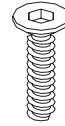


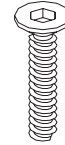
Thank you for purchasing the **Allegro Café Table**. This page lists all the contents included in the box. Please take time to identify the hardware as well as the individual components of this product. As you unpack and prepare for assembly, place the contents on a carpeted or padded area to protect them from damage.

Note: 2 people are required to safely assemble this product.

HARDWARE



12 - short bolts



4 - long bolts



16 - flat washers

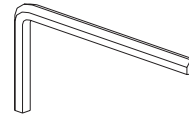


16 - spring washers

Missing hardware?

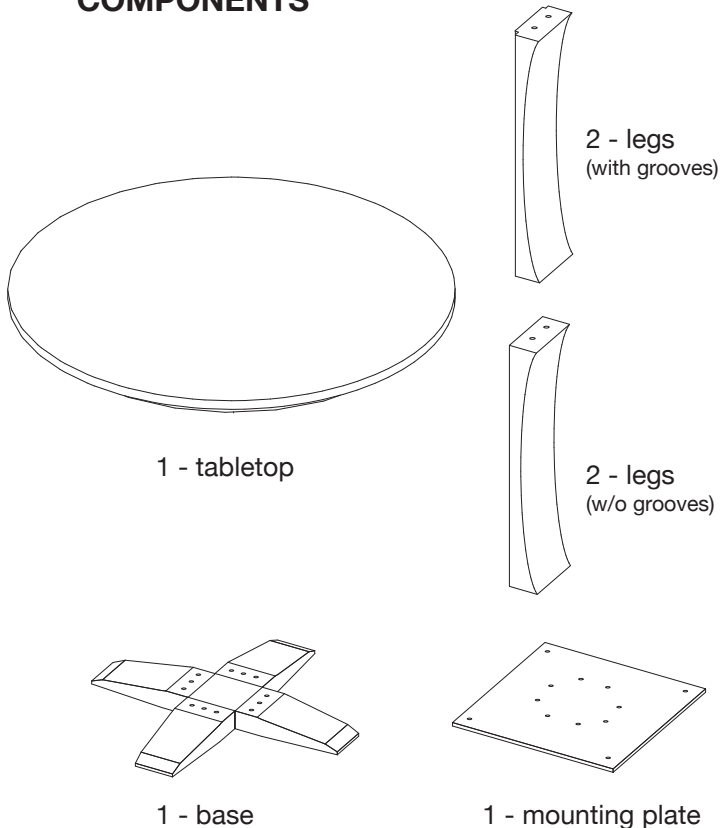
Please call **800.606.6387** for replacements.

TOOLS REQUIRED

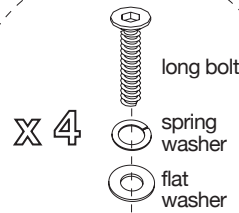


allen wrench (included)

COMPONENTS



NOTE: Do not over tighten bolts

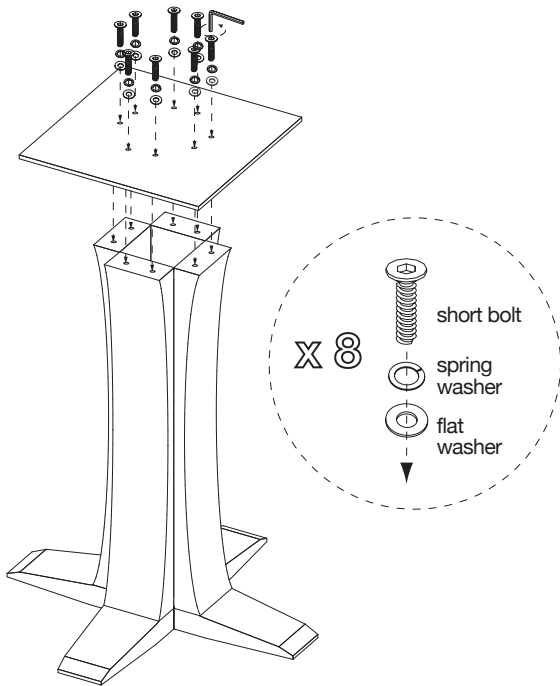


NOTE: Make sure legs with and without grooves are oriented as shown

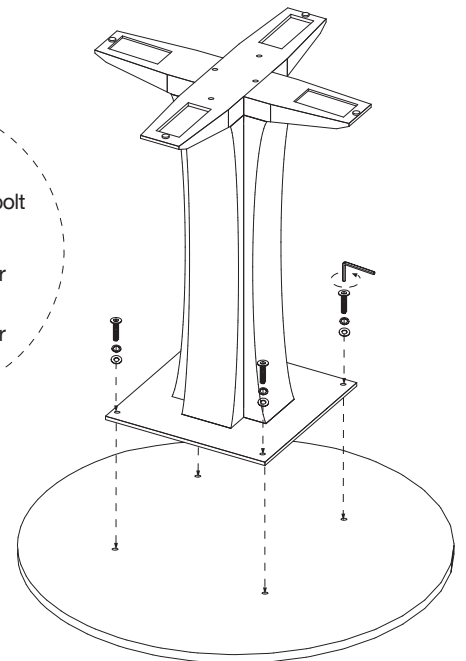
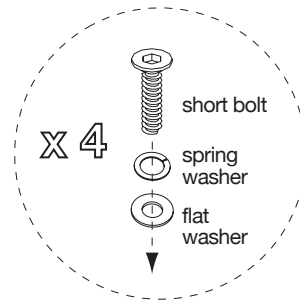
leg without grooves

leg with grooves

- With the assistance of another adult, fit pre-attached dowels of each **leg** into corresponding holes of **base** as shown. Make sure **legs with and without grooves** are oriented as shown. Secure **base** with 4 **long bolts**, 4 **spring washers** and 4 **flat washers** using an **allen wrench** as shown. Do not over tighten bolts.



- ③ With the assistance of another adult, carefully turn assembled unit over and attach **mounting plate** with **8 short bolts**, **8 spring washers** and **8 flat washers** using an allen wrench as shown.



- ④ With the assistance of another adult, place **tabletop** face down onto a clean, padded surface as shown. Turn assembled unit over and attach to tabletop with **4 short bolts**, **4 spring washers** and **4 flat washers** using an allen wrench. Position unit upright. Assembly is now complete.

CLEANING & CARE

Clean surfaces with a dry or damp soft cloth. Do not use abrasive cleaners. Do not use furniture wax or polish as the unit is finished with a protective clear lacquer. It is recommended to use coasters to protect surface from heat and water.