

## HARDWARE



8 - allen head bolts



4 - rubber bumpers

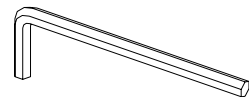


4 - levellers

Missing hardware? Please call **800.606.6387** for replacements.

## TOOLS REQUIRED

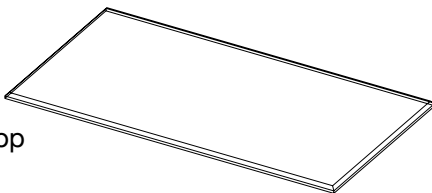
Allen wrench (included)



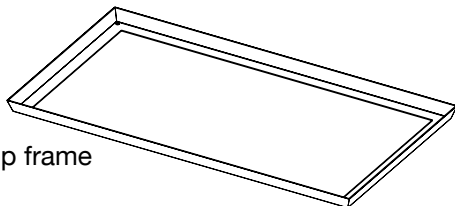
Thank you for purchasing the **Barcelona Coffee Table**. This page lists all the contents included in the box. Please take time to identify the hardware as well as the individual components of this product. As you unpack and prepare for assembly, place the contents on a carpeted or padded area to protect them from damage.

## COMPONENTS

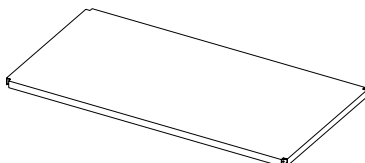
1 - glass top



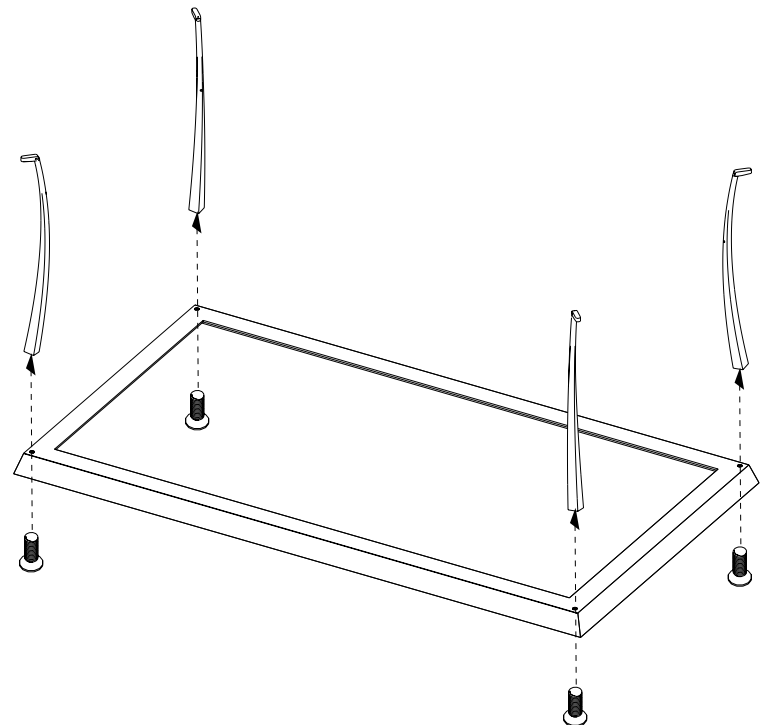
1 - top frame



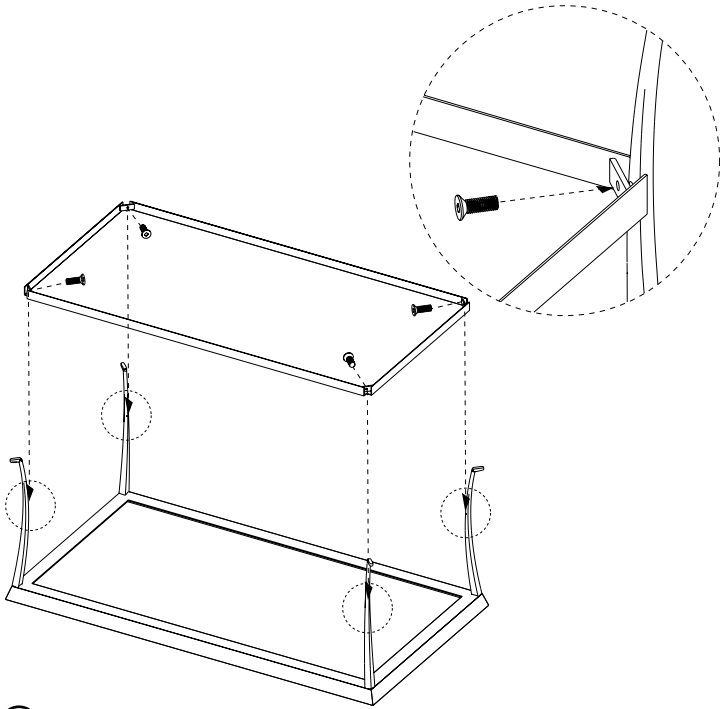
1 - shelf



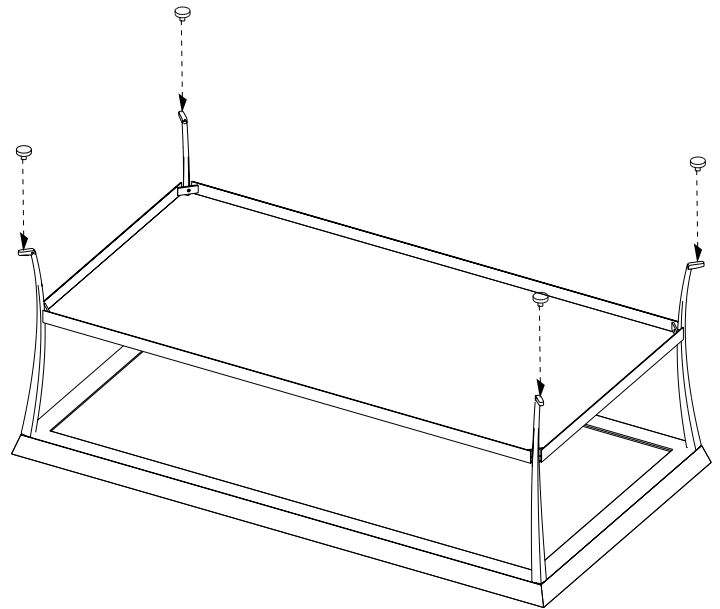
4- legs



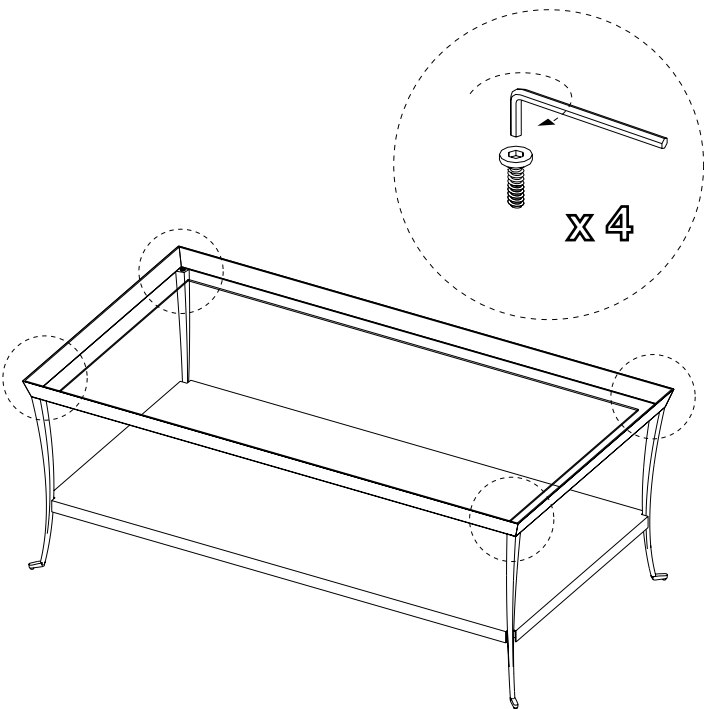
① Place **top frame** upside down. Loosely attach each **leg** by inserting 1 **allen head bolt** through the top frame and into the corresponding hole in the top of each leg. Do not fully tighten.



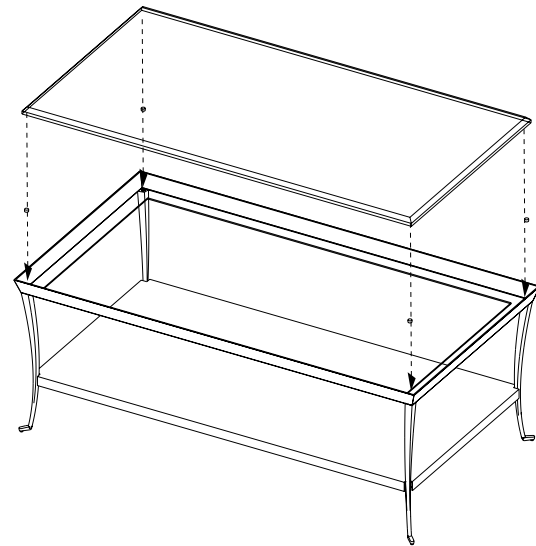
- ② Fit **shelf** into position, aligning holes in shelf corners with holes on legs. Secure with 1 **allen head bolt** per leg and fully tighten each with **allen wrench**.



- ③ Insert 1 **leveller** into threaded hole on the bottom of each leg.



- ④ With the assistance of another adult, place table assembly in an upright position. Fully tighten all 4 allen head bolts in top frame with the allen wrench.



- ⑤ Remove the adhesive backer from 4 **rubber bumpers** and place over each exposed bolt head in the top frame. Fit **glass top** into position. Assembly is now complete.

## CLEANING AND CARE

Clean surfaces with a dry or damp soft cloth. Do not use abrasive cleaners.