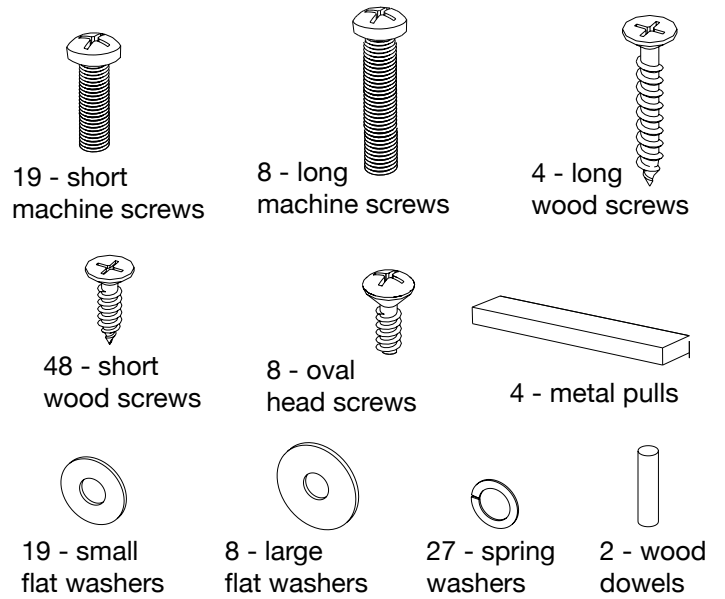


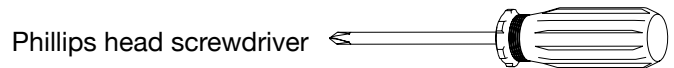


Thank you for purchasing the **Boulevard 4 drawer chest**. This page lists all the contents included in the box. Please take time to identify the hardware as well as the individual components of this product. As you unpack and prepare for assembly, place the contents on a carpeted or padded area to protect them from damage.

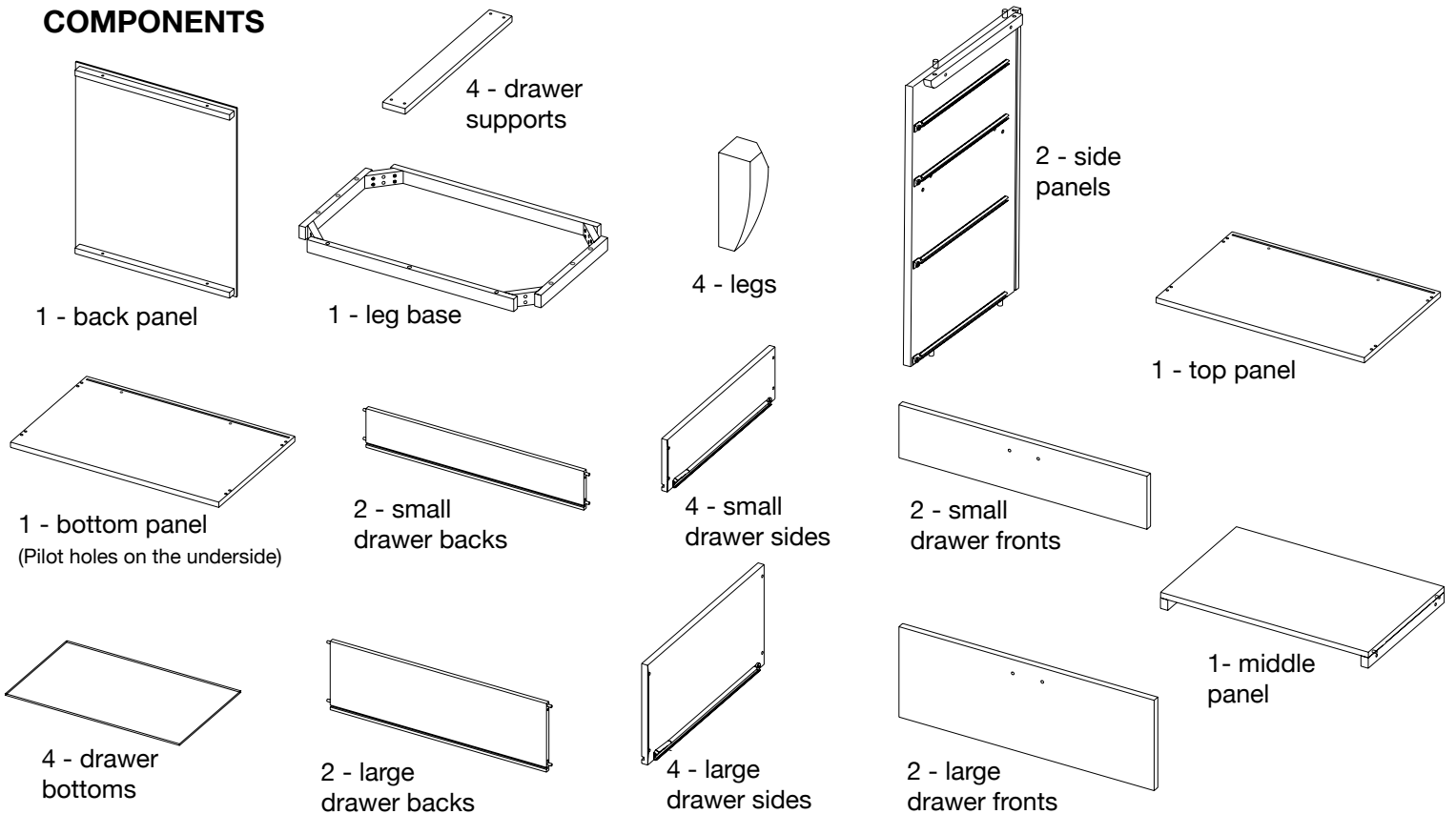
## HARDWARE

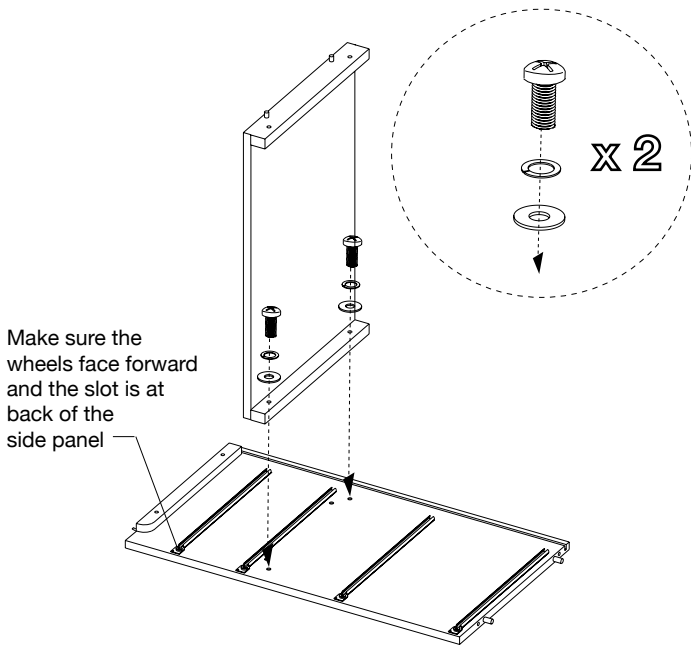


## TOOLS REQUIRED

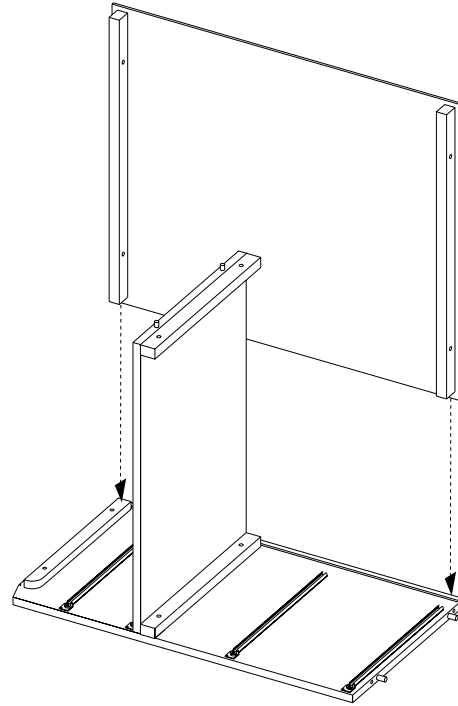


## COMPONENTS

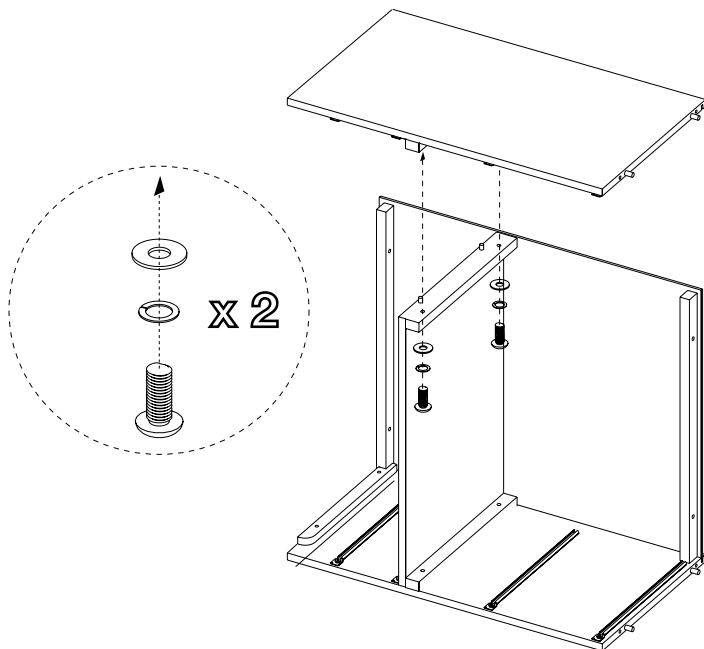




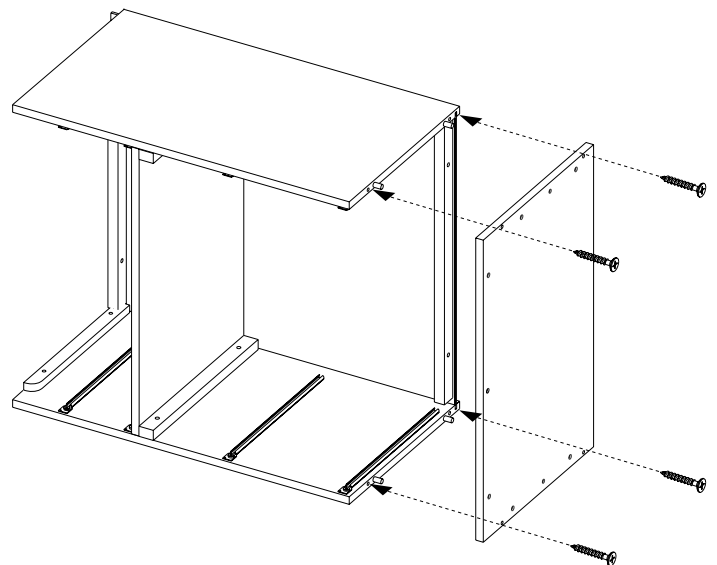
- ① Attach **middle panel** to left **side panel** with 2 **short machine screws**, 2 **spring washers** and 2 **small flat washers**. Tighten with a phillips head screwdriver.



- ② With the assistance of another adult, slide the **back panel** into the slot at the rear of the side panel.

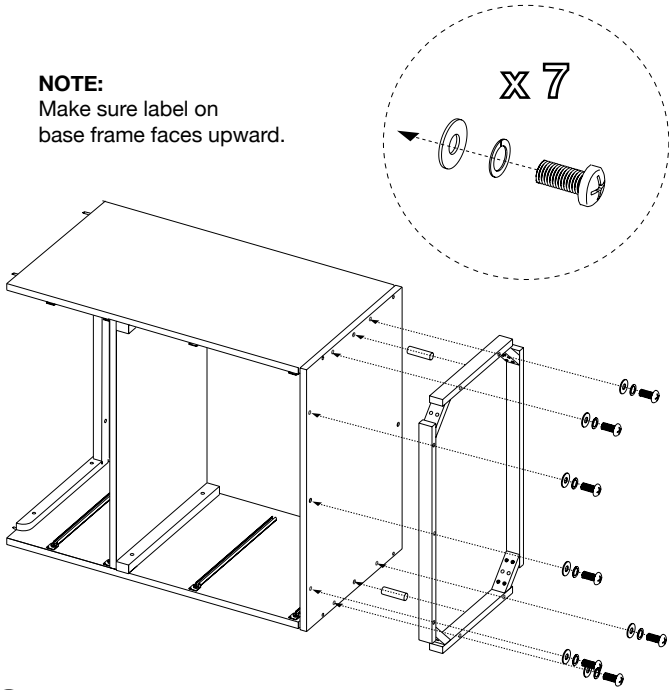


- ③ Fit dowels of middle panel and back panel into corresponding holes and slot in right **side panel**. Secure with 2 **short machine screws**, 2 **split washers** and 2 **small washers**.



- ④ Fit **bottom panel** onto dowels in side panels and bottom of back panel. Secure with 4 **long wood screws**.

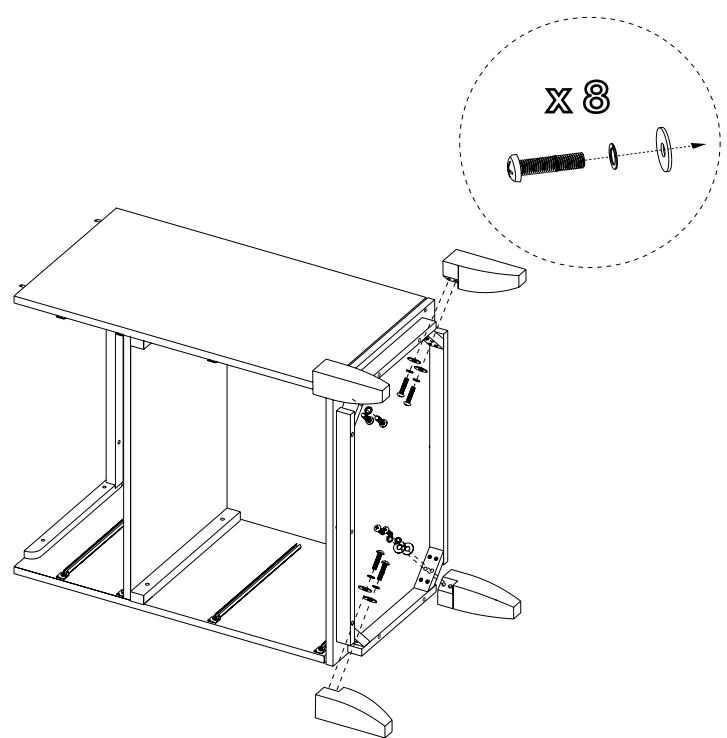
**NOTE:**  
Make sure label on  
base frame faces upward.



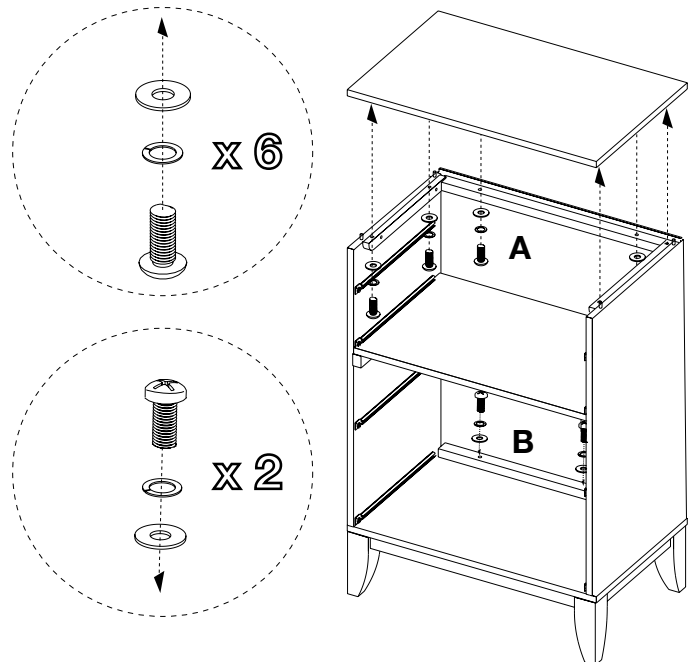
- ⑤ • Insert 2 **wood dowels** into top of **base frame**.  
• Insert 7 **short machine screws**, 7 **spring washers** and 7 **small flat washers** through the holes in base frame and align with threaded holes in the underside of the the bottom panel. Secure screws with a screwdriver.



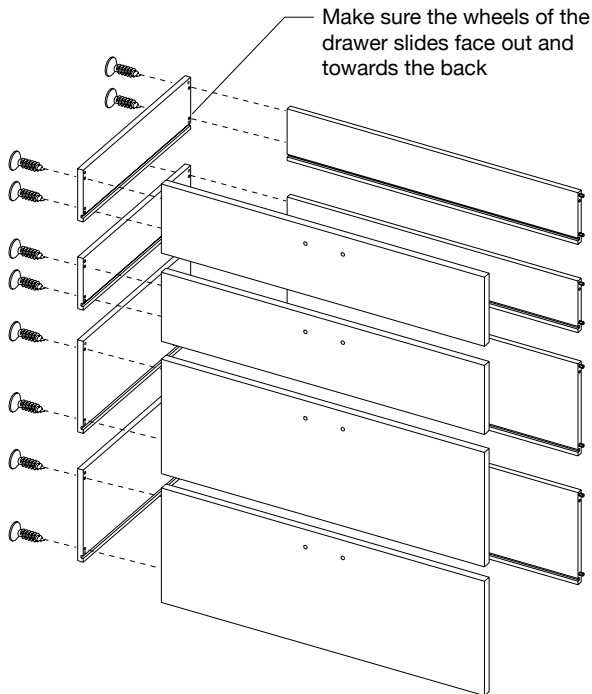
- ⑦ With the assistance of another adult, place the case assembly in an upright position.



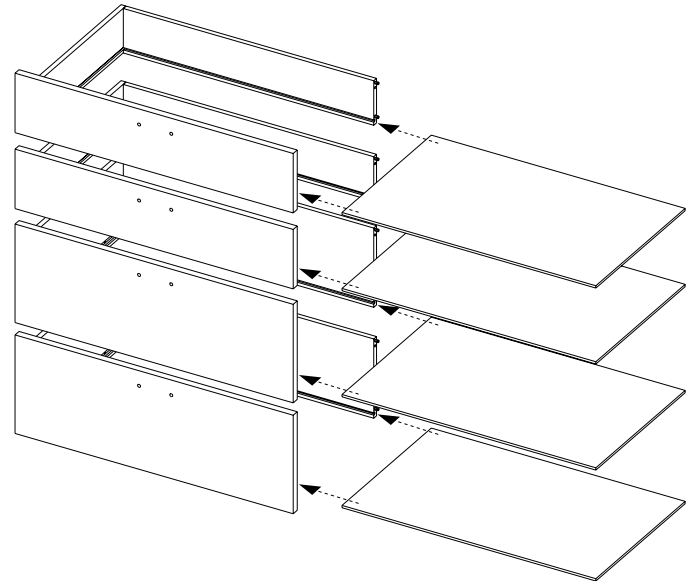
- ⑥ Secure 4 **legs** to base frame with 8 **long machine screws**, 8 **spring washers** and 8 **large flat washers**.



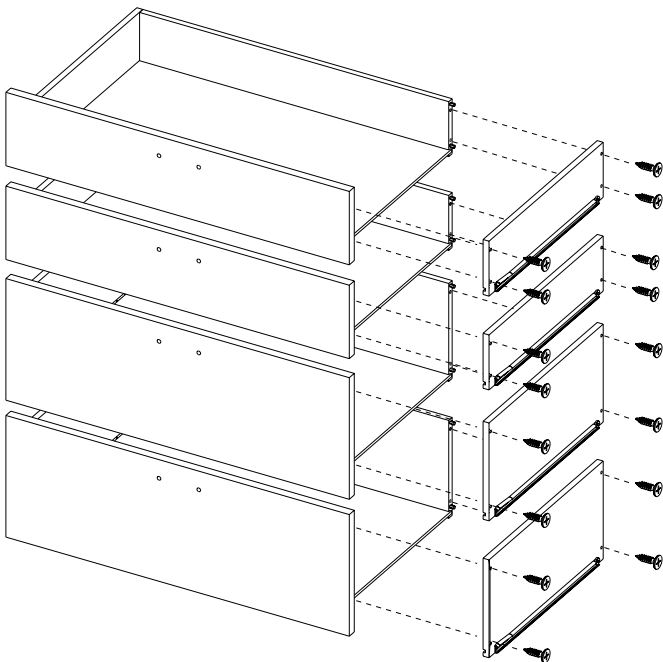
- ⑧ • Place **top panel** into position, fitting dowels in side panels into corresponding holes in the top. Secure top with 6 **short machine screws**, 6 **spring washers**, and 6 **small flat washers**.  
• Secure back panel to bottom with 2 **short machine screws**, 2 **spring washers** and 2 **small flat washers**.



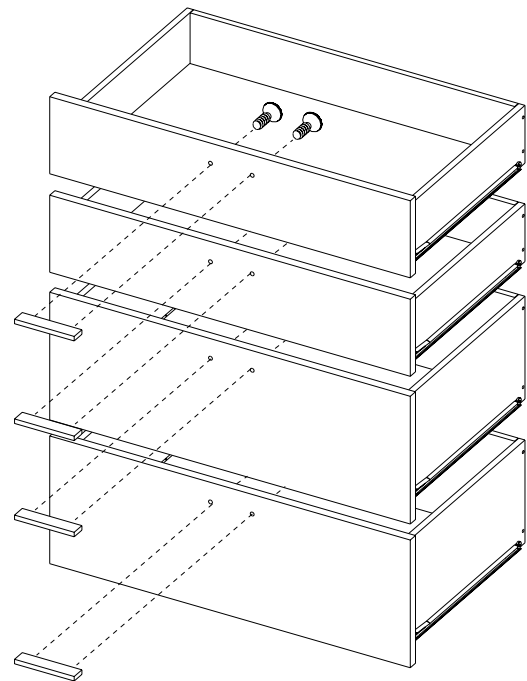
- ⑨ Using 4 **short wood screws** per panel, attach the **small and large drawer sides** to the **small and large front and backs**.



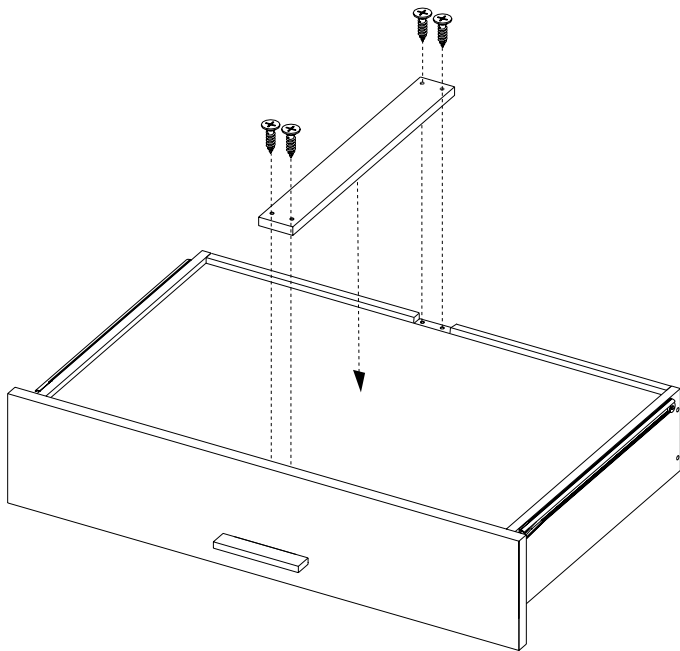
- ⑩ Slide 4 **drawer bottoms** into the slots at the base of the drawer side, front and back panels.



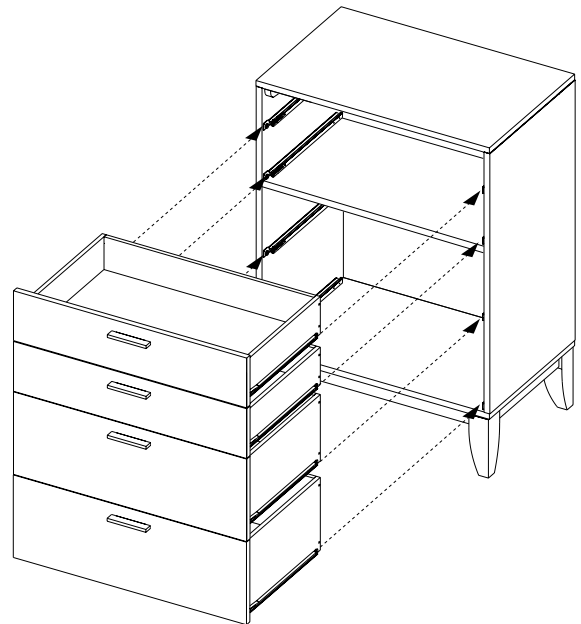
- ⑪ Fit the remaining **small and large drawer side panels** into position, securing with 4 **short wood screws** per panel.



- ⑫ Attach metal pulls to the **small and large drawer faces** using 2 **oval head screws** per drawer.



- ⑬ Turn all the drawers upside down. Attach 1 **drawer support** to the bottom of each drawer with 4 **short wood screws**. Repeat for the remaining 3 drawers.



- ⑭ Insert drawers into the case, fitting wheels on drawer assemblies into the metal tracks of the case drawer slides. Assembly is now complete.



- ⑮ Assembly is now complete.

## CLEANING AND CARE

Clean wood surfaces with a damp cloth. Do not use furniture wax or polish as the wood is finished with a protective clear lacquer.