

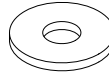


Thank you for purchasing the **Calais 49" round table**. This page lists all the contents included in the box. Please take time to identify the hardware as well as the individual components of this product. As you unpack and prepare for assembly, place the contents on a carpeted or padded area to protect them from damage.

HARDWARE



8 - nut



24 - washer



24 - cap



1 - center hole cap

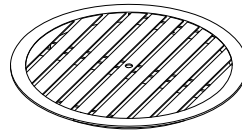


8 - short bolt

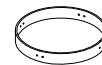


8 - long bolt

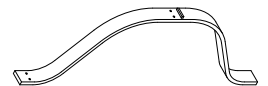
COMPONENTS



1 - table top



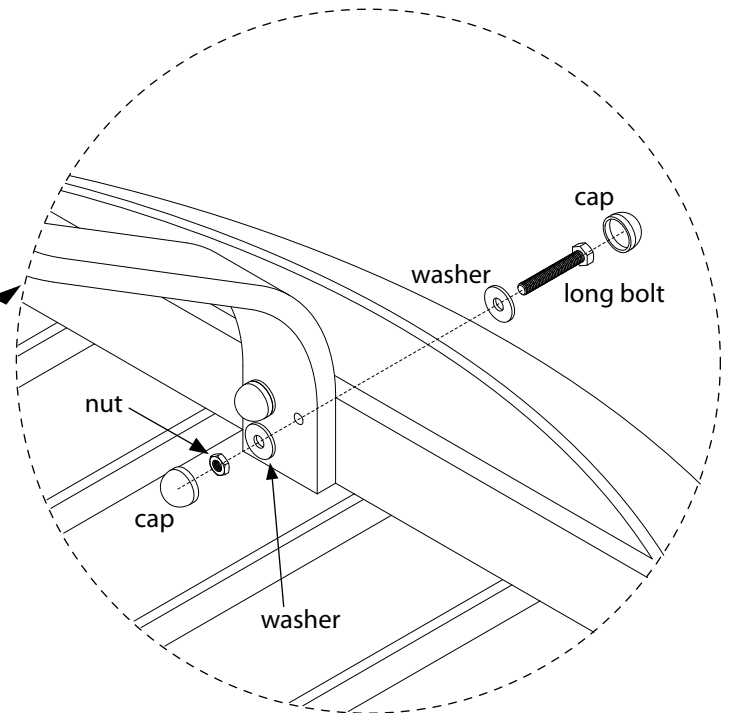
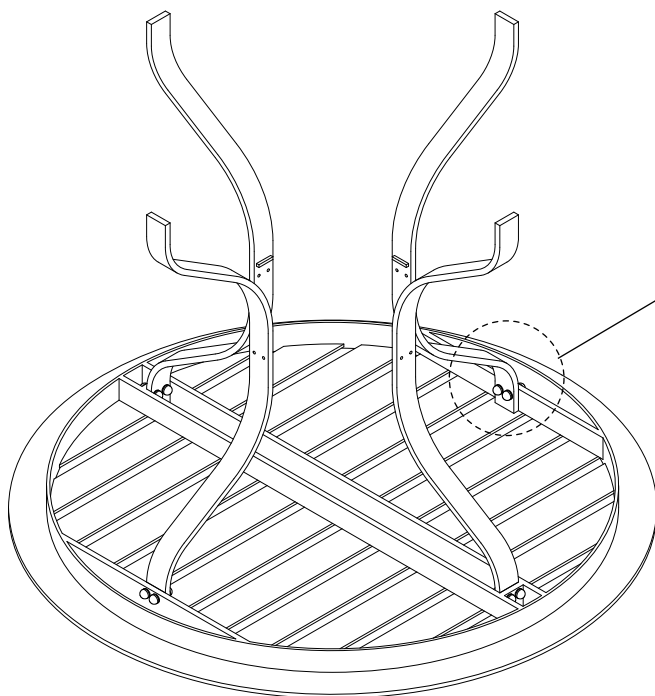
1 - center connector



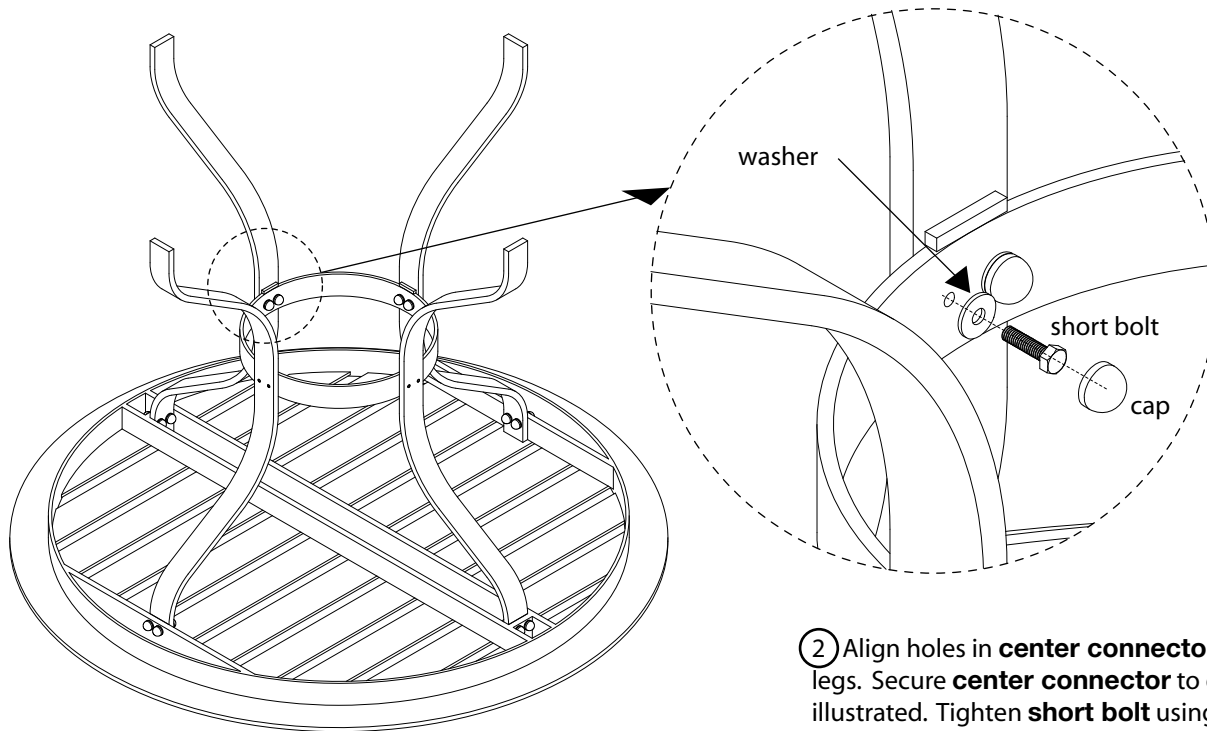
4 - leg

TOOLS REQUIRED

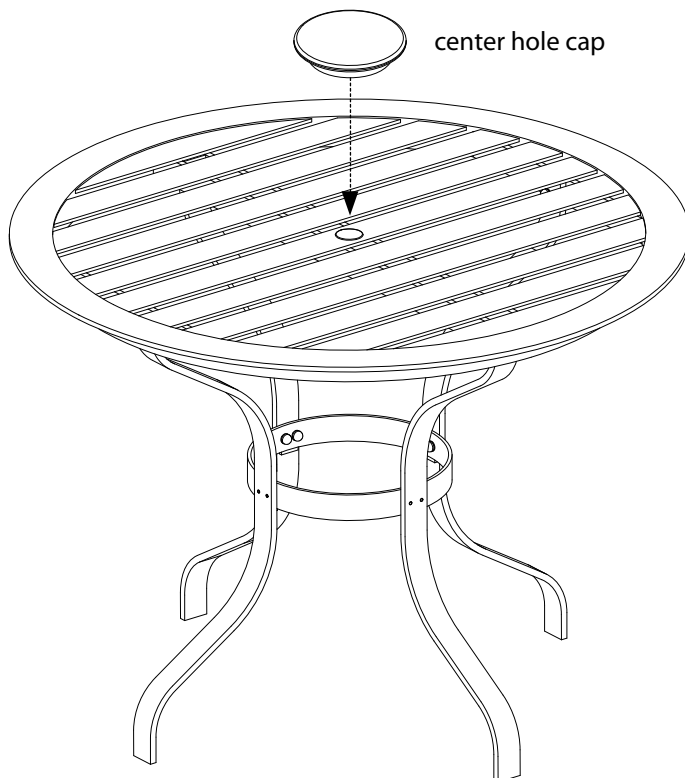
2 - nut wrench (provided)



① Place **table top** upside down on a clean, padded surface. Attach each **leg** by inserting the hardware as illustrated through each of the two holes. Secure assembly by tightening **bolt** and **nut** using wrenches on both sides of the leg.



- ② Align holes in **center connector** with holes in legs. Secure **center connector** to each **leg** as illustrated. Tighten **short bolt** using wrench.



- ③ With the assistance of another adult, place the table upright. Insert **center hole cap** into center hole on table top. Assembly is complete.