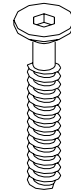
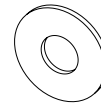


Thank you for purchasing the **Carson Extension Dining Table**. This page lists all the contents included in the box. Please take time to identify the hardware as well as the individual components of this product. As you unpack and prepare for assembly, place the contents on a carpeted or padded area to protect them from damage. **Note:** 2 people are required to safely assembly this product.

HARDWARE



8 - bolts



8 - flat washers



8 - spring washers

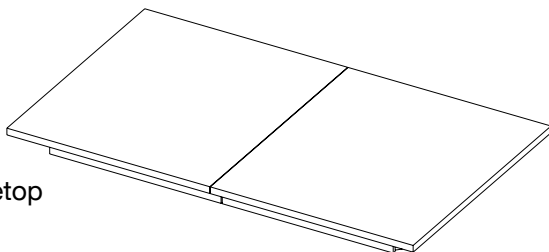
Missing hardware? Please call **800.606.6387** for replacements.

TOOLS REQUIRED

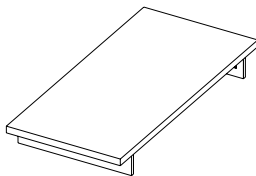
Allen Wrench (included)



COMPONENTS



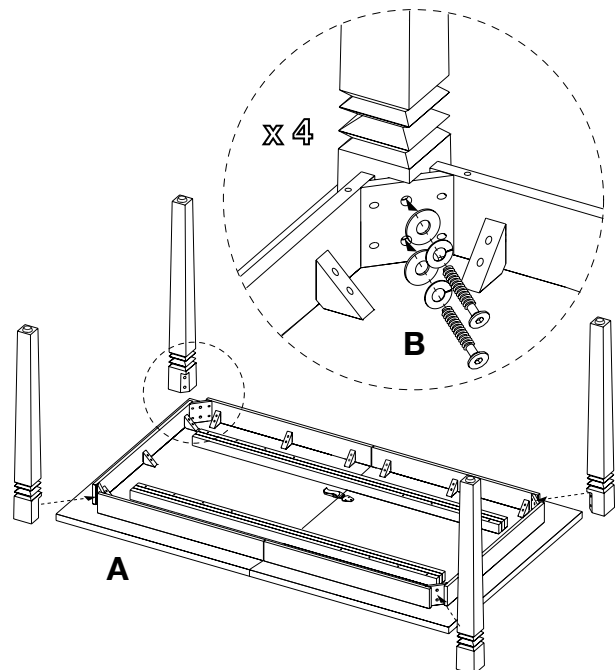
1 - tabletop



1 - extension leaf

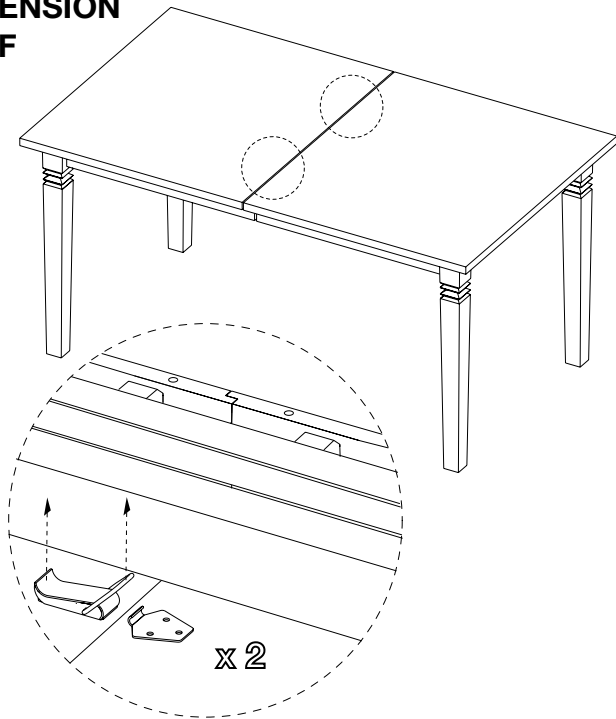


4 - legs

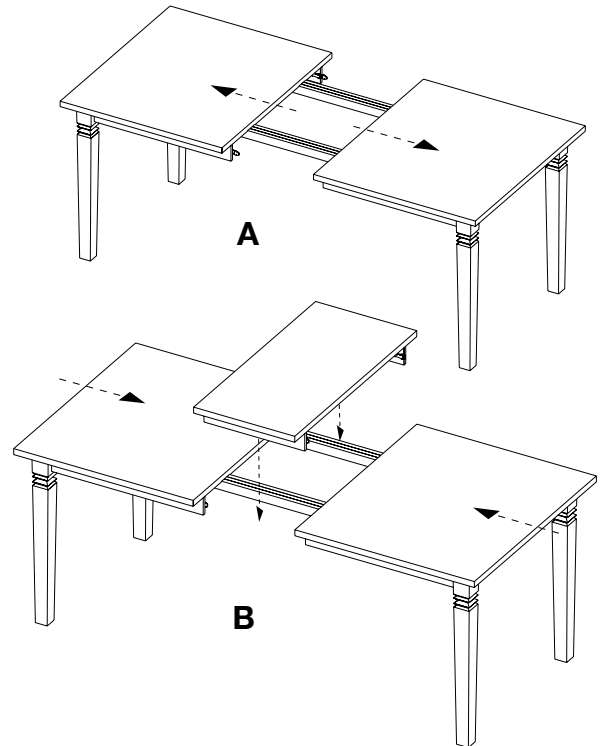


- ① A. With the assistance of another adult, lay **tabletop** upside down on a clean, padded surface.
- B. Fit 4 **legs** into position, aligning holes in legs with holes in corner blocks of the tabletop. Insert 1 **bolt**, 1 **split washer** and 1 **flat washer** through corner brace and into leg. Repeat for remaining 3 legs and fully tighten all bolts with the **allen wrench** provided.

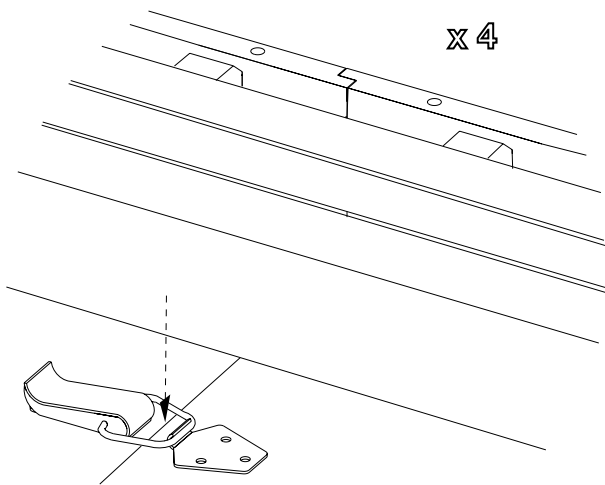
EXTENSION LEAF



- ② Place table in an upright position. Locate clasps on underside of tabletop and unlock as shown.



- ③ A. Open tabletop by pulling from both ends to expose support rails.
B. Place **leaf** into position and slide tabletop closed.



- ④ Complete assembly by relating the 4 clasps that connect the tabletop to the leaf.

CLEANING AND CARE

Clean surfaces with a dry or damp soft cloth. Do not use abrasive cleaners. Do not use furniture wax or polish as the wood is finished with a protective clear lacquer.