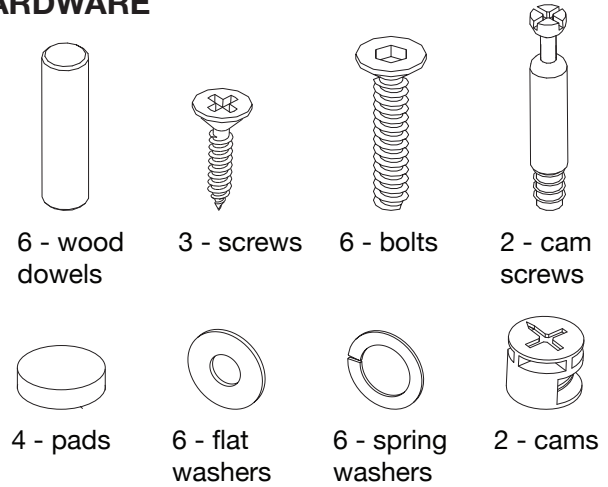


Thank you for purchasing the **Drake Desk**. This page lists all the contents included in the box. Please take time to identify the hardware as well as the individual components of this product. As you unpack and prepare for assembly, place the contents on a carpeted or padded area to protect them from damage.

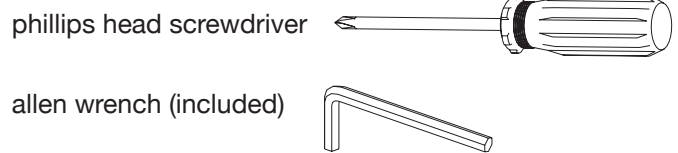
Note: 2 people are required to safely assemble this product.

## HARDWARE



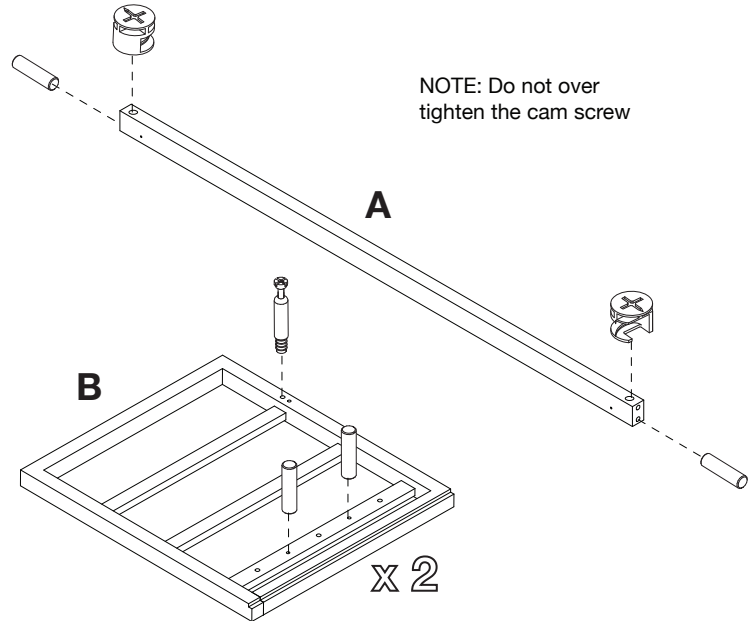
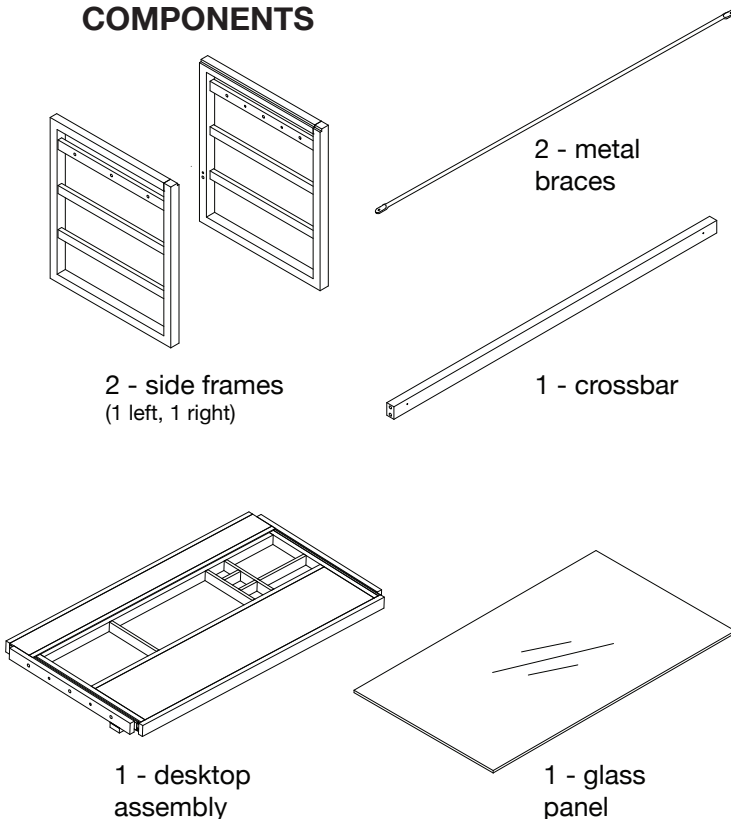
Missing hardware? Please call **800.606.6387** for replacements.

## TOOLS REQUIRED

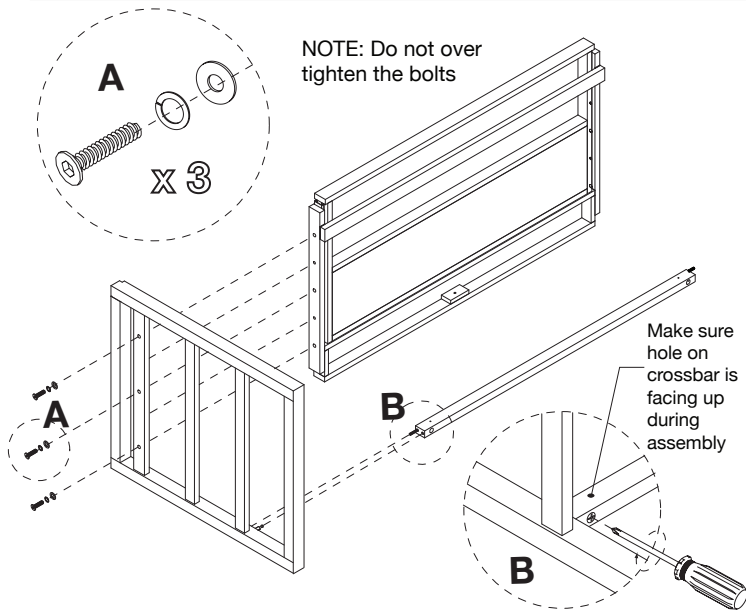


(We recommend the use of hand tools instead of power tools)

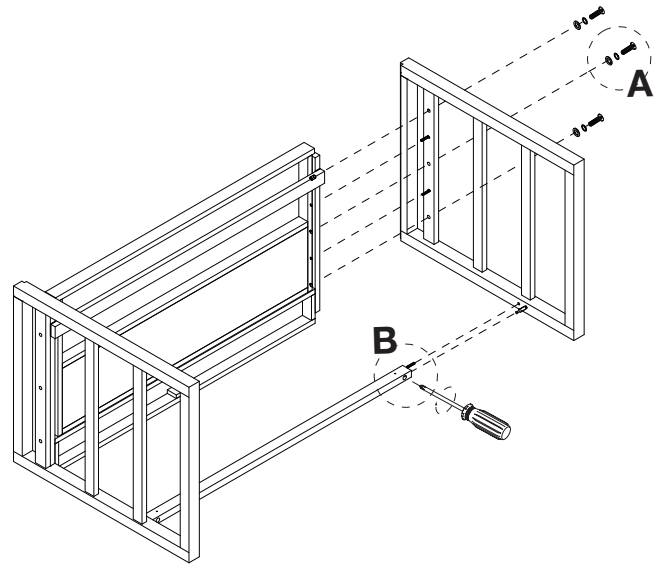
## COMPONENTS



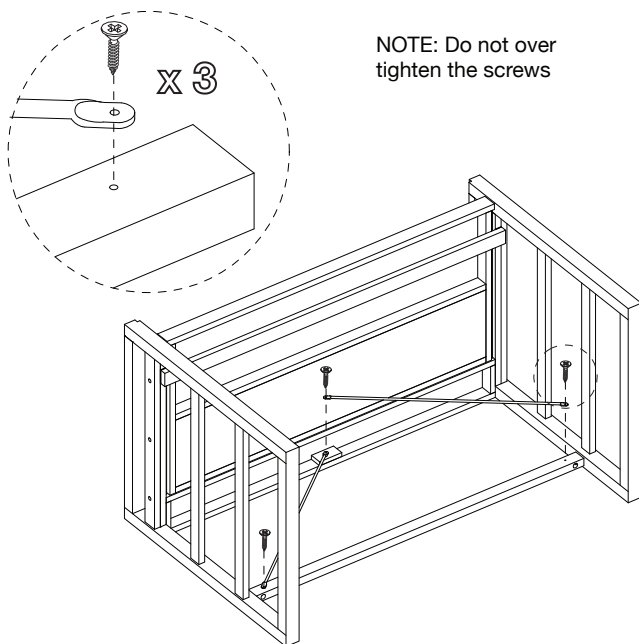
- 1) A) Insert 2 **cams** and 2 **wood dowels** into **crossbar** as shown. Make sure arrows on each cam points toward nearest edge with holes.  
B) Insert 1 **cam screw** and 2 **wood dowels** into **left and right side panels**. Secure cam screws, but do not over tighten, with a **Phillips head screwdriver**.



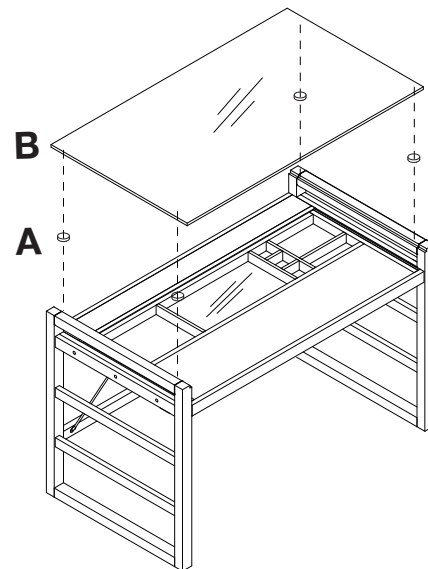
- ② A) With assistance of another adult, fit dowels of **left side panel** into **desktop** as shown. Secure with 3 **bolts**, 3 **spring washers** and 3 **flat washers**, using an **allen wrench**. Do not over tighten the bolts.  
 B) Fit dowel of **crossbar** into **left side panel** as shown. Using a screwdriver, turn **cam** clockwise until it securely engages **cam screw**.



- ③ A) Fit dowels of **right side panel** into **desktop** as shown. Secure with 3 **bolts**, 3 **spring washers** and 3 **flat washers**, using an **allen wrench**.  
 B) Fit dowel of **crossbar** into **right side panel** as shown. Secure **cam**.



- ④ Attach 2 **metal braces** to desk assembly as shown with 3 **screws**. Secure, but do not over tighten, with a screwdriver. With the assistance of another adult, position unit upright.



- ⑤ A) Adhere 4 **pads** to each corner of desk assembly as shown.  
 B) With the assistance of another adult, carefully place glass top onto desk assembly. Make sure **glass top** is securely supported by pads.  
 Assembly is now complete.

### CLEANING & CARE

Clean surfaces with a dry or damp soft cloth. Do not use abrasive cleaners. Do not use furniture wax or polish as the unit is finished with a protective clear lacquer.