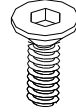


Thank you for purchasing the **Galerie Side Table**. This page lists all the contents included in the box. Please take time to identify the hardware as well as the individual components of this product. As you unpack and prepare for assembly, place the contents on a carpeted or padded area to protect them from damage.  
Note: 2 people are required to safely assemble this product.

## HARDWARE



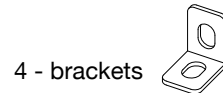
8 - short bolts



8 - long bolts



8 - washers

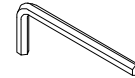


4 - brackets

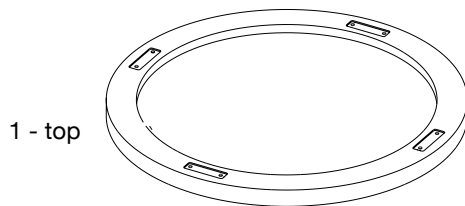
Missing hardware? Please call **800.606.6387** for replacements.

## TOOLS REQUIRED

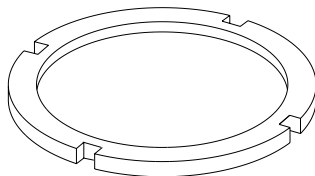
Allen wrench (included)



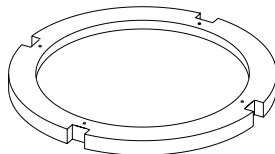
## COMPONENTS



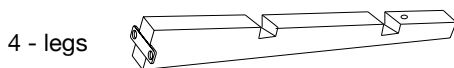
1 - top



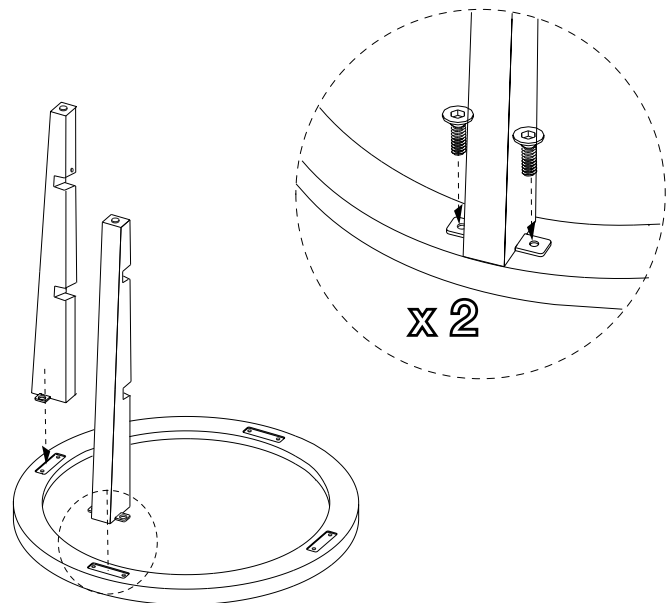
1 - middle shelf



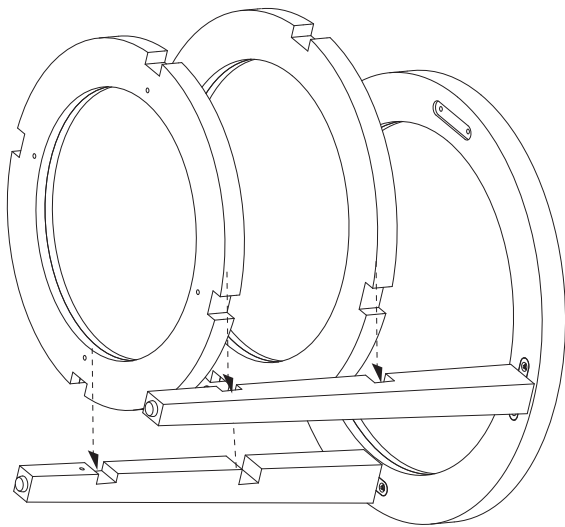
1 - bottom shelf



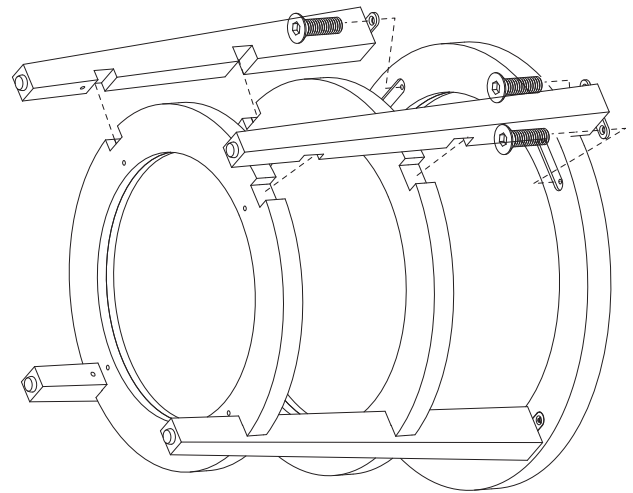
4 - legs



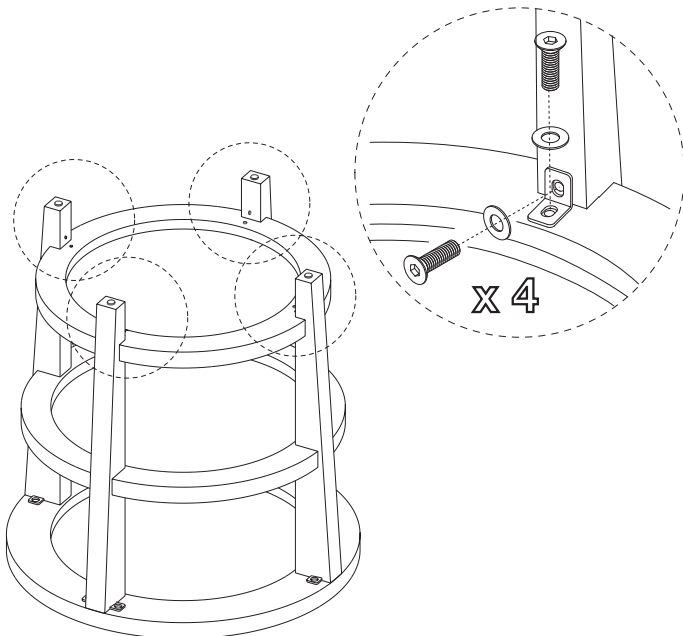
① Place **top** face down on a padded surface. Position 2 **legs** as shown, fitting metal brackets into corresponding holes. Loosely attach with 2 **short bolts** per leg. Do not fully tighten the bolts.



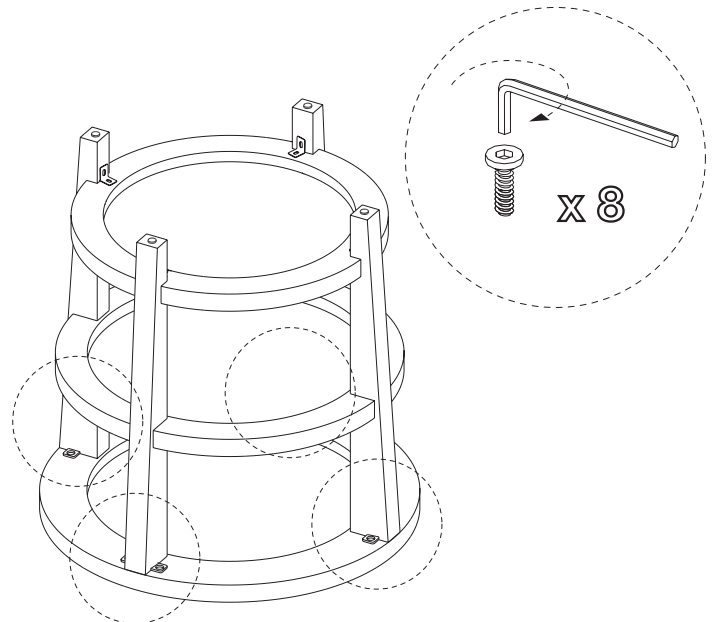
- ② Turn top assembly on its side. Fit slots of **middle shelf and bottom shelf** into corresponding slots on legs as shown.



- ③ Attach remaining 2 **legs** as shown, fitting leg slots into corresponding slots in shelves. Loosely attach each leg to top with 2 **short bolts**. Do not fully tighten the bolts.



- ④ With the assistance of another adult, turn table assembly upside down. Attach 1 **bracket** at each leg and bottom shelf intersection. Secure each with 2 **long bolts** and 2 **washers**. Fully tighten with the **allen wrench**.



- ⑤ Fully tighten all 8 **short bolts** with the **allen wrench**. With the assistance of another adult, lift assembled unit into an upright position. Assembly is now complete.

## CARE & CLEANING

Clean surfaces with a dry or damp soft cloth. Do not use abrasive cleaners. Do not use furniture wax or polish as the wood is finished with a protective clear lacquer.