

Thank you for purchasing the Galerie Spirits Cabinet. This page lists all the contents included in the box. Please take the time to identify the hardware as well as the individual components to this product. As you unpack and prepare for assembly, place the contents on a carpeted or padded area to protect them from damage.

Note: 2 people are required to safely assemble this product.

HARDWARE



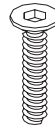
8 - wood dowels



12 - flat washers



3 - screws



12 - bolts



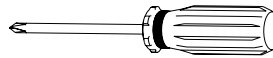
3 - pulls



8 - shelf pins

Missing hardware?
Please call **800.606.6387** for replacements.

TOOLS REQUIRED



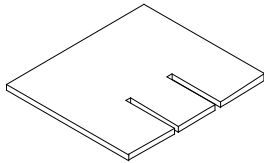
phillips head screwdriver



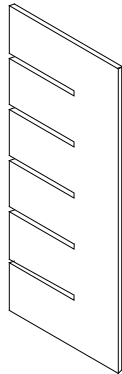
allen wrench (included)

We recommend the use of hand tools instead of power tools.

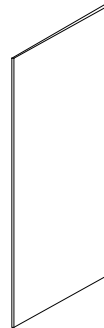
COMPONENTS



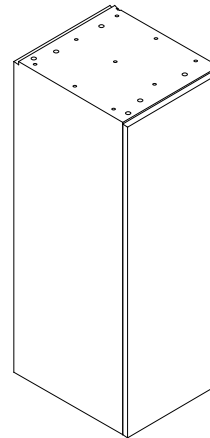
5 - horizontal bottle panels



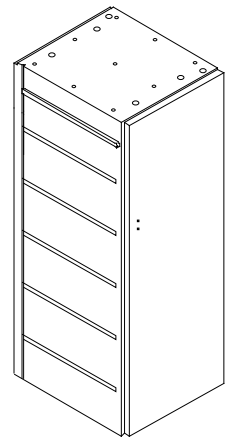
2 - vertical bottle panels



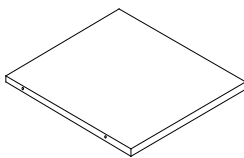
1 - back panel



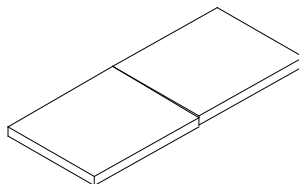
1 - left cabinet



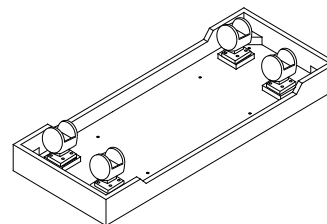
1 - right cabinet



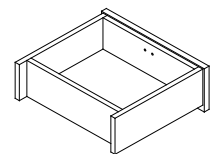
2 - adjustable shelves



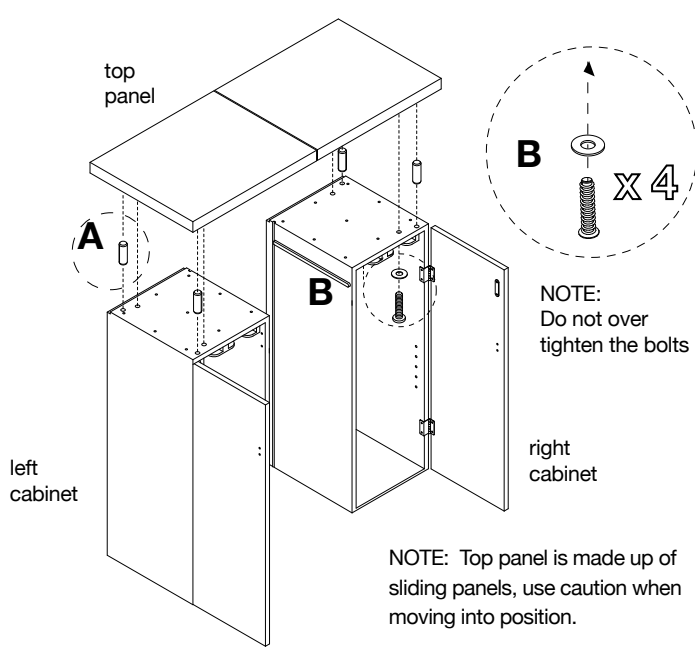
1 - top panel



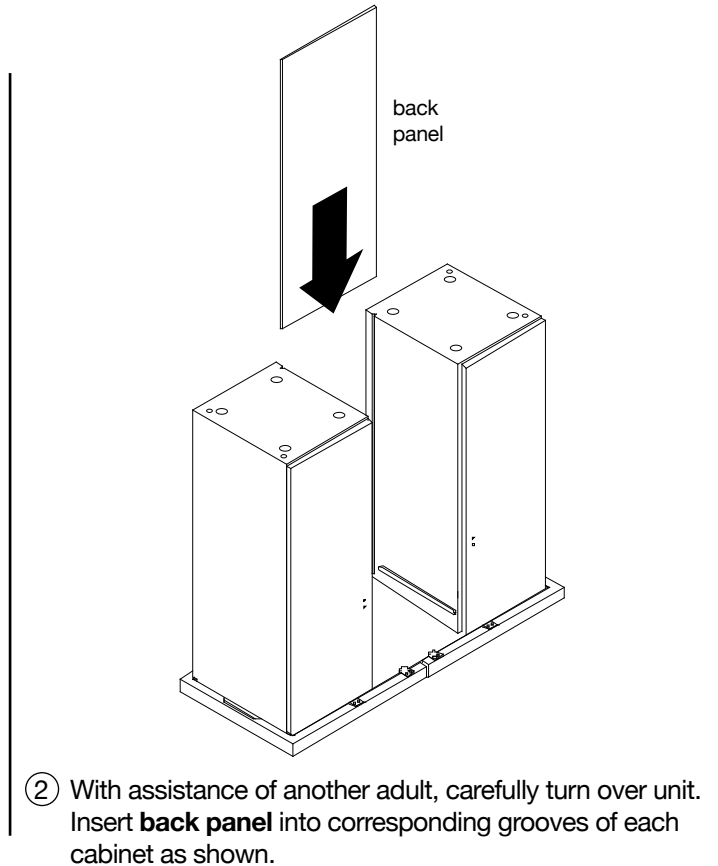
1 - base panel



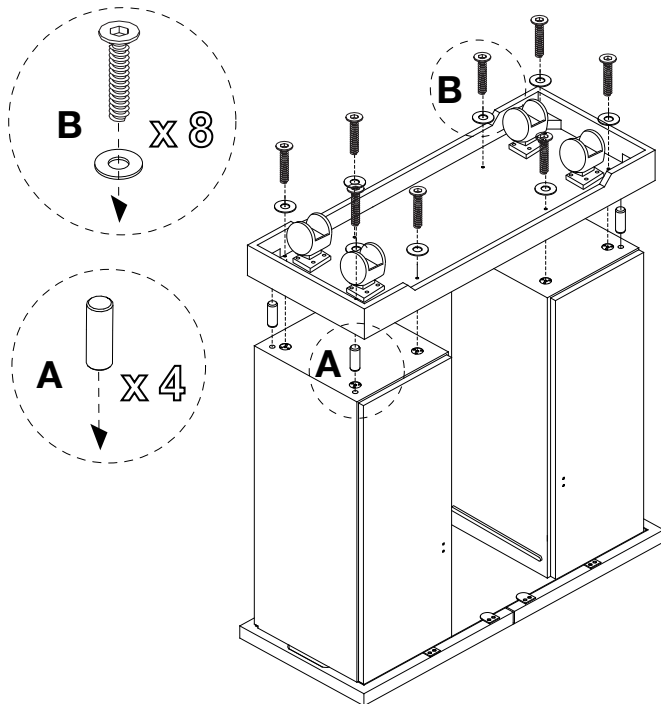
1 - drawer



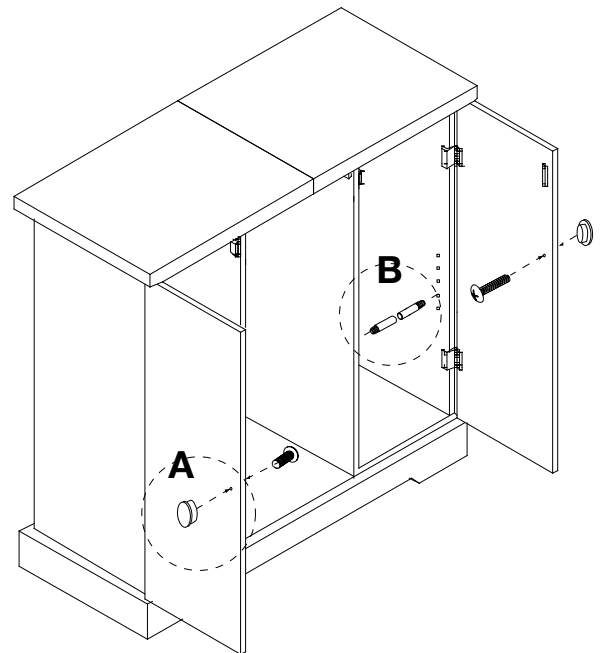
- ① A) Insert 2 **wood dowels** into each cabinet as shown. With the assistance of another adult, fit holes of **top panel** into corresponding dowels of each cabinet as shown.
- B) Attach **top panel** with 2 **bolts** and 2 **flat washers** from the inside of each cabinet as shown. Secure bolts with the **allen wrench**.



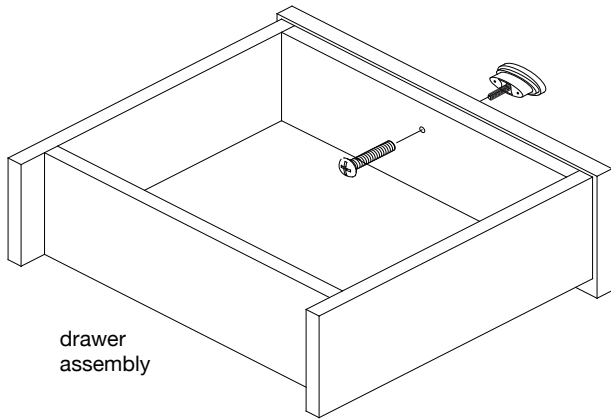
- ② With assistance of another adult, carefully turn over unit. Insert **back panel** into corresponding grooves of each cabinet as shown.



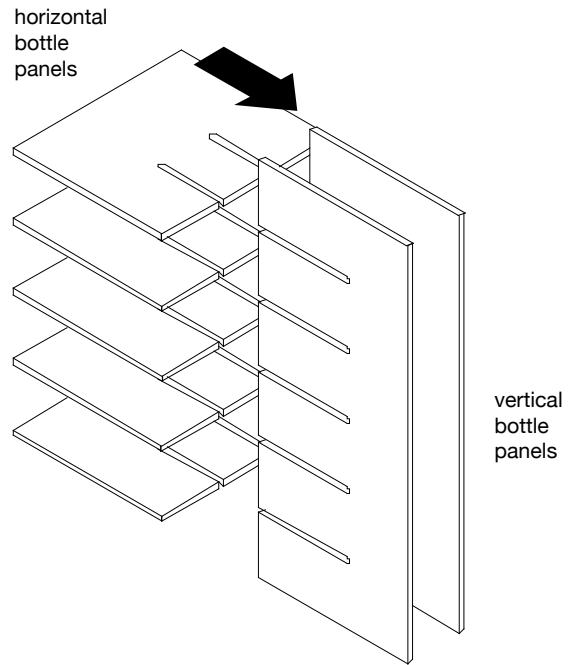
- ③ A) Insert 2 **wood dowels** into bottom of each cabinet as shown.
- B) Fit holes of **base panel** into corresponding dowels of cabinets as shown. Attach with 8 **bolts** and **flat washers** as shown.



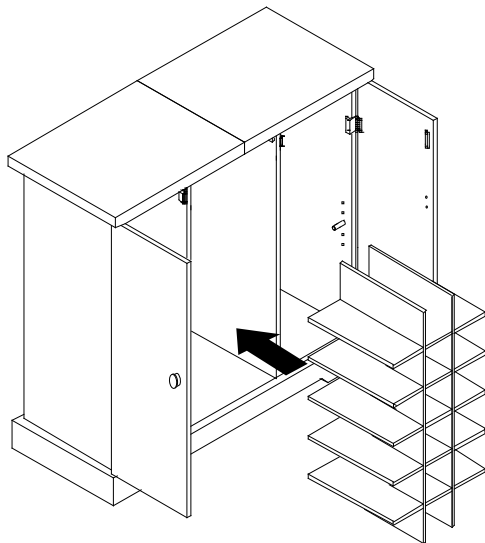
- ④ A) With the assistance of another adult, carefully position unit upright. Attach 1 **pull** to each door with 1 **screw** as shown. Secure screws with a **Phillips head screwdriver**.
- B) Insert 8 **shelf pins** at desired shelf height as shown. Turn each pin clockwise to secure.



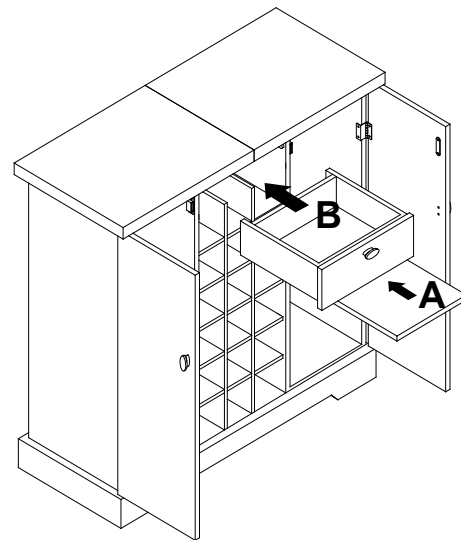
- ⑤ Attach 1 **pull** to **drawer** front with 1 **screw** as shown.



- ⑥ Assembly bottle grid by interlocking 5 **horizontal bottle panels** and 2 **vertical bottle panels** as shown.



- ⑦ Fit assembled bottle grid into cabinet assembly as shown.



- ⑧ A) Insert 2 **adjustable shelves** into assembly as shown. Make sure each shelf is securely supported by each pre-assembled shelf pin.
 B) Fit drawer glide wheels over wheels on the cabinet glides and push in while lifting slightly. Assembly is now complete.

CLEANING AND CARE Clean surfaces with a dry or damp soft cloth. Do not use abrasive cleaners. Do not use furniture wax or polish as the wood is finished with a protective clear lacquer. It is recommended to use coasters to protect against heat and water.