

Thank you for purchasing the **Havana Side Table**. This page lists all the contents included in the box. Please take time to identify the hardware as well as the individual components of this product. As you unpack and prepare for assembly, place the contents on a carpeted or padded area to protect them from damage. Note: 2 people are required to safely assemble this product.

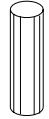
HARDWARE



4 - round head screws



8 - flat head screws

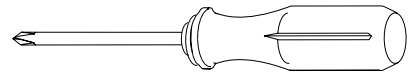


2 - wood dowels

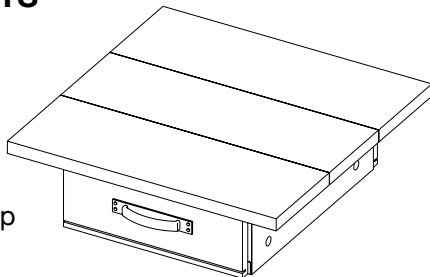
Missing hardware? Please call **800.606.6387** for replacements.

TOOLS REQUIRED

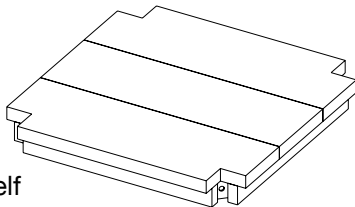
Phillips head screwdriver (included)



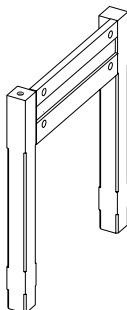
COMPONENTS



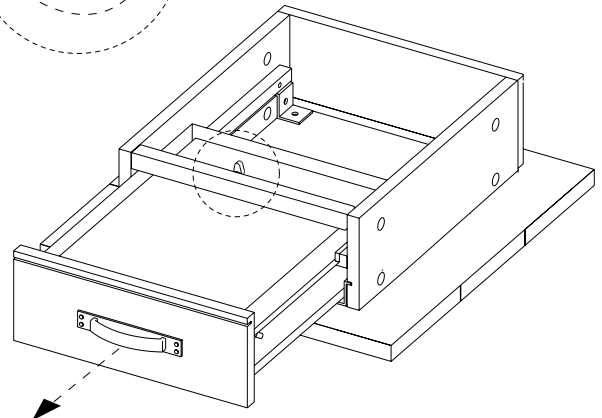
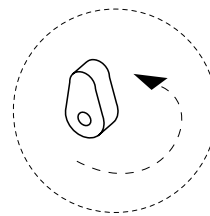
1 - table top assembly



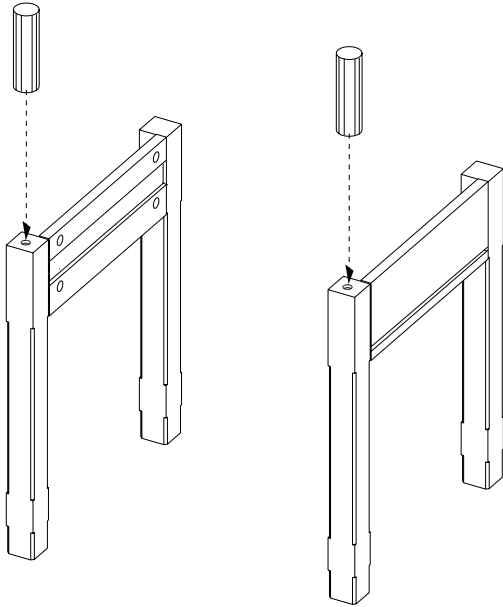
1 - shelf



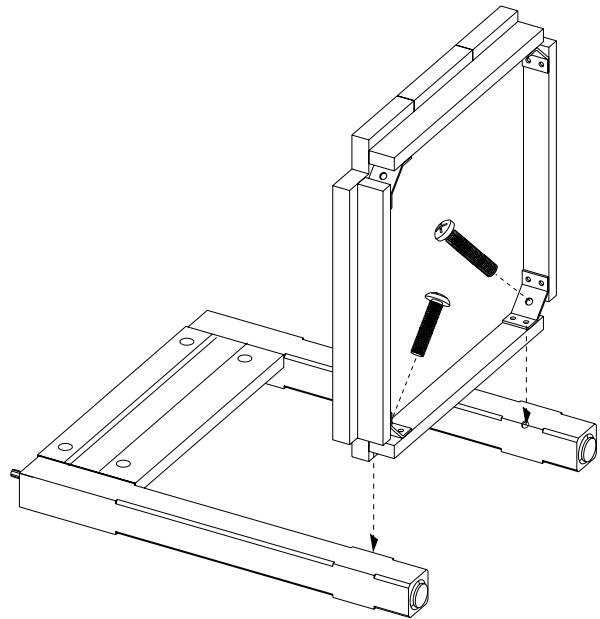
2 - leg frames
(1 left, 1 right)



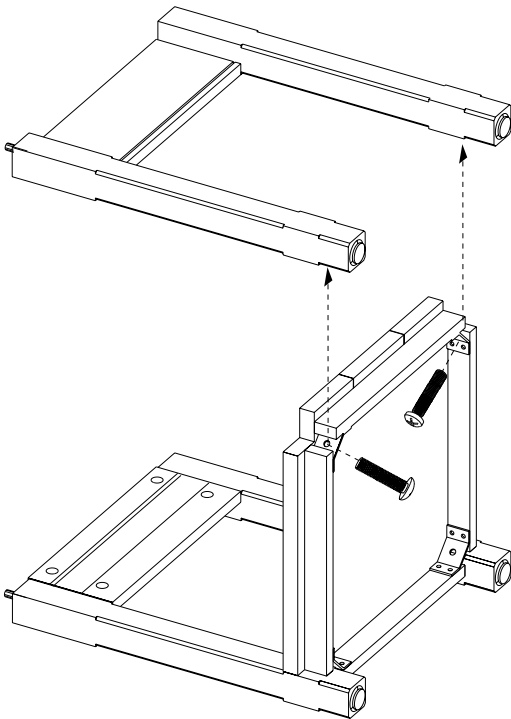
- 1 Place **tabletop assembly** upside down on a padded surface. Remove drawer by pivoting drawer stop into an upright position as illustrated. Slide drawer out and set aside.



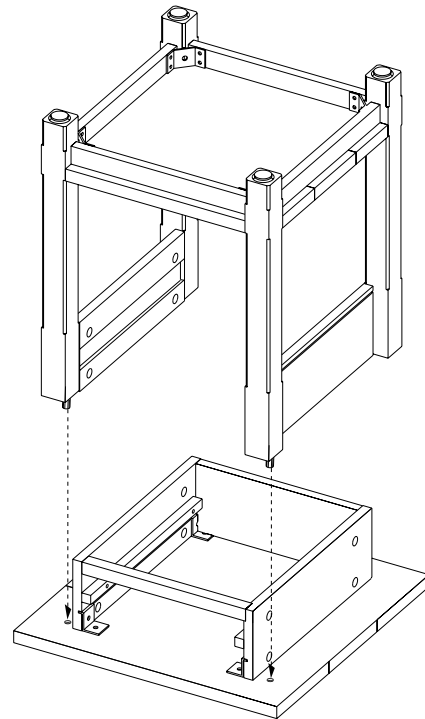
- ② Insert 1 **wood dowel** in the **right** and **left leg frames** as shown.



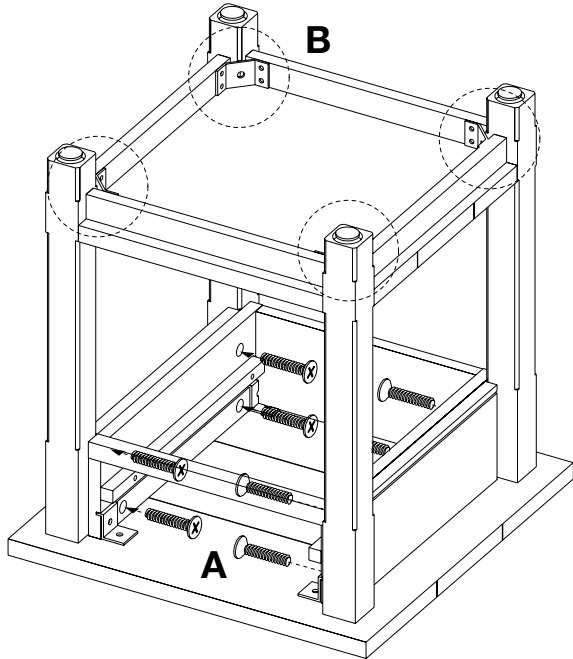
- ③ Place **shelf** into position, aligning holes in metal corner brackets with holes in **left leg frame**. Loosely attach 2 **round head screws** through brackets and into the legs. Do not fully tighten screws.



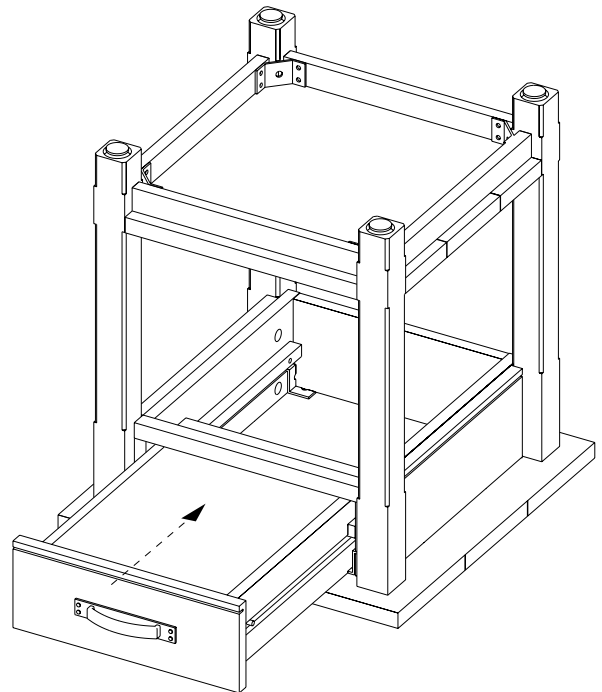
- ④ Fit **right leg frame** into position and loosely attach with 2 **round head screws**. Do not fully tighten the screws.



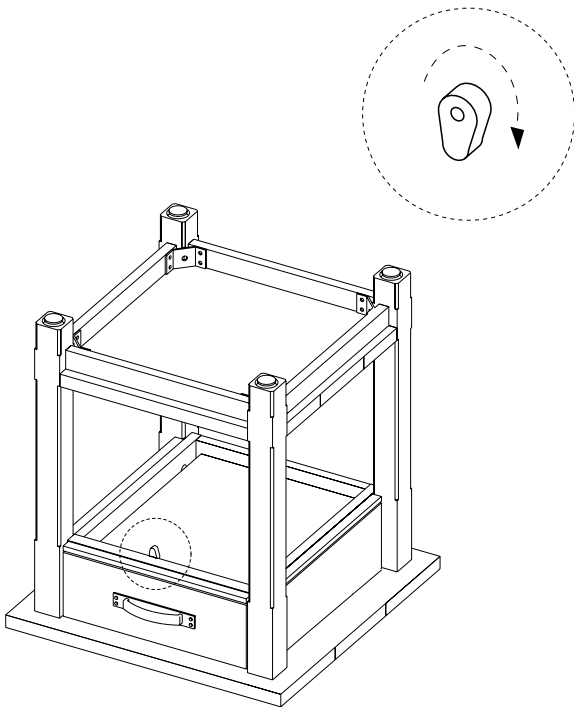
- ⑤ Align wood dowels of **leg frames** with corresponding holes in the table top and fit into position.



- ⑥ A. Secure leg frames with 4 **flat head screws** per leg frame. Fully tighten each bolt with a **Phillips head screwdriver**.
B. At this point fully tighten all 4 **round head screws** that attach the shelf with a **Phillips head screwdriver**.



- ⑦ Slide drawer back into table top assembly, fitting slots on drawer sides onto rails.



- ⑧ Rotate drawer stop 180° to prevent drawer from being removed. With the assistance of another adult place the table upright. Assembly is now complete.

CLEANING AND CARE

Clean surfaces with a dry or damp soft cloth. Do not use abrasive cleaners. Do not use furniture wax or polish as the wood is finished with a protective clear lacquer.