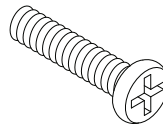


Thank you for purchasing the **Kingston Sliding Door Coffee Table**. This page lists all the contents included in the box. Please take time to identify the hardware as well as the individual components of this product. As you unpack and prepare for assembly, place the contents on a carpeted or padded area to protect them from damage.

Note: 2 people are required to safely assemble this product.

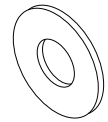
HARDWARE



12 - bolts



12 - spring washers



12 - flat washers



6 - cams

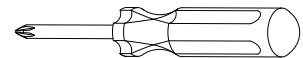


6 - cam screws

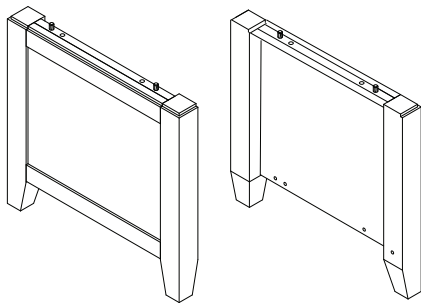
Missing hardware? Please call **800.606.6387** for replacements.

TOOLS REQUIRED

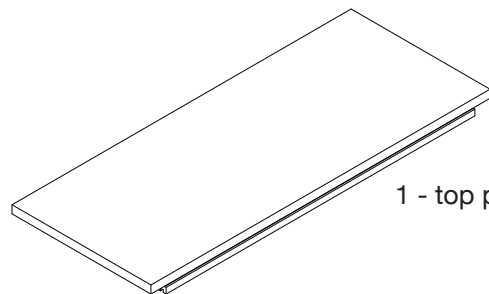
Phillips head screwdriver



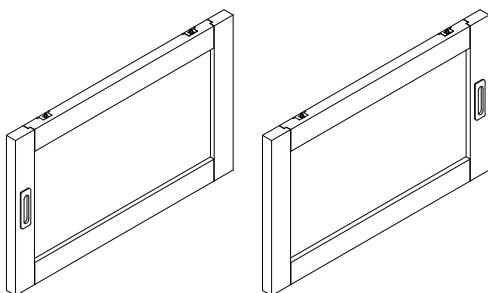
COMPONENTS



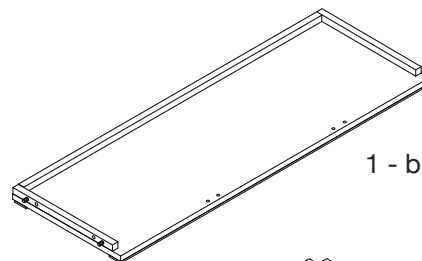
2 - side panels
(1 left, 1 right)



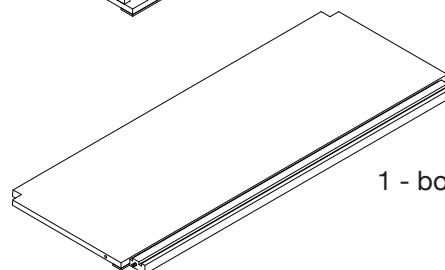
1 - top panel



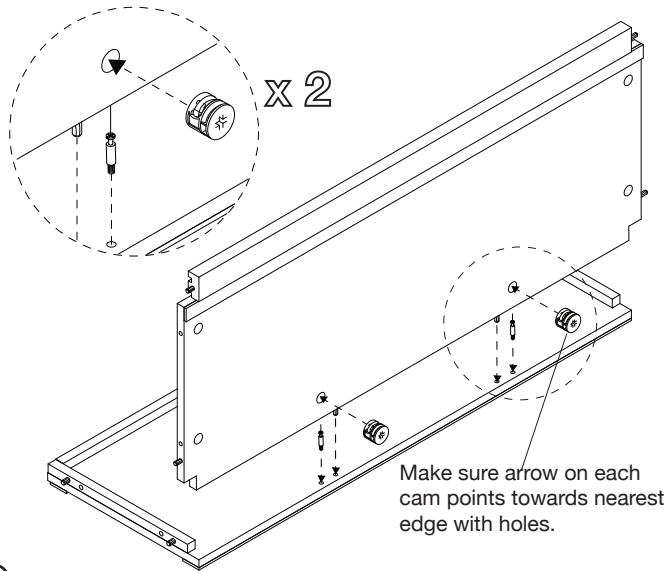
2 - doors
(1 left, 1 right)



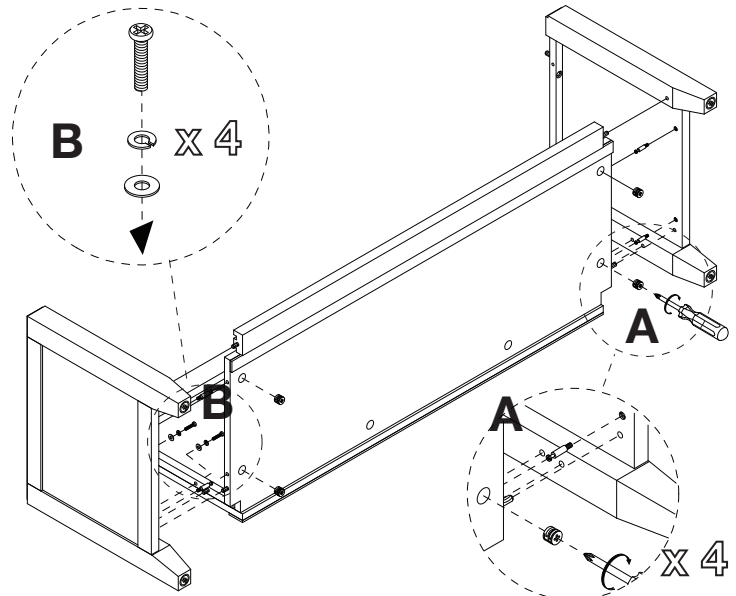
1 - back panel



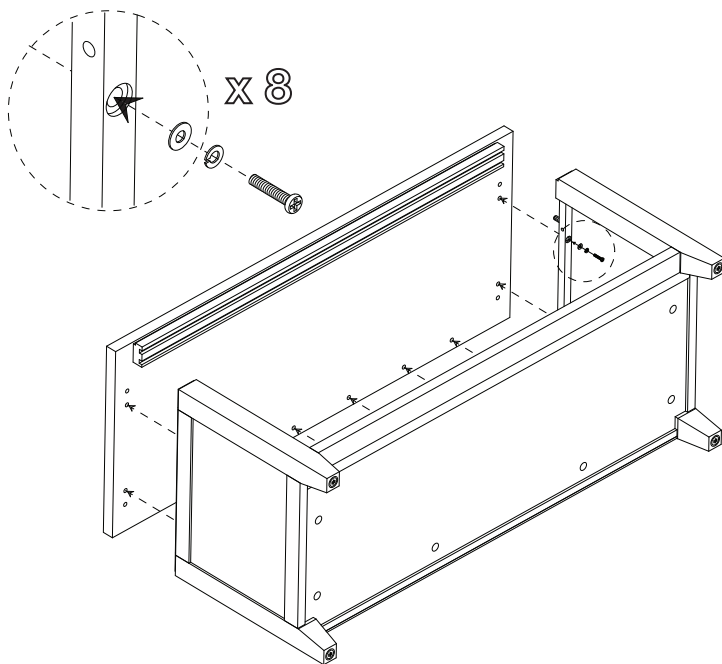
1 - bottom panel



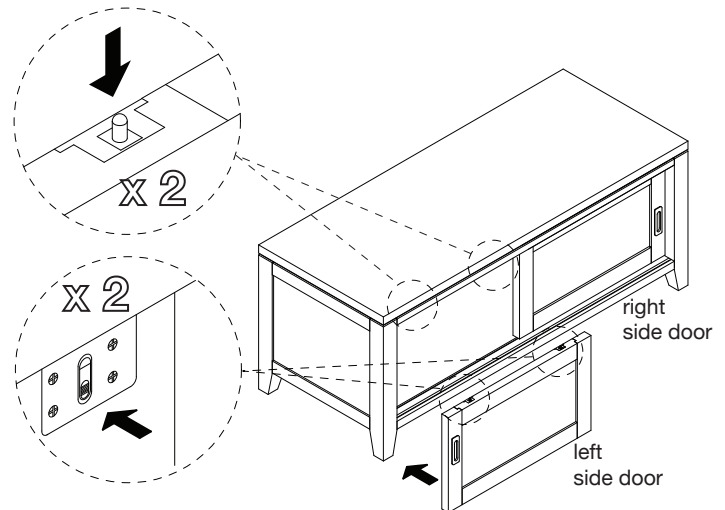
- ① Insert 2 **cam screws** into **back panel** as shown. Secure, but do not over tighten with a **phillips head screwdriver**. Insert 2 **cams** into **bottom panel** as shown. Make sure arrow on each cam points towards nearest edge with holes. Fit cam screws and dowels of **back panel** into corresponding holes of **bottom panel**. With a screwdriver, turn each cam clockwise until it securely engages each cam screw.



- ② A) Insert 4 **cams** into **bottom panel** as shown. Insert 2 **cam screws** into each **left and right side panel** as shown. B) Fit **left and right side panel** onto back and bottom panel assembly by fitting cam screws and dowels into corresponding holes as shown. With a screwdriver, turn each **cam** clockwise until it securely engages each cam screw. Secure side panels with 4 **bolts**, 4 **spring washers**, and 4 **flat washers** as shown, using a screwdriver.



- ③ With the assistance of another adult, carefully attach **top panel** onto assembled unit as shown with 8 **bolts**, 8 **spring washers** and 8 **flat washers**.



- ④ With the assistance of another adult, carefully place unit upright. Insert bottom edge of **right door** into bottom back groove of unit as shown. Press and hold down both levers (located at the back of door) to insert top edge of door into top back groove of unit. Release levers to secure door. Repeat for **left door** using the front groove of unit. Assembly is now complete.

CLEANING AND CARE

Clean surfaces with a dry or damp soft cloth. Do not use abrasive cleaners. Do not use furniture wax or polish as the wood is finished with a protective clear lacquer.