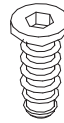


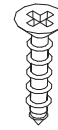
Thank you for purchasing the **Leaning Shelves**. This page lists all the contents included in the box. Please take the time to identify the hardware as well as the individual components to this product. As you unpack and prepare for assembly, place the contents on a carpeted or padded area to protect them from damage.

Note: 2 people are required to safely assemble this product.

## HARDWARE



10 - connecting screws



1 - small screw



1 - wall anchor screws



1 - keyhole (attached to second smallest shelf)

Missing hardware?

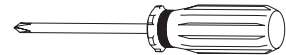
Please call **800.606.6387** for replacements.

## TOOLS REQUIRED

Allen wrench (included)



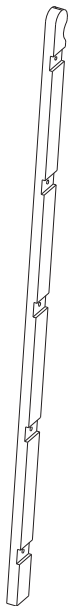
Phillips head screwdriver



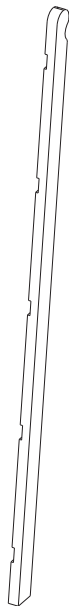
Drill and 1/4" drill bit



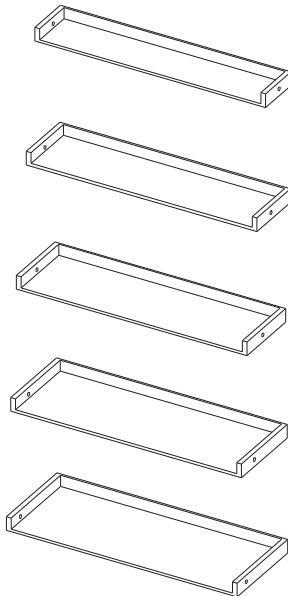
## COMPONENTS



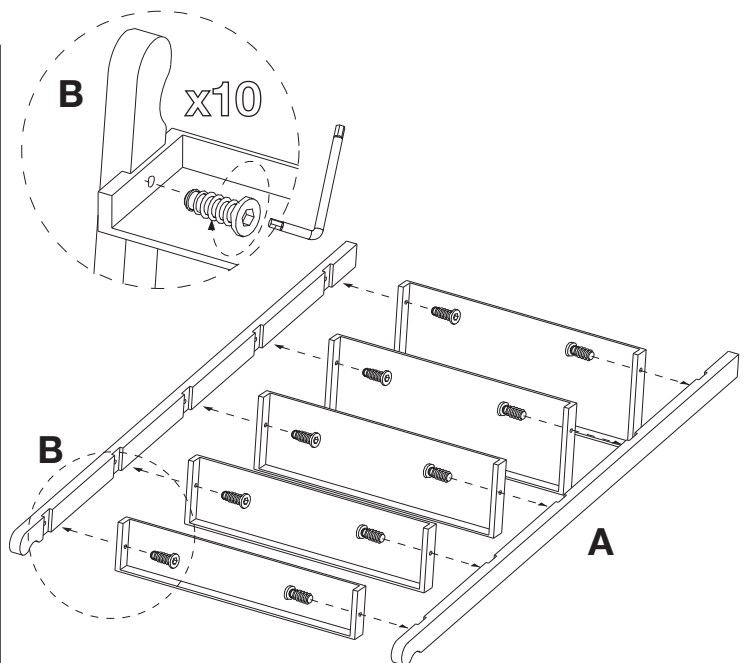
1 - left upright



1 - right upright



5 - shelves

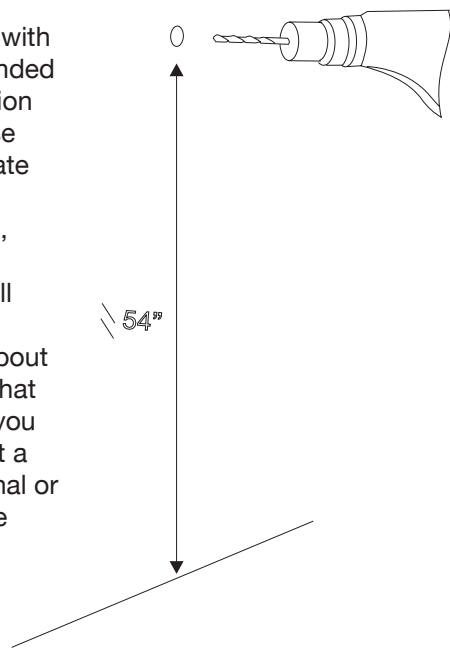


① A) Position **right** and **left uprights** with **5 shelves** (in descending depths) as shown. Place the shortest depth shelf at the top of the uprights, and longest depth shelf at the bottom.

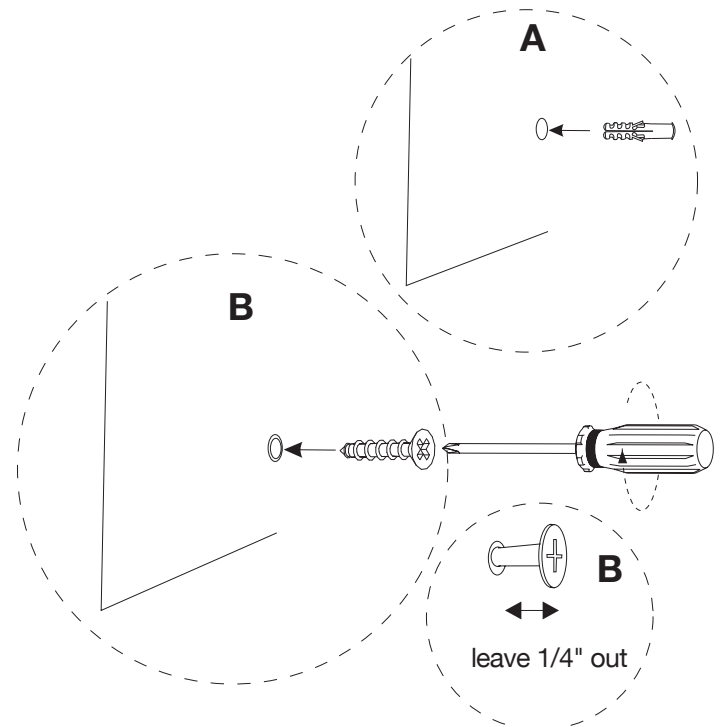
B) Insert 1 **connecting screw** through each shelf side, and secure each screw with the **Allen wrench**.

**IMPORTANT NOTE:**

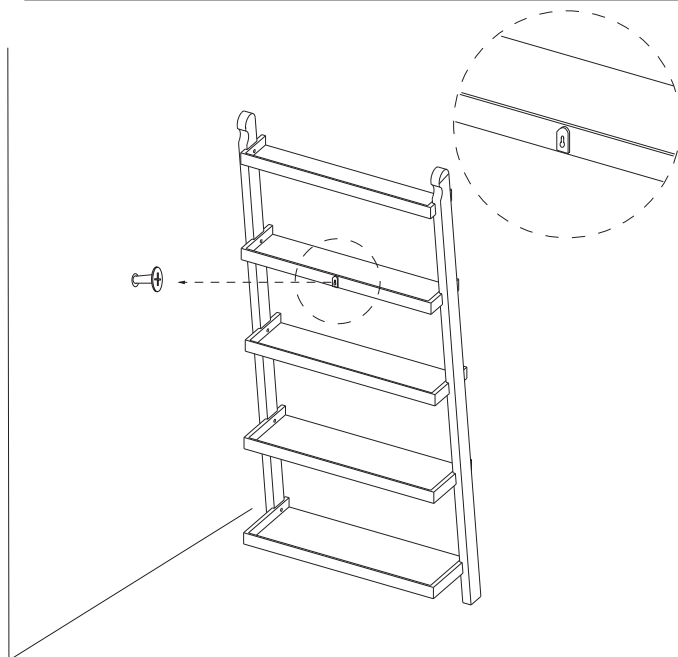
The wall mounting hardware included with this product is intended for drywall installation only. Be sure to use hardware appropriate for your wall type. Whenever possible, attach mounting hardware into a wall stud. If you are unsure about your wall type or what mounting method you should use, consult a qualified professional or your local hardware store.



- ② Drill a 1/4" hole into the wall, 54" from the floor.



- ③ A) Insert **wall anchor** into the hole.  
 B) Fasten 1 **small screw** into the **wall anchor** using a **Phillips head screwdriver**. Leave screw protruding 1/4" out of the wall, as illustrated above.



- ④ With assistance of another adult, position assembled unit upright. Carefully align **keyhole** on back side of the second **shelf** with protruding **screw** in the wall and fit securely into place. Assembly is now complete.

**CLEANING AND CARE**

Clean surfaces with a dry or damp soft cloth. Do not use abrasive cleaners.