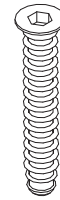


Thank you for purchasing the **Leaning Desk**. This page lists all the contents included in the box. Please take the time to identify the hardware as well as the individual components to this product. As you unpack and prepare for assembly, place the contents on a carpeted or padded area to protect them from damage. Note: 2 people are required to safely assemble this product.

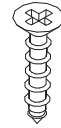
HARDWARE



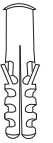
4 - small connecting screws



6 - large connecting screws



1 - small screw



1 - wall anchor



1 - keyhole (attached to medium shelf)



2 - desktop brackets

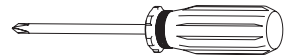
Missing hardware?
Please call **800.606.6387** for replacements.

TOOLS REQUIRED

Allen wrench (included)



Phillips head screwdriver



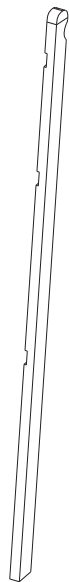
Drill and 1/4" drill bit



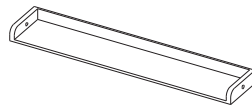
COMPONENTS



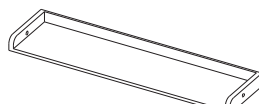
1 - left upright



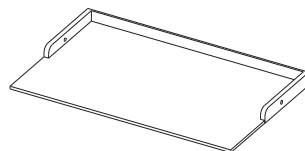
1 - right upright



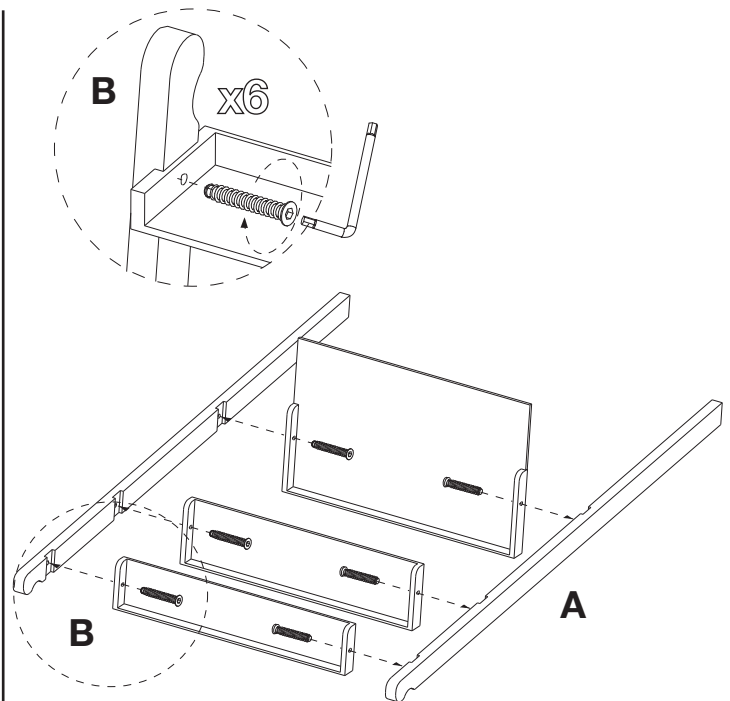
1 - small shelf



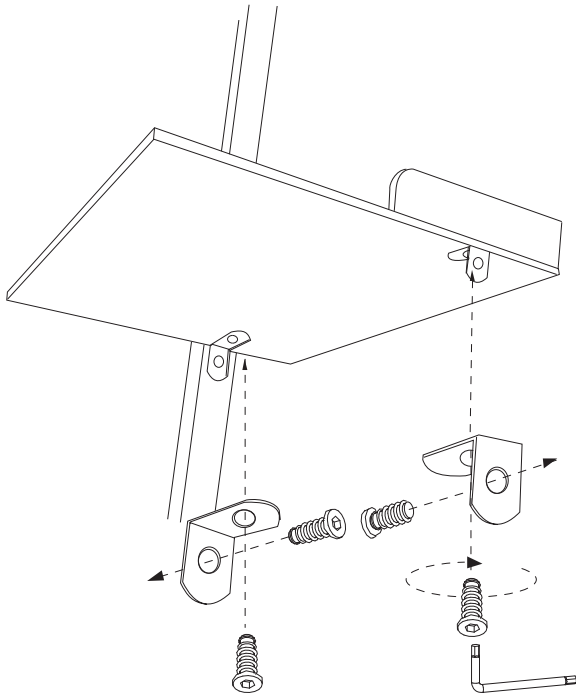
1 - medium shelf



1 - desktop



- 1 A) Place **small, medium, and desktop** into position on **right and left uprights** as shown.
- B) Insert 1 **large connecting screw** in the side of each shelf and securely fasten to the uprights with the **Allen wrench**.

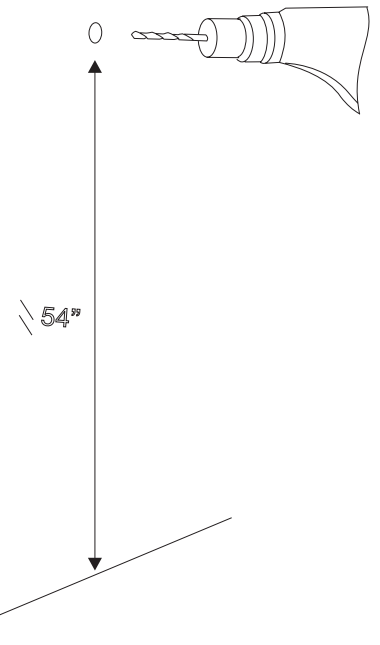


- ② Attach 2 **desktop brackets** to the bottom of **desktop** and uprights with 4 **small connecting screws**. Fully secure with the **allen wrench**.

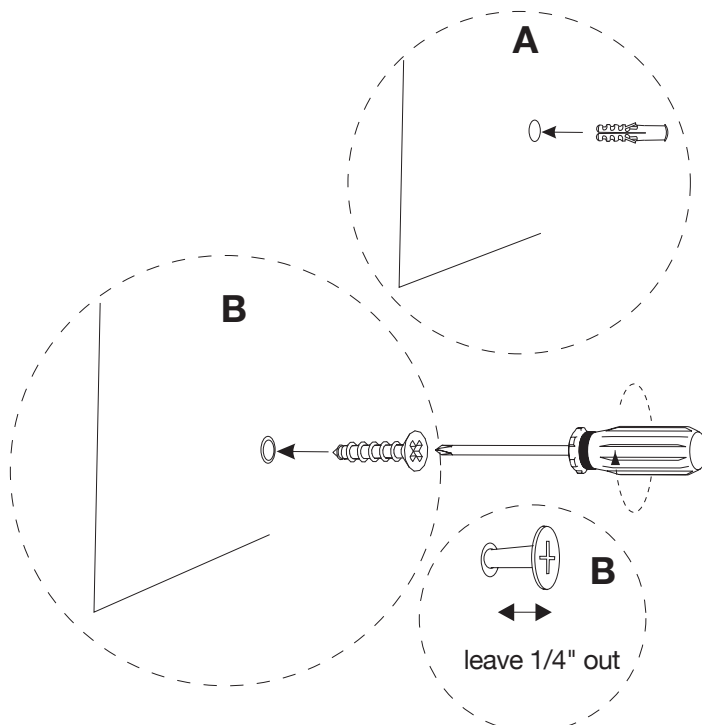
IMPORTANT NOTE:

The wall mounting hardware included with this product is intended for drywall installation only. Be sure to use hardware appropriate for your wall type. Whenever possible, attach mounting hardware into a wall stud.

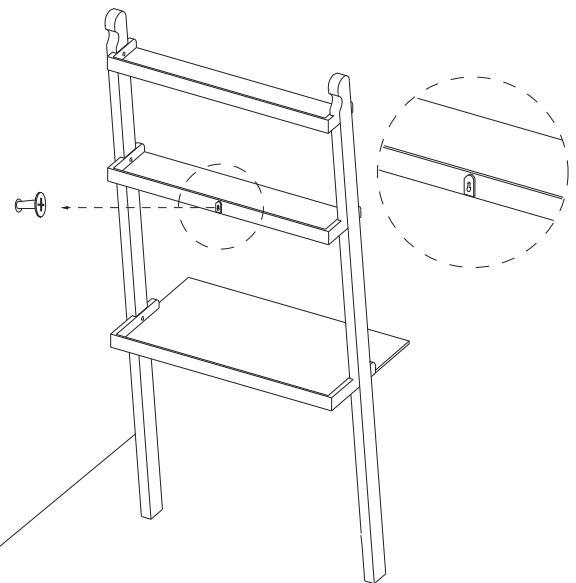
If you are unsure about your wall type or what mounting method you should use, consult a qualified professional or your local hardware store.



- ③ Drill a **1/4"** hole into the wall, **54"** from the floor.



- ④ A) Insert **wall anchor** into the hole.
B) Fasten 1 **small screw** into the **wall anchor** using a **Phillips head screwdriver**. Leave screw protruding **1/4"** out of the wall, as illustrated above.



- ⑤ With assistance of another adult, position assembled unit upright. Carefully align **keyhole** on back side of the **medium shelf** with protruding **screw** in the wall and fit securely into place. Assembly is now complete.

CLEANING AND CARE

Clean surfaces with a dry or damp soft cloth. Do not use abrasive cleaners.