

Thank you for purchasing the **Loop Storage Bench**. This page lists all the contents included in the box. Please take time to identify the hardware as well as the individual components of this product. As you unpack and prepare for assembly, place the contents on a carpeted or padded area to protect them from damage. NOTE: 2 people are required to safely assemble this product.

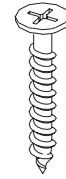
HARDWARE



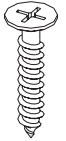
14 - cams



14 - cam screws



18 - large screws



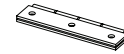
8 - small screws



12 - wood dowels



14 - cam covers



3 - hinges



2 - lid supports
(1 left, 1 right)

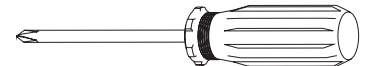


4 - bumpers

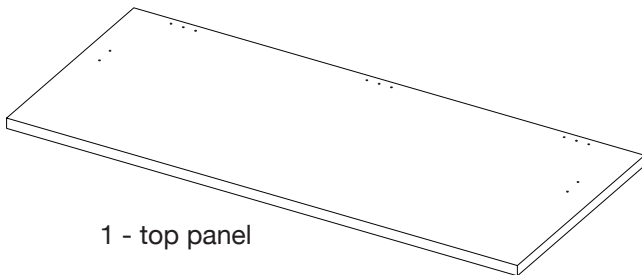
Missing hardware? Please call **800.606.6387** for replacements.

TOOLS REQUIRED

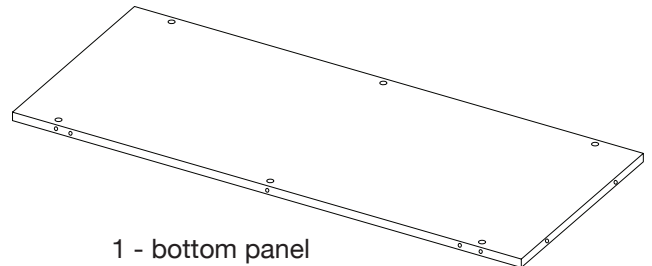
Phillips Head Screwdriver



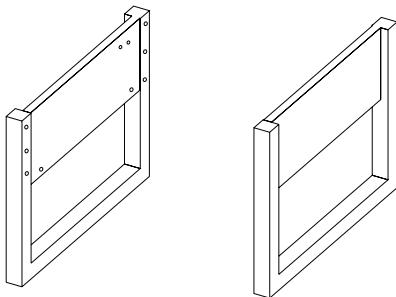
COMPONENTS



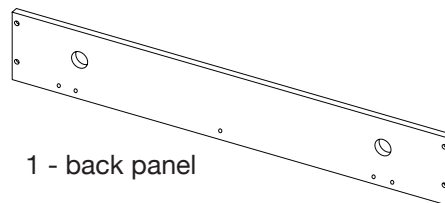
1 - top panel



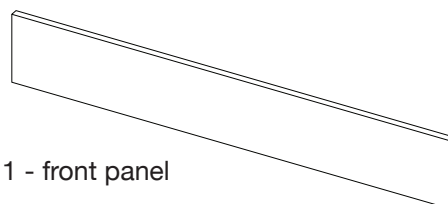
1 - bottom panel



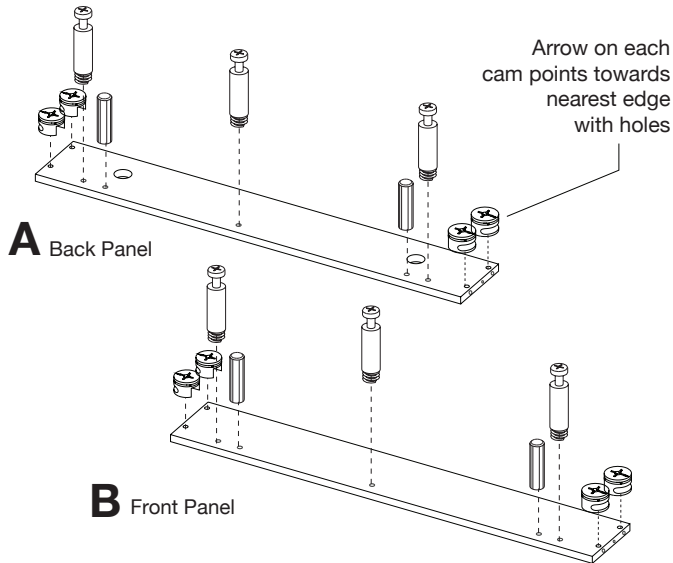
2 - side frames
(1 left, 1 right)



1 - back panel

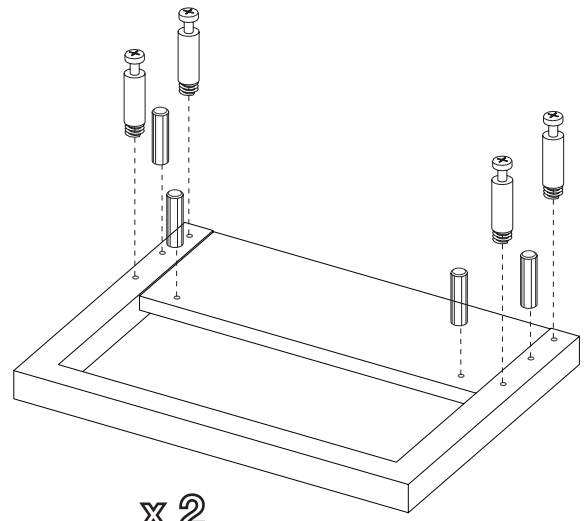


1 - front panel

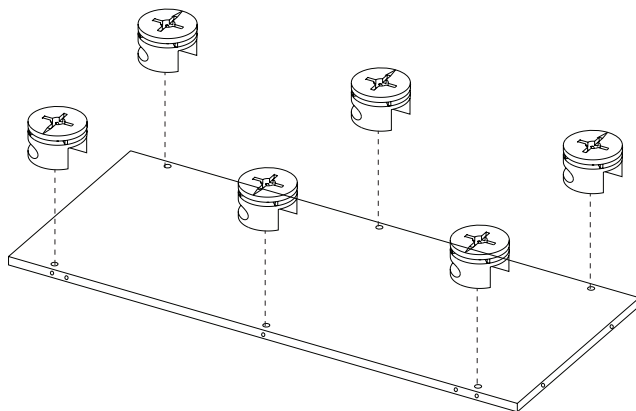


- 1) A) Place **back panel** face up on a padded surface as shown. Insert 2 **wood dowels**, 3 **cam screws**, and 4 **cams** into the holes as shown. Secure each cam screw, but do not over tighten with a **phillips head screwdriver**. Make sure the arrow on each **cam** points towards the nearest edge with holes.

B) Insert 2 **wood dowels**, 3 **cam screws**, and 4 **cams** into the **front panel**.



- 2) Insert 4 **wood dowels** and 4 **cam screws** into **each side panel** as shown.



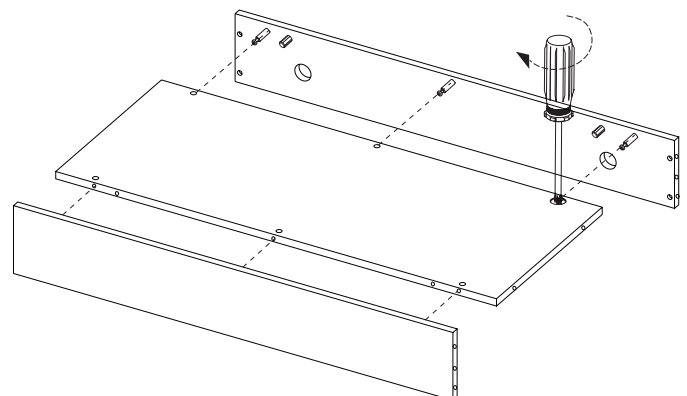
- 3) Insert 6 **cams** into the **bottom panel** as shown. Make sure the arrow on each cam points towards the nearest edge with holes.



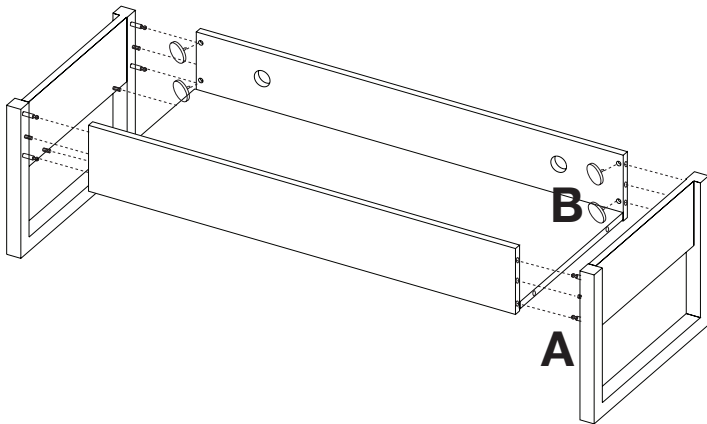
Cam in unlocked position



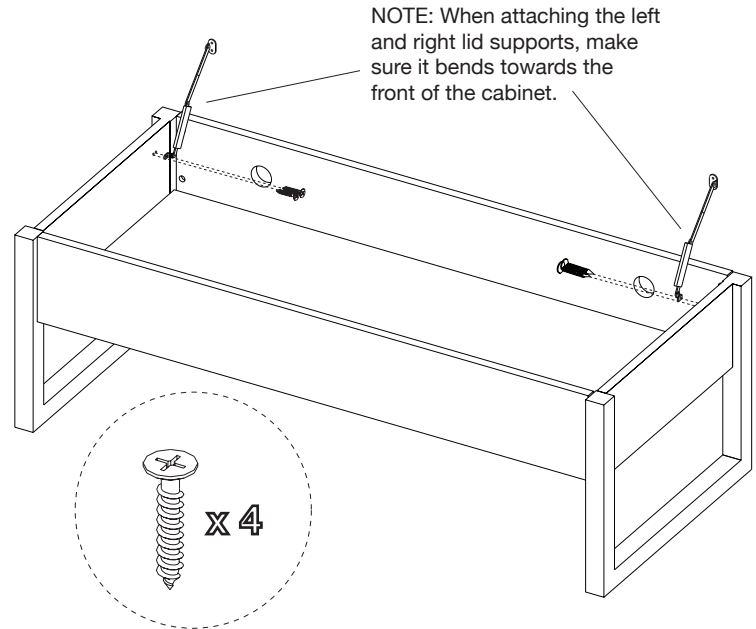
Cam in locked position



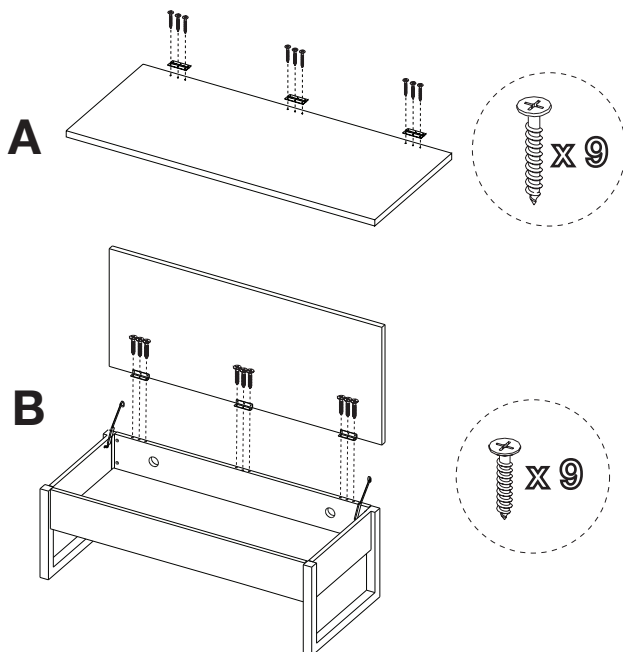
- 4) Fit cam screws & dowels of front and back panel into corresponding holes in the bottom panel. Secure 6 **cams** on the bottom panel with a **phillips head screwdriver**. Turn each cam clockwise until it securely engages each cam screw.



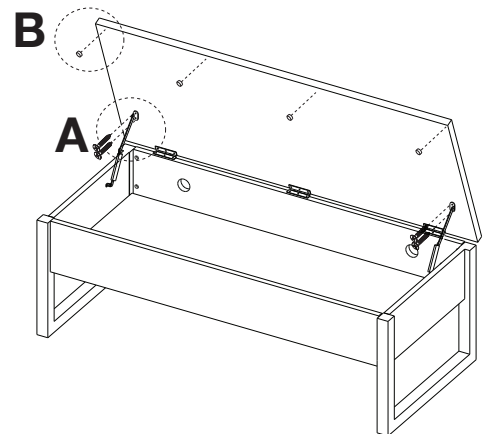
- 5) A) With the assistance of another adult, carefully turn case assembly right side up and fit **right and left side frames** onto assembly. Secure all 8 **cams** on the front and back panel with a **phillips head screwdriver**.
 B) Conceal all exposed cams with **cam covers**.



- 6) Attach **left and right lid supports** to the inside of each side frame with 2 **small screw** per support as shown. Secure, but do not over tighten with the **phillips head screwdriver**.



- 7) A) Attach 3 **hinges** to the **top panel** with 3 **large screws** per hinge. Secure with the **phillips head screwdriver**.
 B) With the assistance of another adult attach hinges of **top panel** to assembly with 3 **large screws** per hinge.



- 8) A) With the assistance of another adult, lift **top panel** open as shown. Attach top of **left and right lid supports** to top panel with 2 **small screws** per support.
 B) Remove backing from 4 **bumpers** and adhere onto the underside of **top panel** as shown. When top panel is closed, make sure the bumpers rest on the top edge of the front panel.
 Assembly is now complete.

CLEANING AND CARE

Clean surfaces with a dry or damp soft cloth. Do not use abrasive cleaners. Do not use furniture wax or polish as the wood is finished with a protective clear lacquer.