

Thank you for purchasing the **Lyric Round Dining Table**. This page lists all the contents included in the box. Please take time to identify the hardware as well as the individual components of this product. As you unpack and prepare for assembly, place the contents on a carpeted or padded area to protect them from damage.

Note: 2 people are required to safely assemble this product.

HARDWARE



4 - barrel nuts



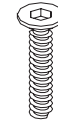
4 - barrel screws



9 - spring washers



9 - flat washers



8 - large bolts



1 - short bolt

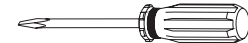
Missing hardware? Please call **800.606.6387** for replacements.

TOOLS REQUIRED

phillips head screwdriver



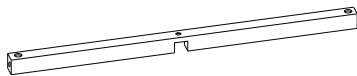
flat head screwdriver



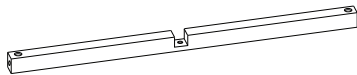
allen wrench (included)



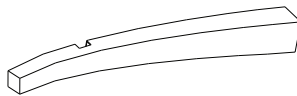
COMPONENTS



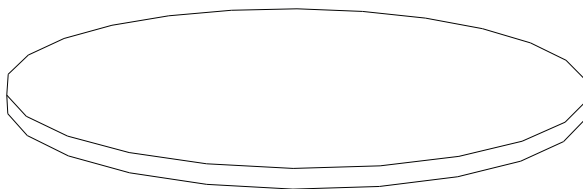
1 - top crossbar



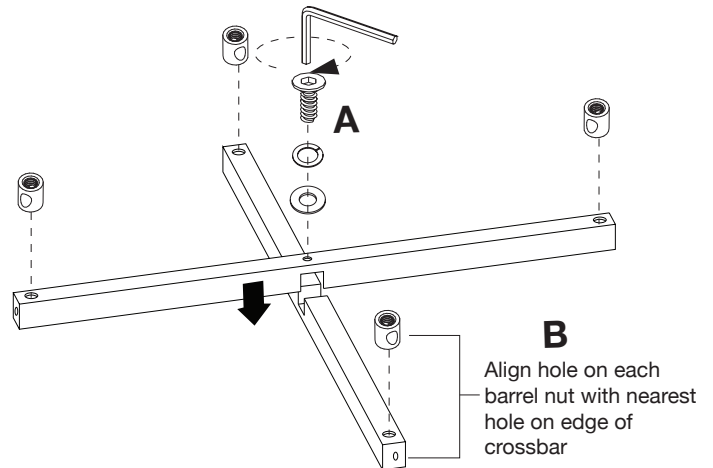
1 - bottom crossbar



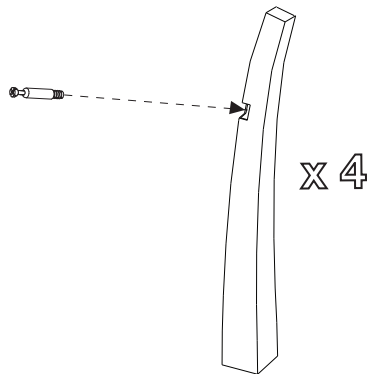
4 - legs



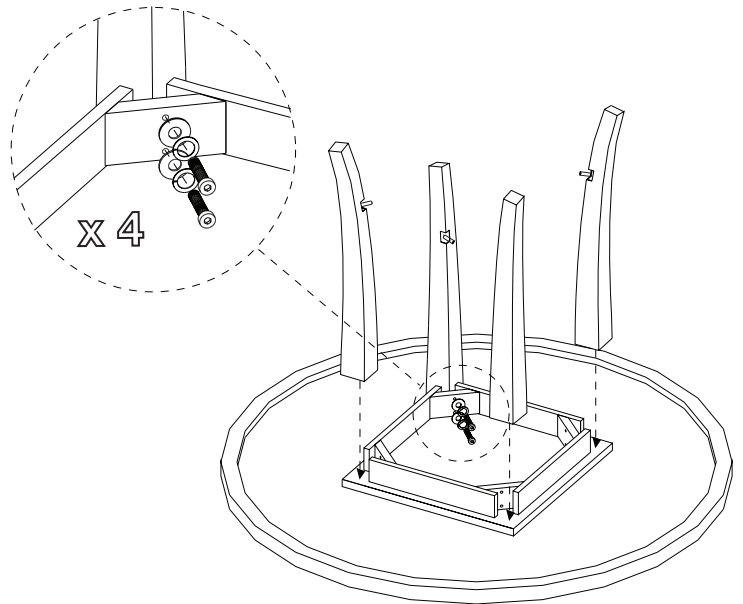
1 - tabletop



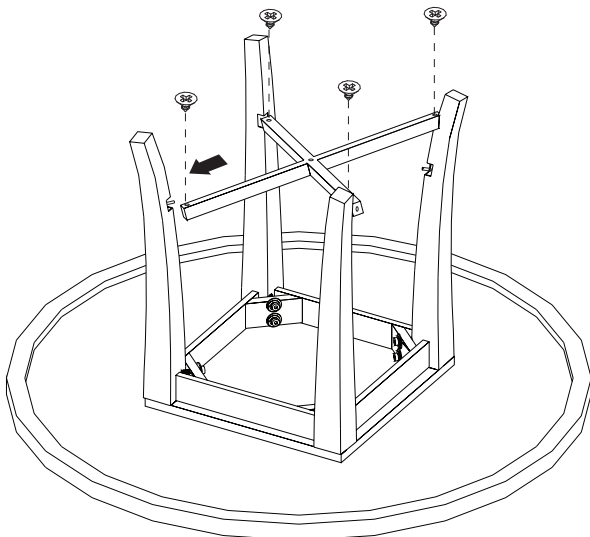
- 1 A) Fit **top crossbar** onto **bottom crossbar** as shown. Secure crossbars with 1 **small bolt**, 1 **spring washer**, and 1 **flat washer** using an **allen wrench**.
- B) Remove small screws from each barrel nut and set aside. Insert 4 **barrel nuts** into crossbar assembly as shown. With a **flat head screwdriver**, align hole on each barrel nut with nearest hole on edge of crossbar assembly.



② Insert 1 **barrel screw** into each **leg** as shown. Secure screws with a **phillips head screwdriver**.



③ With the assistance of another adult, carefully place **tabletop** upside side down onto a clean, padded surface. Insert 4 **legs** into tabletop as shown. Very loosely attach each leg with 2 **bolts**, 2 **spring washers**, and 2 **flat washers**.



④ Fit holes of crossbar assembly into barrel screws of each leg assembly as shown. Make sure each barrel nut is aligned vertically with barrel screw. Secure crossbar with 4 **screws** from step 1B using a **screwdriver**. Tighten the 8 leg bolts securely. With the assistance of another adult, position unit upright. Assembly is now complete.

CLEANING AND CARE

Clean surfaces with a dry or damp soft cloth. Do not use abrasive cleaners. Do not use furniture wax or polish as the wood is finished with a protective clear lacquer.