

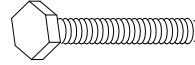
Thank you for purchasing the **Nielsen Extension Dining Table**. This page lists all the contents included in the box. Please take time to identify the hardware as well as the individual components of this product. As you unpack and prepare for assembly, place the contents on a carpeted or padded area to protect them from damage.

Note: 2 people are required to safely assemble this product.

HARDWARE



4 - washers

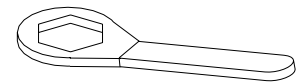


4 - bolts

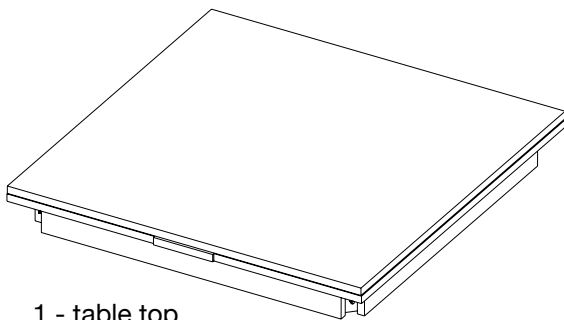
Missing hardware? Please call **800.606.6387** for replacements.

TOOLS REQUIRED

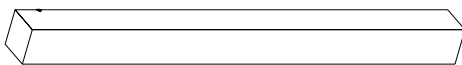
Hex wrench (included)



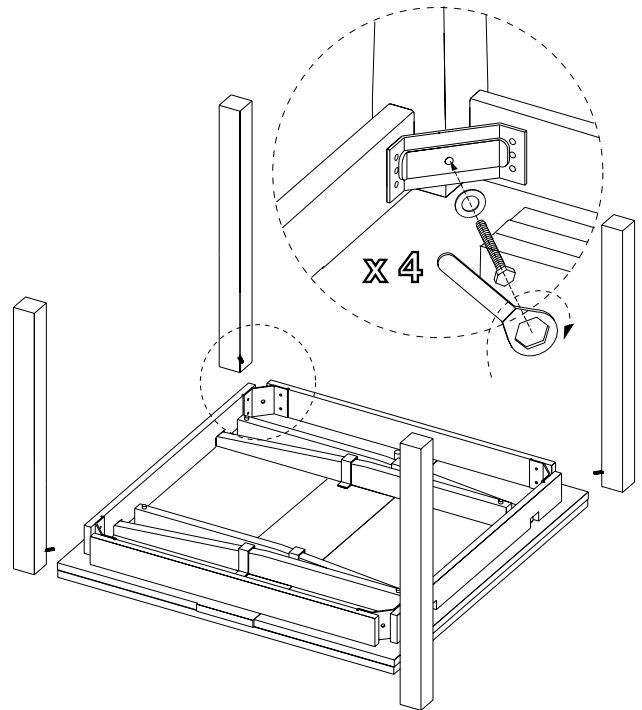
COMPONENTS



1 - table top assembly

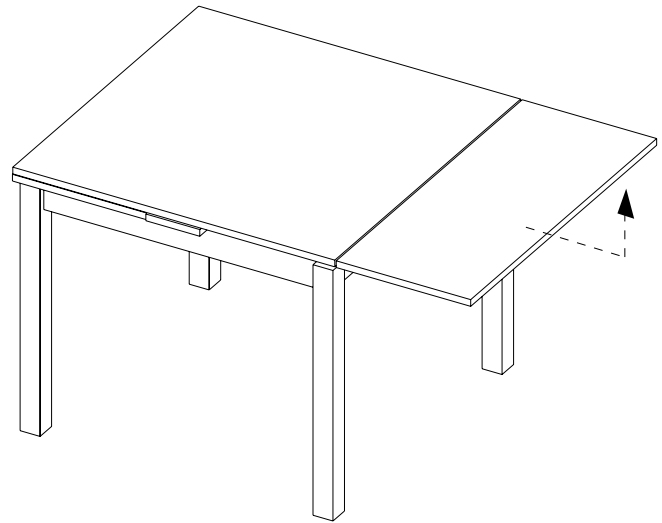
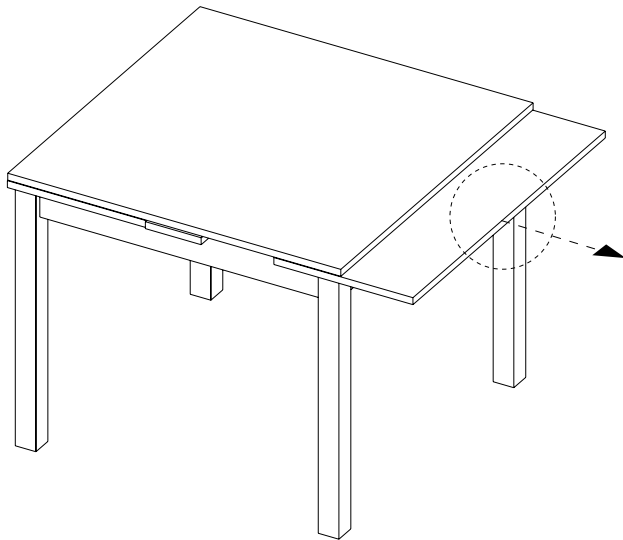


4 - legs



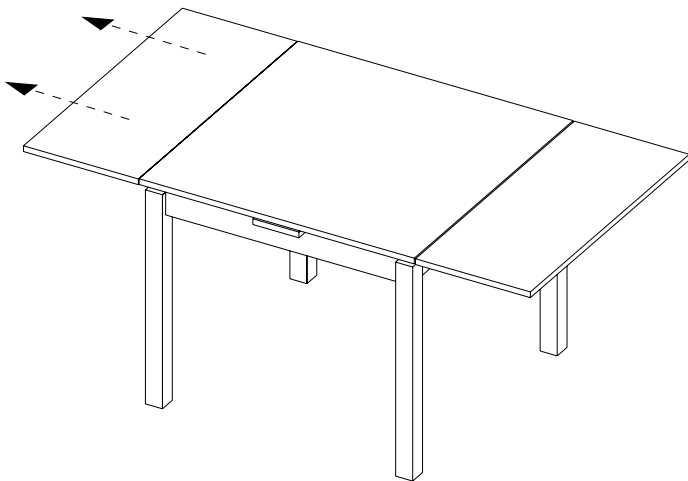
- ① Place the **table top assembly** upside down on a clean, padded surface. Place **legs** into position, aligning hole of leg with hole in the metal corner bracket. Secure each leg to table top with 1 **washer** and 1 **bolt**. Fully tighten with **hex wrench** provided. Assembly is now complete.

EXTENSION LEAF OPERATION

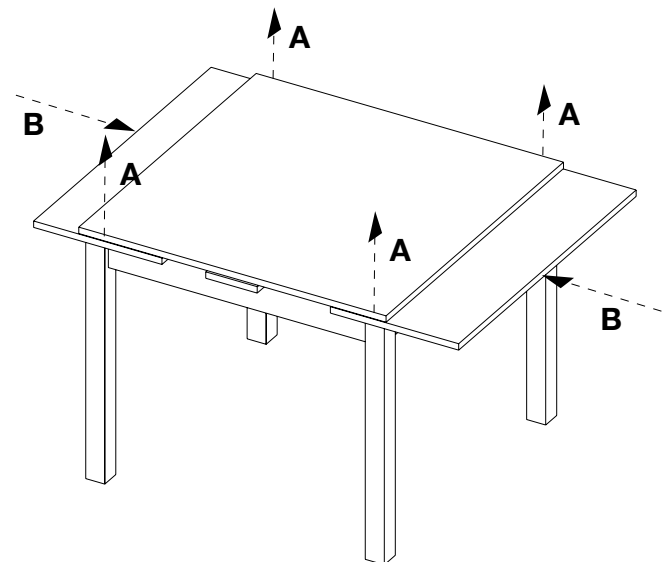


- ② Grasp finger pull on underside of table top and pull out extension leaf. As you pull the leaf, it will move upwards to be flush with the surface of the tabletop.

EXTENSION LEAF STORAGE



- ③ Repeat for the remaining leaf.



- ④ A. Lift up table top slightly at each end to take the weight off the extension leaf.
B. Slide leaf back into position under table top.

CLEANING AND CARE

Clean surfaces with a dry or damp soft cloth. Do not use abrasive cleaners. Do not use furniture wax or polish as the wood is finished with a protective clear lacquer.