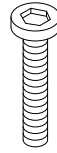


Thank you for purchasing the **Parker Spirits Cabinet**. This page lists all the contents included in the box. Please take the time to identify the hardware as well as the individual components to this product. As you unpack and prepare for assembly, place the contents on a carpeted or padded area to protect them from damage.
 Note: 2 people are required to safely assemble this product.

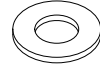
HARDWARE



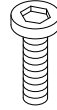
12 - large bolts



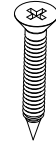
16 - spring washers



16 - flat washers



4 - small bolts



4 - large screws

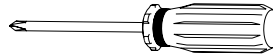


6 - small screws

Missing hardware?

Please call **800.606.6387** for replacements.

TOOLS REQUIRED



Phillips head screwdriver



Allen wrench (included)

We recommend the use of hand tools instead of power tools.

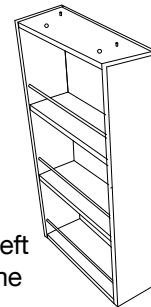
COMPONENTS



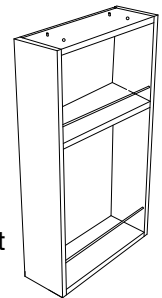
4 - legs



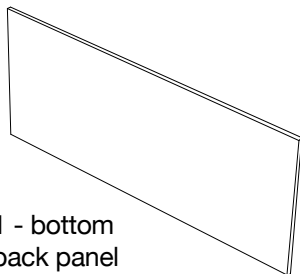
1 - bottom frame



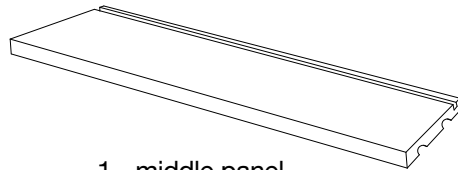
1 - left frame



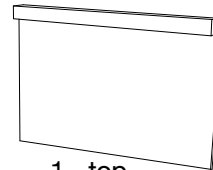
1 - right frame



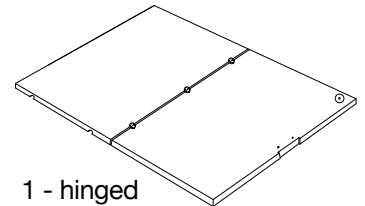
1 - bottom back panel



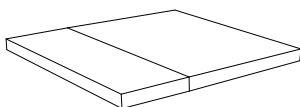
1 - middle panel



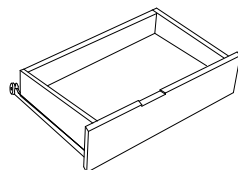
1 - top back panel



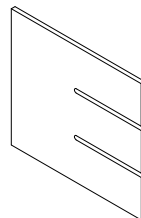
1 - hinged panel



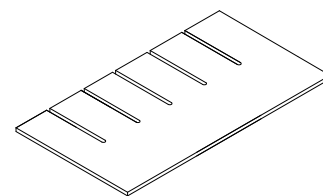
2 - top panels



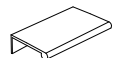
1 - drawer assembly



5 - vertical wine racks

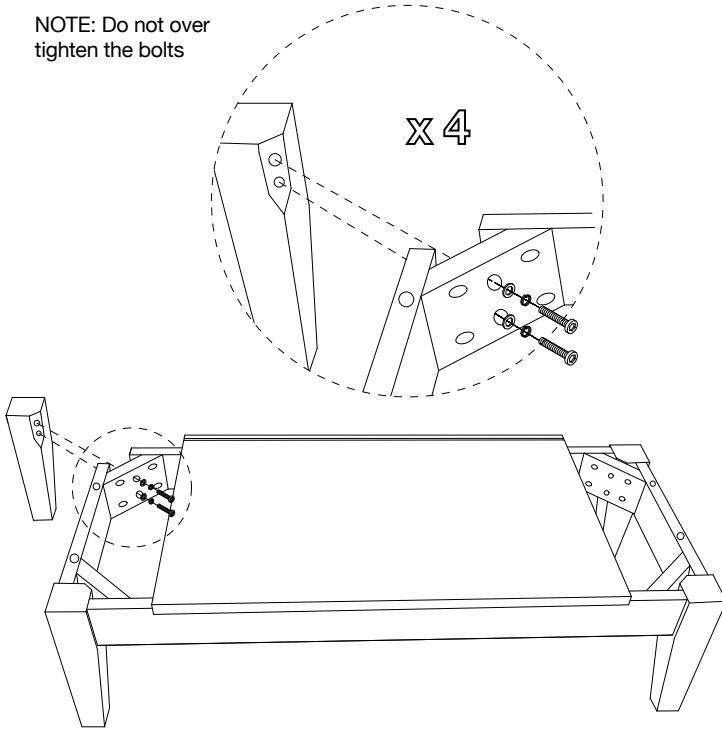


2 - horizontal wine racks



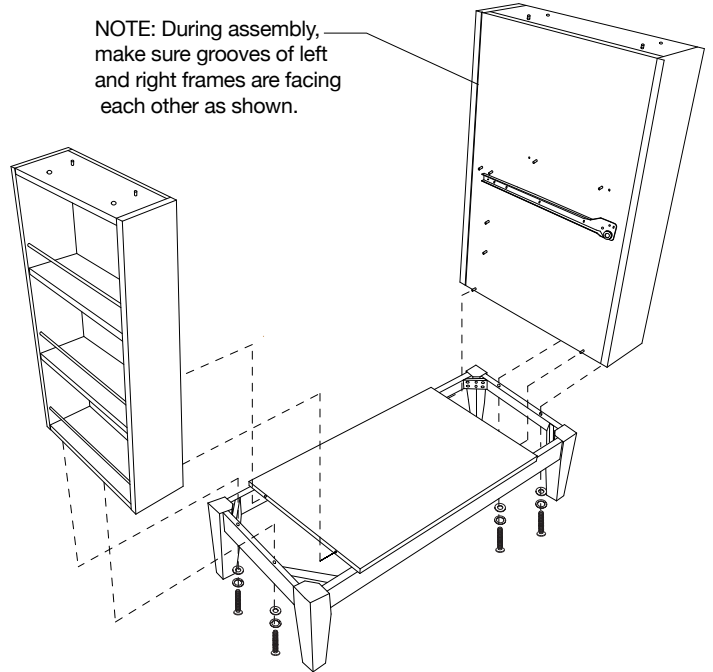
2 - pulls

NOTE: Do not over tighten the bolts

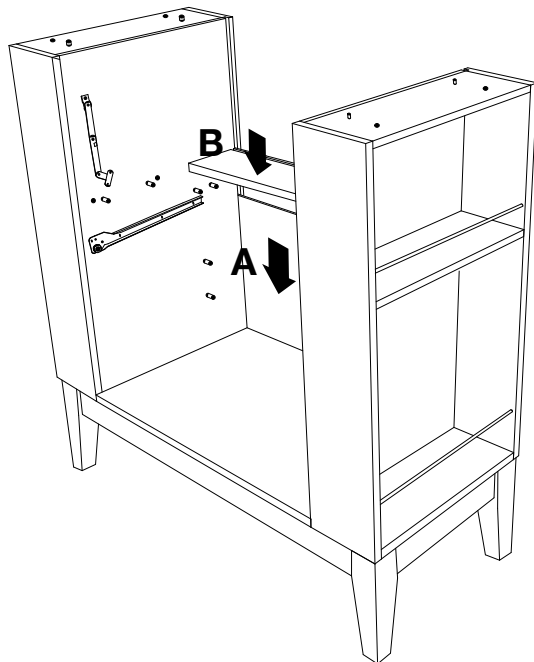


- ① Attach 4 legs to bottom frame with 2 large bolts, 2 spring washers and 2 flat washers per leg. Secure, but do not over tighten, bolts with an allen wrench.

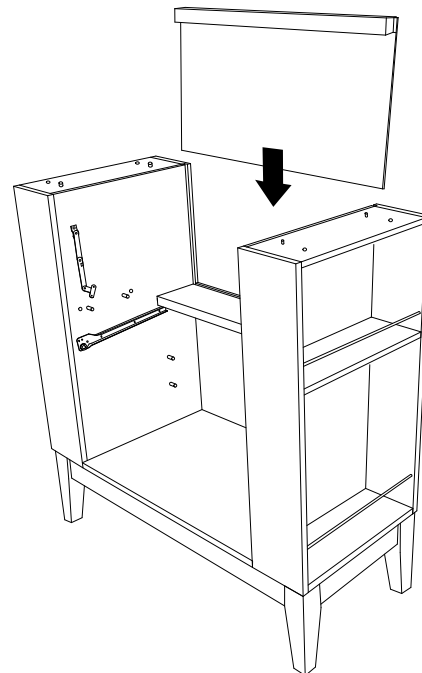
NOTE: During assembly, make sure grooves of left and right frames are facing each other as shown.



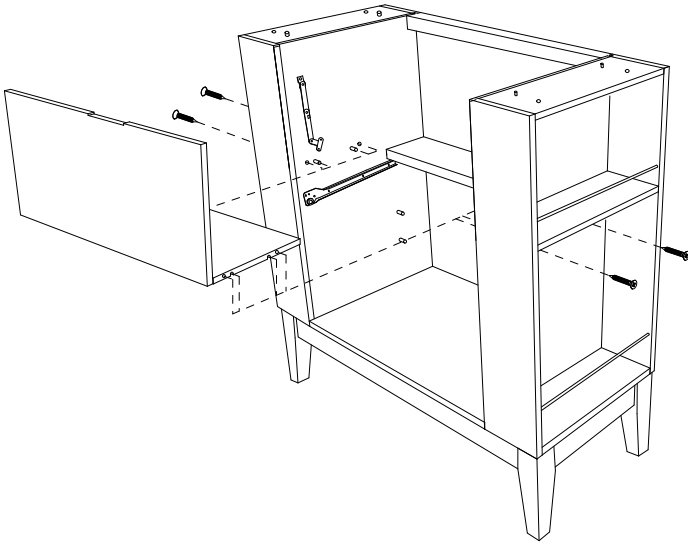
- ② With the assistance of another adult, fit pre-assembled dowels of right frame into corresponding holes of bottom frame as shown. Secure right frame with 2 large bolts, 2 spring washers and 2 flat washers. Repeat step 2 for left frame.



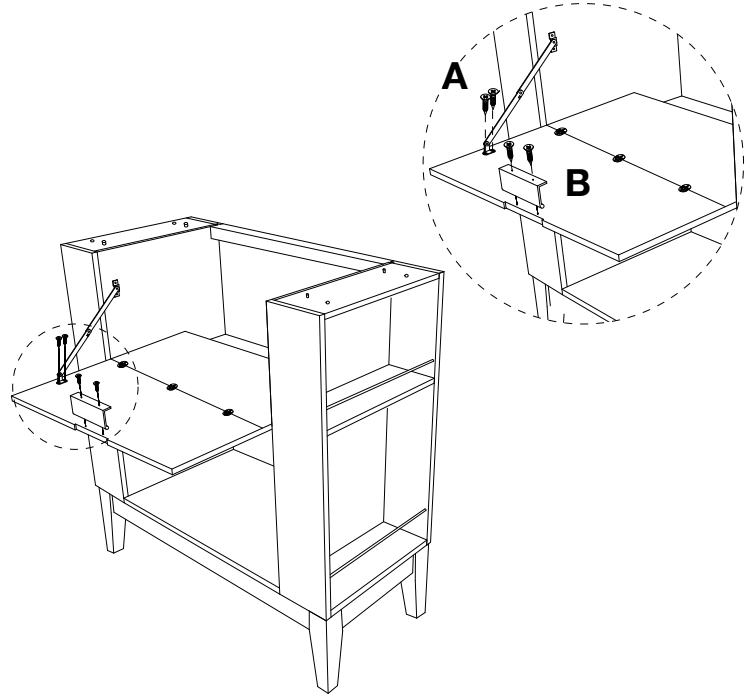
- ③ A) Insert bottom back panel into corresponding grooves of left/right frames as shown.
B) Place middle panel onto pre-assembled shelf pins as shown. Make sure shelf is securely supported by each shelf pin.



- ④ Fit top back panel into corresponding grooves of assembly as shown.

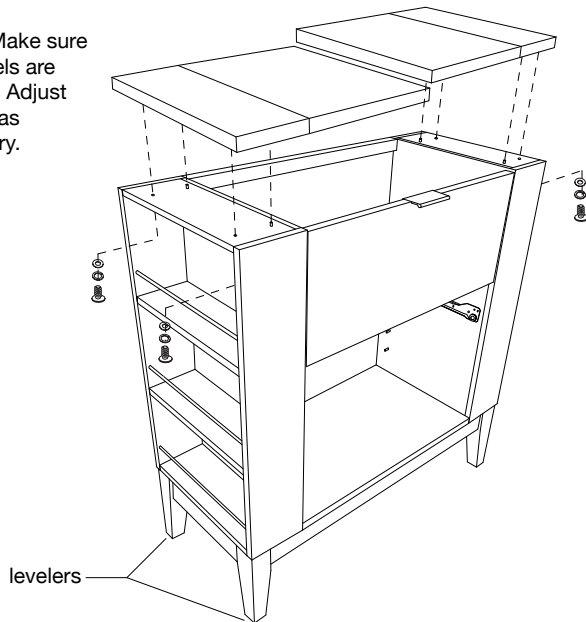


- ⑤ Place **hinged panel** onto pre-assembled **shelf pins** as shown, and secure with 4 **large screws**.

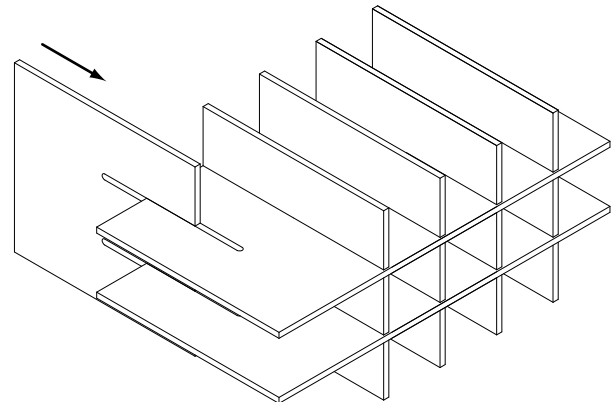


- ⑥ A) Open hinged panel as shown, and secure pre-assembled arm hinge with 2 **small screws**.
B) Attached 1 **pull** to hinged panel with 2 **small screws**.

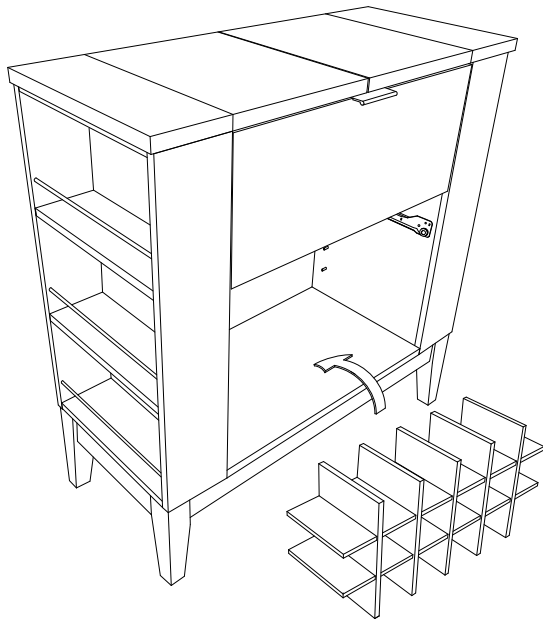
NOTE: Make sure top panels are aligned. Adjust levelers as necessary.



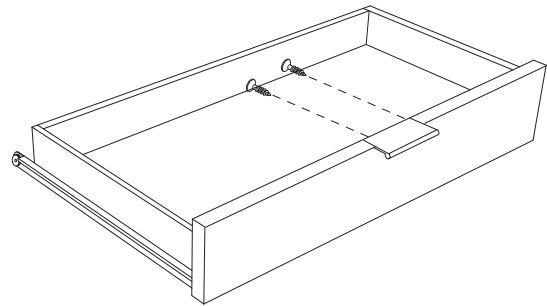
- ⑦ Attach 2 **top panels** to assembly with 2 **small bolts**, 2 **spring washers** and 2 **flat washers** per panel as shown. Do not fully tighten the bolts. Make sure top panels are orientated as shown. If the top panels are not aligned, make sure assembly is level and adjust *levelers* as necessary. At this point, secure but do not over tighten the bolts.



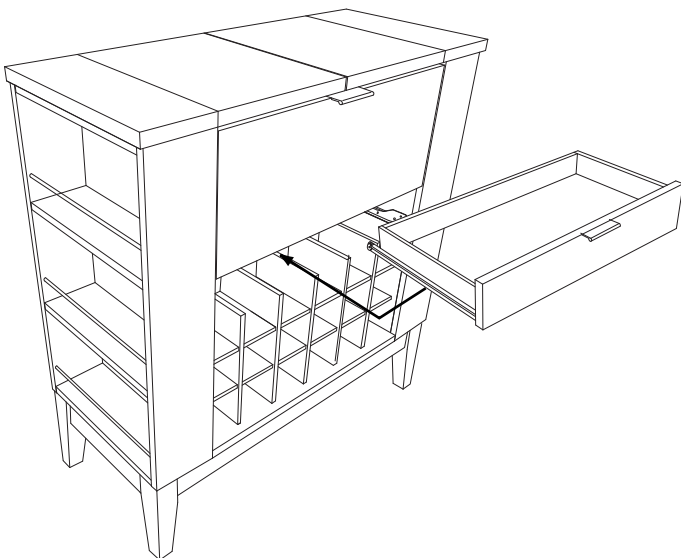
- ⑧ Fit slots of 5 **vertical wine racks** into corresponding slots of 2 **horizontal wine racks** as shown.



⑨ Insert wine rack assembly into cabinet assembly as shown.



⑩ Attach 1 **pull** to **drawer assembly** with 2 **small screws** as shown.



⑪ Fit drawer glides of drawer into corresponding glides of assembly. Make sure drawer assembly is securely supported by glides.
Assembly is now complete.

CLEANING AND CARE

Clean surfaces with a dry or damp soft cloth. Do not use abrasive cleaners. Do not use furniture wax or polish as the wood is finished with a protective clear lacquer. It is recommended to use coasters to protect against heat and water.