

Creative WP-300 User Manual.
(Model number EF0450)

Illustration1

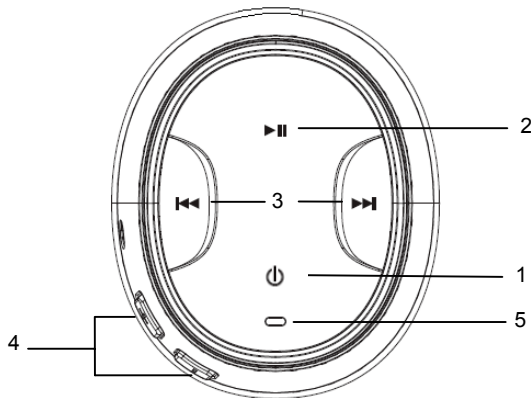
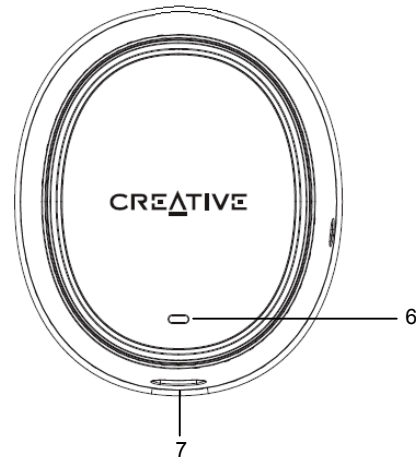


Illustration2



Thank you for selecting Creative's PURE WIRELESS Headphones. This documentation aims to guide you in making full use of the headphones. Fully charge the headphones before first use. Then you need to "pair" the headphones once with your *Bluetooth* audio device before enjoying subsequent automatic playback.

Charging headphones

- Connect the Left earcup to your laptop or computer using the supplied USB cable
- On the Left earcup, the indicator lights up in Red. When fully charged, this indicator turns Green
- You can listen and operate the headphones while charging

Pairing new audio devices

- Press and hold the Power/Pair button for more than 4 seconds on the Right earcup until the indicator lights up in Blue and blinking rapidly
- Turn on Bluetooth search function on your audio device
- Select "Creative WP-300 Headphones" and if prompted for a Passcode, key in "0000"
- Once paired, the Blue indicator on the Right earcup blinks slowly

Playback from audio devices

- Turn on *Bluetooth* function on your paired audio device
- Press and hold the Power/Pair button on the Right earcup until the indicator lights up in Green and blinks slowly. The headphones automatically searches for the last paired device. Once connected, the indicator turns Blue and blinks slowly. In certain cases, you may need to press the Play button to establish connection.
- You can now Play or Pause music playback, skip forward or reverse tracks, and make volume adjustments





Clear or reset headphones

- Press and hold the Volume Down "-" and Power/Pair buttons for more than 6 seconds to clear the paired audio devices
- If the headphones malfunction, reset it by supplying USB power, then press the Volume Up "+" and Power/Pair buttons for about 1 second

Automatic shutdown

- Once the headphones are powered on, if it is unable to connect to the last paired device or failed to pair with a new device within 5 minutes, the headphones will automatically shut down.

List of button, indicator and connector functions

Button		Function
1	 Power / Pair	Press and hold for about 2 seconds to power on the headphones. Press and hold for about 4 seconds to power off the headphones. In off mode, press and hold for more than 4 seconds to activate Pairing mode.
2	 Play / Pause	Press to play. Press again to pause playback.
3	 Next, Forward / Previous, Rewind Track	Press to change to the next or previous track. Press and hold to fast forward or reverse track (this function is device dependent).
4	 Volume Up / Volume Down	Press '+' to increase or press '-' to decrease volume. A beep tone is emitted at maximum volume level. Pause headphones to mute.
Light Indicator		Function
5	Right earcup light indicator	Green and blinks slowly: automatically searching and attempts to connect to the last paired device. Blue and blinks slowly: connected to a paired device. Blue and blinks rapidly: in pairing mode and is ready to pair with a new device. Red and blinks twice: powering off the headphones. Red and blinks slowly: low battery, charge headphones soonest. This is accompanied by a beep tone every 2 minutes.
6	Left earcup light indicator	Red: charging headphones. Green: headphones fully charged.
Connector		Function
7	Micro-USB charging connector	Use the supplied USB cable for charging the headphones via a laptop or computer.

Technical Specifications:

- Driver: 34mm Neodymium magnet
- Frequency Response: 18Hz ~ 22kHz
- Impedance: 32ohms
- Sensitivity (1kHz): 102dB/mW
- Wireless Technology: *Bluetooth* 2.1 + EDR (Enhanced Data Rate)
- Bluetooth Profiles: A2DP (Wireless stereo *Bluetooth*), AVRCP (*Bluetooth* remote control)
- Audio Codec: apt-X, SBC
- Operating Frequency: 2402 – 2480 MHz
- Operating Range: Up to 10m / 33ft
- Power Supply: Rechargeable Lithium Ion battery, 3.7V, 240mAh
- Charge / Playback time: 1 hour / 8 hours
- Net Weight: 107g / 3.8oz

Safety Information

Refer to the following information to use your product safely, and to reduce the chance of electric shock, short-circuiting, damage, fire, hearing impairment or other hazards. Improper handling may void the warranty for your product. For more information, read the warranty available with your product.

- Do not dismantle or attempt to repair your product. Refer all servicing to authorized repair agents.
- Do not expose your product to temperatures outside the range of 0°C to 45°C (32°F to 113°F).
- Do not pierce, crush or set fire to your product.
- Keep your product away from strong magnetic objects.
- Do not subject your product to excessive force or impact.
- Do not expose your product to water or moisture. If your product is moisture-resistant, take care not to immerse your product in water or expose it to rain.

Earphones

- When a conductive apparatus such as earphones, is used in close proximity with a CRT television or CRT monitor, the latter may emit an electrostatic discharge. This electrostatic discharge can be felt as a static shock. While this static shock is usually harmless, it is good practice to avoid close contact with CRT devices when using earphones.
- Do not listen to audio on your earbuds or headphones at high volume for prolonged periods of time as hearing loss may result. For users in the United States, go to www.hei.org for more information.
- Do not listen to your audio device at high volume when driving, cycling or crossing the road, especially in heavy traffic, or in any other traffic condition where such use will hinder safe travel on the roads. We recommend that consumers be extremely cautious when using this device on the road.

Embedded Battery

- Do not attempt to remove the embedded battery. The product must be disposed of according to local environmental regulations. To replace the battery, return your product to your regional support office. For product service information, go to www.creative.com.
- Do not expose to excessive heat such as sunshine, fire or the like

CAUTION: Risk of explosion if battery is replaced by incorrect types.

Bluetooth Wireless Device

- The shortwave radio frequency signals of a *Bluetooth* device may impair the operation of other electronic and medical devices.
- Switch off the device where it is prohibited. Do not use the device in medical facilities, aircraft, refueling points, close to automatic doors, automatic fire alarms or other automatically controlled devices
- Keep this device at least 20cm from pacemakers and other medical devices. Radio waves may impair the operation of pacemakers and other medical devices.

California Proposition 65 Statement

WARNING: Handling this product may expose you to chemicals known to the State of California to cause cancer and birth defects or other reproductive harm. ***Wash hands after handling.***

Explanatory Note:

California Safe Drinking Water and Toxic Enforcement Act of 1986 (Proposition 65) requires special product labeling for products containing certain chemicals known to the State of California to cause cancer, birth defects or other reproductive harm. Creative has chosen to provide a warning based on its knowledge about the presence of one or more listed chemicals without attempting to evaluate the level of exposure. With Creative's products, the exposure may be below the Proposition 65 level of concern, or could even be zero. However, out of an abundance of caution, Creative has elected to place the Proposition 65 warning on its products.

Compliance And Regulatory Information

The following sections contain notices for various countries:

Caution

This product is intended for use with FCC/CE certified computer equipment. Please check the equipment operating/installation manual and/or with the equipment manufacturer to verify/confirm if your equipment is suitable prior to the installation or use of the product.

Notice for USA

FCC Part 15: This equipment has been tested and found to comply with the limits for a Class B digital device, pursuant to Part 15 of the FCC Rules. These limits are designed to provide reasonable protection against harmful interference in a residential installation. This equipment generates, uses and can radiate radio frequency energy and, if not installed and used in accordance with the instructions, may cause harmful interference to radio communications. However, there is no guarantee that interference will not occur in a particular installation. If this equipment does cause harmful interference to radio or television reception, which can be determined by turning the equipment off and on, the user is encouraged to try to correct the interference by one or more of the following measures:

- Reorient or relocate the receiving antenna.
- Increase the separation between the equipment and receiver.
- Connect the equipment into an outlet on a circuit different from that to which the receiver is connected.
- Consult the dealer or an experienced radio/TV technician for help.

This device complies with part 15 of the FCC Rules. Operation is subject to the following two conditions:

1. This device may not cause harmful interference, and
2. This device must accept any interference received, including interference that may cause undesired operation.

Caution

To comply with the limits of the Class B digital device, pursuant to Part 15 of the FCC Rules, this device must be installed with computer equipment certified to comply with Class B limits. All cables used to connect to the computer and peripherals must be shielded and grounded. Operation with non-certified computers or non-shielded cables may result in interference to radio or television reception.

Modification

Any changes or modifications not expressly approved by the grantee of this device could void the user's authority to operate the device.

Federal Communication Commission (FCC) Radiation Exposure Statement

This equipment complies with FCC radiation exposure limits set forth for an uncontrolled environment. This transmitter must not be co-located or operating in conjunction with any other antenna or transmitter. It passes the SAR test or OET 65 standard.

Notice for Canada

This Class B digital apparatus complies with Canadian ICES-003.

Cet appareil numérique de la classe B est conforme à la norme NMB-003 du Canada.

Operation is subject to the following two conditions:

- (1) this device may not cause interference, and
- (2) this device must accept any interference, including interference that may cause undesired operation of the device.

Son Fonctionnement est soumis aux deux conditions suivantes:

- (1) Le matériel ne peut être source D'interférences et
- (2) Doit accepter toutes les interférence reques, Y compris celles pouvant provoquer un fonctionnement indésirable.

Canadian Class B Statement

This digital device does not exceed the Class B limits for radio noise emissions from digital apparatus as set out in the interference-causing equipment standard entitled "Digital Apparatus," ICES-003 of the Department of Communications.

Cet appareil numérique respecte les limites de bruits radioélectriques applicables aux appareils numériques de Classe B prescrites dans la norme sur le matériel brouilleur: "Appareils Numériques," NMB-003 édictée par le ministre des Communications.

Modification:

Any changes or modifications not expressly approved by the grantee of this device could void the user's authority to operate the device.

Toute modification non approuvée explicitement par le fournisseur de licence de l'appareil peut entraîner l'annulation du droit de l'utilisateur à utiliser l'appareil.