

## Safety and Regulatory Information

The following sections contain notices for various countries:

### NOTICE FOR THE U.S.

FCC Part15: This equipment has been tested and found to comply with the limits for a Class B digital device, pursuant to Part 15 of the FCC Rules. These limits are designed to provide reasonable protection against harmful interference in a residential installation. This equipment generates, uses, and can radiate radio frequency energy and, if not installed and used in accordance with the instructions, may cause harmful interference to radio communications. However, this notice is not guaranteed that interference will not occur in a particular installation. If this equipment does cause harmful interference to radio or television reception, which can be determined by turning the equipment off and on, the user is encouraged to try one or more of the following measures:

- Reorient or relocate the receiving antenna.
- Increase the distance between the equipment and receiver.
- Connect the equipment to an outlet on a circuit different from that to which the receiver is connected.
- Consult the dealer or an experienced radio/TV technician.

CAUTION: To comply with the limits for the Class B digital services, pursuant to Part 15 of the FCC Rules, this device must be installed with computer equipment certified to comply with the Class B limits.

### Modifications

Any changes or modifications not expressly approved by the grantee of this device could void the user's authority to operate the device.

### NOTICE FOR CANADA

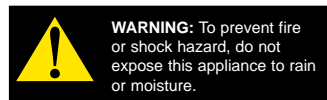
This apparatus complies with the Class 'B' limits for radio interference as specified in the Canadian Department of Communications Radio Interference Regulations.



EAX® technology delivers advanced audio functionality and performance, adding sophisticated audio processing capabilities, interactive and high-definition sound to digital entertainment. EAX technologies are implemented across a range of audio solutions, system software, application software, and application programming interfaces (APIs) from Creative. With EAX technology-enabled products, you can shape and customize your audio experience. Certain EAX features provide advanced audio capabilities for music composition and sound design. EAX technology is redefining the audio experience.

The Creative Inspire T7700 speaker system is equipped with Creative Multi-Speaker System (CMSS) technology, an innovative EAX multi-channel up-mixing functionality for an enveloping surround environment. CMSS dramatically enhances the playback of 5.1/6.1 audio soundtracks and music files across the full 7.1 speaker configuration. Simply enable the CMSS feature and you will get full, immersive 7.1 surround when combined with a Sound Blaster Audigy2 or Sound Blaster Live! 5.1 sound card. In addition, when used with a Sound Blaster Audigy 2 ZS sound card, you can enjoy realistic playback of your Dolby Digital Surround EX titles with your PC.

For more information on EAX, be sure to visit [www.EAX.creative.com](http://www.EAX.creative.com).



### Important Notice

The serial number for your Creative Inspire T7700 is located on the subwoofer. Please write this number down and keep it in a secure place.

## Declaration of Conformity

Manufacturer  
/Importer's Name: **Creative Labs, Inc.**

Manufacturer  
/Importer's Address: **1901 McCarthy Boulevard  
Milpitas, CA. 95035  
United States  
Tel: (408) 428-6600**

declares under its sole responsibility that the product

Trade Name: **Creative Labs**  
Model Numbers: **MF7005**

**has been tested according to the FCC/CISPR22/97 requirement for class B devices and found compliant with the following standards:**

**EMI/EMC: ANSI C63.4 1992, FCC Part 15 Subpart B  
Complies with Canadian ICES-003 Class B**

This device complies with part 15 of the FCC Rules. Operation is subject to the following two conditions:  
1. This device may not cause harmful interference, and  
2. This device must accept any interference received, including interference that may cause undesirable operation.

Ce matériel est conforme à la section 15 des règles FCC. Son Fonctionnement est soumis aux deux conditions suivantes:

1. Le matériel ne peut être source D'interférences et
2. Doit accepter toutes les interférences reçues, Y compris celles pouvant provoquer un fonctionnement indésirable.

Compliance Manager  
Creative Labs, Inc.  
18 July, 2003

June  
© 2003, Creative Technology Ltd. All rights reserved. The Creative logo, Sound Blaster and the Sound Blaster logo, are registered trademarks and Inspire, Creative Inspire, Exigy, MuVo, the EAX logo, Audigy, Sound Blaster Audigy and EAX ADVANCED HD are trademarks of Creative Technology Ltd. in the United States and other countries. All other logos, brand or product names are trademarks or registered trademarks of their respective holders and are hereby recognized as such. All specifications are subject to change without notice. Use of this product is subject to a limited warranty. Actual contents may differ slightly from those pictured.

P/N 03MF70050000 Rev. A

# Creative Inspire™ T7700

## Multimedia Speaker System

MULTIMEDIA HOPARLÖR SISTEMI

多媒體喇叭系統

マルチメディア スピーカー システム

多媒体音箱系統

### Quick Start Guide

Démarrage rapide

Instalación rápida

Introdução Rápida

Hızlı Başlat Kılavuzu

快速開始指南

クイックスタートガイド

快速安裝指南



CREATIVE

EAX

## English Français Español Português do Brasil Türkçe 繁體中文 日本語 简体中文

### Important Safety Instructions

**Read and Follow Instructions**  
All safety and operating instructions should be read and followed.

**Cleaning**  
Unplug the power supply adapter from the wall outlet or power source before cleaning. Do not use liquid cleaners or aerosol cleaners. Use a damp cloth for cleaning.

**Placement**  
Do not place the speaker system on an unstable cart, stand, tripod, bracket, or table. The speaker may fall, causing injury to a person, and serious damage to the product.

**Power Sources**  
This speaker system is specifically designed for operation within the electrical range(s) specified on the provided power adapter and use outside of this range shall be at your own risk.

Please contact your local electric utility company if you have any questions about the electrical voltage at your intended location of usage.

**Servicing**  
Do not attempt to service any part of the speaker yourself as opening or removing covers may expose you to dangerous voltage or other hazards. Refer all servicing to qualified service personnel.

**Compliance**  
This product conforms to the following Council Directive: Directive 89/336/EEC (EMC), 92/31/EEC (EMC), 73/23/EEC (LVD)

### Specifications

**Creative Inspire T7700**  
Satellite speaker:  
**8 watts RMS per channel**  
Center Satellite Speaker:  
**20 watts RMS**  
Subwoofer:  
**24 watts RMS**  
Signal-to-Noise Ratio:  
**80dB**  
Frequency Response:  
**40Hz - 20kHz**

These specifications apply to Creative Inspire T7700 operating from the supplied 13.5V AC 6A power adapter.

### Instructions importantes concernant la sécurité

**Lire et suivre les instructions**  
Lisez et suivez attentivement toutes les instructions de sécurité et d'utilisation.

**Nettoyage**  
Débranchez l'adaptateur de la prise murale ou de toute autre source électrique avant de procéder au nettoyage de l'appareil. N'utilisez pas de nettoyants liquides ou en aérosol. Utilisez un chiffon humide.

**Positionnement des haut-parleurs**  
N'installez pas le système de haut-parleurs sur une table roulante, un trépied, une console ou tout autre support instable.

Le système de haut-parleurs risque de tomber et d'être sérieusement endommagé mais également de blesser une personne.

**Sources d'alimentation**  
Ce système de haut-parleurs est spécialement conçu pour fonctionner avec les tensions électriques indiquées sur la prise d'alimentation fournie. L'utilisation de tensions non préconisées est à votre propre risque.

Contactez votre compagnie d'électricité pour toute question concernant la tension électrique à l'endroit d'utilisation prévu.

**Réparation**  
N'essayez pas de réparer le système de haut-parleurs vous-même. Ouvrir ou retirer les parties protectrices de l'appareil peut vous exposer à des composants électriques sous haute tension ou à d'autres risques. Toute réparation doit être effectuée par un personnel qualifié.

### Spécifications

**Creative Inspire T7700**  
Haut-parleur satellite :  
**8 watts RMS par canal**  
Satellite central:  
**20 watts RMS**  
Caisson de basse :  
**24 watts RMS**  
rapport signal/bruit:  
**80dB**  
réponse en fréquence:  
**40Hz - 20kHz**

Ces spécifications s'appliquent au modèle Creative Inspire T7700 fonctionnant avec la prise d'alimentation 13.5 V c.a. 6A fournie.

### Instrucciones importantes sobre seguridad

**Lea y siga las instrucciones**  
Debe leer y seguir todas las instrucciones sobre seguridad y funcionamiento.

**Limpieza**  
Antes de efectuar la limpieza, desenchufe el adaptador de alimentación de la toma o fuente de alimentación. No utilice limpiadores líquidos ni aerosoles. Utilice un paño húmedo.

**Colocación de los altavoces**  
No sitúe el altavoz en un carrito, estantería, trípode, soporte o mesa inestable.

El altavoz se podría caer y provocar graves lesiones a las personas y quedar seriamente dañado.

**Fuentes de alimentación**  
Este sistema de altavoces está especialmente diseñado para funcionar dentro de las amplitudes eléctricas especificadas en el adaptador de alimentación. El empleo de otras potencias que estén fuera de las mencionadas amplitudes queda a la entera responsabilidad del usuario.

Si tiene dudas con respecto al voltaje que le corresponde utilizar en su lugar de residencia, consulte a la compañía eléctrica local.

**Reparaciones**  
No intente reparar ninguna parte del altavoz por su cuenta. Si abre o retira las cubiertas, se puede ver expuesto a descargas eléctricas u otros riesgos. Deje las reparaciones en manos del personal de servicio cualificado.

### Especificaciones

**Creative Inspire T7700**  
Altavoz auxiliar:  
**8 vatios de carga eficaz por canal**  
Altavoz satélite central:  
**20 vatios de carga eficaz**  
Altavoz de graves:  
**24 vatios de carga eficaz**  
Cociente señal-ruido:  
**80dB**  
Respuesta de Frecuencia:  
**40Hz - 20kHz**

Estas especificaciones se aplican para el uso del Creative Inspire T7700 con el adaptador de alimentación de 13.5V CA 6A suministrado.

### Instruções importantes sobre segurança

**Leia e siga as instruções**  
Todas as instruções de segurança e de operação devem ser lidas e seguidas.

**Limpeza**  
Desconecte o adaptador de fonte de alimentação da tomada elétrica ou fonte de energia antes de limpar. Não use produtos de limpeza líquidos ou em aerosol. Use uma flanela umedecida para limpar.

**Posicionamento do sistema de caixas**  
Não coloque o sistema de caixas de som em um carro, estante, tripé, suporte ou mesa instável.

As caixas podem cair, machucando pessoas e causando danos ao produto.

**Fontes de Alimentação**  
Este sistema de som foi desenvolvido especificamente para operação dentro da faixa elétrica especificada no adaptador de alimentação fornecido e a utilização fora dessa faixa ficará por sua conta e risco.

Entre em contato com sua companhia elétrica se tiver dúvidas com relação à voltagem do local de utilização desejado.

**Manutenção**  
Não tente você mesmo fazer manutenção em qualquer parte das caixas de som; a abertura ou remoção das tampas pode expô-lo a voltagens perigosas e outros riscos. Qualquer manutenção deve ser feita por pessoal qualificado.

### Especificações

**Creative Inspire T7700**  
Alto-falante:  
**RMS de 8 watts por canal**  
Altoparlante satélite central:  
**RMS de 20 watts**  
Subwoofer:  
**RMS de 24 watts**  
Relação sinal/ruído:  
**80dB**  
Resposta de frequência:  
**40Hz a 20kHz**

Estas especificações aplicam-se a Creative Inspire T7700 operando a partir do adaptador de alimentação de 13.5V CA 6A fornecido.

### Önemli emniyet talimatları

**Talimatları okuyun ve takip edin**  
Tüm emniyet ve işlemler talimatlarını okunması ve takip edilmesi gerekir.

**Temizleme**  
Temizleme işlemlerinden önce gerilim besleme adaptörünü duvardaki güç kaynağı prizinden çıkarın. Sıvı temizleyici ya da aerosol temizleyici kullanmayın. Temizlik için nemli bir bez kullanın.

**Yerleştirme**  
Hoparlör sistemini sabit olmayan bir sürgü, stand, tripod, destek ya da masa üzerine yerleştirmeyin. Bu durumda hoparlörler düşebilir ve yaralanmaya sebep olup ürün ciddi biçimde hasar görebilir.

**Güç kaynağı**  
Bu hoparlör sistemi, ürün ile birlikte sevdiğiniz adaptörünüzün üzerinde yazan voltaj aralığında / aralıklarında çalıştırılmak üzere özel olarak tasarlanmıştır; bu aralık dışında yapılacak işlemin riskini siz üstlenirsiniz. Çıhazı kullanacağınız yerdeki elektrik voltajı hakkında sorunuz olmasa durumunda, lütfen yerel elektrik idarene başvurun.

**Servis hizmeti**  
Lütfen cihazın hiçbir parçasını kendi başınıza onarmaya kalkmayın, aksi halde kapakların çıkarılması sizi tehlikeli elektrik akımları ya da diğer tehlikeler ile karşı karşıya bırakabilir. Tüm servis hizmetlerini, yetkili servis personeline bırakın.

**Sikayetler**  
Bu ürün aşağıdaki danışma kurulu yönetimine uygunluk gösterir: Yönerge 89/336/EEC (EMC), 92/31/EEC (EMC) 73/23/EEC (LVD)

### Spesifikasyonlar

**Creative Inspire T7700**  
Satellite hoparlör:  
**Kanal başına 8 watt RMS**  
Orta Satellite hoparlör:  
**20 watt RMS**  
Subwoofer:  
**24 watt RMS**  
İşaret-Gürültü Gücü  
Oran: **80dB**  
Frekans Yanıtı:  
**40Hz - 20kHz**

Bu spesifikasyonlar, 13.5V AC 6A güç adaptörüyle beslenen Creative Inspire T7700 cihazı için geçerlidir.

### 重要的安全說明

**閱讀並按照說明操作**  
所有的安全與操作說明都應該通讀並按照說明操作。

**清潔**  
清潔之前，從牆壁插座或其他電源上拔下變壓器的插頭。請勿使用液體或氣霧劑之類的清洗劑。使用濕布擦洗。

**放置**  
請勿將喇叭系統放在不穩定的車上、掛物架上、三腳架上、拖架上或者餐桌上。

這樣做會使喇叭掉下來，對人造成傷害，同時也使產品受到損害。

**電源**  
本喇叭須在隨產品附帶的電源供應器上指定的電壓範圍內使用，否則將對您構成危險。

如果您對於當地的電壓狀況有疑問，請諮詢當地電力部門。

### 規格

**Creative Inspire T7700**  
衛星喇叭：  
**每聲道 8 瓦輸出功率**  
中置環繞喇叭：  
**20 瓦輸出功率**  
重低音音箱：  
**24 瓦輸出功率**  
訊噪比：  
**80dB**  
頻率響應：  
**40Hz 至 20kHz**

本規格只適用於 Creative Inspire T7700 所附帶的 13.5 伏交流 6 安培電源供應器提供電力的工作狀態。

### 安全に関する重要な説明

**操作説明の遵守**  
安全に関する説明と操作説明を十分に読み守って下さい。

**清掃**  
清掃前には、AC アダプターをサブウーファーから外して下さい。液体洗剤やエアロゾル洗剤は使用しないで下さい。清掃には、柔らかい布をご使用下さい。

**設置場所**  
スピーカーを不安定なカート、スタンド、三脚、ブラケット、又は、テーブルに設置しないで下さい。スピーカーを落とすと、子供や大人が重傷を負ったり、製品が破損する恐れがあります。

**電源**  
このスピーカーは、付属の AC アダプターで動作するように設計されています。付属している AC アダプター以外の AC アダプターは使用しないで下さい。

**修理**  
高電圧部や他の危険な箇所が露出して感電をおこす危険性がある為、カバーを開けたり取り外したりしてスピーカーを yourself で修理することは避けて下さい。修理は、弊社カスタマーサービス係りにお問い合わせ下さい。

**準拠**  
本製品は以下の審議会指示に準拠しています。  
DIRECTIVE 89/336/EEC (EMC), 92/31/EEC (EMC) 73/23/EEC (LVD)

### 仕様

**Creative Inspire T7700**  
サテライトスピーカー：  
**8 watts RMS/ チャンネル**  
センタースピーカー：  
**20 watts RMS**  
サブウーファー：  
**24 watts RMS**  
SNR (SN 比)：  
**80dB**  
周波数特性：  
**40Hz～20kHz**

これらの仕様は、付属の 13.5V AC 6A 電源アダプターで動作させた場合です。

### 重要安全说明

**阅读并遵守此说明**  
必需阅读并遵守所有的安全及操作说明。

**清洁**  
进行清洁之前，先从墙体插座或其它电源上拔下电源插头。不要使用液体清洁剂或喷雾剂。请使用湿布进行清洁。

**摆放**  
请勿将本音箱系统放在不稳定的车上、挂物架上、三脚架上、拖架上、或者桌子上。

这样做可能会使音箱掉下来，伤害周围的人，同时也会使产品受到严重损害。

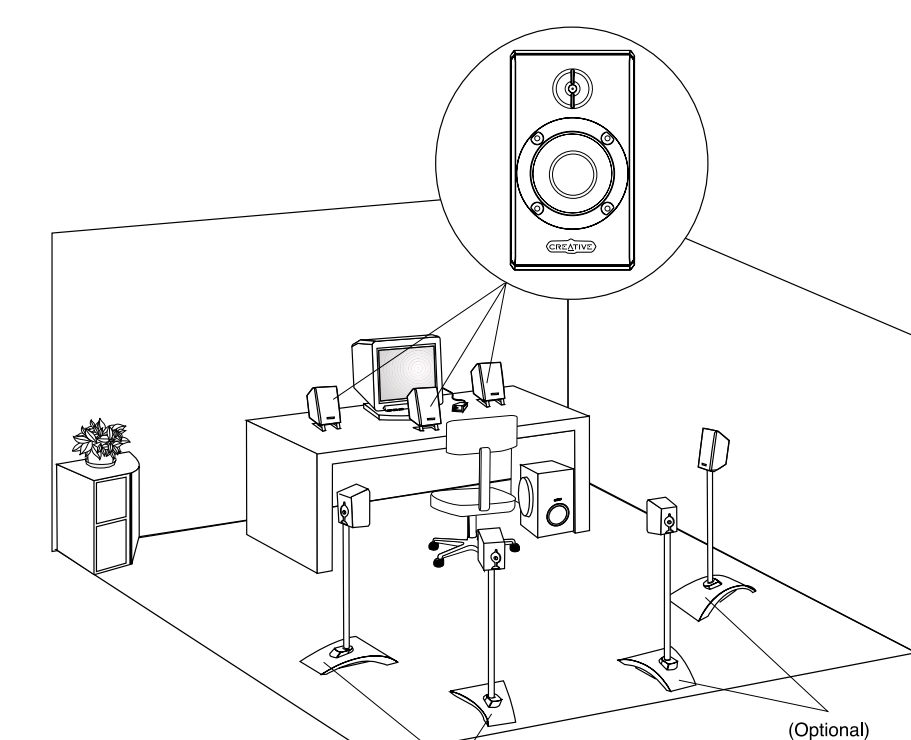
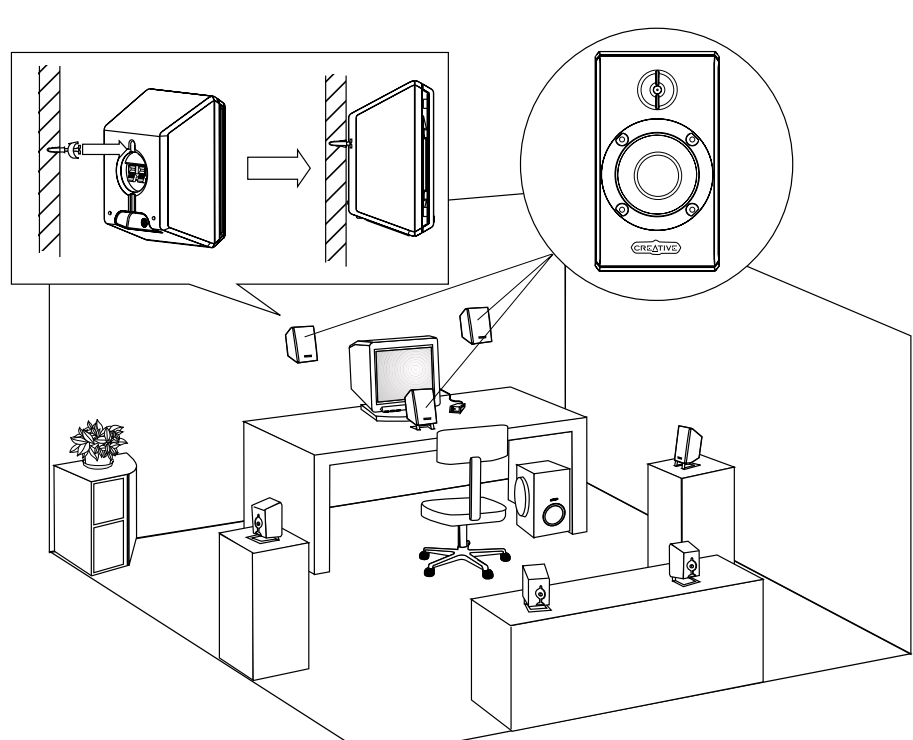
**电源**  
本音箱须在随产品附带的变压器上指定的电压范围内使用，否则将对您构成危险。

如果您对于本地的电压状况存有疑问，请咨询当地电力部门。

### 规格

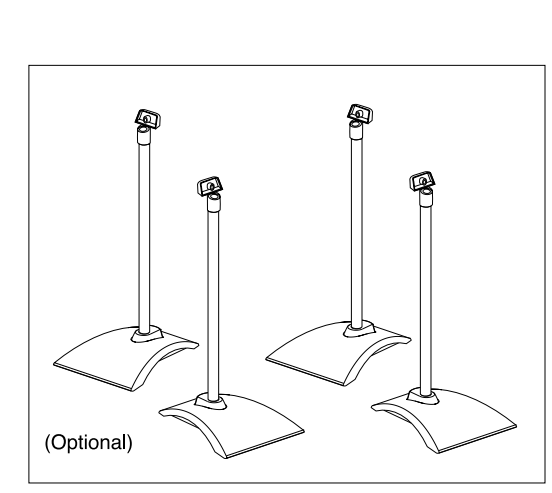
**Creative Inspire T7700**  
音箱系统：  
**额定功率 8 瓦 (每声道)**  
中置环绕音箱：  
**额定功率 20 瓦**  
低音炮：  
**额定功率 24 瓦**  
信噪比：  
**80dB**  
频率响应：  
**40Hz 至 20kHz**

本规格只适用于 Creative Inspire T7700 由附带的 13.5V 交流 6A 变压器提供电力的工作状态。



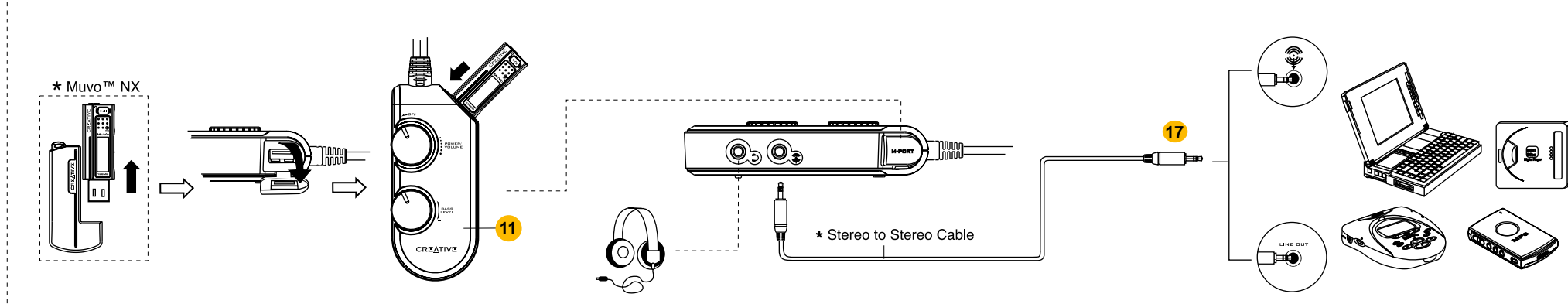
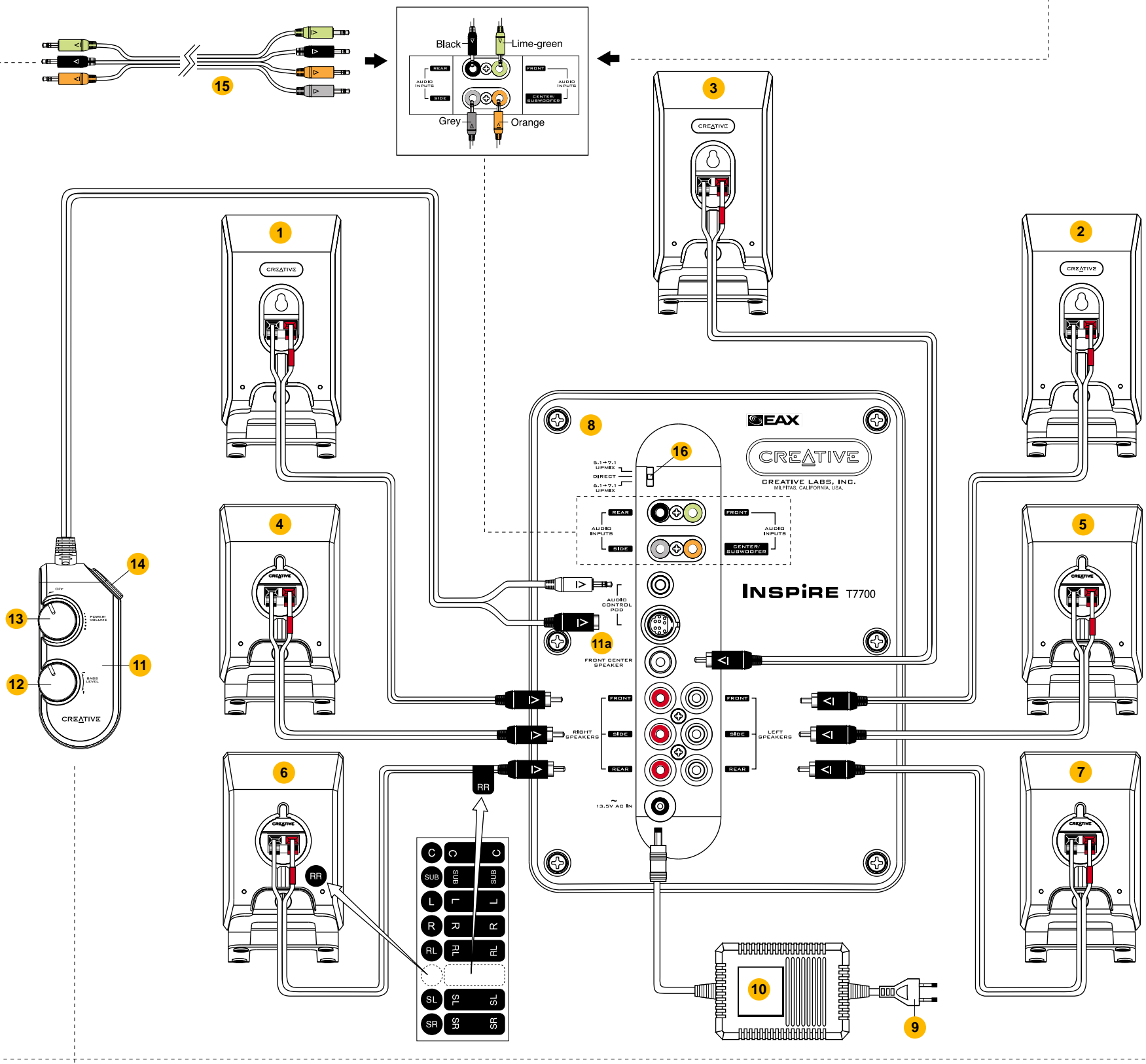
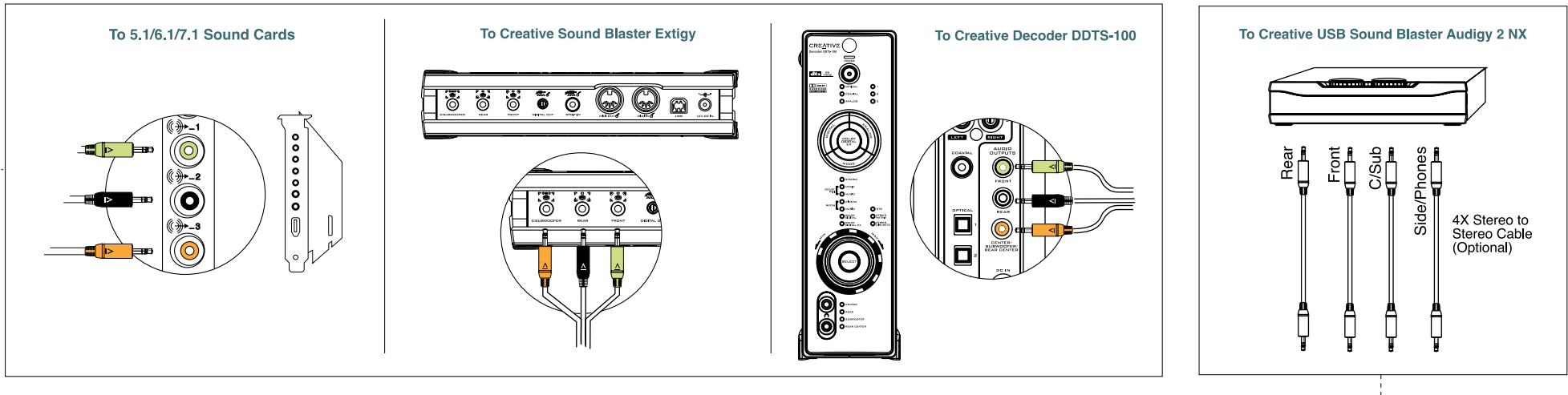
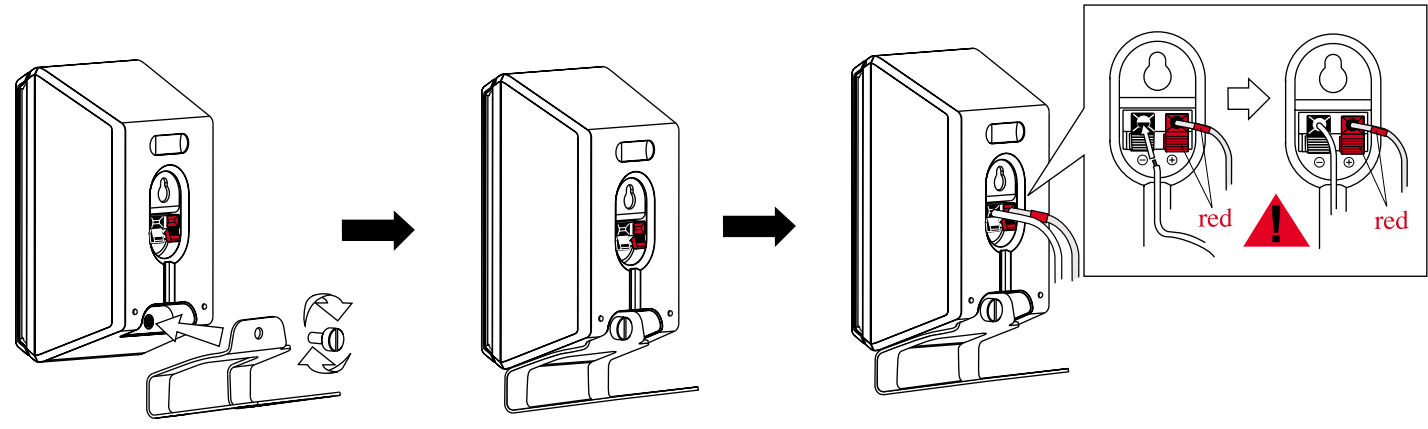
- (Optional) Rear satellite floor stands are sold separately. For more information, please refer to <http://www.creative.com>
- (Facultatif) Des socles pour haut-parleurs satellites arrières sont disponibles séparément. Pour plus d'informations, visitez notre site Web à l'adresse <http://www.creative.com>
- (Opcional) Puede adquirir por separado soportes para los altavoces traseros. Para más información, visite nuestro sitio en <http://www.creative.com>
- (Opcional) Os suportes de chão para as caixas acústicas satélites posteriores são vendidos separadamente. Para maiores informações, consulte <http://www.creative.com>

- (Seçenek dahilinde) Arka satellite hoparlör ayakları ayrı olarak satılmaktadır. Daha fazla bilgi için lütfen <http://www.creative.com> adresini ziyaret edin
- (選購品) 衛星喇叭的專用腳架需另行購買。詳情請訪問 <http://www.creative.com>
- リアスピーカー用フロアスタンドはオプション(別売り)です。詳細は弊社ホームページ<http://www.creative.com>をご覧ください。
- (選購件) 后置音箱落地支架单独出售。詳情請訪問 <http://www.creative.com>





- **Connectivity Diagram**
- **Schéma de connexion**
- **Diagrama de conectividad**
- **Diagrama de conectividade**
- **Bağlantı diyagramı**
- 連接示意圖
- 接続図
- 连接示意图



\* •Optional(Sold Separately) • facultatif (vendu séparément) • opcional (se vende por separado) • opcional (vendido separadamente) • isteğe bağlı (ayrı olarak satılır) • 選購配件(另行購買) • オプション (別売) • 选购件(另行购买)

English	Français	Español	Português do Brasil	Türkçe	繁體中文	日本語	简体中文
<b>⚠ Cable With Red Sleeve Inserted Into + (Red) Terminal</b>	<b>Cable avec douille rouge insérée dans la borne +(rouge)</b>	<b>Cable con una funda roja insertada dentro + terminal +(rojo)</b>	<b>Cabo com indicador vermelho inserido no terminal +(vermelho)</b>	<b>Kırmızı renkli kablo +(kırmızı) uca takılır</b>	<b>紅色連接線需插入 + 红色的連接埠中</b>	<b>ケーブル正極 (赤) を + 端子 (赤) に接続</b>	<b>红色连接线需插入 + 红色的接口中</b>
<b>1 Front Right Satellite Speaker</b>	<b>Satellite avant droit</b>	<b>Altavoz auxiliar derecho frontal</b>	<b>Alto-falante de satélite frontal direito</b>	<b>Sağ ön satellite hoparlör</b>	<b>前右環繞喇叭</b>	<b>フロント右サテライトスピーカー</b>	<b>前右环绕音箱</b>
<b>2 Front Left Satellite Speaker</b>	<b>Satellite avant gauche</b>	<b>Altavoz auxiliar izquierdo frontal</b>	<b>Alto-falante de satélite frontal esquerdo</b>	<b>Sol ön satellite hoparlör</b>	<b>前左環繞喇叭</b>	<b>フロント左サテライトスピーカー</b>	<b>前左环绕音箱</b>
<b>3 Center Satellite Speaker</b>	<b>Satellite central</b>	<b>Altavoz auxiliar central</b>	<b>Alto-falante de satélite central</b>	<b>Orta satellite hoparlör</b>	<b>中置環繞喇叭</b>	<b>センターサテライトスピーカー</b>	<b>中置环绕音箱</b>
<b>4 Side Right Satellite Speaker</b>	<b>Satellite latéral droit</b>	<b>Altavoz auxiliar derecho lateral</b>	<b>Alto-falante de satélite lateral direito</b>	<b>Sağ yan satellite hoparlör</b>	<b>側右環繞喇叭</b>	<b>サイド右サテライトスピーカー</b>	<b>側右环绕音箱</b>
<b>5 Side Left Satellite Speaker</b>	<b>Satellite latéral gauche</b>	<b>Altavoz auxiliar izquierdo lateral</b>	<b>Alto-falante de satélite lateral esquerdo</b>	<b>Sol yan satellite hoparlör</b>	<b>側左環繞喇叭</b>	<b>サイド左サテライトスピーカー</b>	<b>側左环绕音箱</b>
<b>6 Rear Right Satellite Speaker</b>	<b>Satellite arrière droit</b>	<b>Altavoz auxiliar derecho posterior</b>	<b>Alto-falante de satélite traseiro direito</b>	<b>Sağ arka satellite hoparlör</b>	<b>後右環繞喇叭</b>	<b>リア右サテライトスピーカー</b>	<b>后右环绕音箱</b>
<b>7 Rear Left Satellite Speaker</b>	<b>Satellite arrière gauche</b>	<b>Altavoz auxiliar izquierdo posterior</b>	<b>Alto-falante de satélite traseiro esquerdo</b>	<b>Sol arka satellite hoparlör</b>	<b>後左環繞喇叭</b>	<b>リア左サテライトスピーカー</b>	<b>后左环绕音箱</b>
<b>8 Subwoofer</b>	<b>Caisson de basses</b>	<b>Subgrave</b>	<b>Subwoofer</b>	<b>Subwoofer</b>	<b>重低音音箱</b>	<b>サブウーファー</b>	<b>低音炮</b>
<b>9 To Wall Outlet</b> (Disconnect when not in use for several days)	<b>Vers la prise murale</b> (Déconnectez le système si vous n'avez pas l'intention de l'utiliser pendant plusieurs jours)	<b>A la toma de corriente</b> (Desconectelo cuando no se vaya a utilizar durante varios días)	<b>Para Tomada Elétrica</b> (Desconecte quando não estiver em uso por vários dias)	<b>Duvar çıkışı</b> (Birkaç gün kullanılmayacak ise bağlantıyı kesin)	<b>至牆壁插座</b> (長時間不用時請拔下電源插頭)	<b>AC コンセントへ接続</b> (長時間不用時請拔下電源插頭)	<b>至牆壁插座</b> (長時間不用時請拔下電源插頭)
<b>10 Power Supply Adapter</b> (Types of adapter may vary in different countries)	<b>Adaptateur d'alimentation</b> (le modèle peut varier selon le pays)	<b>Adaptador de alimentación</b> (los tipos de adaptadores pueden variar según el país)	<b>Adaptador de Fonte de Alimentação</b> (Os tipos de adaptador podem variar em diferentes países)	<b>Güç kaynağı adaptörü</b> (Birkaç tipinin ülkelere göre farklılık göstermesi mümkündür)	<b>變壓器</b> (不同國家・變壓器類型可能不同)	<b>AC アダプター</b> (何種類かのアダプター以外は使用しないで下さい)	<b>變壓器</b> (不同國家, 變壓器類型可能不同)
<b>11 Audio Control Pod</b>	<b>Cosse de contrôle audio</b>	<b>Unidad de control de audio</b>	<b>Meça de controle de áudio</b>	<b>Ses Kontrol Bölümü</b>	<b>音效控制板</b>	<b>オーディオコントロールポッド</b>	<b>音效控制盒</b>
<b>11a Note Orientation</b>	<b>Orientation de note</b>	<b>Orientación de la nota</b>	<b>Orientações do aviso</b>	<b>Yerleşimine Dikkat Edin</b>	<b>注意方向</b>	<b>向きに注意</b>	<b>注意方向</b>
<b>12 Bass Level Control</b>	<b>Bouton de réglage des basses</b>	<b>Control de nivel de graves</b>	<b>Controle do nível de graves</b>	<b>Bas seviye kontrolü</b>	<b>低音旋鈕</b>	<b>バスレベルコントロール</b>	<b>低音音量控制</b>
<b>13 Volume Control With Power ON/OFF Switch</b>	<b>Contrôle du volume avec interrupteur on/off</b>	<b>Control de volumen con interruptor de encendido</b>	<b>Control de volume com chave de liga/desliga</b>	<b>Güç Açık/Kapalı Düşmesiyle Ses Yüksekliği Denetimi</b>	<b>帶電源開關的音量控制</b>	<b>オン / オフスイッチ付ボリュームコントロール</b>	<b>帶有電源開關的音量控制</b>
<b>14 M-PORT™</b> (Applicable to players that support M-PORT connector such as Creative® NOMAD™ MuVo™ NX)	<b>M-PORT™</b> (Adapté aux lecteurs prenant en charge un connecteur M-PORT, tel que Creative® NOMAD™ MuVo™ NX)	<b>M-PORT™</b> (Aplicable a reproductores que admitan conectores M-PORT, como Creative® NOMAD™ MuVo™ NX)	<b>M-PORT™</b> (Aplicável para reprodutores com suporte para conectores de M-PORT, como Creative® NOMAD™ MuVo™ NX)	<b>M-PORT™</b> (Creative® NOMAD™ MuVo™ NX gibi M-PORT bağlantılarını destekleyen cihazlarda kullanılabilir)	<b>M-PORT™</b> (適用於支援 M-PORT 連接埠・諸如 Creative® NOMAD™ MuVo™ NX 的播放機)	<b>M-PORT™</b> (Creative® NOMAD™ MuVo™ NX などの M-PORT コネクターをサポートするプレイヤーに適用可)	<b>M-PORT™</b> (适用于支持 M-PORT 接口・诸如 Creative® NOMAD™ MuVo™ NX 的播放机)
<b>15 7.1 Audio Cable</b>	<b>Câble audio 7.1</b>	<b>Cable de sonido 7.1</b>	<b>7.1 Cabo de áudio</b>	<b>7.1 Ses kablosu</b>	<b>7.1 音源線</b>	<b>7.1 チャンネルオーディオケーブル</b>	<b>7.1 音频线</b>
<b>16 Selector Switch</b> To create 7.1 channel Sound field (Recommended Setting) • 5.1 → 7.1: for 5.1 Soundcards Upmix (eg. Audigy, Live! 5.1) • Direct: for 7.1 Soundcards (eg. Audigy 2 ZS) • 6.1 → 7.1: for 6.1 Soundcards Upmix (eg. Audigy 2, DDTs-100) upmix	<b>Sélecteur</b> Pour créer un champ sonore à 7.1 canaux (paramètres recommandés) • 5.1 → 7.1: pour les cartes son 5.1 comme Audigy, Live! 5.1 upmix • Direct: pour les cartes 7.1 comme Audigy 2 ZS • 6.1 → 7.1: pour les cartes son 6.1 comme Audigy 2, DDTs-100 upmix	<b>Interruptor de selector</b> Para crear un campo de sonido de 7.1 canales (ajustes recomendados) • 5.1 → 7.1: Para tarjetas de sonido 5.1, p. ej., Audigy, Live! 5.1 mezcla • Direct: Para tarjetas 7.1, p. ej., Audigy 2 ZS • 6.1 → 7.1: Tarjetas de sonido 6.1, p. ej., Audigy 2, DDTs-100 mezcla	<b>Botão Seletor</b> Para criar campo de som de 7.1 canais (configurações recomendadas) • 5.1 → 7.1: Para placas de som 5.1, por exemplo, Audigy, Live! 5.1 upmix • Direto: Para placas 7.1, por exemplo Audigy 2 ZS • 6.1 → 7.1: Para placas de som 6.1, por exemplo, Audigy 2 upmix	<b>Seçme Anaharı</b> 7.1 kanallı ses alanı oluşturmak için (önerilen ayarlar) • 5.1 → 7.1: 5.1 ses kartları için, örn. Audigy, Sound Blaster Live! 5.1 upmix • Direkt: 7.1 ses kartları için, örn. Audigy 2 ZS • 6.1 → 7.1: 6.1 ses kartları için, örn. Audigy 2, DDTs-100 upmix	<b>選擇開關</b> 建立 7.1 聲道聲場 (推薦設定) • 5.1 → 7.1: 針對 5.1 聲卡・如 Audigy・Sound Blaster Live! 5.1 上混 • 直接: 針對 7.1 聲卡・如 Audigy 2 ZS • 6.1 → 7.1: 針對 6.1 聲卡・如 Audigy 2・DDTs-100 上混	<b>セレクタースイッチ</b> 建立 7.1 聲道聲場 (推薦設定) • 5.1 → 7.1 upmix: 5.1 オーディオデバイス (Live! 5.1 や Audigy など) • Direct: 7.1 チャンネルオーディオデバイス (Audigy 2 ZS など) • 6.1 → 7.1: 7.1 チャンネルオーディオデバイス (Audigy 2 や DDTs-100 など)	<b>选择开关</b> 创建 7.1 声道声场 (推荐设置) • 5.1 → 7.1: 针对 5.1 声卡・如 Audigy・Sound Blaster Live! 5.1 上混 • 直接: 针对 7.1 声卡・如 Audigy 2 ZS (Audigy 2 ZS 等) • 6.1 → 7.1: 针对 6.1 声卡・如 Audigy 2・DDTs-100 上混
<b>17 To Portable Audio Devices (Optional)</b>	<b>Vers périphériques audio portables</b> (En option)	<b>A dispositivos de audio portátiles</b> (Opcional)	<b>Para dispositivos de audio portátil</b> (Opcional)	<b>Taşınabilir Ses Aygıtları</b> (İsteğe Bağlı)	<b>接至可攜式音效設備</b> (選購品)	<b>ポータブルオーディオデバイスへ (オプション)</b>	<b>接至便携式音频播放设备</b> (另行购买)