

Crestron **MLX-3**
infiNET EX™ LCD Handheld Remote

Operations Guide



This document was prepared and written by the Technical Documentation department at:



Crestron Electronics, Inc.
15 Volvo Drive
Rockleigh, NJ 07647
1-888-CRESTRON

Regulatory Compliance

As of the date of manufacture, the MLX-3 has been tested and found to comply with specifications for CE marking and standards per EMC and Radiocommunications Compliance Labelling.



Federal Communications Commission (FCC) Compliance Statement

This device complies with part 15 of the FCC Rules. Operation is subject to the following conditions:

(1) This device may not cause harmful interference and (2) this device must accept any interference received, including interference that may cause undesired operation.

CAUTION: Changes or modifications not expressly approved by the manufacturer responsible for compliance could void the user's authority to operate the equipment.

NOTE: This equipment has been tested and found to comply with the limits for a Class B digital device, pursuant to part 15 of the FCC Rules. These limits are designed to provide reasonable protection against harmful interference in a residential installation. This equipment generates, uses and can radiate radio frequency energy and, if not installed and used in accordance with the instructions, may cause harmful interference to radio communications. However, there is no guarantee that interference will not occur in a particular installation. If this equipment does cause harmful interference to radio or television reception, which can be determined by turning the equipment off and on, the user is encouraged to try to correct the interference by one or more of the following measures:

- Reorient or relocate the receiving antenna
- Increase the separation between the equipment and receiver
- Connect the equipment into an outlet on a circuit different from that to which the receiver is connected
- Consult the dealer or an experienced radio/TV technician for help

Industry Canada (IC) Compliance Statement

Operation is subject to the following two conditions:

1. This device may not cause interference, and
2. This device must accept any interference, including interference that may cause undesired operation of the device.

To satisfy RF exposure requirements, this device and its antenna must operate with a separation distance of at least 20 centimeters from all persons and must not be colocated or operating in conjunction with any other antenna or transmitter.

Contents

infiNET EX™ LCD Handheld Remote: MLX-3	1
Introduction	1
Features and Functions	2
Specifications	2
Physical Description	3
Setup	5
Battery Installation	5
Identity Code	5
Configuring the MLX-3	5
Factory Reset Procedure	11
Programming Software	12
Earliest Version Software Requirements for the PC	12
Programming with Crestron SystemBuilder	12
Programming with SIMPL Windows	12
Programming with VisionTools Pro-e	15
Example Program	15
Uploading and Upgrading	16
Loading Projects	16
Projects and Firmware	17
Program Checks	17
Operation	18
Problem Solving	19
Troubleshooting	19
Check Network Wiring	19
Reference Documents	20
Further Inquiries	20
Future Updates	20
Appendix: Firmware Upgrades	22
Return and Warranty Policies	23
Merchandise Returns / Repair Service	23
CRESTRON Limited Warranty	23

infiNET EX™

LCD Handheld Remote: MLX-3

Introduction

The MLX-3 is a state-of-the-art handheld remote featuring Crestron® infiNET EX™ 2-way RF wireless communications. Its backlit LCD screen is capable of displaying dynamic text with true feedback capability, supporting scrolling menus of channels, media titles, and numerous other commands. An array of 57 individual push buttons provides intuitive, tactile control over everything from home theater to whole-house automation as part of a complete Crestron system. Its compact size and ergonomic design offer easy one-handed operation, while infiNET EX technology affords reliable 2-way wireless operation.

The MLX-3 has been designed to provide immediate responses for all functions like volume control, channel changing, and more, combined with a real-time LCD display for feedback. As a result, when a user picks up the remote to press a function such as volume, the command is transmitted and the LCD wakes up. In some cases, users will want to wake the LCD without transmitting a control function. This can easily be accomplished by designating one or more buttons on the remote, such as “HOME,” to wake the screen but, by default, not transmit a command.

The large, easy-to-read LCD screen supports the creation of numerous pages of custom menu functions, with electroluminescent backlighting for optimal visibility in a range of lighting environments. Bidirectional communication with the control system and other devices enables menu items to be updated dynamically, supporting anything from AV sources and TV channels, to lighting and climate control presets, to artist names and song titles. Each menu item can be executed simply using a set of ten corresponding push buttons. In addition to menu commands, the LCD can also display the time and date, lighting levels, room temperature, and other real-time information synched to the central control system.

An optimized button layout enables easy access to every system function, with 44 of the 57 programmable buttons labeled for power, volume, mute, channel selection, onscreen menu navigation, transport control, and alphanumeric entry. Electroluminescent blue button backlighting creates an alluring appearance while facilitating control in a darkened room.

Features and Functions

- Ergonomic handheld design
- Elegant high-gloss finish
- infiNET EX™ 2-way RF wireless technology
- 57 programmable buttons with blue EL backlight
- Backlit LCD screen with dynamic text display
- Operates on four AAA alkaline batteries

Specifications

Specifications for the MLX-3 are listed in the following table.

MLX-3 Specifications

SPECIFICATION	DETAILS
LCD Display	Monochrome 1.5 inch LCD screen (102 x120 Resolution); Displays static and dynamic text in 5 lines plus header and footer (7 lines total) with horizontal and vertical scrolling, dual-state text, and gauge/bargraph objects support
Backlight	
LCD Screen	White EL
Buttons	Blue EL
RF Wireless	
RF Transceiver	infiNET EX 2-way RF, 2.4 GHz ISM Channels 11-26 (2400 to 2483.6 MHz), IEEE 802.15.4 compliant
Range (typical)	100 feet indoor, subject to site-specific conditions
Gateway	Requires a CEN-RFGW-EX infiNET EX Gateway (sold separately)
Battery Power	Four (4) disposable 1.5V AAA alkaline batteries (included)
Default RF ID	03
Minimum 2-Series Control System Update File ^{1,2}	3.155.1240 (.CUZ file)
Environmental	
Temperature	32 to 122° F (0 to 50° C)
Humidity	10% to 90% RH (non-condensing)
Enclosure	Injection-molded plastic, high-gloss black finish
Dimensions	
Height	9.18 in (23.3 cm)
Width	2.56 in (6.5 cm)
Depth	1.11 in (2.8 cm)
Weight	6 oz (168 gm) without batteries
Required Accessory	
CEN-RFGW-EX	infiNET EX Gateway

1. The latest software versions can be obtained from the Crestron Web site. Refer to the NOTE following these footnotes.
2. Crestron 2-Series control systems include the AV2 and PRO2. Consult the latest Crestron Product Catalog for a complete list of 2-Series control systems.

NOTE: Crestron software and any files on the Web site are for authorized Crestron dealers and Crestron Authorized Independent Programmers (CAIP) only. New users may be required to register to obtain access to certain areas of the site (including the FTP site).

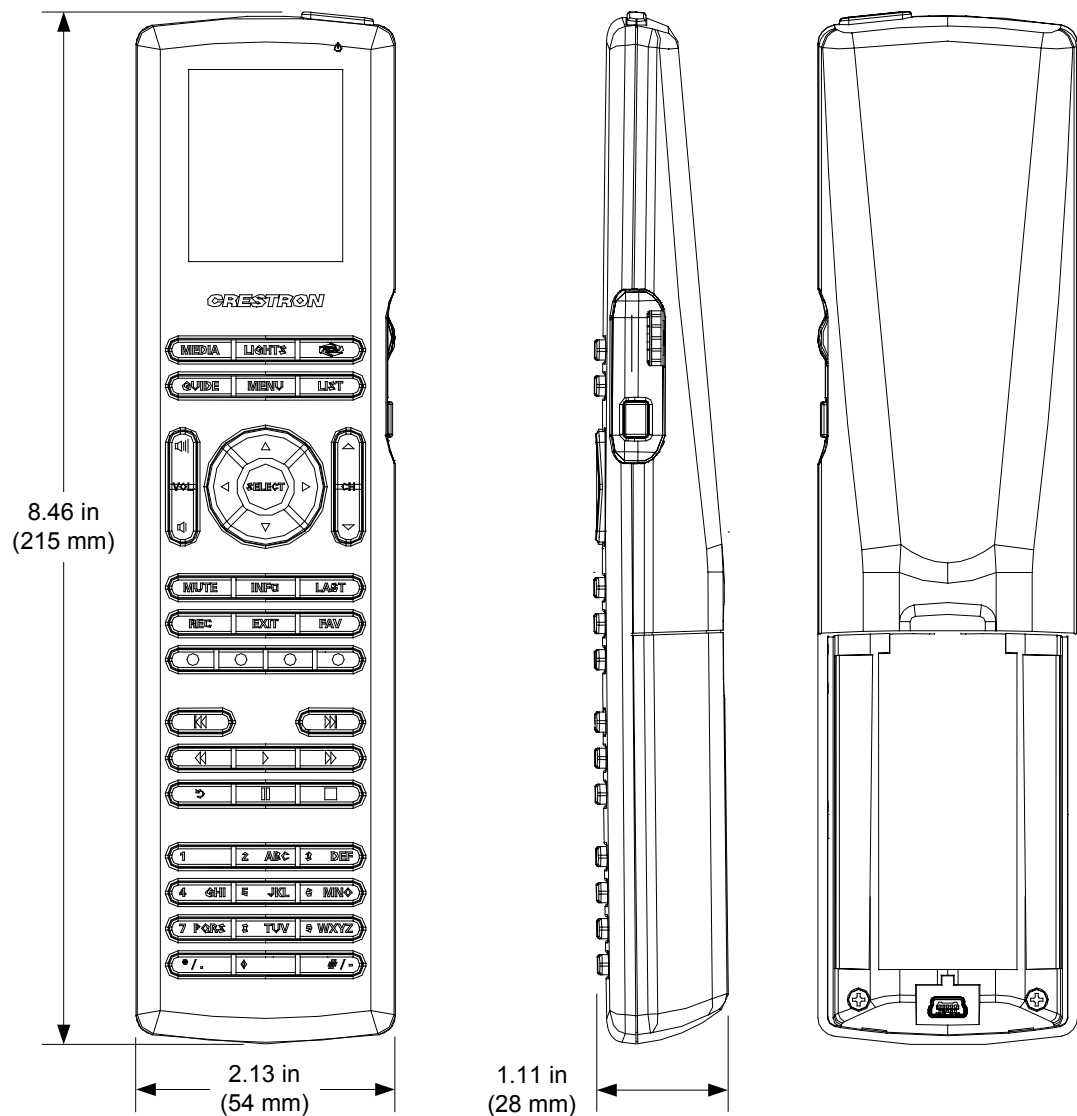
Physical Description

This section provides information on the connections, controls, and indicators available on your MLX-3.

MLX-3 Physical View



MLX-3 Overall Dimensions



MLX-3 Controls, Connectors, & Indicators

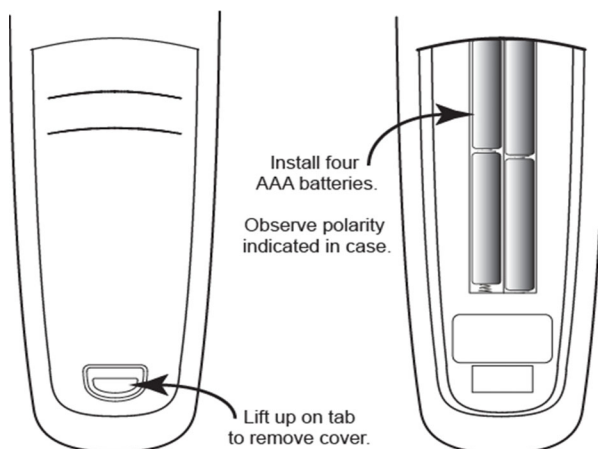
#	CONNECTORS, CONTROLS, & INDICATORS	DESCRIPTION
1	POWER	(1) programmable button for power functions.
2	LIGHTS	(1) programmable button for lighting functions.
3	Menu Buttons	(10) programmable buttons to actuate LCD menu commands.
4	◀, HOME, ▶	(3) programmable buttons to select LCD menu pages.
5	Device Control	(42) programmable function buttons labeled for volume, mute, channel, onscreen menu navigation, transport control, and alphanumeric entry.
6	USB Port	(1) USB port used only for uploading firmware, using supplied USB cable.

Setup

Battery Installation

Refer to the following illustration and install the four supplied AAA batteries.

Battery Installation



Identity Code

The RF ID of the MLX-3 has been factory set to **03**. The RF IDs of multiple MLX-3 devices communicating with the same gateway must be unique. RF IDs can be changed from the “Setup mode” on page 6, or from a personal computer (PC) via the Crestron Toolbox™. When setting the RF ID, consider the following:

1. The RF ID of each unit must match an ID code specified in the SIMPL™ Windows program.
2. Each RF device on the same gateway must have a unique RF ID.

For more details, refer to the Crestron Toolbox help file.

Configuring the MLX-3

When power is first applied to the MLX-3, the startup screen, shown to the left, is displayed. From this screen, press the ► key next to the **HOME** button to enter the remote *Setup* mode and display the “PROGRAM DEVICE” screen.

NOTE: If the unit has already been acquired, enter *Setup* mode by pressing the **CLR** (clear) and **ENT** (enter) buttons simultaneously for about three seconds.

The MLX-3 is shipped from the factory with firmware already installed. Prior to normal operation, it is necessary to configure the unit using the series of screens provided in the *Setup* mode, which begins on the next page.

The infiNET EX gateway, CEN-RFGW-EX, is required for the MLX-3 to communicate with a Crestron infiNET EX network. The gateway must be installed and operational and in the *Acquire* mode before beginning the remote *Setup* mode procedures. Refer to the latest version of the CEN-RFGW-EX Operations &

Startup Screen

Welcome to
Crestron's
MLX-2 remote.

Please press
the > key to
enter the remote
setup mode.

PAGE 1/1

Installation Guide (Doc. 6706) for details (www.crestron.com/manuals).

“PROGRAM DEVICE” Screen

PROGRAM DEVICE
BASIC SETUP
VIEW TSID
SET RFID
RF CHANNEL
ACQUIRE
PAGE 1/1

In *Setup* mode, use the menu buttons on either side of the function name displayed on the “PROGRAM DEVICE” screen to select that function.

The following paragraphs describe the setup options in the order listed in the menus.

NOTE: If this is a first-time setup or you are acquiring the MLX-3 to a new gateway, the acquire function must be performed before attempting to do the other setup operations. If the unit is already acquired and you are simply modifying one of the setup options, it is not necessary to do the acquire function, proceed directly to “BASIC SETUP Functions” that begin on the next page.

To begin *Setup* mode, press one of the menu buttons on either side of the **ACQUIRE** option. The screen displays navigation instructions that apply throughout the setup process.

ACQUIRE Function

NOTE: Before beginning the acquire function, make certain that the target CEN-RFGW-EX gateway is in *Acquire* mode.

This function lets you add the MLX-3 to your infiNET EX network. From the basic navigation screen, shown to the left, press **▶** next to the **HOME** button to enter the acquire function. Press **▶** again to start the process to add the MLX-3 to the network.

NOTE: Pressing the **HOME** button once typically takes you from whatever setup function you are performing back to the “BASIC SETUP” screen. Multiple presses or holding the button will exit *Setup* mode.

Basic Navigation Screen

Use < / > to navigate. At any time, press and hold HOME to exit. Press > to continue.
PAGE 1/1

The process to add this node to your network may take up to 90 seconds. Press > to Continue.
PAGE 1/1

Please wait for the add process to complete.
ADD ACTIVE
PAGE 1/1

Success! You have added this remote as a new node to Your RF network.
Press > to continue
PAGE 1/1

- If the MLX-3 is added to the network, the screen displays a “Success!” message. Press **▶** to continue. The display returns to the “PROGRAM

DEVICE” screen. Press **HOME** twice to exit the *Setup* mode so Toolbox can recognize the device being acquired to the gateway.

- If the MLX-3 is already acquired to another network, when you press ► to add it to this new network, a screen message instructs you to perform a factory reset in order to acquire it to the new network. Refer to “Factory Reset Procedure” on page 11.
- If the acquire process is not successful, the screen displays the following message for approximately five seconds: “The node addition failed. Try again or reference the manual for more assistance. Press ► to continue.” Refer to “Troubleshooting” on page 19.
- If you press ► in time, the display returns to the “PROGRAM DEVICE” screen. Otherwise, the display returns to the startup screen.

“BASIC SETUP” Screen

BASIC SETUP
VERSION INFO
CONTRAST
DISPLAY T/O
LIGHT T/O
PAGE 1/1

BASIC SETUP Functions

From the “PROGRAM DEVICE” screen, select **BASIC SETUP**. The “BASIC SETUP” screen, shown to the left, allows you to select and review the version information of the software and firmware programs currently loaded on the MLX-3 remote, and to review/adjust the contrast, display timeout, and backlight timeout settings.

Version Info

From the “BASIC SETUP” screen, select **VERSION INFO**. The “Version Info” screen displays the version numbers of the software and firmware programs currently loaded on the MLX-3 remote.

Version Info
Bootloader Ver: 3.0.0.3
Application Ver: 3.1.1.11
RF Firmware Ver: 3201
Setup File Ver: 0.0.2.1
Press > to continue.
PAGE 1/1

Follow the instruction to press the ► key to continue. The display returns to the “BASIC SETUP” screen, permitting you to set the screen contrast, display timeout, and backlight timeout levels, described in the following paragraphs.

Screen Contrast

From the “BASIC SETUP” screen, press one of the menu buttons on either side of the **CONTRAST** menu option to select the screen contrast function.

Contrast Setup

- CONTRAST +
SAVE
PAGE 1/1

- LEVEL 10 +
SAVE
PAGE 1/1

Contrast level successfully adjusted. Press > to continue.
PAGE 1/1

Press one of the menu buttons on either side of the – **CONTRAST+** display to show the current setting value. Use the menu buttons to adjust the contrast as desired. The range is from **MIN Level + (0)**, to **-MAX Level (12)** in single digit steps. When the desired setting is reached, press a menu button on either side of the **SAVE** menu option to accept the setting. The screen display confirms the adjustment. Press ► to continue. The display returns to the “BASIC SETUP” screen.

Display Timeout

From the “BASIC SETUP” screen, press one of the menu buttons on either side of the **DISPLAY T/O** menu option to select the display timeout setup function. This function sets the number of seconds of inactivity before the screen display is turned off (during normal operation; not in *Setup* mode).

Display Timeout Setup

-DISPLAY T/O+
SAVE
PAGE 1/1

- 5.0 +
SAVE
PAGE 1/1

Display Timeout successfully adjusted. Press > to continue.
PAGE 1/1

Press one of the menu buttons on either side of the – **DISPLAY T/O+** display to show the current setting value. Use the menu buttons to adjust the timeout value. The range is from **MIN Timeout + (1 second)**, to **-MAX Timeout (30 seconds)** in 0.5 second steps. Default setting is 5.0 seconds. When the desired setting is reached, press a menu button on either side of the **SAVE** menu option to accept the setting. The screen display confirms the adjustment. Press ► to continue. The display returns to the “BASIC SETUP” screen.

Backlight Timeout

From the “BASIC SETUP” screen, press one of the menu buttons on either side of the **LIGHT T/O** menu option to select the backlight timeout adjustment function. This setting determines the number of seconds of inactivity before the backlight is turned off. It affects both the button backlight and the screen backlight. This setting applies in *Setup* mode as well as during normal operation.

Backlight Timeout Setup

- LIGHT T/O +
SAVE
PAGE 1/1

- 5.0 +
SAVE
PAGE 1/1

Backlight Timeout successfully adjusted. Press > to continue.
PAGE 1/1

Press one of the menu buttons on either side of the – **LIGHT T/O+** display to show the current setting value. Use the menu buttons to adjust the value. The range is from **Light Off +** (0.0 seconds), to **-MAX Timeout** (30 seconds) in 0.5 second steps. The default is 5.0 seconds. When the desired setting is reached, press a menu button on either side of the **SAVE** option to accept the setting. The display confirms the adjustment. Press **>** to continue. The display returns to the “BASIC SETUP” screen.

Once you are finished with the basic setup functions, press the **HOME** key to return to the “PROGRAM DEVICE” screen.

“VIEW TSID” Screen

VIEW TSID
0x0034ad97
Press > to continue.
PAGE 1/1

View TSID

From the “PROGRAM DEVICE” screen, press one of the menu buttons on either side of the **VIEW TSID** option. The display shows the TSID number (32-bit number derived from the unit serial number).

Press ▶ to continue. The display returns to the “PROGRAM DEVICE” screen.

“NETWORK INFO” Screen

NETWORK INFO
CHANGE RFID
READ INFO
PAGE 1/1

Set RF ID

From the “PROGRAM DEVICE” screen, press one of the menu buttons on either side of the **SET RFID** option. The display shows the “NETWORK INFO” screen.

From the “NETWORK INFO” screen, press one of the menu buttons on either side of the **CHANGE RFID** menu option to display the RF ID adjustment screen.

RF ID Adjustment Screen

Press keys to Either side of RFID value to Adjust it. Press and hold keys for quick adjustments.
- 0x06 +
SAVE
PAGE 1/1

Follow the screen instructions to adjust the RF ID value. The value is a two-digit hexadecimal number ranging from 0x03 to 0xfe. The default value is 03. When the desired setting is reached, press a menu button on either side of the **SAVE** menu option to accept the setting. The screen display confirms the adjustment. Press ▶ to continue. The display returns to the “NETWORK INFO” screen.

RFID value successfully adjusted. Press > to continue.
PAGE 1/1

Read Info Screen

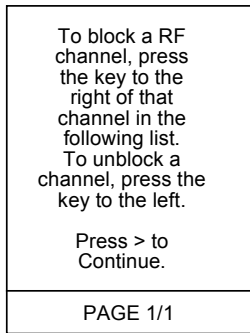
Network Info
Stored RFID: 0x03
Network ID: 0xffff
Short Address: 0xffff
RFChannel: 255
Press > to continue.
PAGE 1/1

From the “NETWORK INFO” screen, press one of the menu buttons on either side of the **READ INFO** menu option to display the stored information. In addition to the stored RF ID, the screen displays the Network ID, the Short Address, and the RF Channel.

Press ▶ to continue. The display returns to the “NETWORK INFO” screen.

Press the **HOME** key. The display returns to the “PROGRAM DEVICE” screen.

RF Channel Screen



RF Channel

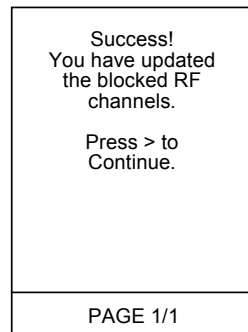
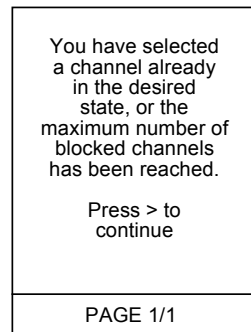
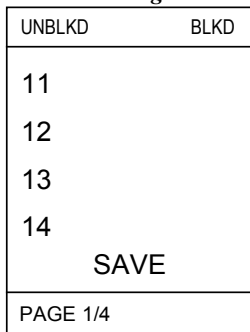
From the “PROGRAM DEVICE” screen, press one of the menu buttons on either side of the **RF CHANNEL** option. This option allows you to block or unblock the available channels. The display, shown to the left, provides basic instructions.

This option is used only in the event that there is sensitive RF equipment within the range of the MLX-3 that may be adversely affected by communication between the MLX-3 and the CEN-RFGW-EX gateway.

Press ▶ to continue. The display provides a listing of the available channels (11-26).

Use the ◀ and ▶ keys to scroll through the list of channels. Follow the screen instructions to block/unblock a channel.

Channel Listing Screen



If you try to block or unblock a channel that is already in that state, the above message appears. Press the ▶ key to continue. When you have finished blocking channels, press one of the buttons to either side of the **SAVE** option to accept the settings. The screen display confirms the operation. Press the ▶ key to return to the “PROGRAM DEVICE” screen.

Refer to the latest version of the Best Practices for Installation and Setup of Crestron RF Products (Doc. 6689) for details.

Factory Reset Procedure

If it becomes necessary to perform a factory reset, such as when trying to acquire the MLX-3 to a different network, do the following:

1. Remove one of the batteries.
2. Press and release any button.
3. Reinsert the battery - “INITIALIZING REMOTE CONTROL” appears on the screen.
4. When the message goes away, simultaneously press and hold the **0** (zero) and **OK** buttons.
5. Once the “INITIALIZING REMOTE CONTROL” message appears again, release the buttons and wait for the setup screens.

The factory reset procedure resets all *Setup* mode options back to their default values. Refer to “Configuring the MLX-” on page 5.

Programming Software

Have a question or comment about Crestron software?

Answers to frequently asked questions (FAQs) can be viewed in the Online Help section of the Crestron Web site. To post a question or view questions you have submitted to Crestron's True Blue Support, log in at www.crestron.com/support. First-time users will need to establish a user account.

Earliest Version Software Requirements for the PC

NOTE: Crestron recommends that you use the latest software to take advantage of the most recently released features. The latest software is available from the Crestron Web site (www.crestron.com/software).

Crestron provides an assortment of Windows®-based software tools to develop a customized system. Use Crestron SystemBuilder™ or SIMPL Windows to create a program to control the MLX-3. For the minimum recommended software versions, visit the Version Tracker page of the Crestron Web site (www.crestron.com/versiontracker).

Programming with Crestron SystemBuilder

Crestron SystemBuilder is the easiest method of programming a Crestron system. For additional details, download SystemBuilder from the Crestron Web site and examine the extensive help file.

Programming with SIMPL Windows

NOTE: While SIMPL Windows can be used to program the MLX-3, it is recommended to use SystemBuilder for configuring a system that contains the MLX-3.

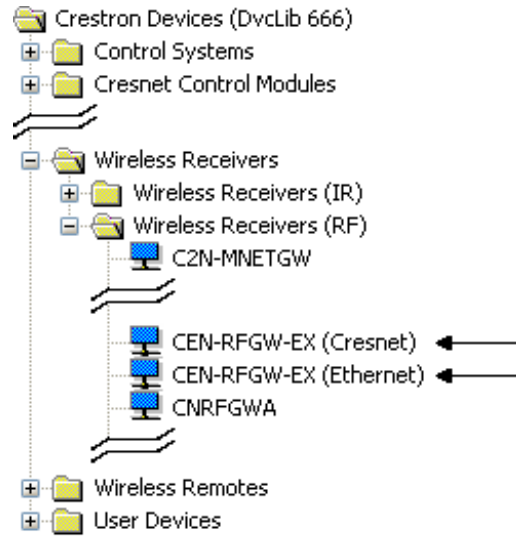
SIMPL Windows is Crestron's premier software for programming Crestron control systems. It is organized into two separate, but equally important "Managers."

Configuration Manager

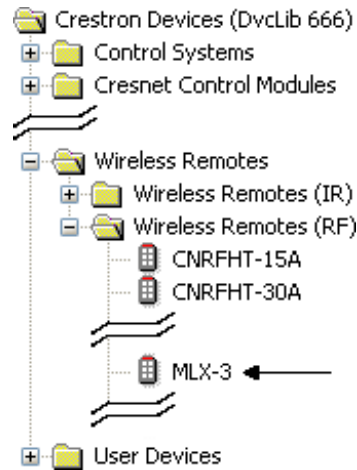
Configuration Manager is the view where programmers "build" a Crestron control system by selecting hardware from the *Device Library*.

1. To incorporate the MLX-3 into the system, first drag a CEN-RFGW-EX gateway icon from the Wireless Receivers | Wireless Receivers (RF) folder of the *Device Library* and drop it in the *System Views* panel. (The gateway is listed twice; once as a Cresnet® device and again as an Ethernet device. Either instance can be used.) Then, drag the MLX-3 icon from the Wireless Remotes | Wireless Remotes (RF) folder and drop it on the CEN-RFGW-EX icon.

Locating the CEN-RFGW-EX in the Device Library

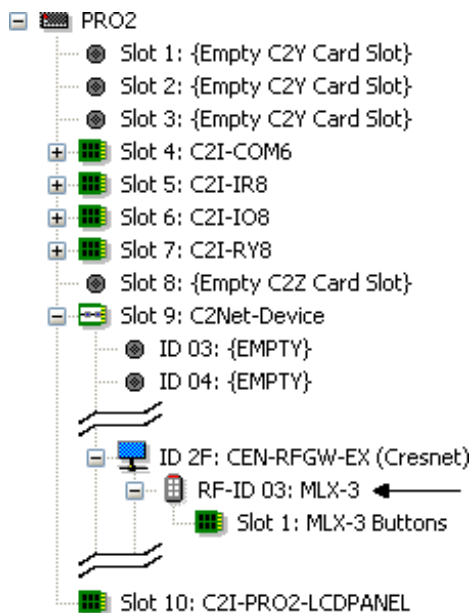


Locating the MLX-3 in the Device Library



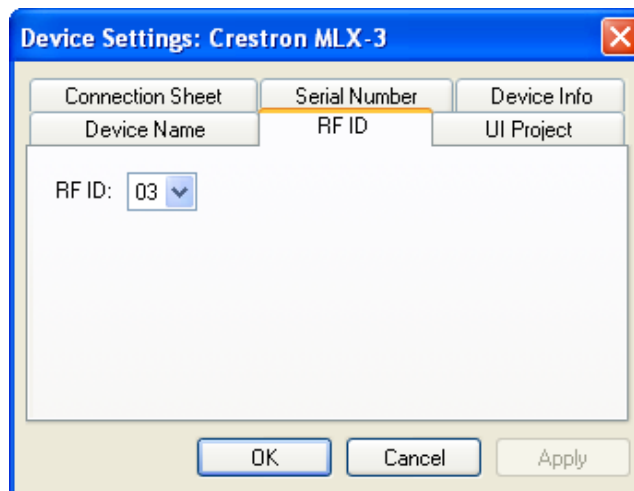
The system tree of the control system displays the device in the appropriate slot with a default RF ID as shown in the following illustration.

C2Net Device, Slot 9



2. If additional MLX-3 devices are to be added, repeat step 1 for each device. Each MLX-3 is assigned a different RF ID number as it is added.
3. If necessary, double click a device to open the “Device Settings” window and change the RF ID, as shown in the following illustration.

“Device Settings: Crestron MLX-3” Window



NOTE: The ID code specified in the SIMPL Windows program must match the RF ID of each unit. Refer to “Identity Code” on page 5.

Program Manager

Program Manager is the view where programmers "program" a Crestron control system by assigning signals to symbols.

The symbol can be viewed by double clicking on the icon or dragging it into *Detail View*. Each signal in the symbol is described in the SIMPL Windows help file (**F1**).

Programming with VisionTools Pro-e

The MLX-3 LCD screens should be created in VisionTools Pro-e (VT Pro-e) to allow selection of functions, and control of system devices. Note that the MLX-3 design permits the 57 buttons to be programmed individually per project or for each page in a project. The result is almost limitless functionality, with real time feedback of commands.

Example Program

An example program for the MLX-3 is available from the Crestron Web site (www.crestron.com/exampleprograms).

Uploading and Upgrading

Crestron recommends using the latest programming software and that each device contains the latest firmware to take advantage of the most recently released features. However, before attempting to upload or upgrade, it is necessary to establish communication.

NOTE: Only firmware upgrades can be uploaded directly to the MLX-3. Firmware is loaded to the MLX-3 using the USB cable included in your MLX-3's packaging. For further details on upgrading your MLX-3's firmware, please refer to the Appendix on page 22.

Loading Projects

The VT Pro-e projects for the MLX-3 reside on the CEN-RFGW-EX gateway, and the appropriate screens are transmitted to the MLX-3 during operation. Toolbox allows loading of projects to the CEN-RFGW-EX for the MLX-3 by presenting it like any other touchpanel. Projects can be loaded by addressing the MLX-3 remote itself. A more advanced method is also available by addressing the gateway directly, which allows loading and assignment of projects to RF IDs for remotes that are not yet acquired.

No matter which method is selected, it is necessary to connect your CEN-RFGW-EX to your PC either directly using Ethernet, or indirectly using Cresnet. Refer to "Establishing Communications" section in the latest version of the CEN-RFGW-EX Operations & Installation Guide (Doc. 6706) for details.

1. Add an address book entry for the gateway using either TCP or indirect Cresnet through the control system.
2. Open Crestron Toolbox and from the **Tools** menu, select the **System Info** tool. From the "System Info" window, connect to the gateway. You can then manage projects by selecting **Display Project Assignment** from the **Functions** menu.

Or

1. Add an address book entry for the gateway using either TCP or indirect Cresnet through the control system.
2. In VT Pro-e, add an address book entry for the MLX-3 remote using indirect infiNET(EX) ID through the gateway address.
3. Using the Toolbox **System Info** tool, you can use the standard "Project" window to send a project.

Or

1. Connect the Network Device tree to either the control system with a Cresnet connection to the gateway or directly to the gateway over TCP/IP.
2. Acquired MLX-3 remotes will appear. All functionality is available from the right-click menu for each remote as well as the gateway.

NOTE: Only those MLX-3 remotes that have communicated with the gateway since it last powered up will automatically appear.

Projects and Firmware

Projects and firmware files may be distributed from programmers to installers or from Crestron to dealers. Firmware upgrades are available from the Crestron Web site as new features are developed after product releases. One has the option to upload programs and projects via the programming software or to upload and upgrade via the Crestron Toolbox. For details on uploading and upgrading, refer to the VT Pro-e help file or the Crestron Toolbox help file.

VisionTools Pro-e

From within VT Pro-e, address the MLX-3 using an indirect infiNET-EX ID through the gateway address (Cresnet or Ethernet). From Toolbox, load like any other touchpanel, or use the new “Display Project Assignment” window available on the gateway.

Firmware

Check the Crestron Web site to find the latest firmware. (New users may be required to register to obtain access to certain areas of the site, including the FTP site.) Refer to the Appendix for details on loading firmware.

Program Checks

For infiNET EX connections, using Crestron Toolbox, display the network device tree (**Tools | Network Device Tree**) to show all network devices connected to the control system and all infiNET devices that have been acquired by the MLX-3 (CEN-RFGW-EX). Right-click on the MLX-3 (CEN-RFGW-EX) to display actions that can be performed on the MLX-3 (CEN-RFGW-EX).

Operation

Operation of the MLX-3 is determined by the program developed for the system in which it is used.

NOTE: To ensure best possible signal transmission during operation, avoid holding the MLX-3 in the area of the screen or resting the unit in the lap. The antenna is located at the rear of the unit, behind the screen and is subject to interference from body parts.

Problem Solving

Troubleshooting

The following table provides corrective action for possible trouble situations. If further assistance is required, please contact a Crestron customer service representative.

MLX-3 Troubleshooting

TROUBLE	POSSIBLE CAUSE(S)	CORRECTIVE ACTION
The MLX-3 does not function.	Batteries are not installed properly, or need replacement.	Check battery orientation. If necessary, install new batteries (polarity marked in compartment).
Display screen is difficult to read.	Contrast setting is inappropriate.	Refer to "Configuring the MLX-3" which starts on page 5 for instructions.
Connection to the CEN-RFGW-EX gateway cannot be established.	Interference is blocking the signal.	Move away from possible sources of interference.
	User may be blocking the signal.	The antenna is located behind the screen. Avoid holding the MLX-3 in the area of the screen or placing it in the lap during operation.
	Channel blocking is not properly set.	Refer to "Configuring the MLX-3" which starts on page 5 for instructions.

Check Network Wiring

Use the Right Wire

In order to ensure optimum performance over the full range of your installation topology, Crestron Certified Wire, and only Crestron Certified Wire, may be used. Failure to do so may incur additional charges if support is required to identify performance deficiencies because of using improper wire.

Calculate Power

CAUTION: Use only Crestron power supplies for Crestron equipment. Failure to do so could cause equipment damage or void the Crestron warranty.

CAUTION: Provide sufficient power to the system. Insufficient power can lead to unpredictable results or damage to the equipment. Please use the Crestron Power Calculator to help calculate how much power is needed for the system (<http://www.crestron.com/calculators>).

When calculating the length of wire for a particular Cresnet run, the wire gauge and the Cresnet power usage of each network unit to be connected must be taken into consideration. Use Crestron Certified Wire only. If Cresnet units are to be daisy-chained on the run, the Cresnet power usage of each network unit to be daisy-chained must be added together to determine the Cresnet power usage of the entire chain. If the unit is a home-run from a Crestron system power supply network port, the Cresnet power usage of that unit is the Cresnet power usage of the entire run. The wire gauge and the Cresnet power usage of the run should be used in the following equation to calculate the cable length value on the equation's left side.

Cable Length Equation

$$L < \frac{40,000}{R \times P}$$

Where: L = Length of run (or chain) in feet
 R = 6 Ohms (Crestron Certified Wire: 18 AWG (0.75 mm²))
 or 1.6 Ohms (Cresnet HP: 12 AWG (4 mm²))
 P = Cresnet power usage of entire run (or chain)

Make sure the cable length value is less than the value calculated on the right side of the equation. For example, a Cresnet run using 18 AWG Crestron Certified Wire and drawing 20 watts should not have a length of run more than 333 feet (101 meters). If Cresnet HP is used for the same run, its length could extend to 1250 feet (381 meters).

NOTE: All Crestron certified Cresnet wiring must consist of two twisted pairs. One twisted pair is the +24V conductor and the GND conductor, and the other twisted pair is the Y conductor and the Z conductor.

Strip and Tin Wire

When daisy-chaining Cresnet units, strip the ends of the wires carefully to avoid nicking the conductors. Twist together the ends of the wires that share a pin on the network connector, and tin the twisted connection. Apply solder only to the ends of the twisted wires. Avoid tinning too far up the wires or the end becomes brittle. Insert the tinned connection into the Cresnet connector and tighten the retaining screw. Repeat the procedure for the other three conductors.

Add Hubs

Use of a Cresnet Hub/Repeater (CNXHUB) is advised whenever the number of Cresnet devices on a network exceeds 20 or when the combined total length of Cresnet cable exceeds 3000 feet (914 meters).

Reference Documents

The latest version of all documents mentioned within the guide can be obtained from the Crestron Web site (www.crestron.com/manuals). This link will provide a list of product manuals arranged in alphabetical order by model number.

List of Related Reference Documents

DOCUMENT TITLE
Best Practices for Installation and Setup of Crestron RF Products
CEN-RFGW-EX infiNET EX™ Wireless Gateway

Further Inquiries

If you cannot locate specific information or have questions after reviewing this guide, please take advantage of Crestron's award winning customer service team by calling Crestron at 1-888-CRESTRON [1-888-273-7876].

You can also log onto the online help section of the Crestron Web site (www.crestron.com/onlinehelp) to ask questions about Crestron products. First-time users will need to establish a user account to fully benefit from all available features.

Future Updates

As Crestron improves functions, adds new features, and extends the capabilities of the MLX-3, additional information may be made available as manual updates. These updates are solely electronic and serve as intermediary supplements prior to the release of a complete technical documentation revision.

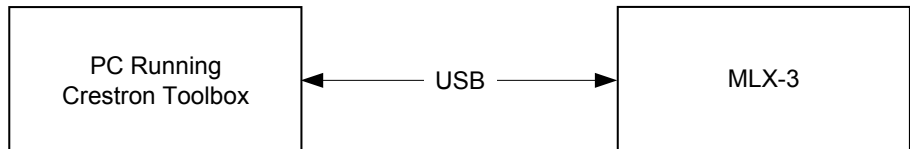
Check the Crestron Web site periodically for manual update availability and its relevance. Updates are identified as an “Addendum” in the Download column.


Appendix: Firmware Upgrades

NOTE: Only firmware upgrades can be uploaded directly to the MLX-3. Firmware is loaded to the MLX-3 using the USB cable included in your MLX-3's packaging

Use Crestron Toolbox for communicating with the MLX-3. Refer to the Crestron Toolbox help file for details.

USB Communication for MLX-3 Remote Firmware ONLY



1. The computer port on the MLX-3 connects to the PC via the supplied USB cable.
2. Use the Address Book in Crestron Toolbox to create an entry using USB. In the Device Type selection, select MLX-3 (USB) after acknowledging the warning.
3. Display the MLX-3's "System Info" window (click the  icon); communications are confirmed when the device information is displayed.
4. Select **Functions | Firmware...** to upgrade the MLX-3 firmware.

Return and Warranty Policies

Merchandise Returns / Repair Service

1. No merchandise may be returned for credit, exchange, or service without prior authorization from CRESTRON. To obtain warranty service for CRESTRON products, contact an authorized CRESTRON dealer. Only authorized CRESTRON dealers may contact the factory and request an RMA (Return Merchandise Authorization) number. Enclose a note specifying the nature of the problem, name and phone number of contact person, RMA number, and return address.
2. Products may be returned for credit, exchange, or service with a CRESTRON Return Merchandise Authorization (RMA) number. Authorized returns must be shipped freight prepaid to CRESTRON, 6 Volvo Drive, Rockleigh, N.J. or its authorized subsidiaries, with RMA number clearly marked on the outside of all cartons. Shipments arriving freight collect or without an RMA number shall be subject to refusal. CRESTRON reserves the right in its sole and absolute discretion to charge a 15% restocking fee, plus shipping costs, on any products returned with an RMA.
3. Return freight charges following repair of items under warranty shall be paid by CRESTRON, shipping by standard ground carrier. In the event repairs are found to be non-warranty, return freight costs shall be paid by the purchaser.

CRESTRON Limited Warranty

CRESTRON ELECTRONICS, Inc. warrants its products to be free from manufacturing defects in materials and workmanship under normal use for a period of three (3) years from the date of purchase from CRESTRON, with the following exceptions: disk drives and any other moving or rotating mechanical parts, pan/tilt heads and power supplies are covered for a period of one (1) year; touchscreen display and overlay components are covered for 90 days; batteries and incandescent lamps are not covered.

This warranty extends to products purchased directly from CRESTRON or an authorized CRESTRON dealer. Purchasers should inquire of the dealer regarding the nature and extent of the dealer's warranty, if any.

CRESTRON shall not be liable to honor the terms of this warranty if the product has been used in any application other than that for which it was intended, or if it has been subjected to misuse, accidental damage, modification, or improper installation procedures. Furthermore, this warranty does not cover any product that has had the serial number altered, defaced, or removed.

This warranty shall be the sole and exclusive remedy to the original purchaser. In no event shall CRESTRON be liable for incidental or consequential damages of any kind (property or economic damages inclusive) arising from the sale or use of this equipment. CRESTRON is not liable for any claim made by a third party or made by the purchaser for a third party.

CRESTRON shall, at its option, repair or replace any product found defective, without charge for parts or labor. Repaired or replaced equipment and parts supplied under this warranty shall be covered only by the unexpired portion of the warranty.

Except as expressly set forth in this warranty, CRESTRON makes no other warranties, expressed or implied, nor authorizes any other party to offer any warranty, including any implied warranties of merchantability or fitness for a particular purpose. Any implied warranties that may be imposed by law are limited to the terms of this limited warranty. This warranty statement supersedes all previous warranties.

Trademark Information

All brand names, product names and trademarks are the sole property of their respective owners. Windows is a registered trademark of Microsoft Corporation. Windows95/98/Me/XP/Vista/7 and WindowsNT/2000 are trademarks of Microsoft Corporation.



Crestron Electronics, Inc.
15 Volvo Drive Rockleigh, NJ 07647
Tel: 888.CRESTRON
Fax: 201.767.7576
www.crestron.com

**Operations Guide – DOC. 7134
(2022658)**

09.10

Specifications subject to
change without notice.