

# WARRANTY

Crosley Radio Products are warranted against defects in material and workmanship for a period of 90 days beginning from the date of sale to the original purchaser.

Should the unit fail under normal usage during the 90 day warranty period, a request for RETURN AUTHORIZATION (R.A.) must be made by the original customer before returning the unit. Call Crosley Radio customer service for Return Authorization at (502) 583-4246 from 9 AM to 5 PM (EST) Monday to Friday.

Upon receiving the RETURN AUTHORIZATION number from the Customer Service Department, properly pack your unit in its original packaging. Include any adapters, parts, & accessories which were originally provided with the product, along with a check or money order for \$19.95 made out to Crosley Radio to cover the handling and return postage. Display the R.A. # on the outside of the carton and ship PREPAID via standard UPS or its equivalent.

**CROSLEY  
RADIO**

ATTN: RETURNS DEPT  
2001 PRODUCTION DRIVE  
BAY 2 & 3  
LOUISVILLE, KY 40299

CROSLEY RADIO assumes no responsibility for units sent without prior Return Authorization.

The purchaser's bill of sale is the only proof of warranty entitlement and must accompany the unit.

The warranty does not cover damage due to acts of nature, accident, misuse, abuse, negligence, commercial use or modification of, or to any part of the product. This warranty does not cover damage due to improper operation or maintenance, connection to improper voltage supply, or attempted repair by anyone other than a facility authorized by Crosley Radio to service the product. This warranty does not cover products sold AS IS or consumables (such as fuses or batteries). This warranty is valid only in the United States.

This warranty gives the purchaser specified legal rights in addition to any rights which may vary from state to state.

In accordance with the "Moss-Magnuson Warranty Act" of July 10, 1975, this is termed a "limited warranty" which in no way compromises Crosley Radio, high standards of Quality and Workmanship.

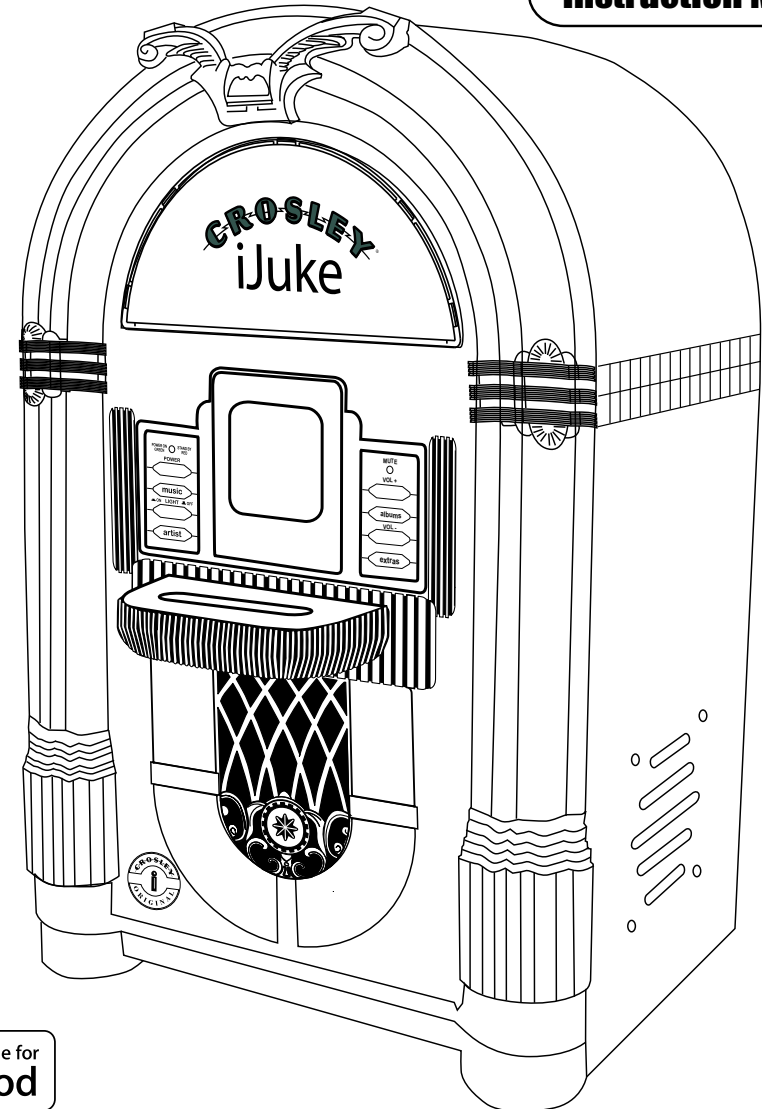
910-256700-001

**CROSLEY**

# CR17

## i-Juke

### Instruction Manual

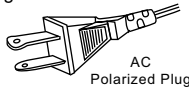


11-8-06

# IMPORTANT SAFETY INSTRUCTION

PLEASE READ CAREFULLY ALL THE FOLLOWING IMPORTANT SAFEGUARDS THAT ARE APPLICABLE TO YOUR EQUIPMENT

1. Read Instructions - All the safety and operating instructions should be read before the product is operated.
2. Retain instructions - The safety and operating instructions should be retained for future reference.
3. Heed Warnings - All warnings on the product and in the operating Instructions should be adhered to.
4. Follow Instructions - All operating and use instructions should be followed.
5. Cleaning - Unplug this product from the wall outlet before cleaning. Do not use liquid cleaners or aerosol cleaners. Use a damp cloth for cleaning.
6. Attachments - Do not use attachments not recommended by the product manufacturer as they may cause hazards.
7. Water and Moisture - Do not use this product near water - for example, near a bath tub, wash bowl, kitchen sink, or laundry tub; in a wet basement; or near a swimming pool; and the like.
8. A product and cart combination should be moved with care. Quick stops, excessive force, and uneven surfaces may cause the product and cart combination to overturn.
9. Ventilation - Slots and openings in the cabinet are provided for ventilation and to ensure reliable operation of the product and to protect it from overheating, and these openings must not be blocked or covered. The openings should never be blocked by placing the product on a bed, sofa, rug, or other similar surface. This product should not be placed in a built - in installation such as a bookcase or rack unless proper ventilation is provided or the manufacturer's instructions have been adhered to.
10. Power Sources - This product should be operated only from the type of power source indicated on the marking label, if you are not sure of the type of power supply to your home. Consult your product dealer or local power company. For products intended to operate from battery power, or other sources, refer to the operating instructions.
11. Grounding or Polarization - This product may be equipped with a polarized alternating-current line plug (a plug having one blade wider than the other). This plug will fit into the power outlet only one way. This is a safety feature. If you are unable to insert the plug fully into the outlet try reversing the plug. If the plug should still fail to fit, contact your electrician to replace your obsolete outlet. Do not defeat the safety purpose of the polarized plug.
12. Power - Cord Protection - Power - supply cords should be routed so that they are not likely to be walked on or pinched by items placed upon or against them, paying particular attention to cords at plugs, convenience receptacles, and the point where they exit from the product.
13. Lightning - For added protection for this product during a lightning storm, or when it is left unattended and unused for long periods of time, unplug it from the wall outlet and disconnect the antenna or cable system. This will prevent damage to the product due to lightning and power - line surges.
14. Power Lines - An outside antenna system should not be located in the vicinity of overhead power lines or other electric light or power circuits, or where it can fall into such power lines or circuits. When installing an outside antenna system, extreme care should be taken to keep from touching such power lines or circuits as contact with them might be fatal.
15. Overloading - Do not overload wall outlets, extension cords, or integral convenience receptacles as this can result in a risk of fire or electric shock.
16. Object and Liquid Entry - Never push objects of any kind into this product through openings as they may touch dangerous voltage points or short - out parts that could result in a fire or electric shock. Never spill liquid of any kind on the product.
17. Servicing - Do not attempt to service this product yourself as opening or removing covers may expose you to dangerous voltage or other hazards. Refer all servicing to qualified service personnel.
18. Damage Requiring Service - Unplug this product from the wall outlet and refer servicing to qualified service personnel under the following conditions:
  - a. When the power-supply cord or plug is damaged.
  - b. If liquid has been spilled, or objects have fallen into the product.
  - c. If the product has been exposed to rain or water.
  - d. If the product does not operate normally by following the operating instructions. Adjust only those controls that are covered by the operating instructions as an improper adjustment of other controls may result in damage and will often require extensive work by a qualified technician to restore the product to its normal operation.
  - e. If the product has been dropped or damaged in any way.
  - f. When the product exhibits a distinct change in performance - this indicates a need for service.
19. Replacement Parts - When replacement parts are required, be sure the service technician has used replacement parts specified by the manufacturer or have the same characteristics as the original part. Unauthorized substitutions may result in fire, electric shock, or other hazards.
20. Safety Check - Upon completion of any service or repairs to this product, ask the service technician to perform safety checks to determine that the product is in proper operating condition.
21. Wall or ceiling Mounting - The product should be mounted to a wall or ceiling only as recommended by the manufacturer.
22. Heat - The product should be situated away from heat sources such as radiators, heat registers, stoves, or other products (including amplifiers) that produce heat.



**WARNING:** Changes or modifications to this unit not expressly approved by the party responsible for compliance could void the user's authority to operate the equipment.

**NOTE:** This equipment has been tested and found to comply with the limits for a Class B digital device, pursuant to Part 15 of the FCC Rules. These limits are designed to provide reasonable protection against harmful interference in a residential installation. This equipment generates, uses, and can radiate radio frequency energy and, if not installed and used in accordance with the instructions, may cause harmful interference to radio communications. However, there is no guarantee that interference will not occur in a particular installation. If this equipment does cause harmful interference to radio or television reception, which can be determined by turning the equipment off and on, the user is encouraged to try to correct the interference by one or more of the following measures:

- Reorient or relocate the receiving antenna.
- Increase the separation between the equipment and receiver.
- Connect the equipment into a circuit different from that to which the receiver is connected.
- Consult the dealer or an experienced radio TV technician for help.

## General

### Troubleshooting

#### There's no power?

- 1 The AC adapter is not connected. Check to make sure it is plugged in correctly.

#### There's no sound?

- 1 Make sure the mute function is turned off.
- 2 Check that the volume is turned up by pressing Volume Up button on remote.
- 3 Make sure the External / Internal Speakers switch is on INT. (Unless you are using external speakers, in which case it should be on EXT.)
- 4 Check to make sure power is turned on.
- 5 Make sure the Hold switch on your iPod is in the off position.
- 6 Check that the iPod is not paused.

#### Remote not working?

- 1 Replace batteries.
- 2 Point remote towards remote sensor when using.

#### Bubble tubes not bubbling?

- 1 Make sure lights are on.
- 2 It takes approximately 10 to 15 minutes for the bubble tubes to warm up after the lights are on.
- 3 If the lights have been on at least 15 minutes and the tubes are still not bubbling, very LIGHTLY tap on the brown plastic at the bottom of the tubes with your hand. Only tap very gently and never tap on the tube itself as it could cause the tube to break.

# Connecting Optional Equipment

## External Outputs

The iJuke (CR17) is equipped with external speaker outputs which will allow you to hook up external speakers.

- 1 The speaker jacks for external speakers are 4 ohm jacks and are located on the back of the unit. Beside the speaker jacks is the external / internal speaker switch which is labeled (EXT. / INT.) When using external speakers, this switch must be switched to the EXT. position. Doing this turns off the internal speakers in the unit and redirects to power to the external speakers.
- 2 If you decide not to use the external speakers, be sure the switch is on INT. position or the internal speakers will not work.

## Auxiliary Inputs

You can connect external audio devices such as CD Players or other MP3 players by using the Auxiliary Input (Aux In) jack and the supplied Auxiliary cable. To connect an external device, follow the directions below.

- 1 Connect one end of the supplied Auxiliary Cable to the Aux In jack on the back of your unit.
- 2 Connect the other end of the cable to the Audio Out Jack or Headphone Jack of your external component.  
Note: If your external component doesn't have a 3.5mm output jack or headphone jack, you will need a different cable to make the connection. Check your local electronics retailer for different cable options.
- 3 Begin play on the external component and adjust the volume of the iJuke to your desired listening level.
- 4 See the owner's manual for your external component for information on its operations.



# WARNING:

TO PREVENT FIRE OR SHOCK HAZARD, DO NOT EXPOSE THIS APPLIANCE TO RAIN OR MOISTURE. DO NOT REMOVE COVER. PILOT LAMPS SOLDERED IN PLACE. NO USER SERVICEABLE PARTS INSIDE. REFER SERVICING TO QUALIFIED SERVICE PERSONNEL.



The lightning flash with arrowhead symbol, within an equilateral triangle, is intended to alert user to the presence of uninsulated "dangerous voltage" within the product's enclosure that may be of sufficient magnitude to constitute risk of electric shock to persons.

## CAUTION

**RISK OF ELECTRIC SHOCK  
DO NOT OPEN**

**CAUTION: TO REDUCE THE RISK OF ELECTRIC SHOCK, DO NOT REMOVE COVER (OR BACK). NO USER - SERVICEABLE PARTS INSIDE. REFER SERVICING TO QUALIFIED SERVICE PERSONNEL.**



The exclamation point within an equilateral triangle is intended to alert user to the presence of important operating and maintenance (servicing) instruction in the literature accompanying the appliance.

## Specification

Power Source : Input AC110-240V 50-60Hz  
Output DC14V 2.5A  
Power Consumption : 30W  
Speaker : Dynamic type 4" 4 Ohm x 2

\* DESIGN AND SPECIFICATIONS SUBJECT TO CHANGE WITHOUT NOTICE.

# Welcome

Thank you for purchasing the i-Juke (CR17). Before operating this unit, please read this manual thoroughly and retain it for future reference.

# About This Manual

Instructions in this manual describe the control functions of the iJuke (CR17).

# Table of Contents

<b>Getting Started</b>	
Control Locator.....	4-5
Unpacking.....	6
Set Up.....	6
<b>Basic Operation</b>	
Using your iJuke.....	7
Remote Control.....	8
Lights / Bubble Tubes.....	8
<b>Connecting Optional Equipment</b>	
External Outputs.....	9
Auxiliary Inputs.....	9
<b>General</b>	
Troubleshooting .....	10
Warranty.....	11

# Basic Operation

## Remote Control

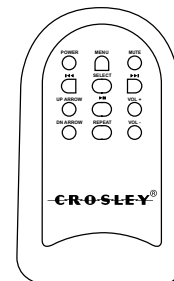
Included with your iJuke is a full function remote control. It allows you to control the main power and volume of the iJuke and also gives you complete control of your iPod including menu functions on most iPod models. See below for a complete list of the remote functions.

- Power** – The POWER button turns the iJuke on/off. When docked, pressing the power button will also turn your iPod on/off with the unit.
- Menu** – The MENU button allows you to access the menus on your iPod.
- Mute** – The MUTE button mutes the volume of the iJuke.
- ▶▶** – Pressing the FORWARD SKIP button once will take you to the beginning of the next song on your iPod. You can press and hold it to search forwards through the song that is playing.
- ◀◀** – Pressing the BACKWARD SKIP button once takes you to the beginning of the song you are listening to. Press it twice to go to the beginning of the previous song. You can also press and hold it to search backwards through the song that is playing.
- ▶||** – The PLAY/PAUSE button is used to pause the song that is playing. Pressing it twice resumes playback.
- Up Select** – The UP SELECT button moves upwards through the menu selections.
- DN Select** – The DOWN SELECT button moves downwards through the menu selections.
- Select** – The SELECT button enters your selections from the menus.
- Repeat** – The REPEAT button allows you to repeat selected songs on applicable iPod models.
- Vol +** – The VOLUME UP button Increases your volume level.
- Vol -** – The VOLUME DOWN button decreases your volume level.

## Lights / Bubble Tubes

- 1 To turn on the lights, press the Light button on the front of the unit.
- 2 Adjust the Stage Light Switch to Stop or Run to make the Eternity Lights constant or in motion.
- 3 The bubble tubes will start to bubble 10-15 minutes after the lights are turned on.

Note: The bubble tubes will not bubble unless the lights are turned on. If the tubes haven't started to bubble within 15 minutes after turning on the lights, very LIGHTLY tap on the brown plastic below the bubble tube with your hand. Do not tap the bubble tube itself as it could cause the tube to break.

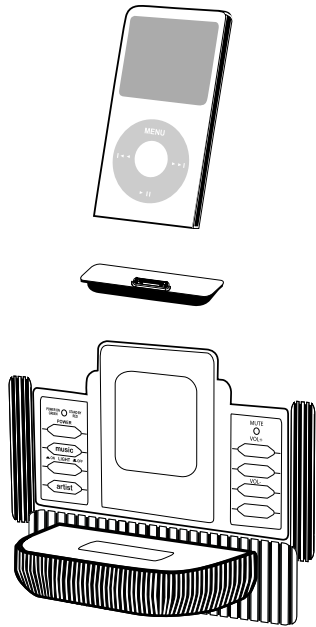


# Basic Operation

## Using your iJuke

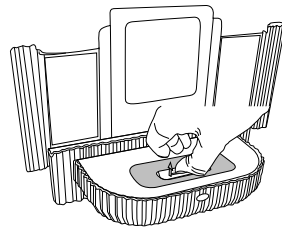
The iJuke features the Universal Dock that uses dock adapters that come with newer iPod models. Before inserting your iPod, you will need to install the correct dock adapter. By using the correct dock adapter, you can insert any iPod with a dock connector. If you have an older iPod model that did not come with a dock adapter, they are available on our website at [www.crosleyradio.com](http://www.crosleyradio.com) or by calling us at 1-866-Crosley. While docked, the iJuke will also charge your iPod. To connect your iPod, follow the steps below. If your iPod doesn't have a dock connector, you can connect it to the unit by using the Auxiliary Cable that is supplied.

- 1 Insert the correct dock adapter that fits your iPod. Your iPod should fit snugly into the correct adapter. Gently press the adapter until it snaps firmly in place.
- 2 Connect your iPod as shown in the illustration below.



Note: If your iPod does not have a dock connector, use the supplied Auxiliary Cable and hook your iPod to the Auxiliary Input (Aux In) jack on the back of the unit.

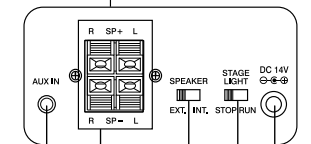
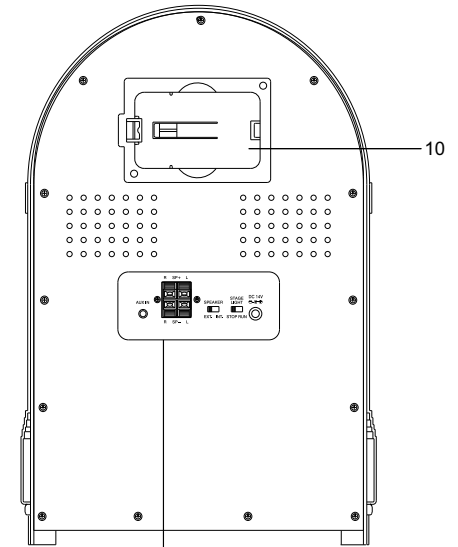
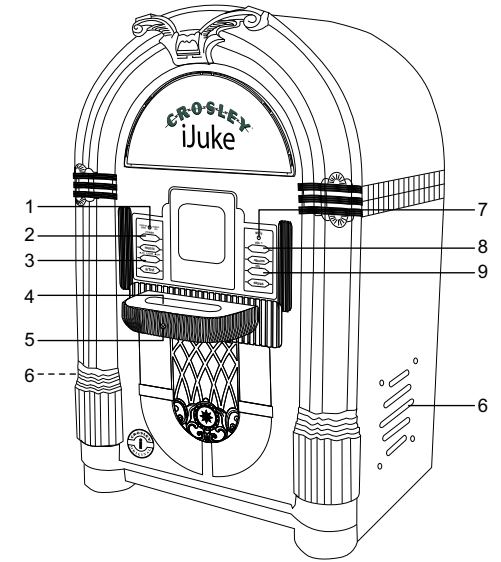
- 3 Press the Power button to turn iJuke on.
- 4 Browse your iPod for songs and press the Play/Pause button. Your music should begin to play.
- 5 Adjust the volume to your desired listening level.
- 6 To remove the dock adapter, push your fingernail into the slot in the back of the adapter and lift up.



# Control Locator

## Unit Controls

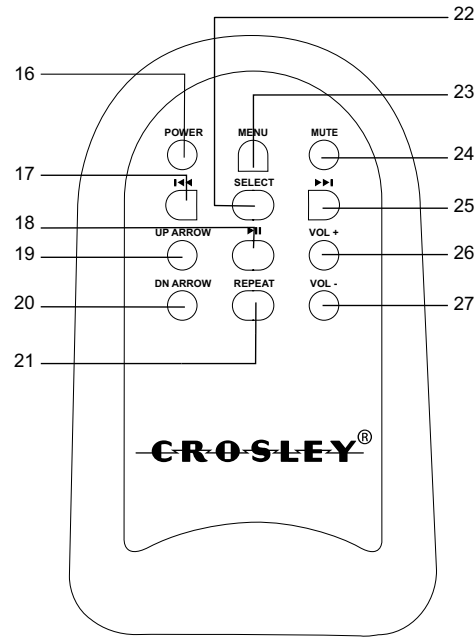
- 1 Power Indicator
- 2 Power On/Off
- 3 Lights On/Off
- 4 Universal Dock
- 5 Remote Sensor
- 6 Speakers
- 7 Mute Indicator
- 8 Volume Up
- 9 Volume Down
- 10 Remote Storage
- 11 Auxiliary Input (Aux In)
- 12 Speaker Jacks
- 13 Internal / External Speaker Switch (EXT. / INT.)
- 14 Stage Light Stop & Run Switch
- 15 DC Jack



# Control Locator

## Remote Controls

- 16 Power
- 17 Backward Skip
- 18 Play / Pause
- 19 Up Select
- 20 Down Select
- 21 Repeat
- 22 Select
- 23 Menu
- 24 Mute
- 25 Forward Skip
- 26 Volume Up
- 27 Volume Down



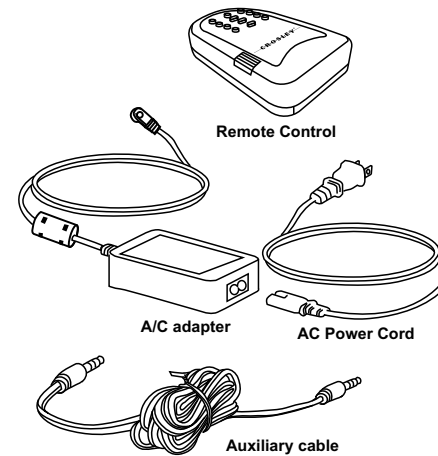
# Getting Started

## Unpacking

- 1 Remove unit from box and remove all packing materials.  
Note: Save the box and packing materials in case the unit needs to be transported or returned.
- 2 Remove plastic safety cover from A/C plug.
- 3 Remove tie from A/C cord
- 4 Remove tie from A/C adapter.

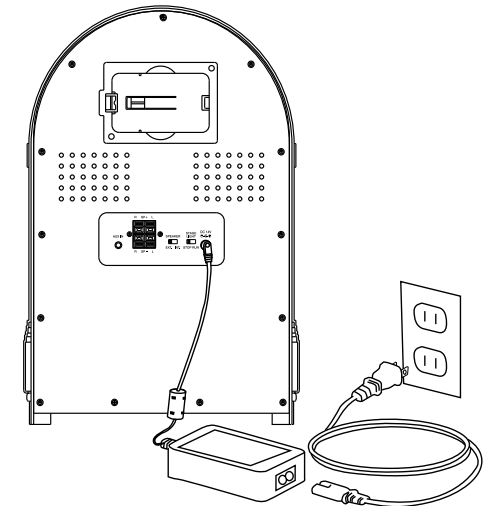
## Set Up

- 1 Check the carton for all the parts shown.

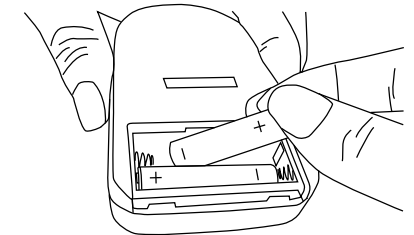


- 2 Plug the small end of the AC adapter into the DC Jack on the back of the unit.
- 3 Plug the small end of the AC Power Cord into the AC adapter.

- 4 Plug the AC cord into an appropriate outlet.  
Note: This product is equipped with a polarized alternating-current line plug (a plug having one blade wider than the other.) This plug will fit into the power outlet only one way. This is a safety feature. If you are unable to insert the plug fully into the outlet try reversing the plug, if the plug should still fail to fit, contact your electrician to replace your obsolete outlet. Do not defeat the safety purpose of the polarized plug.



- 5 Remove battery cover from remote control and install 2 AAA batteries (not included). Note the correct battery orientation.



- 6 Place the iJuke on a flat surface.  
Note: The speakers in the iJuke are shielded which limits the possibility of video interference if placed near a computer or television monitor.