

WARRANTY

Crosley Radio Products are warranted against defects in material and workmanship for a period of 90 days beginning from the date of sale to the original purchaser.

Should the unit fail under normal usage during the 90 day warranty period, a request for RETURN AUTHORIZATION (R.A.) must be made by the original customer before returning the unit. Call Deer Park Distributors customer service for Return Authorization at (618) 427-3761 from 8:30 AM to 4:30 PM (Central Time) Monday to Friday.

Upon receiving the RETURN AUTHORIZATION number from the Customer Service Department, properly pack your unit in its original packaging. Include any adapters, parts, & accessories which were originally provided with the product, along with a check or money order for \$99.95 made out to Deer Park Distributors to cover the handling and return postage. Display the R.A. # on the outside of the carton and ship PREPAID via standard UPS or its equivalent.

DEER PARK DISTRIBUTORS, LLC
ATTN: RETURNS DEPARTMENT
111 W. BIRCH STREET
BROWNSTOWN, IL 62418

DEER PARK DISTRIBUTORS assumes no responsibility for units sent without prior Return Authorization.

The purchaser's bill of sale is the only proof of warranty entitlement and must accompany the unit.

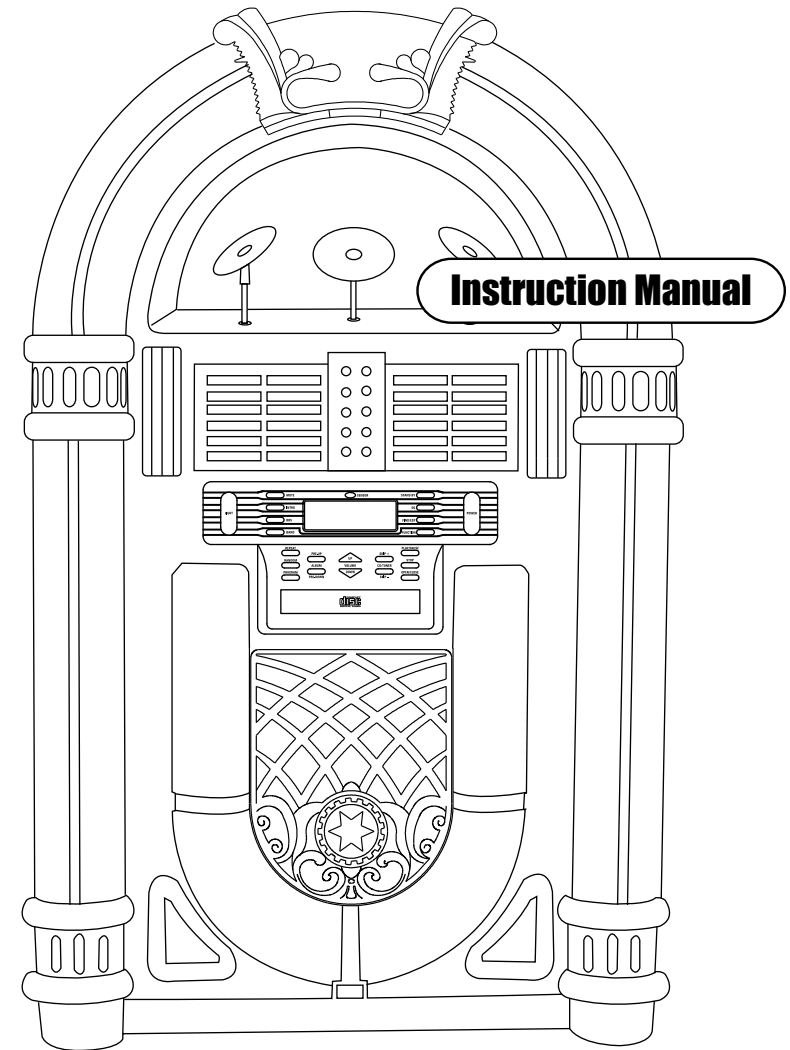
The warranty does not cover damage due to acts of nature, accident, misuse, abuse, negligence, commercial use or modification of, or to any part of the product. This warranty does not cover damage due to improper operation or maintenance, connection to improper voltage supply, or attempted repair by anyone other than a facility authorized by Crosley Radio to service the product. This warranty does not cover products sold AS IS or consumables (such as fuses or batteries). This warranty is valid only in the United States.

This warranty gives the purchaser specified legal rights in addition to any rights which may vary from state to state.

In accordance with the "Moss-Magnuson Warranty Act" of July 10, 1975, this is termed a "limited warranty" which in no way compromises Crosley Radio, high standards of Quality and Workmanship.

CROSLEY
RADIO

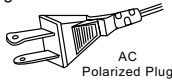
CR12-1



IMPORTANT SAFETY INSTRUCTION

PLEASE READ CAREFULLY ALL THE FOLLOWING IMPORTANT SAFEGUARDS THAT ARE APPLICABLE TO YOUR EQUIPMENT

1. Read Instructions - All the safety and operating instructions should be read before the product is operated.
2. Retain instructions - The safety and operating instructions should be retained for future reference.
3. Heed Warnings - All warnings on the product and in the operating Instructions should be adhered to.
4. Follow Instructions - All operating and use instructions should be followed.
5. Cleaning - Unplug this product from the wall outlet before cleaning. Do not use liquid cleaners or aerosol cleaners. Use a damp cloth for cleaning.
6. Attachments - Do not use attachments not recommended by the product manufacturer as they may cause hazards.
7. Water and Moisture - Do not use this product near water - for example, near a bath tub, wash bowl, kitchen sink, or laundry tub; in a wet basement; or near a swimming pool; and the like.
8. A product and cart combination should be moved with care. Quick stops, excessive force, and uneven surfaces may cause the product and cart combination to overturn.
9. Ventilation - Slots and openings in the cabinet are provided for ventilation and to ensure reliable operation of the product and to protect it from overheating, and these openings must not be blocked or covered. The openings should never be blocked by placing the product on a bed, sofa, rug, or other similar surface. This product should not be placed in a built-in installation such as a bookcase or rack unless proper ventilation is provided or the manufacturer's instructions have been adhered to.
10. Power Sources - This product should be operated only from the type of power source indicated on the marking label, if you are not sure of the type of power supply to your home. Consult your product dealer or local power company. For products intended to operate from battery power, or other sources, refer to the operating instructions.
11. Grounding or Polarization - This product may be equipped with a polarized alternating-current line plug (a plug having one blade wider than the other). This plug will fit into the power outlet only one way. This is a safety feature. If you are unable to insert the plug fully into the outlet try reversing the plug. If the plug should still fail to fit, contact your electrician to replace your obsolete outlet. Do not defeat the safety purpose of the polarized plug.
12. Power - Cord Protection - Power - supply cords should be routed so that they are not likely to be walked on or pinched by items placed upon or against them, paying particular attention to cords at plugs, convenience receptacles, and the point where they exit from the product.
13. Lightning - For added protection for this product during a lightning storm, or when it is left unattended and unused for long periods of time, unplug it from the wall outlet and disconnect the antenna or cable system. This will prevent damage to the product due to lightning and power - line surges.
14. Power Lines - An outside antenna system should not be located in the vicinity of overhead power lines or other electric light or power circuits, or where it can fall into such power lines or circuits. When installing an outside antenna system, extreme care should be taken to keep from touching such power lines or circuits as contact with them might be fatal.
15. Overloading - Do not overload wall outlets, extension cords, or integral convenience receptacles as this can result in a risk of fire or electric shock.
16. Object and Liquid Entry - Never push objects of any kind into this product through openings as they may touch dangerous voltage points or short-out parts that could result in a fire or electric shock. Never spill liquid of any kind on the product.
17. Servicing - Do not attempt to service this product yourself as opening or removing covers may expose you to dangerous voltage or other hazards. Refer all servicing to qualified service personnel.
18. Damage Requiring Service - Unplug this product from the wall outlet and refer servicing to qualified service personnel under the following conditions:
 - a. When the power-supply cord or plug is damaged.
 - b. If liquid has been spilled, or objects have fallen into the product.
 - c. If the product has been exposed to rain or water.
 - d. If the product does not operate normally by following the operating instructions. Adjust only those controls that are covered by the operating instructions as an improper adjustment of other controls may result in damage and will often require extensive work by a qualified technician to restore the product to its normal operation.
 - e. If the product has been dropped or damaged in any way.
 - f. When the product exhibits a distinct change in performance - this indicates a need for service.
19. Replacement Parts - When replacement parts are required, be sure the service technician has used replacement parts specified by the manufacturer or have the same characteristics as the original part. Unauthorized substitutions may result in fire, electric shock, or other hazards.
20. Safety Check - Upon completion of any service or repairs to this product, ask the service technician to perform safety checks to determine that the product is in proper operating condition.
21. Wall or ceiling Mounting - The product should be mounted to a wall or ceiling only as recommended by the manufacturer.
22. Heat - The product should be situated away from heat sources such as radiators, heat registers, stoves, or other products (including amplifiers) that produce heat.



WARNING: Changes or modifications to this unit not expressly approved by the party responsible for compliance could void the user's authority to operate the equipment.

NOTE: This equipment has been tested and found to comply with the limits for a Class B digital device, pursuant to Part 15 of the FCC Rules. These limits are designed to provide reasonable protection against harmful interference in a residential installation. This equipment generates, uses, and can radiate radio frequency energy and, if not installed and used in accordance with the instructions, may cause harmful interference to radio communications. However, there is no guarantee that interference will not occur in a particular installation. If this equipment does cause harmful interference to radio or television reception, which can be determined by turning the equipment off and on, the user is encouraged to try to correct the interference by one or more of the following measures:

- Reorient or relocate the receiving antenna.
- Increase the separation between the equipment and receiver.
- Connect the equipment into a circuit different from that to which the receiver is connected.
- Consult the dealer or an experienced radio TV technician for help.

General

Troubleshooting

There's no sound?

- 1 Make sure the mute function is turned off.
- 2 Check that the volume is turned up by pressing vol.+ button on remote.
- 3 Make sure ext. / int. /mix. switch on back of radio is on "int." or "mix." (unless you are using external speakers, in which case it should be on "ext..")
- 4 Check to make sure power is turned on.

CD does not play?

- 1 Check to make sure CD is inserted correctly (label side facing up).
- 2 Check to see that surface of CD is clean.
- 3 Make sure radio is on CD function by pressing CD / Radio button.

Remote not working?

- 1 Replace batteries.
- 2 Be sure and point remote towards remote sensor when using.
- 3 Remove obstacles in the path of the remote and the radio so that remote signal has a straight path to the radio.

External Speaker Jacks

If you will be using external speakers, move the speaker switch to the "ext." position. Setting switch to "mix." will allow use of both internal and external speakers at the same time.

CD Operation

Search Play (For MP3 only)

Search by Track name:

- 1 Press FIND/ESP (5/37) once in stop mode, ρ on LCD display start to flash.
- 2 Use SKIP+ (8/39) or SKIP- (10/40) to select the letter (A-Z) that matches the first letter of the track name you would like to find.
- 3 Hold the SKIP+ (8/39) or SKIP- (10/40) for 1-2 Seconds until the ρ on stop flashing .
- 4 Press SKIP+ (8/39) or SKIP- (10/40) to select the track started with the selected letter(A-Z).
- 5 Press PLAY/PAUSE (7/42) to play the selected track.

Search by Album name:

- 1 Press FIND/ESP(5/37) twice in stop mode until "ALBUM" and ρ appear on the LCD display.
- 2 Press to select the Album.
- 3 Hold the SKIP+(8/39)or SKIP- (10/40) for 1-2 seconds to enter the selected Album , "ALBUM" will disappear on the LCD display.
- 4 Press SKIP+(8/39)or SKIP- (10/40) to select the track in the selected Album.

**IF there are files in the foot directory, display will show "Root" . Hold SKIP+(8/39)or SKIP- (10/40) for 1-2 seconds until "ALBUM" disappear on the LCD display. Then search the files in the root directory by pressing SKIP+(8/39)or SKIP- (10/40)

Radio Operation

Radio Operation

- 1 Press FUNCTION (6/63) until TUNER appear on the LCD display.
- 2 Press BAND (20) to select the desired waveband: FM or AM.
- 3 Press and hold SKIP+ (8/39) or SKIP- (10/40) until a radio station with sufficient signal strength is found. Repeat this procedure until the desired station is reached.
- 4 To tune into a weak station briefly press SKIP+ (8/39) or SKIP- (10/40) repeatedly until the display shows the desired frequency or when the best reception has been obtained.
Note:
1. For FM Tuning, ((ST)) will show on the LCD display (25) when stereo sound obtained.
2. Maximum 10 radio stations for FM and 10 for AM can be stored in the memory. When a preset radio stations selected. The preset number appears on the display.

Programming Stations

- 1 Press FUNCTION(6/63) to TUNER mode.
- 2 Press AM/FM (36) to select the desired wave band: FM or AM.
- 3 Press SKIP+(8/39) or SKIP-(10/40) to tune to the desired frequency.
- 4 Press "PROGRAM (15/43) , the "PROGRAM" and "01" on LCD display will start flashing. The current preset number will be displayed for selection.
- 5 If you wish to store the radio station to another preset number, press the PRESET-UP(18/38) or PRESET-DOWN(16/41) to select the desired preset number.
- 6 Press PROGRAM (15/43) on the unit again to store the radio station. Repeat steps 3 to 6 to store other preset radio stations.
- 7 Once all stations are programmed into memory, use PRESET-UP (18/38) or PRESET-DOWN (16/41) to select the programmed presets.
**During programing, if not button is pressed within 5 seconds, the system will exit program mode automatically.

WARNING:

TO PREVENT FIRE OR SHOCK HAZARD, DO NOT EXPOSE THIS APPLIANCE TO RAIN OR MOISTURE. DO NOT REMOVE COVER. PILOT LAMPS SOLDERED IN PLACE. NO USER SERVICEABLE PARTS INSIDE. REFER SERVICING TO QUALIFIED SERVICE PERSONNEL.



The lighting flash with arrowhead symbol, within an equilateral triangle, is intended to alert user to the presence of uninsulated "dangerous voltage" within the product's enclosure that may be of sufficient magnitude to constitute risk of electric shock to persons.

CAUTION

RISK OF ELECTRIC SHOCK
DO NOT OPEN

CAUTION: TO REDUCE THE RISK OF ELECTRIC SHOCK, DO NOT REMOVE COVER (OR BACK). NO USER - SERVICEABLE PARTS INSIDE. REFER SERVICING TO QUALIFIED SERVICE PERSONNEL.



The exclamation point within an equilateral triangle is intended to alert user to the presence of important operating and maintenance (servicing) instruction in the literature accompanying the appliance.

"Ventilation not being impeded."

"Do not exposed to dripping or splashing and that no objects filled with liquids, such as vases, shall be placed on the apparatus."

Specification

FREQUENCY	: FM 87.5 -108.5 MHz AM 525 - 1710 KHz
POWER SOURCE	: AC120V~60HZ
ANTENNA	: EXTERNAL 300 Ohm ANTENNA FOR FM or AM
POWER CONSUMPTION	: 110W
AUDIO POWER OUTPUT	: 18W x 2
SPEAKER OUTPUT	: 18W
SPEAKER SIZE	: 6 1/2" x4 Ohm x 2
SPEAKER Ohm	: 4
SPEAKER WATT	: 40W
SPEAKER QUANTITY	: 2

***DESIGN AND SPECIFICATIONS SUBJECT TO CHANGE WITHOUT NOTICE.**

Welcome

Thank you for purchasing the the Crosley Jukebox with CD (CR12-1). Before operating this unit, please read this manual thoroughly and retain it for future reference.

About This Manual

Instructions in this manual describe the control functions of the CR12-1.

Table of Contents

Control Locators	
Unit Controls.....	4
Remote Controls.....	5
Getting Started	
Power Source.....	6
Unpacking.....	6
CD Operation	
CD Operation.....	6
MP3 CD Operation.....	7
Programming.....	7
Random Playing.....	8
Repeat Playing.....	8
Mute.....	8
Intro.....	8
BBS.....	8
EQ.....	8
Search Play (For MP3 only).....	9
Radio Operation	
Radio Operation.....	9
Programming Stations.....	9
General	
Troubleshooting Guide.....	10
External Speaker Jacks.....	10
Warranty.....	11

CD Operation

Random Playing

You can play all the tracks in random mode.

- 1 During playing, pause or stop mode, press RANDOM (17/56) to enable random play mode. "RANDOM" will appear on the display.
- 2 To exit RANDOM mode, press RANDOM (17/56) again "RANDOM" will disappear from the display.

Repeat Playing

- 1 In stop or play mode, press the REPEAT (19/57) once, "REPEAT 1" will show on the LCD display. The selected tracks will play repeatedly.
- 2 Press the REPEAT (19/57) twice, "REPEAT ALL" will be shown on the LCD display. All the tracks will play repeatedly.
- 3 Press the REPEAT (19/57) for the third time, the "ALBUM REPEAT" will show on the LCD display, the tracks in the selected Album will play repeatedly.
- 4 To exit the repeat mode, press REPEAT(19/57) repeatedly until the "REPEAT" icon disappears from the LCD display.
Note :
If the RANDOM function is selected, the repeat play mode will be disabled.

Mute

Press MUTE (24/62) to cut off the volume, the "MUTE" on the will flash on the LCD display.

Intro

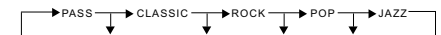
Press INTRO(23/44) , "INTRO" will shown on the LCD display , the first 10 seconds of each track will play automatically.

BBS

- 1 Press BBS(21/59) to once to switch ON the BBS sound effect.
- 2 Press BBS (21/59) twice to switch OFF the BBS sound effect.

EQ

Press EQ (3/60) repeatedly to choose the sound field as below sequence:



MP3 CD Operation

- 1 Press FUNCTION (6/63) until CD appears on LCD display.
- 2 Press OPEN/CLOSE(11) to open the CD drawer(12).
- 3 Place a CD in the CD Drawer with the label side facing up.
- 4 Press OPEN/CLOSE(11) again to close the CD drawer(12)The Total Album number and Total play time of MP3-CD will show on the LCD display(25)(For e.g. 100 tracks file in 10 Album evenly)
- 5 Press PLAY/PAUSE (7/42) to begin playback.
- 6 Press SKIP+(8/39) to go forward to the next track.
- 7 Press SKIP- (10/40) to go backward to the previous track.
- 8 Press PRESET-UP (18/38) to go to the next album or folder.
- 9 Press PRESET-DOWN (16/41) to go back to the previous album or folder.
- 10 Press STOP (9/45) to stop playing the CD.
- 11 Press PLAY/PAUSE (7/42) to pause playback.
- 12 Press PLAY/PAUSE(7/42) again to resume playing.



Programming

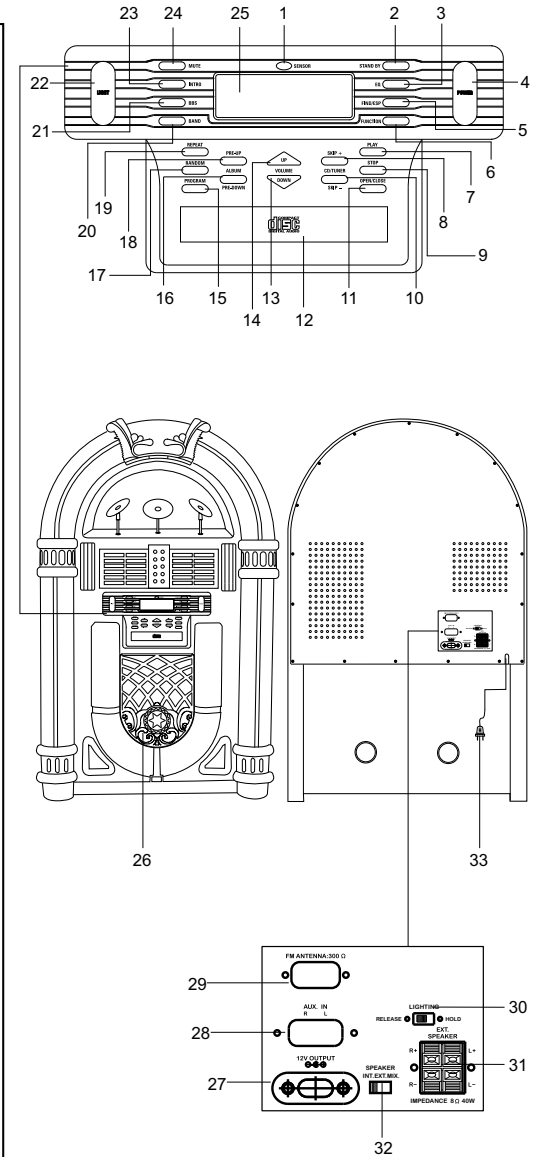
Up to 64 tracks can be programmed for play in any desired sequence.
 **The track must be programmed in the stop mode.
 **The same track can be programmed more than once.

- 1 While the CD is stopped, press the PROGRAM button (15/43). "00" will begin to flash on the display. After a second, "Memory" and "000 P -- 01" will show on the display.
- 2 Press SKIP+ (8/39) or SKIP- (10/40) to select an album/folder.
- 3 Press the PROGRAM (15/43) to store the selected album. "oX" will be shown on the display and the "000" will start flashing. (where "X" indicates the selected album)
- 4 Press SKIP+ (8/39) or SKIP- (10/40) to select the desired tracks within the selected album /folder.
- 5 Press the PROGRAM (15/43) to store the selected track. "00", "PROGRAM" and "000 P - - 02" will be shown on the display.
- 6 Repeat steps 2 - 5 to select and store other desired tracks.
- 7 Press PLAY/PAUSE (7/42) to start programmed playing from the PROGRAM 01 track.
- 8 Press PLAY/PAUSE (7/42) to begin playback of the programmed tracks.

Unit Controls

- 1) SENSOR
- 2) STAND BY
- 3) EQ
- 4) POWER
- 5) FIND/ESP
- 6) FUNCTION
- 7) PLAY / PAUSE
- 8) CD/TUNER SKIP +
- 9) STOP
- 10) CD/TUNER SKIP -
- 11) OPEN/CLOSE
- 12) CD DRAWER
- 13) VOLUME DOWN
- 14) VOLUME UP
- 15) PROGRAM
- 16) PRESET-DOWN
- 17) RANDOM
- 18) PRESET-UP
- 19) REPEAT
- 20) BAND
- 21) BBS
- 22) LIGHT
- 23) INTRO
- 24) MUTE
- 25) LCD DISPLAY
- 26) SPEAKER
- 27) 12V OUTPUT
- 28) AUX. IN
- 29) FM ANTENNA:300 Ω
- 30) LIGHTING SWITCH (RELEASE / HOLD)
- 31) EXT. SPEAKER
- 32) SPEAKER INT. EXT. MIX
- 33) POWER PLUG

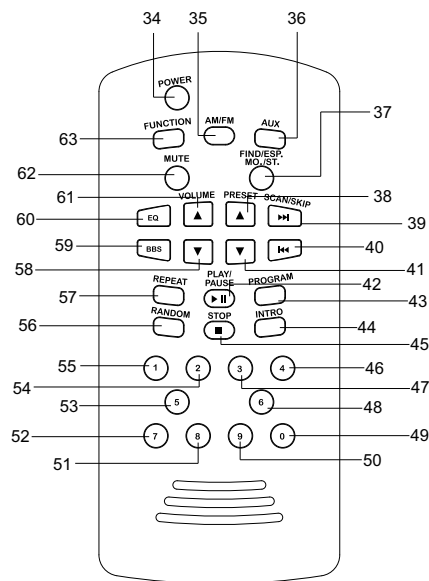
Control Locators



Control Locators

Remote Controls

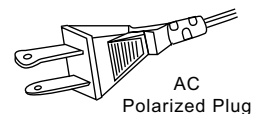
- 34) POWER
- 35) AM/FM
- 36) AUX
- 37) FIND/ESP. MO./ST.
- 38) PRESET -UP
- 39) SCAN/SKIP +
- 40) SCAN/SKIP -
- 41) PRESET -DOWN
- 42) PLAY/PAUSE
- 43) PROGRAM
- 44) INTRO
- 45) STOP
- 46) 4
- 47) 3
- 48) 6
- 49) 0
- 50) 9
- 51) 8
- 52) 7
- 53) 5
- 54) 2
- 55) 1
- 56) RANDOM
- 57) REPEAT
- 58) VOLUME -
- 59) BBS
- 60) EQ
- 61) VOLUME +
- 62) MUTE
- 63) FUNCTION



Getting Started

Power Source

- 1 Unwind the AC POWER CORD (17) at the back of the unit and connect it to a power outlet.
- 2 Plug A/C cord into appropriate outlet.



Note: This product may be equipped with a polarized alternating-current line plug (a plug having one blade wider than the other.) This plug will fit into the power outlet only one way. This is a safety feature. If you are unable to insert the plug fully into the outlet try reversing the plug, if the plug should still fail to fit, contact your electrician to replace your obsolete outlet. Do not defeat the safety purpose of the polarized plug.

- 3 Install 2 AAA batteries (not included) in remote control.
- 4 Plug A/C cord into appropriate outlet.

Unpacking

- 1 Remove packing materials from unit.
Note: Save all packing materials.
- 2 Remove plastic safety cover from A/C plug.
- 3 Remove tie from A/C cord
- 4 Open lid and remove styrofoam shipping material from turntable.

CD Operation

CD Operation

- 1 Press FUNCTION (6/63) until CD appears on LCD display.
- 2 Press OPEN/CLOSE(11)to open the CD drawer.
- 3 Place a CD in the CD Drawer with the label side facing up.
- 4 Press OPEN/CLOSE(11) again to close the CD drawer(12).
- 5 The Total track no and Total play time of CD will show on the LCD display(25).
- 6 Press PLAY/PAUSE (7/42) to start playing the CD.
- 7 Press SKIP+(8/39) to go forward to the next track.
- 8 Press SKIP- (10/40) to go backward to the previous track.
- 9 Press STOP (9/45) to stop playing the CD.
- 10 Press PLAY/PAUSE (7/42) to pause playback.
- 11 Press PLAY/PAUSE(7/42) again to resume playing.