

Crosley®

All about the

Use & Care

of your Dishwasher

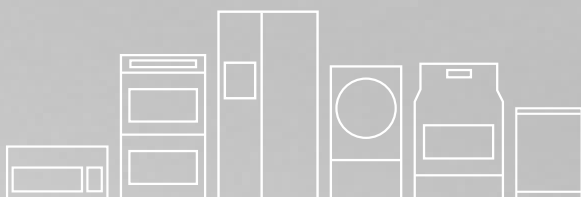


TABLE OF CONTENTS

Important Safety Instructions.....	2	Dishwasher Dispenser and Detergents	10
Product Registration	3	Factors Affecting Performance	11
Features at a Glance.....	4	Care and Cleaning	12-13
Operating Instructions	5-6	Before you Call.....	13-15
Preparing and Loading Dishes	7-9	Major Appliance Warranty	16

IMPORTANT SAFETY INSTRUCTIONS



WARNING

Please read all instructions before using this dishwasher.

For your Safety

- Use your dishwasher only as instructed in this Use and Care Manual.
- This Manual does not cover every possible condition and situation that may occur. Use common sense and caution when installing, operating and maintaining any appliance.
- NSF certified residential dishwashers are not intended for licensed food establishments.
- **DISHWASHER MUST BE ELECTRICALLY GROUNDED.** Read the Installation Instructions for details.
- This dishwasher is designed to operate on regular house current (120V, 60Hz). Use a circuit equipped with a 15 ampere fuse or circuit breaker. Use a 20 ampere fuse if dishwasher is connected with a food disposer.
- Do not operate dishwasher unless all enclosure panels are in their proper place.
- To avoid entrapment and/or suffocation, remove door or door latch mechanism from any dishwasher that is discarded or not in use.
- Keep young children and infants away from dishwasher when it is operating.
- Do not let children abuse, sit, stand or play on door or racks of a dishwasher.
- Use only detergents and rinse agents recommended for use in a dishwasher.
- Store dishwasher detergent and rinse agents out of the reach of children.
- Do not wash plastic items unless marked: "Dishwasher Safe" or equivalent. Check with manufacturer for recommendations, if not marked. Items that are not marked dishwasher safe may melt and create a potential fire hazard.
- Disconnect electrical power to dishwasher before servicing.
- If the dishwasher drains into a food disposer, make sure disposer is completely empty before running dishwasher.
- Repairs should be done by a qualified technician.
- Do not tamper with controls.
- Do not touch the heating element during or immediately after wash has completed.
- Use care unloading the dishwasher when the SANITIZE option has been selected. Contents may be hot to the touch immediately after the end of cycle.
- Water vapor from the vent may be hot to the touch when the SANITIZE option has been selected. Use care and do not let small children play around or touch the vent area of the dishwasher.
- When loading items to be washed:
 - Locate sharp items and knives so that they are not likely to damage the door seal or tub.
 - Load sharp items and knives with the handles up to reduce the risk of cut-type injuries.
 - Under certain conditions, hydrogen gas may be produced in a hot water, system that has not been used for 2 weeks or more. **HYDROGEN GAS IS EXPLOSIVE.** If hot water system has not been used for such a period, before using dishwasher, turn on for several minutes. This will release any accumulated hydrogen gas. **HYDROGEN GAS IS FLAMMABLE.** Do not smoke or use an open flame during this time.
 - Do not store or use combustible materials, gasoline or other flammable vapors and liquids in the vicinity of this or any other appliance.



WARNING

To reduce the risk of fire, electrical shock or injury when using your dishwasher, follow the above basic precautions ..



WARNING

This symbols will help alert you to such dangers as personal injury, burns, fire and electrical shock..

Thank you for choosing **Frigidaire**

This Use & Care Guide is part of our commitment to customer satisfaction and product quality throughout the service life of your new appliance.

We view your purchase as the beginning of a relationship. To ensure our ability to continue serving you, please use this page to record important product information.

Purchase Date

Model Number

Serial Number

Registering your product with Frigidaire enhances our ability to serve you. You can register online at **www.frigidaire.com** or by dropping your Product Registration Card in the mail.



Very Important Information
- **Read Before Operating Your Dishwasher!**

Normal Operating Sounds

This dishwasher does not sound like most dishwashers - **IT'S QUIETER.**

Your Precision Direct Wash System dishwasher uses energy efficient motors for the wash and drain portions of the cycle you select. Each cycle has a series of water fills and drains for washing and rinsing dishes. As each cycle begins, you may - or may not - hear the drain motor.

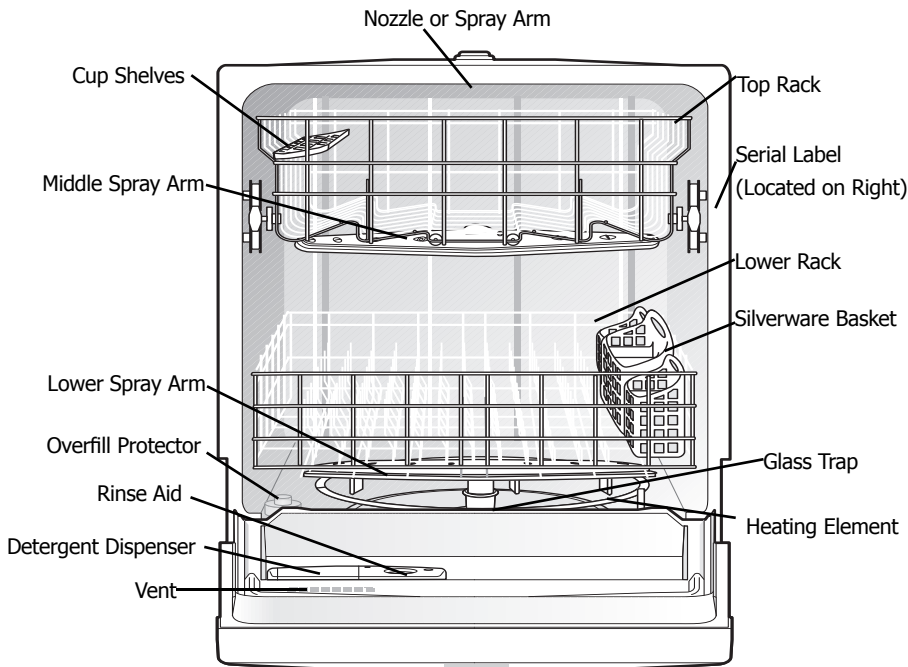
The next sound you will hear is the splashing water as it enters the tub. Then the lower arm rotates and circulates water. This is followed by a pause and a slightly different sound as the upper arms spray water. If you listen closely, you will hear the change in sound as the wash action switches from one arm to the other.

PLEASE BE ADVISED: If you compare this dishwasher to previous models, you may be surprised at what you **DON'T** hear.

FEATURES AT A GLANCE

Your dishwasher cleans by spraying a mixture of hot water and detergent through the spray arms against soiled surfaces. First, the dishwasher fills with water covering the filter area. Water is then pumped through the spray arms. Soil particles go through and across the filter and down the drain as the water is pumped out. This series of steps are repeated as needed. The number of water fills vary with the cycle being used.

Features may vary according to model



Getting Started

1. Load Dishwasher (See Preparing and Loading Dishes).
2. Add detergent (See Dishwasher Dispenser & Detergents).
3. Add Rinse Aid, if needed (See Rinse Aid).
4. Close door to latch.
5. Select desired CYCLE (See Cycle Chart). The indicator light above the pad will glow when selected.
6. Select desired OPTION (See Energy Options). The indicator light above the pad will glow when selected.
7. Run hot water faucet nearest dishwasher until water is hot. Turn water off.
8. To start, press START/CANCEL pad.

NOTE

Not all cycles and options available on all models.

NOTE

The dishwasher is programmed to remember your last cycle so you do not have to reset each time. To start the dishwasher using the same cycle and options selected on the previous wash, just press the START/CANCEL pad.

Wash Cycle Selections

Cycle times are approximate and will vary with options selected. Hot water is necessary to activate dishwasher detergent and melt fatty food soils. An automatic sensor will check the incoming water temperature and, if it is not hot enough, the cycle will be lengthened for automatic water heating in the main wash and final rinse of all cycles. This happens even when HI-TEMP WASH option has not been selected. When HI-TEMP WASH is selected, an even higher temperature will be reached to handle heavier soil loads.

OPERATING INSTRUCTIONS

Option Selections (*available on select Models)

*Sanitize Option

To sanitize your dishes and glassware, select SANITIZE option. When selected, the light above the pad will come on and remain on until end of cycle. The water temperature in the final rinse will be raised to 155°F (68°C) and will maintain that temperature for 9 minutes. This option is available in Heavy and Normal Cycles. Only these sanitization cycles have been designed to meet NSF requirements.

The cycle time will be extended until the proper water temperature is reached. Washing action will continue during the water heating delay. For best results, the incoming water temperature should be at least 120°F (49°C).

The sanitize criteria may not be satisfied if there is an interruption of the cycle, power failure or if the incoming water temperature is below 120°F (49°C).

To turn off the SANITIZE option, press the pad a second time. The light above the pad will turn off.

*Hi-Temp Wash Option

When HI-TEMP WASH option is selected, the dishwasher heats water in the main wash to approximately 140°F (60°C).

This increase in water temperature helps the dishwasher detergent remove food grease and soil from dishes more effectively and aids in improved drying performance. HI-TEMP WASH option can be used with all cycles except RINSE ONLY. HI-TEMP WASH is automatically provided when the HEAVY WASH cycle is selected.

When HI-TEMP WASH option is selected, the light above the pad will come on and remain on until end of cycle. To turn off the HI-TEMP WASH option, press the pad a second time. The light above the pad will turn off.

Heat Dry

The HEAT DRY option in combination with rinse aid will enhance drying performance. The energy required to use the HEAT DRY option costs pennies per cycle; however you will have items in your dish load that will not be completely dry at the end of the cycle.

To Cancel a Cycle

You can cancel a cycle anytime during the cycle. Press and hold the START/CANCEL pad for 3 seconds. The light above the cycle and option selected will go out, the START/CANCEL light will remain illuminated, the dishwasher will start a 90 second drain. At the end of the drain, select the next desired cycle.

*Delay Start

The DELAY START option allows you to automatically delay starting your dishwasher for either 2-4-6 hours.

To activate delay start option for 2-4-6 hour delay, press the pad once for a 2 hour delay, twice for 4 hours and three times for 6 hours. A light will come on indicating the delay start hours and will remain on until cycle starts. Press the START/CANCEL pad to start the delay option. If the delay option is interrupted, the START/CANCEL pad will have to be pressed again to return to delay option.

To cancel the DELAY START option and begin the cycle before the delay period is over, press and hold the START/CANCEL pad for **3 seconds**.

Child Lock Controls

To prevent children from accidentally changing the dishwasher cycle or starting the dishwasher, lock the dishwasher controls by pressing and releasing the DRY OPTION pad for 3 seconds while the door is latched. An indicator light on the lock graphic pad will illuminate when the controls are locked and no new selections can be made until the lock is released. To unlock the controls, press the same pad, DRY OPTION, again for 3 seconds until the indicator light goes out.

*Status Indicator Lights

The WASHING light comes on at the beginning of the cycle and remains on until the end of the main wash.

Whether heated or unheated dry is selected the DRYING light will come on during the drying portion of the cycle.

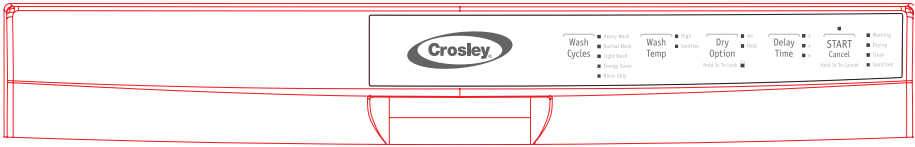
When the SANITIZE option is selected, the SANITIZED light will glow when the SANITIZE cycle is finished. If the dishwasher did not properly sanitize the dishes, the light will not come on. This can happen if the cycle is interrupted. The light will remain on until the door is opened.

The CLEAN light will come on at the end of cycle and remain on until the door is opened.

NOTE

If the dishwasher door is opened while the unit is running, the START/CANCEL pad must be pressed and the door shut immediately to return the unit to the selected cycle and option, this must happen within 10 minutes for the unit to continue the cycle.

OPERATING INSTRUCTIONS



Model CDBEH600

Cycle and Option Chart

Cycle and intended use	Available Options Temperature; Drying	Water per Cycle (approx.)	Duration* (approx.)
Heavy Wash Recommended for pots, pans, casseroles and dinnerware having light to heavily soiled loads.	Sanitize, Hi-Temp Heat Dry, Air Dry	9 gal. 34 L.	2 1/4 - 2 1/2 Hours
Normal Wash Recommended for lightly to heavily soiled loads.	Sanitize, Hi-Temp, Normal; Heat Dry, Air Dry	2.9 - 7.6 gal. 11 - 29 L.	1 1/2 - 2 1/4 Hours
Light Wash Recommended for lightly soiled loads only.	Hi-Temp, Normal Heat Dry, Air Dry	5 gal. 19 L.	1 1/2 Hours
Energy Saver A cycle used to reduce dishwasher energy consumption.	Normal Heat Dry, Air Dry	5 gal. 19 L.	1 1/2 Hours
Rinse Only For rinsing dishware that will be washed later.	N/A	2 gal. 8 L.	16 Mins. (Air Dry Only)

*Does not include drying time.

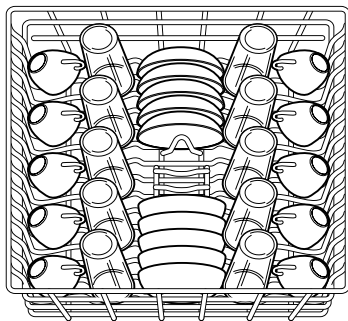
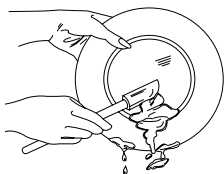
PREPARING AND LOADING DISHES

Dish Preparation

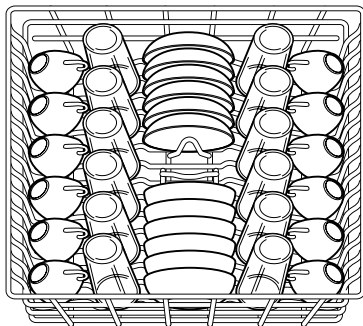
Scrape away large pieces of food, bones, pits, toothpicks, etc. The continuously filtered wash fluid will remove remaining food particles. Burned-on foods should be loosened before loading. Empty liquids from glasses and cups.

Foods such as mustard, mayonnaise, vinegar, lemon juice and tomato based products may cause discoloration of stainless steel and plastics if allowed to sit for a long period of time. Unless the dishwasher is to be operated at once, it is best to pre-rinse or use the rinse only cycle to rinse off these food soils.

- Load racks so that large items do not prevent the detergent dispenser from opening.
- Check manufacturer's recommendations before washing items in question.
- If the dishwasher drains into a Food Disposer, **be sure disposer is completely empty before starting dishwasher.**



10 place settings standard loading pattern



12 place settings standard loading pattern

Loading the Top Rack

Features and appearance of racks and silverware basket may vary from your model.

The upper rack is designed for flexibility in loading a wide variety of items including cups, glasses, stemware, small plates, bowls, etc.

Load glasses in top rack only. Damage may occur if placed in bottom rack.

Load plastic items in top rack only. Melting may occur if placed in bottom rack.

Load items with open ends facing down for better cleaning and draining.

Damage may occur if delicate items touch each other during dishwasher operation.

Long-handled knives and utensils can be placed in top rack.

Be sure nothing protrudes through the bottom of the rack to block rotation of middle spray arm.

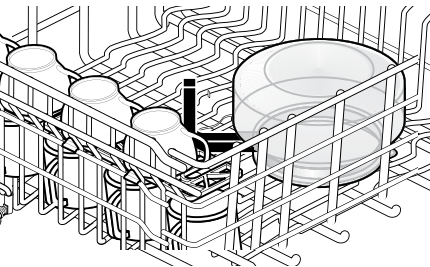
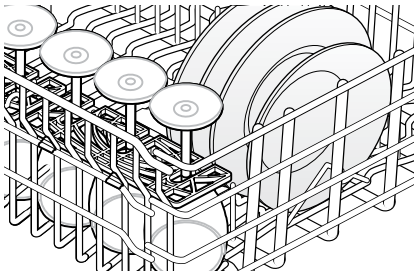
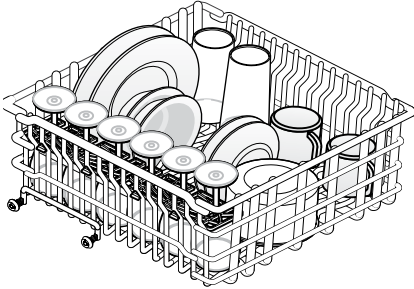
Some models have a fold-down cup shelf or a cup shelf/stemware holder. They can be used to load two levels of cups, juice glasses, and other short items. Stagger items on upper level so that water can reach all inside surfaces. Fold up to load tall glasses.

PREPARING AND LOADING DISHES

Top Rack

The TOP RACK option can be used to wash a wide assortment of items when you don't have a full load. Also, when the upper rack fills up with glasses and the lower rack is still empty, you don't have to wait anymore for clean glasses.

STEMWARE HOLDER/CUP SHELF not available on all models.



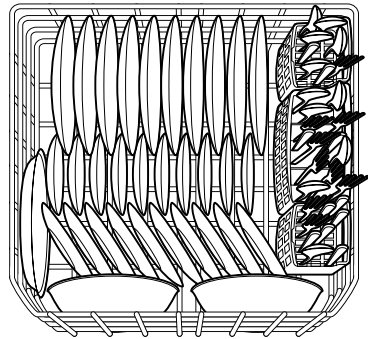
Loading the Bottom Rack

Features and appearance of racks and silverware basket may vary from your model.

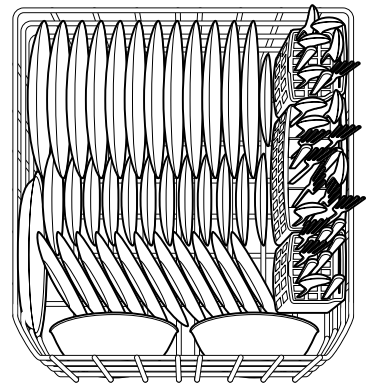
The lower rack is best for plates, saucers, bowls, and cookware. Large items should be placed along the edge so they do not block the spray arm rotation. For best results, place bowls, casseroles, and sauce pans with soiled surface facing down or toward the center. Tilt slightly for better drainage.

Make sure tall items do not block spray arm rotation.

Be sure pan handles do not protrude through the bottom of the rack and block the spray arm rotation.



10 place settings standard loading pattern.



12 place settings standard loading pattern.

PREPARING AND LOADING DISHES

Loading the Silverware Basket



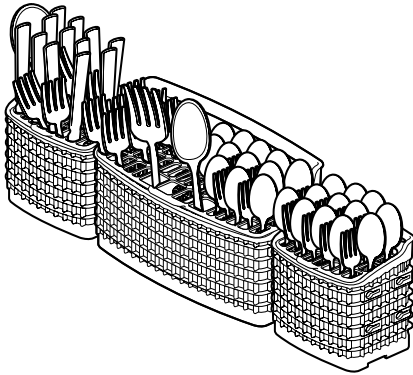
CAUTION

Load sharp items (knives, skewers, etc.) pointing down.

Failure to do so may result in injury.

Features and appearance of racks and silverware basket may vary from your model.

Load the silverware basket while it is in the bottom rack or take the basket out for loading on a counter or table.

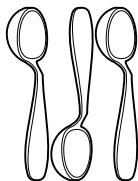
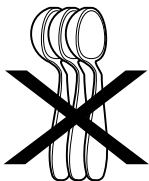


Use suggested loading patterns, as shown, to increase washability of the silverware.

Be sure nothing protrudes through bottom of basket or rack to block the spray arm.

Do not mix silver and stainless to avoid damaging the silver finish.

When covers are up, mix items in each section of the basket with some pointing up and some down to avoid nesting. Water spray cannot reach nested items.



Adding a Dish

To add or remove items after wash cycle starts:

- Unlatch door and wait a few seconds until wash action stops before opening.
- Add the item and wait a few seconds to allow cold air to slowly expand inside dishwasher.
- Close door firmly to latch and press the START/CANCEL pad to resume.

DISHWASHER DISPENSER & DETERGENTS



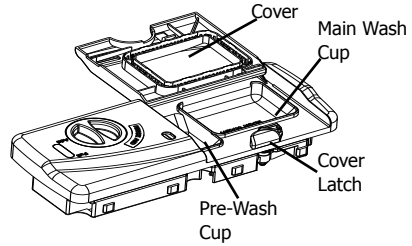
CAUTION

The use of industrial grade detergent can damage the heating coil and other parts of the dishwasher leading to damage to the unit and surrounding property. Use only household grade automatic dishwasher detergents.

Filling the Detergent Dispenser

The detergent dispenser has two detergent cups. The smaller one is for addition to the pre-wash and the larger is for release to the main wash.

- Use only fresh automatic dishwashing detergent. Other detergents may cause oversudsing.
- When using automatic dishwashing detergent tabs, place one tab in main wash cup and close.
- Add detergent just before starting cycle.
- Store detergent in a cool, dry location. Moist or caked detergent may not dissolve properly.



If the cover is closed on the Main Wash Cup open by pressing the Cover Latch.

How much Detergent to use

The amount of detergent to use depends on the water hardness. Water hardness is measured in grains per gallon. Using too little detergent can result in poor cleaning and hard water filming or spotting. Using too much detergent in soft water can cause etching to some glassware which is surface damage that appears like a film but cannot be wiped off. Your local water company, water softener company or county extension agent can tell you the water hardness in your area.

Detergent Usage Chart

Cycle	Soft Water (0-3 grains)	Medium Hard Water (4-8 grains)	Hard Water (9-12 grains)	Very Hard Water (Over 12 grains)
Heavy Wash or Normal Wash	2 teaspoons (each cup- 1/4 full)	5 teaspoons (each cup- fill to line above "Regular")	8 teaspoons (each cup- completely full)	Each Cup- Completely Full (water softener recommended)
Top Rack	2 teaspoons (Main Wash cup- 1/4 full)	5 teaspoons (each cup- fill to line above "Regular")	8 teaspoons (Main Wash cup- completely full)	Main Wash Cup- Completely Full (water softener recommended)
Rinse Only	No Detergent	No Detergent	No Detergent	No Detergent (water softener recommended)

As a rule, use 1 teaspoon for each grain above 12. For very hard water, detergent alone may not be enough and then a water softener is recommended to improve water quality and dishwashing performance.

FACTORS AFFECTING PERFORMANCE

Rinse Aid

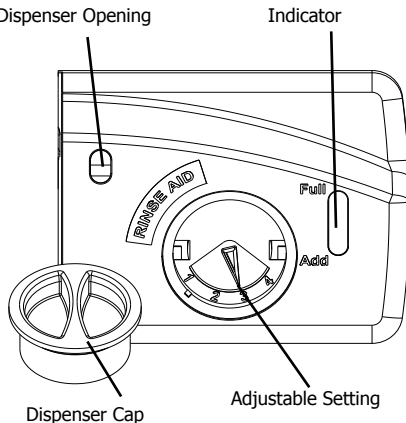
Rinse aid greatly improves drying, reduces water spots, filming, and lubricates wash arm bearing for proper rotation. With it water “sheets” off dishes rather than forming water droplets that cling and leave spots.

A dispenser, located next to the detergent cup, automatically releases a measured amount of rinse aid during the last rinse. If spotting and poor drying are problems, increase the amount of rinse aid dispensed by rotating the dial to a higher number. The dial is located under the dispenser cap. The indicator will be dark when full and will show clear when it is time to refill.

To add liquid rinse aid, turn dispense cap 1/4 turn counterclockwise and lift out. Pour in rinse aid until liquid touches the indicated fill level. Replace cap.

Do not overfill since this can cause oversudsing. Wipe up any spills with a damp cloth.

The dispenser holds enough for 35 to 140 washes, depending on setting.



The HEAT DRY option in combination with rinse aid will enhance drying performance. The energy required to use the HEAT DRY option costs pennies per cycle. You may choose not to select the HEAT DRY option; however you will have items in your dish load that will not be completely dry at the end of the cycle.

Water Pressure

The hot water line to dishwasher must provide water pressure between 20 and 120 psi.

Low Water pressure may occur when laundry or showers are in operation. If you experience poor wash performance you may need to wait until water use is reduced before starting dishwasher.

Water Temperature

Hot water is needed for best dishwashing and drying results. Water entering dishwasher should be at least 120°F (49°C) to give satisfactory results.

To check water temperature entering dishwasher:

- Turn on hot water faucet nearest dishwasher for several minutes to clear cool water from pipes.
- Hold a candy or meat thermometer in the water stream to check the temperature.
- If temperature is below 120°F (49°C), have a qualified person raise the hot water heater thermostat setting.



IMPORTANT

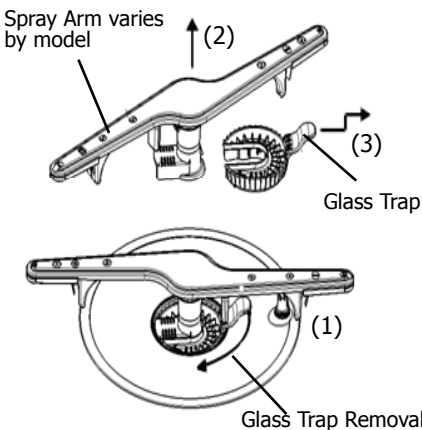
Before starting a cycle, run hot water to clear cool water from pipe.



NOTE

To achieve the best results from your dishwasher, visit www.dishwashingexpert.com for general tips regarding the performance and operation of your dishwasher.

CARE AND CLEANING



To empty the glass trap:

1. Grasp the glass trap's handle and rotate it 90° clockwise while pressing down on the center of the wash arm.
2. Grab the spray arm in the center and lift the spray arm and glass trap assembly up and out from the dishwasher.
3. Tip the assembly over an appropriate container and tap it to empty the glass trap.
OR, separate the glass trap - pull the glass trap handle toward you, then up, then further toward you to slide it away from the rest of the assembly; empty it into an appropriate container; then slide the glass trap back into the assembly.
4. Place the assembly back into position, press down on the arm at the center and rotate the glass trap handle 90° counterclockwise being sure the glass trap ends in the orientation shown in the image above. **To avoid damage to your unit make sure the spray arm and glass trap are fully snapped in place.**



NOTE

Hard water may cause lime deposit buildup on the interior of the dishwasher. For cleaning instructions see "Removing Spots and film" section.



WARNING



Burn Hazard

Allow heating element to cool before cleaning the interior.

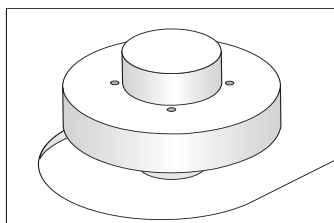
Failure to do so can result in burns.

Outer Door - Clean outer door with warm soapy water and a dishcloth or sponge. Rinse with clean water and a dry cloth. Do not use harsh cleaners.

Inside - The inside of the dishwasher and filter are self-cleaning with normal use. If needed, clean around the tub gasket area with a damp cloth. The filter is self-cleaning. A glass trap located in the center of the filter is designed to collect pieces of broken glass, straws, bones and pits.

Overflow Protector- keeps dishwasher from overflowing and is located in the left front corner of the tub.

- Clean occasionally with household cleaner containing vinegar or bleach to dissolve any buildup.
- Overflow Protector should move up and down freely about one inch. If it does not move, lift and clean underneath.



Care of Drain Air Gap

If a drain air gap was installed for your built-in dishwasher, check to make sure it is clean so the dishwasher will drain properly. A drain air gap is usually mounted on countertop and can be inspected by removing the cover. This is not part of your dishwasher and is not covered by warranty.

Winterizing

A dishwasher left in an unheated place should be protected from freezing. Have a qualified person do the following:

To Disconnect Service:

1. Turn off electrical power to the dishwasher at the supply source by removing fuses or tripping circuit breaker.
2. Shut off water supply
3. Place a pan under the inlet valve. Disconnect water line from inlet valve and drain into pan.
4. Disconnect drain line from pump and drain water into pan.

To Restore Service:

5. Reconnect the water, drain, and electrical power supply.
6. Turn on water and electrical power supply
7. Fill both detergent cups and run dishwasher through a HEAVY WASH/cycle.
8. Check connections to make sure they do not leak.



NOTE

See Installation Instructions for more details on disconnecting and restoring service to your dishwasher.

Before You Call

Before calling for service, review this list. It may save you both time and expense. This list includes common experiences that are not the result of defective workmanship or material in your dishwasher.

Food Soils Left on Dishes

- Choose another cycle for longer washing time.
- Check rack loading section for proper loading-avoid nesting items.
- Do not overload the dishwasher (See Preparing and Loading Dishes).
- Check to verify that the glass trap is maintained and installed properly (See Care and Cleaning)..
- Home water pressure may be too low-should be 20 to 120 pounds per square inch (psi).
- Check incoming water temperature. It should be about 120°F (49°C). (See Factors Affecting Performance.)
- Check water hardness. For extremely hard water, it may be necessary to install a water softener. (See Detergent Chart).
- Use Fresh Detergent.
- Make sure items are not blocking the spray arms, preventing them from rotating.

Dishes not Dry

- By selecting Heat Dry, Hi-Temp Wash or Sanitize options this will improve drying.
- Make sure the rinse aid dispenser is filled.
- Increase the discharge setting of rinse aid. (See Rinse Aid).
- Check the incoming water temperature. Be sure it is at least 120°F (49°C).
- Check for proper loading-avoid nesting items.
- Plastic items may need to be towel dried.
- Cups with a concave bottom will collect water. Load them at the far left of the upper rack so they will be held in a tilted position.
- Containers, bowls, pots/pans, and any dishware with concave surfaces that can collect water should be placed in the rack facing or angled down so that water is able to drain even from the lowest point.

Glassware/Flatware Spotted or Cloudy

- Check water hardness. For extremely hard water, it may be necessary to install a water softener. (See Detergent Chart).
- Water temperature may be low. Avoid extremely low or high temperatures. (See Factors Affecting Performance).
- Avoid overloading and improper loading. (See Preparing and Loading Dishes).
- Use fresh detergent. Old detergent is ineffective.
- Make sure rinse aid dispenser is filled.
- Check to see that proper amount of detergent is being used for cycle selected. (See Detergent Dispenser).
- Home water pressure may be too low-it should be 20 to 120 pounds per square inch (psi).

BEFORE YOU CALL

Dishware Chipped

- Load with care and do not overload. (See Preparing and Loading Dishes).
- Place delicate items in top rack.
- Place glasses securely against pins and not over pins.
- Load items so they are secure and don't jar loose when moving racks in and out. Move racks in and out slowly.
- Make sure tall glasses and stemware will clear top of tub when rack is pushed in.
- Fine antique china and crystal should be hand-washed.

Dishware Stained or Discolored

- Tea and coffee can stain cups. Remove the stains by hand washing in a solution of 1/2 cup (120 ml) bleach and one quart (1L) of warm water. Rinse thoroughly.
- Iron deposits in water can cause a yellow or brown film. A special filter installed in the water supply line will correct this problem. (See Removing Spots and Film).
- Aluminum utensils can leave gray/black marks when they rub against other items. Load Properly.
- Certain high acid foods can cause discoloration of stainless steel and plastics if allowed to sit for a long period. Use the Rinse Only cycle or rinse by hand if not operating dishwasher at once.
- Mixing stainless steel and silver utensils in silverware basket can cause pitting of the stainless steel blades. Avoid mixing stainless steel and silver.

Etching

- Using too much detergent especially in soft or softened water causes damage that looks like a film but cannot be removed.
- Adjust the amount of detergent based on the water hardness. (Check Detergent Chart).
- Lower the water temperature by selecting the Normal Cycle.

Dishwasher Won't Fill

- Assure the water supply is turned on.
- Check that the overflow protector moves up and down freely. (See Overflow Protector section).

Detergent Left in Cups

- Detergent may be old. Discard and use fresh detergent.
- Be sure the dish load doesn't spray from entering the detergent cup.
- Check to see if cycle has been completed.
- Make sure items do not prevent the detergent dispenser from opening.

Vapor at Vent

- Water vapor escapes from the vent during the drying part of cycle. This is normal.
- Spilled rinse aid can cause foam and lead to overflowing. Wipe up any spills with a damp cloth.
- Check to see that dishwasher is level. (See Installation Instructions).

Normal Sounds You Will Hear

- Normal sounds include water fill, water circulation and motor sounds.
- There is a noticeable change in sound when the wash action switches between the lower and middle spray arm. This is normal since each spray arm has its own sound.
- It is normal for the dishwasher to pause (no sound) when the wash action is switching between the lower and middle spray arms.

Water in Bottom of Tub

- Water left in the tub bottom after the cycle is complete is not normal. If water remains in the bottom of the tub, the dishwasher may not be draining properly. (See Dishwasher Does not Drain Properly).

Dishwasher Leaks

- Check that the door gasket is pressed into its mounting channel, reaches to the bottom of the tub and does not extend beyond the end rib so as to interfere with door closure.
- Spilled rinse aide can cause foam and lead to overflowing. Wipe up any spills with a damp cloth.
- Check to see that the dishwasher is level. (See Installation Instructions).
- Avoid oversudsing by using the correct amount of detergent designed for automatic dishwashers.
- Check to see that dishwasher is level. (See Installation Instructions).

Dishwasher Won't Run

- Check to see if circuit breaker is tripped or if a fuse is blown.
- Make sure water supply is turned on.
- Check to see if cycle is set correctly. (See Operating Instructions).
- Is dishwasher set for Delay Start Option?
- Make sure door is closed and latched.
- Make sure START/CANCEL pad is pressed after the cycle has been selected.

Dishwasher Does Not Drain Properly

- If unit is hooked up to a food waste disposer, make sure the disposer is empty.
- Assure the knockout plug has been removed from inside the food waste disposer inlet.
- Assure the drain hose isn't kinked.
- Make sure cycle is complete, not in a pause.
- Assure the glass trap is maintained and installed properly assuring no clogs (See Care and Cleaning).

Cycle Takes a Long Time

- The cycle may have been automatically lengthened to reach key temperatures due to some factor such as a cool water supply or a large load of dishes.
- Delay Start option may have been selected.
- Choose lower temperature options to shorten the cycle.
- Cycles that are soil-sensing adjust automatically to assure a good wash - heavier soils will elicit a longer cycle response.

Dishwasher has an Odor

- Soiled dishes left in dishwasher too long can create an odor. Use Rinse Only cycle.
- There will be a "new" smell when first installed. This is normal.
- Check to see if unit is draining properly. (See Dishwasher Does Not Drain Properly).

Stains on Tub Interior

- Washing large amounts of dishware with tomato based soil can cause a pink/orange appearance. This will not affect performance and will gradually fade over time. Pre-rinsing or using the Rinse Only cycle will reduce the chance of staining. Using no heat dry option will lessen staining.

Opening the door during cycle

- If the dishwasher door is opened while the unit is running, the START/CANCEL pad must be pressed and the door shut immediately to return the unit to the selected cycle and option, this must happen within 10 minutes for the unit to continue the cycle.

Removing Spots and Film

Hard water can cause lime deposit buildup on the interior of the dishwasher. Dishes and glasses may also get spots and film for a number of reasons. (See Glassware/Flatware Spotted or Cloudy section). To remove buildup, and film, clean using the following instructions:

1. Load clean dishes and glasses in normal manner. Do not load any metal utensils or silverware.
2. Do not add detergent.
3. Select the NORMAL WASH cycle. Close and latch door. Press START/CANCEL pad.
4. Allow dishwasher to run until it starts the second water fill (approximately 10 minutes).
5. Unlatch and open door and pour 2 cups of white vinegar into the bottom of dishwasher.
6. Close and latch door and allow cycle to finish.

MAJOR APPLIANCE WARRANTY

Your appliance is covered by a one year limited warranty. For one year from your original date of purchase, Crosley will pay all costs for repairing or replacing any parts of this appliance that prove to be defective in materials or workmanship when such appliance is installed, used and maintained in accordance with the provided instructions.

Exclusions

This warranty does not cover the following:

1. Products with original serial numbers that have been removed, altered or cannot be readily determined.
2. Product that has been transferred from its original owner to another party or removed outside the USA or Canada.
3. Rust on the interior or exterior of the unit.
4. Products purchased "as-is" are not covered by this warranty.
5. Food loss due to any refrigerator or freezer failures.
6. Products used in a commercial setting.
7. Service calls which do not involve malfunction or defects in materials or workmanship, or for appliances not in ordinary household use or used other than in accordance with the provided instructions.
8. Service calls to correct the installation of your appliance or to instruct you how to use your appliance.
9. Expenses for making the appliance accessible for servicing, such as removal of trim, cupboards, shelves, etc., which are not a part of the appliance when it is shipped from the factory.
10. Service calls to repair or replace appliance light bulbs, air filters, water filters, other consumables, or knobs, handles, or other cosmetic parts.
11. Surcharges including, but not limited to, any after hour, weekend, or holiday service calls, tolls, ferry trip charges, or mileage expense for service calls to remote areas, including the state of Alaska.
12. Damages to the finish of appliance or home incurred during installation, including but not limited to floors, cabinets, walls, etc.
13. Damages caused by: services performed by unauthorized service companies; use of parts other than genuine Crosley parts or parts obtained from persons other than authorized service companies; or external causes such as abuse, misuse, inadequate power supply, accidents, fires, or acts of God.

DISCLAIMER OF IMPLIED WARRANTIES; LIMITATION OF REMEDIES

CUSTOMER'S SOLE AND EXCLUSIVE REMEDY UNDER THIS LIMITED WARRANTY SHALL BE PRODUCT REPAIR OR REPLACEMENT AS PROVIDED HEREIN. CLAIMS BASED ON IMPLIED WARRANTIES, INCLUDING WARRANTIES OF MERCHANTABILITY OR FITNESS FOR A PARTICULAR PURPOSE, ARE LIMITED TO ONE YEAR OR THE SHORTEST PERIOD ALLOWED BY LAW, BUT NOT LESS THAN ONE YEAR. ELECTROLUX SHALL NOT BE LIABLE FOR CONSEQUENTIAL OR INCIDENTAL DAMAGES SUCH AS PROPERTY DAMAGE AND INCIDENTAL EXPENSES RESULTING FROM ANY BREACH OF THIS WRITTEN LIMITED WARRANTY OR ANY IMPLIED WARRANTY. SOME STATES AND PROVINCES DO NOT ALLOW THE EXCLUSION OR LIMITATION OF INCIDENTAL OR CONSEQUENTIAL DAMAGES, OR LIMITATIONS ON THE DURATION OF IMPLIED WARRANTIES, SO THESE LIMITATIONS OR EXCLUSIONS MAY NOT APPLY TO YOU. THIS WRITTEN WARRANTY GIVES YOU SPECIFIC LEGAL RIGHTS. YOU MAY ALSO HAVE OTHER RIGHTS THAT VARY FROM STATE TO STATE.

If You Need Service

Keep your receipt, delivery slip, or some other appropriate payment record to establish the warranty period should service be required. If service is performed, it is in your best interest to obtain and keep all receipts. Service under this warranty must be obtained by contacting Crosley at the addresses or phone numbers below.

This warranty only applies in the USA and Canada. In the USA, your appliance is warranted by Crosley Corporation. In Canada, your appliance is warranted by Crosley Canada Corp. Crosley Corporation authorizes no person to change or add to any obligations under this warranty. Obligations for service and parts under this warranty must be performed by Crosley Corporation or an authorized service company. Product features or specifications as described or illustrated are subject to change without notice.

FOR WARRANTY INFORMATION CONTACT:

USA 1.800.944.9044
Canada 1.866.213-9397

CROSLEY®
www.Crosley.com

FOR PRODUCT INFORMATION CONTACT:

336.761.1212
Crosley Corporation
111 Cloverleaf Drive, Suite 200
Winston-Salem, NC 27103

Crosley®

Tout à propos de

l'utilisation et l'entretien

de votre Dishwasher



TABLE OF CONTENTS

Mesures de sécurité importantes	18	Distributeur et Détergents.....	26
Enregistrement de Produit	19	Facteurs qui Affecte le Rendement	27
Caractéristiques de Lave-Vaisselle.....	20	Entretien et nettoyage	28-29
Fonctionnement de L'appareil.....	20-22	Solutions aux Problèmes Usuels	29-31
Préparation et Chargement de La Vasisselle.....	23-25	Garantie	32

MESURES DE SÉCURITÉ IMPORTANTES



AVERTISSEMENT

Lire toutes les instructions avant d'employer cet appareil:

- Lisez toutes les instructions avant de faire fonctionner votre lave-vaisselle.
- N'utilisez votre lave-vaisselle que selon les instructions incluses dans ce guide d'entretien et d'utilisation.
- Les instructions contenues dans le présent guide d'entretien et d'utilisation ne visent pas à couvrir toutes les situations qui pourraient se présenter. Faites preuve de sens pratique et prenez les précautions qui s'imposent lors de l'installation, l'utilisation et l'entretien de tout appareil électroménager.
- **LE CIRCUIT ÉLECTRIQUE DE CE LAVE-VAISSELLE DOIT ÊTRE MIS À LA TERRE.** Lisez les instructions d'installation pour de plus amples informations.
- Ce lave-vaisselle est conçu pour fonctionner avec un courant résidentiel normal (120 volts, 60 hertz). Utilisez un circuit équipé d'un fusible ou un disjoncteur de 15 ampères. Utilisez un fusible de 20 ampères si le lave-vaisselle est connecté avec un broyeur à déchets.
- Ne faites pas fonctionner le lave-vaisselle si tous les panneaux de carrosserie ne sont pas correctement en place.
- Pour éviter qu'une personne puisse s'enfermer à l'intérieur de l'appareil et/ou y suffoquer, retirez la porte ou le mécanisme de verrouillage de porte de tout lave-vaisselle inutilisé ou mis aux rebus.
- Tenez vos bébés et enfants loin du lave-vaisselle en fonctionnement.
- Ne laissez pas vos enfants faire une utilisation abusive, s'asseoir, grimper ou jouer sur la porte ou les paniers du lave-vaisselle.
- Utilisez seulement les détergers et agents de rinçage recommandés pour lave-vaisselle.
- Placez les détergers et agents de rinçage hors de la portée des enfants.
- Ne modifiez pas les commandes.
- Ne lavez pas les articles en plastique à moins d'indication contraire sur les étiquettes. S'il n'y a aucune indication à cet effet vérifiez avec le fabricant. Les articles non recommandés pour être lavés au lave-vaisselle risquent de fondre et de créer un risque d'incendie.
- Si le lave-vaisselle vidange dans un broyeur à déchets, assurez-vous que ce dernier est complètement vide avant de mettre en marche le lave-vaisselle.
- Débranchez l'alimentation électrique au lave-vaisselle avant d'entreprendre tout travail d'entretien ou de réparation.
- Pour ranger les articles dans le lave-vaisselle:
 - Ranger les couteaux et articles pointus pour qu'ils ne risquent pas d'endommager le joint de la porte ou la cuve.
 - Placer les couteaux et articles pointus, manches vers le haut pour réduire le risque de coupures.
 - Dans certains conditions, il est possible qu'il se produise une formation d'hydrogène dans la canalisation d'eau chaude in utilisée depuis 2 semaines ou plus. **L'HYDROGÈNE EST UN GAZ EXPLOSIF.** Si la canalisation d'eau chaude n'a pas été utilisée pendant un tel laps de temps, ouvrez tous les robinets d'eau chaude et laissez l'écouler l'eau pendant plusieurs minutes avant d'utiliser le lave-vaisselle. Ceci permettra d'évacuer tout hydrogène accumulé. **L'HYDROGÈNE EST UN GAZ INFLAMMABLE.** Ne fumez ou n'allumez aucune flamme dans une telle situation.
- Les réparations doivent être faites par un technicien qualifié.
- Ne touchez pas l'élément chauffant pendant ou immédiatement après l'utilisation.
- N'entreposez et n'utilisez pas d'essences et combustibles ou d'autres produits inflammables à proximité de cet appareil ou de tout autre appareil électro-ménager.



AVERTISSEMENT

Pour réduire les risques d'incendie, de choc électrique ou de blessures en utilisant votre lave-vaisselle, suivez les précautions qui s'imposent, incluant celles qui suivent:

ENREGISTREMENT DE PRODUIT

Merci de choisir **Frigidaire**

Ce & d'utilisation Le guide de soin fait partie de notre engagement à la satisfaction du client et de qualité u produit durant toute la duree de via de votre nouvel appareil.

Nous regardons votre achat comme commencement d'un rapport. Pour assurer notre capacité de continuer de vous servir, employer cette page pour enregistrer l'information sur le produit importe.

Date D'Achat

Numéro De Type

Numéro De Série

L'enregistrement de votre produit avec Frigidaire augmente notre capacité de vous servir. Vous pouvez s'enregistrer en ligne à **www.frigidaire.com** ou en laissant tomber votre carte d'enregistrement de produit dans le courrier.



REMARQUE

Le lave-vaisselle est programmé pour se souvenir du dernier cycle, ce qui évite d'avoir à le reconfigurer à chaque fois. Pour démarrer le lave-vaisselle en utilisant les options sélectionnées au cours du dernier lavage, il suffit de tourner le bouton de Sélectionnée sur le cycle choisi et d'enfoncer le bouton START/CANCEL.



REMARQUE

Pas tous les cycles et les options disponibles sur tous les modèles.



REMARQUE

Informations très importantes-Lisez avant de faire fonctionner votre lave-vaisselle!

Bruits Normaux de Fonctionnement

Ce lave-vaisselle ne génère pas le bruit des autres lave-vaisselle-IL EST PLUS SILENCIEUX!

Votre lave-vaisselle avec son système de Précision Direct se laver à de nombreuses améliorations à réduire le niveau sonore. Encore, il est normal d'entendre certains de ce qui se passe à l'intérieur. Le laver cycles comprennent plusieurs instances de l'eau qui pénètre dans l'unité (projection), laver le fonctionnement d'une pompe à pulvériser de l'eau sur la vaisselle (moteur & projection) et de l'exode discharge le fonctionnement d'une pompe eau sale et les sols. Les variations dans la capacité de pompage/pulvérisations sons sont normaux. Au cours d'un cycle, la pompe commute on et off de nombreuses fois, et le fonctionnemnet bascule de nouveau et entre les armes se laver à fournir les meilleures performances de nettoyage.

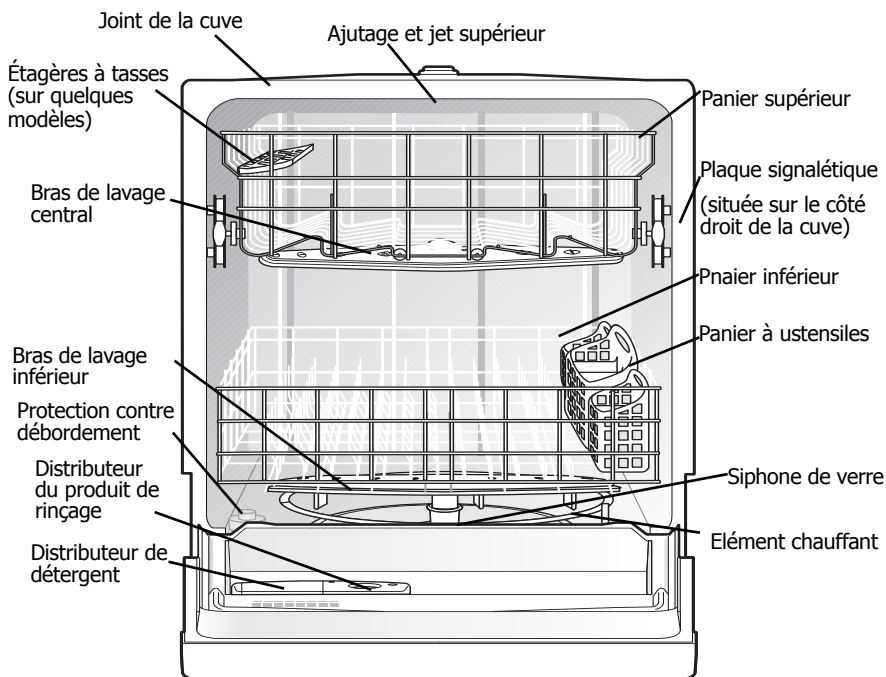
VEUILLEZ PRENDRE NOTE: que si vous comparez ce lave-vaisselle au modèles précédents, vous serez surpris de tout ce que vous n'entendez pas!

Préparatifs

1. Charger le lave-vaisselle.
2. Ajouter le détergent.
3. Ajouter le produit de rinçage, si nécessaire.
4. Fermer la porte à fond.
5. Sélectionner le CYCLE désirés. Le voyant indicateur au-dessus de la plage sera incandescent.
6. Sélectionner les OPTIONS désirés. Le voyant indicateur au-dessus de la plage sera incandescent.
7. Faire couler le robinet d'eau chaude le plus proche du lave-vaisselle jusqu'à ce que l'eau soit chaude. Fermer le robinet.
8. Pour démarrer, enfoncer le bouton START/CANCEL.

CARACTÉRISTIQUES DE LAVE - VAISSELLE

Votre lave-vaisselle lave la vaisselle et les ustensiles en faisant gicler un mélange d'eau chaude et de détergent à travers les bras de lavage contre les surfaces souillées. Par la suite, le lave-vaisselle se remplit d'eau de manière à recouvrir le filtre. L'eau est ensuite pompée à travers le filtre et les bras de lavage. L'eau sale chargée de particules solides est pompée par le tuyau d'écoulement et remplacée par de l'eau propre. Le nombre de remplissages d'eau dépend du cycle sélectionné.



Les caractéristiques peuvent varier selon le modèle

FONCTIONNEMENT DE L'APPAREIL

Choix de Cycle de Lavage

Les durées de cycle sont approximatives et varieront avec des options choisies. L'eau chaude est nécessaire pour activer le détergent de lave-vaisselle et pour fondre des sols de nourriture grasse. L'eau chaude est nécessaire pour la meilleure vaisselle et les résultats de séchage. Le lave-vaisselle entrant de l'eau devrait être au moins 120°F (49°C) pour donner des résultats satisfaisants.

Options (disponible sur certains modes)

Hi-Temp Wash Option

Lorsque l'option HI-TEMP WASH est sélectionnée, le lave-vaisselle porte la température de l'eau du lavage principal à environ 140°F (60°C).

Cette augmentation de la température de l'eau renforce l'action du détergent du lave-vaisselle pour enlever la graisse des ustensiles et les restes de nourriture plus efficacement et permet un séchage plus rapide de la vaisselle. L'option HI-TEMP WASH peut être utilisée avec tous les cycles sauf RINSE ONLY. L'option HI-TEMP WASH est fournie automatiquement lorsque le cycle HEAVY WASH or POWER PLUS est sélectionné.

Quand l'option HI-TEMP WASH est sélectionnée, le voyant lumineux situé au dessus du bouton s'allume et il ne s'éteint qu'à la fin du cycle. Pour annuler l'option HI-TEMP WASH, enfoncer le bouton une deuxième fois. Le voyant au dessus du bouton s'éteint.

FONCTIONNEMENT DE L'APPAREIL

Sanitize Option

Pour désinfecter votre vaisselle et vos verres, sélectionnez SANITIZE. Une fois sélectionné, le voyant lumineux situé au-dessus de la touche s'allume et reste allumé jusqu'à la fin du cycle. La température de l'eau au cours du dernier rinçage sera élevée à 155°F (68°C). Un rinçage de désinfection est fourni automatiquement dans le cycle SANITIZE.

La durée du cycle en question sera prolongée jusqu'à ce que la température correcte de l'eau soit atteinte. L'action de lavage se poursuit pendant le délai de chauffage de l'eau. Pour de meilleurs résultats, la température de l'eau devant être élevée doit être d'au moins 120°F (49°C).

Pour désactiver l'option SANITIZE, appuyez une seconde fois sur la touche. Le voyant lumineux situé au-dessus s'éteint.

Delay Start

L'option DELAY START vous permet de différer le départ de votre lave-vaisselle automatiquement de 2, 4, ou 6 heures.

Pour activer l'option de démarrage de retard pour 2, 4, ou 6 heures de retard, appuyez une fois sur la touche pour une attente de deux heures, deux fois pour une attente 4 heures et trois fois pour une de 6 heures. Un voyant s'allumera pour indiquer l'heure du départ et restera allumé jusqu'au début du cycle. Appuyez sur le bouton START/CANCEL pour démarrer l'option de retard. Si l'option de retard est interrompu, le bouton START/CANCEL devra être pressé pour revenir à retarder option.

Pour annuler l'option de démarrage de retard et commencer le cycle avant la période de retard est terminée, appuyez et maintenez le bouton START/CANCEL pendant 3 secondes.

Heat Dry

Utilisez l'option Sec chauffée, surtout en combinaison avec l'utilisation d'un agent rincer, permettra d'améliorer le séchage. Si de l'air sec est sélectionné le chauffage sera de'activée au cours de la phase de séchage du sélectionné cycle de lavage. Ce sera légèrement inférieur, mais l'utilisation de l'énergie va accroître la probabilité que la vaisselle ne sèche pas complètement.

To Cancel a Cycle

Vous pouvez annuler un cycle à tout moment au cours du cycle. Appuyez et maintenez le bouton START/CANCEL pendant 3 secondes. La lumière au-dessus du cycle et de l'option choisie sortira, la touche START/CANCEL lumière restera allumée, le lave-vaisselle va commencer un second drain 90. A la fin de la vidange, sélectionner le cycle désiré prochaine.

Child Lock Controls

Pour empêcher les enfants de changer accidentellement le cycle de lave-vaisselle ou le lave-vaisselle à partir, verrouiller les commandes du lave-vaisselle en appuyant et en relâchant le pad OPTION DRY pendant 3 secondes pendant que la porte est verrouillée. Un témoin lumineux sur la tablette graphique de verrouillage s'allume lorsque les commandes sont verrouillées et aucune nouvelle sélections peuvent être faites jusqu'à ce que le verrou est libéré. Pour déverrouiller les commandes, appuyez sur le même pad, OPTION DRY, pendant 3 secondes jusqu'à ce que le voyant est éteint.

Fonctionnement des voyants lumineux

Le voyant lumineux WASHING s'allume au début du cycle et ne s'éteint qu'à la fin du lavage principal.

Le voyant lumineux DRYING indique que le lave-vaisselle a atteint la portion séchage de son cycle. Le voyant s'allume quelle que soit l'option de séchage sélectionnée.

À l'exception de la rincer seul le cycle, le voyant lumineux CLEAN s'allume à la fin du cycle et ne s'éteint qu'à l'ouverture de la porte du lave-vaisselle.

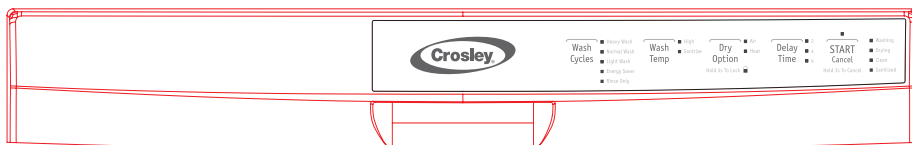
Quand l'option SANITIZE est sélectionnée, le témoin SANITIZED s'allume quand le cycle SANITIZE est terminé. Si la vaisselle n'a pas subi un lavage sanitaire, le témoin ne s'allumera pas. Ceci peut se produire si le cycle est interrompu. Le témoin demeure allumé jusqu'à l'ouverture de la porte.



REMARQUE

Si la porte du lave-vaisselle est ouverte alors que l'unité est en marche, l'START/CANCEL doit être pressé et la porte fermée immédiatement pour retourner l'appareil pour le cycle choisi et l'option, cela doit se faire dans les 10 minutes à l'appareil pour continuer le cycle.

FONCTIONNEMENT DE L'APPAREIL



Model CDBEH600

Cycle et Options Tableau

L'utilisation du vélo et destiné	Options disponibles: Température; Séchage	Eau par cycle (approx.)	Durée * (approx.)
Heavy Wash Recommandé pour casseroles, poêles, casseroles et vaisselle ayant charges légères à très sale.	Sanitize, Hi-Temp; Heat Dry, Air Dry	9 gal. 34 L.	2 1/4 - 2 1/2 Hours
Normal Wash Recommandé pour légèrement pour les charges très sales.	Sanitize, Hi-Temp, Normal; Heat Dry, Air Dry	2.9 - 7.6 gal. 11 - 29 L.	1 1/2 - 2 1/4 Hours
Light Wash Recommandé pour les charges peu souillées.	Hi-Temp, Normal; Heat Dry, Air Dry	5 gal. 19 L.	1 1/2 Hours
Energy Saver Un cycle utilisé pour réduire la consommation d'énergie lave-vaisselle.	Normal Heat Dry, Air Dry	5 gal. 19 L.	1 1/2 Hours
Rinse Only Pour rincer la vaisselle qui sera lavée plus tard.	N/A	2 gal. 8 L.	16 Mins. (Air sec seulement)

*Ne comprend pas le temps de séchage.

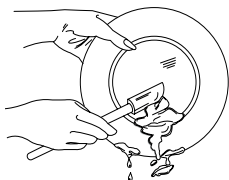
PRÉPARATION ET CHARGEMENT DE LA VAISSILLE

Préparation de la vaisselle

Enlever tout gros morceau d'aliment, os, noyau, cure-dent etc.. Le système de lavage à filtration continue enlèvera les particules d'aliments résiduels. Il faut également décoller les aliments brûlés avant de charger la vaisselle. Vider tout liquide des verres et des tasses.

Les aliments comme la moutarde, la mayonnaise, le vinaigre, le jus de citron et les produits à base de tomate risquent de décolorer l'acier inoxydable et les plastiques s'ils restent sur la vaisselle pour une longue période de temps. Il est préférable de rincer ces saletés auparavant, à moins que l'on compte faire fonctionner le lave-vaisselle immédiatement.

- Charger les paniers de manière à ce que les gros articles ne gênent pas l'ouverture du distributeur de détergents.
- Vérifier les recommandations du fabricant avant de laver tout article
- Si le lave-vaisselle vidange dans un broyeur d'aliments, **vous assurer qu'il est complètement vide avant de démarrer le lave-vaisselle.**



Chargement du panier supérieur

Les fonctions et l'apparence des paniers, y compris de celui des couverts, peuvent être différents de celles de votre modèle.

Le panier supérieur est conçu pour vous permettre de charger de nombreuses façons différentes un grand nombre d'ustensiles comprenant les tasses, les verres, les ustensiles à manche, les petites assiettes, les bols, etc.

Placez les verres dans le panier supérieur. Ils peuvent être cassés s'ils sont placés dans le panier inférieur.

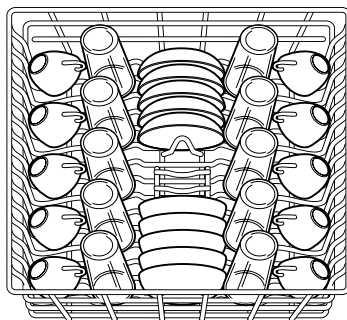
Les articles en plastique doivent être placés uniquement dans le panier supérieur. Ils peuvent fondre s'ils sont placés dans le panier inférieur.

Les verres et les tasses doivent être placés face vers le bas pour un meilleur lavage et essorage.

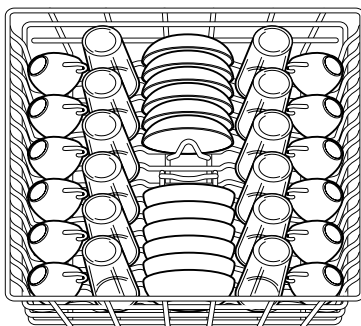
Il peut y avoir de la casse si des articles fragiles se touchent pendant le fonctionnement du lave-vaisselle.

Les couteaux et ustensiles à long manche peuvent être placés dans le panier supérieur.

Assurez-vous que rien ne passe à travers le fond du panier. Cela bloquerait la rotation du bras de lavage central.



Chargement standard pour 10 couverts
(Pour de meilleures performances de lavage, le panier supérieur doit être relevé.)



Chargement standard pour 12 couverts
(Pour de meilleures performances de lavage, le panier supérieur doit être relevé.)

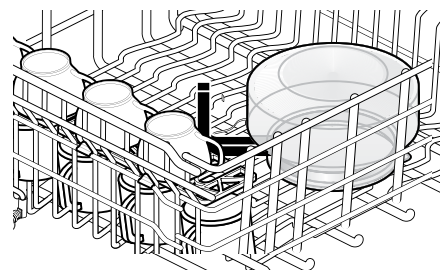
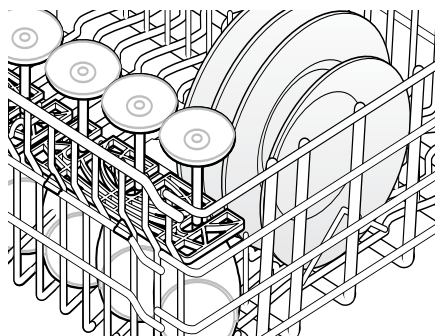
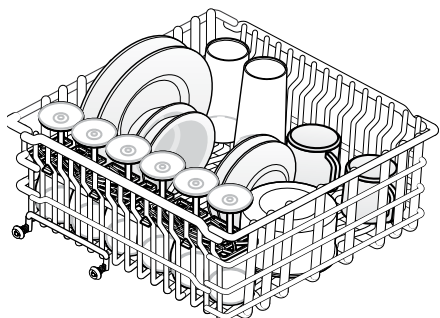
Certains modèles possèdent un panier à tasses rabattable ou un panier à tasses/support de verres à pieds. Ils peuvent servir à charger deux niveaux de tasses, de verres à jus de fruit ou d'autres articles de petite taille. Échelonnez les articles sur le niveau supérieur de manière à ce que l'eau puisse atteindre toutes les surfaces internes. Les replier pour charger des grands verres.

PRÉPARATION ET CHARGEMENT DE LA VAISSLE

Options du panier supérieur

Une option TOP RACK peut être utilisée pour laver des ustensiles de forme diverse quand votre lave-vaisselle n'est pas plein. Quand le panier supérieur est plein de verres et que le panier inférieur est encore vide, vous n'avez plus à attendre pour laver les verres.

STEMWARE HOLDER/CUPSHELF non disponible sur tous les modèles.



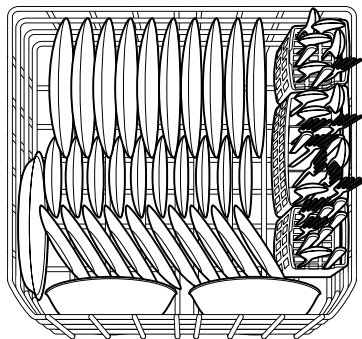
Chargement du panier inférieur

Les fonctions et l'apparence des paniers, y compris de celui des couverts, peuvent être différents de celles de votre modèle.

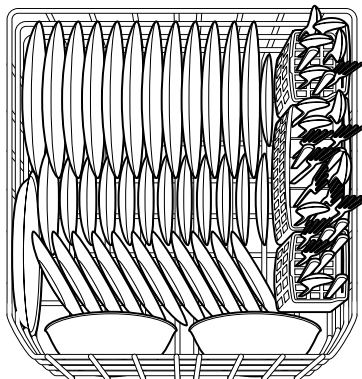
Le panier inférieur convient mieux aux assiettes, sauciers, bols et ustensiles de cuisson. Les gros ustensiles doivent être placés dans les coins pour de meilleurs résultats, mettre les bols les casseroles et les poêles face sale vers le bas ou vers le centre. Incliner légèrement pour que la vidange se fasse mieux.

Vous assurer qu'aucun grand article ne bloque la rotation du bras gicleur.

Vous assurer que les manches ne dépassent pas le fond du panier pour éviter de bloquer la rotation du bras gicleur.



Chargement standard pour 10 couverts



Chargement standard pour 12 couverts

PRÉPARATION ET CHARGEMENT DE LA VAISSLE

Chargement du panier à ustensiles



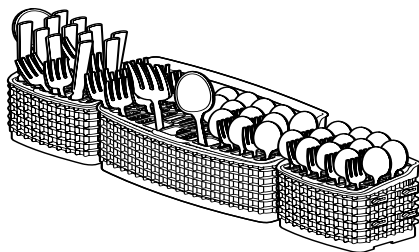
ATTENTION

Placer les articles (couteaux, brochette, etc) leur pointe vers le bas.

Sinon des blessures grave peuvent s'ensuivre

Les fonctions et l'apparence des paniers, y compris celles des couverts, peuvent être différentes de celles de votre modèle.

Mettre les ustensiles dans le panier à ustensiles quand celui-ci se trouve dans le panier inférieur ou poser le panier à ustensiles sur une table ou un plan de travail pour le remplir.



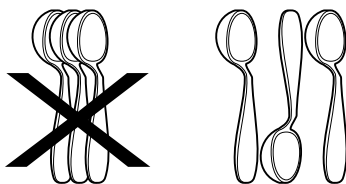
Suivre la disposition suggérée pour les articles, celle qui est illustrée, pour un meilleur lavage des couverts.

S'assurer que rien ne dépasse du dessous du panier qui pourrait bloquer le bras gicleur.

Ne pas mélanger l'argenterie avec les couverts en acier inoxydable pour éviter d'endommager l'argenterie.

Le panier à ustensiles peut être séparé en plusieurs sections qui peuvent être placées à divers endroits dans le panier inférieur. Remplir de couverts toutes les sections ou bien une seule selon le besoin.

Quand les couvercles sont relevés, mélanger les articles dans chaque section du panier, certains se dirigeant vers le haut d'autres vers le bas, pour éviter de les emboîter. Les jets d'eau ne peuvent pas atteindre certains articles emboîtés.



Ajout d'un article

Pour ajouter ou retirer les articles après avoir démarré le cycle de lavage:

- Déverrouiller la porte et attendre quelques secondes que le lavage s'arrête avant d'ouvrir.
- Ajouter l'article et attendre quelques secondes pour permettre à l'air froid de se propager lentement dans le lave-vaisselle.
- Fermer la porte fermement pour verrouiller et appuyez sur le bouton START / CANCEL pour reprendre.

DISTRIBUTEUR ET DÉTERGENTS



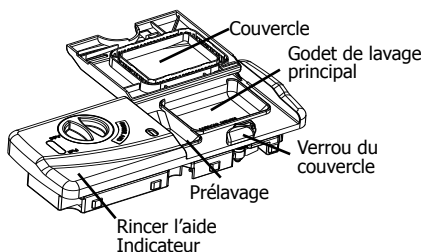
ATTENTION

L'utilisation d'un détergent industriel peut endommager le serpentin et d'autres pièces du lave-vaisselle, entraînant ainsi des dommages à l'appareil et aux biens qui l'entourent. Utilisez uniquement des détergents à lave-vaisselle ménagers.

Remplissage du distributeur de détersif

Le distributeur de détergent a deux tasses détergents. Le plus petit est d'ajouter à la pré-lavage et le plus grand est pour la libération du lavage principal.

- Utiliser uniquement un détergent neuf pour lave-vaisselle automatique. D'autres types de détergent peuvent provoquer une formation de mousse excessive.
- Si l'on utilise les tablettes de détergent pour lave-vaisselle, il suffit de placer une tablette dans le godet principal de détergent et de fermer ce godet.
- Ajouter du détergent avant de commencer le cycle.
- Ranger le détergent dans un endroit frais et sec. Un détergent qui a pris l'humidité et qui s'est solidifié ne se dissout pas complètement.



Si le couvercle est ferme sur la cuvette de lavage principale, ouvrir en appuyant sur le verrou du couvercle.

Quelle quantité de détergent utiliser

La quantité de détergent à utiliser dépend de la dureté de l'eau. La dureté de l'eau est mesurée en grains par gallon. Lorsque la quantité de détergent est insuffisante, les résultats de lavage peuvent être insatisfaisants, et l'eau dure peut laisser un film ou des taches sur la vaisselle. L'utilisation d'une trop grande quantité de détergent dans l'eau douce peut entraîner la formation d'un film permanent par suite d'attaque par le détergent. La compagnie des esu, la compagnie d'adoucisseurs de votre région ou les services publics de la municipalité peuvent vous fournir la dureté de l'eau de votre secteur.

Guide d'utilisation de détergent

Cycle	Eau douce (0-3 grains)	Eau moyennement dure (4-8 grains)	Eau dure (9-12 grains)	Eau très dure* (plus de 12 grains)
Heavy Wash or Normal Wash	2 cuillerées à thé (chaque godet-rempli au 1/4)	5 cuillerées à thé (chaque godet-rempli jusqu'au repère au-dessus de "Regular")	8 cuillerées à thé (chaque godet-entièrement rempli)	Chaque godet-entièrement rempli (adoucisseur d'eau recommandé)
Top Rack	2 cuillerées à thé (godet de lavage principal-rempli au 1/4)	5 cuillerées à thé (godet de lavage principal-rempli jusqu'au repère au-dessus de "Regular")	8 cuillerées à thé (godet de lavage principal-entièrement rempli)	Chaque godet-entièrement rempli (adoucisseur d'eau recommandé)
Rinse Only	Pas de détergent	Pas de détergent	Pas de détergent	Pas de détergent (adoucisseur d'eau recommandé)

En règle générale, utiliser une cuillère à thé pour chaque grain au-dessus de 12 mais dans le cas d'eau très dure, le détergent seul peut ne pas être suffisant. Il est recommandé d'ajouter un adoucisseur d'eau pour améliorer la qualité de l'eau et les performances de lavage.

FACTEURS QUI AFFECTE LE RENDMENT

Produits de rinçage

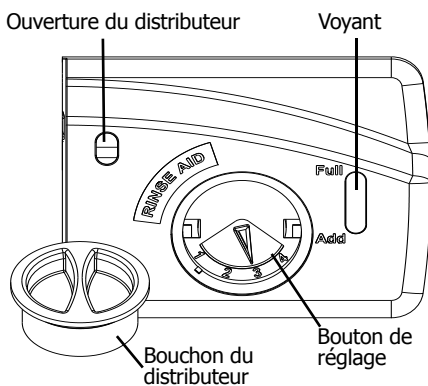
Les produits de rinçage améliorent le séchage et réduisent les taches et les films d'eau. L'eau glisse sur la vaisselle et ne forme pas de gouttelettes qui s'accrochent et qui laissent des taches sur les ustensiles.

Un distributeur situé à côté du réservoir à détergent, verse automatiquement la quantité requise de produit de rinçage durant le rinçage final. En cas de problème de tache ou de séchage, augmenter la quantité de produit de rinçage en tournant le bouton vers un chiffre plus élevé. Le bouton est situé sous le bouchon du distributeur. Le voyant est sombre quand le distributeur est plein et s'éclaircit quand il est presque vide. Sur les modèles dotés d'une fenêtre STATUS (état), LO (bas) apparaît en fin de cycle indiquant qu'il est temps de procéder au remplissage.

Pour ajouter du liquide de rinçage, faire tourner le bouchon du distributeur d'un quart de tour dans le sens inverse des aiguilles d'une montre et tirer. Verser le produit de rinçage jusqu'à ce que le liquide atteigne le niveau de remplissage indiqué. Remettre le bouchon.

Ne pas dépasser le niveau de remplissage car cela provoquerait un trop-plein de mousse. En cas de débordement de liquide, essuyer avec un chiffon mouillé.

Le distributeur contient une quantité suffisante de liquide pour effectuer 35 à 140 lavages selon les options choisies.



Pression de l'eau

La canalisation d'alimentation d'eau chaude au lave-vaisselle doit fournir une pression d'eau entre 20 et 120 psi.

La pression d'eau peut être basse lorsqu'une machine à laver ou les douches fonctionnent. Attendez une réduction de l'utilisation d'eau avant de démarrer le lave-vaisselle.

Température de l'eau

L'eau chaude est nécessaire pour de meilleurs résultats de lavage et de séchage. Pour donner des résultats satisfaisants, l'eau arrivant dans le lave-vaisselle doit avoir une température d'au moins 120°F (49°C).

Pour vérifier la température de l'eau arrivant dans le lave-vaisselle:

- Tournez le robinet d'eau chaude le plus proche du lave-vaisselle pendant quelques minutes pour dégager l'eau fraîche des tuyaux.
- Tenez un thermomètre de bonbons ou à viande sous l'eau pour vérifier la température.
- Si la température est inférieure à 120°F (49°C), faire augmenter le réglage du thermostat du chauffe-eau par une personne qualifiée.



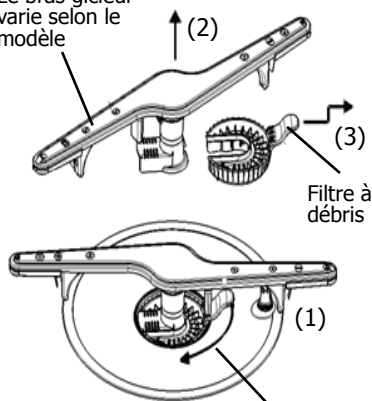
IMPORTANT

Avant de démarrer un cycle de lavage, faites couler l'eau chaude pour dégager l'eau fraîche du tuyau d'arrivée d'eau.

L'option de séchage à chaud HEAT DRY, combinée à un agent de rinçage, améliorera les performances de séchage de votre lave-vaisselle. La consommation d'énergie nécessaire à l'utilisation de l'option de séchage à chaud HEAT DRY coûte moins de quelques cents par cycle. Vous pouvez choisir de ne pas utiliser l'option de séchage à chaud HEAT DRY. Cependant, certains articles de votre vaisselle ne seront pas tout à fait secs à la fin du cycle.

ENTRETIEN ET NETTOYAGE

Le bras gicleur varie selon le modèle



Enlever le filtre à débris

Pour vider le filtre à débris :

1. Saisissez la poignée du filtre à débris et tournez-la 90° dans le sens horaire tout en appuyant sur le centre du bras de lavage.
2. Saisissez le bras gicleur dans le centre et soulevez l'ensemble bras gicleur et filtre à débris vers le haut et l'extérieur du lave-vaisselle.
3. Inclinez l'ensemble au dessus d'un contenant approprié et tapez-le pour vider le filtre à débris.

OU, séparez le filtre à débris - tirez la poignée du filtre à débris vers vous, puis vers le haut, puis encore plus vers vous pour le glisser hors du reste de l'ensemble; videz-le dans un contenant approprié; puis glissez le filtre à débris dans l'ensemble.

4. Remettez l'ensemble en place, appuyez sur le bras au centre et tournez la poignée du filtre à débris 90° dans le sens antihoraire en vous assurant que le filtre à débris soit selon l'orientation illustrée dans l'image ci-dessus. **Pour éviter des dommages à votre unité assurez-vous que le bras gicleur et le filtre à débris soient bien fermés en place.**



ATTENTION

Risque de dommage matériel

Des températures de gel peuvent provoquer des fuites de conduites d'eau. Assurez-vous que toutes les conduites d'eau au lave-vaisselle et ses canalisations intérieures sont protégées. Dans le cas contraire, il pourrait résulter des dommages matériels.



AVERTISSEMENT



Risques de brûlure

Laissez refroidir l'élément chauffant avant de nettoyer l'intérieur

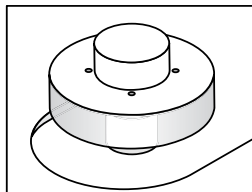
Dans le cas contraire il pourrait en résulter des brûlures.

Porte extérieure - Nettoyez la porte extérieure avec de l'eau chaude savonneuse et un torchon ou une éponge. Rincez avec de l'eau propre et un linge sec. N'utilisez pas de nettoyeurs rugueux.

Intérieur - L'intérieur du lave-vaisselle incluant le filtre est auto-nettoyant avec usage normal. Si besoin, nettoyez autour de la zone du joint de la cuve avec un linge humide. Le filtre est auto-nettoyant. Un filtre à débris situé dans le centre du filtre est conçu pour amasser les morceaux de verre brisé, de pailles, d'os et de noyaux.

Trop-plein - empêche le lave-vaisselle de trop se remplir. Il est situé dans le coin avant gauche de la cuve.

- Nettoyez occasionnellement avec un nettoyeur domestique contenant du vinaigre ou un javelisant our dissoudre toute accumulation. ou un javelisant our dissoudre toute accumulation.
- Le trop-plein doit pouvoir se soulever facilement d'un pouce. S'il ne fonctionne pas facilement, soulevez-le et nettoyez le dessous.



REMARQUE

L'eau dure peut causer le dépôt de ligne accumulation à l'intérieur du lave-vaisselle. Pour les instructions de nettoyage voir "Removing Spots and Film" section.



REMARQUE

Voir instructions d'installation pour de plus amples informations

Entretien du tuyau de ventilation de vidange

Si un tuyau de ventilation de vidange est installé pour votre lave-vaisselle encastré, assurez-vous qu'il est propre de manière à ce que le lave-vaisselle puisse vidanger correctement. Un tuyau de ventilation de vidange est monté habituellement sur le dessus de comptoir et peut être inspecté en enlevant le bouchon. Ceci ne fait pas partie de votre lave-vaisselle et n'est pas couvert par la garantie.

Protection hivernale

Un lave-vaisselle laissé à un endroit non chauffé doit être protégé du gel. Demandez à une personne qualifiée de faire ce qui suit:

De débrancher les services d'alimentation:

1. Fermez le courant électrique au lave-vaisselle à la source d'alimentation en retirant les fusibles ou fermant le disjoncteur de circuit.
2. Fermez l'alimentation d'eau.
3. Placez un récipient sous le robinet d'arrivée d'eau. Débranchez la canalisation d'eau du robinet d'arrivée d'eau et vidangez dans le récipient.
4. Déconnectez le tuyau de vidange de la pompe et vidangez l'eau dans le récipient.

Pour rétablir le service:

5. Rebranchez l'eau, le tuyau de vidange et le courant électrique.
6. Ouvrez l'eau et le courant électrique.
7. Remplir les deux distributeurs de détergent et faire fonctionner le lave-vaisselle en cycle HEAVY WASH.
8. Vérifiez les connexions pour assurer qu'elles sont dénuées de fuite.

Solutions aux Problèmes Usuels :

Avant de faire appel à un technicien, consultez la liste qui suit. Cela peut vous épargner du temps et de l'argent. Cette liste porte sur des problèmes d'utilisation courante qui ne sont causés ni par un défaut de fabrication ni par un matériel défectueux de votre lave-vaisselle.



REMARQUE

Pour maximiser la performance de votre lave-vaisselle, visitez www.dishwashingexpert.com pour des conseils généraux en ce qui a trait à la performance et le fonctionnement de votre lave-vaisselle.

Salissures d'aliments encore sur la vaisselle

- Choisissez un autre cycle avec temps de lavage plus long.
- Assurez-vous que le chargement du panier est adéquat-évitée l'empilage d'articles.
- La pression d'eau du domicile peut être trop basse-devrait être 20 à 120 livres par pouce carré (psi).
- Vérifiez la température d'eau entrante. Elle devrait être à environ 120°F (49°F). (Voir Facteurs affectant la performance).
- Vérifiez la dureté de l'eau. Pour l'eau extrêmement dure, il peut être nécessaire d'installer un adoucisseur d'eau. (Voir Tableau des détergents).
- Utilisez du détergent frais.
- Assurez-vous que les articles ne bloquent pas les bras gicleurs, les empêchant de tourner.
- Ne chargez pas trop le lave-vaisselle (Voir Préparer et charger la vaisselle).
- Assurez-vous que le filtre à débris est entretenu et installé correctement (Voir Entretien et nettoyage).

Vaisselle pas sèche

- En sélectionnant la Heat Dry, Hi-Temp Wash ou Sanitize les options Cela permettra d'améliorer le séchage.
- Assurez-vous que le distributeur de produit de rinçage est rempli.
- Augmentez la décharge de produit de rinçage. (Voir Produit de rinçage).
- Vérifiez la température d'eau entrante. Assurez-vous qu'elle est à au moins 120°F (49°F).
- Assurez-vous que le chargement est adéquat-évitée l'empilage d'articles.
- Les tasses avec un fond concave accumuleront de l'eau. Chargez-les complètement à gauche et à droite du panier supérieur de sorte qu'elles seront retenues en position inclinée.
- Les contenants, bols, chaudrons/poêles, et toute vaisselle avec des surfaces concaves qui peuvent amasser l'eau devraient être placés dans le panier face ou à angle vers le bas de sorte que l'eau puisse être drainée même du point le plus bas.
- Les articles en plastique peuvent devoir être essuyés avec un linge.

Eau dans le fond de la cuve

- De l'eau qui reste dans le fond de la cuve une fois le cycle complété n'est pas normal. Si de l'eau reste dans le fond de la cuve, le lave-vaisselle peut ne pas drainer correctement. (Voir Lave-vaisselle ne draine pas correctement).

SOLUTIONS AUX PROBLÈMES USUELS

Verrerie/Coutellerie tachetée ou trouble

- Vérifiez la dureté de l'eau. Pour l'eau extrêmement dure, il peut être nécessaire d'installer un adoucisseur d'eau. (Voir Tableau des détergents).
- La température de l'eau est possiblement basse. Évitez les températures d'eau extrêmement basses ou hautes. (Voir Facteurs affectant la performance).
- Évitez le surchargement et le mauvais chargement. (Voir Préparer et charger la vaisselle).
- Utilisez du détergent frais. Le vieux détergent est inefficace.
- Assurez-vous que le distributeur de produit de rinçage est rempli.
- Assurez-vous que la bonne quantité de détergent est utilisée pour le cycle sélectionné. (Voir Distributeur de détergent).
- La pression d'eau du domicile peut être trop basse-elle devrait être 20 à 120 livres par pouce carré (psi).

Vaisselle ébréchée

- Chargez avec soin et ne surchargez pas. (Voir Préparer et charger la vaisselle).
- Placez les articles délicats dans le panier supérieur.
- Placez sécuritairement les verres contre les broches et non par-dessus les broches.
- Chargez les articles de façon sécuritaire et afin qu'ils ne bougent pas en ouvrant et en fermant les paniers. Ouvrez et fermez les paniers lentement.
- Assurez-vous que les grands verres et les verres à pied ne touchent pas au haut de la cuve lorsque le panier est fermé.
- La porcelaine fine antique et le cristal devraient être lavés à la main.

Débordement

- Du produit de rinçage renversé peut produire de la mousse et mener à un débordement. Essayez tous renversements avec un linge humide.

Aucun voyant allumé

- Il est prévu que les voyants de la console s'éteignent lorsque la porte est fermée. Pour savoir comment changer cela, voir Voyants indicateurs d'état dans la section Instructions de fonctionnement.

Gravures

- Utiliser trop de détergent spécialement dans de l'eau douce ou adoucie cause des dommages qui ressemblent à un film mais qui ne peuvent pas être enlevés.
- Ajustez la quantité de détergent selon la dureté de l'eau. (Vérifier Tableau des détergents).
- Abaissez la température de l'eau en sélectionnant une des options de température plus basse.

Vaisselle tachée ou décolorée

- Le thé et le café peuvent tacher les tasses. Enlevez les taches en lavant à la main dans une solution de 1/2 tasse (120 ml) d'eau de Javel et un litre (1 L) d'eau chaude. Rincez complètement.
- Les dépôts de fer dans l'eau peuvent causer un film jaune ou brun. Un filtre spécial installé dans la conduite d'alimentation d'eau corrigera ce problème. (Voir Enlever les taches et le film).
- Les ustensiles en aluminium peuvent laisser des marques grises/noires lorsqu'ils se frottent contre d'autres articles. Chargez correctement.
- Certains aliments avec une acidité élevée peuvent causer une décoloration de l'acier inoxydable et des plastiques si laissés pour une longue période. Utilisez le cycle Rinse Only ou rincez à la main si le lave-vaisselle n'est pas rapidement utilisé.
- Mélanger des ustensiles en acier inoxydable et en argent dans le panier d'ustensiles peut causer des piqûres des lames en acier inoxydable. Évitez de mélanger l'acier inoxydable et l'argent.

Le cycle prend beaucoup de temps

- Le cycle peut avoir été allongé automatiquement pour atteindre des températures clés à cause de certains facteurs tels l'alimentation d'eau fraîche ou de grosses charges de vaisselle.
- L'option Delay Start peut avoir été sélectionnée.
- Choisissez des options de température plus basse pour raccourcir le cycle.
- Les cycles qui détectent la salissure s'ajustent automatiquement pour assurer un bon lavage - plus il y a de salissure plus long sera le cycle.

Bruits normaux que vous entendrez

- Les bruits normaux incluent le remplissage d'eau, la pulvérisation de l'eau, le drainage et les bruits de moteur.
- Il y a un changement remarquable dans le bruit lorsque l'action de lavage passe entre le bras gicleur inférieur et celui du milieu. Cela est normal puisque chaque bras gicleur a son propre bruit.
- Il est normal que le lave-vaisselle arrête (aucun bruit) lorsque l'action de lavage passe entre les bras gicleurs inférieur et du milieu.

Le lave-vaisselle ne se remplit pas

- Assurez-vous que l'alimentation d'eau est en marche.
- Assurez-vous que le protecteur de trop plein se déplace librement vers le haut et vers le bas. (Voir la section Protecteur de trop plein).

Détergent laissé dans les contenants

- Le détergent est peut-être vieux. Jetez et utilisez du détergent frais.
- Assurez-vous que la charge de vaisselle n'empêche pas l'eau du gicleur d'entrer dans le contenant de détergent.
- Assurez-vous que le cycle est complété.
- Assurez-vous que les articles ne bloquent pas le distributeur de détergent et l'empêchent d'ouvrir.

Fuites du lave-vaisselle

- Assurez-vous que le joint de la porte soit pressé dans son sillon de montage, se rende au fond de la cuve et ne s'étend pas au delà de la nervure d'extrémité de sorte à interférer avec la fermeture de la porte.
- Du produit de rinçage renversé peut produire de la mousse et mener à un débordement. Essuyez tous renversements avec un linge humide.
- Assurez-vous que le lave-vaisselle est de niveau. (Voir Instructions d'installation).
- Évitez l'excès de mousse en utilisant la bonne quantité de détergent désigné pour les lave-vaisselle automatiques.
- Assurez-vous que le lave-vaisselle est de niveau. (Voir Instructions d'installation).

Le lave-vaisselle ne fonctionne pas

- Assurez-vous que le disjoncteur n'est pas déclenché ou qu'un fusible n'a pas sauté.
- Assurez-vous que l'alimentation d'eau est en marche.
- Assurez-vous que le cycle est réglé correctement. (Voir Instructions de fonctionnement).
- Le lave-vaisselle est-il réglé avec l'option Delay Start.
- Assurez-vous que la porte est fermée et verrouillée.
- Assurez-vous que START/CANCEL est enfoncée après le cycle a été sélectionné.

Le lave-vaisselle dégage une odeur

- La vaisselle sale laissée dans le lave-vaisselle trop longtemps peut créer une odeur. Utilisez le cycle Rinse Only (Rinçage seulement).
- Une odeur de « neuf » se dégagera suite à l'installation. Ceci est normal.
- Assurez-vous que l'unité draine correctement. (Voir Le lave-vaisselle ne draine pas correctement).

Taches sur l'intérieur de la cuve

- Laver de grandes quantités de vaisselle avec des salissures à base de tomates peut causer une apparence rose/orange. Cela n'affectera pas la performance et pâliira graduellement avec le temps. Pré rincer ou utiliser le cycle Rinse Only réduira les chances de maculage. Utiliser l'option de séchage sans chaleur atténuera le maculage.

Le lave-vaisselle ne draine pas correctement

- Si l'unité est branchée à un broyeur à déchets, assurez-vous que le broyeur est vide.
- Assurez-vous que le bouchon défonçable a été enlevé de l'intérieur de l'entrée du broyeur à déchets.
- Assurez-vous que le boyau de drainage n'est pas coudé.
- Assurez-vous que le cycle est complété, et non en pause.
- Assurez-vous que le filtre à débris est entretenu et installé correctement pour éviter les blocages (Voir Entretien et nettoyage).

Ouverture de la porte pendant le cycle

- Si la porte du lave-vaisselle est ouverte alors que l'unité est en marche, l'START / CANCEL doit être pressé et la porte fermée immédiatement pour retourner l'appareil pour le cycle choisi et l'option, cela doit se faire dans les 10 minutes à l'appareil pour continuer le cycle.

Enlever les taches et le film

L'eau dure peut causer une accumulation de dépôt de chaux sur l'intérieur du lave-vaisselle. La vaisselle et les verres peuvent aussi avoir des taches et un film pour un nombre de raisons. (Voir la section Verrerie/Coutellerie tachetée ou trouble). Pour enlever l'accumulation, et le film, nettoyez en utilisant les instructions suivantes :

1. Chargez de la vaisselle et des verres propres de façon normale. Ne chargez aucun ustensile en métal ou argenterie.
2. N'ajoutez pas de détergent.
3. Sélectionnez le cycle NORMAL WASH. Fermez la porte. Appuyez sur la touche START/CANCEL.
4. Laissez le lave-vaisselle fonctionner jusqu'à ce qu'il débute le second remplissage d'eau (environ 8 minutes).
5. Ouvrez la porte, versez 2 tasses de vinaigre blanc dans le fond du lave-vaisselle.
6. Fermez la porte et laissez le cycle terminer.

Your appliance is covered by a one year limited warranty. For one year from your original date of purchase, Crosley will pay all costs for repairing or replacing any parts of this appliance that prove to be defective in materials or workmanship when such appliance is installed, used and maintained in accordance with the provided instructions.

Exclusions

This warranty does not cover the following:

1. Products with original serial numbers that have been removed, altered or cannot be readily determined.
2. Product that has been transferred from its original owner to another party or removed outside the USA or Canada.
3. Rust on the interior or exterior of the unit.
4. Products purchased "as-is" are not covered by this warranty.
5. Food loss due to any refrigerator or freezer failures.
6. Products used in a commercial setting.
7. Service calls which do not involve malfunction or defects in materials or workmanship, or for appliances not in ordinary household use or used other than in accordance with the provided instructions.
8. Service calls to correct the installation of your appliance or to instruct you how to use your appliance.
9. Expenses for making the appliance accessible for servicing, such as removal of trim, cupboards, shelves, etc., which are not a part of the appliance when it is shipped from the factory.
10. Service calls to repair or replace appliance light bulbs, air filters, water filters, other consumables, or knobs, handles, or other cosmetic parts.
11. Surcharges including, but not limited to, any after hour, weekend, or holiday service calls, tolls, ferry trip charges, or mileage expense for service calls to remote areas, including the state of Alaska.
12. Damages to the finish of appliance or home incurred during installation, including but not limited to floors, cabinets, walls, etc.
13. Damages caused by: services performed by unauthorized service companies; use of parts other than genuine Crosley parts or parts obtained from persons other than authorized service companies; or external causes such as abuse, misuse, inadequate power supply, accidents, fires, or acts of God.

DISCLAIMER OF IMPLIED WARRANTIES; LIMITATION OF REMEDIES

CUSTOMER'S SOLE AND EXCLUSIVE REMEDY UNDER THIS LIMITED WARRANTY SHALL BE PRODUCT REPAIR OR REPLACEMENT AS PROVIDED HEREIN. CLAIMS BASED ON IMPLIED WARRANTIES, INCLUDING WARRANTIES OF MERCHANTABILITY OR FITNESS FOR A PARTICULAR PURPOSE, ARE LIMITED TO ONE YEAR OR THE SHORTEST PERIOD ALLOWED BY LAW, BUT NOT LESS THAN ONE YEAR. ELECTROLUX SHALL NOT BE LIABLE FOR CONSEQUENTIAL OR INCIDENTAL DAMAGES SUCH AS PROPERTY DAMAGE AND INCIDENTAL EXPENSES RESULTING FROM ANY BREACH OF THIS WRITTEN LIMITED WARRANTY OR ANY IMPLIED WARRANTY. SOME STATES AND PROVINCES DO NOT ALLOW THE EXCLUSION OR LIMITATION OF INCIDENTAL OR CONSEQUENTIAL DAMAGES, OR LIMITATIONS ON THE DURATION OF IMPLIED WARRANTIES, SO THESE LIMITATIONS OR EXCLUSIONS MAY NOT APPLY TO YOU. THIS WRITTEN WARRANTY GIVES YOU SPECIFIC LEGAL RIGHTS. YOU MAY ALSO HAVE OTHER RIGHTS THAT VARY FROM STATE TO STATE.

If You Need Service

Keep your receipt, delivery slip, or some other appropriate payment record to establish the warranty period should service be required. If service is performed, it is in your best interest to obtain and keep all receipts. Service under this warranty must be obtained by contacting Crosley at the addresses or phone numbers below.

This warranty only applies in the USA and Canada. In the USA, your appliance is warranted by Crosley Corporation. In Canada, your appliance is warranted by Crosley Canada Corp. Crosley Corporation authorizes no person to change or add to any obligations under this warranty. Obligations for service and parts under this warranty must be performed by Crosley Corporation or an authorized service company. Product features or specifications as described or illustrated are subject to change without notice.

FOR WARRANTY INFORMATION CONTACT:

USA 1.800.944.9044
Canada 1.866.213-9397

CROSLLEY®
www.Crosley.com

FOR PRODUCT INFORMATION CONTACT:

336.761.1212
Crosley Corporation
111 Cloverleaf Drive, Suite 200
Winston-Salem, NC 27103