
OWNER'S GUIDE

READ AND SAVE THESE INSTRUCTIONS

Record the Model No. and Serial No. of this freezer in the space provided below.

Model No. _____

Serial No. _____

Keep these numbers for future reference.

IMPORTANT: Keep a copy of your bill of sale. The date on the bill establishes the warranty period should service be required. If service is performed, it is in your best interest to obtain and keep all receipts.

Contents

2	Important Safety Instructions
3	First Steps
4	Setting the Temperature Control
4-5	Freezer Optional Features
5-6	Care and Cleaning
7	Power Failure/Freezer Failure
7	Energy Saving Ideas
8-9	Avoid Service Checklist
10	Warranty in the United States
11	Service Information in Canada
12	Warranty in Canada

This Owner's Guide provides specific operating instructions for your model. Use the freezer only as instructed in this Owner's Guide.

Versión en español

Si desea obtener una copia en español de este Manual del Usuario, sírvase escribir la dirección que se incluye a continuación. Solicite la P/N 216760500.

Spanish Owner's Guides
Electrolux Home Products
P. O. Box 212378
Augusta, GA 30917

FREEZER

Important Safety Instructions

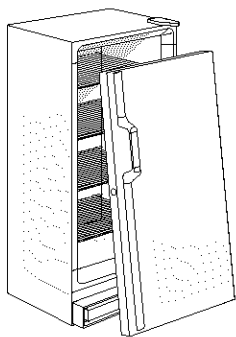
Proper Disposal of Your Refrigerator/Freezer

⚠ WARNING Risk of child entrapment. Child entrapment and suffocation are not problems of the past. Junked or abandoned refrigerators or freezer are still dangerous — even if they will sit for “just a few days.” If you are getting rid of your old refrigerator or freezer, please follow the instructions below to help prevent accidents.

BEFORE YOU THROW AWAY YOUR OLD REFRIGERATOR/FREEZER:

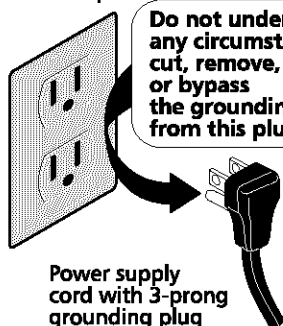
*Remove doors.

*Leave shelves in place so children may not easily climb inside.



⚠ WARNING Avoid fire hazard or electric shock. Do not use an extension cord or an adapter plug. Do not remove any prong from the power cord.

Grounding type wall receptacle



Do not under any circumstances cut, remove, or bypass the grounding prong from this plug.

Power supply cord with 3-prong grounding plug

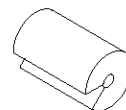
Read all instructions before using this freezer.

⚠ WARNING For Your Safety

Do not store or use gasoline or other flammable vapors and liquids in the vicinity of this or any other appliance. Read product labels for flammability and other warnings.

⚠ WARNING Child Safety

- Destroy carton, plastic bags, and any exterior wrapping material immediately after the freezer is unpacked. Children should never use these items for play. Cartons covered with rugs, bedspreads, plastic sheets or stretch wrap may become airtight chambers and can quickly cause suffocation.
- **A child might suffocate if he crawls into a freezer to hide or play.** See Proper Freezer Disposal left. Many communities have laws requiring you to take this safety precaution.
- Remove and discard any spacers used to secure the shelves during shipping. Small objects are a choke hazard to children.



⚠ WARNING Electrical Information

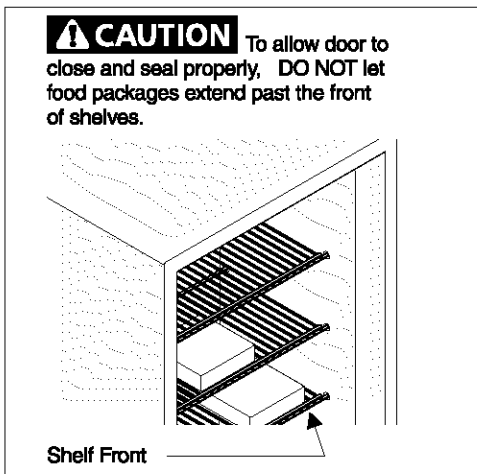
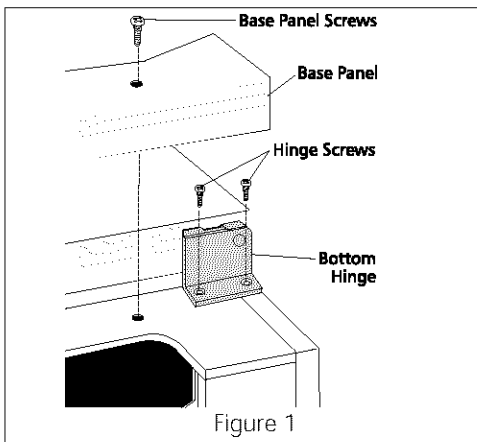
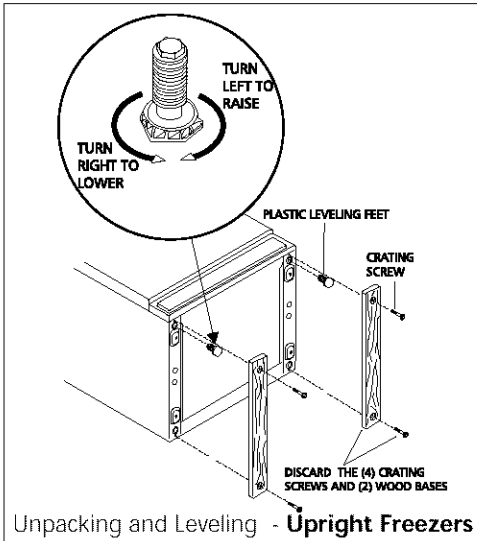
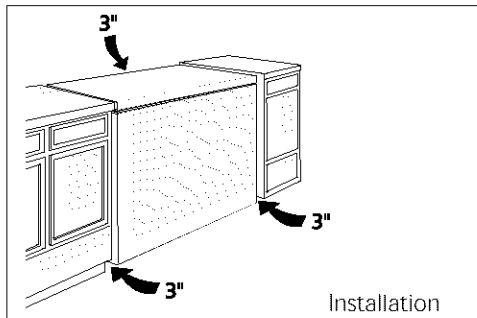
These guidelines must be followed to ensure that safety mechanisms in the design of this freezer will operate properly.

- **Refer to the serial plate for correct electrical rating.** The power cord of the appliance is equipped with a three-prong grounding plug for protection against shock hazards. It must be plugged directly into its own properly grounded three-prong receptacle, protected with a 15 amp time delay fuse or circuit breaker. The receptacle must be installed in accordance with the local codes and ordinances. Consult a qualified electrician. Receptacles with Ground Fault Circuit Interrupters (GFCI) are NOT RECOMMENDED. **DO NOT use an extension cord or an adapter plug.**
- If voltage varies by 10 percent or more, freezer performance may be affected. Operating the freezer with insufficient power can damage the motor. Such damage is not covered under the warranty. If you suspect your household voltage is high or low, consult your power company for testing.
- To prevent the freezer from being turned off accidentally, do not plug the unit into an outlet controlled by a wall switch or pull cord.
- Do not pinch, knot, or bend the power cord in any manner.

⚠ WARNING Other Precautions

- Never unplug the freezer by pulling on the power cord. Always grip the plug firmly and pull straight out from the receptacle.
- Turning the control to OFF turns off the compressor, but does not disconnect power to other electrical components.

First Steps



Before starting the freezer, follow these important first steps:

Installation

- Choose a place that is near a grounded electrical outlet.
- For the most efficient operation, the freezer should be located where surrounding temperatures will not exceed 110°F (43°C). Temperatures of 32°F (0°C) and below will NOT affect freezer operation. Additional compressor heaters are not recommended.
- Allow space around the unit for good air circulation. Leave a 3 inch (75 mm) space on all sides of the freezer for adequate circulation.

Leveling

The freezer must have all bottom corners resting firmly on a solid floor. The floor must be strong enough to support a fully loaded freezer. Check the cabinet with a level from side to side. After discarding the crating screws and wood base, level the cabinet.

To Level Upright Unit:

Once leveled, slightly raise adjustment of front feet so the door closes easily when opened about halfway.

To Level Chest Unit:

If needed, add metal or wood shims between feet pads and floor.

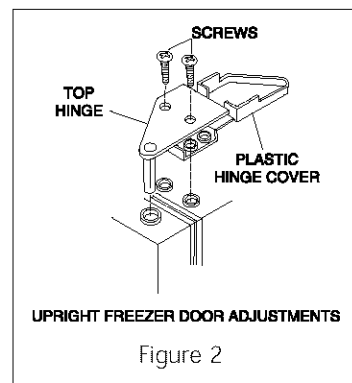
Cleaning

- Wash any removable parts, the freezer interior, and exterior with mild detergent and warm water. Wipe dry. **DO NOT USE HARSH CLEANERS ON THESE SURFACES.**
- Do not use razor blades or other sharp instruments, which can scratch the appliance surface when removing adhesive labels. Any glue left from the tape can be removed with a mixture of warm water and mild detergent, or touch the residue with the sticky side of tape already removed. **DO NOT REMOVE THE SERIAL PLATE.**

Door Removal (upright models)

If door must be removed to fit through narrow doorways:

1. Gently lay freezer on its back, on a throw rug or blanket.
2. Remove base panel (some models) by unscrewing two screws from front of base panel. (Figure 1)
3. At top of cabinet, lift up plastic hinge cover and fold back. (Figure 2)
4. Use a Phillips® screwdriver to loosen and retighten screws on top hinge to insure a secure assembly and prevent hinge slippage.
5. Remove top hinge from cabinet. Lift door off lower hinge pin.
6. After door is removed, remove the two screws from bottom hinge.
7. To replace door, reverse above order.



Setting the Temperature Control

Cool Down Period

For safe food storage, allow 4 hours for the freezer to cool down completely. The freezer will run continuously for the first several hours. Foods that are already frozen may be placed in the freezer after the first few hours of operation. Unfrozen foods should NOT be loaded into the freezer until the freezer has operated for 4 hours.

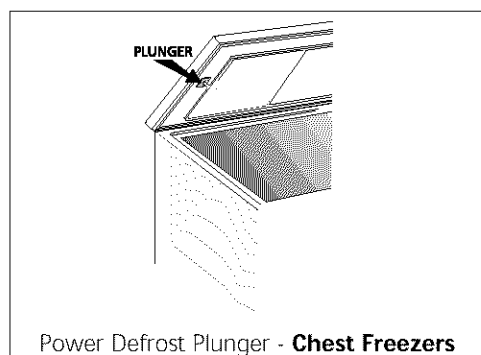
When loading the freezer, freeze only 3 pounds of fresh food per cubic foot of freezer space at one time. Distribute packages to be frozen evenly throughout the freezer. It is not necessary to turn the control knob to a colder setting while freezing food.

Temperature Control

The temperature control is located inside the freezer on upright models, and on the left outside wall on chest models. The temperature is factory preset to provide satisfactory food storage temperatures. However, the temperature control is adjustable to provide a range of temperatures for your personal satisfaction. If a colder temperature is desired, turn the temperature control knob to coldest and allow several hours for temperatures to stabilize between adjustments.

Freezer Optional Features

NOTE: Your freezer may have some, or all of the features listed below. Become familiar with these features, and their use and care.



Power On Light

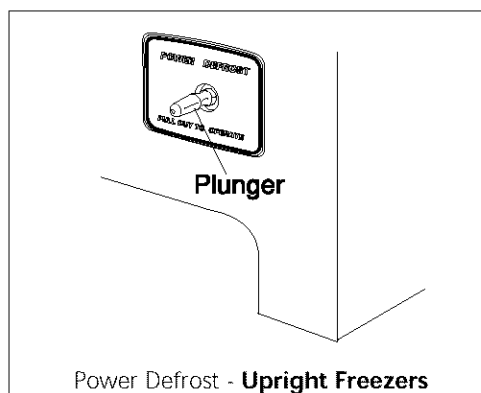
The Power On Light indicates that the freezer is properly connected to electrical power. The light glows even when the temperature control is turned to OFF. If the light goes out, refer to "Freezer does not run" in the Avoid Service Checklist.

Juice Can Rack (upright models)

The Juice Can Rack on the freezer door is specially ridged to store juice cans and prevent them from rolling out of the shelf.

Security Lock with Pop-Out Key

This security lock fastens the door snugly, ensuring stored food is secure. To lock or unlock the freezer, push the key into the lock and turn. The key pops out of the lock after it has been turned.



Power Defrost

The Power Defrost feature will defrost freezer in a fraction of the time usually required. To defrost, **remove all food**, and follow these steps.

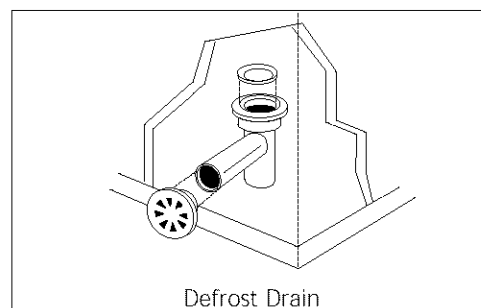
1. Pull out Power Defrost Plunger. Leave door open while defrosting. (Closing freezer door will push in plunger and power defrost will be turned off.)
2. Push Power Defrost Plunger in to restart freezer after defrosting is completed.

Defrost Drain

The Defrost drain provides a method of draining water during defrosting and cleaning. See "Defrosting" in Care and Cleaning Section.

Interior Light

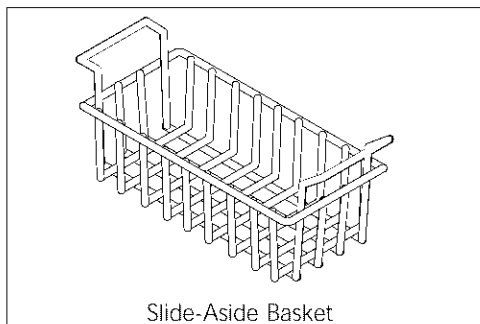
The light comes on automatically when the door is opened. To replace the light bulb, turn the temperature control to OFF and unplug the electrical cord. Replace the old bulb with a bulb of the same wattage.



Slide-Out Basket (upright models)

The slide-out basket at the bottom of the freezer provides separate storage space for items that are difficult to store on freezer shelves. To remove the basket, pull out and lift up.

Freezer Optional Features (continued)



Slide-Aside Basket (chest models)

This basket helps organize odd-shaped items. To reach other packages in the freezer, slide the basket aside or lift out.

Fast Freezing Shelves (upright models)

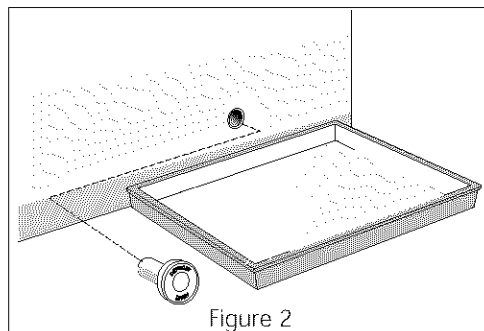
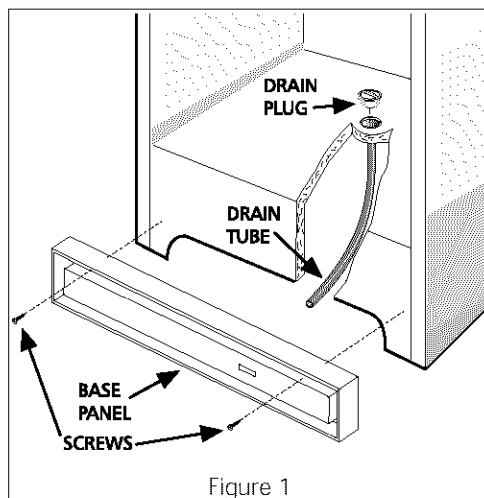
These shelves contain cooling coils to freeze foods quickly and allow cold air to constantly circulate throughout the freezer. Do not use sharp metal objects such as ice picks or scrapers to clean the shelves. This could damage the shelves and reduce their cooling ability. These shelves are not adjustable.

Drop Front Shelf (upright models)

The Drop Front Shelf, located at the bottom of the freezer, provides a separate compartment for small irregular shaped items or large, bulky items. Lift the shelf front up and out to remove.

Care and Cleaning

CAUTION Damp objects stick to cold metal surfaces. Do not touch interior metal surfaces with wet or damp hands.



Some upright freezers are frost-free and defrost automatically, but should be cleaned occasionally. Before cleaning or defrosting, unplug the power cord from the electrical outlet.

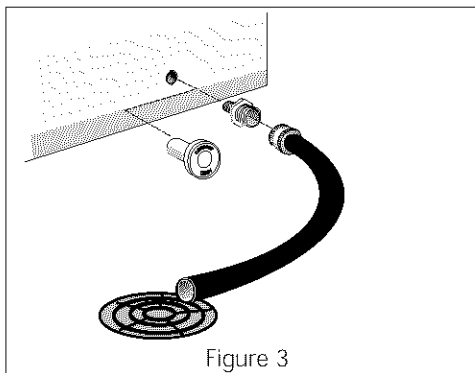
Between Defrostings

To avoid frequent defrosting, occasionally use a plastic scraper to remove frost. Scrape with a pulling motion. Never use a metal instrument to remove frost.

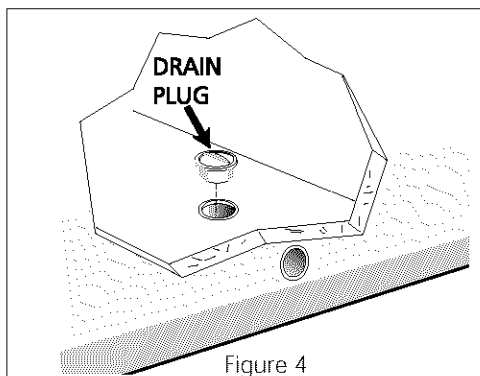
Defrosting

It is important to defrost and clean the freezer when 1/4 to 1/2 inch of frost has accumulated. Frost may tend to accumulate faster on the upper part of the freezer due to warm, moist air entering the freezer when the door is opened. Remove food and leave the door open when defrosting the freezer.

- **On upright models** with a defrost drain (Figure 1), remove the drain plug on the inside floor of the freezer by pulling straight out. To access the external drain tube on models with a base panel, first remove the two screws from the base panel. Locate the drain tube near the left center under the freezer. Place a shallow pan under the drain tube. Defrost water will drain out. Check pan occasionally so water does not overflow. Replace the drain plug when defrosting and cleaning are completed. If the drain is left open, warm air may enter the freezer.
- **On chest models** with a defrost drain, place a shallow pan beneath the drain outlet (Figure 2). A one half inch garden hose adapter can be used to drain the freezer directly into a floor drain (Figure 3). If your model is not equipped with an adapter, one can be purchased at most hardware stores. Pull out the drain plug inside the freezer, and pull off the outside defrost drain plug (Figure 4 on following page). Defrost water will drain out. Check pan occasionally so water does not overflow. Replace the drain plugs when defrosting is completed.



Care and Cleaning (continued)



⚠ WARNING If leaving the freezer door open while on vacation, make certain that children cannot get into the freezer and become entrapped.

- **On models without a defrost drain**, place towels or newspapers on the freezer bottom to catch the frost. The frost will loosen and fall. Remove towels and/or newspapers.
- If the frost is soft, remove by using a plastic scraper. If frost is glazed and hard, fill deep pans with hot water and place them on the freezer bottom. Close the freezer door. Frost should soften in about 15 minutes. Repeat this procedure if necessary.

Cleaning the Inside

After defrosting, wash inside surfaces of the freezer with a solution of two tablespoons of baking soda in one quart (1.136 litres) warm water. Rinse and dry. Wring excess water out of the sponge or cloth when cleaning in the area of the controls, or any electrical parts.

Wash the removable parts and door gasket with the baking soda solution mentioned above, or mild detergent and warm water. Rinse and dry. **Never** use metallic scouring pads, brushes, abrasive cleaners, or alkaline solutions on any surface. Do not wash removable parts in a dishwasher.

Cleaning the Outside

Wash the cabinet with warm water and mild liquid detergent. Rinse well and wipe dry with a clean soft cloth. Replace parts and food.

Vacation and Moving Tips

Short Vacations: Leave the freezer operating during vacations of less than three weeks.

Long Vacations: If the freezer will not be used for several months, remove all food and unplug the power cord. Clean and dry the interior thoroughly. To prevent odor and mold growth, leave the freezer door open slightly, blocking it open if necessary.

Moving: Disconnect the power cord plug from the wall outlet. Remove foods, then defrost, and clean the freezer. Secure all loose items such as base panel, baskets, and shelves by taping them securely in place to prevent damage. In the moving vehicle, secure freezer in an upright position, and secure to prevent movement. Also protect outside of freezer with a blanket, or similar item.

Power Failure/ Freezer Failure

Do not open freezer door unnecessarily if freezer is off for several hours.

If a power failure occurs, frozen foods will stay frozen for at least 24 hours if the freezer is kept closed. If the power failure continues, pack seven or eight pounds of dry ice into the freezer every 24 hours. Look in the Yellow Pages under "Dry Ice," "Dairies," or "Ice Cream Manufacturers" for local dry ice suppliers. Always wear gloves and use caution when handling dry ice.

If the freezer has stopped operating, see "Freezer does not run" in the Avoid Service Checklist Section of this manual. If you cannot solve the problem, call an authorized servicer immediately.

If the freezer remains off for several hours, follow the directions above for the use of dry ice during a power failure. If necessary, take the food to a local locker plant until the freezer is ready to operate. Look in the Yellow Pages under "Frozen Food Locker Plants."

Energy Saving Ideas



- The freezer should be located in the coolest area of the room, away from heat producing appliances or heating ducts, and out of direct sunlight.
- Let hot foods cool to room temperature before placing in the freezer. Overloading the freezer forces the compressor to run longer. Foods that freeze too slowly may lose quality, or spoil.
- Be sure to wrap foods properly, and wipe containers dry before placing them in the freezer. This cuts down on frost build-up inside the freezer.
- Freezer shelves should not be lined with aluminum foil, wax paper, or paper toweling. Liners interfere with cold air circulation, making the freezer less efficient.
- Organize and label food to reduce door openings and extended searches. Remove as many items as needed at one time, and close the door as soon as possible.

Avoid Service Checklist

Before calling for service, review this list. It may save you both time and expense. This list includes common occurrences that are not the result of defective workmanship or materials in this appliance.

OCCURRENCE

SOLUTION

FREEZER DOES NOT RUN

Check to be sure freezer is not plugged into a circuit that has ground fault interrupt. If you are unsure about the outlet, have it checked by a certified technician.

Temperature control is in the OFF position. See Setting the Temperature Control Section.

Freezer may not be plugged in, or plug may be loose. Be sure plug is tightly pushed into electrical outlet.

House fuse has blown, or circuit breaker has tripped. Check/reset circuit breaker, or replace fuse with 15 amp. time delay fuse.

Power outage. Check house lights. Call local electric company.

Freezer runs too much or too long.

Room or outside weather is hot. It is normal for the freezer to work harder under these conditions.

Freezer had recently been disconnected for a period of time. Freezer requires 4 hours to cool down completely.

Large amounts of warm or hot food have been stored recently. Warm food will cause the freezer to run more until the desired temperature is reached.

Door is kept open too long or too frequently. Warm air enters the freezer every time the door is opened. Open the door less often.

Freezer door may be slightly open. See Occurrence "Door Problems."

Temperature control is set too cold. Turn the control knob to a warmer setting. Allow several hours for the temperature to stabilize.

Freezer gasket is dirty, worn, cracked, or poorly fitted. Clean or change gasket. Leaks in the door seal will cause freezer to run longer in order to maintain desired temperature.

Temperatures inside the freezer are too cold.

Temperature control is set too cold. Turn the control to a warmer setting. Allow several hours for the temperature to stabilize.

Temperatures inside the freezer are too warm.

Temperature control is set too warm. Turn the control to a colder setting. Allow several hours for the temperature to stabilize.

Door is kept open too long or is opened too frequently. Warm air enters the freezer every time the door is opened. Open the door less often.

Door may be open slightly. See Occurrence section "Door Problems."

Large amounts of warm or hot food might have been stored recently. Wait until the freezer has had a chance to reach its selected temperature.

Freezer has recently been disconnected for a period of time. Freezer requires 4 hours to cool down completely.

Temperature of external freezer surface is warm.

The exterior freezer walls can be as much as 30°F warmer than room temperature. This is normal while the compressor works to transfer heat from inside the freezer cabinet.

SOUND AND NOISE

Louder sound levels whenever freezer is on.

Modern freezers have increased storage capacity and more even temperatures. They require a high efficiency compressor. When the surrounding noise level is low, you might hear the compressor running while it cools the interior.

Louder sound levels when compressor comes on.

Freezer operates at higher pressures during the start of the ON cycle. This is normal. Sound will level off or disappear as freezer continues to run.

Popping or cracking sound when compressor comes on.

Metal parts undergo expansion and contraction, as in hot water pipes. This is normal. Sound will level off or disappear as freezer continues to run.

OCCURRENCE**SOLUTION****SOUND AND NOISE (cont'd)**

Bubbling or gurgling sound, like water boiling.

Refrigerant (used to cool freezer) is circulating throughout the system. This is normal.

Vibrating or rattling noise.

Freezer is not level. It rocks on the floor when it is moved slightly. Level the unit. Refer to "Leveling" in the First Steps Section.

Floor is uneven or weak. Freezer rocks on the floor when it is moved slightly. Be sure floor can adequately support freezer. Level the freezer by putting wood or metal shims under part of the freezer.

WATER/MOISTURE/FROST INSIDE FREEZER

Moisture forms on inside freezer walls.

Weather is hot and humid, which increases internal rate of frost build-up. This is normal.

Door is slightly open. See Occurrence "Door Problems."

WATER/MOISTURE/FROST OUTSIDE FREEZER

Moisture forms on outside of freezer.

Door is kept open too long, or is opened too frequently. Open the door less often.

Door is slightly open, causing the cold air from inside the freezer to meet warm moist air from outside. See "Door Problems" in the Occurrence Section.

ODOR IN FREEZER

Interior needs to be cleaned. Clean interior with sponge, warm water, and baking soda.

DOOR PROBLEMS

Door will not close.

Foods with strong odors are in the freezer. Cover the food tightly.

Freezer is not level. It rocks on the floor when it is moved slightly. This condition can force the cabinet out of square and misalign the door. Refer to "Leveling" in the First Steps Section.

Floor is uneven or weak. Freezer rocks on the floor when it is moved slightly. Level the floor by using metal or wood shims under the freezer or brace floor supporting the freezer.

LIGHT BULB IS NOT ON

Light bulb is burned out. Follow directions under "Interior Light" in the Freezer Features Section.

No electric current is reaching the freezer. See Occurrence "Freezer Does Not Run."

FREEZER WARRANTY

Your product is protected by this warranty

Your appliance is warranted by White Consolidated Industries, Inc. WCI has authorized Electrolux Home Products and its authorized servicers to perform services covered by this warranty. We authorize no person to change or add to any of our obligations under this warranty. Our obligations for service and parts under this warranty must be performed by Frigidaire or an authorized Frigidaire servicer.

	WARRANTY PERIOD	FRIGIDAIRE, THROUGH ITS AUTHORIZED SERVICERS, WILL:	THE CONSUMER WILL BE RESPONSIBLE FOR:										
FULL ONE-YEAR WARRANTY	One year from original purchase date.	Pay all costs for repairing or replacing any parts of this appliance which prove to be defective in materials or workmanship.	Costs of service calls that are listed under NORMAL RESPONSIBILITIES OF THE CONSUMER.*										
LIMITED 2ND - 5TH YEAR WARRANTY (Sealed System)	Second through fifth years from original purchase date.	Repair or replace any parts in the Sealed Refrigeration System (compressor, condenser, evaporator, drier and tubing) which prove to be defective in materials or workmanship, and provide the labor to install such part.	Diagnostic costs and any removal, transportation and reinstallation costs which are required because of service. Costs for labor, parts and transportation other than with respect to the Sealed Refrigeration System.										
LIMITED 6TH - 10TH YEAR WARRANTY (Compressor only)	Sixth through tenth years from original purchase date.	Provide a replacement for any compressor which proves to be defective in materials or workmanship.	Diagnostic costs and any removal, transportation and reinstallation costs which are required because of service. Costs for labor, parts and transportation other than the cost of the replacement compressor itself.										
LIMITED WARRANTY (Applicable to the State of Alaska)	Time periods listed above.	All of the provisions of the full and limited warranties above and the exclusions listed below apply.	Costs of the technician's travel to the home and any costs for pick up and delivery of the appliance required because of service.										
THREE-YEAR LIMITED FOOD SPOILAGE PLAN	During the first three years from original purchase date.	<p>If food loss results because of defects in materials or workmanship during the time periods listed above, and applies to the limitations stated in the normal responsibilities of the consumer listed below, Frigidaire will reimburse the consumer for the actual food spoilage loss in excess of \$5.00 per occurrence, but not to exceed the maximum payment in the schedule at right, provided the food losses:</p> <p>A) Are reported and the food shown to any Frigidaire authorized servicer within 24 hours of the discovery of the loss.</p> <p>B) Are not occasioned by either the manual disconnection of the electrical power within the premises of the owner or a general power failure.</p>	<p>C) Occur even though the owner exercised reasonable care and diligence to save food per suggestions furnished with the appliance.</p> <p style="text-align: center;">MAXIMUM PAYMENT SCHEDULE</p> <table border="1" style="width: 100%; border-collapse: collapse;"> <thead> <tr> <th style="text-align: left;">Size - Cubic Foot</th> <th style="text-align: right;">Cumulative Maximum</th> </tr> </thead> <tbody> <tr> <td style="text-align: left;">-5-9.9</td> <td style="text-align: right;">\$100</td> </tr> <tr> <td style="text-align: left;">10.0-16.5</td> <td style="text-align: right;">\$150</td> </tr> <tr> <td style="text-align: left;">16.6-21.5</td> <td style="text-align: right;">\$200</td> </tr> <tr> <td style="text-align: left;">21.6+</td> <td style="text-align: right;">\$250</td> </tr> </tbody> </table>	Size - Cubic Foot	Cumulative Maximum	-5-9.9	\$100	10.0-16.5	\$150	16.6-21.5	\$200	21.6+	\$250
Size - Cubic Foot	Cumulative Maximum												
-5-9.9	\$100												
10.0-16.5	\$150												
16.6-21.5	\$200												
21.6+	\$250												

***NORMAL RESPONSIBILITIES OF THE CONSUMER**

This warranty applies only to products in ordinary household use, and the consumer is responsible for the items listed below:

1. Proper use of the appliance in accordance with instructions provided with the product.
2. Proper installation by an authorized servicer in accordance with instructions provided with the appliance and in accordance with all local plumbing, electrical and/or gas codes.
3. Proper connection to a grounded power supply of sufficient voltage, replacement of blown fuses, repair of loose connections or defects in house wiring.
4. Expenses for making the appliance accessible for servicing, such as removal of trim, cupboards, shelves, etc., which are not a part of the appliance when it was shipped from the factory.
5. Damages to finish after installation.
6. Replacement of light bulbs and/or fluorescent tubes (on models with these features).

EXCLUSIONS

This warranty does not cover the following:

1. CONSEQUENTIAL OR INCIDENTAL DAMAGES SUCH AS PROPERTY DAMAGE AND INCIDENTAL EXPENSES RESULTING FROM ANY BREACH OF THIS WRITTEN OR ANY IMPLIED WARRANTY.
Note: Some states do not allow the exclusion or limitation of incidental or consequential damages, so this limitation or exclusion may not apply to you.
2. Service calls which do not involve malfunction or defects in workmanship or material, or for appliances not in ordinary household use. The consumer shall pay for such service calls.
3. Damages caused by services performed by servicers other than Frigidaire or its authorized servicers; use of parts other than genuine Electrolux Home Products parts; obtained from persons other than such servicers; or external causes such as abuse, misuse, inadequate power supply or acts of God.
4. Products with original serial numbers that have been removed or altered and cannot be readily determined.

IF YOU NEED SERVICE

Keep your bill of sale, delivery slip, or some other appropriate payment record. The date on the bill establishes the warranty period should service be required. If service is performed, it is in your best interest to obtain and keep all receipts. This written warranty gives you specific legal rights. You may also have other rights that vary from state to state. Service under this warranty must be obtained by contacting Electrolux Home Products:

800-944-9044
 Electrolux Home Products
 P.O. Box 212378
 Augusta, GA 30917

Product features or specifications as described or illustrated are subject to change without notice. All warranties are made by White Consolidated Industries, Inc. This warranty applies only in the 50 states of the U.S.A. and Puerto Rico.

Service Information in Canada Only

To avoid unnecessary cost and inconvenience, make a few simple checks before calling for service. Common occurrences and their solutions can be found in the Avoid Service Checklist. Be sure you have followed the instructions in this manual.

If you are unable to locate the cause of a problem, call for service. Insist on factory service by an authorized FRIGIDAIRE PARTS AND SERVICE depot.

FRIGIDAIRE PARTS AND SERVICE

All Frigidaire appliances are backed by FRIGIDAIRE PARTS AND SERVICE, one of Canada's largest parts and service networks.

The Frigidaire reputation means you can enjoy complete professional service from one of our hundreds of trained technicians across the country.

FRIGIDAIRE PARTS AND SERVICE

7075 Ordan Drive
Mississauga, Ontario
L5T 1K6

Place the name, address and telephone number of your service depot in the spaces below.

Product and feature specifications as described or illustrated are subject to change without notice.

FRIGIDAIRE

FREEZER

WARRANTY in Canada

WARRANTOR:

Frigidaire Home Products of Canada
7075 Ordan Drive
Mississauga, Ontario
L5T 1K6

For service under this warranty, contact your local dealer/retailer, authorized FRIGIDAIRE PARTS AND SERVICE depot, or:

FRIGIDAIRE PARTS AND SERVICE

7075 Ordan Drive
Mississauga, Ontario
L5T 1K6
Tel: (905) 565-9200
Fax: (905) 565-0937

WARRANTY PERIOD:

For the first year after purchase by the original consumer/owner:

For the second, third, fourth and fifth year after purchase by the original consumer/owner:

For the sixth, seventh, eighth, ninth and tenth year after purchase by the original consumer/owner.

WARRANTOR WILL THROUGH ITS AUTHORIZED SERVICE DEPOT:

Pay cost to repair or replace any defective parts (including service and labour charge).

Pay cost (including service and labour charge) to repair or replace defective parts of the sealed refrigeration system consisting of the compressor, evaporator, condenser, interconnecting tubing, drier and refrigeration charge.

Pay cost (excluding service and labour charge) to replace a defective motor compressor.

FREEZER FOOD SPOILAGE PLAN

In addition, in the event of loss of food due to spoilage as a result of a mechanical failure or an inoperative component of the freezer due to faulty workmanship or materials, the following freezer food spoilage plan applies. The cumulative total responsibility, as outlined below, shall not be exceeded for any given freezer.

Type of freezer	Plan period	Frigidaire will pay	Consumer/Owner will pay
5 cu. ft./142 litres to 11.9 cu. ft./337.1 litres	1st through 5th year after date of purchase by original consumer/owner	A cumulative total of up to \$200.	First \$25 of each claim
12.0 cu. ft./340 litres to 23.0 cu. ft./651.5 litres	1st through 5th year after date of purchase by original consumer/owner	A cumulative total of up to \$400.	First \$25 of each claim

Claim forms may be obtained from your local dealer/retailer, authorized FRIGIDAIRE PARTS AND SERVICE depot or from the office shown above and must be submitted to the warranty department within thirty (30) days of the loss.

Where a claim is submitted under the Freezer Food Spoilage Plan, such claim constitutes a waiver by the consumer/owner of any other right to remedy to which he/she is otherwise entitled by law with respect to the loss of food due to spoilage as a result of mechanical failure or an inoperative component of the freezer due to faulty workmanship or materials.

WARRANTY APPLIES TO:

- a) Products purchased and installed in Canada for personal single family household use.
- b) Defects resulting or arising out of the manufacturing process.
- c) Products bearing legible manufacturer's model and serial numbers.
- d) Replacement parts only for the remainder of the original warranty.

WARRANTY DOES NOT APPLY TO:

- a) Transportation damage.
- b) Supply and replacement of porcelain, fuses, glass and light bulbs.
- c) Parts and service supplied or obtained from other than FRIGIDAIRE PARTS AND SERVICE or FRIGIDAIRE PARTS AND SERVICE authorized depots.
- d) Damage or failure as the result of abuse, improper or commercial use.

CONSUMER/OWNER RESPONSIBILITY:

- a) To provide proof of the original date of purchase by means of a bill of sale or payment record verifying purchase date.
- b) To pay all costs to make the appliance readily accessible for service.
- c) To ensure proper power supply and connection of the appliance to same.
- d) Proper installation, control setting and care of finish.

This warranty is in addition to any statutory warranties contained in any applicable legislation. The terms and conditions of this warranty are not intended to exclude or limit your rights under those statutes. The warrantor however reserves the right to charge transportation and travelling costs for distances in excess of 48 kilometres (30 miles) from the nearest FRIGIDAIRE PARTS AND SERVICE authorized service depot.

This warranty plus the statutory warranties mentioned are the only warranties given to the consumer/owner for this product.

GUIDE DE L'UTILISATEUR

LISEZ ET CONSERVEZ CES INSTRUCTIONS

Inscrivez ci-dessous le numéro de modèle et le numéro de série de ce congélateur.

N° de modèle _____

N° de série _____

Conservez ces numéros.

IMPORTANT: Conservez une copie de votre facture. La date qui y figure établit la période de garantie, au cas où vous auriez besoin de faire réparer votre appareil. Si vous faites réparer votre appareil, il sera préférable que vous ayez déjà demandé et gardé tous les reçus.

Table des matières

2	Importantes mesures de sécurité
3	Pour bien commencer
4	Réglage de la commande de température
4-5	Caractéristiques du congélateur
5-6	Entretien et nettoyage
7	Panne de courant/panne de congélateur
7	Économies d'énergie
8-9	Liste de contrôle anti-panne
10	Information sur le service après-vente
11	Garantie (Canada)

Ce guide de l'utilisateur donne des directives particulières à ce modèle. N'utilisez le congélateur que de la façon indiquée dans ce guide.

CONGÉLATEUR

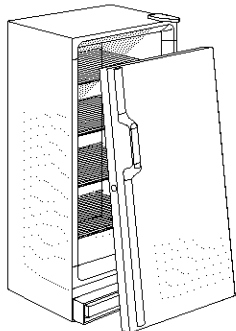
Importantes mesures de sécurité

AVERTISSEMENT Mise au rebut appropriée du congélateur

IMPORTANT: Les risques d'enfermement et de suffocation des jeunes enfants sont bien réels. Les congélateurs mis au rebut ou non utilisés présentent toujours un danger - même s'ils ne sont entreposés "que pour quelques jours". Si vous allez vous débarrasser de votre vieux congélateur veuillez suivre les instructions ci-dessous pour éviter tout risque d'accident.

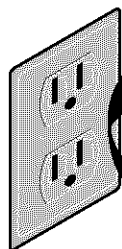
AVANT DE VOUS DEBARASSER DE VOTRE VIEUX CONGÉLATEUR:

- * Retirer les portes.
- * Laisser les étagères en place pour que les enfants ne frimpent pas facilement dedans.



AVERTISSEMENT Éviter tout risque de feu ou de choc électrique. Ne pas utiliser de cordon prolongateur ni fiche d'adaptation. N'enlever aucune des broches du cordon.

Prise murale mise à la terre



Ne jamais couper, enlever ou mettre hors circuit la broche de mise à la terre de cette fiche.

Cordon d'alimentation muni d'une fiche à trois broches avec mise à la terre

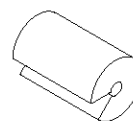
Lisez toutes les instructions avant d'utiliser ce congélateur.

AVERTISSEMENT Pour votre sécurité

N'entreposez pas et n'utilisez pas d'essence ou autres vapeurs et liquides inflammables à proximité de cet appareil ou d'un autre. Lisez les étiquettes donnant les caractéristiques d'inflammabilité et autres avertissements.

AVERTISSEMENT Sécurité des enfants

- Détruisez le cartonnage, les sacs plastiques et tout matériau d'emballage immédiatement après le déballage du congélateur. Les enfants ne devraient jamais se servir de ces articles pour jouer. Les cartonnages recouverts de tapis, housses plastiques, couvertures ou matériaux extensibles risquent en effet de ne pas laisser passer d'air et d'asphyxier.
- **Un enfant peut s'étouffer s'il se cache ou joue dans un congélateur. Enlevez la porte d'un congélateur non utilisé, même si vous décidez de le jeter.** De nombreuses communautés ont des lois vous demandant de respecter cette mesure de sécurité
- Retirez et jetez toutes les entretoises employées pour fixer les étagères pendant l'expédition. Les petits objets sont un risque d'obstruction aux enfants.



AVERTISSEMENT Électricité

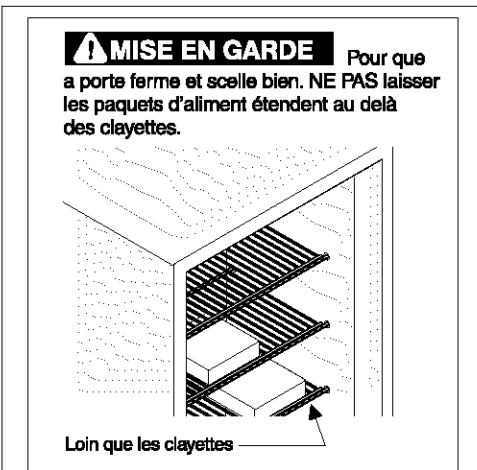
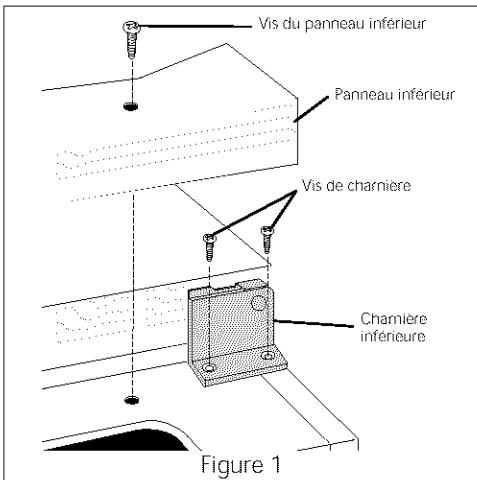
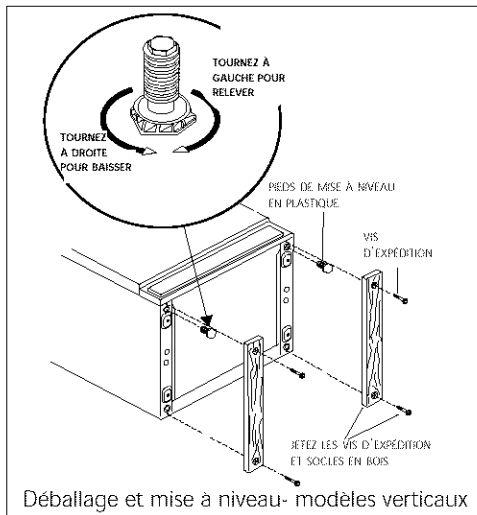
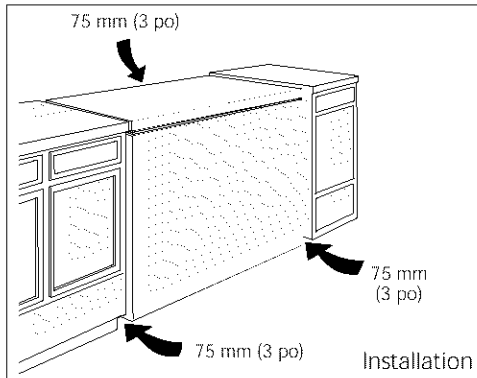
Ces directives doivent être suivies pour que les mécanismes de sécurité de ce congélateur fonctionnent correctement.

- **Reportez-vous à la plaque signalétique pour connaître les caractéristiques nominales du courant.** Le cordon de l'appareil est muni d'une fiche à trois broches avec mise à la terre pour éviter les décharges électriques. Elle doit être branchée directement dans une prise murale mise à la terre, à trois alvéoles, protégée par un coupe-circuit ou un fusible à action retardée de 15 A. La prise doit être installée conformément aux codes et règlements locaux. Consultez un électricien qualifié.
- Si la tension varie de 10% ou plus, les performances de votre congélateur risquent d'en être affectées, et le moteur endommagé. Un tel dommage n'est pas couvert par la garantie. Si vous soupçonnez que la tension est élevée ou basse, communiquez avec votre compagnie d'électricité. Les prises munies d'un disjoncteur de fuite à la terre ne sont pas recommandées. **N'utilisez PAS de cordon prolongateur ni de fiche d'adaptation.**
- Pour éviter que le congélateur ne soit accidentellement débranché, ne le branchez pas dans une prise commandée par un interrupteur mural ou un cordon de tirage, ni dans une prise reliée à un disjoncteur de fuite à la terre.
- Ne pincez pas, ne tordez pas, ne nouez pas le cordon d'alimentation.

AVERTISSEMENT Autres précautions

- Ne débranchez jamais le congélateur en tirant sur le cordon. Saisissez toujours bien la fiche et sortez-la de la prise en tirant droit vers vous.
- En mettant la commande sur «OFF» (ARRÊT), vous ne coupez pas l'alimentation des composants électriques, mais du compresseur seulement.

Pour bien commencer



Avant de mettre en marche le congélateur, prenez connaissance des points suivants:

Installation

- Choisissez un endroit près d'une prise mise à la terre.
- Pour assurer un fonctionnement des plus efficace, placez le congélateur à un endroit où les températures ambiantes ne dépasseront pas 43°C (110°F). Les températures moins de 0°C (32°F) ne changent pas le fonctionnement du congélateur. Les appareils de chauffage supplémentaires pour le compresseur ne sont pas recommandés.
- Laissez un espace de 75 mm (3 pouces) de chaque côté du congélateur pour assurer une bonne circulation de l'air.

Mise à niveau

Le congélateur doit avoir ses quatre coins inférieurs reposant fermement sur un plancher solide. Le plancher doit être assez résistant pour supporter un congélateur plein. Vérifiez la caisse avec un niveau, d'un côté à l'autre. Après avoir jeté le socle en bois et les vis ayant servi à l'expédition, mettez la caisse à niveau:

Mise à l'horizontale des modèles verticaux:

Les pieds de mise à niveau avant des modèles verticaux seulement doivent être relevés, juste assez pour que la porte se ferme facilement lorsqu'elle est à moitié ouverte.

Mise à l'horizontale des modèles horizontaux:

Au besoin, ajouter des cales de métal ou de bois entre les socles des pattes et le plancher.

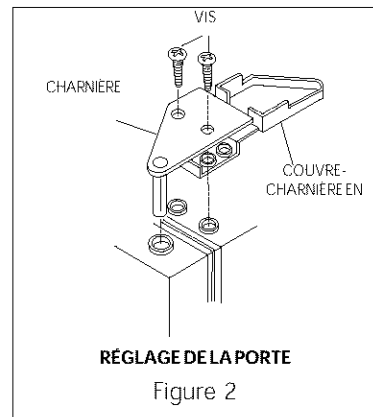
Nettoyage

- Nettoyez toutes les pièces amovibles ainsi que l'intérieur et l'extérieur avec de l'eau tiède et un détergent doux. Essayez. **N'UTILISEZ PAS D'ABRASIFS PUISSANTS SUR CES SURFACES.**
- Pour enlever les étiquettes adhésives, n'utilisez pas de lame de rasoir ou autre instrument tranchant risquant de rayer le fini. Enlevez la colle restante du ruban ou de l'étiquette sur l'énergie avec un mélange d'eau tiède et de détergent doux ou bien avec le côté collant du ruban ou de l'étiquette enlevée. **N'ENLEVEZ PAS LA PLAQUE SIGNALÉTIQUE.**

Dépose de la porte (modèles verticaux)

Pour enlever la porte s'il faut passer dans des couloirs étroits:

1. Placez doucement le congélateur sur l'arrière en le reposant sur une couverture ou un tapis.
2. Enlevez le panneau inférieur (certains modèles) en dévissant les deux vis de l'avant du panneau (figure 1).
3. En haut de la caisse, enlevez le couvre-charnière en plastique et rabattez-le (figure 2).
4. À l'aide d'un tournevis Phillips®, desserrez puis resserrez les vis sur la charnière supérieure pour que l'ensemble soit bien fixé et que la charnière ne glisse pas.
5. Enlevez la charnière supérieure de la caisse et sortez la porte de l'axe de charnière inférieure.
6. Une fois la porte enlevée, enlevez les deux vis de la charnière inférieure.
7. Pour remettre en place la porte, inversez les étapes ci-dessus.



Réglage de la commande de température

Période de refroidissement

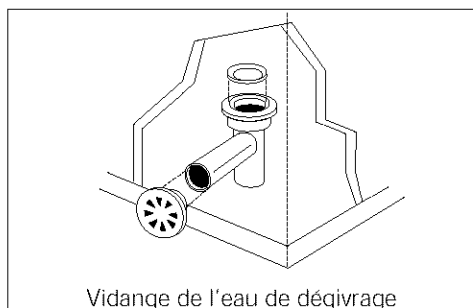
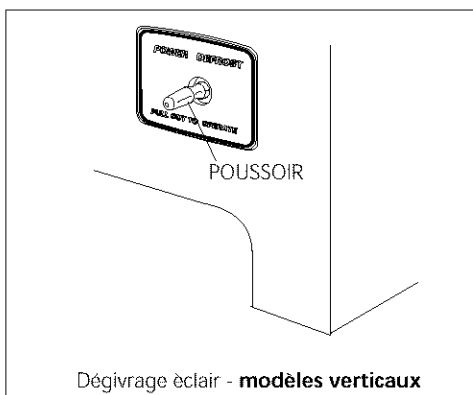
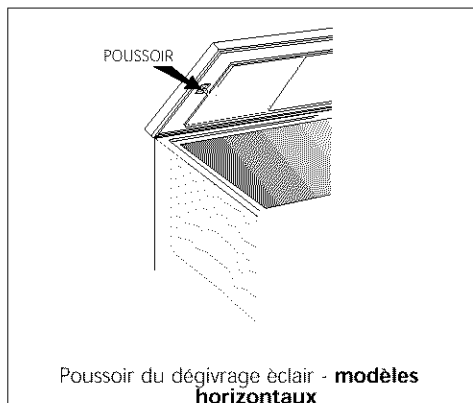
Pour assurer une bonne conservation des aliments, laissez le congélateur refroidir complètement pendant 4 heures. Le congélateur fonctionnera continuellement les quelques premières heures. Les aliments déjà congelés peuvent être placés dans le congélateur après les premières heures de fonctionnement. Les aliments non congelés NE devraient PAS être rangés dans le congélateur tant qu'il n'a pas fonctionné pendant 4 heures.

Lorsque vous remplissez le congélateur, ne congelez que 3 lb d'aliments par pied cube d'espace de congélateur en une seule fois. Répartissez les paquets dans tout le congélateur. Il n'est pas nécessaire de tourner le bouton de commande à un réglage plus froid lors de la congélation des aliments.

Commande de température

La commande de température est située à l'intérieur sur les modèles verticaux et sur la paroi externe gauche des modèles horizontaux. Cette commande a été pré réglée en usine des températures satisfaisantes de conservation. Le bouton de commande est réglable selon une gamme de températures correspondant à vos besoins personnels. Si vous désirez une température plus basse, se stabilisent après le réglage.

Caractéristiques du congélateur



NOTA: Votre congélateur peut avoir certaines des caractéristiques énumérées ci-dessous, ou encore toutes celles-ci. Apprenez à les connaître et familiarisez-vous avec leur utilisation et leur entretien.

Témoin de fonctionnement

Ce témoin indique que le congélateur est correctement branché au courant électrique. Le témoin reste allumé même lorsque la commande de température est à l'arrêt. Si le témoin s'éteint, reportez-vous à **Le congélateur ne fonctionne pas** dans la liste de contrôle anti-panne.

Étagère à boîtes de jus (modèles verticaux)

L'étagère à boîtes de jus dans la porte du congélateur est conçue tout spécialement pour le rangement des canettes de jus congelé, les empêchant de rouler hors de l'étagère.

Serrure de sécurité à ressort

La serrure empêche les enfants et autres personnes d'ouvrir le congélateur. Pour verrouiller ou déverrouiller le congélateur, enfoncez la clé dans la serrure et tournez-la. La clé s'éjecte de la serrure une fois qu'elle a été tournée.

Le dégivrage éclair

Le dégivrage éclair permet le dégivrage du congélateur en une fraction du temps habituellement nécessaire. Pour dégivrer, **enlevez toute la nourriture** et suivez ces étapes:

1. Tirez le poussoir du dégivrage éclair. Laissez la porte ouverte lors du dégivrage. (La fermeture du couvercle du congélateur enfonce le poussoir en arrêtant le dégivrage éclair.)
2. Appuyez sur le poussoir du dégivrage éclair pour remettre en marche le congélateur après le dégivrage.

Vidange de l'eau de dégivrage

Cette vidange permet à l'eau de s'écouler lors du dégivrage et du nettoyage. Voyez Dégivrage dans le chapitre Entretien et Nettoyage.

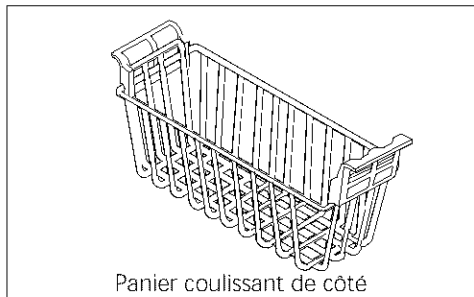
Éclairage intérieur

La lampe s'allume automatiquement à l'ouverture de la porte. Pour remplacer l'ampoule, tournez la commande de température sur «OFF» (ARRÊT) et débranchez le cordon. Remplacez l'ampoule par une autre de même puissance.

Panier coulissant (modèles verticaux)

Le panier coulissant, au bas du congélateur, permet de ranger séparément les articles difficiles à poser sur les clayettes. Pour l'enlever, tirez-le et soulevez-le.

Caractéristiques du congélateur (suite)



Panier coulissant de côté

Panier coulissant de côté (modèles horizontaux)

Ce panier permet de ranger des articles de formes diverses. Pour atteindre d'autres paquets dans le congélateur, couisissez le panier de côté ou soulevez-le.

Clayettes de congélation rapide (modèles verticaux)

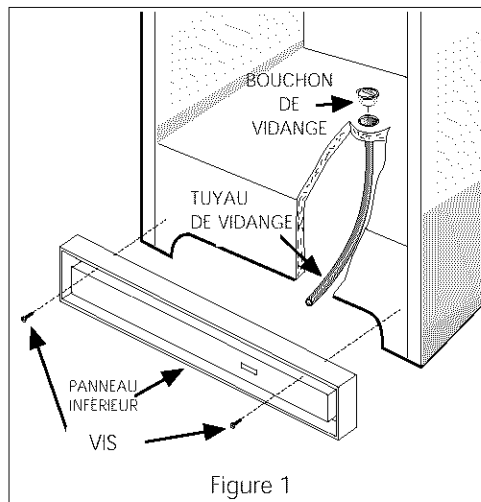
Ces clayettes comportent des serpentins de refroidissement pour congeler rapidement et permettre à l'air froid de circuler en continu dans le congélateur. Ne vous servez pas d'objet métallique pointu comme des pics à glace ou des grattoirs pour nettoyer les clayettes. Vous risqueriez de les endommager et de réduire leur capacité à refroidir. Ces clayettes ne sont pas réglables.

Retenue d'aliments en vrac (modèles verticaux)

La retenue d'aliments en vrac, située en bas du congélateur, offre un compartiment séparé pour les articles volumineux ou de formes irrégulières. Soulevez la retenue pour avoir accès au compartiment.

Entretien et nettoyage

⚠ PRÉCAUTION Les objets humides collent aux surfaces métalliques froides. Ne pas toucher ces surfaces avec les mains humides.



Certains congélateurs verticaux sont sans givre et se dégivrent donc automatiquement. Il faut cependant les nettoyer de temps à autre. Avant de décongeler ou de nettoyer, débranchez le cordon de la prise.

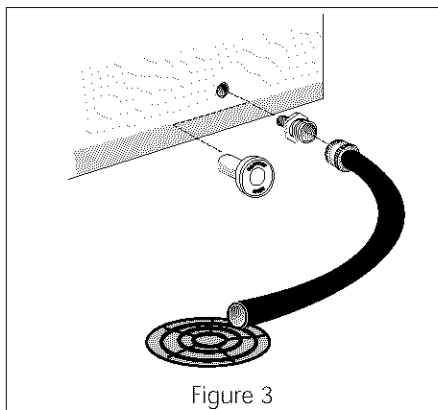
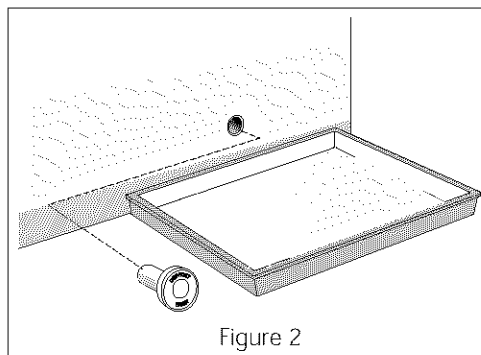
Entre les dégivrages

Pour éviter le dégivrage fréquent, enlevez de temps à autre le givre à l'aide d'un grattoir en plastique. Grattez en remontant. Ne vous servez jamais d'instrument métallique.

Dégivrage

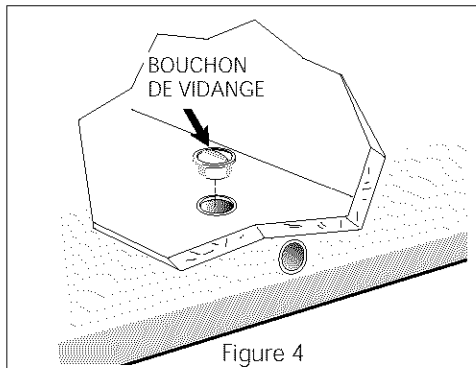
Il est important de dégivrer et de nettoyer le congélateur dès présence de 6 à 12 mm (1/4 à 1/2 pouce) de givre. Le givre s'accumule plus rapidement sur la partie supérieure du congélateur par suite de l'entrée d'air humide et tiède lorsque la porte ou le couvercle est ouvert. Enlevez la nourriture et laissez la porte ou le couvercle ouvert lors du dégivrage.

- **Sur les modèles verticaux** avec vidange de l'eau de dégivrage (figure 1), enlevez le bouchon de vidange au fond du congélateur en le tirant vers vous. Le tuyau de vidange est situé près du centre gauche sous le congélateur, derrière le panneau inférieur. Placez un plat creux sous le tuyau de vidange. L'eau du dégivrage va s'y écouler. Vérifiez de temps à autre que l'eau ne déborde pas. Remettez le bouchon en place lorsque dégivrage et nettoyage sont terminés. Si la vidange est restée ouverte, de l'air chaud peut entrer dans le congélateur.
- **Sur les modèles horizontaux** avec vidange de l'eau de dégivrage, placez un récipient creux ou le diviseur/plateau de dégivrage (fourni avec certains modèles) sous l'orifice de vidange (figure 2). Un adaptateur de tuyau de jardin d'un demi-pouce peut servir à vidanger le congélateur directement dans un drain de plancher (figure 3). Si votre modèle n'est pas muni d'un adaptateur, veuillez en acheter un à n'importe quelle quincaillerie. Sortez la bonde à l'intérieur du congélateur et enlevez le bouchon de vidange extérieur (figure 4). L'eau du dégivrage va s'écouler. Vérifiez de temps à autre que l'eau ne déborde pas. Remettez en place le bouchon de vidange et la bonde une fois le dégivrage terminé.



Entretien et nettoyage

(suite)



⚠ AVERTISSEMENT

Si le congélateur est laissé ouvert pendant des congés, s'assurer que des enfants ne puissent rester emprisonnés à l'intérieur.

- **Sur les modèles sans vidange de l'eau de dégivrage**, placez des serviettes ou journaux au fond du congélateur pour retenir le givre. Le givre va se détacher et tomber. Enlevez les serviettes et/ou les journaux.
- Si le givre est mou, enlevez-le à l'aide d'un grattoir plastique. S'il est dur et brillant, remplissez de profonds récipients avec de l'eau chaude et placez-les au fond du congélateur. Fermez le congélateur. Le givre devrait se ramollir en 15 minutes environ. Au besoin, répétez cette dernière opération.

Nettoyage de l'intérieur

Après le dégivrage, nettoyez les surfaces internes du congélateur avec une solution composée de deux cuillères à soupe de bicarbonate de soude dans 1 litre (1 pinte) d'eau tiède. Rincez et séchez. Essorez bien votre chiffon ou votre éponge pour nettoyer autour des commandes ou des pièces électriques.

Lavez les pièces amovibles et le joint de la porte avec une solution de bicarbonate de soude comme ci-dessus, ou de l'eau tiède additionnée de détergent doux. Rincez et séchez. **N'utilisez jamais** de tampon à récurer métallique, brosse, produit nettoyant abrasif ou solution alcaline sur une surface du congélateur, quelle qu'elle soit. Ne lavez pas les parties amovibles dans un lave-vaisselle.

Nettoyage de l'extérieur

Lavez la caisse à l'eau tiède additionnée de détergent liquide doux. Rincez bien et séchez avec un linge propre et doux. Remettez en place les pièces et la nourriture.

Conseils de vacances et déménagement

Courtes vacances: Laissez le congélateur fonctionner pendant des congés de une à trois semaines.

Longues vacances: Si le congélateur n'est pas utilisé pendant plusieurs mois, enlevez toute la nourriture et débranchez le cordon. Nettoyez et séchez l'intérieur soigneusement. Laissez la porte ou le couvercle légèrement ouvert en bloquant au besoin, pour empêcher moisissure et odeur.

Déménagement: Débranchez le cordon. Enlevez toute la nourriture, dégivrez le congélateur et nettoyez-le. À l'aide du ruban, attachez les pièces mobiles au congélateur pour empêcher dommage. Dans le véhicule, le congélateur doit être dans une position verticale. Assurez la sécurité du congélateur, pour empêcher le mouvement. Couvrez l'extérieur avec une couverture, ou autre article similaire, pour protéger-le.

Panne de courant/ panne du congélateur

Ne pas ouvrir le congélateur inutilement en cas de panne de courant.

En cas de panne de courant, les aliments resteront congelés au moins 24 heures si le congélateur reste fermé. Si la panne continue, placez sept ou huit livres de glace sèche dans le congélateur toutes les 24 heures. Cherchez dans les pages jaunes les fournisseurs sous «Glace sèche», «Laiteries» ou «Fabricants de crème glacée». Portez toujours des gants et soyez prudent lors de la manipulation de glace sèche.

Si le congélateur s'est arrêté de fonctionner, reportez-vous à "Le congélateur ne fonctionne pas" dans la liste de contrôle anti-panne. Si vous ne pouvez résoudre le problème, appelez immédiatement un réparateur autorisé.

N'ouvrez pas le congélateur inutilement. S'il ne fonctionne pas pendant plusieurs heures, suivez les instructions ci-dessus traitant de l'utilisation de glace sèche. Au besoin, apportez vos aliments dans un dépôt frigorifique local jusqu'à ce que le congélateur soit prêt à fonctionner. Regardez dans les pages jaunes sous «Entrepôts frigorifiques pour aliments congelés».

Conseils pour économiser l'énergie



- Placez le congélateur dans l'endroit le plus froid de la pièce, éloigné de la lumière du soleil et des conduits de chauffage ou appareils producteurs de chaleur.
- Laissez les aliments chauds refroidir à la température de la pièce avant de les ranger dans le congélateur. La surcharge du congélateur oblige le compresseur à fonctionner plus longtemps. Les aliments qui congèlent trop doucement risquent de perdre leur qualité ou de se gâter.
- Enveloppez correctement les aliments et essuyez les contenants avant de les ranger dans le congélateur. Ceci diminue la condensation à l'intérieur du congélateur.
- Les clayettes ne devraient pas être recouvertes de papier aluminium, papier ciré ou essuie-tout. Ces revêtements entravent la circulation de l'air froid, ce qui diminue l'efficacité du congélateur.
- Rangez bien les aliments et étiquetez-les pour réduire les ouvertures et les recherches prolongées. Prenez autant d'articles que possible en même temps et fermez aussitôt le congélateur.

Liste de contrôle anti-panne

PROBLÈME

Avant d'appeler un agent de service, consultez cette liste. Vous pourriez économiser temps et argent. Cette liste décrit les situations courantes qui ne sont causées ni par un défaut de fabrication ni par un matériau défectueux.

SOLUTION

LE CONGÉLATEUR NE FONCTIONNE PAS

S'assurez de n'utiliser pas des prises avec disjoncteur de fuite à la terre. Consultez un électricien qualifié.

La commande est à la position «OFF» (ARRÊT). Voyez **Réglage de la commande de température**.

Le congélateur n'est peut être pas branché ou la prise mal branchée. Assurez-vous que la fiche est bien enfoncée dans la prise électrique.

Le fusible ou le coupe-circuit a sauté ou s'est déclenché. Vérifiez/réenclenchez le coupe-circuit ou remplacez le fusible par un fusible de 15 A à action différée.

Panne de courant. Vérifiez les lumières de la maison. Appelez la compagnie d'électricité de votre région.

Le congélateur fonctionne trop ou trop longtemps.

La température ambiante ou à l'extérieur est élevée. Dans ces conditions, il est normal que le congélateur fonctionne plus.

Le congélateur a récemment été débranché, et ce, pendant quelque temps. Le congélateur a besoin de 4 heures pour refroidir complètement.

De grandes quantités d'aliments chauds ou tièdes ont été rangées récemment. Les aliments chauds font davantage fonctionner le congélateur et ce, jusqu'à ce qu'il ait atteint la température désirée.

Le congélateur est resté ouvert trop longtemps ou trop fréquemment. De l'air chaud y entre à chaque fois qu'il est ouvert. Ouvrez-le moins souvent.

Le congélateur est peut-être légèrement ouvert. Voyez **Problèmes de porte**.

La commande est placée en position trop froide. Tournez-la à un réglage plus chaud. Attendez plusieurs heures que la température se stabilise.

Le joint du congélateur est sale, usé, fendillé ou mal ajusté. Nettoyez ou remplacez le joint. Des fuites dans le joint peuvent faire fonctionner le congélateur plus longtemps afin de maintenir la température désirée.

Les températures à l'intérieur du congélateur sont trop basses.

La commande de température est en position trop froide. Tournez-la à un réglage plus chaud. Attendez plusieurs heures que la température se stabilise.

Les températures à l'intérieur du congélateur sont trop élevées.

La commande de température est en position trop chaude. Tournez-la à un réglage plus froid. Attendez plusieurs heures que la température se stabilise.

Le congélateur est resté ouvert trop longtemps ou trop fréquemment. De l'air chaud y entre à chaque fois qu'il est ouvert. Ouvrez-le moins souvent.

Le congélateur est peut-être légèrement ouvert. Voyez **Problèmes de porte**.

De grandes quantités d'aliments chauds ou tièdes ont été rangées récemment. Attendez que le congélateur ait atteint la température choisie.

Le congélateur a récemment été débranché, et ce, pendant quelque temps. Le congélateur a besoin de 4 heures pour se refroidir complètement.

La température de la surface externe est élevée.

La caisse du congélateur est toujours tiède au toucher. Le congélateur fonctionne normalement, en retirant l'air chaud de l'intérieur.

BRUITS

Bruits plus élevés lorsque le congélateur est en marche.

Les congélateurs d'aujourd'hui ont plus de capacité de rangement et des températures plus uniformes. Ils ont besoin d'un compresseur haute vitesse. Ceci est normal.

PROBLÈME

SOLUTION

BRUITS (suite)

Bruits plus élevés lorsque le compresseur se met en marche.

Le congélateur fonctionne à de plus hautes pressions pendant la mise en marche du cycle de refroidissement. Ceci est normal. Les bruits se stabilisent ou disparaissent alors que le congélateur continue à fonctionner.

Craquements lorsque le compresseur se met en marche.

Les composants métalliques se dilatent et se contractent comme des tuyaux d'eau chaude. Ceci est normal. Le bruit se stabilise ou disparaît alors que le congélateur continue à fonctionner.

Bruits de bouillonnement semblables à de l'eau qui bout.

Le réfrigérant (utilisé pour refroidir le congélateur) circule dans le système. Ceci est normal.

Bruits de ferraille ou de vibration.

Le congélateur n'est pas de niveau. Il oscille lorsqu'on le bouge à peine. Réglez les pieds de mise à niveau. Voyez **Mise à niveau** sous **Pour bien commencer**.

Le plancher est irrégulier ou faible. Le congélateur oscille lorsqu'on le bouge à peine. Assurez-vous que le plancher peut soutenir le congélateur. Mettez le plancher de niveau en utilisant des cales en bois sous le congélateur.

Le congélateur touche le mur. Refaites la mise à niveau du congélateur ou déplacez-le légèrement. Voyez **Mise à niveau** sous **Pour bien commencer**.

EAU/HUMIDITÉ/GIVRE À L'INTÉRIEUR DU CONGÉLATEUR

De la condensation se forme sur les parois intérieures

Le temps est chaud et humide, ce qui augmente l'accumulation sur les parois intérieures. Ceci est normal.

Le congélateur est légèrement ouvert. Voyez **Problèmes de porte**.

Le congélateur est resté ouvert trop longtemps ou trop souvent. Ouvrez-le moins souvent.

EAU/HUMIDITÉ/GIVRE À L'EXTÉRIEUR DU CONGÉLATEUR

De la condensation se forme à l'extérieur du congélateur.

Le congélateur est légèrement ouvert, d'où rencontre de l'air froid venant de l'intérieur du congélateur avec l'air chaud et humide ambiant. Voyez **Problèmes de porte**.

ODEUR DANS LE CONGÉLATEUR

L'intérieur doit être nettoyé. Nettoyez l'intérieur avec éponge, eau tiède et bicarbonate de soude.

Des aliments dégagent une odeur forte sont dans le congélateur. Couvrez hermétiquement ces aliments.

PROBLÈMES DE PORTE

La porte ne ferme pas.

Le congélateur n'est pas de niveau. Il oscille lorsqu'on le bouge à peine. Cette condition peut déformer la caisse et désaligner la porte. Reportez-vous à **Mise à niveau** sous **Pour bien commencer**.

Le plancher est inégal ou faible. Le congélateur oscille lorsqu'on le bouge à peine. Mettez le plancher à niveau à l'aide de cales en bois ou en métal placées sous le congélateur ou renforcez le plancher.

L'AMPOULE NE S'ALLUME PAS

L'ampoule est grillée. Voyez **Éclairage intérieur** sous **Caractéristiques du congélateur**.

Il n'y a pas de courant qui arrive au congélateur. Voyez **Le congélateur ne fonctionne pas**.

Information sur le service après-vente (Canada)

Pour éviter tout dérangement et tous frais inutiles, faites quelques vérifications simples avant d'appeler le dépositaire de service. Vous trouverez les problèmes courants et leurs solutions dans la liste de contrôle anti-panne de votre guide.

Si vous ne pouvez repérer la cause du problème, appelez le dépositaire FRIGIDAIRE – PIÈCES ET SERVICE.

FRIGIDAIRE – PIÈCES ET SERVICE

Tous les appareils Frigidaire sont appuyés par FRIGIDAIRE – PIÈCES ET SERVICE, l'un des plus grands réseaux de pièces et service après-vente au Canada.

La réputation de Frigidaire se traduit pour vous par un service professionnel complet qu'effectuera l'un de nos techniciens expérimentés, se chiffrant en centaines dans tout le pays.

FRIGIDAIRE – PIÈCES ET SERVICE

7075 Ordan Drive
Mississauga, Ontario
L5T 1K6

Inscrivez ci-dessous le nom, adresse et numéro de téléphone de votre dépositaire de service.

Les spécifications et caractéristiques de l'appareil, décrites ou illustrées, peuvent être modifiées sans préavis.

FRIGIDAIRE

CONGÉLATEUR

GARANTIE (Canada)

GARANT:

Frigidaire Home Products of Canada
7075 Ordan Drive
Mississauga, Ontario
L5T 1K6

Pour obtenir le service prévu par cette garantie, communiquez avec votre détaillant, un dépositaire de service autorisé par FRIGIDAIRE – PIÈCES ET SERVICE, ou:

FRIGIDAIRE – PIÈCES ET SERVICE

7075 Ordan Drive
Mississauga, Ontario
L5T 1K6
Tél.: (905) 565-9200
Fax: (905) 565-0937

DURÉE DE LA GARANTIE:

La première année suivant la date d'achat par le consommateur/propriétaire initial:

La deuxième, la troisième, la quatrième et la cinquième année suivant la date d'achat par le consommateur/propriétaire initial:

La sixième, la septième, la huitième, la neuvième et la dixième année suivant la date d'achat par le consommateur/propriétaire initial.

LE GARANT, PAR L'ENTREMISE DE SON DÉPOSITAIRE DE SERVICE AUTORISÉ:

Réparera ou remplacera gratuitement toute pièce défectueuse (service et main-d'oeuvre compris pour l'installation).

Réparera ou remplacera gratuitement (service et main-d'oeuvre compris pour l'installation) toute pièce défectueuse du système de réfrigération comprenant le compresseur, l'évaporateur, le condenseur, la tuyauterie, le déshydrateur et la charge de réfrigérant.

Remplacera gratuitement (service et main-d'oeuvre non compris pour l'installation) tout compresseur défectueux.

PROGRAMME – NOURRITURE AVARIÉE

De plus, le programme suivant s'applique en cas de perte d'aliments qui se sont gâtés à cause d'une défectuosité mécanique ou d'un composant du congélateur devenu non fonctionnel par suite d'un défaut de matériau ou de fabrication. La responsabilité cumulative totale sera limitée au montant indiqué ci-dessous, selon le congélateur.

Congélateur	Durée du programme	Frigidaire paiera	Le consommateur/ propriétaire paiera
5 pi ³ /142 L à 11,9 pi ³ /337,1 L	De la 1 ^{re} à la 5 ^e année suivant la date d'achat par le consommateur/propriétaire initial	Un total cumulatif de 200 \$ max.	Une franchise de 25 \$ sur chaque réclamation
12 pi ³ /340 L à 23 pi ³ /651,5 L	De la 1 ^{re} à la 5 ^e année suivant la date d'achat par le consommateur/propriétaire initial	Un total cumulatif de 400 \$ max.	Une franchise de 25 \$ sur chaque réclamation

Un formulaire de réclamation peut être obtenu soit de votre détaillant local, soit d'un dépositaire de service autorisé par FRIGIDAIRE – PIÈCES ET SERVICE soit à l'adresse indiquée ci-dessus; il devra être soumis au service responsable de la garantie, au plus tard trente (30) jours suivant cette perte.

Lorsqu'une réclamation est soumise selon le programme – nourriture avariée, elle constitue alors une renonciation par le consommateur/propriétaire, à tout autre droit ou recours juridique auquel il aurait autrement droit, selon la loi, pour ce qui est de la perte de nourriture. Une réclamation est justifiée si cette perte est causée par une défectuosité mécanique ou un composant du congélateur.

LA GARANTIE S'APPLIQUE:

- Aux produits achetés et installés au Canada pour l'usage personnel d'une seule famille.
- Aux défauts dus ou consécutifs à la fabrication.
- Aux produits portant un numéro de modèle et un numéro de série du fabricant, lisibles.
- Aux pièces de rechange seulement pendant la durée de la garantie initiale qui reste à courir.

LA GARANTIE NE S'APPLIQUE PAS:

- Aux dommages causés par le transport.
- À la fourniture ni au remplacement des pièces en porcelaine et en verre, ni aux fusibles et ampoules.
- Aux pièces ni au service fournis ou obtenus par d'autres que FRIGIDAIRE – PIÈCES ET SERVICE ou un dépositaire de service autorisé par FRIGIDAIRE – PIÈCES ET SERVICE.
- Aux dommages ni aux défaillances résultant d'usage abusif, incorrect ou commercial.

RESPONSABILITÉ DU CONSOMMATEUR/PROPRIÉTAIRE:

- Fournir la preuve de la date originale d'achat au moyen d'une facture ou d'une justification du paiement faisant état de la date d'achat.
- Payer tous les frais nécessaires pour que l'appareil soit accessible pour être réparé.
- Assurer une alimentation électrique suffisante et le raccordement de l'appareil à celle-ci.
- Installation adéquate, réglage exact des commandes et entretien du fini.

Cette garantie est en sus de toute garantie légale contenue dans toute législation applicable. Les conditions de cette garantie ne sont pas destinées à exclure ou à limiter vos droits en vertu de ces lois. Le garant se réserve toutefois le droit de facturer les frais de transport et de déplacement lorsque la distance est supérieure à 48 kilomètres (30 milles) du dépositaire de service autorisé par FRIGIDAIRE – PIÈCES ET SERVICE le plus proche.

Cette garantie, plus les garanties légales déjà mentionnées, sont les seules garanties fournies au consommateur/propriétaire pour ce produit.

Remarques