

Crossmatch[®]

Verifier[®] Sentry

Operator Manual

Part Number 870391 V1.0

© Copyright, 2014 Cross Match® Technologies, Inc. All rights reserved. Specifications are subject to change without prior notice. Crossmatch and Verifier are registered trademarks, and the CROSS MATCH TECHNOLOGIES logo and Auto Capture are trademarks, of Cross Match Technologies, Inc. All other trademarks are the property of their respective owners. No portion of this guide may be reproduced in any form without the express written permission of Cross Match® Technologies, Inc.

Introduction

How this book is arranged	1
Standards	1
Glossary	1
Specifications for the Sentry	2
FCC Statement	2
Industry Canada	3
Licenses	3
Recycling information	3
Battery disposal	3
WEEE Directive	3

Description

The front of the	6
The left side of the Sentry	7
The right side of the Sentry	8
The back of the Sentry	9
The top of the Sentry	10
The bottom of the Sentry	10

Use the Sentry

Start the Sentry	11
Stop the Sentry	12
Scan a Contact Card	13
Scan a Contactless Card	14
Read an ePassport	16
Capture and verify the biometrics	17
Capture a photograph	18
Read a barcode	18

Maintenance

Remove the battery	21
Install the battery	22
Insert a SAM card	22
Remove a SAM card	22
Insert the SIM card	23
Remove the SIM card	23
Insert the Micro SD card	23
Remove the Micro SD card	24
Find the Product Label	24
Replace the fingerprint sensor	24

Customer Care

Technical Support	25
E-mail	25

Contents

Telephone and facsimile	25
Return and repair of the Sentry	26
Delivery costs	26
Contact information	26

Warranty

Warranty and Remedy	27
Limitations	27
Out-of-Warranty Repairs	28

Index

Figure 1: The front of the Sentry	6
Figure 2: The left side of the Sentry	7
Figure 3: The right side of the Sentry	8
Figure 4: The back of the Verifier Sentry	9
Figure 5: The top of the Verifier Sentry	10
Figure 6: The bottom of the Verifier Sentry	10
Figure 7: The Sentry battery compartment (battery removed)	21

Table 1: Glossary	1
Table 2: Specifications	2
Table 3: Biometric / Credential Capture	2
Table 4: Applications	2
Table 5: The front of the Sentry	6
Table 6: The left side of the Sentry	7
Table 7: The right side of the Sentry	8
Table 8: The back of the Sentry	9
Table 9: The top of the Verifier Sentry	10
Table 10: The bottom of the Verifier Sentry	10
Table 11: Items on the Sentry desktop	11
Table 12: Items in the Sentry battery compartment	21

How this book is arranged

- “**Introduction**” describes this book and its contents.
- “**Description**” describes the Cross Match[®] Technologies Verifier[®] Sentry and its features. You learn how to start the device.
- “**Use the Sentry**” describes how to use the Sentry to capture the biometric information.
- “**Maintenance**” how to perform normal maintenance on the Sentry.
- “**Customer Care**” contains the information about technical assistance for the Sentry and lists the contact numbers for Crossmatch.
- “**Warranty**” contains the Crossmatch warranty for the Sentry.

Standards

The following standards are used in this book:

- **Bold UPPERCASE** text, **bold lowercase** text or *tilted* text identify important information. Special information can appear in a Note, Caution or Warning.

Note

A **Note** contains additional information. To ignore a note can cause a delay, There is no mechanical damage or personal injury.

Caution

A **Caution** contains a method to prevent the loss of data or damage to equipment.

Warning

A **Warning** indicates that the loss of data or personal injury can occur.

Glossary

Table 1 Glossary

Term	Definition
3G	The third generation of cellular mobile phone and data communication standards, featuring higher bandwidth for web-based applications and video. Note In the Sentry, the 3G cellular modem transmits data . The Sentry does not transmit voice.
Auto Capture™	A Cross Match technology that captures an acceptable fingerprint without action from the user.
Bluetooth	A short-range radio technology that makes easy the following types of communications: <ul style="list-style-type: none"> • The communications between internal devices • The communications between devices and the Internet • The synchronization of data between internal devices and other computers
Flat fingerprint	A name for a fingerprint captured with the fingertip pressed on the platen. The Sentry captures flat fingerprints.
GPS	The Global Positioning System of satellites that can accurately find a GPS transceiver.
Platen	The surface where you put the fingers to capture the fingerprints.
USB	The Universal Serial Bus (USB) is a standard method to connect electronic devices.
User	The user captures the biometric and personal information. Another name is the operator .
Wi-Fi	Wireless local area network technology using the 802.11 standard. The Verifier Sentry cannot be the access point for a Wi-Fi hotspot. One network connection (Wi-Fi or Cellular) is allowed. When the primary connection is active, the secondary connection is not active

Specifications for the Sentry

Table 2 Specifications

Category	Description
Main Processor	ARM® Cortex-A9™ based iMX6 by Freescale™
Operating System	Android® 4.2.2
Memory	8GB Storage + 1GB DDR RAM; Internal eMMC slot to expand memory
Weight	4lbs (630g)
Dimensions	7 in (208 mm) by 3.7 in (94 mm) by 1.25in (32 mm)
Operating Temperature	14°F to 122 °F (-10 °C to 50 °C)
Humidity Range	10% to 90% non-condensing; Splash-resistant, IP65
Power	Removable battery, 8-hour operation
Ruggedized standards	MIL-STD-810G
External interfaces	USB-OTG (On The Go), Docking Station and Accessory.
Wireless Communications	Bluetooth® 4.0, Wireless LAN 802.11b/g/n; Cellular Connectivity 3G
Display	4.3 in, 800x480 WVGA display with projective capacitive touch panel

Table 3 Biometric / Credential Capture

Category	Description
Fingerprint	500 ppi, FAP 30 PIV-certified single finger sensor
Camera	5MP Auto Focus, Auto Flash

Table 3 Biometric / Credential Capture

Category	Description
Smart Card (contact or contactless)	ISO / IEC 7801 (CAC, PIV, TWIC, 14443-A, 14443-B, 15693, NFCIP-1, NFCIP-2, MIFARE, FeliCa)
Bar Code Reading	1D / 2D (PDF 417, Code 39)
ePassport	ICAO 9303 - MRZ, NFC

Table 4 Applications

Category	Description
SDK's	Verifier Sentry Essentials

Accessories for the Sentry

Table 5 Accessories

Accessory	Description
Docking Station	The Docking Station can charge two batteries, one in the Sentry and one in the battery charger compartment. The docking station has an Ethernet connector and four USB connectors.

FCC Statement

FCC ID#: Q9YSENTRY1

This device has been tested and found to comply with the limits for a Class A digital device, pursuant to Part 15 of the FCC Rules. These limits are designed to provide reasonable protection against harmful interference when the equipment is operated in a commercial environment. This equipment generates, uses, and can radiate radio frequency energy and, if not installed and used in accordance with the instruction manual, may cause harmful interference to radio communications. Operation of this equipment in a residential area is likely to cause harmful interference in which case the user will be required to correct the interference at this own expense.

Operation is subject to the following two conditions: (1) This device may not cause harmful interference, and (2) This device must accept any interference received, including interference that may cause undesired operation.

Warning: Changes or modifications not expressly approved by the manufacturer, could void the user's authority to operate the equipment.

Industry Canada

IC: 7944B_SENTRY1

This device complies with Industry Canada license-exempt RSS standard(s). Operation is subject to the following two conditions: (1) this device may not cause interference, and (2) this device must accept any interference, including interference that may cause undesired operation of the device.

“Le présent appareil est conforme aux CNR d’Industrie Canada applicables aux appareils radio exempt du licence. L’exploitation est autorisée aux deux conditions suivantes : (1) l’appareil ne doit pas produire de brouillage, et (2) l’utilisateur de l’appareil doit accepter tout brouillage radioélectrique subi, même si le brouillage est susceptible d’en compromettre le fonctionnement.”

Licenses

Wi-Fi/Bluetooth License

FCC ID: TFB-TIWI1-01, 15.247.
IC ID: 5969A-TIWI101, RSS 210

Cellular License

(USA) FCC ID#: QIPPHS8-P
(Canada) IC ID#: 7830A-PHS8P

Recycling information

Cross Match Technologies recommends that customers dispose of their used computer hardware, monitors, printers and other peripherals in an environmentally sound manner. Potential methods include reuse of parts or whole products and recycling products, components and/or materials.



Battery disposal

Batteries should be recycled in accordance with the laws governed by your Country, State or County.

In the US, please refer to the EPA guidelines for guidelines for the disposal of hazardous waste material at <http://www.epa.gov/epawaste/hazard/index.htm>.

Take batteries to your local Hazardous Waste Collection Facility for disposal. To find the nearest recycling facility in the US, go to <http://earth911.com> and enter your postal ZIP code.

- DO NOT EXPOSE TO FIRE OR HIGH TEMPERATURES (140 °F/60 °C)
- DO NOT DISASSEMBLE • DO NOT SHORT THE TERMINALS

WEEE Directive



The following is the test of the Waste Electrical and Electronic Equipment (WEEE) Directive.

In the European Union, this label indicates that this product should not be disposed of with household waste. It should be deposited at an appropriate facility to enable recovery and recycling.

The **Cross Match WEEE Registration number** is 60744969.



Description

THIS CHAPTER DESCRIBES THE CROSS MATCH® TECHNOLOGIES VERIFIER® SENTRY AND THE FEATURES THAT YOU CAN USE TO CAPTURE THE BIOMETRIC INFORMATION.



The Verifier® Sentry is a portable identification and verification device that provides many methods to capture personal and biometric information. Strong design, small size and light weight makes the device easy to use in the field. The device can scan CAC/PIV, Contact and Contactless smart cards. The Verifier Sentry can read the Machine Readable Zone (MRZ) on an ePassport and read the chip embedded in the passport.

The front of the



Figure 1 The front of the Sentry

The front of the Sentry contains the features that allow the operator to monitor the state of the device. The following table describes the features.

Table 5 The front of the Sentry

	Description
1	The finger is pressed on the platen surface to capture the fingerprint.
2	The speaker .
3	The Capacitive Touch Screen is sensitive to contact by a finger or a capacitive stylus.
4	When the battery accepts a charge, the Charge indicator illuminates. <ul style="list-style-type: none"> • A Red light indicates 500 mA of electricity is supplied to the Sentry. This current the amount required to operate the Sentry, but less than the amount required to charge the Sentry. • An Amber light indicates 1500 mA of electricity is supplied to the Sentry. • A Green light indicates the Sentry is supplied the correct amount of electricity by the Docking Station. This arrangement allows the device to operate and accept the fastest rate of charge.
5	The microphone .
6	The Status indicator . The Android hardware API controls this LED.

The left side of the Sentry

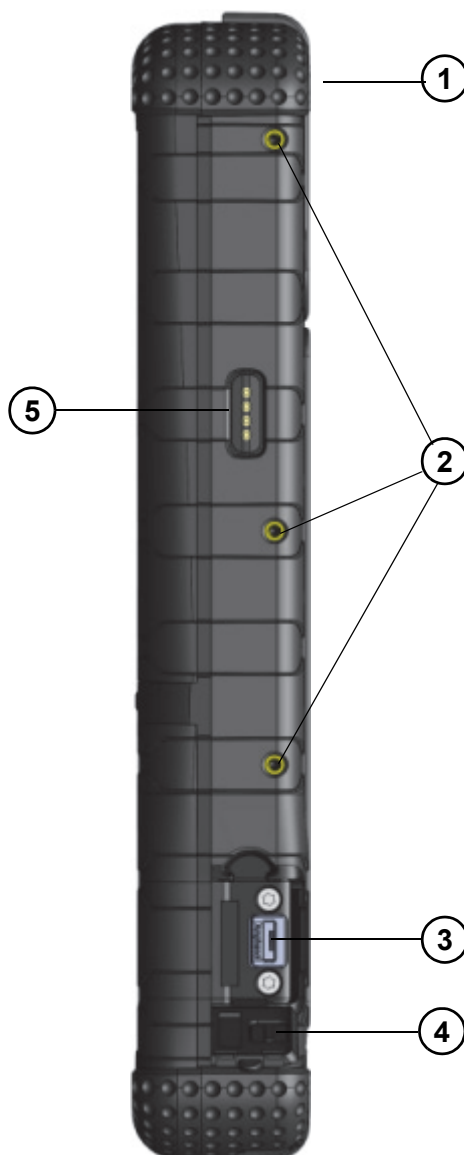


Figure 2 The left side of the Sentry

The following table describes the left side of the Sentry.

Table 6 The left side of the Sentry

	Description
1	The top-end of the Verifier Sentry.
2	The mounting points for accessories.
3	During normal operation, this port allows the Sentry to be a memory or camera device to a host computer. When the On The Go (OTG) adapter is used, the USB connector allows the Sentry to be a host computer for an external USB device. The connector can be a charge point. When connected to a laptop, the connector is a device endpoint.
4	The attached cover for the USB connector is shown open.
5	This is the data connection for an accessory.

The right side of the Sentry

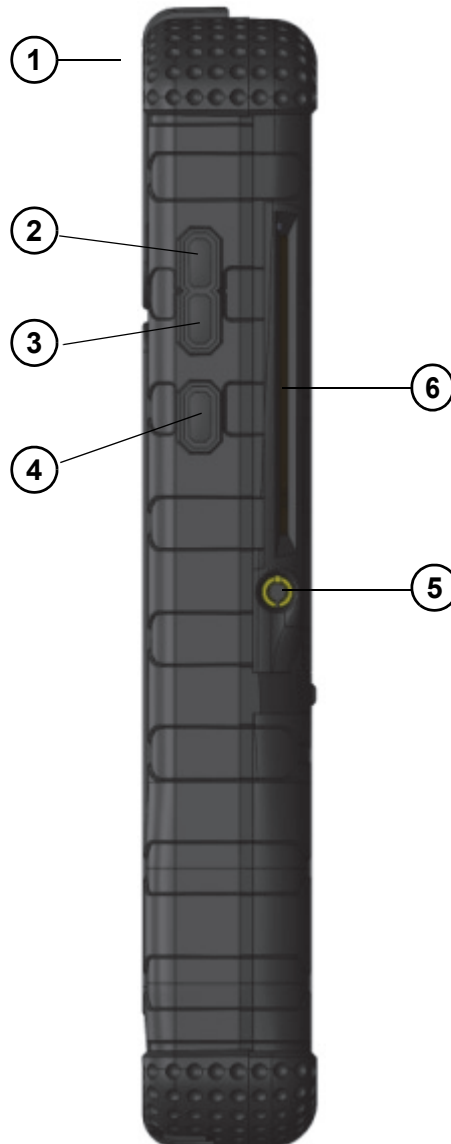


Figure 3 The right side of the Sentry

The following table describes the features on the right side of the Sentry.

Table 7 The right side of the Sentry

	Description
1	The top-end of the Verifier Sentry.
2	The button to increase the output from the speaker or from the earphones.
3	The button to decrease the output from the speaker or from the earphones.
4	The Start button.
5	The connection point for earphones and a microphone. The jack is one eighth of an inch in diameter.
6	The slot for a contact card. An application is required to display the data on the screen. When the operator inserts the card, the gold contacts on the top surface of card must be visible. See “Scan a Contact Card” on page 13.

The back of the Sentry

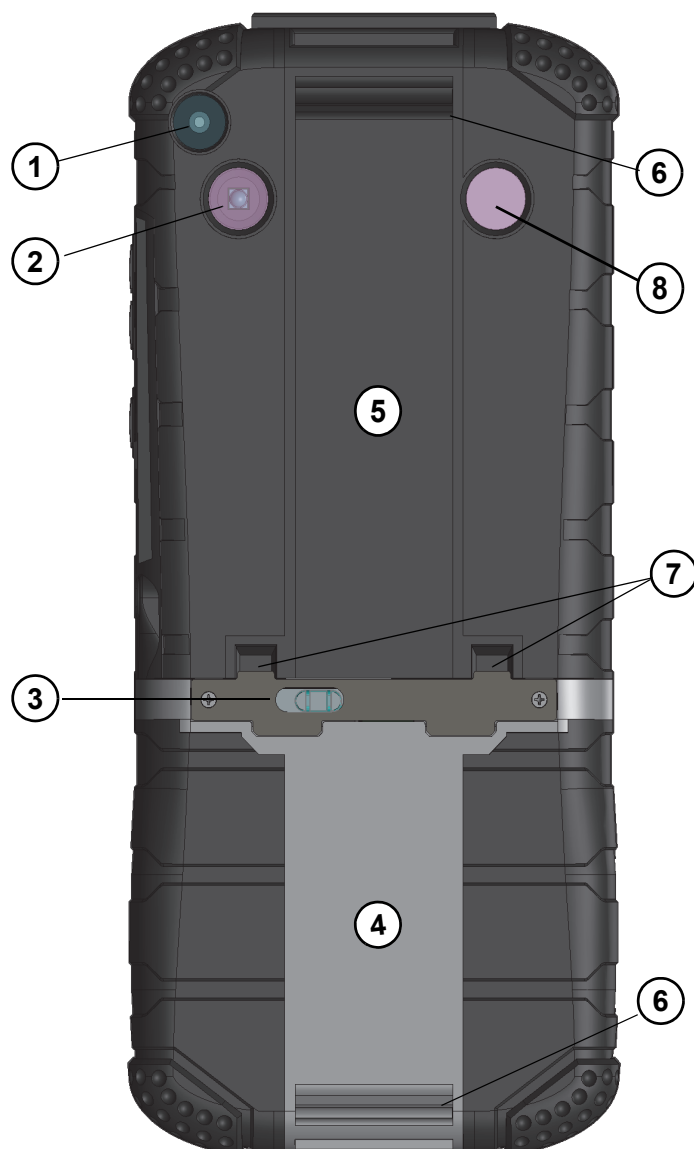


Figure 4 The back of the Verifier Sentry

The following table describes the features on the back of the Sentry.

Table 8 The back of the Sentry

Description	
1	The camera and camera lens.
2	The light source for the bar code scanner.
3	The release latch for the battery cover.
4	The cover for the battery compartment.
5	Contactless card Reader area. The card can be outside the hand strap. See “Scan a Contactless Card” on page 14.
6	The attachment bars for the hand strap.
7	Alignment slots for the docking station.
8	The photo light source provides illumination for photos captured with the camera. The light is disabled until the camera is enabled.

The top of the Sentry

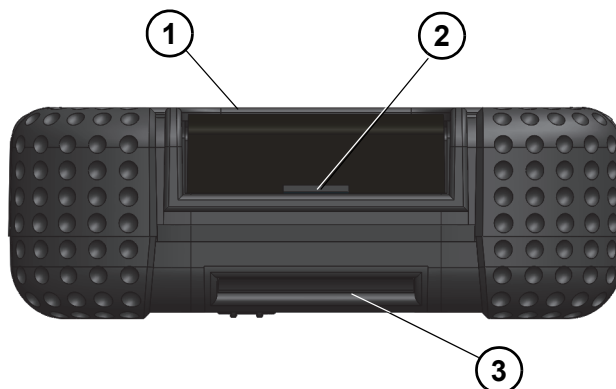


Figure 5 The top of the Verifier Sentry

The following table explains the features on the top of the Verifier Sentry.

Table 9 The top of the Verifier Sentry

Description	
1	The bezel around the platen.
2	The slot allows a tool provided by Crossmatch to release the sensor from the Verifier Sentry. See “Replace the fingerprint sensor” on page 24.
3	The top attachment bar for the hand strap. The hand strap is not shown.

The bottom of the Sentry

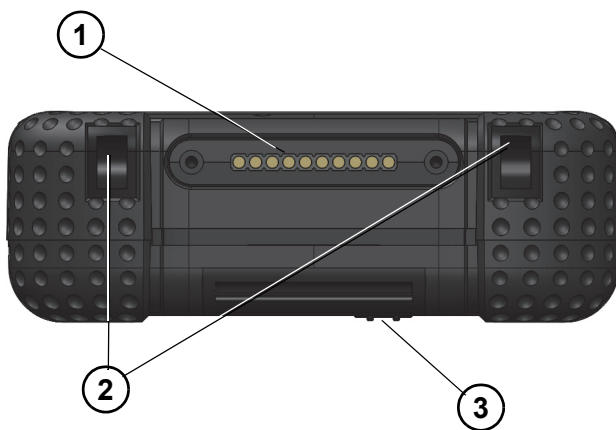


Figure 6 The bottom of the Verifier Sentry

The following table describes the features of the bottom of the device.

Table 10 The bottom of the Verifier Sentry

Description	
1	The connection point for the optional docking station.
2	Two slots that fit over two tabs on the optional docking station to correctly align the Verifier Sentry.
3	The bottom attachment bar for the hand strap.

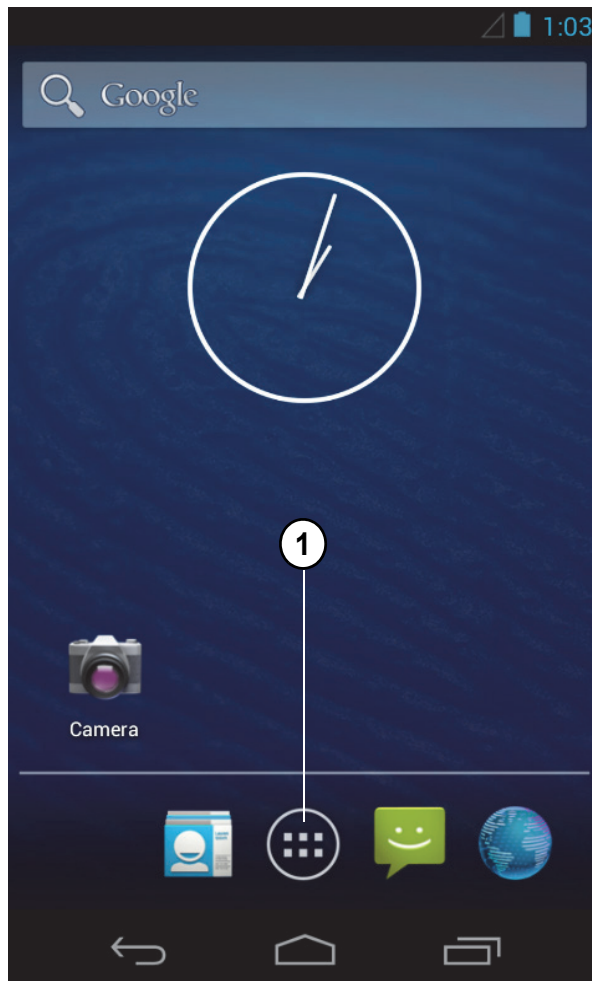
Use the Sentry

THIS CHAPTER DESCRIBES HOW TO START AND STOP THE SENTRY. THE CHAPTER ALSO DESCRIBES THE TASKS THE OPERATOR CAN PERFORM WITH THE SENTRY.

Start the Sentry

Follow the procedure to turn on the Sentry.

- 1 Press and hold the **Start** button. The **Status indicator** illuminates.
- 2 Release the **Start** button. The start sequence begins. The Sentry desktop appears. The Sentry is started.



The illustration shows the Sentry desktop. The desktop is a normal Android desktop. A tutorial is available on the Internet for the Android JB operating system.

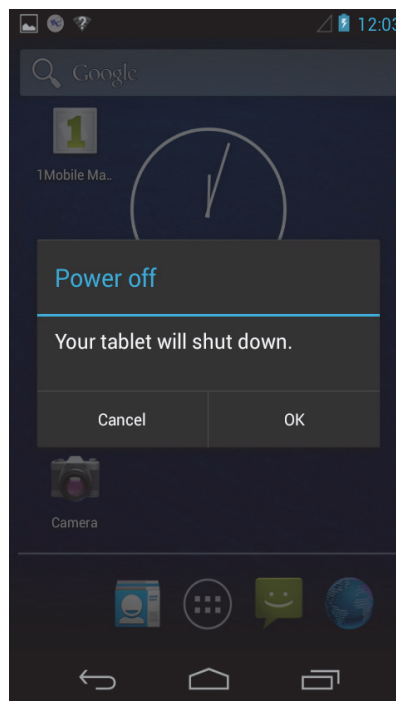
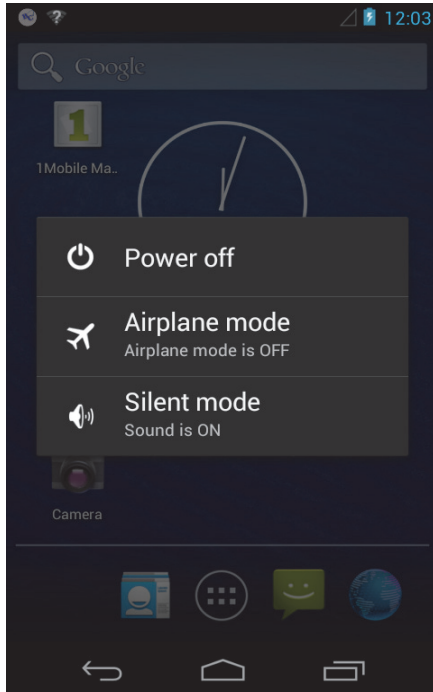
Table 11 Items on the Sentry desktop

	Description
1	The Apps icon. Touch this icon to see one or more screens that contain the icons for applications installed on the Sentry.

Stop the Sentry

Use the following steps to stop the Sentry.

- 1 Press and hold the **Start** button until the **Mode** menu appears.
- 2 Select **Power off**. The **Power off** menu appears.



- 3 Select **OK** to turn off the Sentry or select **Cancel** to return to the desktop.

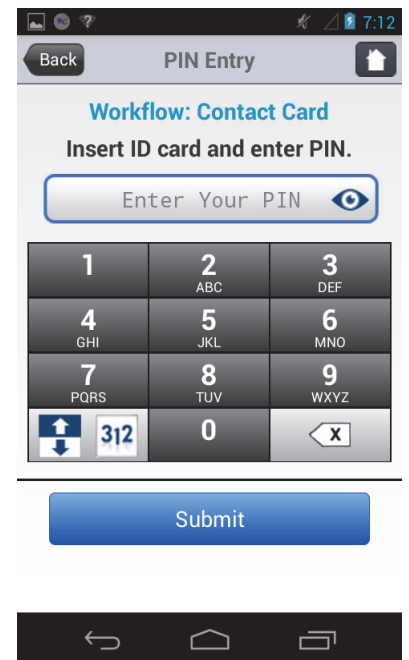
The following sections describe the procedures that the operator can do with the Sentry. The illustrations in the following procedures show a Crossmatch demonstration application. The actions for the procedures are the normal for similar applications.

- 1 Start the application.
- 2 Sign into the application
- 3 The *Home* window appears with the **Main** menu for the application displayed. The main menu for other applications can contain different selections.

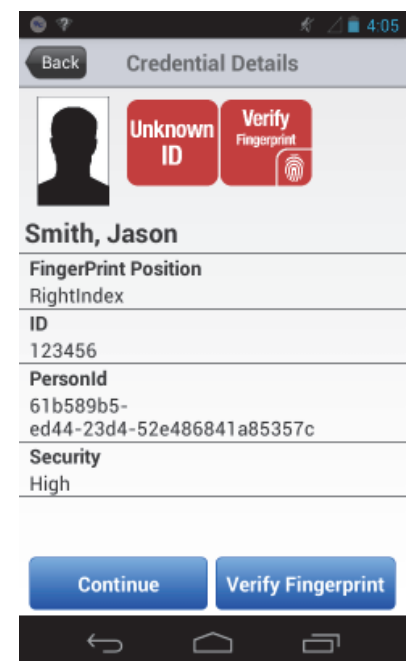
Scan a Contact Card

The following procedure shows how to scan data from a Contact card and verify the data with the Sentry. The application in the illustration is a Crossmatch demonstration application. Your application can appear different.

- 1 Start the application.
- 2 Sign into the application The *Home* window appears with the **Main** menu for the application displayed. The application in the illustration is a Crossmatch demonstration application. Your application can be different.
- 3 Touch to select **Contact Card**. The instruction to insert the card and enter a PIN appears.
- 4 Enter the PIN
- 5 Insert the card, with the picture visible, into the slot in the right-side of the Sentry. See **“The right side of the Sentry” on page 8**.
- 6 Enter the PIN.
- 7 Touch the **Submit** button.

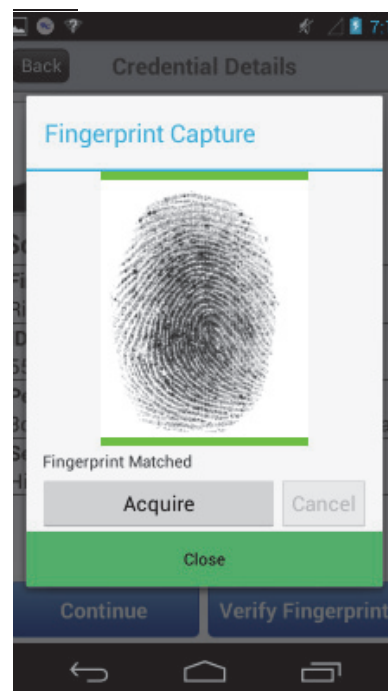


- 8 The Sentry scans the card and the application displays the data from the card on the screen. The workflow in the example application requires the operator to verify the fingerprint.



Use the Sentry

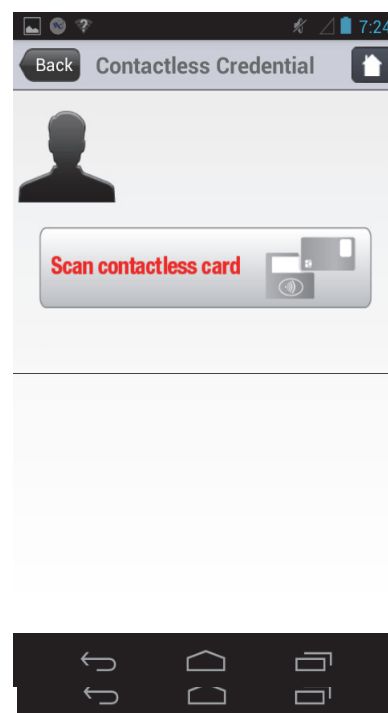
- 9 Touch the **Verify Fingerprint** button. The *Fingerprint Capture* window appears
- 10 Tell the person to press the correct finger on the platen of the Sentry. The fingerprint appears in the window. The Sentry captures the fingerprint. The application compares the fingerprint to the fingerprint stored on the card. If the fingerprint matches, a green line appears above and below the fingerprint and a message appears in the window. If the fingerprint **does not match**, a red line above and below the fingerprint and a message appears in the window.
- 11 Take the action required by the procedures for the organization.



Scan a Contactless Card

The following procedure shows how to scan the data from a Contactless card and verify the data with the Sentry. The application in the illustration is a Crossmatch demonstration application. Your application can appear different.

- 1 Touch to select **Contactless Card**. The instruction to scan the card appears.
- 2 Put the card near the Contactless Card Reader area on the back of the Sentry. See [“The back of the Sentry” on page 9](#).



- 3 The Sentry scans the card and the application displays the data from the card on the screen. If the scanner does not read the card, a message appears. The workflow requires the operator to verify the fingerprint.

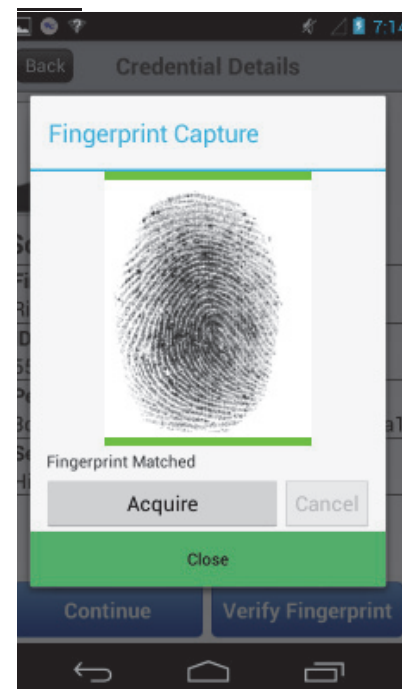


- 4 Touch the **Verify Fingerprint** button. The *Fingerprint Capture* window appears
- 5 Tell the person to press the correct finger on the platen of the Sentry. The fingerprint appears in the window. The Sentry captures the fingerprint and the application compares the fingerprint to the fingerprint stored on the card.

If the fingerprint matches, a green line appears above and below the fingerprint and a message appears in the window.

If the fingerprint **does not match**, a red line above and below the fingerprint and a message appears in the window.

- 6 Take the action required by the procedures for the organization.

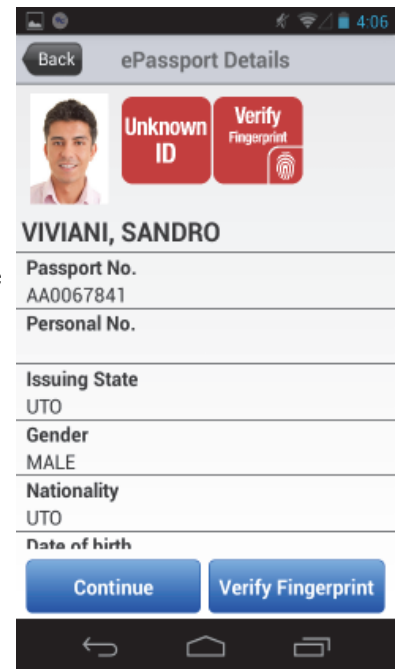


- Put the page of the passport that contains the chip near the Contactless Card Reader on the back of the Sentry. See [“The back of the Sentry” on page 9](#). The Sentry reads the chip and the application displays the data from the chip on the screen.

Note

When the application does not read the encrypted data on the chip, a message appears on the screen.

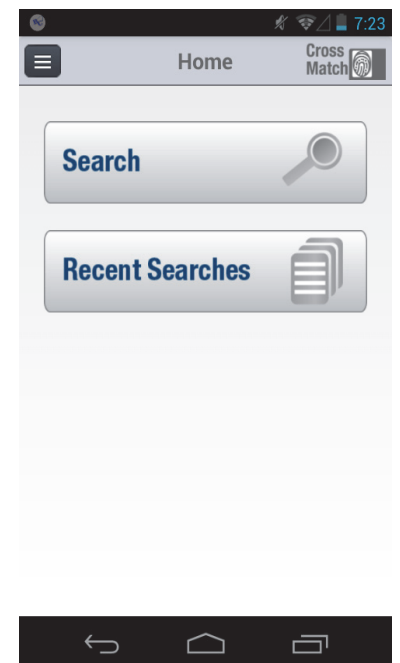
- To complete the ePassport process, the operator takes the actions described in the procedures for the organization.



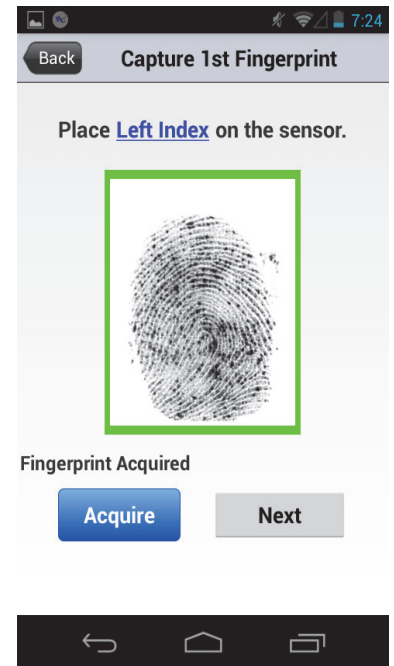
Capture and verify the biometrics

An application is required to capture and save the biometrics for comparison to database records. The following steps describe how to capture a fingerprint with a Crossmatch demonstration program. Your application can appear different. The required steps are the same.

- Start the application to capture the biometrics.
- Sign into the application. The Home window appears.
- Select **Search** to begin the fingerprint capture process.



- 4 Follow the instructions on the screen to capture the fingerprints.



- 5 Follow the procedure to capture a face photo of the person.
- 6 The demonstration application puts a box on the screen.
- 7 Put the face of the person into the box. The application captures the photo.
- 8 Touch the **Use** button. The application compares the biometrics to a database and reports the results of the comparison.
- 9 To complete the process, the operator takes the actions described in the procedures for the organization.

Capture a photograph

An application is required to capture a photograph and save the photograph in a record.

- 1 Start the Sentry.
- 2 Start the application to save the photograph.
- 3 Sign into the application.
- 4 Select the camera from the desktop.
- 5 Take the photograph.
- 6 Follow the instructions to save the photograph in the record.

Read a barcode

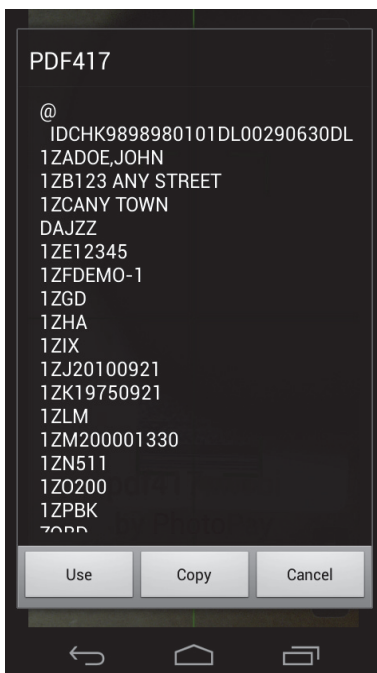
An application is required to read a barcode and save the data in a record. The application shown here is a Crossmatch demonstration application.

- 1 Start the Sentry.
- 2 Start the application to scan the barcode. The camera starts and displays red cross hairs over the image.
- 3 If more light is required, touch the button that turns on the light.

4 Adjust the Sentry to center the cross hairs in the barcode.



The cross hairs turn green and green brackets appear to frame the barcode image. The application captures the data in the barcode. The barcode information appears on the Sentry screen.



5 Follow the work flow instructions to save the barcode information.

THIS DOCUMENT DESCRIBES THE MAINTENANCE THAT THE OPERATOR CAN PERFORM ON THE SENTRY.

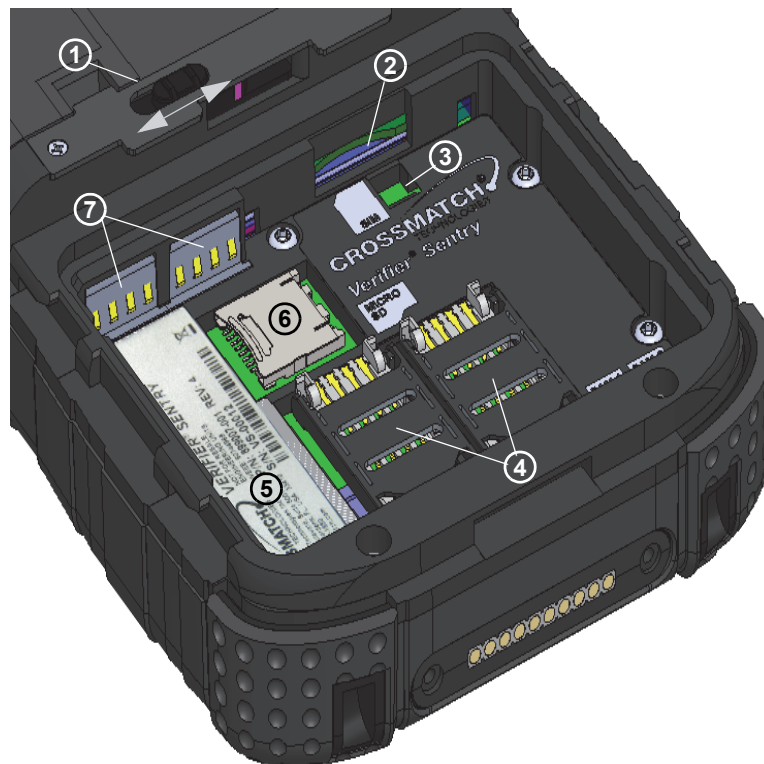


Figure 7 The Sentry battery compartment (battery removed)

Table 12 Items in the Sentry battery compartment

1	The cover latch for the battery compartment . The latch slides to release the cover. The latch automatically returns to the closed position.
2	The socket for the SIM card accepts a normal size SIM card (recommended). An adapter tray is required for smaller SIM cards.
3	The latch that indicates that the battery is installed . The battery compresses the latch and the installation is recorded in the log. When the battery is removed, the latch is released and the removal of the battery is recorded.
4	The socket for a SAM card. There are two sockets.
5	The product label for the Sentry.
6	The Micro SD card socket.
7	The battery connection points for the Sentry.

Remove the battery

Use the following procedure to remove the battery.

- 1** Press and hold the Start switch to turn off the Sentry.
- 2** Hold the Sentry with the back of the device visible.
- 3** Loosen the hand strap.
- 4** Slide and hold the latch for the cover in the open position.
- 5** Apply enough pressure to **slide the cover away from the latch until it stops**.
- 6** Release the latch and lift the cover from the Sentry.
- 7** Lift the bottom of the battery and remove the battery from the battery compartment.

Install the battery

- 1 Remove the old battery, if necessary. See **“Remove the battery”** on page 21.
- 2 Hold the battery with the label visible.
- 3 Put the connection points on the battery against the connection points (7) in the battery compartment.
- 4 Press to install the battery.
- 5 Put the cover in position over the battery compartment.

Note

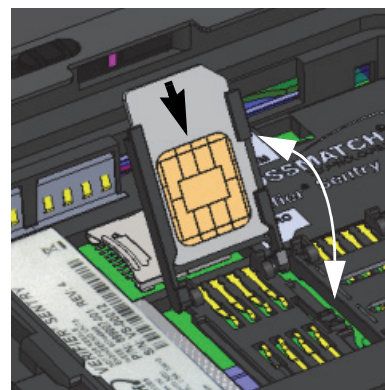
If the cover does not fit correctly over the battery compartment, check the position of the seal assembly inside the cover. The assembly must extend under the hook for the cover latch. If necessary, slide the assembly toward the hook. When in the correct position, the assembly stops.

- 6 Apply enough pressure to slide the cover toward the latch. When the cover closes, you hear the cover latch reset.
- 7 Tighten the hand strap.

Insert a SAM card

Use the following procedure to insert a SAM card. There are two SAM card connectors in the battery compartment, next to the Sentry label.

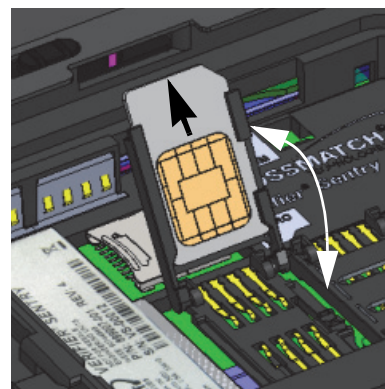
- 1 Remove the battery. See **“Remove the battery”** on page 21.
- 2 Select an empty SAM connector.
- 3 Use a fingernail to unlock and move the SAM cover toward the center of the Sentry.
- 4 Open the SAM cover until the cover stops.
- 5 Insert the SAM card into the cover. The card inserts with the chamfer on the card as shown in the illustration.
- 6 Close and lock the SAM cover.
- 7 Insert the battery. See **“Install the battery”** on page 22.



Remove a SAM card

Use the following procedure to remove a SAM card. There are two SAM card connectors in the battery compartment, next to the Sentry label.

- 1 Remove the battery. See **“Remove the battery”** on page 21.
- 2 Select SAM card to remove.
- 3 Use a fingernail to unlock and slide the SAM cover toward the center of the Sentry.
- 4 Open the SAM cover until the cover stops.
- 5 Slide the SAM card out of the cover.
- 6 Close and lock the SAM cover.
- 7 Insert the battery. See **“Install the battery”** on page 22.



Insert the SIM card

Use the following procedure to insert a SIM card into the Sentry. The SIM card connector is in the side of the battery compartment next to the battery contacts.

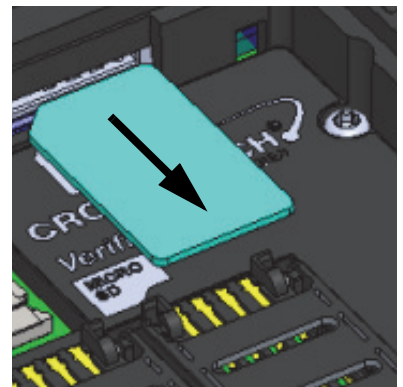
- 1 Remove the battery. See [“Remove the battery” on page 21](#).
- 2 Insert the SIM card into the SIM slot and press until the card stays in the slot.
- 3 Insert the battery. [“Install the battery” on page 22](#).



Remove the SIM card

Use the following procedure to remove a SIM card from the Sentry. The SIM card connector is in the side of the battery compartment next to the battery contacts.

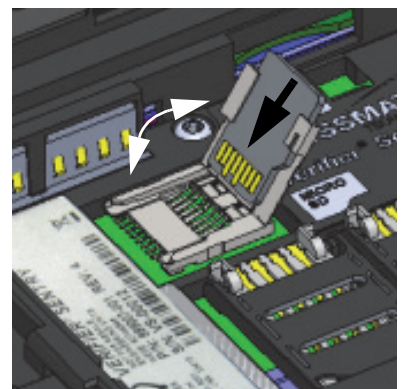
- 1 Remove the battery. See [“Remove the battery” on page 21](#).
- 2 Press the SIM card into the SIM slot until the card releases from the slot.
- 3 Remove the SIM card.
- 4 Insert the battery. See [“Install the battery” on page 22](#).



Insert the Micro SD card

Use the following procedure to insert the Micro SD card into the Sentry. The Micro SD card connector is in the floor of the battery compartment, next to the battery contacts.

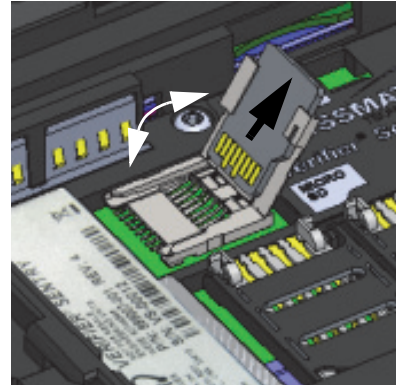
- 1 Remove the battery. See [“Remove the battery” on page 21](#).
- 2 Use a fingertip to slide the Micro SD cover toward the Sentry label and unlock the cover.
- 3 Open the cover.
- 4 Insert the Micro SD card into the cover.
- 5 Close the cover on the Micro SD card connector.
- 6 Insert the battery. See [“Install the battery” on page 22](#).



Remove the Micro SD card

Use the following procedure to remove the Micro SD card from the Sentry. The Micro SD card connector is in the floor of the battery compartment, next to the battery contacts.

- 1 Remove the battery. See **“Remove the battery” on page 21**.
- 2 Use a fingertip to slide the Micro SD cover toward the Sentry label and unlock the cover.
- 3 Open the cover.
- 4 Remove the Micro SD card.
- 5 Close and lock the cover on the Micro SD card connector.
- 6 Insert the battery. See **“Install the battery” on page 22**.



Find the Product Label

Use the following procedure to find the product label for the Sentry.

- 1 Remove the battery. See **“Remove the battery” on page 21**.
- 2 The product label is visible in the battery compartment near the two SAM card connectors.
- 3 Insert the battery. See **“Install the battery” on page 22**.

Replace the fingerprint sensor

If the fingerprint sensor must be changed, Crossmatch provides a Sensor Replacement kit. The part number of the kit is 8880125-001. The kit includes a sensor, a special tool and complete instructions to replace the sensor.

THIS CHAPTER DESCRIBES THE TECHNICAL ASSISTANCE AVAILABLE FOR THE SENTRY AND PROVIDES CONTACT INFORMATION.

Technical Support

Technical support from the Customer Care department is available for the Sentry.

E-mail

Cross Match Customer Care provides free technical support on-line during the warranty period, in the order that the requests are received.

Global
CustomerCare@crossmatch.com

If the warranty has expired, use the telephone or facsimile to contact the Customer Care department.

Telephone and facsimile

The Customer Care is available at the following telephone numbers:

Global
Monday- Friday 8 am to 6 pm EST
Customer Care Tel: 1.866.276.7761 (Toll Free) Tel: 1.561.622.9210 (International) Fax: 1.561.622.8769

Technical support is available for the Sentry during the warranty period at zero charge (see “**Warranty**” for Warranty Terms). After the warranty has expired, technical support is available at a given cost per hour. Contact the Customer Care department.

The Customer Care for the software products and the services purchased from Cross Match Technologies is not included in the warranty. The Customer Care for other products is available at a given cost to the customer.

When you contact the Customer Care department, make sure that you can provide the following information:

- Company name
- Contact person
- The Sentry serial number
- The error messages that appear on the screen

Return and repair of the Sentry

You must receive an RMA number to return the Sentry for repair or replacement. Contact the Customer Care department to request and receive an RMA number. Put the RMA number on the outside of the box and on the label.

North and South America
Cross Match Technologies, Inc. 3960 RCA Boulevard, Suite 6001 Palm Beach Gardens, Florida 33410 USA RMA: Rnnnn.nnnn

The product is sent to the correct department for service or replacement, then returned to the customer. Any product sent to Cross Match Technologies without an RMA number is returned.

Delivery costs

The product is in the warranty period

- The customer accepts all charges to send the product to Cross Match for service.
- Cross Match accepts all charges to return the product to the customer.

The product is not in the warranty period

- The customer accepts all charges.

Note

You must return a product in the original boxes. If the original boxes are not available, contact the Customer Care department for instructions.

Contact information

Corporate Headquarters

Cross Match Technologies, Inc.
3950 RCA Boulevard, Suite 5001
Palm Beach Gardens, FL 33410
USA

T: +1 (561) 622-1650

F: +1 (561) 622-9938

T: (866) 725-3926 (Toll Free)

General Mailbox: info@crossmatch.com

Sales Department: sales@crossmatch.com

Customer Care: CustomerCare@crossmatch.com

Corporate Web Page: www.crossmatch.com

THIS CHAPTER CONTAINS THE CROSSMATCH WARRANTY FOR THE SENTRY.

Warranty and Remedy

Cross Match Technologies, Inc. (Cross Match) warrants that the Cross Match Product (other than customized software) you have purchased will be free from defects in material and workmanship in normal service and under normal conditions for a period of one year from the date of shipment. Normal service and normal conditions are defined in the Product documentation. This Limited Warranty is subject to the terms and conditions set forth below.

Repair or Replacement: Unless otherwise stated herein, the sole obligation of Cross Match and your exclusive remedy and recourse under this Limited Warranty is for Cross Match, at its sole election, to either (i) repair the suspected defective Product and return the same to you or (ii) replace the suspected defective Product, all on the terms set forth below. The repair or replacement will provide you with a Product which, in Cross Match's opinion, performs consistently with its age and usage.

If you become aware that your Cross Match Product is defective in material or workmanship in normal service and under normal conditions during its one year Limited Warranty period, then you must promptly contact Cross Match's Customer Care Center, describe the suspected defect in detail and request a Return Merchandise Authorization (RMA) number prior to sending the affected Product for repair or requesting a replacement product. Please see your product manual for more information on RMA's. You will pay the freight to send the Product to Cross Match's designated Service Center, and Cross Match will pay the freight to return the repaired Product to you. Each repaired or replacement Product is warranted (as set forth herein) for the remaining portion of the original one year Limited Warranty.

THE FOREGOING CONSTITUTES YOUR SOLE AND EXCLUSIVE REMEDY AND CROSS MATCH'S SOLE AND EXCLUSIVE LIABILITY IN CONNECTION WITH YOUR CROSS MATCH PRODUCT, AND IS IN LIEU OF ANY AND ALL OTHER REMEDIES WHICH MAY BE AVAILABLE TO YOU.

Limitations

This limited warranty does not cover visits to repair the Cross Match product at your premises, or the commissioning of the Product on site. This Limited Warranty is not a warranty, guarantee or promise that your Cross Match Product will conform to its specification or will not fail. Some defects and failures are not covered.

Cross Match shall incur no liability under this Limited Warranty and this Limited Warranty is voidable by Cross Match if in Cross Match's sole reasonable opinion: (a) the Product is used other than under normal use and under proper environmental and/or electrical conditions, as specified in the Product manual; (b) the Product is not maintained as specified in the Product manual; (c) the Product is subject to abuse, misuse, neglect, accident, flooding, storm, lightning, power surges, dirty power, third-party errors or omissions, or acts of God; (d) the Product is modified or altered (unless expressly authorized in writing by Cross Match); (e) the Product is installed or used in combination or in assembly with products not supplied or authorized by Cross Match; (f) there is a failure to follow specific restrictions or operating instructions; or (g) payment for the Product has not been timely made.

This Limited Warranty includes software "updates" (a revision or minor change to a Product intended to correct defects and provided as a change in the then current release of the Product). Software updates may be made from time to time in Cross Match's sole discretion. This Limited Warranty does not cover software "upgrades" (a revision to a Product that adds new enhancements and functionality resulting in a new release of the Product) or any software product or interface customized by Cross Match to meet Purchaser's specific requirements or Purchaser furnished equipment or software. Software upgrades may be available for purchase from time to time at Cross Match's then current published prices.

This Limited Warranty does not provide additional hardware or computing platform software or its installation when required by Cross Match software supplied hereunder. If required, these may be obtained from Cross Match at the published prices in effect at such time.

The Limited Warranty does not cover nondurable consumable items including, but not limited to, batteries, paper, silicon pads, cleaning solution, towels, printer cartridges and cables. Replacement supplies of these items may be ordered by contacting Cross Match Sales at 866-725-3926. This Limited Warranty does not cover third party peripheral equipment (such as laptops and printers) that are not provided by Cross Match.

Cross Match's obligations hereunder are contingent upon your providing the Product serial number as proof-of-purchase, and upon Cross Match's determination that the suspected malfunction is actually due to defects in material or workmanship.

THIS LIMITED WARRANTY IS IN LIEU OF ALL OTHER WARRANTIES RELATED TO THE CROSS MATCH PRODUCT, WHETHER EXPRESS, IMPLIED, OR STATUTORY, INCLUDING THE WARRANTIES OF MERCHANTABILITY AND FITNESS FOR A PARTICULAR PURPOSE, ALL OF WHICH ARE HEREBY EXPRESSLY DISCLAIMED BY CROSS MATCH. THIS LIMITED WARRANTY IS NOT TRANSFERABLE OR ASSIGNABLE TO ANY THIRD PARTY AND SHALL BE FOR THE SOLE AND EXCLUSIVE BENEFIT OF THE ORIGINAL PURCHASER OF THE CROSS MATCH PRODUCT COVERED HEREUNDER; ANY ATTEMPTED TRANSFER OR ASSIGNMENT HEREOF SHALL BE VOID AB INITIO.

Cross Match reserves the right to improve/modify products at any time, at its sole discretion, as it deems necessary.

Out-of-Warranty Repairs

When warranty coverage for your Cross Match Product lapses, or for repairs or replacements not covered by Cross Match's warranty, (i) you will pay for all repairs at Cross Match's then-prevailing hourly labor rate (with a one hour minimum) plus parts and shipping, (ii) you will pay Cross Match's then-current price for all replacement Products plus shipping, and (iii) you will pay Cross Match's then-prevailing hourly labor rate (with a one hour minimum after the first 15 minutes) for telephone support in 15 minute increments.

To obtain out-of-warranty service, you must obtain an RMA number and send the affected Product, at your expense, to the designated Cross Match Service Center for inspection. You will be contacted with an estimated price and time of repair or replacement after analysis. No repairs or replacements will be made until Cross Match receives a Purchase Order or credit card number from you. You shall pay return freight charges, which will be added to the invoice, for the return of the repaired Product or replacement Product.

In the event you decide not to have a unit repaired or replaced after receiving a repair estimate, there will be a one hour labor charge at the prevailing hourly rate for evaluation plus return freight charges.

At your request, Cross Match will, for a premium, ship a refurbished unit to you in exchange for the failed unit. Cross Match will contact you with a price for the exchange after receipt of the failed unit. The shipment will be made when Cross Match receives a Purchase Order or credit card number from you. You will pay return freight charges, which will be added to the invoice, for the exchange unit. The original returned Product will become the property of Cross Match and will not be returned to you. The refurbished unit will retain the remaining warranty term of the original returned Product.

- A**
alignment slots for the docking station **9, 10**
applications **2**
attachment bars for the hand strap **9**
Auto Capture™ **1**
- B**
back of the Sentry **9**
battery compartment cover **9**
battery cover release latch **9**
battery disposal **3**
bezel cover release **10**
biometric / credential capture **2**
bluetooth **1**
bottom attachment for the hand strap **10**
bottom of the Sentry **10**
button to decrease the volume **8**
- C**
camera and camera lens **9**
capture a photograph **17, 18**
capture and verify the biometrics **17**
change the battery **21**
charge light **6**
charge point **7**
company
 sales number **26**
contact card slot **8**
contact information **26**
 corporate headquarters **26**
contactless card reader **9**
corporate headquarters **26**
corporate web page **26**
Cross Match WEEE registration number **3**
- D**
data connection for an accessory **7**
delivery costs **26**
desktop for the Sentry **11**
device endpoint **7**
docking station alignment slots **9**
docking station connection **10**
- E**
e-mail **25**
e-mail, *see* **contact information**
- F**
FCC statement **2**
flat fingerprints **1**
flats **1**
freight guidelines **26**
 not under warranty **26**
 under warranty **26**
front of the Sentry **6**
- G**
glossary **1**
- Auto Capture™ **1**
bluetooth **1**
flat fingerprint **1**
GPS **1**
USB 2.0 **1**
user **1**
Wi-Fi **1**
- H**
hand strap attachment **10**
help **25**
 technical **25**
how this book is arranged **1**
how to use the Sentry **11, 21, 25, 27**
- I**
Industry Canada statement **3**
insert a micro sd card **23**
insert a sam card **22**
insert a simm card **23**
insert the Micro SD card **23**
insert the SIM card **23**
install the battery **22**
- L**
left side of the Sentry **7**
licenses **3**
 the Cellular License information for Gemalto M2M GmbH **3**
 Wi-Fi/Bluetooth License from LS Research **3**
light source for the bar code reader **9**
- M**
microphone **6**
- N**
not under warranty **26**
- O**
out-of-warranty repairs **28**
- P**
photo light source **9**
platen **1**
platen bezel **10**
platen surface **6**
product in warranty period **26**
product label for the Sentry **24**
product not in warranty period **26**
- R**
read a barcode **18**
read a contact card **18**
read an epassport **16**
recycling information **3**
remove a SAM card **22**
remove the battery **21**
remove the Micro SD card **24**

remove the SIM card **23**
return and repair of the Avenger **26**
returns and repair **26**
right side of the Sentry **8**
right side of the sentry **8**
rma number **26**

S

scan a contact card **13**
scan a contactless card **14**
Sentry
 attachment for the hand strap **10**
 back **9**
 battery compartment cover **9**
 bezel around the platen **10**
 bottom **10**
 bottom attachment for the hand strap **10**
 button to decrease the volume **8**
 button to increase the volume **8**
 camera and camera lens **9**
 capture a photograph **18**
 capture and verify the biometrics **17**
 charge light **6**
 charge point **7**
 connection point for the optional docking station **10**
 cover for the battery compartment **9**
 data connection for an accessory **7**
 desktop **11**
 docking station alignment slots **10**
 front **6**
 left side **7**
 light source for photos **9**
 light source for the bar code reader **9**
 microphone **6**
 platen surface **6**
 read a barcode **18**
 reader for a contactless card **9**
 release for the bezel cover **10**
 release latch for the battery cover **9**
 right side **8**
 scan a contact card **13**
 scan a contactless card **14**
 slot for a contact card **8**
 speaker **6**
 start **11**

start button **8**
tasks **25, 27**
top **10**
touch screen **6**
USB connector **7**
USB connector cover **7**

speaker **6**
specifications **2**
standards **1**
start button **8**
start the Sentry **11**
supplies **26**

T

tasks with the Sentry **25, 27**
technical help **25**
technical support **25**
 e-mail
 returns and repair **26**
 telephone and fax **25**
telephone and facsimile **25**
terms
 platen **1**
top of the Sentry **10**
touch screen **6**

U

under warranty **26**
USB 2.0 **1**
USB connector **7**
USB connector cover **7**
user **1**

V

volume buttons **8**

W

warranty
 limitations **27**
 out-of-warranty repairs **28**
web page **26**
WEEE directive **3**
WEEE registration number **3**
WiFi **1**