

# Verifier<sup>®</sup> Sentry

## Operator Manual



Crossmatch™

Verifier® Sentry

Operator Manual

Part Number 870391 V1.2

© Copyright, 2015 Cross Match Technologies, Inc. All rights reserved. Specifications are subject to change without prior notice. Verifier Sentry is a registered trademark, and Crossmatch is a trademark, of Cross Match Technologies, Inc. All other trademarks are the property of their respective owners. No portion of this guide may be reproduced in any form without the express written permission of Cross Match Technologies, Inc.

## Introduction

How this book is arranged .....	1
Standards .....	1
Glossary .....	2
Specifications for the Sentry .....	2
Accessories for the Sentry .....	3
FCC Statement .....	3
RF Exposure Requirements .....	3
Industry Canada .....	3
Certification identifiers for wireless modules .....	4
Recycling information .....	4
Battery Replacement .....	4
Battery disposal .....	4
WEEE Directive .....	5

## Description

The front of the Sentry .....	8
The left side of the Sentry .....	9
The right side of the Sentry .....	10
The back of the Sentry .....	11
The top of the Sentry .....	12
The bottom of the Sentry .....	12

## Use the Sentry

Start the Sentry .....	13
Stop the Sentry .....	14
Scan a Contact Card .....	15
Scan a Contactless Card .....	16
Capture and verify the biometrics .....	18
Capture a photograph .....	19

## Maintenance

Remove the battery .....	21
Install the battery .....	22
Insert a SAM card .....	22
Remove a SAM card .....	22
Insert the SIM card .....	23
Remove the SIM card .....	23
Insert the Micro SD card .....	23
Remove the Micro SD card .....	24
Find the Product Label .....	24
Replace the fingerprint sensor .....	24

## Customer Care

Technical Support .....	25
-------------------------	----

# Contents

<b>E-mail .....</b>	<b>25</b>
<b>Telephone and facsimile .....</b>	<b>25</b>
<b>Return and repair of the Sentry .....</b>	<b>26</b>
<b>Delivery costs .....</b>	<b>26</b>
<b>Contact information .....</b>	<b>26</b>

## **Warranty**

<b>LIMITED WARRANTY .....</b>	<b>27</b>
-------------------------------	-----------

## **Index**

<b>Figure 1:</b> The front of the Sentry .....	8
<b>Figure 2:</b> The left side of the Sentry .....	9
<b>Figure 3:</b> The right side of the Sentry .....	10
<b>Figure 4:</b> The back of the Verifier <sup>®</sup> Sentry .....	11
<b>Figure 5:</b> The top of the Verifier <sup>®</sup> Sentry .....	12
<b>Figure 6:</b> The bottom of the Verifier <sup>®</sup> Sentry .....	12
<b>Figure 7:</b> The Sentry battery compartment (battery removed) .....	21





<b>Table 1:</b> Glossary .....	2
<b>Table 2:</b> Specifications .....	2
<b>Table 3:</b> Biometric / Credential Capture .....	2
<b>Table 4:</b> Applications .....	3
<b>Table 5:</b> Accessories .....	3
<b>Table 6:</b> The front of the Sentry .....	8
<b>Table 7:</b> The left side of the Sentry .....	9
<b>Table 8:</b> The right side of the Sentry .....	10
<b>Table 9:</b> The back of the Sentry .....	11
<b>Table 10:</b> The top of the Verifier <sup>®</sup> Sentry .....	12
<b>Table 11:</b> The bottom of the Verifier <sup>®</sup> Sentry .....	12
<b>Table 12:</b> Items on the Sentry desktop .....	13
<b>Table 13:</b> Items in the Sentry battery compartment .....	21



## How this book is arranged

---

- “**Introduction**” describes this book and its contents.
- “**Description**” describes the Verifier<sup>®</sup> Sentry and its features. You learn how to start the device.
- “**Use the Sentry**” describes how to use the Verifier<sup>®</sup> Sentry to capture the biometric information.
- “**Maintenance**” how to perform normal maintenance on the Verifier<sup>®</sup> Sentry.
- “**Customer Care**” contains the information about technical assistance for the Verifier<sup>®</sup> Sentry and lists the contact numbers for Crossmatch.
- “**Warranty**” contains the Crossmatch warranty for the Verifier<sup>®</sup> Sentry.

## Standards

---

The following standards are used in this book:

- **Bold UPPERCASE** text, **bold lowercase** text or *tilted* text identify important information. Special information can appear in a Note, Caution or Warning.

### Note

A **Note** contains additional information. To ignore a note can cause a delay, There is no mechanical damage or personal injury.

### Caution

A **Caution** contains a method to prevent the loss of data or damage to equipment.

### Warning

A **Warning** indicates that the loss of data or personal injury can occur.

## Glossary

Table 1 Glossary

Term	Definition
<b>3G</b>	The third generation of cellular mobile phone and data communication standards, featuring higher bandwidth for web-based applications and video.  <b>Note</b> In the Sentry, the 3G cellular modem transmits <b>data</b> . The Sentry does <b>not</b> transmit voice.
<b>Auto Capture</b>	A Crossmatch technology that captures an acceptable fingerprint without action from the user.
<b>Bluetooth</b>	A short-range radio technology that makes easy the following types of communications: <ul style="list-style-type: none"> <li>• The communications between internal devices</li> <li>• The communications between devices and the Internet</li> <li>• The synchronization of data between internal devices and other computers</li> </ul>
<b>Flat fingerprint</b>	A name for a fingerprint captured with the fingertip pressed on the platen. The Sentry captures flat fingerprints.
<b>GPS</b>	The Global Positioning System of satellites that can accurately find a GPS transceiver.
<b>Platen</b>	The surface where you put the fingers to capture the fingerprints.
<b>USB</b>	The Universal Serial Bus (USB) is a standard method to connect electronic devices.
<b>User</b>	The user captures the biometric and personal information. Another name is the <b>operator</b> .
<b>Wi-Fi</b>	Wireless local area network technology using the 802.11 standard. The Verifier Sentry can not be the access point for a Wi-Fi hotspot. One network connection (Wi-Fi or Cellular) is allowed. When the primary connection is active, the secondary connection is not active

## Specifications for the Sentry

Table 2 Specifications

Category	Description
<b>Main Processor</b>	ARM® Cortex-A9™ based iMX6 by Freescale™
<b>Operating System</b>	Android® 4.2.2
<b>Memory</b>	8GB Storage + 1GB DDR RAM; Internal eMMC slot to expand memory
<b>Weight</b>	4lbs (630g)
<b>Dimensions</b>	7 in (208 mm) by 3.7 in (94 mm) by 1.25in (32 mm)
<b>Operating Temperature</b>	14°F to 122 °F (-10 °C to 50 °C)
<b>Humidity Range</b>	10% to 90% non-condensing; Splash-resistant, IP65
<b>Power</b>	Removable battery, 8-hour operation
<b>Ruggedized standards</b>	MIL-STD-810G
<b>External interfaces</b>	USB-OTG (On The Go), Docking Station and Accessory.
<b>Wireless Communications</b>	Bluetooth® 4.0, Wireless LAN 802.11b/g/n; Cellular Connectivity 3G
<b>Display</b>	4.3 in, 800x480 WVGA display with projective capacitive touch panel

Table 3 Biometric / Credential Capture

Category	Description
<b>Fingerprint</b>	500 ppi, FAP 30 PIV-certified single finger sensor

Table 3 Biometric / Credential Capture

Category	Description
Camera	5MP Auto Focus, Auto Flash
Smart Card (contact or contactless)	ISO / IEC 7801 (CAC, PIV, TWIC, 14443-A, 14443-B, 15693, NFCIP-1, NFCIP-2, MIFARE, FeliCa)

Table 4 Applications

Category	Description
SDK's	Verifier Sentry Essentials

## Accessories for the Sentry

---

Table 5 Accessories

Accessory	Description
Docking Station	The Docking Station can charge two batteries, one in the Sentry and one in the battery charger compartment. The docking station has one Ethernet connector and four USB connectors.

## FCC Statement

---

FCC ID#: Q9YSENTRY1

This device has been tested and found to comply with the limits for a Class A digital device, pursuant to Part 15 of the FCC Rules. These limits are designed to provide reasonable protection against harmful interference when the equipment is operated in a commercial environment. This equipment generates, uses, and can radiate radio frequency energy and, if not installed and used in accordance with the instruction manual, may cause harmful interference to radio communications. Operation of this equipment in a residential area is likely to cause harmful interference in which case the user will be required to correct the interference at this own expense.

Operation is subject to the following two conditions: (1) This device may not cause harmful interference, and (2) This device must accept any interference received, including interference that may cause undesired operation.

### FCC RF exposure requirements:

**Warning:** Changes or modifications not expressly approved by the manufacturer, could void the user's authority to operate the equipment.

## RF Exposure Requirements

---

This mobile device meets the FCC, CE and IC radio frequency (RF) exposure requirements for the hand held use case. When this device is not being held in the hand, it is recommended to be carried only in a Crossmatch-supplied carry holster; otherwise, the device should be separated from the body by a distance of at least 2.5cm (1 inch).

## Industry Canada

---

IC: 7944B-SENTRY1

This device complies with Industry Canada license-exempt RSS standard(s). Operation is subject to the following two conditions: (1) this device may not cause interference, and (2) this device must accept any interference, including interference that may cause undesired operation of the device.

“Le présent appareil est conforme aux CNR d’Industrie Canada applicables aux appareils radio exempt de licence. L’exploitation est autorisée aux deux conditions suivantes: (1) l’appareil ne doit pas produire de brouillage, et (2) l’utilisateur de l’appareil doit accepter tout brouillage radioélectrique subi, même si le brouillage est susceptible d’en compromettre le fonctionnement.”

## Certification identifiers for wireless modules

---

Wi-Fi/Bluetooth : TiWi-BLE

FCC ID: Q9YSENTRY2

IC ID: 7944B-SENTRY2

GSM Data: PHS8-P

(USA) FCC ID#: Q9YSENTRY3

(Canada) IC ID#: 7944B-SENTRY3

CDMA Data: PVS8

(USA) FCC ID#: Q9YSENTRY4

## Recycling information

---

Crossmatch recommends that customers dispose of their used computer hardware, monitors, printers and other peripherals in an environmentally sound manner. Potential methods include reuse of parts or whole products and recycling products, components and/or materials.



## Battery Replacement

---

Battery replacement - Replace battery with Crossmatch Technologies part number 900443 only. Use of another battery may present a risk of fire or explosion.

### Caution

The battery used in this device may present a risk of fire or chemical burn if mistreated. Do not disassemble, heat above 70 degrees Celsius, or incinerate. Replace battery with Crossmatch Technologies part number 900443 only. Use of another battery may present a risk of fire or explosion.

Replace battery according to the instructions in Sentry manual maintenance section. Dispose of used battery promptly. Keep away from children. Do not disassemble and do not dispose of in fire.

## Battery disposal

---

Batteries should be recycled in accordance with the laws governed by your Country, State or County.

In the US, please refer to the EPA guidelines for guidelines for the disposal of hazardous waste material at <http://www.epa.gov/epawaste/hazard/index.htm>.

Take batteries to your local Hazardous Waste Collection Facility for disposal. To find the nearest recycling facility in the US, go to <http://earth911.com> and enter your postal ZIP code.

- DO NOT EXPOSE TO FIRE OR HIGH TEMPERATURES (140 °F/60 °C)

• DO NOT DISASSEMBLE • DO NOT SHORT THE TERMINALS

## WEEE Directive

---



The following is the text of the Waste Electrical and Electronic Equipment (WEEE) Directive.

In the European Union, this label indicates that this product should not be disposed of with household waste. It should be deposited at an appropriate facility to enable recovery and recycling.

The **Crossmatch WEEE Registration number** is 60744969.







# Description

THIS CHAPTER DESCRIBES THE VERIFIER<sup>®</sup> SENTRY AND THE FEATURES THAT YOU CAN USE TO CAPTURE THE BIOMETRIC INFORMATION.



The Verifier<sup>®</sup> Sentry is a portable identification and verification device that provides many methods to capture personal and biometric information. Strong design, small size and light weight makes the device easy to use in the field. The device can scan CAC/PIV, Contact and Contactless smart cards.

## The front of the Sentry



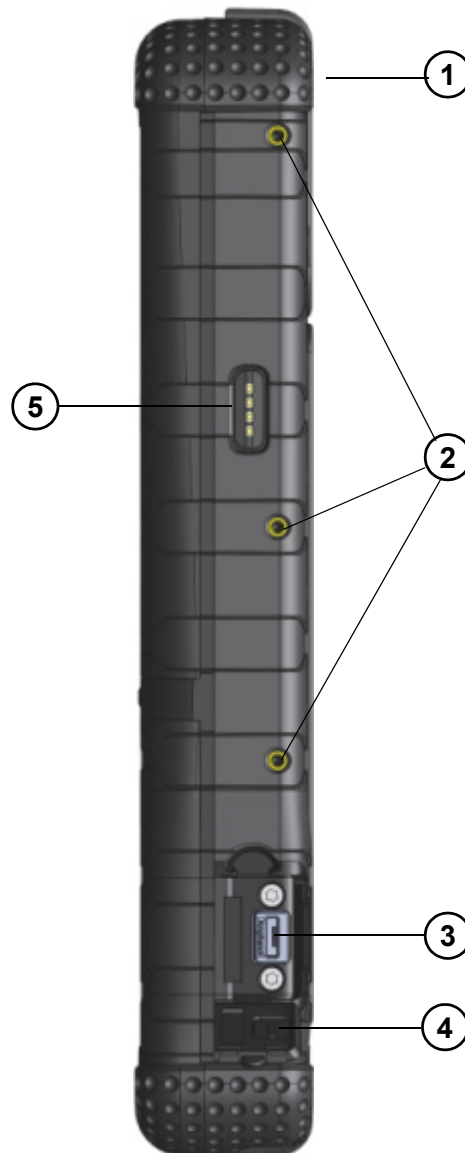
**Figure 1** The front of the Sentry

The front of the Sentry contains the features that allow the operator to monitor the state of the device. The following table describes the features.

**Table 6** The front of the Sentry

	Description
1	The finger is pressed on the <b>platen surface</b> to capture the fingerprint.
2	The <b>speaker</b> .
3	The Capacitive <b>Touch Screen</b> is sensitive to contact by a finger or a capacitive stylus.
4	When the battery accepts a charge, the <b>Charge indicator</b> illuminates. <ul style="list-style-type: none"> <li>• <b>A Red light</b> indicates 500 mA of electricity is supplied to the Sentry. This current the amount required to operate the Sentry, but less than the amount required to charge the Sentry.</li> <li>• <b>An Amber light</b> indicates 1500 mA of electricity is supplied to the Sentry.</li> <li>• <b>A Green light</b> indicates the Sentry is supplied the correct amount of electricity by the Docking Station. This arrangement allows the device to operate and accept the fastest rate of charge.</li> </ul>
5	The <b>microphone</b> .
6	The <b>Status indicator</b> . The Android hardware API controls this LED.

## The left side of the Sentry



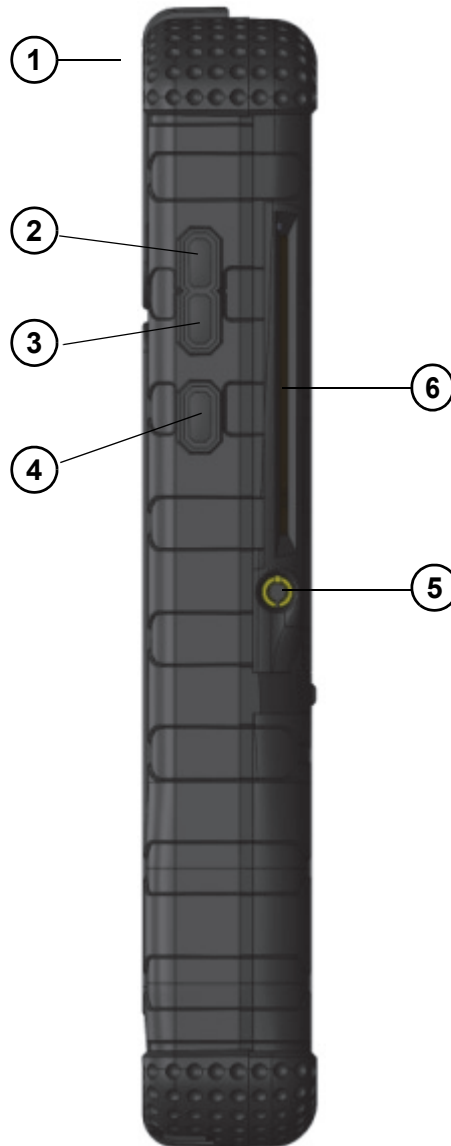
**Figure 2** The left side of the Sentry

The following table describes the left side of the Sentry.

**Table 7** The left side of the Sentry

	Description
1	The top-end of the Verifier <sup>®</sup> Sentry.
2	The mounting points for accessories.
3	During normal operation, this port allows the Sentry to be a memory or camera device to a host computer. When the <b>On The Go (OTG) adapter</b> is used, the <b>USB connector</b> allows the Sentry to be a host computer for an external USB device. The connector can be a charge point. When connected to a laptop, the connector is a device endpoint.
4	The attached cover for the USB connector is shown open.
5	This is the data connection for an accessory.

## The right side of the Sentry



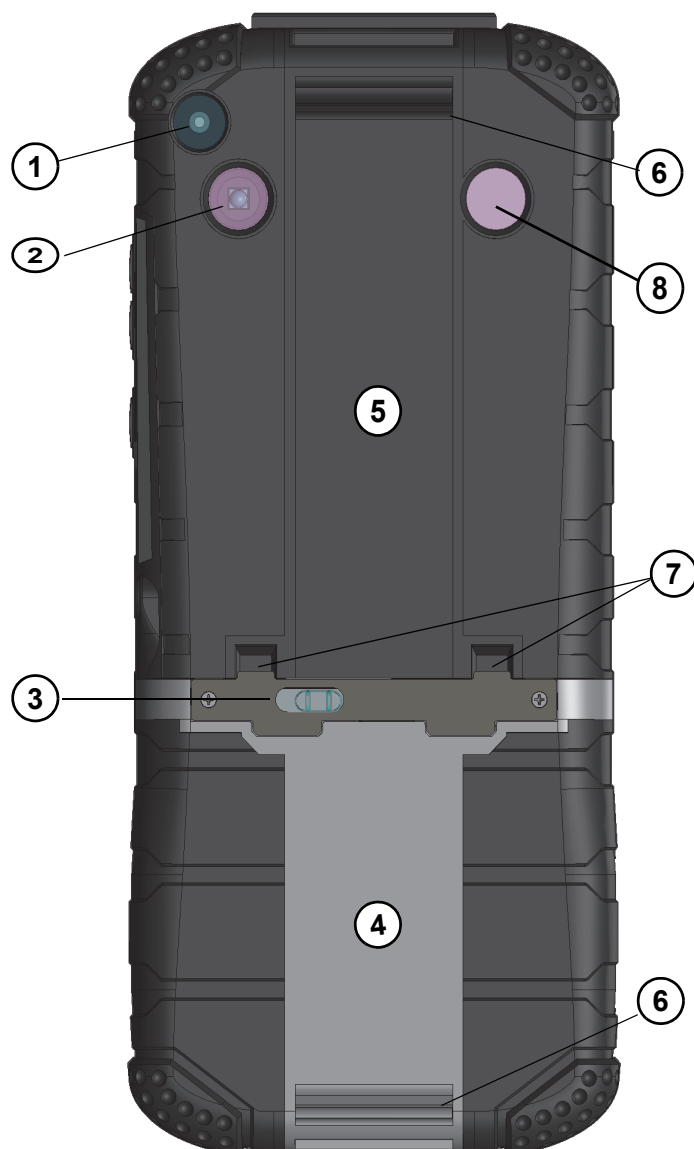
**Figure 3** The right side of the Sentry

The following table describes the features on the right side of the Sentry.

**Table 8** The right side of the Sentry

	Description
1	The top-end of the Verifier <sup>®</sup> Sentry.
2	The button to increase the output from the speaker or from the earphones.
3	The button to decrease the output from the speaker or from the earphones.
4	The Start button.
5	The connection point for earphones and a microphone. The jack is one eighth of an inch in diameter.
6	The slot for a contact card. An application is required to display the data on the screen. When the operator inserts the card, the gold contacts on the top surface of card must be visible. See <a href="#">“Scan a Contact Card” on page 15.</a>

## The back of the Sentry



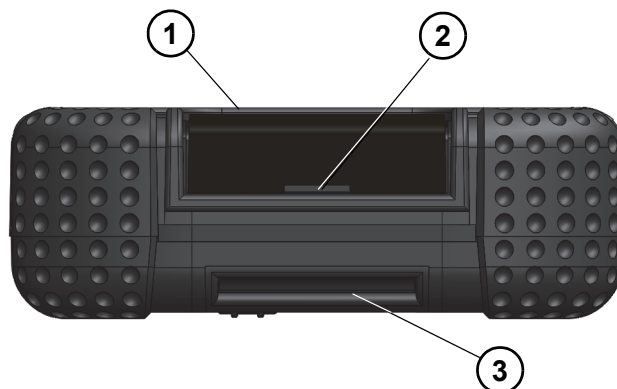
**Figure 4** The back of the Verifier® Sentry

The following table describes the features on the back of the Sentry.

**Table 9** The back of the Sentry

Description	
1	The camera and camera lens.
2	The optional auxiliary light source
3	The release latch for the battery cover.
4	The cover for the battery compartment.
5	Contactless card Reader area. <b>The card can be outside the hand strap.</b> See <a href="#">“Scan a Contactless Card”</a> on page 16.
6	The attachment bars for the hand strap.
7	Alignment slots for the docking station.
8	The <b>photo light source</b> provides illumination for photos captured with the camera. The <b>light</b> is disabled until the camera is enabled.

## The top of the Sentry



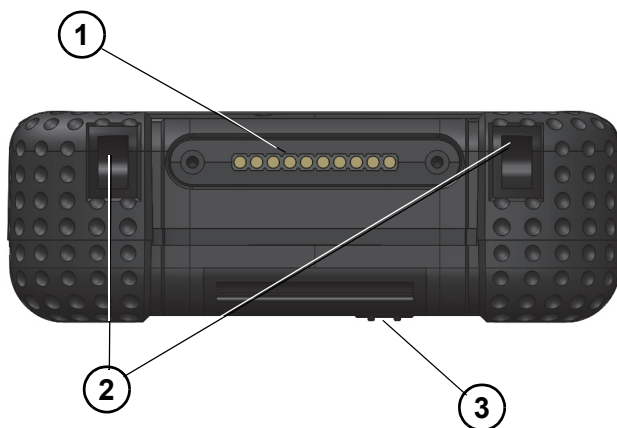
**Figure 5** The top of the Verifier® Sentry

The following table explains the features on the top of the Verifier® Sentry.

**Table 10** The top of the Verifier® Sentry

Description	
1	The bezel around the platen.
2	The slot allows a tool provided by Crossmatch to release the sensor from the Verifier® Sentry. See <a href="#">“Replace the fingerprint sensor” on page 24.</a>
3	The top attachment bar for the hand strap. The hand strap is not shown.

## The bottom of the Sentry



**Figure 6** The bottom of the Verifier® Sentry

The following table describes the features of the bottom of the device.

**Table 11** The bottom of the Verifier® Sentry

Description	
1	The connection point for the optional docking station.
2	Two slots that fit over two tabs on the optional docking station to correctly align the Verifier® Sentry.
3	The bottom attachment bar for the hand strap.

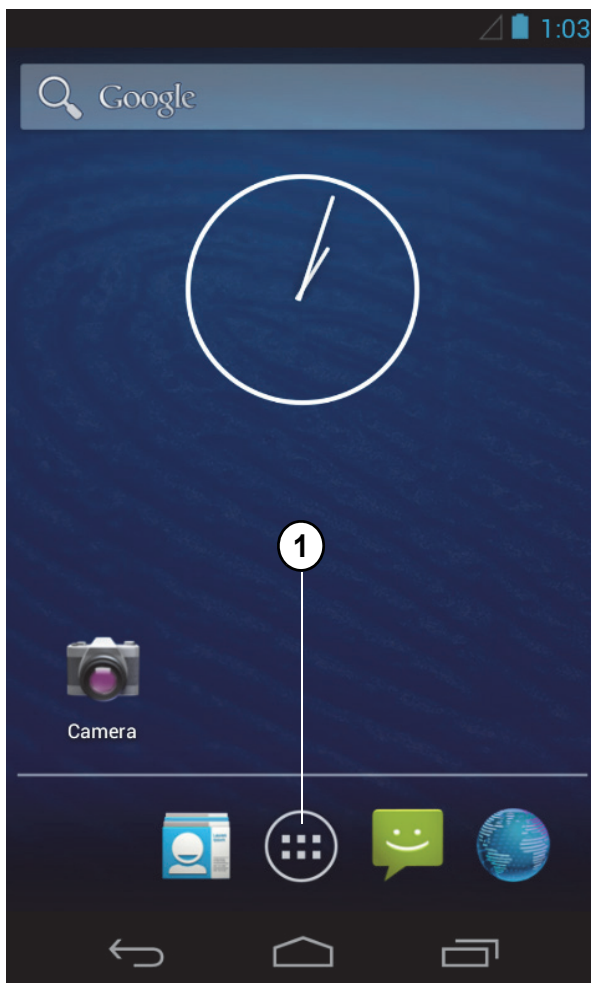
# Use the Sentry

THIS CHAPTER DESCRIBES HOW TO START AND STOP THE SENTRY. THE CHAPTER ALSO DESCRIBES THE TASKS THE OPERATOR CAN PERFORM WITH THE SENTRY.

## Start the Sentry

Follow the procedure to turn on the Sentry.

- 1 Press and hold the **Start** button. The **Status indicator** illuminates.
- 2 Release the **Start** button. The start sequence begins. The Sentry desktop appears. The Sentry is started.



The illustration shows the Sentry desktop. The desktop is a normal Android desktop. A tutorial is available on the Internet for the Android JB operating system.

**Table 12** Items on the Sentry desktop

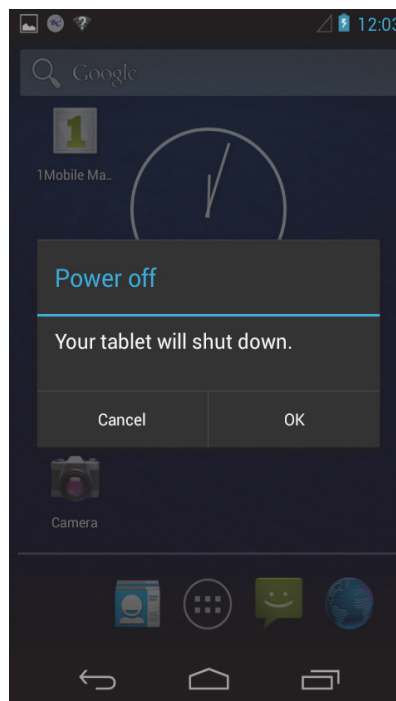
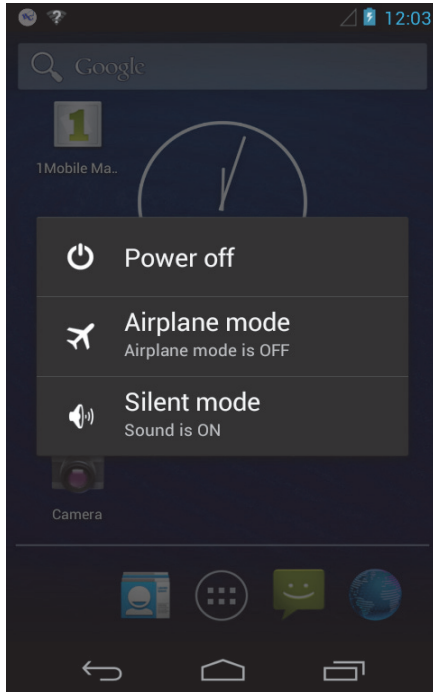
	Description
1	The <b>Apps</b> icon. Touch this icon to see one or more screens that contain the icons for applications installed on the Sentry.

## Stop the Sentry

---

Use the following steps to stop the Sentry.

- 1 Press and hold the **Start** button until the **Mode** menu appears.
- 2 Select **Power off**. The **Power off** menu appears.



- 3 Select **OK** to turn off the Sentry or select **Cancel** to return to the desktop.

The following sections describe the procedures that the operator can do with the Sentry. The illustrations in the following procedures show a Crossmatch demonstration application. The actions for the procedures are the normal for similar applications.

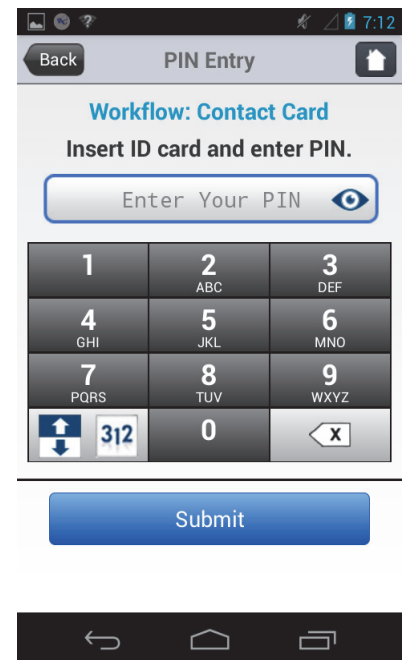
- 1 Start the application.
- 2 Sign into the application
- 3 The *Home* window appears with the **Main** menu for the application displayed. The main menu for other applications can contain different selections.



## Scan a Contact Card

The following procedure shows how to scan data from a Contact card and verify the data with the Sentry. The application in the illustration is a Crossmatch demonstration application. Your application can appear different.

- 1 Start the application.
- 2 Sign into the application The *Home* window appears with the **Main** menu for the application displayed. The application in the illustration is a Crossmatch demonstration application. Your application can be different.
- 3 Touch to select **Contact Card**. The instruction to insert the card and enter a PIN appears.
- 4 Enter the PIN
- 5 Insert the card, with the picture visible, into the slot in the right-side of the Sentry. See **“The right side of the Sentry” on page 10**.
- 6 Enter the PIN.
- 7 Touch the **Submit** button.

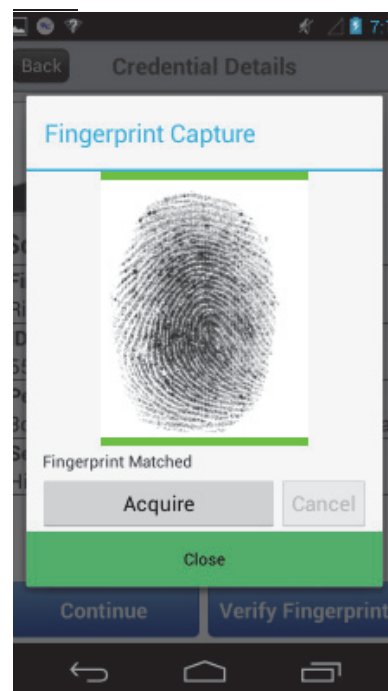


- 8 The Sentry scans the card and the application displays the data from the card on the screen. The workflow in the example application requires the operator to verify the fingerprint.



# Use the Sentry

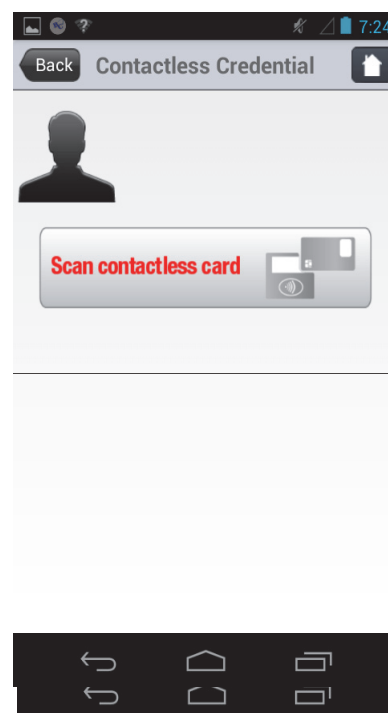
- 9 Touch the **Verify Fingerprint** button. The *Fingerprint Capture* window appears
- 10 Tell the person to press the correct finger on the platen of the Sentry. The fingerprint appears in the window. The Sentry captures the fingerprint. The application compares the fingerprint to the fingerprint stored on the card. If the fingerprint matches, a green line appears above and below the fingerprint and a message appears in the window. If the fingerprint **does not match**, a red line above and below the fingerprint and a message appears in the window.
- 11 Take the action required by the procedures for the organization.



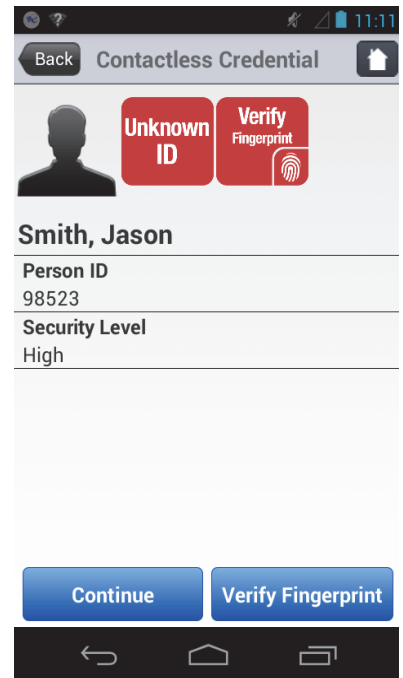
## Scan a Contactless Card

The following procedure shows how to scan the data from a Contactless card and verify the data with the Sentry. The application in the illustration is a Crossmatch demonstration application. Your application can appear different.

- 1 Touch to select **Contactless Card**. The instruction to scan the card appears.
- 2 Put the card near the Contactless Card Reader area on the back of the Sentry. See [“The back of the Sentry” on page 11](#).



- 3 The Sentry scans the card and the application displays the data from the card on the screen. If the scanner does not read the card, a message appears. The workflow requires the operator to verify the fingerprint.

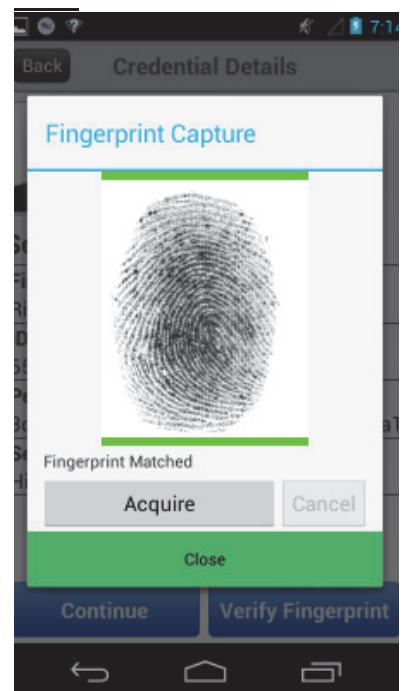


- 4 Touch the **Verify Fingerprint** button. The *Fingerprint Capture* window appears
- 5 Tell the person to press the correct finger on the platen of the Sentry. The fingerprint appears in the window. The Sentry captures the fingerprint and the application compares the fingerprint to the fingerprint stored on the card.

If the fingerprint matches, a green line appears above and below the fingerprint and a message appears in the window.

If the fingerprint **does not match**, a red line above and below the fingerprint and a message appears in the window.

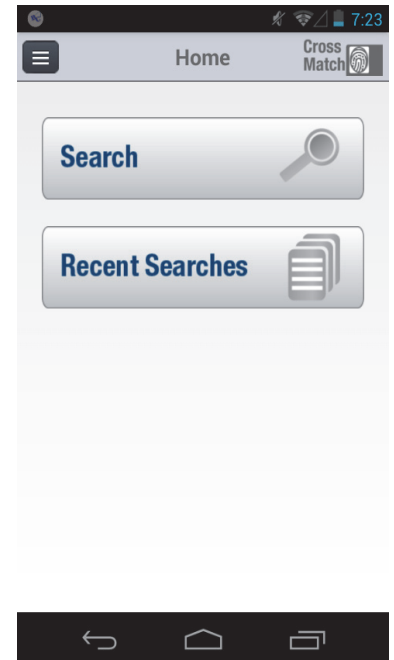
- 6 Take the action required by the procedures for the organization.



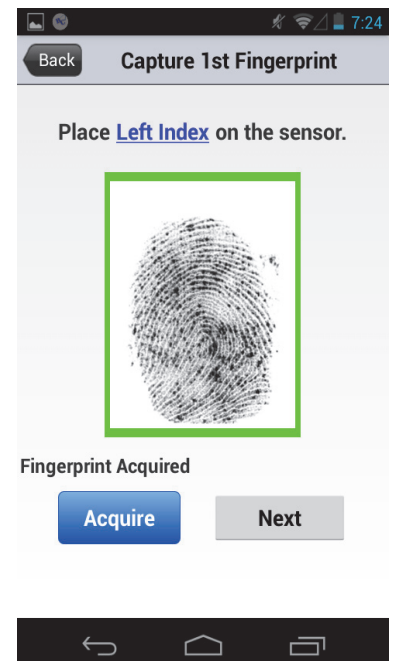
## Capture and verify the biometrics

An application is required to capture and save the biometrics for comparison to database records. The following steps describe how to capture a fingerprint with a Crossmatch demonstration program. Your application can appear different. The required steps are the same.

- 1 Start the application to capture the biometrics.
- 2 Sign into the application. The Home window appears.
- 3 Select **Search** to begin the fingerprint capture process.



- 4 Follow the instructions on the screen to capture the fingerprints.



- 5 Follow the procedure to capture a face photo of the person.

- 6 The demonstration application puts a box on the screen.
- 7 Put the face of the person into the box. The application captures the photo.
- 8 Touch the **Use** button. The application compares the biometrics to a database and reports the results of the comparison.
- 9 To complete the process, the operator takes the actions described in the procedures for the organization.

## Capture a photograph

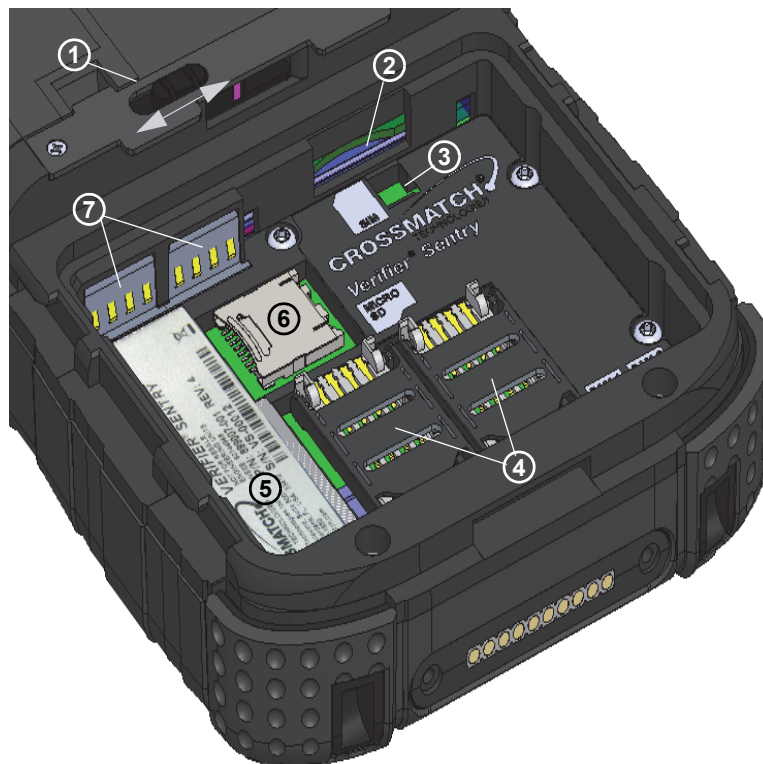
---

An application is required to capture a photograph and save the photograph in a record.

- 1 Start the Sentry.
- 2 Start the application to save the photograph.
- 3 Sign into the application.
- 4 Select the camera from the desktop.
- 5 Take the photograph.
- 6 Follow the instructions to save the photograph in the record.



THIS DOCUMENT DESCRIBES THE MAINTENANCE THAT THE OPERATOR CAN PERFORM ON THE SENTRY.



**Figure 7** The Sentry battery compartment (battery removed)

**Table 13** Items in the Sentry battery compartment

<b>1</b>	The <b>cover latch for the battery compartment</b> . The latch slides to release the cover. The latch automatically returns to the closed position.
<b>2</b>	The socket for the <b>SIM</b> card accepts a normal size SIM card (recommended). An adapter tray is required for smaller SIM cards.
<b>3</b>	The <b>latch that indicates that the battery is installed</b> . The battery compresses the latch and the installation is recorded in the log. When the battery is removed, the latch is released and the removal of the battery is recorded.
<b>4</b>	The socket for a <b>SAM</b> card. There are two sockets.
<b>5</b>	The product label for the Sentry.
<b>6</b>	The <b>Micro SD</b> card socket.
<b>7</b>	The battery connection points for the Sentry.

## Remove the battery

Use the following procedure to remove the battery.

- 1** Press and hold the Start switch to turn off the Sentry.
- 2** Hold the Sentry with the back of the device visible.
- 3** Loosen the hand strap.
- 4** Slide and hold the latch for the cover in the open position.
- 5** Apply enough pressure to **slide the cover away from the latch until it stops**.
- 6** Release the latch and lift the cover from the Sentry.
- 7** Lift the bottom of the battery and remove the battery from the battery compartment.

## Install the battery

---

- 1 Remove the old battery, if necessary. See [“Remove the battery” on page 21](#).
- 2 Hold the battery with the label visible.
- 3 Put the connection points on the battery against the connection points (7) in the battery compartment.
- 4 Press to install the battery.
- 5 Put the cover in position over the battery compartment.

### Note

If the cover does not fit correctly over the battery compartment, check the position of the seal assembly inside the cover. The assembly must extend under the hook for the cover latch. If necessary, slide the assembly toward the hook. When in the correct position, the assembly stops.

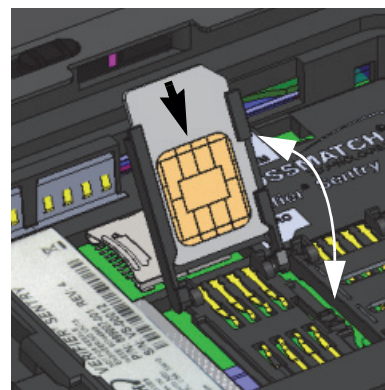
- 6 Apply enough pressure to slide the cover toward the latch. When the cover closes, you hear the cover latch reset.
- 7 Tighten the hand strap.

## Insert a SAM card

---

Use the following procedure to insert a SAM card. There are two SAM card connectors in the battery compartment, next to the Sentry label.

- 1 Remove the battery. See [“Remove the battery” on page 21](#).
- 2 Select an empty SAM connector.
- 3 Use a fingernail to unlock and move the SAM cover toward the center of the Sentry.
- 4 Open the SAM cover until the cover stops.
- 5 Insert the SAM card into the cover. The card inserts with the chamfer on the card as shown in the illustration.
- 6 Close and lock the SAM cover.
- 7 Insert the battery. See [“Install the battery” on page 22](#).

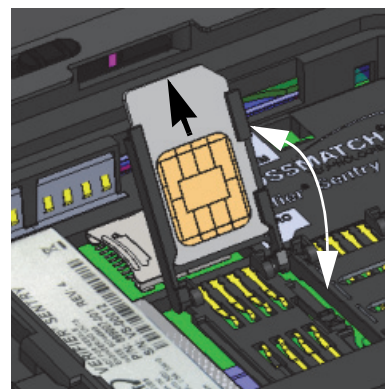


## Remove a SAM card

---

Use the following procedure to remove a SAM card. There are two SAM card connectors in the battery compartment, next to the Sentry label.

- 1 Remove the battery. See [“Remove the battery” on page 21](#).
- 2 Select SAM card to remove.
- 3 Use a fingernail to unlock and slide the SAM cover toward the center of the Sentry.
- 4 Open the SAM cover until the cover stops.
- 5 Slide the SAM card out of the cover.
- 6 Close and lock the SAM cover.
- 7 Insert the battery. See [“Install the battery” on page 22](#).

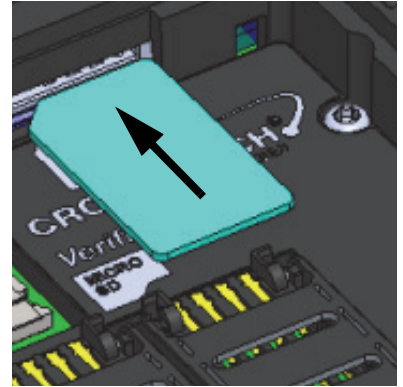




## Insert the SIM card

Use the following procedure to insert a SIM card into the Sentry. The SIM card connector is in the side of the battery compartment next to the battery contacts.

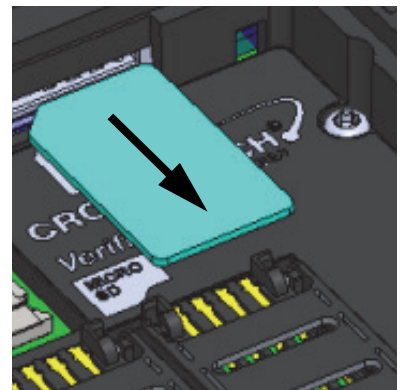
- 1 Remove the battery. See [“Remove the battery” on page 21](#).
- 2 Insert the SIM card into the SIM slot and press until the card stays in the slot.
- 3 Insert the battery. [“Install the battery” on page 22](#).



## Remove the SIM card

Use the following procedure to remove a SIM card from the Sentry. The SIM card connector is in the side of the battery compartment next to the battery contacts.

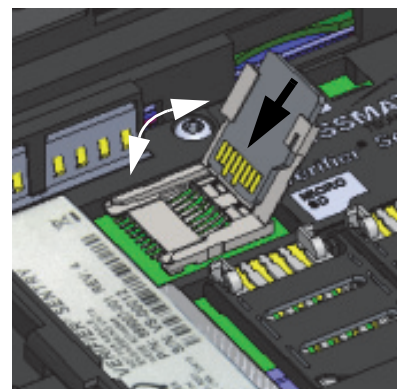
- 1 Remove the battery. See [“Remove the battery” on page 21](#).
- 2 Press the SIM card into the SIM slot until the card releases from the slot.
- 3 Remove the SIM card.
- 4 Insert the battery. See [“Install the battery” on page 22](#).



## Insert the Micro SD card

Use the following procedure to insert the Micro SD card into the Sentry. The Micro SD card connector is in the floor of the battery compartment, next to the battery contacts.

- 1 Remove the battery. See [“Remove the battery” on page 21](#).
- 2 Use a fingertip to slide the Micro SD cover toward the Sentry label and unlock the cover.
- 3 Open the cover.
- 4 Insert the Micro SD card into the cover.
- 5 Close the cover on the Micro SD card connector.
- 6 Insert the battery. See [“Install the battery” on page 22](#).

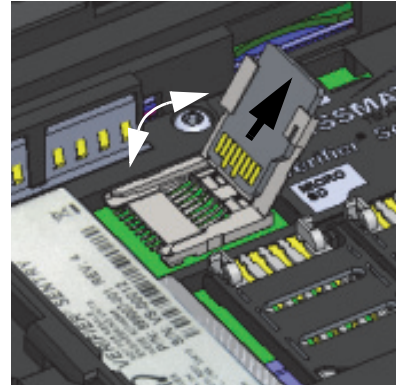


## Remove the Micro SD card

---

Use the following procedure to remove the Micro SD card from the Sentry. The Micro SD card connector is in the floor of the battery compartment, next to the battery contacts.

- 1 Remove the battery. See **“Remove the battery” on page 21**.
- 2 Use a fingertip to slide the Micro SD cover toward the Sentry label and unlock the cover.
- 3 Open the cover.
- 4 Remove the Micro SD card.
- 5 Close and lock the cover on the Micro SD card connector.
- 6 Insert the battery. See **“Install the battery” on page 22**.



## Find the Product Label

---

Use the following procedure to find the product label for the Sentry.

- 1 Remove the battery. See **“Remove the battery” on page 21**.
- 2 The product label is visible in the battery compartment near the two SAM card connectors.
- 3 Insert the battery. See **“Install the battery” on page 22**.

## Replace the fingerprint sensor

---

If the fingerprint sensor must be changed, Crossmatch provides a Sensor Replacement kit. The part number of the kit is 8880125-001. The kit includes a sensor, a special tool and complete instructions to replace the sensor.

THIS CHAPTER DESCRIBES THE TECHNICAL ASSISTANCE AVAILABLE FOR THE SENTRY AND PROVIDES CONTACT INFORMATION.

## Technical Support

---

Technical support from the Customer Care department is available for the Sentry.

### E-mail

---

Crossmatch Customer Care provides free technical support on-line during the warranty period, in the order that the requests are received.

<b>Global</b>
<a href="mailto:CustomerCare@crossmatch.com">CustomerCare@crossmatch.com</a>

If the warranty has expired, use the telephone or facsimile to contact the Customer Care department.

### Telephone and facsimile

---

The Customer Care is available at the following telephone numbers:

<b>Global</b>
<b>Monday- Friday 8 am to 6 pm EST</b>
Customer Care Tel: <b>1.866.276.7761 (Toll Free)</b> Tel: 1.561.622.9210 (International) Fax: <b>1.561.622.8769</b>

Technical support is available for the Sentry during the warranty period at zero charge (see “**Warranty**” for Warranty Terms). After the warranty has expired, technical support is available at a given cost per hour. Contact the Customer Care department.

The Customer Care for the software products and the services purchased from Crossmatch is not included in the warranty. The Customer Care for other products is available at a given cost to the customer.

When you contact the Customer Care department, make sure that you can provide the following information:

- Company name
- Contact person
- The Sentry serial number
- The error messages that appear on the screen

## Return and repair of the Sentry

---

You must receive an RMA number to return the Sentry for repair or replacement. Contact the Customer Care department to request and receive an RMA number. Put the RMA number on the outside of the box and on the label.

North and South America
Crossmatch 3960 RCA Boulevard, Suite 6001 Palm Beach Gardens, Florida 33410 USA RMA: Rnnnn.nnnn

The product is sent to the correct department for service or replacement, then returned to the customer. Any product sent to Crossmatch without an RMA number is returned.

## Delivery costs

---

### The product is in the warranty period

- The customer accepts all charges to send the product to Crossmatch for service.
- Crossmatch accepts all charges to return the product to the customer.

### The product is not in the warranty period

- The customer accepts all charges.

### Note

You must return a product in the original boxes. If the original boxes are not available, contact the Customer Care department for instructions.

## Contact information

---

### Corporate Headquarters

Crossmatch

3950 RCA Boulevard, Suite 5001

Palm Beach Gardens, FL 33410

USA

T: +1 (561) 622-1650

F: +1 (561) 622-9938

T: (866) 725-3926 (Toll Free)

**General Mailbox:** [info@crossmatch.com](mailto:info@crossmatch.com)

**Sales Department:** [sales@crossmatch.com](mailto:sales@crossmatch.com)

**Customer Care:** [CustomerCare@crossmatch.com](mailto:CustomerCare@crossmatch.com)

**Corporate Web Page:** [www.crossmatch.com](http://www.crossmatch.com)

THIS CHAPTER CONTAINS THE CROSSMATCH WARRANTY FOR THE SENTRY.

## LIMITED WARRANTY

---

Cross Match Technologies, Inc. (“**Crossmatch**”) warrants that the Crossmatch Equipment you have purchased will be free from defects in material and workmanship in normal service and under normal conditions for a period of one year from the date of shipment. Normal service and normal conditions are defined in the documentation. This Limited Warranty is subject to the terms and conditions set forth below.

**Repair or replacement:** Unless otherwise stated herein, the sole obligation of Crossmatch and your exclusive remedy and recourse under this Limited Warranty is for Crossmatch, at its sole election, to either (i) repair the suspected defective Equipment and return the same to you or (ii) replace the suspected defective Equipment, all on the terms set forth below. The repair or replacement will provide you with Equipment, which in Crossmatch’s opinion, performs consistently with its age and usage.

If you become aware that your Crossmatch Equipment is defective in material or workmanship in normal service and under normal conditions during its one year Limited Warranty period, then you must promptly contact Crossmatch’s Customer Care Center between Monday through Friday, 8:00am to 6:00pm EST, excluding Crossmatch holidays, describe the suspected defect in detail and request a Return Merchandise Authorization (“**RMA**”) number prior to sending the affected Equipment for repair or requesting a replacement. Please see your equipment manual for more information on RMA’s. You will pay the freight to send the Equipment to Crossmatch’s designated Service Center, and Crossmatch will pay the freight to return the repaired Equipment to you. Each repaired or replacement Equipment is warranted (as set forth herein) for the remaining portion of the original one-year Limited Warranty.

THE FOREGOING CONSTITUTES YOUR SOLE AND EXCLUSIVE REMEDY AND CROSSMATCH’S SOLE AND EXCLUSIVE LIABILITY IN CONNECTION WITH YOUR CROSSMATCH EQUIPMENT, AND IS IN LIEU OF ANY AND ALL OTHER REMEDIES WHICH MAY BE AVAILABLE TO YOU.

**Limitations:** This limited warranty does not cover visits to repair the Crossmatch Equipment at your premises, or the commissioning of the Equipment on site. This Limited Warranty is not a warranty, guarantee or promise that your Crossmatch Equipment will conform to its specification or will not fail.

Crossmatch shall incur no liability under this Limited Warranty and this Limited Warranty is voidable by Crossmatch if in Crossmatch’s sole reasonable opinion: (a) the Equipment is used other than under normal use and under proper environmental and/or electrical conditions, as specified in the manual; (b) the Equipment is not maintained as specified in the equipment manual; (c) the Equipment is subject to abuse, misuse, neglect, accident, flooding, storm, lightning, power surges, dirty power, third-party errors or omissions, or acts of God; (d) the Equipment is modified or altered (unless expressly authorized in writing by Crossmatch); (e) the Equipment is installed or used in combination or in assembly with equipment or other products not supplied or authorized by Crossmatch; (f) there is a failure to follow specific restrictions or operating instructions; (g) database recovery, (h) Crossmatch on-site support, (i) remedial customer training; (j) user or virus caused software reloads; (k) data migration to new platform; or (l) payment for the Equipment has not been timely made.

The Limited Warranty does not cover nondurable consumable items including, but not limited to, batteries, paper, silicon pads, cleaning solution, towels, printer cartridges and cables. Replacement supplies of these items may be ordered by contacting Crossmatch Sales at 866-725-3926 (toll free in the US) or 561-622-9722. This Limited Warranty does not cover third party peripheral equipment (such as laptops and printers) that is not connected or otherwise used in conjunction with the Crossmatch Equipment. Customers should contact the manufacturer of such third party equipment regarding suspected defects in such equipment.

Crossmatch’s obligations hereunder are contingent upon your providing the Equipment serial number as proof-of-purchase, and upon Crossmatch’s determination that the suspected malfunction is actually due to defects in material or workmanship.

**THIS LIMITED WARRANTY IS IN LIEU OF ALL OTHER WARRANTIES RELATED TO THE CROSSMATCH EQUIPMENT, WHETHER EXPRESS, IMPLIED, OR STATUTORY, INCLUDING THE WARRANTIES OF MERCHANTABILITY AND FITNESS FOR A PARTICULAR PURPOSE, ALL OF WHICH ARE HEREBY EXPRESSLY DISCLAIMED BY CROSSMATCH. THIS LIMITED WARRANTY IS NOT TRANSFERABLE OR ASSIGNABLE TO ANY THIRD PARTY AND SHALL BE FOR THE SOLE AND EXCLUSIVE BENEFIT OF THE ORIGINAL OEM OF THE CROSSMATCH EQUIPMENT**

**COVERED HEREUNDER; ANY ATTEMPTED TRANSFER OR ASSIGNMENT HEREOF SHALL BE VOID AB INITIO.**

Crossmatch reserves the right to improve/modify equipment at any time, at its sole discretion, as it deems necessary.

**Out of warranty repairs:** When warranty coverage for your Crossmatch Equipment lapses, or for repairs or replacements not covered by Crossmatch's warranty, (i) you will pay for all repairs at Crossmatch's then-prevailing hourly labor rate (with a one hour minimum) plus parts and shipping, (ii) you will pay Crossmatch's then-current price for all replacement Equipment plus shipping, and (iii) you will pay Crossmatch's then-prevailing hourly labor rate (with a one hour minimum after the first 15 minutes) for telephone support in 15 minute increments.

To obtain out-of-warranty service, you must obtain an RMA number and send the affected Equipment, at your expense, to the designated Crossmatch Service Center for inspection. You will be contacted with an estimated price and time of repair or replacement after analysis. No repairs or replacements will be made until Crossmatch receives a Purchase Order or credit card number from you. You shall pay return freight charges, which will be added to the invoice, for the return of the repaired or replaced Equipment.

In the event you decide not to have a unit repaired or replaced after receiving a repair estimate, there will be a one hour labor charge at the prevailing hourly rate for evaluation plus return freight charges.

At your request, Crossmatch will, for a premium, ship a refurbished unit to you in exchange for the failed unit. Crossmatch will contact you with a price for the exchange after receipt of the failed unit. The shipment will be made when Crossmatch receives a Purchase Order or credit card number from you. You will pay return freight charges, which will be added to the invoice, for the exchange unit. The original returned Equipment will become the property of Crossmatch and will not be returned to you. The refurbished unit will retain the remaining warranty term of the original returned Equipment.

- A**  
accessories for the Sentry 3  
alignment slots for the docking station 11, 12  
applications 3  
attachment bars for the hand strap 11  
Auto Capture™ 2
- B**  
back of the Sentry 11  
battery compartment cover 11  
battery cover release latch 11  
battery disposal 4  
bezel cover release 12  
biometric / credential capture 2  
bluetooth 2  
bottom attachment for the hand strap 12  
bottom of the Sentry 12  
button to decrease the volume 10
- C**  
camera and camera lens 11  
capture a photograph 18, 19  
capture and verify the biometrics 18  
change the battery 21  
charge light 8  
charge point 9  
company  
    sales number 26  
contact card slot 10  
contact information 26  
    corporate headquarters 26  
contactless card reader 11  
corporate headquarters 26  
corporate web page 26  
Crossmatch WEEE registration number 5
- D**  
data connection for an accessory 9  
delivery costs 26  
desktop for the Sentry 13  
device endpoint 9  
docking station alignment slots 11  
docking station connection 12
- E**  
e-mail 25  
e-mail, see **contact information**
- F**  
FCC RF exposure requirements 3  
FCC statement 3  
flat fingerprints 2  
flats 2  
freight guidelines 26  
    not under warranty 26  
    under warranty 26  
front of the Sentry 8
- G**  
glossary 2  
    Auto Capture™ 2  
    bluetooth 2  
    flat fingerprint 2  
    GPS 2  
    USB 2.0 2  
    user 2  
    Wi-Fi 2
- H**  
hand strap attachment 12  
help 25  
    technical 25  
how this book is arranged 1  
how to use the Sentry 13, 21, 25, 27
- I**  
Industry Canada statement 3  
insert a micro sd card 23  
insert a sam card 22  
insert a simm card 23  
insert the Micro SD card 23  
insert the SIM card 23  
install the battery 22
- L**  
left side of the Sentry 9  
licenses  
    the Cellular License information for Gemalto M2M GmbH 4  
    Wi-Fi/Bluetooth License from LS Research 4
- M**  
microphone 8
- N**  
not under warranty 26
- P**  
photo light source 11  
platen 2  
platen bezel 12  
platen surface 8  
product in warranty period 26  
product label for the Sentry 24  
product not in warranty period 26
- R**  
read a barcode 19  
read a contact card 19  
read an epassport 18  
recycling information 4  
remove a SAM card 22  
remove the battery 21  
remove the Micro SD card 24  
remove the SIM card 23  
return and repair of the Avenger 26

returns and repair **26**  
right side of the Sentry **10**  
right side of the sentry **10**  
rma number **26**

## S

scan a contact card **15**  
scan a contactless card **16**  
Sentry  
    accessories **3**  
    attachment for the hand strap **12**  
    back **11**  
    battery compartment cover **11**  
    bezel around the platen **12**  
    bottom **12**  
    bottom attachment for the hand strap **12**  
    button to decrease the volume **10**  
    button to increase the volume **10**  
    camera and camera lens **11**  
    capture a photograph **19**  
    capture and verify the biometrics **18**  
    charge light **8**  
    charge point **9**  
    connection point for the optional docking station **12**  
    cover for the battery compartment **11**  
    data connection for an accessory **9**  
    desktop **13**  
    docking station alignment slots **12**  
    front **8**  
    left side **9**  
    light source for photos **11**  
    microphone **8**  
    platen surface **8**  
    read a barcode **19**  
    reader for a contactless card **11**  
    release for the bezel cover **12**  
    release latch for the battery cover **11**  
    right side **10**  
    scan a contact card **15**  
    scan a contactless card **16**  
    slot for a contact card **10**  
    speaker **8**  
    start **13**

start button **10**  
tasks **25**  
top **12**  
touch screen **8**  
USB connector **9**  
USB connector cover **9**

speaker **8**  
specifications **2**  
standards **1**  
start button **10**  
start the Sentry **13**  
supplies **26**

## T

tasks with the Sentry **25**  
technical help **25**  
technical support **25**  
    e-mail  
    returns and repair **26**  
    telephone and fax **25**  
telephone and facsimile **25**  
terms  
    platen **2**  
top of the Sentry **12**  
touch screen **8**

## U

under warranty **26**  
USB 2.0 **2**  
USB connector **9**  
USB connector cover **9**  
user **2**

## V

volume buttons **10**

## W

web page **26**  
WEEE directive **5**  
WEEE registration number **5**  
WiFi **2**