

› em4

Accessories

RS485 Modbus slave interfaces

- › Modbus RTU or ASCII RS485 slave standard widely used in industry
- › Useful to connect one or several em4 to a programmable touch panel or a SCADA
- › The removable connector allows to unplug em4 without cutting the network
- › Includes End Of Line resistors
- › Direct connection with screw terminals without the need external accessories
- › Black or white color to match with the corresponding design of your em4



RS485 interface - Black



RS485 interface - White
[Contact us](#)

Specific characteristics

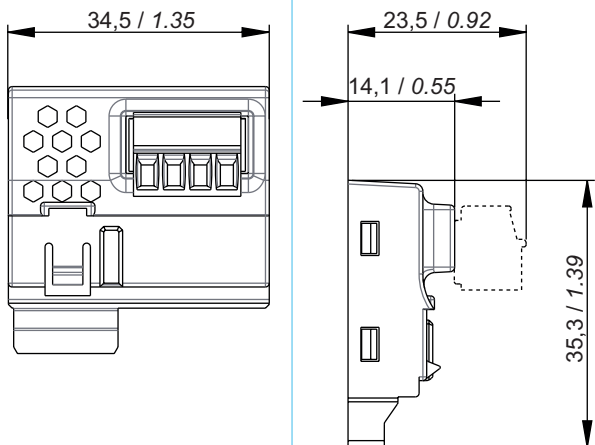
Part number	88 980 120	88 980 121
Finish	Glossy black	Glossy white
Color	Black RAL 9011	White RAL 9003

General characteristics

Protocol	Slave Modbus
Compatible	Base 24 VDC power supply version
Protection rating (in accordance with IEC/EN 60529)	IP 20
Type	2 wires
transmission mode	RTU 8 bits ASCII 7 bits
Parity	None, even, odd
Stop bit	1 or 2
Transmission rate	1200, 2400, 4800, 9600, 19200, 28800, 38400, 57600 bauds
Addressing	From 1 to 247
Compatible connector	Phoenix contact: 1916410 Dinkle: EC350V-04P-BK Framatome connectors: 20020004-C042B01LF (Included with the interface)
Weight	Without packing: 13 g With packing: 15 g
Dimensions	Without packing: 35 x 36 x 26 mm / 1.38 x 1.42 x 1.02 inch With packing: 93 x 103 x 30 mm / 3.66 x 4.06 x 1.18 inch

Diagrams

Dimensions



Connections

