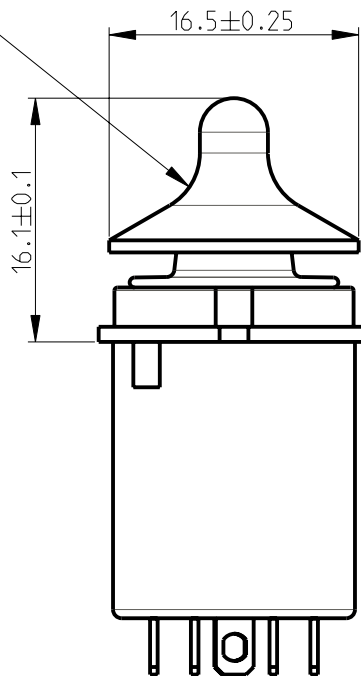
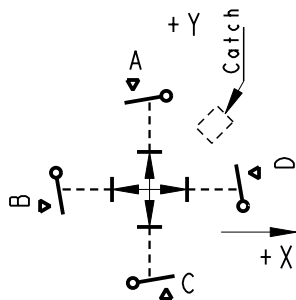


Poussoir noir  
Black push button

Schéma de câblage, vue dessus  
Schematic diagram, top view



ECHELLE 1/1  
SCALE



Caractéristiques identiques à : FT83452534FR  
Characteristics identical to :

-
83452578
Product:

<b>A</b>	CREATION DE L'OBJET	Modified by	T_VINARD	16/09/2010
		Verified by	P_GIROUD	16/09/2010
		Authorized by	NON APPLIC.	

Toler. gene. lin ± / mm	<p>This document is the property of Crouzet-Automatismes. It's contents cannot be reproduced or divulged without the company's written approval. The product data and specifications found on this document do not constitute any contractual obligation. Crouzet-Automatismes and its subsidiaries reserve the right to modify the specifications. All rights of reproduction, modification, reprinting, and translation reserved for all countries</p>	
Toler. gene. Ang ± / degrees		
	General Raw surface	Scale <b>2/1</b>

2, rue du Dr ABEL BP 59, 26902, Valence CEDEX 9 France	Customer:	Customer Ref.:	PFT001:x<C>;y<M>		
	Designation/FR:	<b>TRIM 4D UNIPOLAIRE EFFET TACTILE ETANCHE BAS NIVEAU</b>		Dispatching <b>D1</b>	
Department:	Design by T_VINARD 16/09/2010	<b>DATA SHEET</b>		Index	Folio
CT	Verif. by P_GIROUD	<b>FT83452578FR</b>		A	A4
NATO code: FA0X2	Authorized by NON APPLIC. 16/09/2010				1/1