

Go to www.vtechphones.com to register your product for enhanced warranty support and the latest VTech product news.

VC7003

Accessory Motion Sensor for use with ULE certified systems*



vtech
User's manual

* Visit www.vtechphones.com/wireless-monitoring for the latest ULE compatible products.

Congratulations

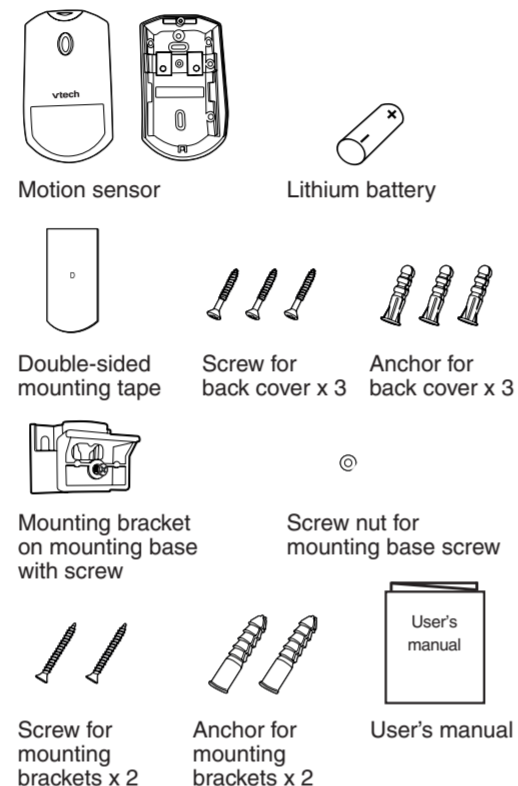
on purchasing your new VTech product. Before using this product, please read **Important safety instructions**.

This manual has instructions on how to set up and register your new sensor. For instructions on sensor settings, see the user's manual that came with your ULE compatible products. Visit www.vtechphones.com/wireless-monitoring for a list of the latest ULE compatible products.

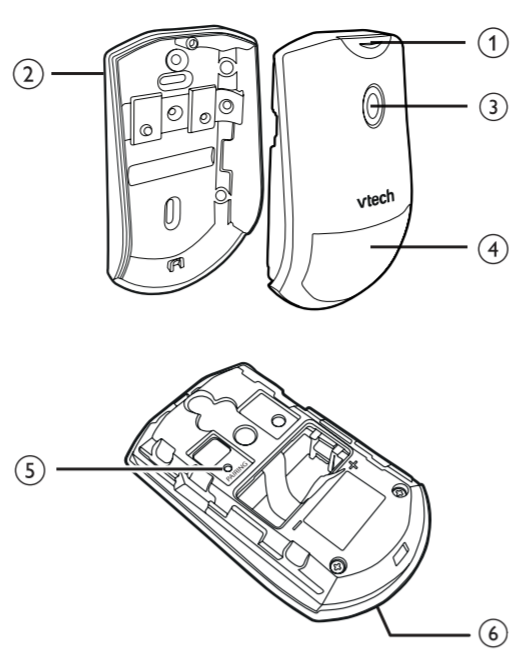
You may also view or download the online User's manual of the respective product for a full set of installation and operation instructions at www.vtechphones.com. In Canada, visit www.vtechcanada.com.

What's in the box

Your product package contains the following items. Save your sales receipt and original packaging in the event warranty service is necessary.



Sensor unit overview

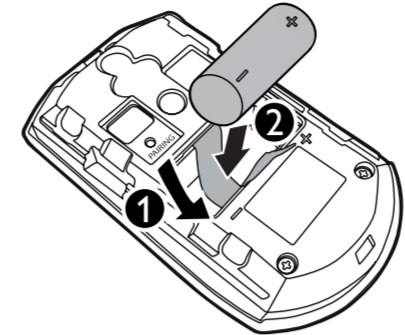


- 1 - Screw cover**
 - Slide to open or close the screw compartment case to reveal the battery compartment case and **PAIRING** button.
- 2 - Back cover**
- 3 - LED light**
 - Flashes red for a while when the sensor is powered on.
 - Flashes red once when a motion is detected.
 - Flashes green when the sensor is in the registration mode.
- 4 - Motion detector**
- 5 - PAIRING button**
 - Press and hold to enter the registration mode.
- 6 - Battery compartment case**

Before use

Install battery to the motion sensor

- Flip the ribbon across the battery compartment.
- Insert the battery into the battery compartment.



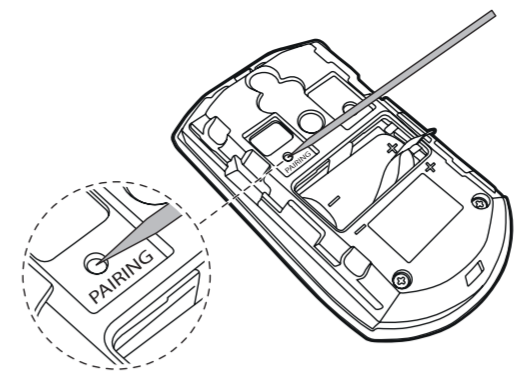
- NOTES**
- Use only CR123A lithium battery.
 - While you insert the battery, make sure the polarities are correct.
 - The battery operate properly under the temperature between 0°F (-18°C) and 120°F (49°C).

Add and register a sensor

Add your new **VC7003** motion sensor to your ULE compatible product. Visit www.vtechphones.com/wireless-monitoring for a list of the latest ULE compatible products. Register each sensor to the respective ULE compatible product before use.

To register a motion sensor:

- Refer to the online User's manual of your ULE compatible product at www.vtechphones.com/support/manuals to enter the registration mode.
- Use a narrow pointed object such as a pencil to press and hold the **PAIRING** button on the motion sensor, until the LED light flashes green, to enter the registration mode.



When the registration process completes, the green LED light on the sensor will remain steady for about two seconds, and then turn off. The registration process takes about 90 seconds to complete.

- NOTES**
- If the registration fails, take out the battery and place it aside for a minute to reset the sensor. Then, install the battery back and try the registration process again.

Replacing a sensor

If you have purchased this new **VC7003** accessory sensor to replace an old sensor, follow the instructions to deregister your old sensor.

To replace a sensor, you must deregister the registered sensor first, and then register this new sensor to your ULE compatible product.

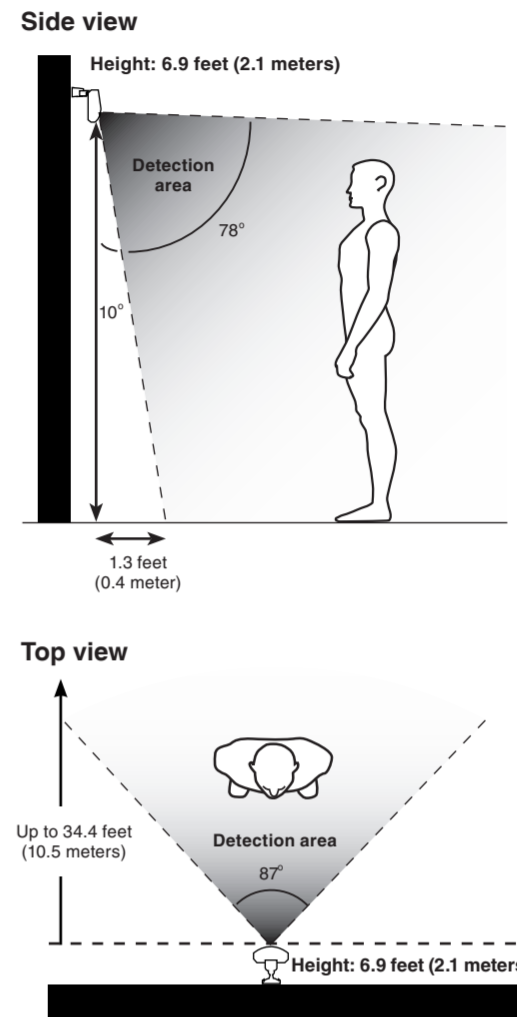
Deregister a sensor or all sensors:

- Refer to the online User's manual of your ULE compatible product at www.vtechphones.com/support/manuals to deregister a sensor or all sensors.

Motion detection range

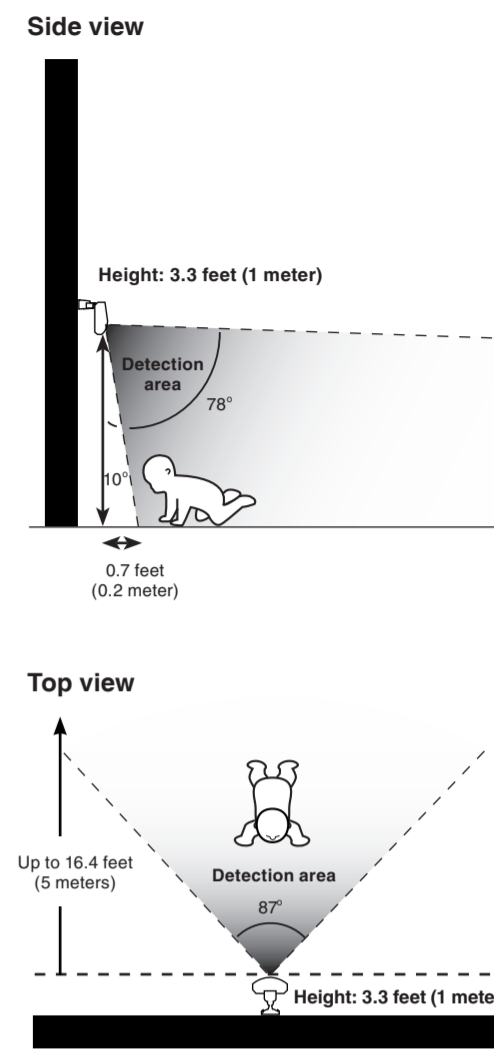
The motion sensor can detect a motion occurred at a distance of up to **40 feet (12 meters)** from itself when it is mounted at the height of **7.9 feet (2.4 meters)**. It is recommended to mount the sensor at the height between **6.2 feet (1.9 meters)** and **7.5 feet (2.3 meters)** for optimal detection coverage.

- NOTE**
- The numerical values in the following illustrations are for conceptual reference only. The actual angles and distances may vary upon the change in the mounted height of the sensor.



For motion detection of babies or pets:

If you use the motion sensor only to detect the motion of babies or pets, you can mount the sensor at a lower position to shorten the minimum distance before reaching the detection area.

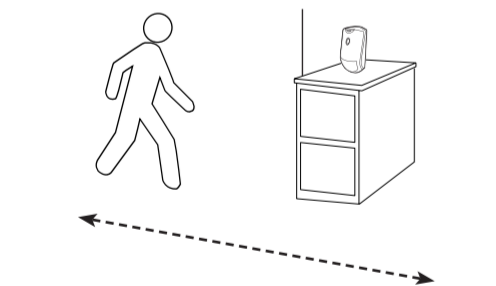


Check the sensor before use

The Motion sensor is more sensitive in detecting motions crossing the space in front of the sensor than that moving towards the sensor.

Follow the steps below to check if you receive alerts at your ULE compatible product.

Refer to the Installation guide or user's manual of your ULE compatible product for the sensor alerts.



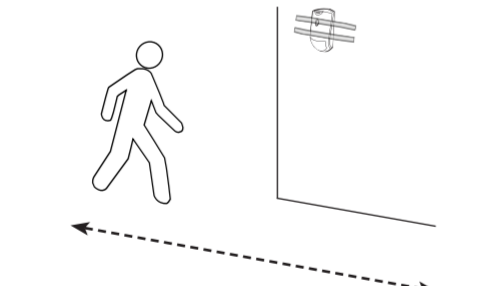
- Place the sensor on a stable flat surface.
- Walk across the area in front of the sensor.
 - You will receive alerts at your ULE compatible product.
 - The LED light on the motion sensor will flash red once.

- NOTE**
- Once motion is detected, the sensor will only start to detect motion again after one minute.

Test the sensor signal strength

You can mount the motion sensor at a location where family members or unwanted visitors are likely to be coming and going.

- Take the sensor to the desired mounting location, and then hold it the desirable height (Refer to **Motion detection range** section).
- Walk across the area in front of the sensor again to make sure you receive alerts at your ULE compatible product.



- NOTES**
- If there is no alert received when you walk across the area in front of the sensor, move your ULE compatible product closer to the mounting location or move the sensor closer to the respective product.
 - Use adhesive tape to hold the sensor temporarily in place.
 - Depending on surroundings and obstructing factors, like walls or cabinets, the sensor may not transmit to the ULE compatible product properly.

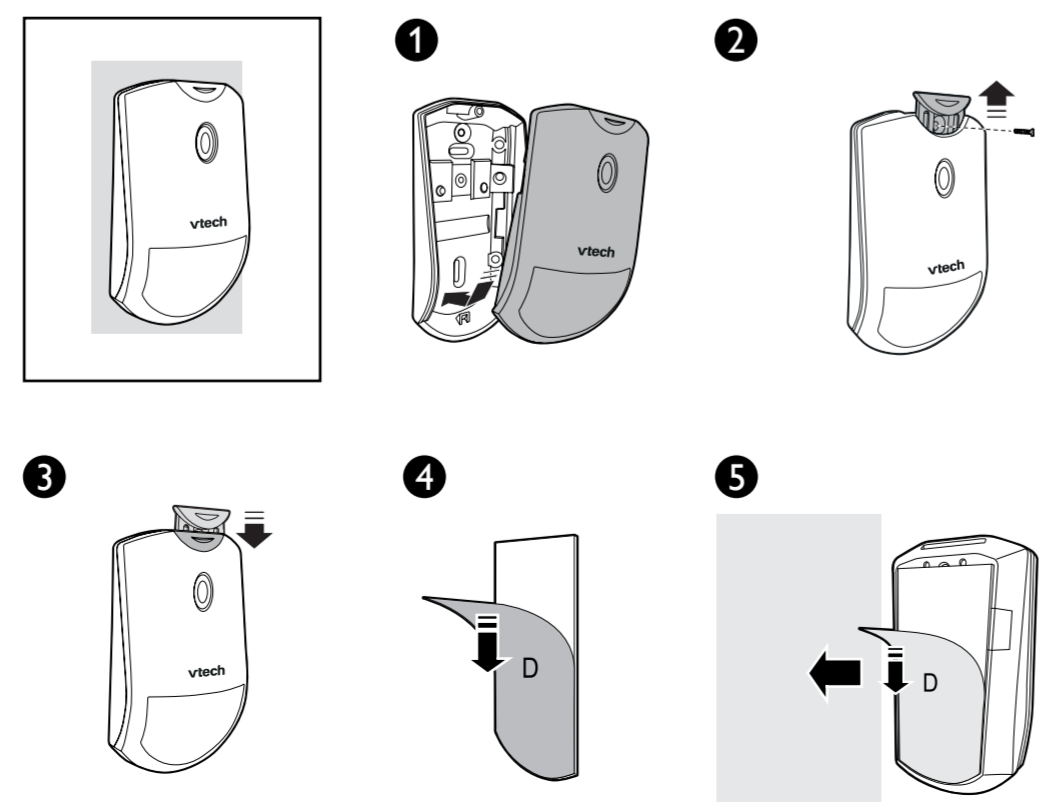
Mount the sensor

- NOTES**
- This sensor must be mounted vertically on wall. Do not mount the motion sensor in a horizontal orientation, or flat on the ceiling.
 - Make sure the mounting surface is clean. A textured surface or any imperfections to a smooth surface can keep the mounting tape from making a strong bond.
 - The recommended mounting height for motion detection of adults is between **6.2 feet (1.9 meters)** and **7.5 feet (2.3 meters)**, and that for babies or pets is about **3.3 feet (1 meter)**.
 - If you drill the holes into an object other than a stud, insert the screw anchors into the holes and tap gently on the ends with a hammer until the screw anchors are flush with the wall or ceiling.

- TIP**
- You can choose to mount the sensor with the mounting tape first. Remove the mounting tape and use screws later if you decide to mount it at that location for long term.

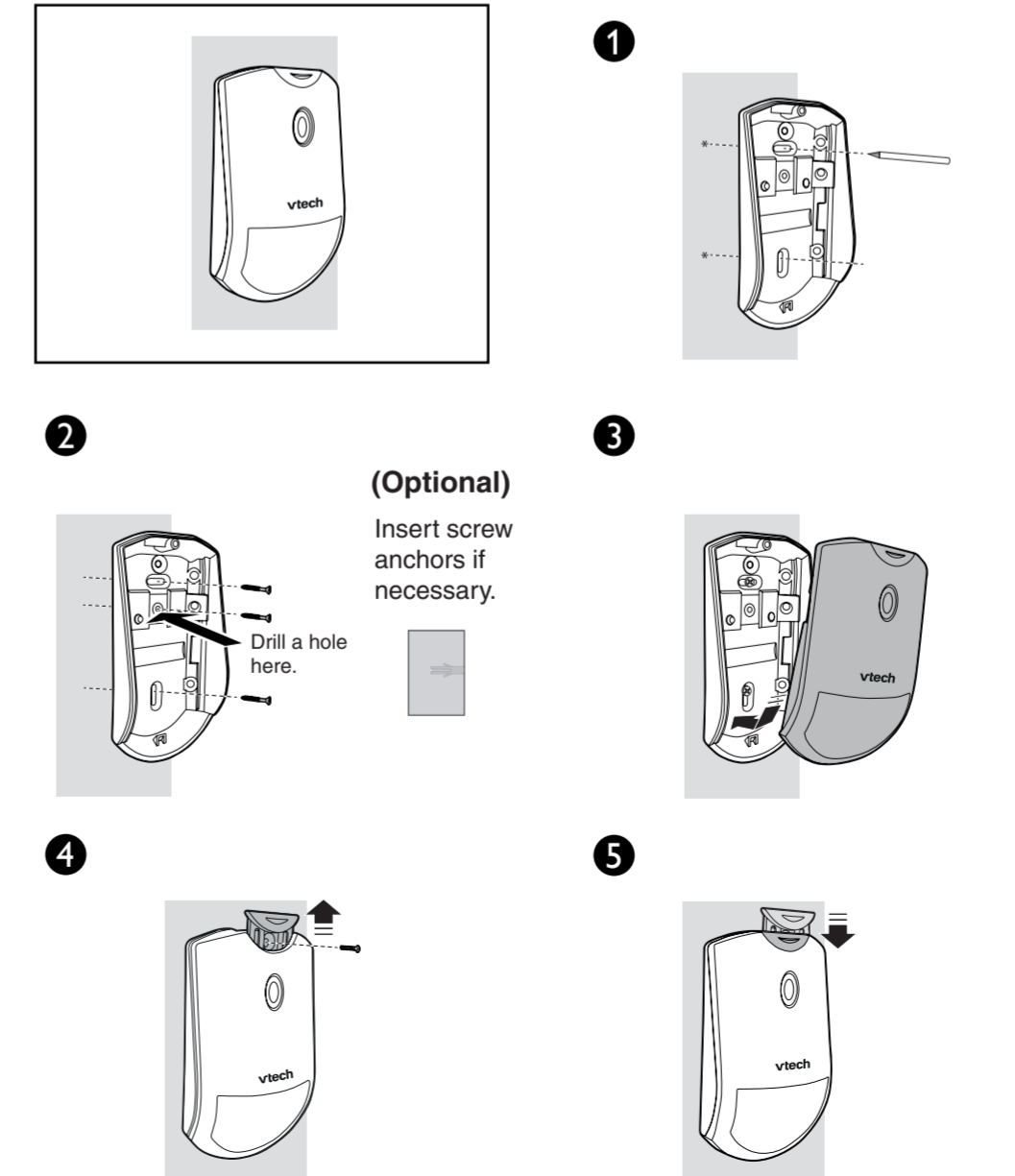
Mount with tape

Mount on the wall - with fixed angle



Mount with screws

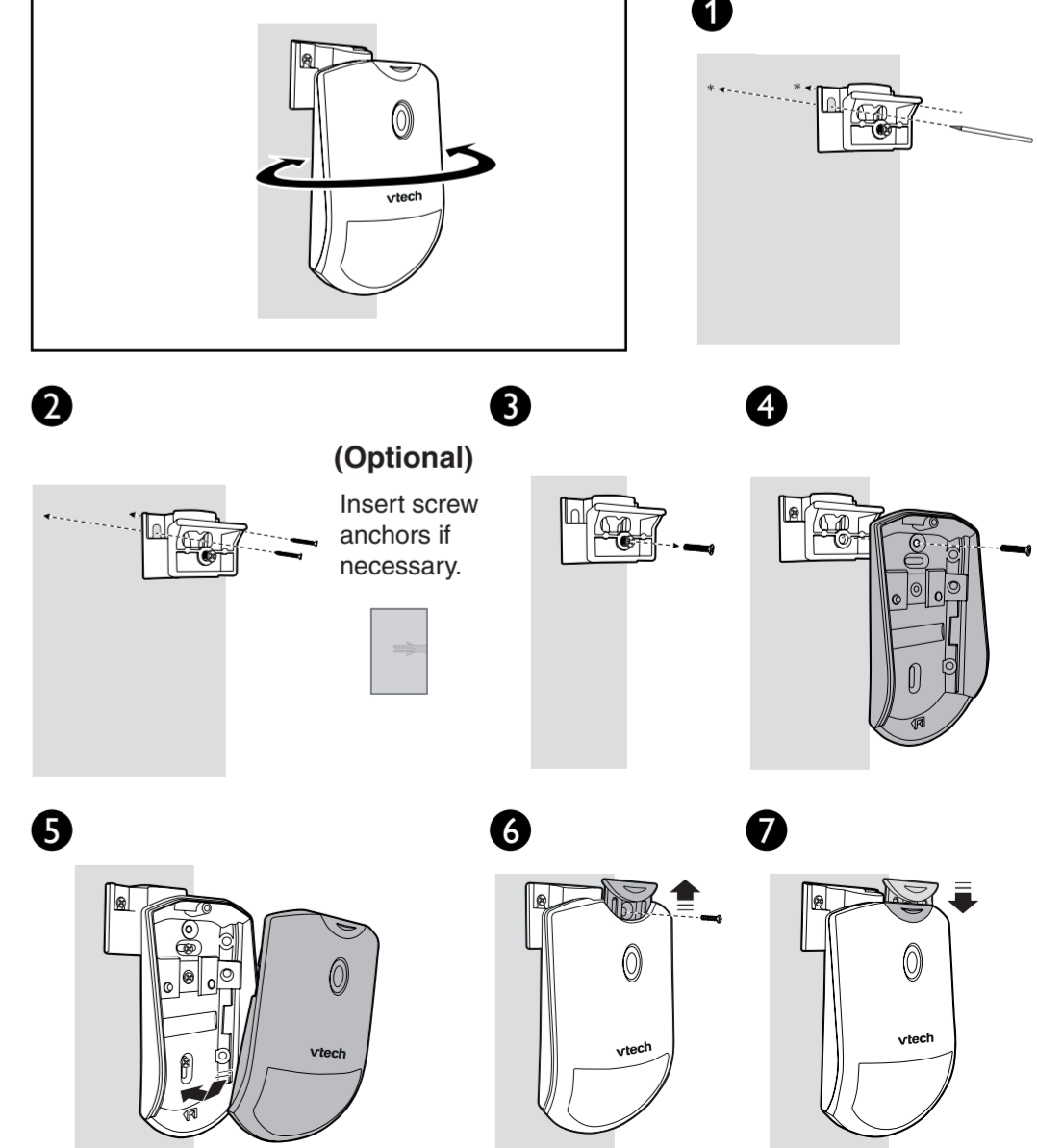
Mount on the wall - with fixed angle



This product requires professional installation in accordance with UL 681.

Mount on the wall - with adjustable detection angle

- TIP**
- You can mount the sensor next to the corner of wall, and then rotate it 45 degree for optimal detection coverage.



General product care

Taking care of your sensor

Your sensor contains sophisticated electronic parts, so it must be treated with care.

Avoid rough treatment

Place the sensor down gently. Save the original packing materials to protect your sensor if you ever need to ship it.

Avoid water

Your sensor can be damaged if it gets wet. Do not use the sensor outdoors in the rain, or handle it with wet hands. Do not install the sensor near a sink, bathtub or shower.

Electrical storms

Electrical storms can sometimes cause power surges harmful to electronic equipment. For your own safety, take caution when using electrical appliances during storms.

Cleaning your sensor

Your sensor has a durable plastic casing that should retain its luster for many years. Clean it only with a dry non-abrasive cloth. Do not use dampened cloth or cleaning solvents of any kind.

Storage

When you are not going to use the sensor for some time, remove the battery from the sensor. Store the sensor in a cool and dry place.

Frequently asked questions

Below are the questions most frequently asked about the sensor. If you cannot find the answer to your question, visit our website at **www.vtechphones.com** or call **1-844-848-8324 (1-844-84-VTECH)** for customer service. In Canada, visit our website at **www.vtechcanada.com** or call **1-800-267-7377**.

The sensor does not work at all.	Make sure the CR123A lithium battery is installed.
	The sensor may be deregistered from the telephone base. Register it back to your ULE compatible product.
	The sensor may be out of range. Move the sensor closer to your ULE compatible product.

Important safety instructions

When using your equipment, basic safety precautions should always be followed to reduce the risk of fire, electric shock and injury, including the following:

- Adult setup is required.
- Do not use this product near water. For example, do not use it next to a bath tub, wash bowl, kitchen sink, laundry tub or swimming pool, or in a wet basement or shower.
- Do not place this product on an unstable table, shelf, stand or other unstable surfaces.
- This product should not be placed in any area where proper ventilation is not provided. Slots and openings in the back or bottom of this product are provided for ventilation. To protect them from overheating, these openings must not be blocked by placing the product on a soft surface such as a bed, sofa or rug. This product should never be placed near or over a radiator or heat register.
- Never push objects of any kind into this product through the slots because they may touch dangerous voltage points or create a short circuit. Never spill liquid of any kind on the product.
- To reduce the risk of electric shock, do not disassemble this product, but take it to an authorized service facility. Opening or removing parts of the product other than specified access doors may expose you to dangerous voltages or other risks. Incorrect reassembling can cause electric shock when the product is subsequently used.

- Periodically examine all components for damage.
- Children should be supervised to ensure that they do not play with the product.
- The product is not intended for use by persons (including children) with reduced physical, sensory or mental capabilities, or lack of experience and knowledge, unless they have been given supervision or instruction concerning use of the appliance by a person responsible for their safety.

SAVE THESE INSTRUCTIONS

Battery

- CAUTION:** Use only the battery indicated in this manual. There may be a risk of explosion if a wrong type of battery is used for the sensor unit.
- Do not dispose of the battery in a fire. Check with local waste management codes for special disposal instructions.
- Do not open or mutilate the battery. Released electrolyte is corrosive and may cause burns or injury to the eyes or skin. The electrolyte may be toxic if swallowed.
- Exercise care in handling battery in order not to create a short circuit with conductive materials.

Precautions for users of implanted cardiac pacemakers

Cardiac pacemakers (applies only to digital cordless devices):

Wireless Technology Research, LLC (WTR), an independent research entity, led a multidisciplinary evaluation of the interference between portable wireless devices and implanted cardiac pacemakers. Supported by the U.S. Food and Drug Administration, WTR recommends to physicians that:

Pacemaker patients

- Should keep wireless devices at least six inches from the pacemaker.
- Should NOT place wireless devices directly over the pacemaker, such as in a breast pocket, when it is turned ON.

WTR’s evaluation did not identify any risk to bystanders with pacemakers from other persons using wireless devices.

FCC and IC regulations

FCC Part 15

This equipment has been tested and found to comply with the requirements for a Class B digital device under Part 15 of the Federal Communications Commission (FCC) rules. These requirements are intended to provide reasonable protection against harmful interference in a residential installation. This equipment generates, uses and can radiate radio frequency energy and, if not installed and used in accordance with the instructions, may cause harmful interference to radio communications. However, there is no guarantee that interference will not occur in a particular installation. If this equipment does cause harmful interference to radio or television reception, which can be determined by turning the equipment off and on, the user is encouraged to try to correct the interference by one or more of the following measures:

- Reorient or relocate the receiving antenna.
- Increase the separation between the equipment and receiver.
- Connect the equipment into an outlet on a circuit different from that to which the receiver is connected.
- Consult the dealer or an experienced radio/TV technician for help.

Changes or modifications to this equipment not expressly approved by the party responsible for compliance could void the user’s authority to operate the equipment.

This device complies with Part 15 of the FCC rules. Operation is subject to the following two conditions: (1) this device may not cause harmful interference, and (2) this device must accept any interference received, including interference that may cause undesired operation.

To ensure safety of users, the FCC has established criteria for the amount of radio frequency energy that can be safely absorbed by a user or bystander according to the intended usage of the product. This product has been tested and found to comply with the FCC criteria. The sensor unit shall be installed and used such that parts of all persons’ body are maintained at a distance of approximately 8 in (20 cm) or more.

This Class B digital apparatus complies with Canadian requirement:
CAN ICES-3 (B)/NMB-3(B)

Industry Canada

This device complies with Industry Canada licence-exempt RSS standard(s).

Operation is subject to the following two conditions: (1) this device may not cause harmful interference, and (2) this device must accept any interference received, including interference that may cause undesired operation.

The term "IC:" before the certification/registration number only signifies that the Industry Canada technical specifications were met. This product meets the applicable Industry Canada technical specifications.

RF radiation exposure statement

The sensor complies with FCC RF radiation exposure limits set forth for an uncontrolled environment. The sensor unit should be installed and operated with a minimum distance of 8 in (20 cm) between the sensor and all persons’ body. This transmitter must not be co-located or operating in conjunction with any other antenna or transmitter. This equipment complies also with Industry Canada RSS-102 with respect to Canada’s Health Code 6 for Exposure of Humans to RF Fields.

For C-UL and cETL compliance only

Mesures de sécurité importantes

Lorsque vous utilisez votre appareil, vous devriez toujours suivre certaines mesures de précaution de base afin de réduire les risques d’incendie, d’électrocution et de blessures corporelles, dont ceux qui suivent :

- L’installation par un adulte est requise.
- N’utilisez pas cet appareil près de l’eau ni de toute autre source d’humidité, par exemple, près d’une baignoire, cuve à lessive, évier de cuisine, dans un sous-sol humide ni près d’une piscine, dans un soussol humide ou une douche.
- Ne placez pas cet appareil sur un chariot, meuble, trépied, support de montage ni table chancelants.
- Les trous et ouvertures du boîtier, situés à l’arrière de l’appareil ou sous celui-ci, servent à aérer l’appareil. Pour l’empêcher de surchauffer, ne bloquez sous aucun prétexte ces ouvertures et n’empêchez pas l’aération adéquate de l’appareil en le plaçant sur un lit, divan, tapis ou toute autre surface similaire. De même, ne le positionnez pas à proximité ni au-dessus d’une source de chaleur ou d’un calorifère. De plus, ne placez pas l’appareil dans un endroit avant de vous assurer qu’il y ait une bonne circulation d’air.
- N’enfoncez jamais d’objets à travers les ouvertures de cet appareil, car ils pourraient

entrer en contact avec des points de tension dangereux ou causer des courts-circuits qui peuvent dégénérer en incendies ou en risques d’électrocution. Ne renversez jamais de liquide dans ce produit.

- Afin de réduire les risques d’électrocution, ne démontez pas cet appareil, mais apportez-le dans un centre de service autorisé. L’ouverture du boîtier ou le retrait de toutes pièces que contient cet appareil, à l’exception de l’accès autorisé à certaines portes ou ouvertures, risque de vous exposer à des points de tension dangereux ou d’autres dangers. Un remontage incorrect peut par la suite présenter des risques d’électrocution.

- Examinez les composantes afin de vérifier si celles-ci ne sont pas endommagées.
- Les enfants devraient être supervisés afin de vous assurer qu’ils ne jouent pas avec l’appareil.
- Le produit n’est pas conçu pour être utilisé par des personnes (incluant des enfants) aux capacités physiques, sensorielles ou mentales réduites ou qui manquent d’expérience et de connaissances, à moins qu’on leur ait donné suffisamment de supervision ou d’instructions relativement à l’utilisation de l’appareil par une personne responsable de leur sécurité.

CONSERVEZ CES INSTRUCTIONS
Pile
<ul style="list-style-type: none">MISE EN GARDE : Il peut y avoir un risque d’explosion si vous utilisez le mauvais type de piles pour l’unité du capteur. Ne jetez pas la pile au feu. Vérifiez les instructions spécifiques de mise aux rebus auprès des autorités locales. N’ouvrez pas et ne mutiliez pas la pile. L’électrolyte qui s’en échapperait est corrosif et pourrait causer des brûlures ou des blessures aux yeux ou à la peau. L’électrolyte est toxique si avalé. Soyez prudents lorsque vous manipulez les piles afin d’éviter les courts-circuits provoqués par des matériaux conducteurs.
Stimulateurs cardiaques implantés dans l’organisme
Les simulateurs cardiaques (ne s’applique qu’aux dispositifs numériques sans fil) : <p>L’organisme 'Wireless Technology Research, LLC (WTR)', une firme de recherche indépendante, a mené une évaluation pluridisciplinaire des interférences entre les téléphones sans fil portatifs et les stimulateurs cardiaques implantés dans l’organisme. Appuyée par l’Administration des aliments et drogues (FDA) des États-Unis, la firme WTR recommande aux médecins:</p>

Avis aux détenteurs de stimulateurs cardiaques

- Vous devriez maintenir les dispositifs sans fil à au moins six pouces du stimulateur cardiaque.
- Ils ne doivent PAS placer le téléphone sans fil directement sur le stimulateur cardiaque, tel que dans une poche de chemise, lorsque celui-ci est en marche.

L’étude effectuée par l’organisme WRS n’a pas identifié de risque pour les détenteurs de stimulateurs cardiaques causés par les gens qui utilisent un téléphone sans fil à proximité de ceux-ci.

Limited warranty

What does this limited warranty cover?

The manufacturer of this VTech Product warrants to the holder of a valid proof of purchase ("Consumer" or "you") that the Product and all accessories provided in the sales package ("Product") are free from defects in material and workmanship, pursuant to the following terms and conditions, when installed and used normally and in accordance with the Product operating instructions. This limited warranty extends only to the Consumer for Products purchased and used in the United States of America and Canada.

What will VTech do if the Product is not free from defects in materials and workmanship during the limited warranty period (“Materially Defective Product”)?

During the limited warranty period, VTech’s authorized service representative will repair or replace at VTech’s option, without charge, a Materially Defective Product. If we repair the Product, we may use new or refurbished replacement parts. If we choose to replace the Product, we may replace it with a new or refurbished Product of the same or similar design. We will retain defective parts, modules, or equipment. Repair or replacement of the Product, at VTech’s option, is your exclusive remedy. VTech will return the repaired or replacement Products to you in working condition. You should expect the repair or replacement to take approximately 30 days.

How long is the limited warranty period?

The limited warranty period for the Product extends for ONE (1) YEAR from the date of purchase. If VTech repairs or replaces a Materially Defective Product under the terms of this limited warranty, this limited warranty also applies to the repaired or replacement Product for a period of either (a) 90 days from the date the repaired or replacement Product is shipped to you or (b) the time remaining on the original one-year warranty; whichever is longer.

What is not covered by this limited warranty?

This limited warranty does not cover:

- Product that has been subjected to misuse, accident, shipping or other physical damage, improper installation, abnormal operation or handling, neglect, inundation, fire, water or other liquid intrusion; or
- Product that has been damaged due to repair, alteration or modification by anyone other than an authorized service representative of VTech; or
- Product to the extent that the problem experienced is caused by signal conditions, network reliability, or cable or antenna systems; or
- Product to the extent that the problem is caused by use with non-VTech accessories; or
- Product whose warranty/quality stickers, product serial number plates or electronic serial numbers have been removed, altered or rendered illegible; or
- Product purchased, used, serviced, or shipped for repair from outside the United States of America or Canada, or used for commercial or institutional purposes (including but not limited to Products used for rental purposes); or
- Product returned without a valid proof of purchase (see item 2 on the next column); or
- Charges for installation or set up, adjustment of customer controls, and installation or repair of systems outside the unit.

How do you get warranty service?

To obtain warranty service in the USA, please visit our website at **www.vtechphones.com** or call **1-844-848-8324 (1-844-84-VTECH)**. In Canada, visit at **www.vtechcanada.com** or call **1-800-267-7377**.

NOTE: Before calling for service, please review the user’s manual - a check of the Product’s controls and features may save you a service call.

Except as provided by applicable law, you assume the risk of loss or damage during transit and transportation and are responsible for delivery or handling charges incurred in the transport of the Product(s) to the service location. VTech will return repaired or replaced Product under this limited warranty. Transportation, delivery or handling charges are prepaid. VTech assumes no risk for damage or loss of the Product in transit. If the Product failure is not covered by this limited warranty, or proof of purchase does not meet the terms of this limited warranty, VTech will notify you and will request that you authorize the cost of repair prior to any further repair activity. You must pay for the cost of repair and return shipping costs for the repair of Products that are not covered by this limited warranty.

What must you return with the Product to get warranty service?

- Return the entire original package and contents including the Product to the VTech service location along with a description of the malfunction or difficulty; and
- Include a “valid proof of purchase” (sales receipt) identifying the Product purchased (Product model) and the date of purchase or receipt; and
- Provide your name, complete and correct mailing address, and telephone number.

Other limitations

This warranty is the complete and exclusive agreement between you and VTech. It supersedes all other written or oral communications related to this Product. VTech provides no other warranties for this Product. The warranty exclusively describes all of VTech’s responsibilities regarding the Product. There are no other express warranties. No one is authorized to make modifications to this limited warranty and you should not rely on any such modification.

State/Provincial Law Rights: This warranty gives you specific legal rights, and you may also have other rights, which vary from state to state or province to province.

Limitations: Implied warranties, including those of fitness for a particular purpose and merchantability (an unwritten warranty that the Product is fit for ordinary use) are limited to one year from the date of purchase. Some states/provinces do not allow limitations on how long an implied warranty lasts, so the above limitation may not apply to you. In no event shall VTech be liable for any indirect, special, incidental, consequential, or similar damages (including, but not limited to lost profits or revenue, inability to use the Product or other associated equipment, the cost of substitute equipment, and claims by third parties) resulting from the use of this Product. Some states/provinces do not allow the exclusion or limitation of incidental or consequential damages, so the above limitation or exclusion may not apply to you.


Please retain your original sales receipt as proof of purchase.

Technical specifications	
Frequency control	Crystal controlled PLL synthesizer
Transmit frequency	1921.536-1928.448 MHz
Channels	5
Sensor operating temperature	0°F (-18°C) to 120°F (49°C)
Nominal effective range	Maximum power allowed by FCC and IC. Actual operating range may vary according to environment conditions at the time of use.
Power requirements	Battery: Lithium 3V <p>Battery type: CR123A</p> <p>Battery size: 2/3A</p>

Disclaimer

This product is not designed for security purposes. The user of this product is hereby informed that this product, when properly installed and maintained, may in some cases reduce the risk of burglary, fire, robbery or other events occurring without providing an alarm, but it is not insurance and it is not a guarantee that such losses will not occur, and it is not a guarantee that there will be no personal injury or property loss or damage incurred by the user. The user of this product should not rely on this product as a security measure for prevention of accident, burglary, robbery or fire. Every location and set of conditions is unique, and VTech is not responsible for losses, injury, or damage resulting from the user’s use of this product.

This product is covered by U.S. Patent #8,825,043. Other patents may be pending.

 Designed to fit your home. And your life.

VTech Communications, Inc.
A member of THE VTECH GROUP OF COMPANIES.
VTech is a registered trademark of VTech Holdings Limited.
Specifications are subject to change without notice.
Copyright © 2015 for VTech Communications, Inc.
All rights reserved. 06/15_VC7003_CIB_V1.0
Document order number: PN# 89330000

