



Parts List Manual

Ex Series Compact Tractor

Ex3200

Cub Cadet Yanmar LLC
P.O. Box 361052
Cleveland, OH 44136-1052

PRINTED IN U.S.A.

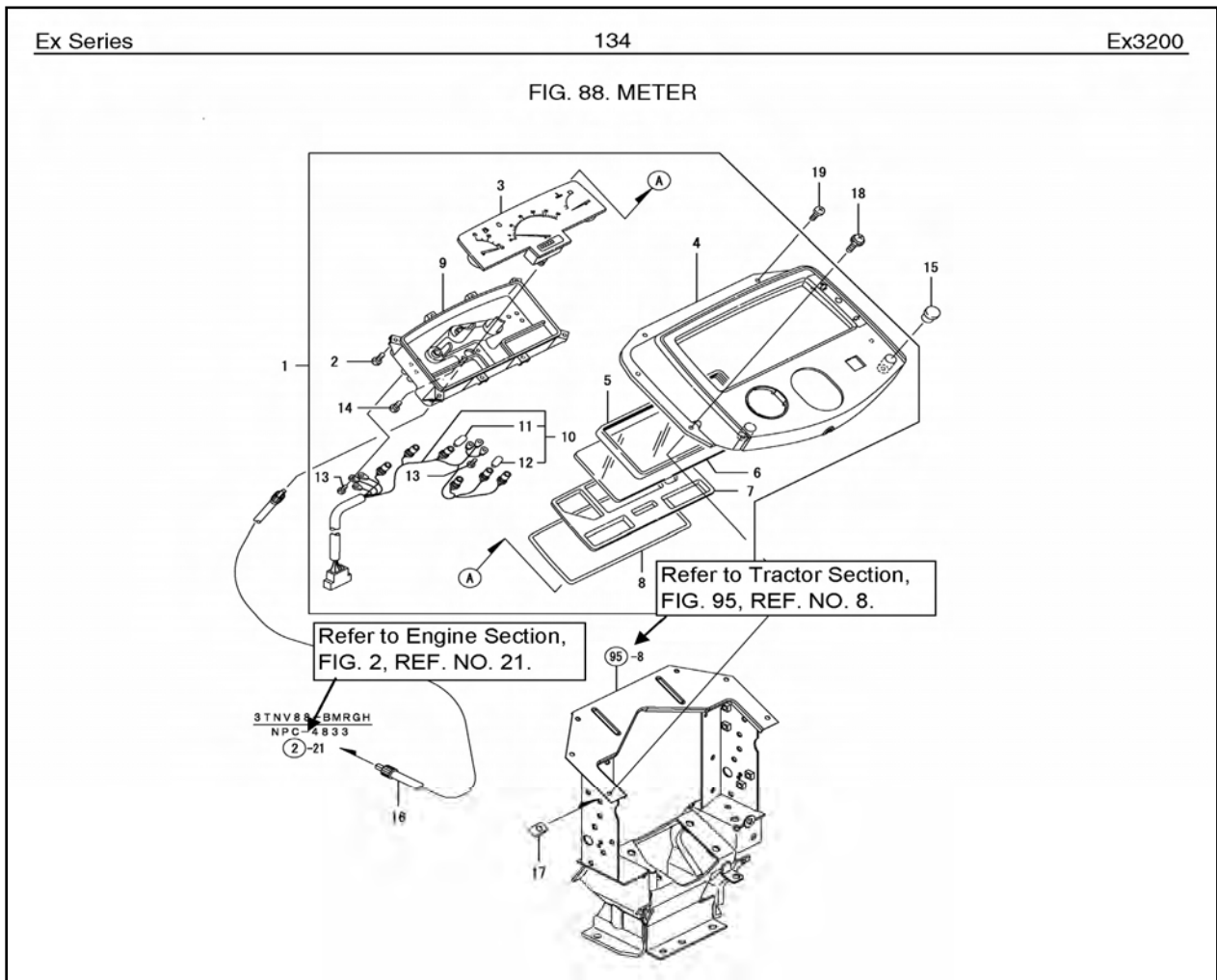
Version 1.0
Code No: NPC-4832P110

INSTRUCTIONS FOR PARTS LIST MANUAL

ENGINE SECTION - PAGES 3 THROUGH 26

TRACTOR SECTION - PAGES 27 THROUGH 181

EXAMPLE - FIGURE & REFERENCE NUMBERS



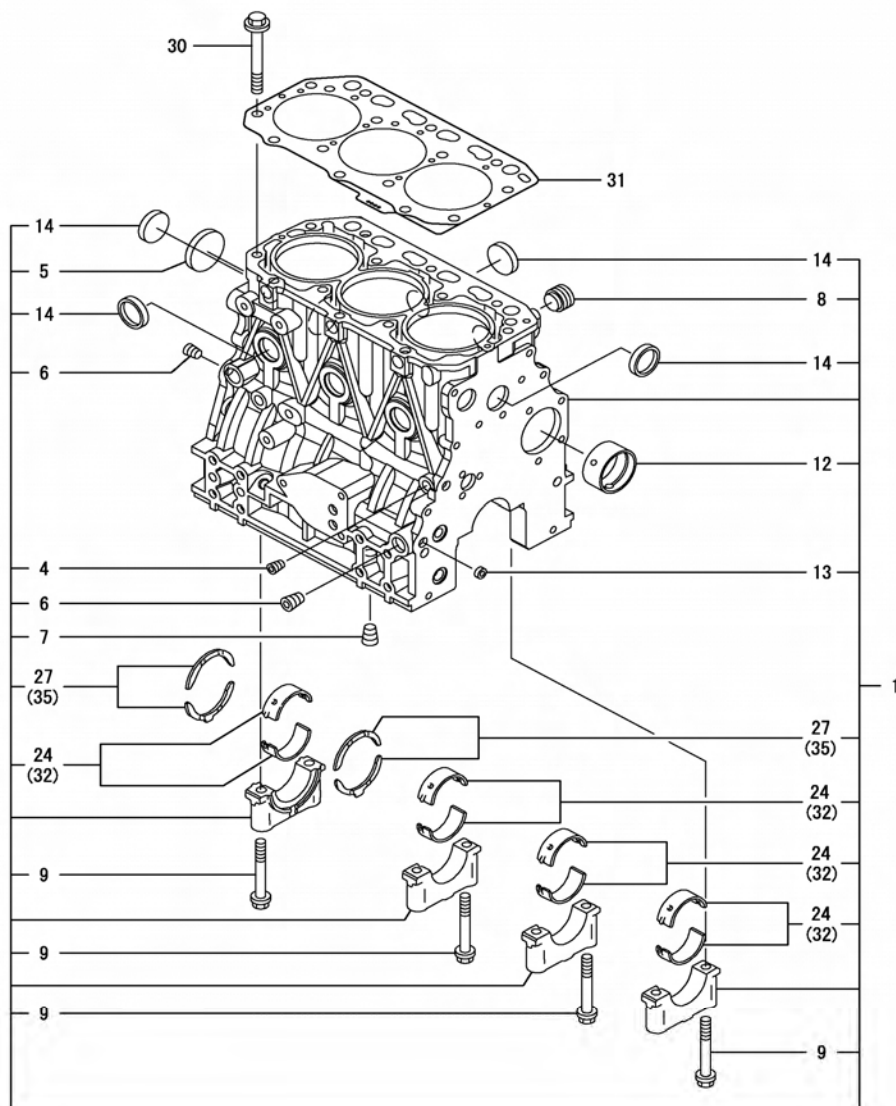
ENGINE SECTION INDEX

<u>FIG. NO.</u>	<u>GROUP NAME</u>
1	CYLINDER BLOCK
2	GEAR HOUSING
3	OIL PAN & REAR ENGINE PLATE
4	CYLINDER HEAD & VALVE COVER
5	INTAKE MANIFOLD
6	EXHAUST MANIFOLD & MUFFLER
7	CAMSHAFT & TIMING PARTS
8	CRANKSHAFT & PISTON
9	HYDRAULIC PUMP
10	LUBRICATING PARTS
11	COOLING WATER SYSTEM
12	FUEL INJECTION PUMP
13	GOVERNOR
14	FUEL SUPPLY PARTS
15	STARTER
16	ALTERNATOR

TRACTOR SECTION STARTS ON PAGE 27

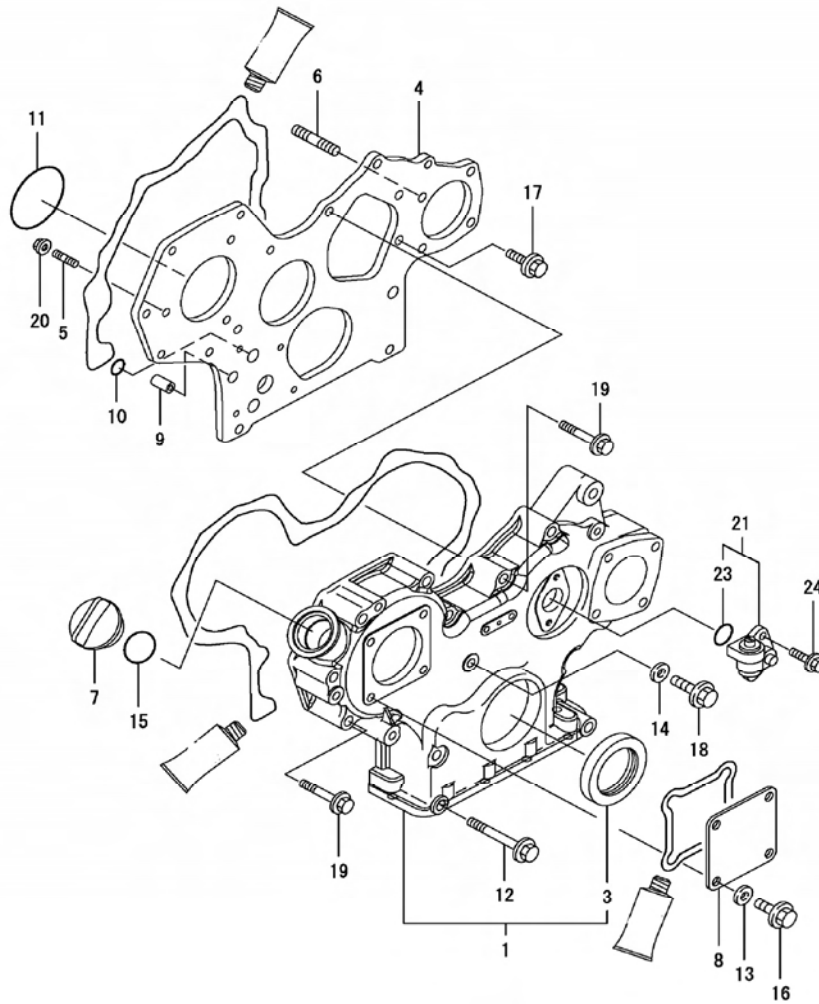
NOTES:

FIG. 1. CYLINDER BLOCK



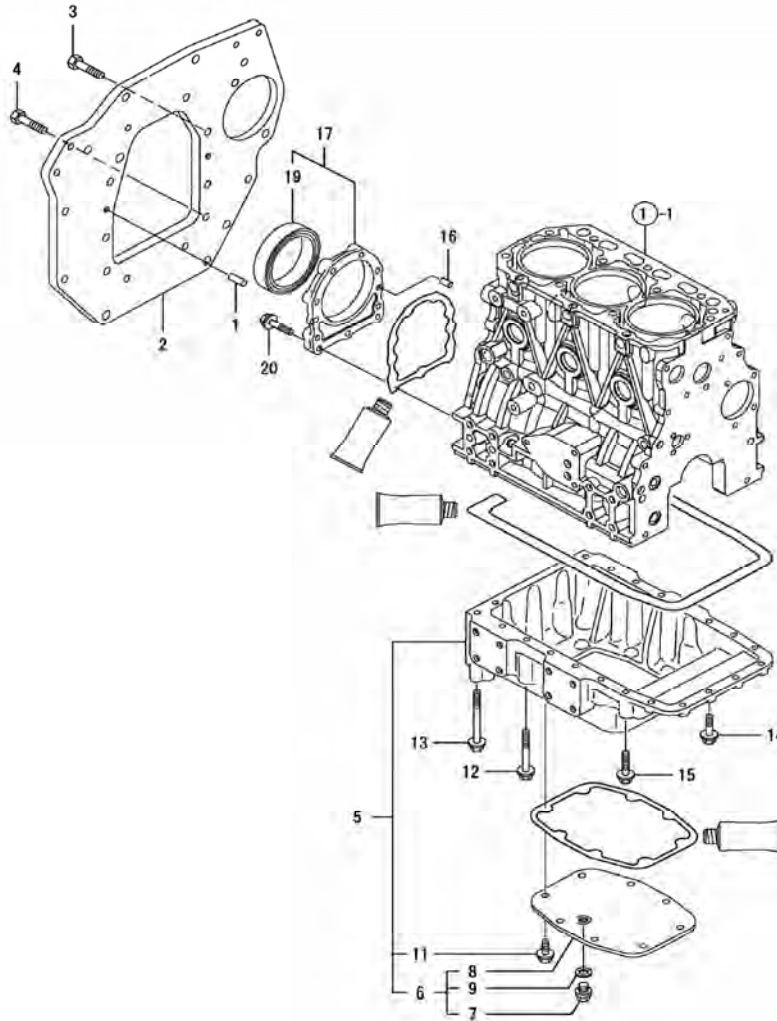
REF NO.	PART NUMBER	DESCRIPTION	QTY
1	CY-729005-01562	BLOCK ASSY, CYLINDER	1
4	CY-124060-01050	PLUG PT1/8	1
5	CY-129001-01250	PLUG 50	1
6	CY-124160-01910	PLUG PT1/4	2
7	CY-124160-01910	PLUG PT1/4	1
8	CY-171051-01921	PLUG	1
9	CY-129150-02020	BOLT, METAL CAP	8
12	CY-129795-02412	BUSH, CAMSHAFT	1
13	CY-27241-120000	PLUG 12	2
14	CY-27241-300000	PLUG 30	6
24	CY-129001-02931	MAIN BEARING SET	4
27	CY-129150-02931	METAL, THRUST	2
30	CY-129150-01200	STUD, CYL. HEAD	14
31	CY-129001-01340	GASKET, (NON-ASB.)	1
32	CY-129150-02871	MAIN METAL US=0.25 UNDER-SIZE	4
35	CY-129150-02941	METAL, THRUST.25 (2PIE) OVER-SIZE	1

FIG. 2. GEAR HOUSING



REF NO.	PART NUMBER	DESCRIPTION	QTY
1	CY-729008-01500	GEAR CASE ASSY W/SEAL	1
3	CY-119934-01800	SEAL, OIL	1
4	CY-129008-01520	FLANGE, GEAR CASE	1
5	CY-119802-01561	STUD, M8X25	3
6	CY-129150-01580	STUD 8 X 30	1
7	CY-124160-01751	COVER, FILLER	1
8	CY-124240-01871	COVER, HO-P	1
9	CY-129795-01950	PIPE, KNOCK L=18	2
10	CY-119609-32040	O-RING P16	2
11	CY-121850-51960	O-RING, F.I.PUMP	1
12	CY-129001-91841	BOLT, M8X85	3
13	CY-22190-080002	SEAL WASHER 8S	4
14	CY-22190-080002	SEAL WASHER 8S	1
15	CY-24311-000320	O-RING 1A P-32.0	1
16	CY-26106-080162	BOLT M 8X 16 PLATED	4
17	CY-26106-080162	BOLT M 8X 16 PLATED	3
18	CY-26106-080302	BOLT M 8X 30 PLATED	1
19	CY-26106-080552	BOLT M 8X 55 PLATED	10
20	CY-26306-080002	NUT	3
21	CY-129150-91400	GEAR UNIT, TACHOMETER	1
23	CY-24341-000240	O-RING 1A S-24.0	1
24	CY-26106-060162	BOLT M 6X 16 PLATED	2

FIG. 3. OIL PAN & REAR ENGINE PLATE



REF NO.	PART NUMBER	DESCRIPTION	QTY
1	CY-129100-01580	PARALLEL PIN 8X16	2
2	CY-129129-01600	PLATE, REAR MOUNTING	1
3	CY-26206-100202	BOLT M10X20	6
4	CY-26206-100202	BOLT M10X20	4
5	CY-129129-01550	PAN ASSY, ENGINE OIL	1
6	CY-129129-01540	COVER ASSY, OIL PAN	1
7	CY-105425-01690	PLUG M16	1
8	CY-129150-01721	COVER, OIL PAN	1
9	CY-22190-160002	SEAL WASHER 16S	1
11	CY-26106-080122	BOLT M 8X 12 PLATED	8
12	CY-129001-91841	BOLT, M8X85	8
13	CY-129001-91910	BOLT, M8X120	4
14	CY-26106-080252	BOLT M 8X 25 PLATED	6
15	CY-26106-080502	BOLT M 8X 50 PLATED	4
16	CY-129100-01580	PARALLEL PIN 8X16	2
17	CY-729402-01650	CASE ASSY, OIL SEAL	1
19	CY-129120-01780	SEAL, OIL	1
20	CY-129486-01670	BOLT M8X30, COLLAR HD	9

FIG. 4. CYLINDER HEAD & VALVE COVER

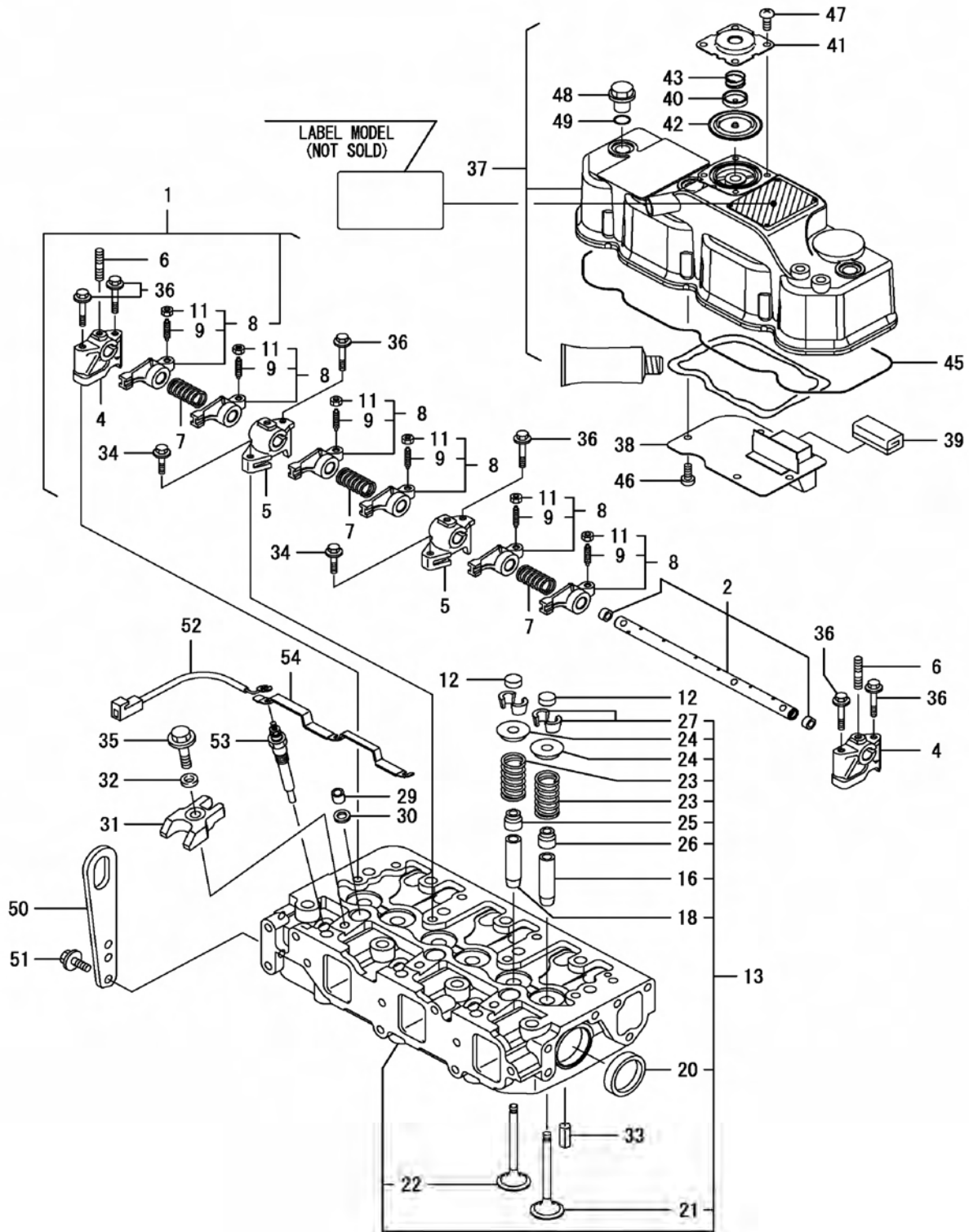
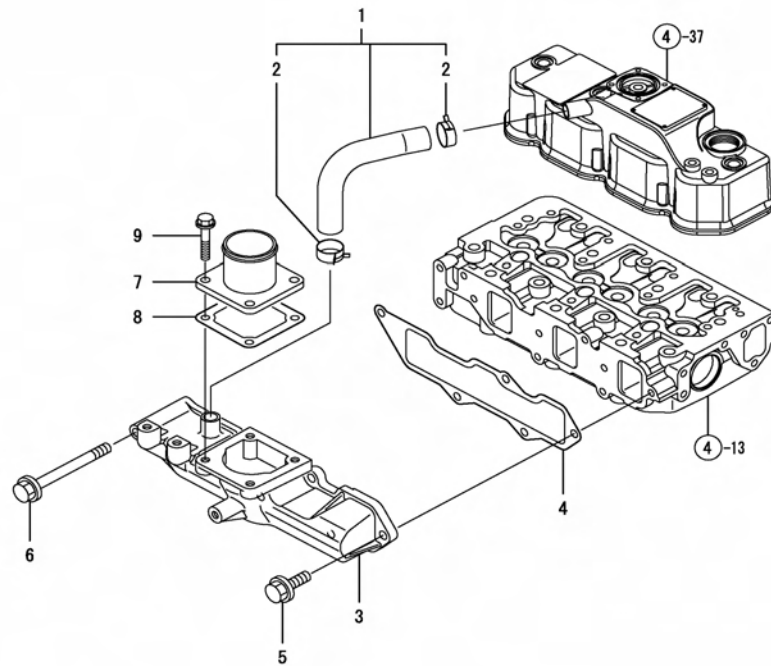


FIG 4. CYLINDER HEAD & VALVE COVER

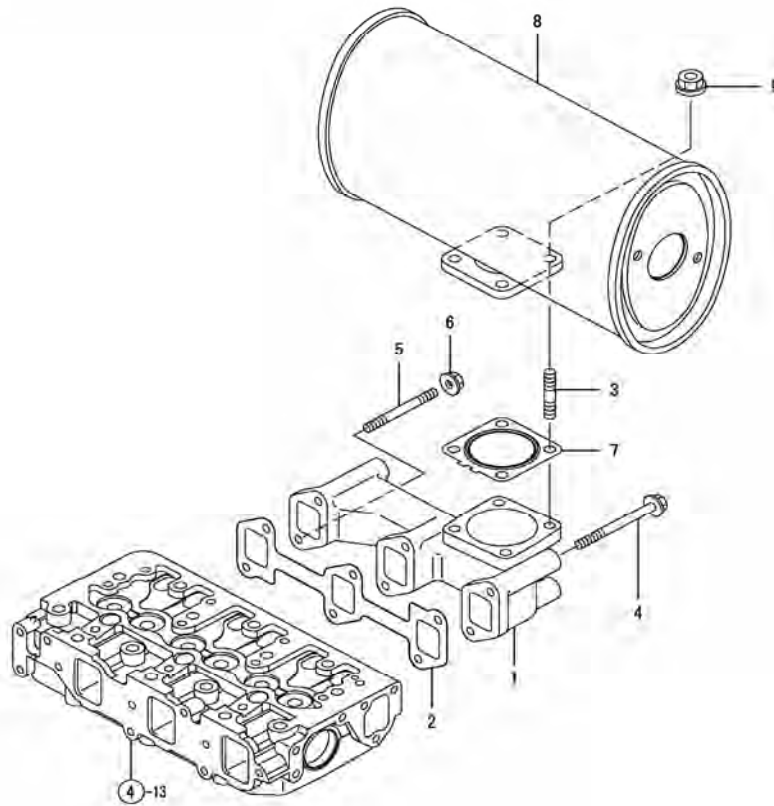
REF NO.	PART NUMBER	DESCRIPTION	QTY
1	CY-129004-11241	SHAFT ASSY, ROCKER	1
2	CY-129004-11251	SHAFT, ROCKER ARM	1
4	CY-119802-11260	SUPPORT, ROCKER ARM	2
5	CY-119802-11270	SUPPORT, ROCKER ARM	2
6	CY-119802-11280	STUD, 8X18	3
7	CY-129150-11280	SPRING	3
8	CY-129004-11650	ARM ASSY, ROCKER	6
9	CY-129150-11230	SCREW, VALVE	6
11	CY-129150-11750	NUT M8XP1.0	6
12	CY-129150-11370	CAP, VALVE	6
13	CY-129008-11700	HEAD ASSY, CYLINDER	1
16	CY-120130-11860	GUIDE, VALVE	3
18	CY-129150-11810	GUIDE, VALVE	3
20	CY-27241-400000	PLUG 40	2
21	CY-129005-11100	VALVE, INTAKE	3
22	CY-129100-11112	VALVE, EXHAUST	3
23	CY-129795-11120	SPRING, VALVE	6
24	CY-129795-11180	RETAINER, SPRING	6
25	CY-121400-11340	SEAL, VALVE STEM	3
26	CY-124460-11340	SEAL, VALVE STEM	3
27	CY-27310-080001	COTTER 8	6
29	CY-119802-11870	PROTECTOR, NOZZLE	3
30	CY-119625-11880	SEAT, NOZZLE	3
31	CY-129004-11900	RETAINER, NOZZLE	3
32	CY-120270-54410	WASHER	3
33	CY-22351-060012	SPRING PIN 6X12	2
34	CY-26106-080252	BOLT M 8X 25 PLATED	2
35	CY-26106-080352	BOLT M 8X 35 PLATED	3
36	CY-26106-080502	BOLT M 8X 50 PLATED	6
37	CY-129055-11350	COVER ASSY, VALVE	1
38	CY-129004-03010	PLATE, BAFFLE	1
39	CY-129150-03070	BAFFLE, BREATHER	1
40	CY-119802-03110	PLATE, DIAPHRAGM	1
41	CY-119802-03121	COVER, DIAPHRAGM	1
42	CY-119802-03130	DIAPHRAGM	1
43	CY-119802-03141	SPRING, DIAPHRAGM	1
45	CY-129004-11310	GASKET, VALVE COVER	1
46	CY-22857-500100	SCREW 5X10,TAPPING	4
47	CY-22857-500100	SCREW 5X10,TAPPING	4
48	CY-124160-11360	KNOB	3
49	CY-24311-000120	O-RING 1A P 12.0	3
50	CY-129900-07900	LIFTER, ENGINE	1
51	CY-26106-080162	BOLT M 8X 16 PLATED	2
52	CY-119803-77830	HARNES, GLOW PLUG	1
53	CY-129008-77800	PLUG, GLOW	3
54	CY-129008-77820	CONNECTOR, GLOW PLUG	1

FIG. 5. INTAKE MANIFOLD



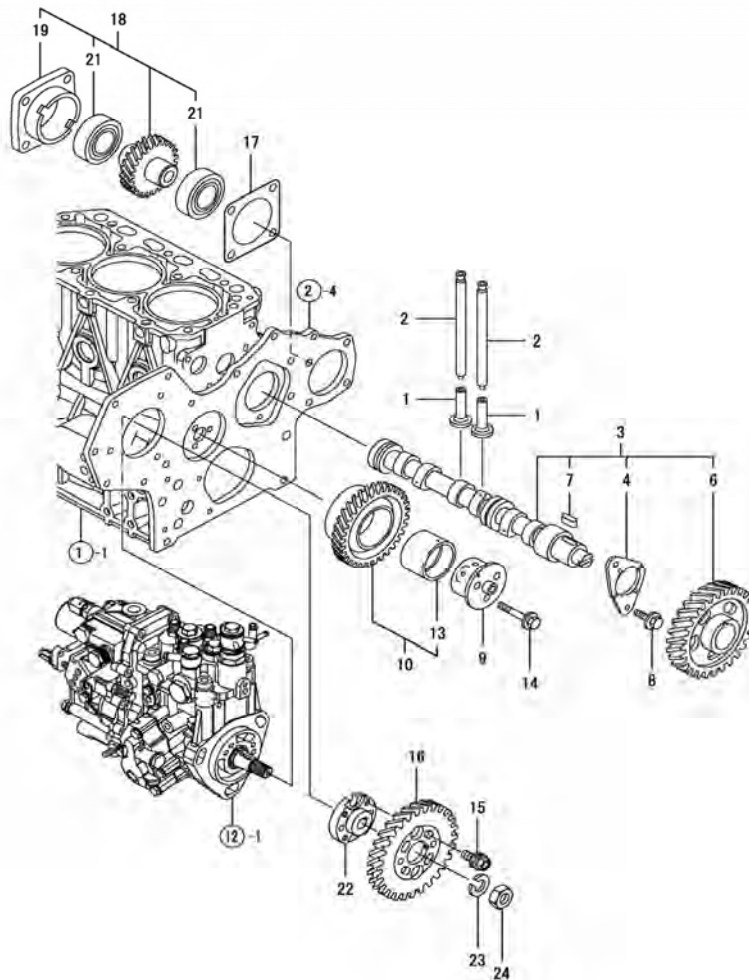
REF NO.	PART NUMBER	DESCRIPTION	QTY
1	CY-129005-03080	PIPE, BREATHER	1
2	CY-129410-03990	CLAMP 22	2
3	CY-129005-12100	MANIFOLD, INTAKE	1
4	CY-129001-12110	GASKET,INT. MANIFOLD	1
5	CY-26106-080202	BOLT M 8X 20 PLATED	4
6	CY-26106-080802	BOLT M 8X 80 PLATED	1
7	CY-129486-12581	PIPE, INTAKE	1
8	CY-129150-77511	GASKET, (NON-ASB.)	1
9	CY-26106-080202	BOLT M 8X 20 PLATED	4

FIG. 6. EXHAUST MANIFOLD & MUFFLER



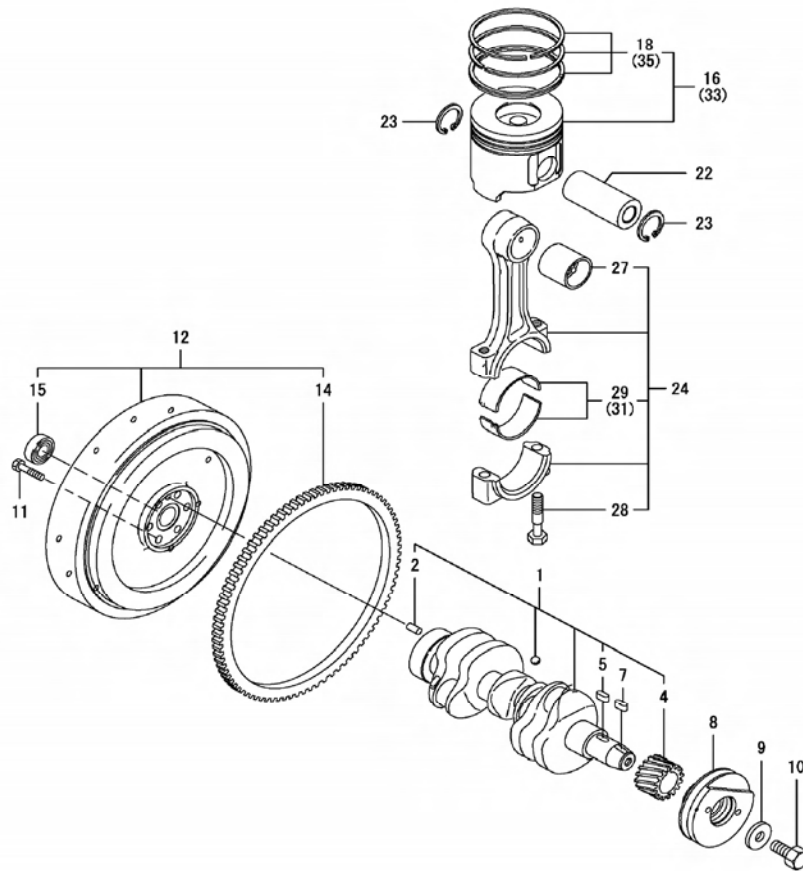
REF NO.	PART NUMBER	DESCRIPTION	QTY
1	CY-129269-13100	MANIFOLD, EXHAUST	1
2	CY-129150-13110	GASKET, MANIFOLD	1
3	CY-119131-18320	BOLT M 8X 22	4
4	CY-123900-13630	BOLT 8X80	4
5	CY-129263-13220	BOLT M8X95	2
6	CY-26306-080002	NUT	2
7	CY-129004-13200	GASKET, MUFFLER	1
8	CY-129055-13521	MUFFLER	1
9	CY-26306-080002	NUT	4

FIG. 7. CAMSHAFT & TIMING PARTS



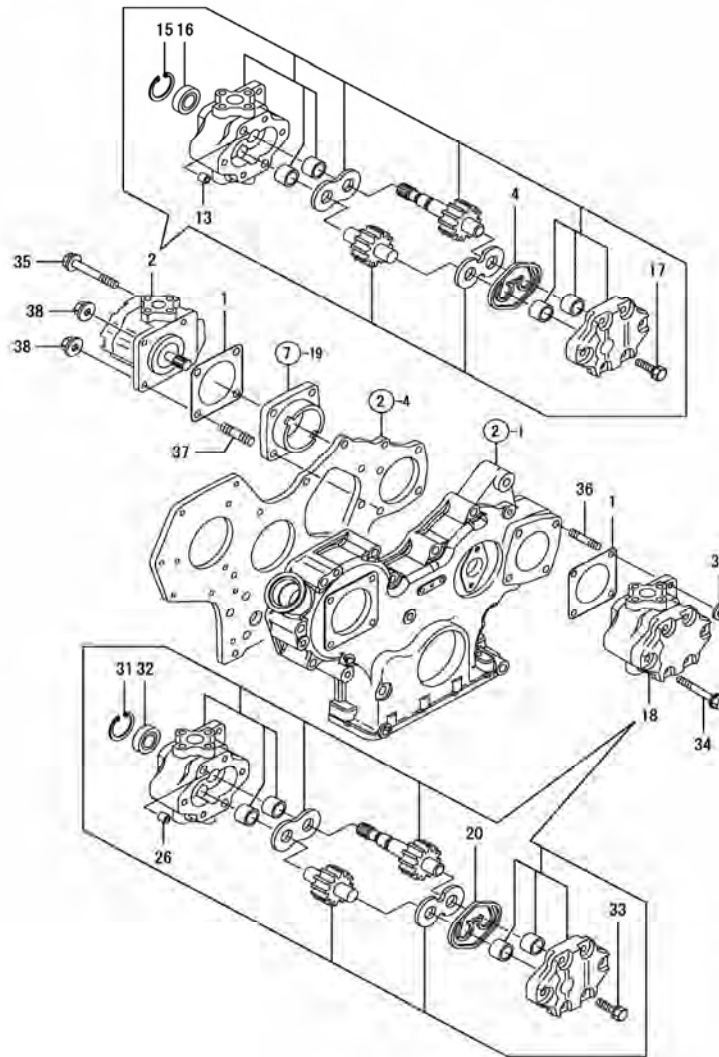
REF NO.	PART NUMBER	DESCRIPTION	QTY
1	CY-129150-14200	TAPPET	6
2	CY-129150-14400	ROD, PUSH	6
3	CY-129129-14580	CAMSHAFT ASSY	1
4	CY-129150-02450	METAL, THRUST CAM	1
6	CY-129150-14101	GEAR, CAMSHAFT	1
7	CY-22512-070140	KEY 7X 14	1
8	CY-26106-080142	BOLT 8X 14 PLATED	2
9	CY-119803-25050	SHAFT, IDLE GEAR	1
10	CY-119802-25101	GEAR ASSY, IDLE	1
13	CY-119802-25071	BUSH, IDLE GEAR	1
14	CY-26106-080402	BOLT M 8X 40 PLATED	3
15	CY-129150-25301	BOLT, INJECTION PUMP GEAR	4
16	CY-119802-25901	GEAR, PUMP	1
17	CY-129150-01881	GASKET, (NON ASB.)	1
18	CY-129150-26000	GEAR ASSY, HYD PUMP CAM	1
19	CY-129150-26050	BRACKET, HYD PUMP GEAR	1
21	CY-24105-060064	BALL BEARING	2
22	CY-158552-51151	FLANGE	1
23	CY-22217-140000	SPRING WASHER 14	1
24	CY-26776-140002	LOCK NUT M14 PLATED	1

FIG. 8. CRANKSHAFT & PISTON



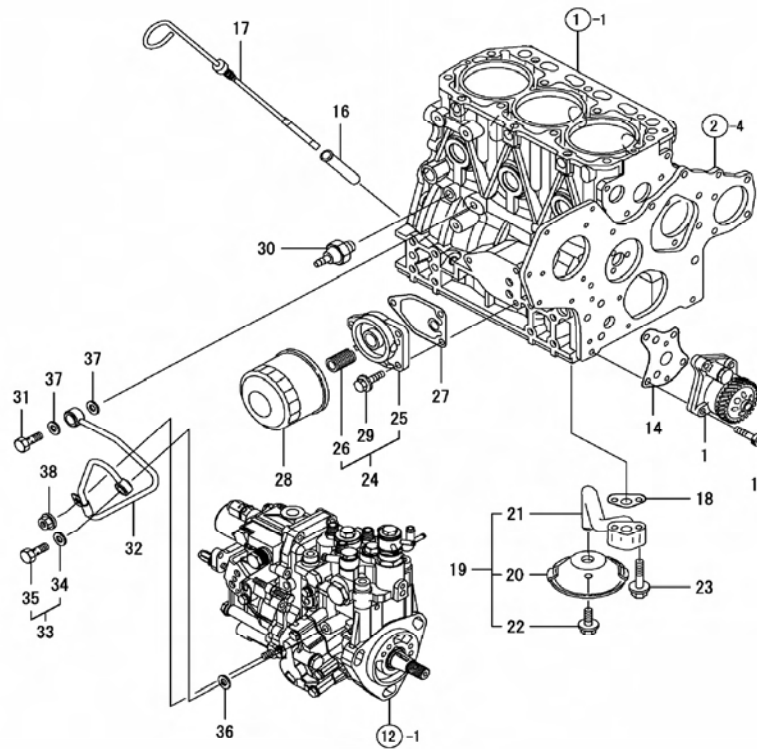
REF NO.	PART NUMBER	DESCRIPTION	QTY
1	CY-129008-21000	CRANKSHAFT ASSY	1
2	CY-129100-01580	PARALLEL PIN 8X16	1
4	CY-119803-21200	GEAR, CRANKSHAFT	1
5	CY-22512-070140	KEY 7X 14	1
7	CY-22512-070140	KEY 7X 14	1
8	CY-129055-21650	V-PULLEY, CRANKSHAFT	1
9	CY-129795-21661	WASHER	1
10	CY-121850-21680	BOLT, V-PULLEY	1
11	CY-124160-21501	BOLT, FLYWHEEL	6
12	CY-129269-21590	FLYWHEEL ASSY	1
14	CY-119865-21600	GEAR, RING	1
15	CY-121820-21690	BEARING	1
16	CY-129005-22080	PISTON ASSY	3
18	CY-129005-22500	RING SET, PISTON	3
22	CY-129202-22300	PIN, PISTON	3
23	CY-22252-000260	CLIP, PISTON PIN	6
24	CY-729402-23100	ROD ASSY, CONNECTING	3
27	CY-129100-23910	BUSH, PISTON PIN	3
28	CY-121550-23200	BOLT, CONNECTING ROD	6
29	CY-129150-23601	BEARING SET, CON-ROD	3
31	CY-129150-23611	BEARING SET, CON-ROD US=0.25	3
33	CY-129005-22900	PISTON W/RING OS=.25	3
35	CY-129005-22950	RING SET OS=0.25	3

FIG. 9. HYDRAULIC PUMP



REF NO.	PART NUMBER	DESCRIPTION	QTY
1	CY-124240-01883	GASKET, (NON-ASB.)	2
2	CY-178070-16000	PUMP, HYDRAULIC	1
4	CY-178070-10401	SQUARE RING	1
13	CY-194521-41570	PIN 11X7	2
15	CY-22252-000320	CIRCLIP 32	1
16	CY-24421-153207	SEAL TC15 32 07, OIL	1
17	CY-26016-080352	BOLT M 8X 35	4
18	CY-178070-44000	PUMP, HYDRAULIC	1
20	CY-178070-10401	SQUARE RING	1
26	CY-194521-41570	PIN 11X7	2
31	CY-22252-000320	CIRCLIP 32	1
32	CY-24421-153207	SEAL TC15 32 07, OIL	1
33	CY-26016-080352	BOLT M 8X 35	4
34	CY-26106-080802	BOLT M 8X 80 PLATED	2
35	CY-26106-080952	BOLT M 8X 95 PLATED	2
36	CY-26216-080222	STUD M 8X 22 PLATED	2
37	CY-26216-080402	STUD M 8X 40 PLATED	1
38	CY-26306-080002	NUT	4

FIG. 10. LUBRICATING PARTS



REF NO.	PART NUMBER	DESCRIPTION	QTY
1	CY-129001-32001	PUMP ASSY, ENGINE OIL	1
14	CY-129150-32020	GASKET, ENGINE OIL PUMP	1
15	CY-26450-060252	BOLT M 6X 25	4
16	CY-121520-34810	TUBE, DIPSTICK	1
17	CY-119265-34830	DIPSTICK, ENGINE OIL	1
18	CY-129150-35042	GASKET, (NON-ASB.)	1
19	CY-129129-35090	PICK-UP ASSY, ENGINE OIL	1
20	CY-129129-35010	INLET	1
21	CY-129129-35080	PIPE, ENGINE OIL PICK-UP	1
22	CY-26106-080122	BOLT M 8X 12 PLATED	1
23	CY-26106-080352	BOLT M 8X 35 PLATED	2
24	CY-119802-35100	BRACKET ASSY, FILTER	1
25	CY-119802-35110	BRACKET, FILTER	1
26	CY-129100-35140	STUD	1
27	CY-129150-35111	GASKET, (NON-ASB.)	1
28	CY-129150-35160	FILTER 80X80L	1
29	CY-26106-080202	BOLT M 8X 20 PLATED	3
30	CY-114250-39450	SWITCH,(0.5KG) ENGINE OIL	1
31	CY-124160-39140	BOLT, BANJO	1
32	CY-119802-39450	PIPE ASSY, INJECTION PUMP	1
33	CY-129005-59830	BOLT WITH SEAL	1
34	CY-22190-080002	SEAL WASHER 8S	1
35	CY-23857-030000	BOLT, BANJO	1
36	CY-22190-080002	SEAL WASHER 8S	1
37	CY-22190-100002	SEAL WASHER 10S	2
38	CY-26366-060002	NUT M 6	1

FIG. 11. COOLING WATER SYSTEM

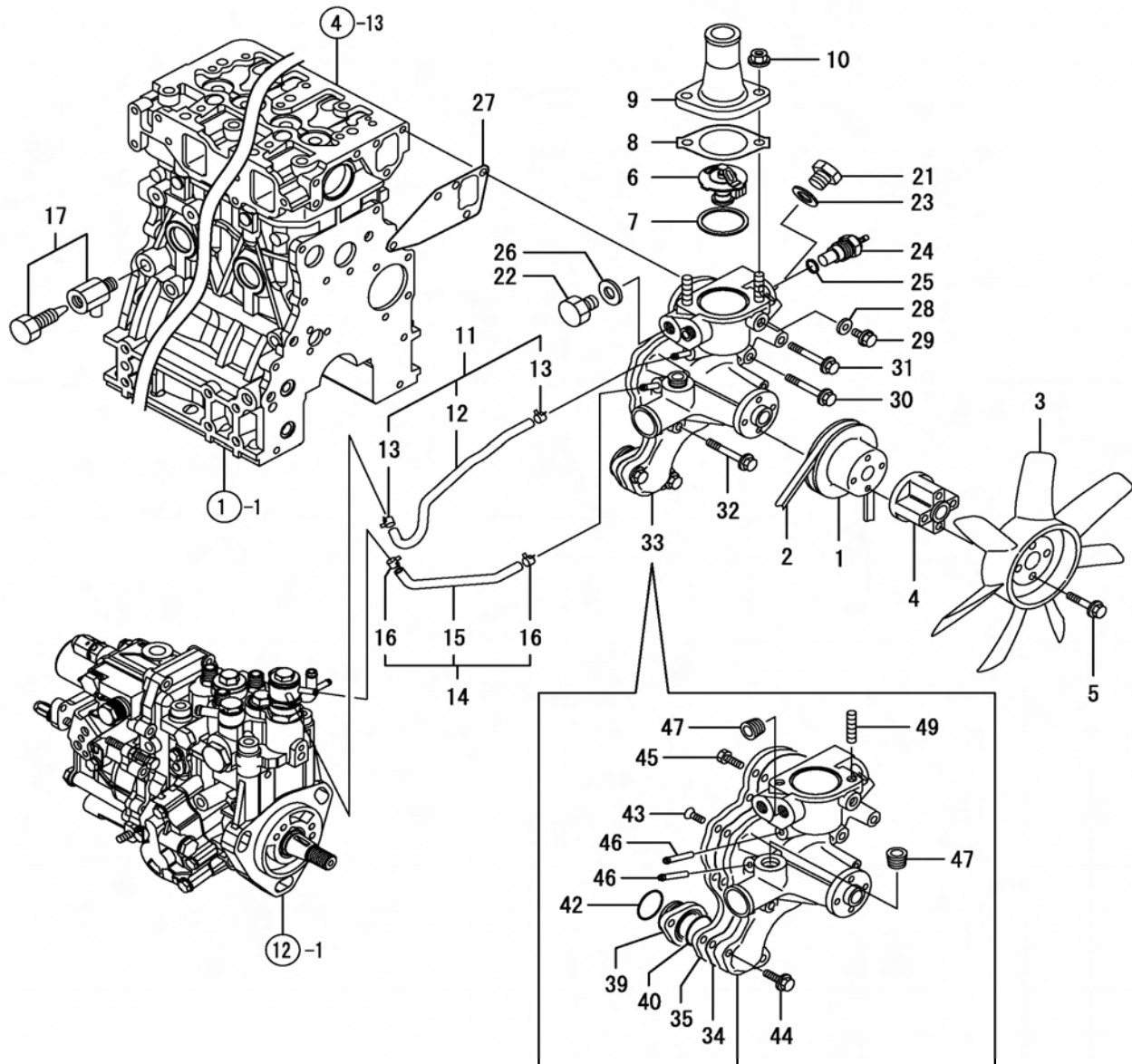


FIG. 11. COOLING WATER SYSTEM

REF NO.	PART NUMBER	DESCRIPTION	QTY
1	CY-129403-42380	V-PULLEY(D=110)	1
2	CY-129211-42290	V-BELT	1
3	CY-129120-44741	FAN, COOLING (D=360)	1
4	CY-129030-44760	SPACER	1
5	CY-26106-060502	BOLT M 6X 50 PLATED	4
6	CY-129155-49801	THERMOSTAT (71)	1
7	CY-129150-49811	GASKET, (NON-ASB.)	1
8	CY-129795-49551	GASKET, (NON-ASB.)	1
9	CY-129350-49560	COVER, THERMOSTAT	1
10	CY-26306-080002	NUT	2
11	CY-129263-49610	PIPE, COOLING WATER	1
12	CY-129263-49710	PIPE, COOLING WATER	1
13	CY-124722-59050	CLAMP 9	2
14	CY-129263-49620	PIPE, COOLING WATER	1
15	CY-129263-49720	PIPE, COOLING WATER	1
16	CY-124722-59050	CLAMP 9	2
17	CY-119620-49290	DRAIN ASSY 1/4	1
21	CY-121450-42450	PLUG M16	1
22	CY-129054-42450	PLUG, M12X1.5	1
23	CY-124465-44950	GASKET 16	1
24	CY-124250-49351	THERMOMETER	1
25	CY-129150-49360	GASKET 10	1
26	CY-22190-120002	SEAL WASHER 12	1
27	CY-129486-42050	GASKET	1
28	CY-23414-080000	GASKET 8, ROUND	1
29	CY-26106-080122	BOLT M 8X 12 PLATED	1
30	CY-26106-080552	BOLT M 8X 55 PLATED	2
31	CY-26106-080602	BOLT M 8X 60 PLATED	1
32	CY-26106-080702	BOLT M 8X 70 PLATED	1
33	CY-129269-42000	PUMP ASSY, WATER	1
34	CY-129457-42050	PACKING	1
35	CY-129457-42121	PLATE	1
39	CY-129150-42301	FLANGE, PUMP	1
40	CY-24358-240310	O-RING 5 24031	1
42	CY-129054-42320	O-RING	1
43	CY-26577-060152	SCREW M 6X 15	3
44	CY-26106-060202	BOLT M 6X 20 PLATED	2
45	CY-26116-060162	BOLT 6X16	5
46	CY-119802-49113	JOINT	2
47	CY-23875-030000	PLUG PT3/8,STEEL	2
49	CY-129555-44750	STUD	2

FIG. 12. FUEL INJECTION PUMP

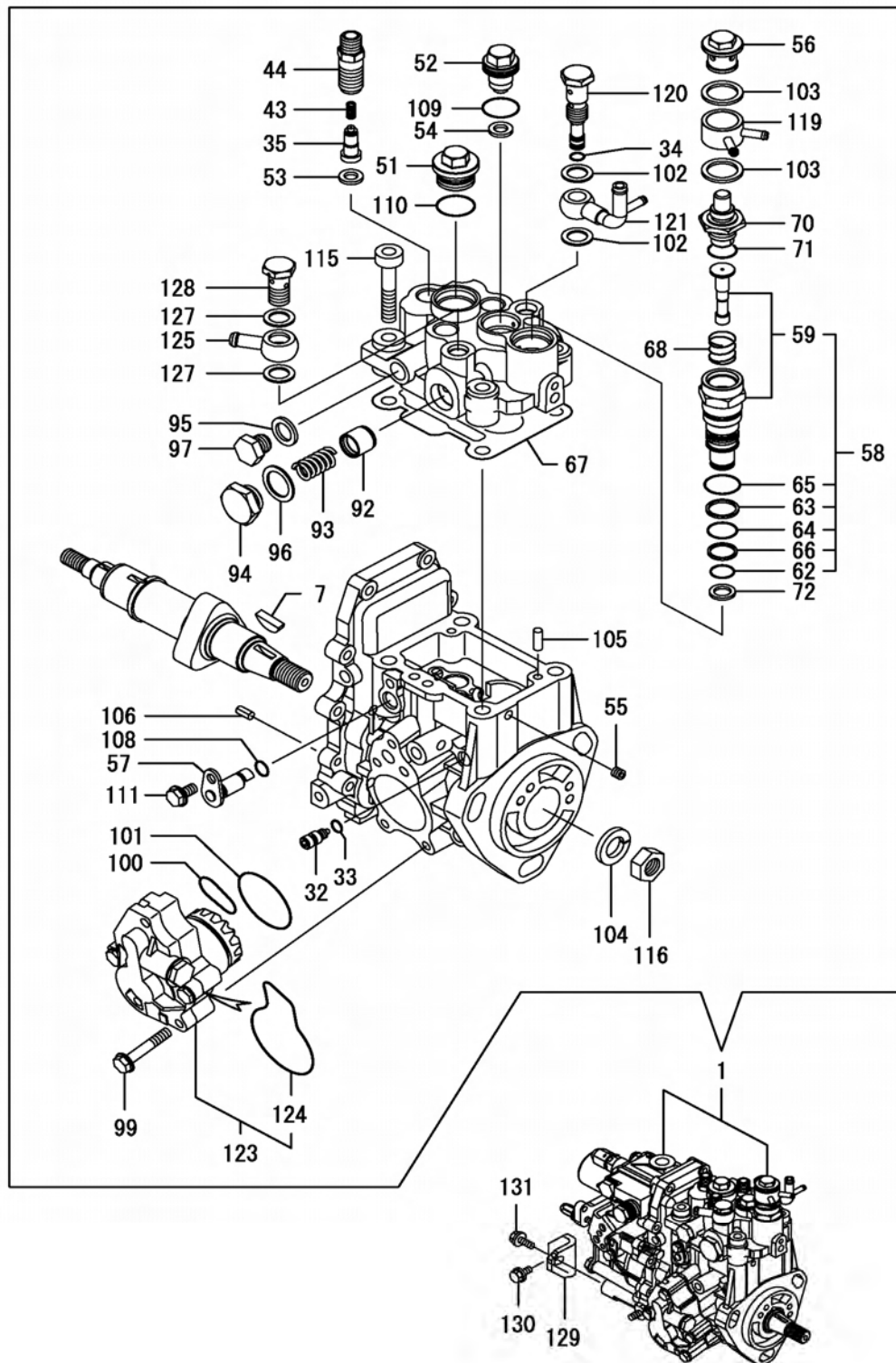
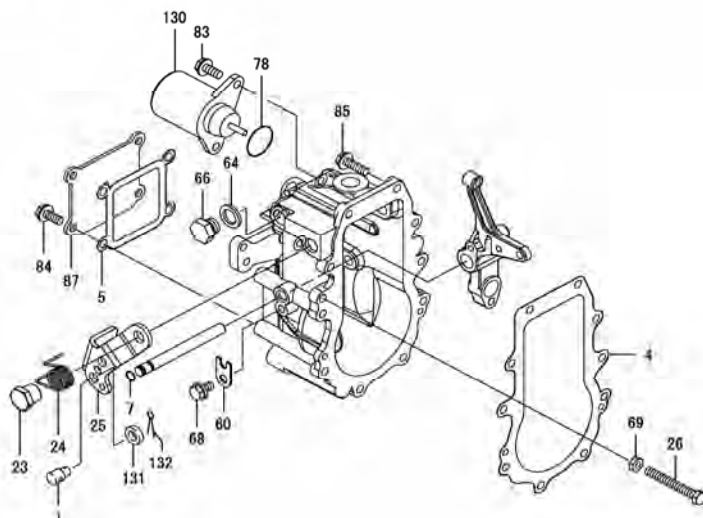


FIG. 12. FUEL INJECTION PUMP

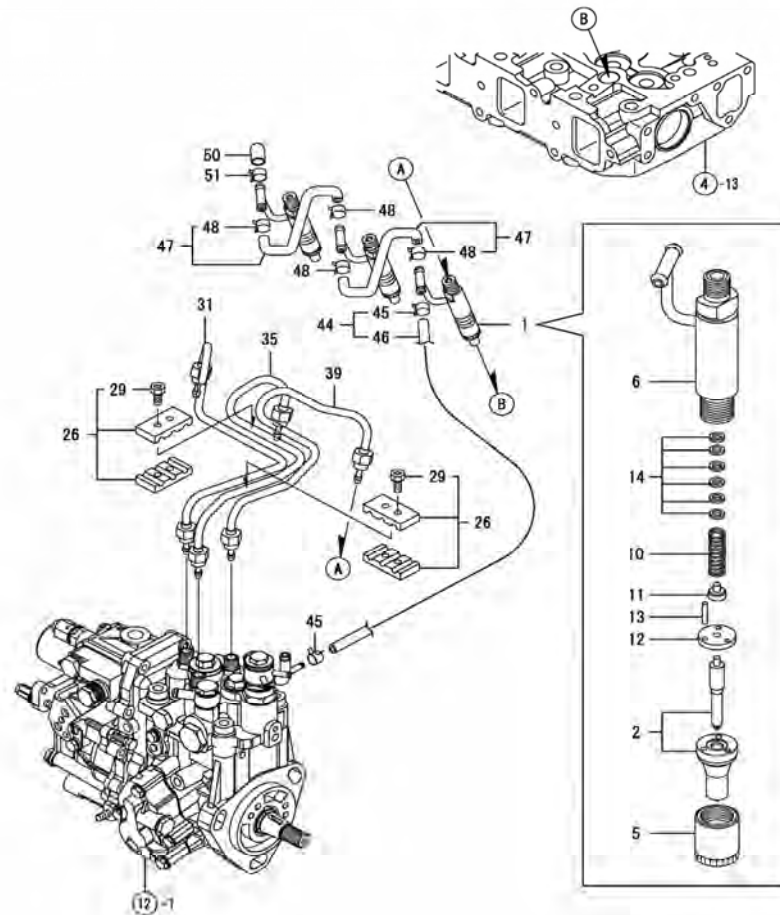
REF NO.	PART NUMBER	DESCRIPTION	QTY	REF NO.	PART NUMBER	DESCRIPTION	QTY
1	CY-729269-51300	INJECTION PUMP ASSY	1	94	CY-158601-51790	PLUG	1
7	CY-119802-51090	KEY, WOODRUFF 4X16	1	95	CY-22190-120002	SEAL WASHER 12	1
32	CY-158600-51270	STOPPER	1	96	CY-22190-180002	SEAL WASHER 18	1
33	CY-158563-51281	O-RING	1	97	CY-23887-120002	PLUG M12, HEX.	1
34	CY-158563-51281	O-RING	1	99	CY-158553-51770	BOLT	4
35	CY-129008-51300	VALVE ASSY, DELIVERY	3	100	CY-158552-52310	O-RING	1
43	CY-158563-51330	SPRING	3	101	CY-158552-52400	O-RING 4E S42	1
44	CY-129008-51340	HOLDER, DELIVERY	3	102	CY-22190-120002	SEAL WASHER 12	2
51	CY-158601-51550	PLUG	1	103	CY-22190-180002	SEAL WASHER 18	2
52	CY-119802-51560	BARREL PLUG	1	104	CY-22217-140000	SPRING WASHER 14	1
53	CY-158552-51570	GASKET	3	105	CY-22312-050140	PARALLEL PIN 5X14	2
54	CY-158552-51570	GASKET	1	106	CY-22351-050010	SPRING PIN 5X10	2
55	CY-158557-51570	PLUG	1	108	CY-24311-000070	O-RING 1A P-7.0	1
56	CY-158601-51570	PLUG, WATER PUMP	1	109	CY-24356-010180	O-RING	1
57	CY-158552-51580	LIFTER	1	110	CY-24356-010200	PACKING, 1020	1
58	CY-119802-51590	TIMER SET	1	111	CY-26106-060102	BOLT 6X 10 PLATED	1
59	CY-119802-51600	TIMER CMP	1	115	CY-26450-080452	BOLT M 8X 45	4
62	CY-158553-51670	O-RING, 1011	1	116	CY-26776-140002	LOCK NUT M14 PLATED	1
63	CY-119802-51680	BACKUP RING	1	119	CY-158553-51551	JOINT, COOLING WATER	1
64	CY-119802-51690	O RING	1	120	CY-158601-51650	JOINT	1
65	CY-24356-010200	PACKING, 1020	1	121	CY-158552-51670	JOINT	1
66	CY-24372-000150	RING, BACKUP T2 P 15	1	123	CY-158552-52100	PUMP ASSY, FEED	1
67	CY-158552-51600	PACKING, HEAD	1	124	CY-158552-52500	O-RING, FEED P INNER	1
68	CY-158553-51630	SPRING, TIMER	1	125	CY-129916-59020	JOINT 12, PIPE	1
70	CY-158553-51640	ELEMENT, THERMO	1	127	CY-22190-120002	SEAL WASHER 12	2
71	CY-158553-51660	O-RING,P14	1	128	CY-23857-060000	JOINT BOLT 6,PIPE	1
72	CY-158553-51680	PACKING, TIMER	1	129	CY-119802-51250	BRACKET, PUMP	1
92	CY-158601-51770	PISTON	1	130	CY-26106-080162	BOLT M 8X 16 PLATED	1
93	CY-158552-51781	DAMPER ASSY	1	131	CY-26106-080202	BOLT M 8X 20 PLATED	1

FIG. 13. GOVERNOR



REF NO.	PART NUMBER	DESCRIPTION	QTY
1	CY-194150-01370	ADJUSTER	1
4	CY-158553-61050	PACKING, CASE	1
5	CY-158553-61070	PACKING	1
7	CY-129155-51280	O-RING S6	1
23	CY-129255-61410	NUT	1
24	CY-119807-61420	SPRING	1
25	CY-158552-61441	LEVER, REGULATOR	1
26	CY-129155-61460	BOLT, IDLE LIMIT	1
60	CY-119660-61901	RETAINER, SHAFT	1
64	CY-22190-120000	SEAL WASHER 12(BOLT)	1
66	CY-23887-120002	PLUG M12,HEX.	1
68	CY-26106-060102	BOLT 6X 10 PLATED	1
69	CY-26756-060002	LOCK NUT 6	1
78	CY-158552-61900	O-RING	1
83	CY-26106-060142	BOLT M 6X 14 PLATED	2
84	CY-26106-060142	BOLT M 6X 14 PLATED	4
85	CY-26106-060202	BOLT M 6X 20 PLATED	10
87	CY-129642-61060	COVER, CASE	1
130	CY-119653-77950	SOLENOID, STOP	1
131	CY-22137-080000	WASHER 8, POLISHED	1
132	CY-22417-160180	COTTER PIN 1.6X18	1

FIG. 14. FUEL SUPPLY PARTS



REF NO.	PART NUMBER	DESCRIPTION	QTY
1	CY-729008-53100	FUEL INJECTOR	3
2	CY-129008-53000	NOZZLE ASSY	3
5	CY-114250-53080	NUT, NOZZLE CASE	3
6	CY-119802-53100	HOLDER ASSY, NOZZLE	3
10	CY-114250-53120	SPRING, NOZZLE	3
11	CY-114250-53130	SEAT, NOZZLE SPRING	3
12	CY-114250-53140	PLATE, STOP	3
13	CY-114250-53210	PIN	6
14	CY-114250-53400	SHIM PACK	3
26	CY-129150-59120	RETAINER, INJ. PIPE	2
29	CY-129150-59131	BOLT M4X14, HEX. SCKT.	4
31	CY-129004-59811	PIPE ASSY, INJECTION	1
35	CY-129004-59821	PIPE ASSY, INJECTION	1
39	CY-129004-59831	PIPE ASSY, INJECTION	1
44	CY-119802-59550	PIPE ASSY, RETURN	1
45	CY-124722-59050	CLAMP 9	2
46	CY-119802-59560	PIPE, FUEL RETURN	1
47	CY-129486-59551	PIPE, FUEL RETURN	2
48	CY-124722-59050	CLAMP 9	4
50	CY-119593-59581	CAP	1
51	CY-124060-77680	CLAMP 10	1

FIG. 15. STARTER

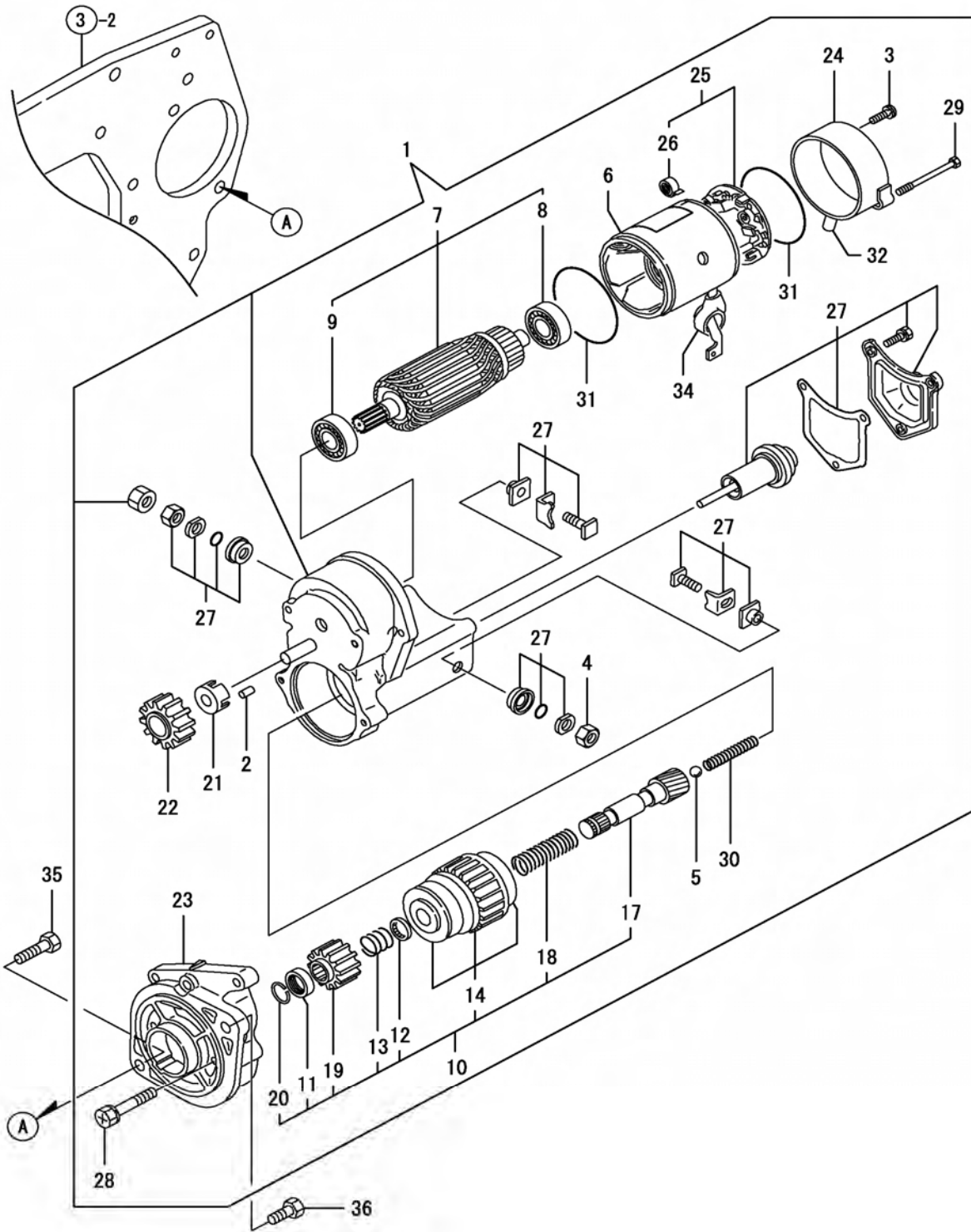


FIG. 15. STARTER

REF NO.	PART NUMBER	DESCRIPTION	QTY
1	CY-129129-77010	STARTER ASSY	1
2	CY-X0283060061	ROLLER	5
3	CY-129129-77460	SCREW	2
4	CY-X9490561370	NUT	1
5	CY-X9491200240	BALL	1
6	CY-129129-77210	YOKE ASSY	1
7	CY-129129-77220	ARMATURE ASSY	1
8	CY-129129-77230	BEARING	1
9	CY-129129-77240	BEARING	1
10	CY-129129-77250	STARTER ASSY	1
11	CY-X0280210230	NUT	1
12	CY-X0283270140	RETAINER	1
13	CY-X9491703371	SPRING, COIL	1
14	CY-129129-77390	CLUTCH ASSY, STARTER	1
17	CY-129129-77400	SHAFT	1
18	CY-129129-77410	SPRING, COIL	1
19	CY-129129-77420	PINION	1
20	CY-129129-77430	RING	1
21	CY-129129-77260	RETAINER	1
22	CY-129129-77270	PINION	1
23	CY-129129-77280	HOUSING	1
24	CY-129129-77290	FRAME	1
25	CY-129129-77300	HOLDER ASSY	1
26	CY-X9491730461	SPRING	4
27	CY-129129-77310	SWITCH ASSY	1
28	CY-129129-77320	BOLT	2
29	CY-129129-77330	BOLT	2
30	CY-129129-77340	SPRING	1
31	CY-129129-77350	O-RING	2
32	CY-129129-77362	COVER	1
34	CY-129129-77380	CAP	1
35	CY-129155-77060	BOLT, STARTER	1
36	CY-26116-120202	BOLT M12X 20 PLATED	1

FIG. 16. ALTERNATOR

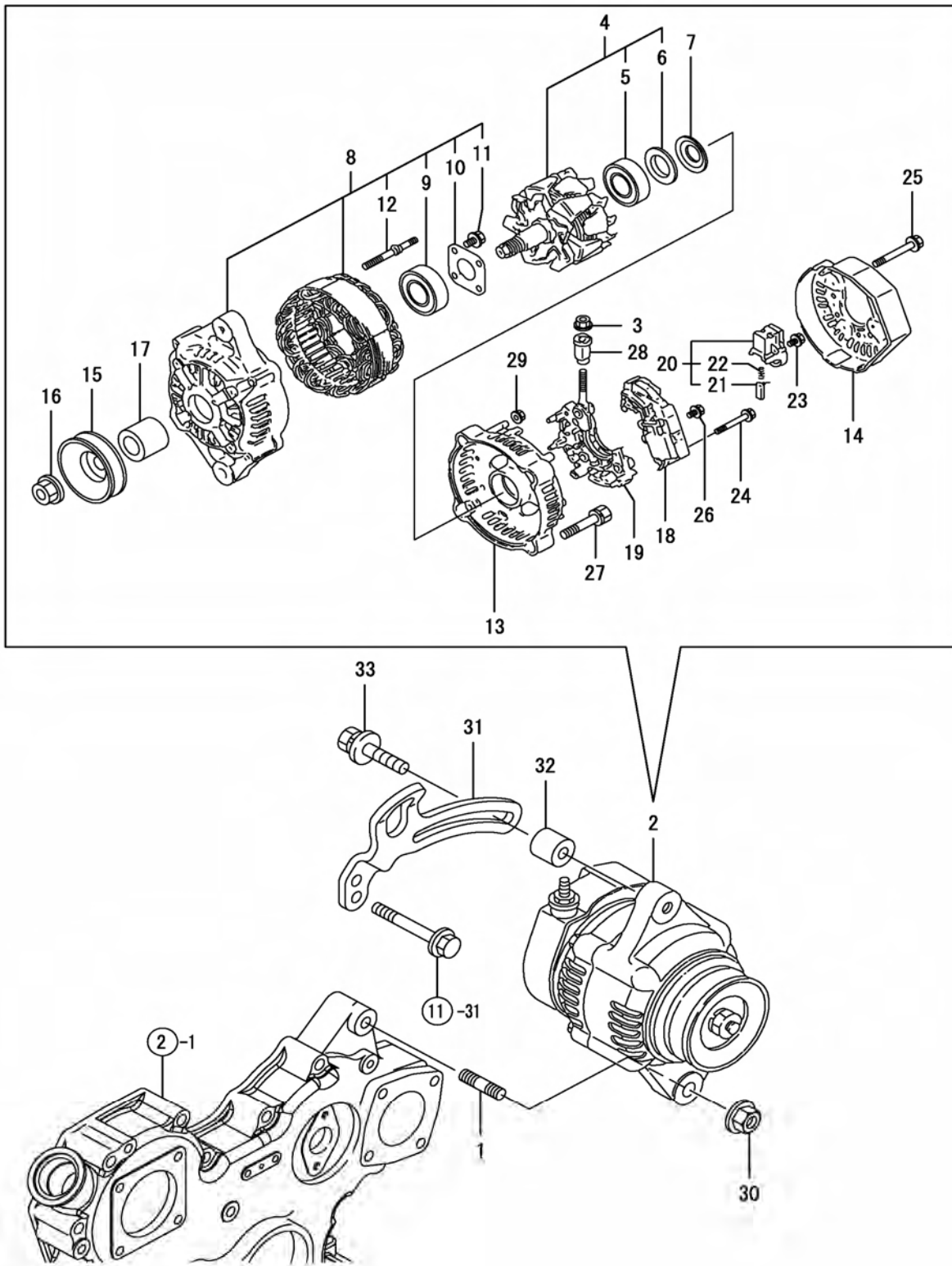


FIG. 16. ALTERNATOR

REF NO.	PART NUMBER	DESCRIPTION	QTY
1	CY-129795-01900	STUD	1
2	CY-119620-77201	ALTERNATOR	1
3	CY-X9490561001	NUT	1
4	CY-119620-77380	ROTOR ASSY	1
5	CY-123501-79240	BEARING, BALL	1
6	CY-119620-79250	COVER, BEARING	1
7	CY-119620-79360	THRUST WASHER	1
8	CY-119620-77421	FLAME ASSY, DRIVE	1
9	CY-119620-79200	BALL BEARING	1
10	CY-119620-79210	PLATE	1
11	CY-119620-79220	SCREW	4
12	CY-119620-79230	BOLT, STUD	2
13	CY-119620-77440	FLAME ASSY, REAR	1
14	CY-119620-77450	COVER	1
15	CY-119620-77461	PULLEY	1
16	CY-119620-77471	NUT	1
17	CY-119620-77490	COLLAR	1
18	CY-119620-77710	REGULATOR ASSY	1
19	CY-119620-79260	HOLDER	1
20	CY-119620-79270	HOLDER, BRUSH	1
21	CY-119620-77480	BRUSH ASSY	2
22	CY-119620-79280	SPRING	2
23	CY-119620-79290	SCREW	6
24	CY-119620-79300	SCREW	1
25	CY-119620-79310	BOLT	3
26	CY-119620-79320	SCREW W/WASHER	2
27	CY-119620-79330	BOLT	2
28	CY-119620-79340	INSULATION BUSH	1
29	CY-119620-79350	NUT	2
30	CY-26306-100002	NUT	1
31	CY-129107-77330	ADJUSTER, BELT	1
32	CY-124732-77340	SPACER	1
33	CY-129972-77341	BOLT, ADJUSTING	1

THIS PAGE INTENTIONALLY LEFT BLANK

TRACTOR SECTION INDEX

<u>FIG. NO</u>	<u>GROUP NAME</u>	<u>FIG. NO</u>	<u>GROUP NAME</u>
ENGINE CONTROL SECTION			
1	ENGINE ACCESSORIES	49	P.T.O. SHIFTER
2	ENGINE ACCESSORIES MOUNTING	50	P.T.O. LEVER
3	ACCELERATOR LEVER	51	FRONT DRIVE
4	EXHAUST	52	HYDROSTATIC (HST)
5	FUEL TANK	53	HST LINK
6	FUEL TANK MOUNTING		
7	EXHAUST MANIFOLD PLATE		
FRONT AXLE SECTION			
8	FRONT FRAME	54	RING GEAR
9	FRONT WEIGHT BRACKET	55	DIFFERENTIAL GEAR
10	CENTER PIN	56	DIFFERENTIAL CARRIER
11	TIE ROD	57	REAR HOUSING
12	RING GEAR	58	DIFFERENTIAL LOCK
13	DIFFERENTIAL GEAR	59	FINAL PINION
14	PROPELLER SHAFT	60	FINAL GEAR & REAR AXLE SHAFT
15	FRONT DRIVE SHAFT	61	REAR WHEEL TIRE (BAR)
16	FRONT AXLE CASE	62	REAR WHEEL TIRE (TURF)
17	FRONT GEAR CASE	63	REAR WHEEL TIRE
18	FRONT SHAFT	64	HUB BOLT(REAR)
19	FRONT SPINDLE	65	HYDRAULIC PEDAL
20	SHAFT COVER	66	SHOCK ABSORBER
21	FRONT WHEEL TIRE (BAR)	67	BRAKE
22	FRONT WHEEL TIRE (TURF)	68	BRAKE PEDAL
23	FRONT WHEEL TIRE		
24	HUB BOLT (FRONT)		
25	STEERING WHEEL		
26	POWER STEERING CYLINDER		
27	POWER STEERING VALVE		
28	POWER STEERING LINES		
TRANSMISSION SECTION			
29	CLUTCH HOUSING		
30	DOCKING BOLT		
31	SINGLE CLUTCH		
32	CLUTCH SHAFT		
33	CLUTCH RELEASE		
34	BEARING SLEEVE		
35	CLUTCH PEDAL		
36	TRANSMISSION CASE		
37	CENTER PLATE		
38	BEARING RETAINER		
39	OIL STRAINER		
40	INPUT GEAR		
41	REDUCTION SHAFT		
42	COUNTER SHAFT		
43	P.T.O. DRIVE SHAFT		
44	P.T.O. SHAFT		
45	P.T.O. SHIELD		
46	RANGE LEVER		
47	RANGE LEVER PARTS		
48	CRUISE CONTROL		
REAR AXLE SECTION			
54	RING GEAR		
55	DIFFERENTIAL GEAR		
56	DIFFERENTIAL CARRIER		
57	REAR HOUSING		
58	DIFFERENTIAL LOCK		
59	FINAL PINION		
60	FINAL GEAR & REAR AXLE SHAFT		
61	REAR WHEEL TIRE (BAR)		
62	REAR WHEEL TIRE (TURF)		
63	REAR WHEEL TIRE		
64	HUB BOLT(REAR)		
65	HYDRAULIC PEDAL		
66	SHOCK ABSORBER		
67	BRAKE		
68	BRAKE PEDAL		
HYDRAULIC CONTROL SECTION			
69	HYDRAULIC CYLINDER CASE		
70	PISTON		
71	LIFT CRANK		
72	CONTROL VALVE		
73	RELIEF VALVE		
74	STOP VALVE		
75	SAFETY VALVE		
76	HYDRAULIC SUB CONTROL VALVE		
77	HYDRAULIC CONTROL		
78	HYDRAULIC PIPING		
79	OIL FILTER		
80	OIL COOLER		
81	HYDROSTATIC (HST) LINES & FILTER		
ELECTRICAL PARTS SECTION			
82	WIRE HARNESS		
83	BATTERY		
84	SWITCHES		
85	SEAT SWITCH		
86	LAMPS		
87	FRONT LAMPS		
88	INSTRUMENT PANEL		
89	RELAY		

continued on page 29.....

NOTES:

TRACTOR SECTION INDEX

FIG. NO GROUP NAME

FITING SECTION

continued from page 27

90	FRONT FRAME
91	HOOD
92	FRONT GRILLE
93	SIDE COVER
94	HOOD FRAME
95	DASHBOARD
96	FENDER
97	FENDER STAY
98	STEP
99	STEP AUXILIARY
100	SEAT
101	SEAT BELT
102	LABELS
103	LABELS (SAFETY)

HITCH SECTION

104	THREE POINT LINK
105	DRAFT PIN & TOP HOOK
106	CHECK CHAIN BRACKET
107	DRAW BAR HITCH
108	SAFETY FRAME
109	REAR BRACKET

OPTIONAL SECTION

110	MID P.T.O. KIT 59A40014727 (OPTIONAL)
111	MID P.T.O. KIT 59A40014727 CONTROLS (OPTIONAL)
112	FRONT WEIGHT BRACKET EXTENSIONS (OPTIONAL)
113	POWER BEYOND KIT 59A40022727 (OPTIONAL)
114	WORK LAMP (OPTIONAL)

FIG. 1. ENGINE ACCESSORIES

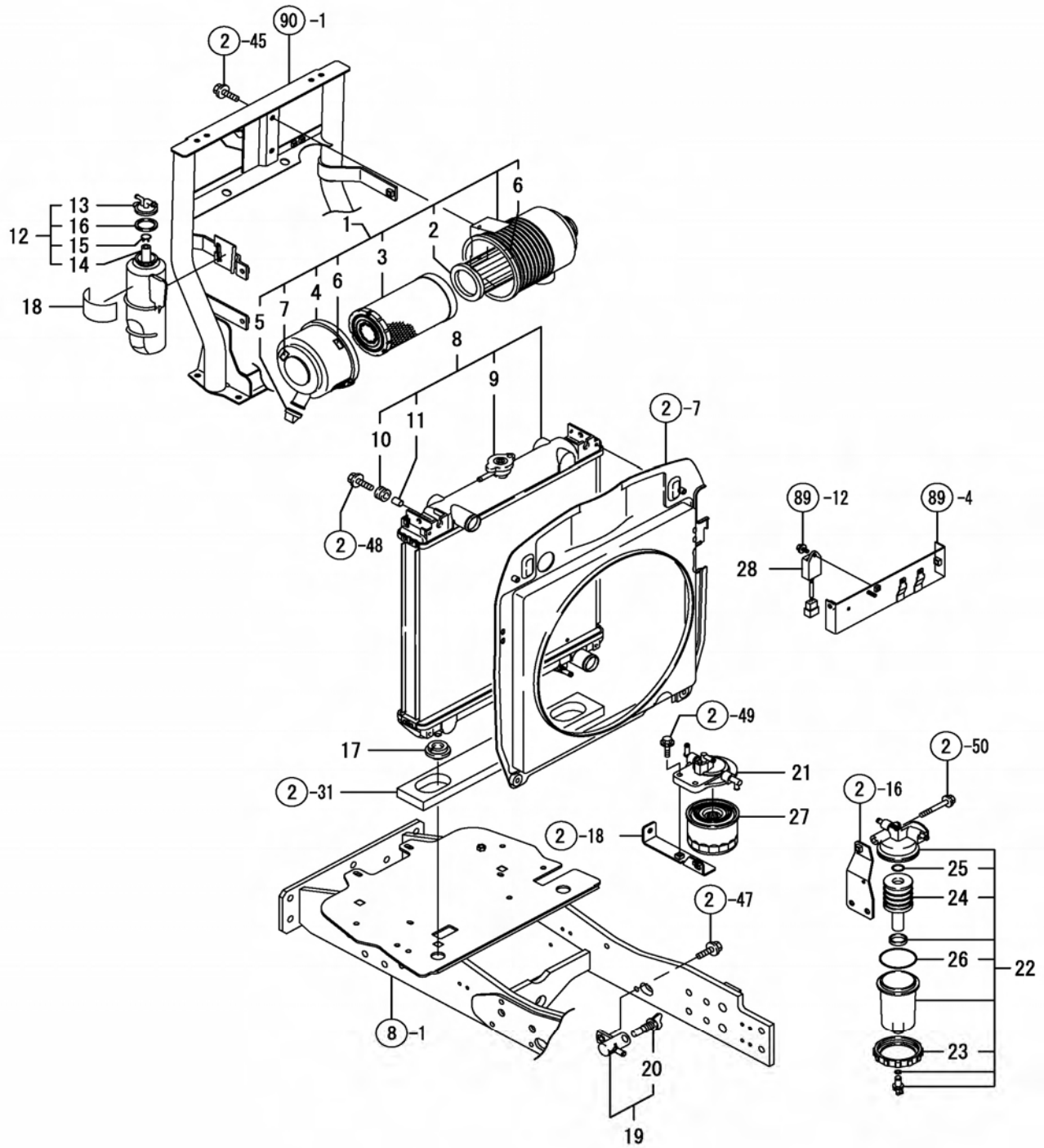


FIG. 1 ENGINE ACCESSORIES

REF NO.	PART NUMBER	DESCRIPTION	QTY
1	CY-129269-12500	CLEANER ASSY, AIR	1
2	CY-129051-12530	ELEMENT, INNER	1
3	CY-129087-12510	ELEMENT 5INCH	1
4	CY-119866-12540	COVER ASSY	1
5	CY-119808-12540	VALVE, UNLOADER	1
6	CY-129418-12530	MARK	2
7	CY-129612-12650	MARKING,(W)	1
8	CY-129263-44500	RADIATOR T=36 CMP	1
9	CY-129107-44590	CAP, RADIATOR	1
10	CY-129467-44580	MOUNT RUBBER	2
11	CY-129467-44590	COLLAR	2
12	CY-129263-44510	TANK ASSY, SUB	1
13	CY-121450-44531	CAP	1
14	CY-23065-070180	PIPE 7X 180	1
15	CY-124450-44560	CLAMP	1
16	CY-121470-44581	GASKET	1
17	CY-119255-44660	RUBBER	2
18	CY-124764-44810	LABEL, SUB-TANK	1
19	CY-129550-49101	COCK ASSY, 2-WAY	1
20	CY-129150-49081	COCK, DRAIN	1
21	CY-119852-55611	BRACKET, FILTER	1
22	CY-119802-55700	SEPARATOR ASSY	1
23	CY-129100-55690	RING, RETAINING	1
24	CY-119802-55710	ELEMENT	1
25	CY-24311-000160	O-RING 1A P-16.0	1
26	CY-24321-000650	O-RING 1A G-65.0	1
27	CY-119802-55801	FILTER, FUEL	1
28	CY-129211-77920	TIMER	1

FIG. 2. ENGINE ACCESSORIES MOUNTING

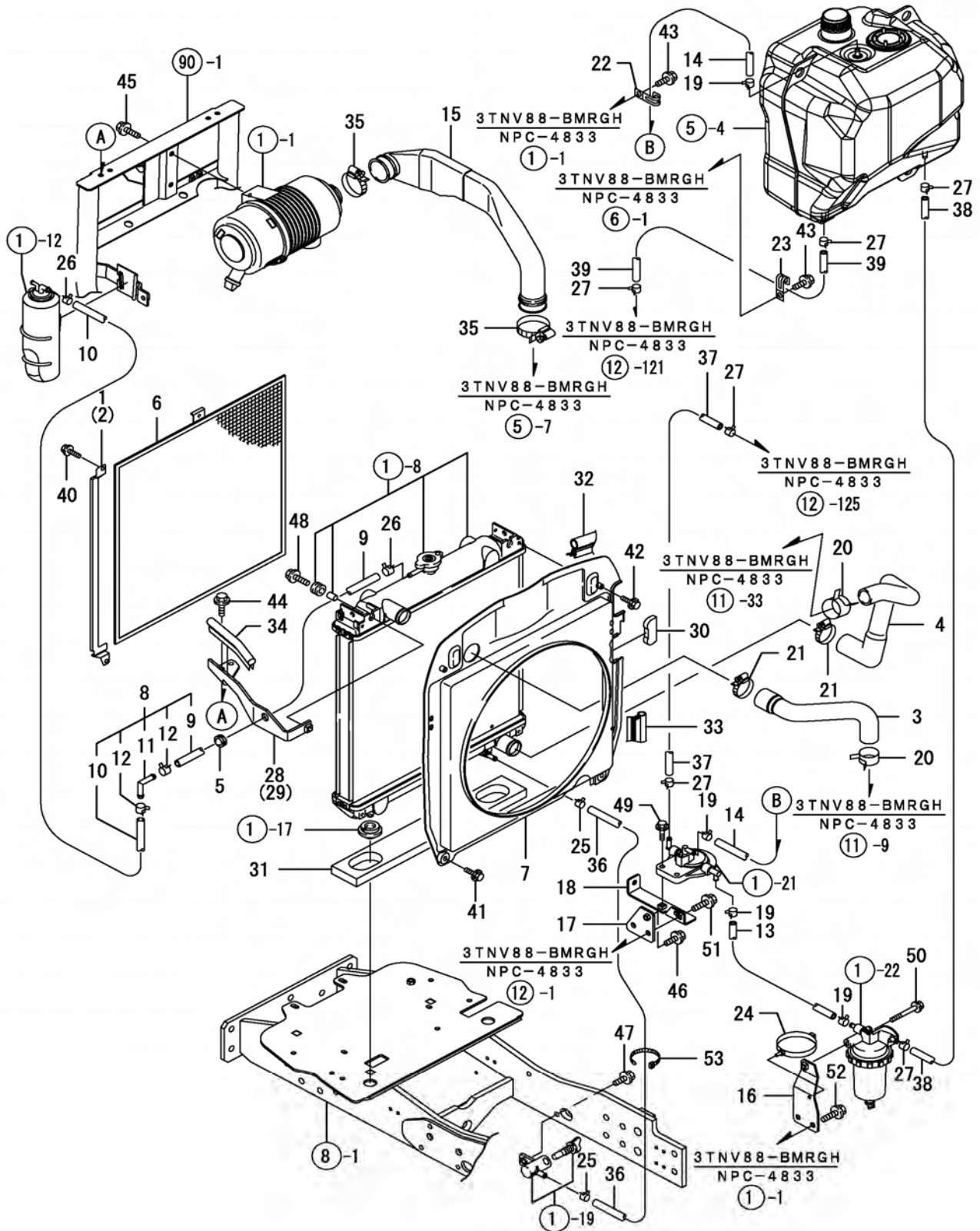
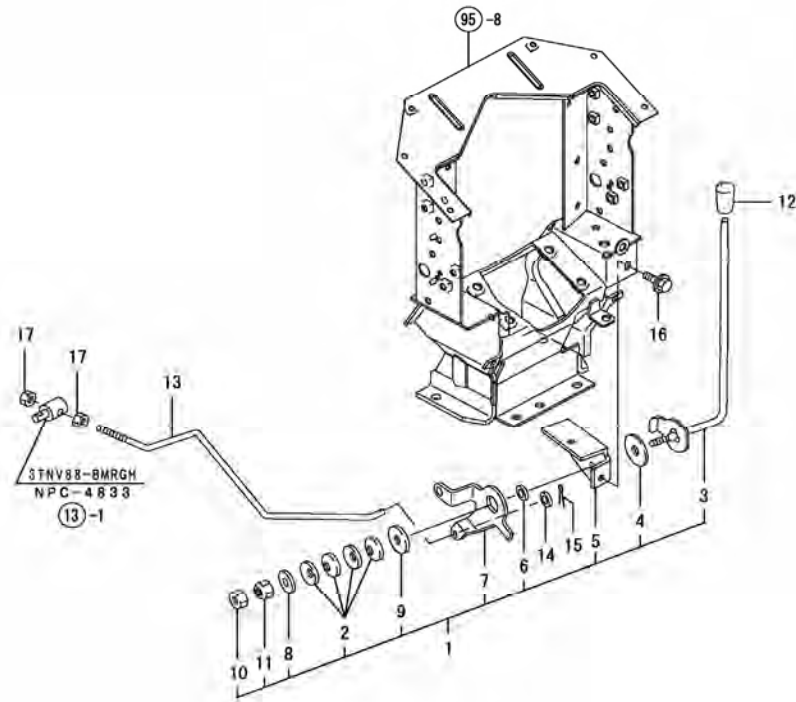


FIG. 2. ENGINE ACCESSORIES MOUNTING

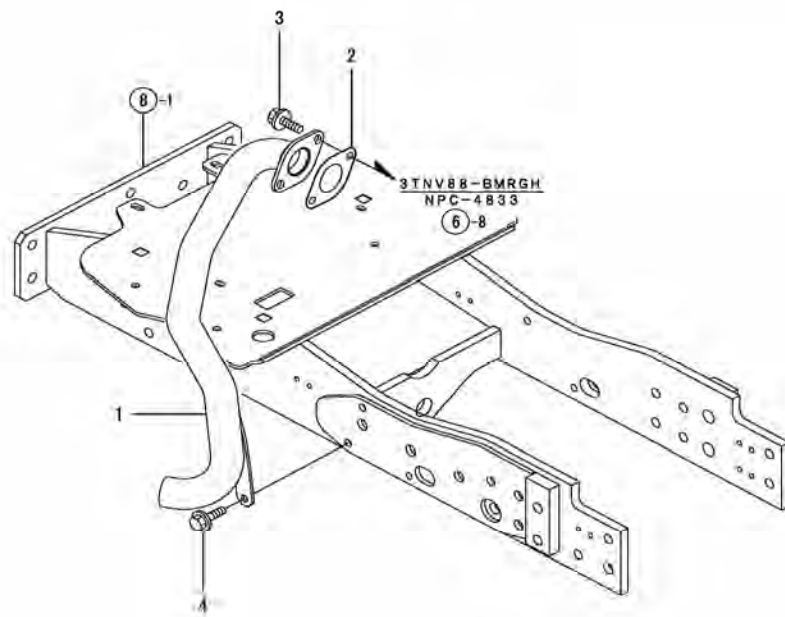
REF NO.	PART NUMBER	DESCRIPTION	QTY	REF NO.	PART NUMBER	DESCRIPTION	QTY
1	CY-1A7260-01030	RAIL, RADIATOR L	1	28	CY-1A7260-60211	STAY ASSY, L.H.	1
2	CY-1A7260-01040	RAIL, RADIATOR R	1	29	CY-1A7260-60221	STAY ASSY, R.H.	1
3	CY-1A8160-01210	HOSE, UPPER	1	30	CY-1A8160-60720	GROMMET SHROUD	1
4	CY-1A7260-01220	HOSE, LOWER	1	31	CY-1A7260-60860	URETHANE, RADIATOR	1
5	CY-194180-01240	GROMMET 13	1	32	CY-1A7260-61860	WEATHER-STRIP, A	1
6	CY-1A7260-01250	SCREEN, RADIATOR	1	33	CY-1A7260-61970	WEATHER-STRIP, B	1
7	CY-1A8160-01300	SHROUD, FAN	1	34	CY-174570-63620	WEATHER-STRIP, 195	2
8	CY-1A7260-03151	HOSE ASSY, OVERFLOW	1	35	CY-23000-070000	CLAMP 70	2
9	CY-1A7260-03160	HOSE, OVERFLOW A	1	36	CY-23980-730270	HOSE, 7.3 X 270 - S/N F000155 & BELOW	1
10	CY-1A7260-03170	HOSE, OVERFLOW B	1	36	CY-23980-730250	HOSE, 7.3 X 250 - S/N F000156 & ABOVE	1
11	CY-1A7260-03180	ELBOW,	1	37	CY-23980-730270	HOSE, 7.3 X 270	1
12	CY-124766-59050	CLAMP 12	2	38	CY-23980-730330	HOSE 7.3,BRAIDED	1
13	CY-1A8160-04430	HOSE A,FUEL	1	39	CY-23980-730850	HOSE, 7.3 X 850 - S/N F000155 & BELOW	1
14	CY-1A8160-04440	HOSE B,FUEL	1	39	CY-23980-730890	HOSE, 7.3 X 890 - S/N F000156 & ABOVE	1
15	CY-1A8160-06200	INTAKE PIPE	1	40	CY-26106-060122	BOLT M 6X 12 PLATED	4
16	CY-1A8160-11240	BRACKET, SEPARATOR	1	41	CY-26106-060122	BOLT M 6X 12 PLATED	2
17	CY-1A8160-11270	BRACKET A, FILTER	1	42	CY-26106-060252	BOLT M 6X 25 PLATED	2
18	CY-1A8160-11290	BRACKET B, FILTER	1	43	CY-26106-080122	BOLT M 8X 12 PLATED	2
19	CY-124766-59050	CLAMP 12	4	44	CY-26106-080162	BOLT M 8X 16 PLATED	4
20	CY-121267-49500	BAND, HOSE 38	2	45	CY-26106-080162	BOLT M 8X 16 PLATED	2
21	CY-175022-49750	CLIP 37, HOSE	2	46	CY-26106-080162	BOLT M 8X 16 PLATED	2
22	CY-194440-51620	CLAMP, WIRE HARNESS	1	47	CY-26106-080252	BOLT M 8X 25 PLATED - S/N F000155 & BELOW	1
23	CY-194440-51620	CLAMP, WIRE HARNESS	1	47	CY-26106-080302	BOLT M 8X 30 PLATED - S/N F000156 & ABOVE	1
24	CY-194680-51670	BAND	1	48	CY-26106-080252	BOLT M 8X 25 PLATED	2
25	CY-124766-59050	CLAMP 12	2	49	CY-26106-080252	BOLT M 8X 25 PLATED	2
26	CY-124766-59050	CLAMP 12	2	50	CY-26106-080702	BOLT M 8X 70 PLATED	1
27	CY-124766-59050	CLAMP 12	8	51	CY-26106-100202	BOLT M10X 20 PLATED	2
				52	CY-26106-100202	BOLT M10X 20 PLATED	2
				53	CY-29622-140001	BAND 140 - S/N F000156 & ABOVE	1

FIG. 3. ACCELERATOR LEVER



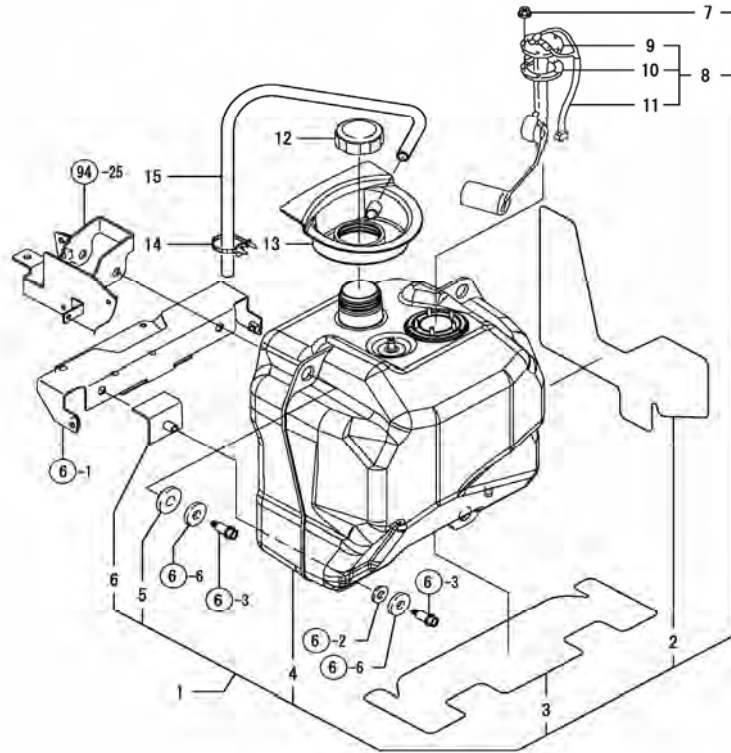
REF NO.	PART NUMBER	DESCRIPTION	QTY
1	CY-798220-01111	LEVER KIT, ACCELERATOR	1
2	CY-194740-00160	WASHER 10, CONICAL	4
3	CY-198220-01110	LEVER, CONTROL	1
4	CY-198165-01130	PLATE, FRICTION	1
5	CY-198220-01140	BRACKET, LEVER	1
6	CY-194150-01270	SPACER 20	1
7	CY-198220-01350	LEVER, ACCELERATOR	1
8	CY-194145-61570	WASHER 10	1
9	CY-22157-100000	WASHER 10	1
10	CY-26756-100002	LOCK NUT M10 PLATED	1
11	CY-26986-100002	LOCK NUT 10	1
12	CY-198253-01190	KNOB, THROTTLE LEVER	1
13	CY-1A8160-01320	ROD, ACCELERATOR	1
14	CY-22137-080000	WASHER 8, POLISHED	1
15	CY-22417-250300	COTTER PIN 2.5X30	1
16	CY-26106-080162	BOLT M 8X 16 PLATED	2
17	CY-26716-080002	NUT M 8	2

FIG. 4. EXHAUST



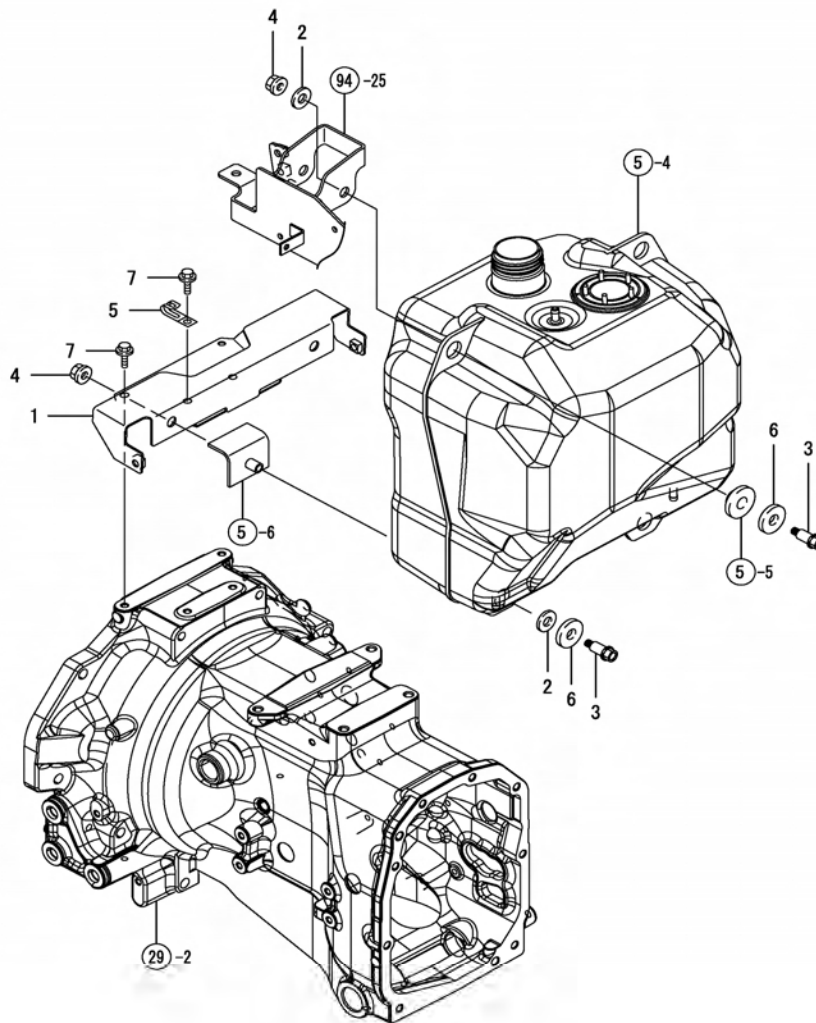
REF NO.	PART NUMBER	DESCRIPTION	QTY
1	CY-1A8160-03100	PIPE, EXHAUST	1
2	CY-129052-13550	GASKET, EXHAUST	1
3	CY-26106-080202	BOLT M 8X 20 PLATED	2
4	CY-26106-080252	BOLT M 8X 25 PLATED	1

FIG. 5. FUEL TANK



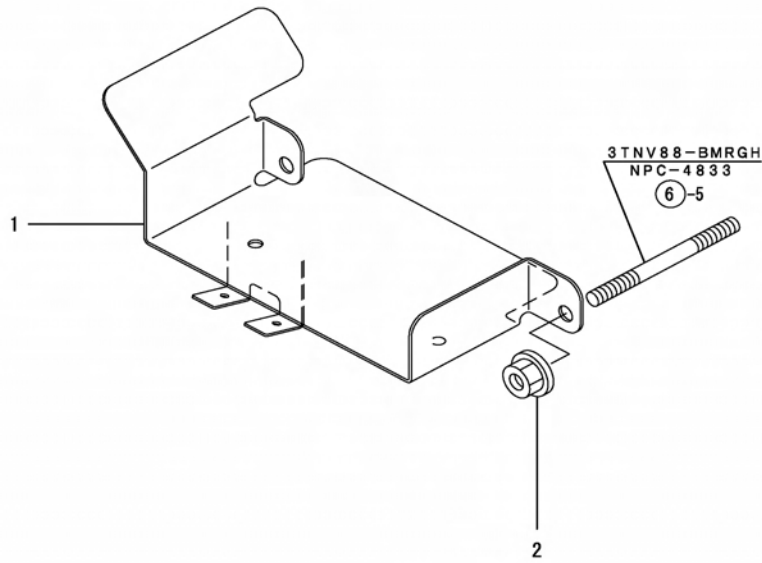
REF NO.	PART NUMBER	DESCRIPTION	QTY
1	CY-1A8160-04100	FUEL TANK WITH SENDER	1
2	CY-1A7335-04070	INSULATOR, TANK R.H.	1
3	CY-1A7335-04080	INSULATOR, TANK LOWER	1
4	CY-1A7335-04110	TANK, FUEL	1
5	CY-1A8160-04260	GROMMET	2
6	CY-198220-04290	PAD	2
7	CY-194990-22120	NUT W/WASHER 5	5
8	CY-198220-56600	SENDER ASSY, FUEL GAUGE	1
9	CY-198220-56610	SENDER, FUEL GAUGE	1
10	CY-194420-56620	GASKET	1
11	CY-198220-56630	WIRE	1
12	CY-1A8160-04130	CAP, FUEL TANK	1
13	CY-1A8160-04150	TRAY, TANK	1
14	CY-194680-51670	BAND	2
15	CY-23065-160850	HOSE, 16 X 850	1

FIG. 6. FUEL TANK MOUNTING



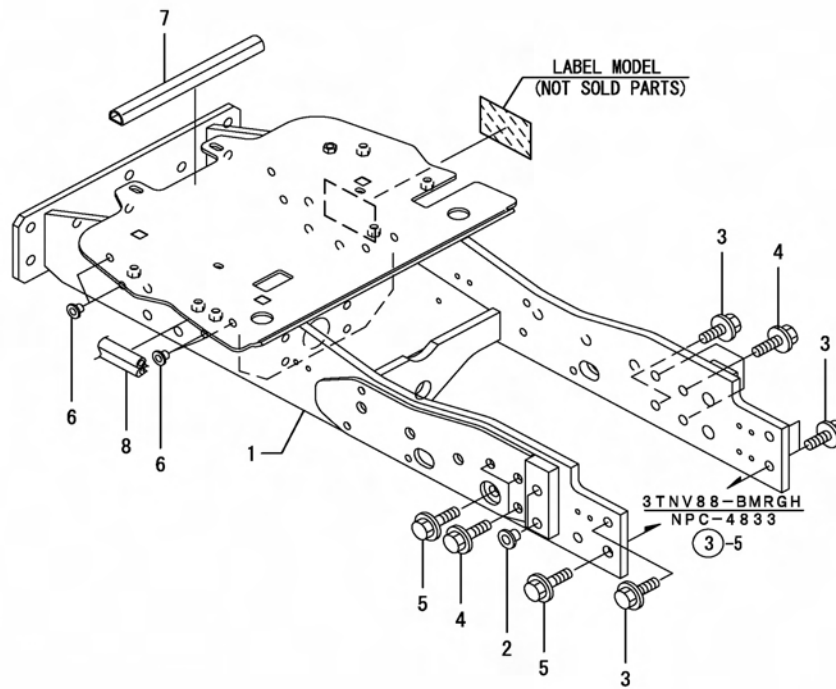
REF NO.	PART NUMBER	DESCRIPTION	QTY
1	CY-1A8160-04210	SUPPORT, TANK	1
2	CY-194555-04270	PACKING, RUBBER	4
3	CY-1A7335-04280	BOLT, M8X30	4
4	CY-194990-22140	NUT W/WASHER 8	4
5	CY-1E6102-83230	CLAMP, BATTERY CABLE	1
6	CY-22157-120000	WASHER 12	4
7	CY-26106-080162	BOLT M 8X 16 PLATED	4

FIG. 7. EXHAUST MANIFOLD PLATE



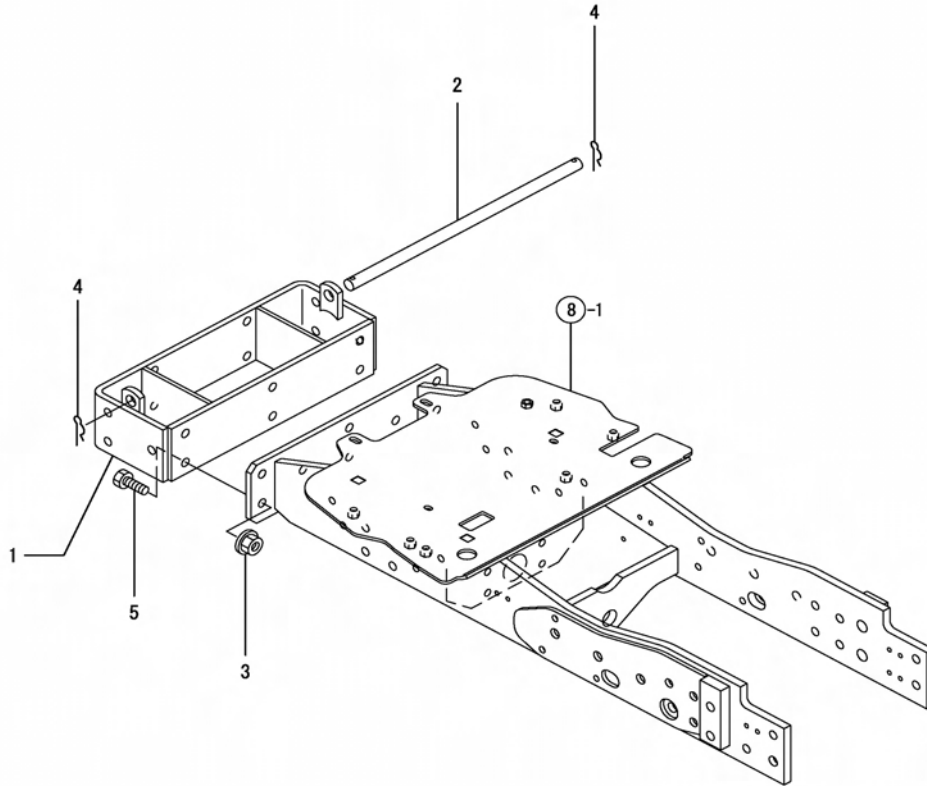
REF NO.	PART NUMBER	DESCRIPTION	QTY
1	CY-1A8160-05510	PLATE/HEAT SHIELD	1
2	CY-194990-22140	NUT W/WASHER 8	2

FIG. 8. FRONT FRAME



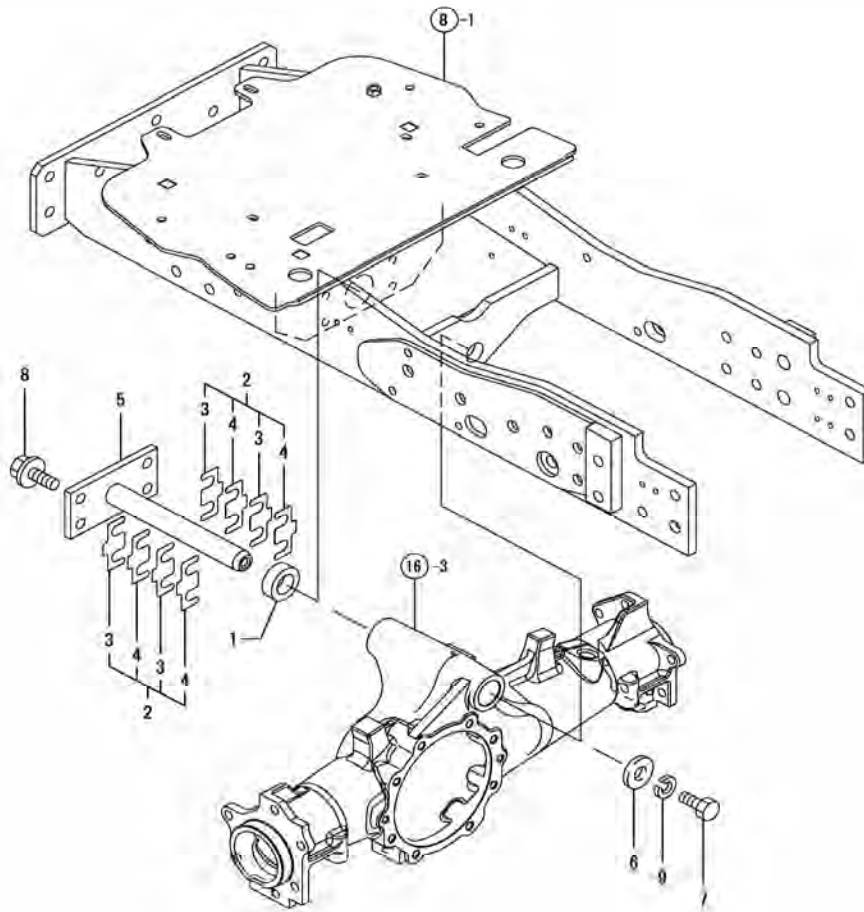
REF NO.	PART NUMBER	DESCRIPTION	QTY
1	CY-1A8160-11110	FRONT FRAME	1
2	CY-194450-11190	PLUG 15	4
3	CY-198220-11510	BOLT 12X27	4
4	CY-1A8160-11520	BOLT, M12X34	6
5	CY-198220-11530	BOLT 12X38	2
6	CY-194150-21910	PLUG 11.2	8
7	CY-1A7260-60661	STRIP	1
8	CY-1A7260-60750	WEATHER-STRIP	2

FIG. 9. FRONT WEIGHT BRACKET



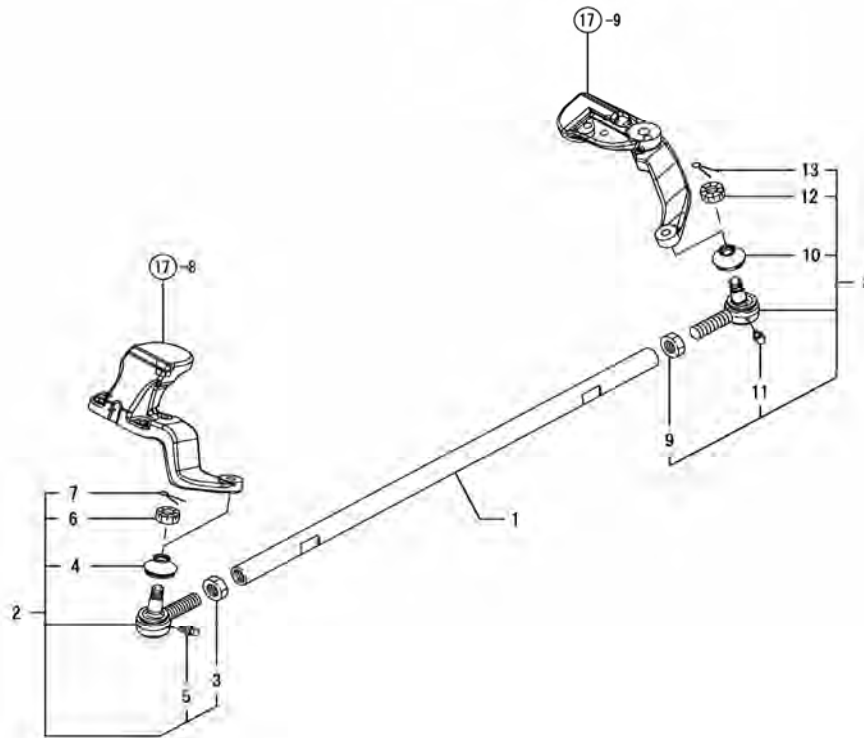
REF NO.	PART NUMBER	DESCRIPTION	QTY
1	CY-1A8160-11120	BRACKET, FRONT	1
2	CY-194197-11140	PIN, LOCK	1
3	CY-194990-22160	NUT W/WASHER 12	6
4	CY-22372-160000	SNAP PIN 16	2
5	CY-26116-120352	BOLT M12X 35 PLATED	6

FIG. 10. CENTER PIN



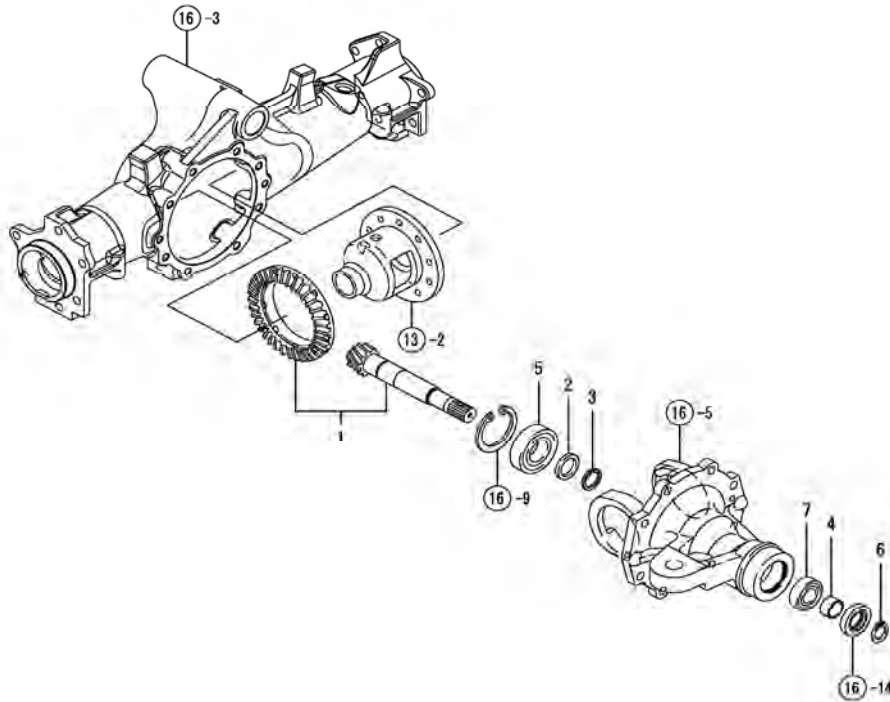
REF NO.	PART NUMBER	DESCRIPTION	QTY
1	CY-194515-13220	SPACER 25X42X14	1
2	CY-1A8160-13230	SHIM PIN, CENTER	1
3	CY-1A7450-13230	SHIM	4
4	CY-1A8160-13270	SHIM 0.25	4
5	CY-1A8160-13240	PIN, CENTER	1
6	CY-22157-140000	WASHER 14	1
7	CY-26116-140302	BOLT M14X 30 PLATED	1
8	CY-26108-120252	BOLT 12* 25	4
9	CY-22217-140000	SPRING WASHER 14	1

FIG. 11. TIE ROD



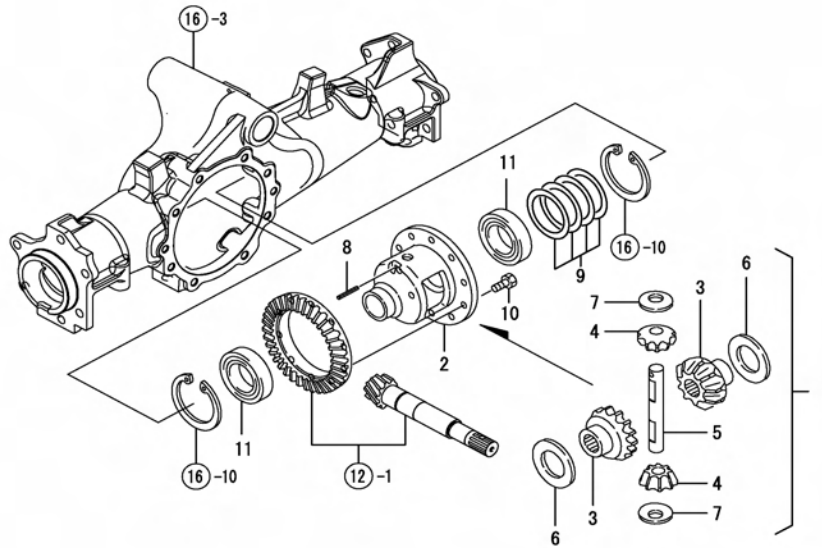
REF NO.	PART NUMBER	DESCRIPTION	QTY
1	CY-198220-12310	TIE-ROD	1
2	CY-198291-18120	END L.H. COMP., TIE-ROD	1
3	CY-194990-22831	NUT, L. 17	1
4	CY-194730-57220	COVER, DUST	1
5	CY-24761-060000	FITTING, 6	1
6	CY-194730-57242	NUT, M12	1
7	CY-22417-300250	COTTER PIN 3.0X 25	1
8	CY-198291-18130	END R.H. COMP., TIE-ROD	1
9	CY-194990-22841	NUT, R. 17	1
10	CY-194730-57220	COVER, DUST	1
11	CY-24761-060000	FITTING, 6	1
12	CY-194730-57242	NUT, M12	1
13	CY-22417-300250	COTTER PIN 3.0X 25	1

FIG. 12. RING GEAR



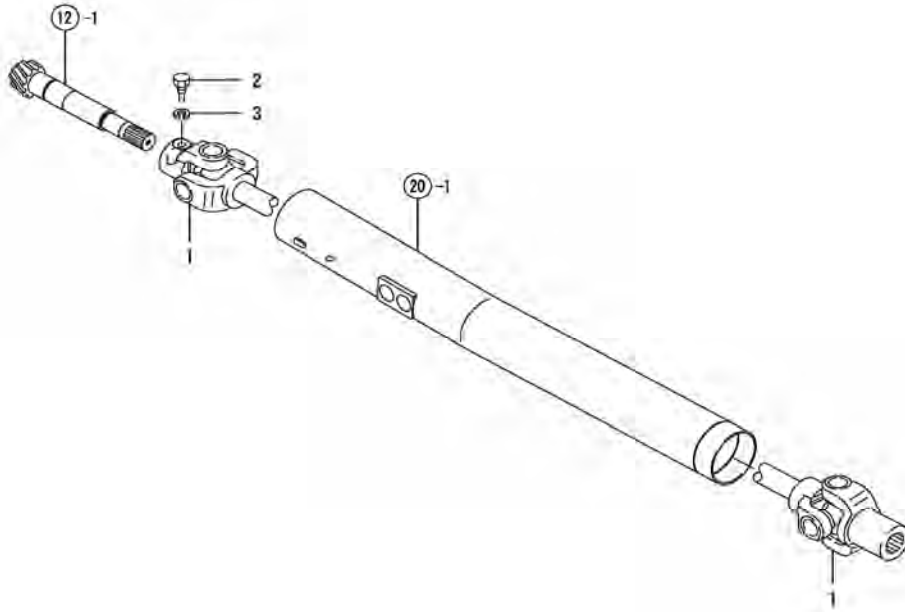
REF NO.	PART NUMBER	DESCRIPTION	QTY
1	CY-1A8160-13100	GEAR ASSY, RING	1
2	CY-198221-13130	COLLAR 25*34*4.5	1
3	CY-194306-13140	CIRCLIP 24-S	1
4	CY-194855-25290	SLEEVE SI 202513	1
5	CY-194850-31380	BALL BEARING	1
6	CY-22242-000200	CIRCLIP 20	1
7	CY-24101-060044	BALL BEARING #6004	1

FIG. 13. DIFFERENTIAL GEAR



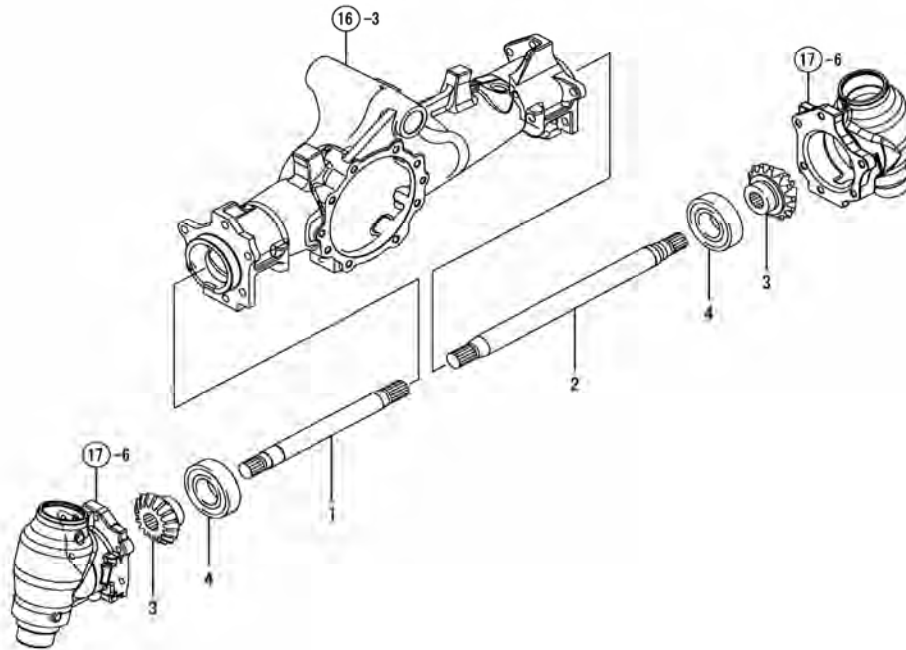
REF NO.	PART NUMBER	DESCRIPTION	QTY
1	CY-1A8160-13200	HOUSING ASSY, DIFF.	1
2	CY-1A8160-13210	CASE, DIFFERENTIAL	1
3	CY-194300-31550	GEAR, DIFFERENTIAL	2
4	CY-194300-31560	GEAR, DIFFERENTIAL	2
5	CY-194300-31570	SHAFT, DIFFERENTIAL	1
6	CY-194300-31610	WASHER, DIFFERENTIAL	2
7	CY-194300-31620	WASHER, DIFFERENTIAL	2
8	CY-22351-040030	SPRING PIN 4X30	1
9	CY-794447-13570	SHIM SET	1
10	CY-1D4110-36430	BOLT, 1 2 8 X	10
11	CY-24101-060084	BALL BEARING	2

FIG. 14. PROPELLER SHAFT



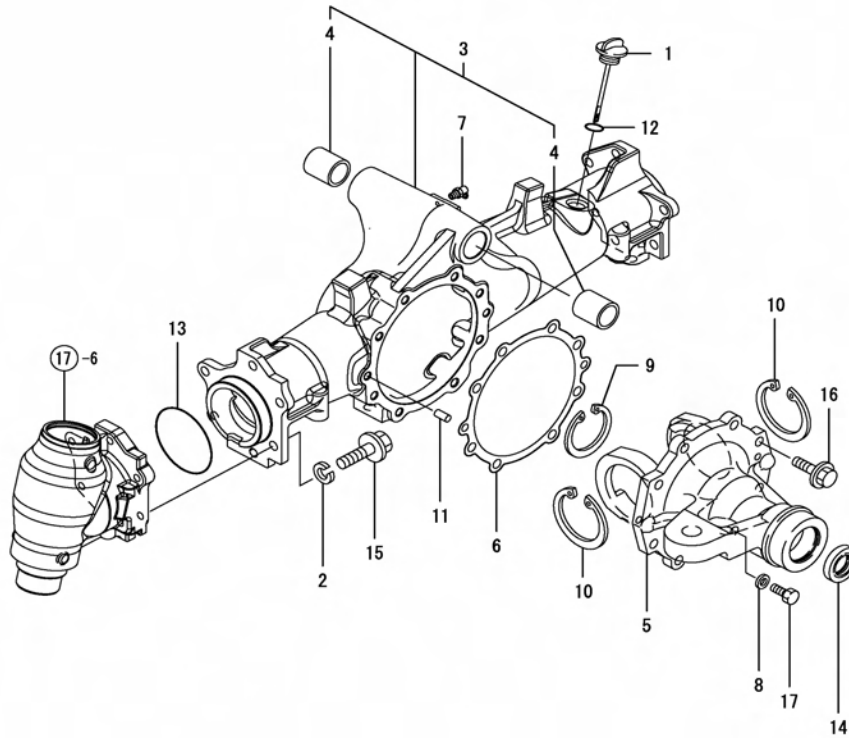
REF NO.	PART NUMBER	DESCRIPTION	QTY
1	CY-1A8160-13340	PROPELLER SHAFT CMP	1
2	CY-198221-13410	BOLT	1
3	CY-22217-080000	SPRING WASHER 8	1

FIG. 15. FRONT DRIVE SHAFT



REF NO.	PART NUMBER	DESCRIPTION	QTY
1	CY-1A8160-13510	SHAFT, DRIVE L.H.	1
2	CY-1A8160-13520	SHAFT, DRIVE R.H.	1
3	CY-1A8160-13560	PINION, FRONT 1ST	2
4	CY-24101-062084	BALL BEARING	2

FIG. 16. FRONT AXLE CASE



REF NO.	PART NUMBER	DESCRIPTION	QTY
1	CY-194447-13490	CAP W/DIPSTICK	1
2	CY-194274-13570	SPRING WASHER 10	12
3	CY-1A8160-13600	FRONT AXLE CASE CMP	1
4	CY-194850-13660	BUSHING	2
5	CY-1A8160-13650	CARRIER, DIFFERENTIAL	1
6	CY-1A8160-13660	GASKET, CARRIER	1
7	CY-194850-13690	NIPPLE M6F, GREASE	1
8	CY-22190-080000	SEAL WASHER 8(BOLT)	1
9	CY-22252-000621	CIRCRIP 62	1
10	CY-22252-000680	CIRCLIP 68	2
11	CY-22312-080160	PARALLEL PIN 8X 16	2
12	CY-24311-000180	O-RING 1A P-18.0	1
13	CY-24321-000800	O-RING 1A G-80.0	2
14	CY-24421-254208	SEAL TC25 42 08, OIL	1
15	CY-26108-100302	BOLT M10X 30 PLATED	12
16	CY-26108-100302	BOLT M10X 30 PLATED	8
17	CY-26116-080122	BOLT M 8X 12 PLATED	1

FIG. 17. FRONT GEAR CASE

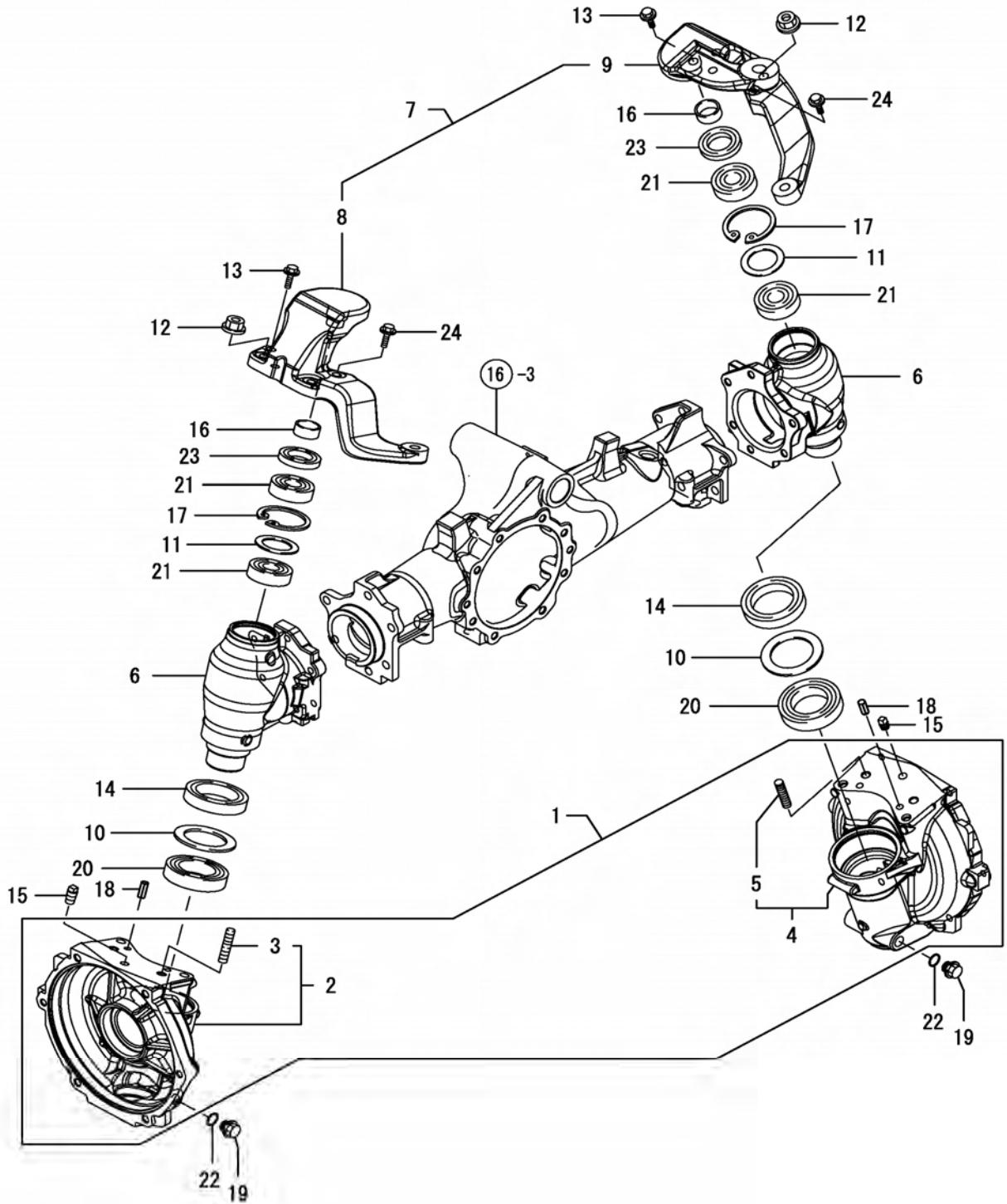
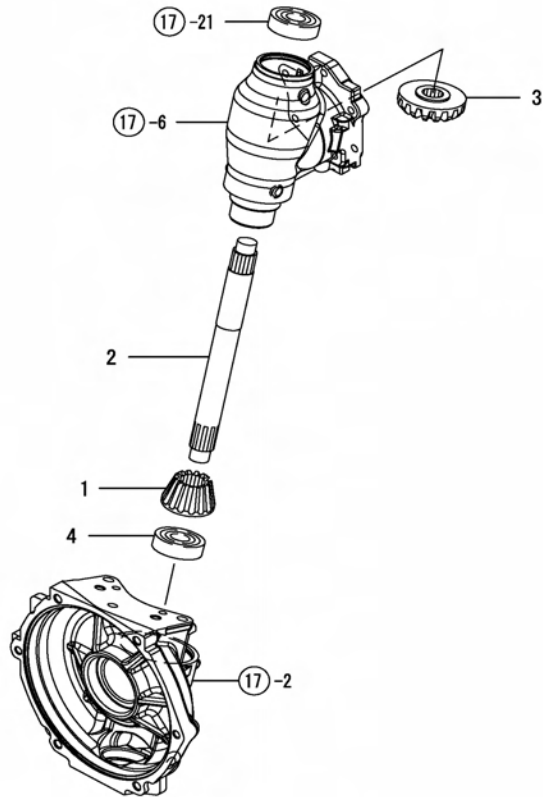


FIG. 17. FRONT GEAR CASE

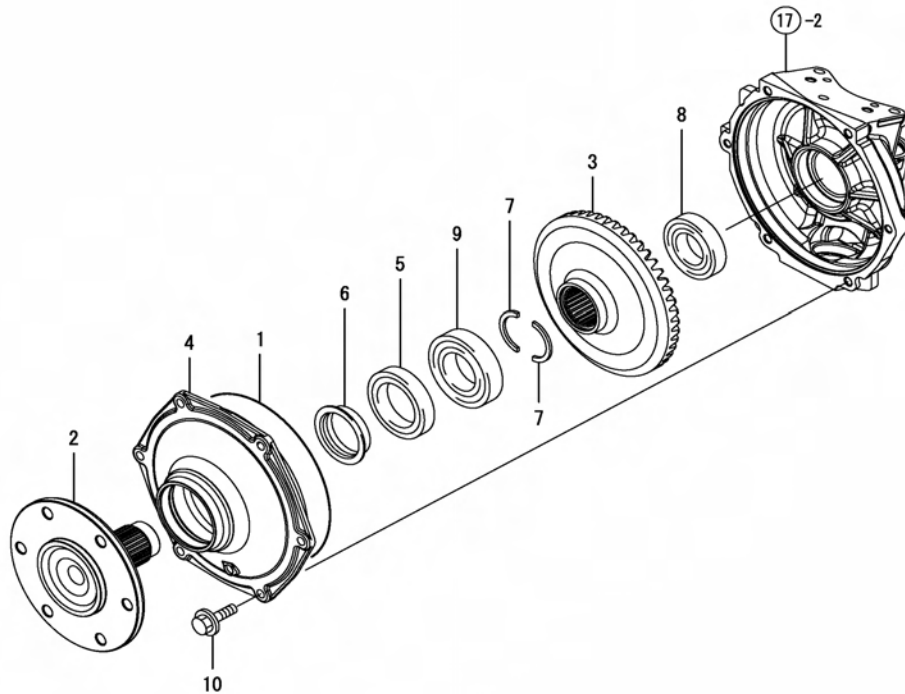
REF NO.	PART NUMBER	DESCRIPTION	QTY
1	CY-1A8160-13680	BOX, FRONT GEAR UNIT	1
2	CY-1A8160-13720	BOX, FRONT GEAR L CMP	1
3	CY-1A8160-13920	STUD, BOLT 10X30	2
4	CY-1A8160-13730	BOX, FRONT GEAR R CMP	1
5	CY-1A8160-13920	STUD, BOLT 10X30	2
6	CY-1A8160-13750	CASE, FRONT GEAR	2
7	CY-1A8160-13800	SUPPORT, KING PIN CMP	1
8	CY-1A8160-13820	ARM, STEERING L.H.	1
9	CY-1A8160-13861	ARM, STEERING R.H.	1
10	CY-1A8160-13880	WASHER, 52X75X3	2
11	CY-1A8160-13890	WASHER 36X52X2	2
12	CY-1A8160-13930	NUT 10	4
13	CY-198266-28390	BOLT, 10X35	2
14	CY-198475-32660	SEAL QLNY527514.5	2
15	CY-194151-36670	PLUG PT02	2
16	CY-1E6190-54080	SLEEVE SI25X30X13	2
17	CY-22252-000520	CIRCLIP 52	2
18	CY-22351-080020	SPRING PIN 8X20	4
19	CY-23491-140002	PLUG 14	2
20	CY-24101-060094	BALL BEARING	2
21	CY-24104-063044	BALL BEARING	4
22	CY-24311-000160	O-RING 1A P-16.0	2
23	CY-24421-305208	SEAL TC30 52 08, OIL	2
24	CY-26108-100452	BOLT M10X 45 PLATED	2

FIG. 18. FRONT SHAFT



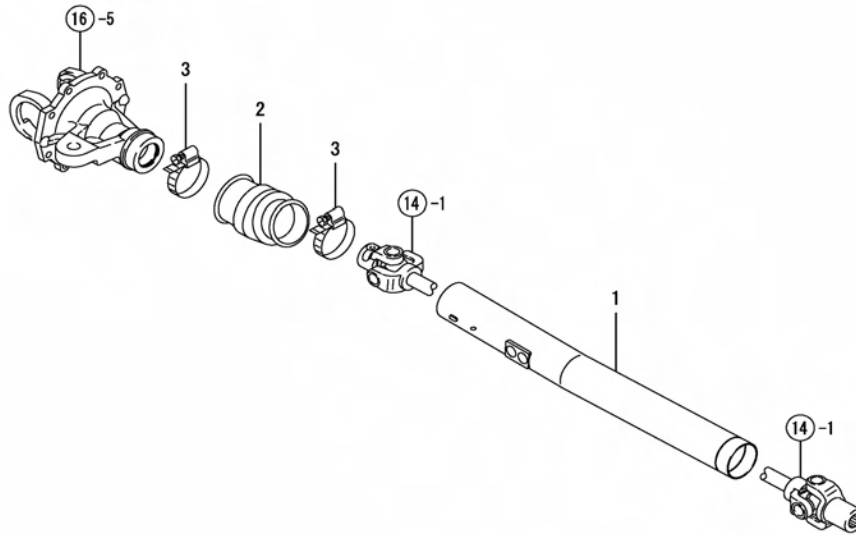
REF NO.	PART NUMBER	DESCRIPTION	QTY
1	CY-1A8160-13830	PINION, FRONT FINAL	2
2	CY-1A8160-13870	SHAFT, FRONT 2ND	2
3	CY-1A8160-13980	GEAR FRONT 2ND	2
4	CY-192180-25980	BEARING 304RSH2	2

FIG. 19. FRONT SPINDLE



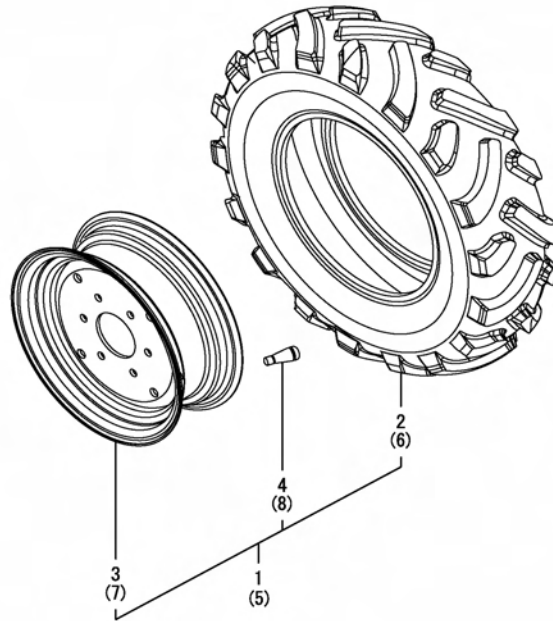
REF NO.	PART NUMBER	DESCRIPTION	QTY
1	CY-194556-13790	O-RING 190X2.7	2
2	CY-198200-14110	SPINDLE, FRONT	2
3	CY-198200-14120	GEAR, FRONT FINAL	2
4	CY-1A8160-14130	COVER, GEAR BOX	2
5	CY-194447-14140	SEAL TC6Y 57 75 12	2
6	CY-1A8160-14180	SLEEVE	2
7	CY-198200-14210	RING, HALF TIMBER	4
8	CY-24101-060084	BALL BEARING	2
9	CY-24101-062094	BALL BEARING	2
10	CY-26106-100252	BOLT M10X 25 PLATED	12

FIG. 20. SHAFT COVER



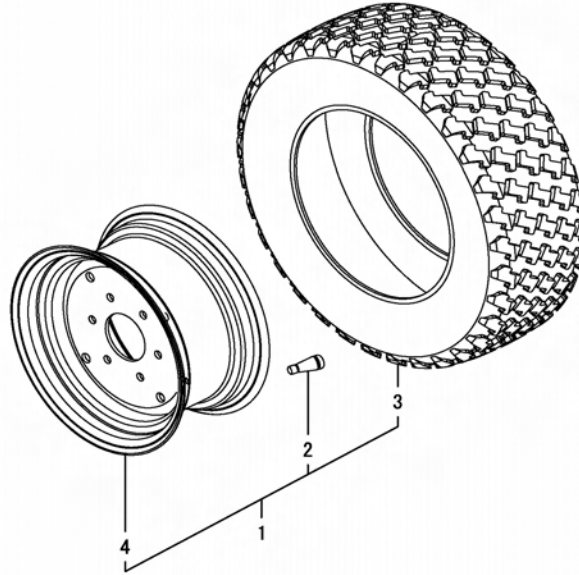
REF NO.	PART NUMBER	DESCRIPTION	QTY
1	CY-1A8160-14610	COVER, SHAFT	1
2	CY-198221-14650	BOOT, RUBBER	1
3	CY-23000-080000	CLAMP 80	2

FIG. 21. FRONT WHEEL TIRE (BAR)



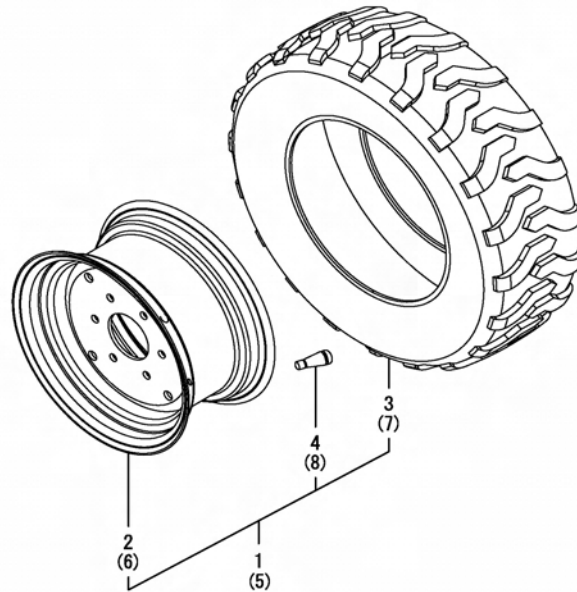
REF NO.	PART NUMBER	DESCRIPTION	QTY
1	CY-1A8160-14300	R1 TIRE KIT, FRONT L	1
2	CY-1A8160-14310	R1 TIRE 7X14	1
3	CY-1A8160-14330	R1 WHEEL F	1
4	CY-1A8160-14350	R1 VALVE F	1
5	CY-1A8160-14400	R1 TIRE KIT, FRONT R	1
6	CY-1A8160-14310	R1 TIRE 7X14	1
7	CY-1A8160-14330	R1 WHEEL F	1
8	CY-1A8160-14350	R1 VALVE F	1

FIG. 22. FRONT WHEEL TIRE (TURF)



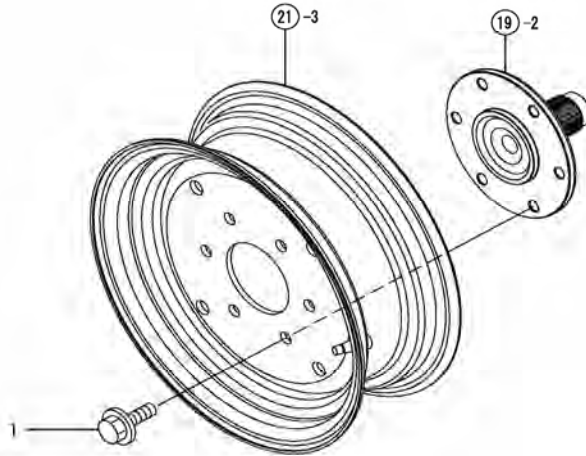
REF NO.	PART NUMBER	DESCRIPTION	QTY
1	CY-1A8160-14500	R3 TIRE KIT, FRONT	2
2	CY-1A8160-14350	R1 VALVE, F	2
3	CY-1A8160-14510	TIRE 25X8.50-14	2
4	CY-1A8160-14530	R3 WHEEL F	2

FIG. 23. FRONT WHEEL TIRE



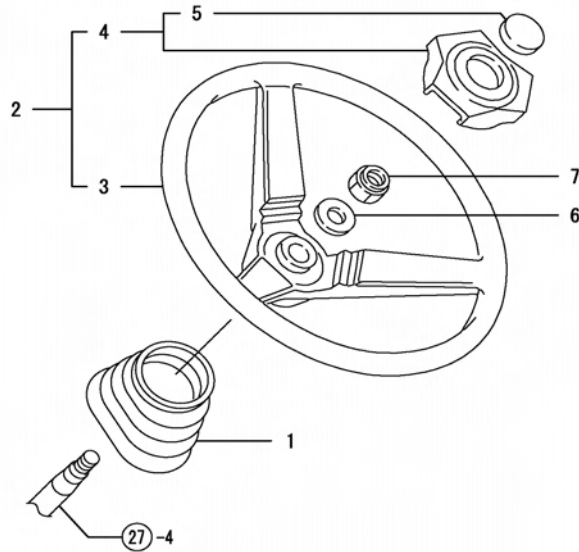
REF NO.	PART NUMBER	DESCRIPTION	QTY
1	CY-1A8160-14700	R4 TIRE KIT, FRONT L	1
2	CY-1A8160-14530	R3 WHEEL F	1
3	CY-1A8160-14710	R4 TIRE 25X8.50-14	1
4	CY-1A8160-14750	VALVE	1
5	CY-1A8160-14800	R4 TIRE KIT, FRONT R	1
6	CY-1A8160-14530	R3 WHEEL F	1
7	CY-1A8160-14710	R4 TIRE 25X8.50-14	1
8	CY-1A8160-14750	VALVE	1

FIG. 24. HUB BOLT (FRONT)



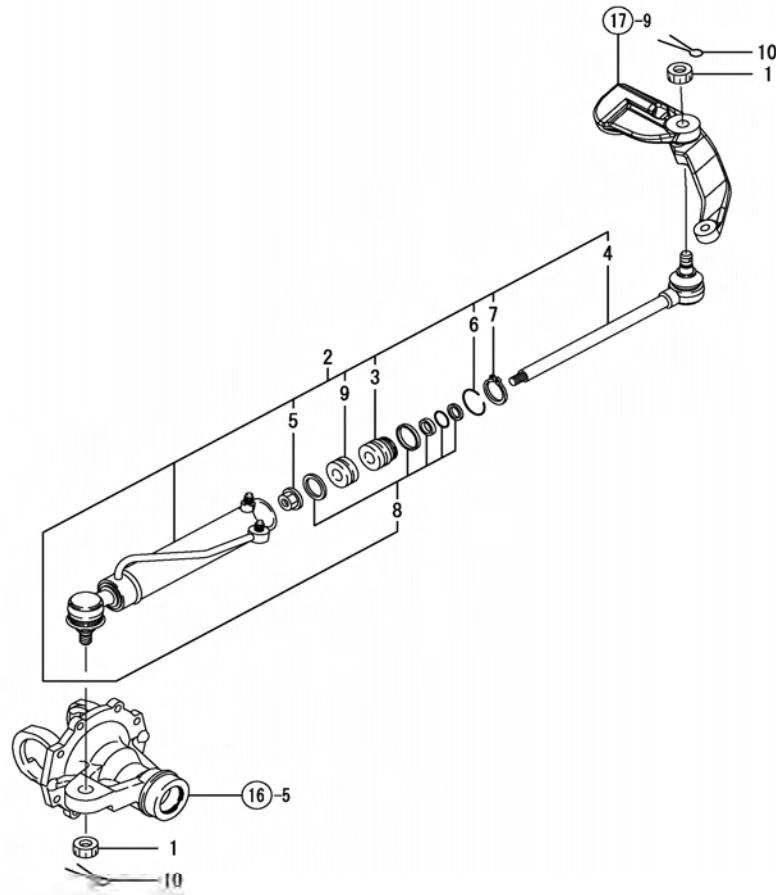
REF NO.	PART NUMBER	DESCRIPTION	QTY
1	CY-194881-12650	BOLT M14X 24	12

FIG. 25. STEERING WHEEL



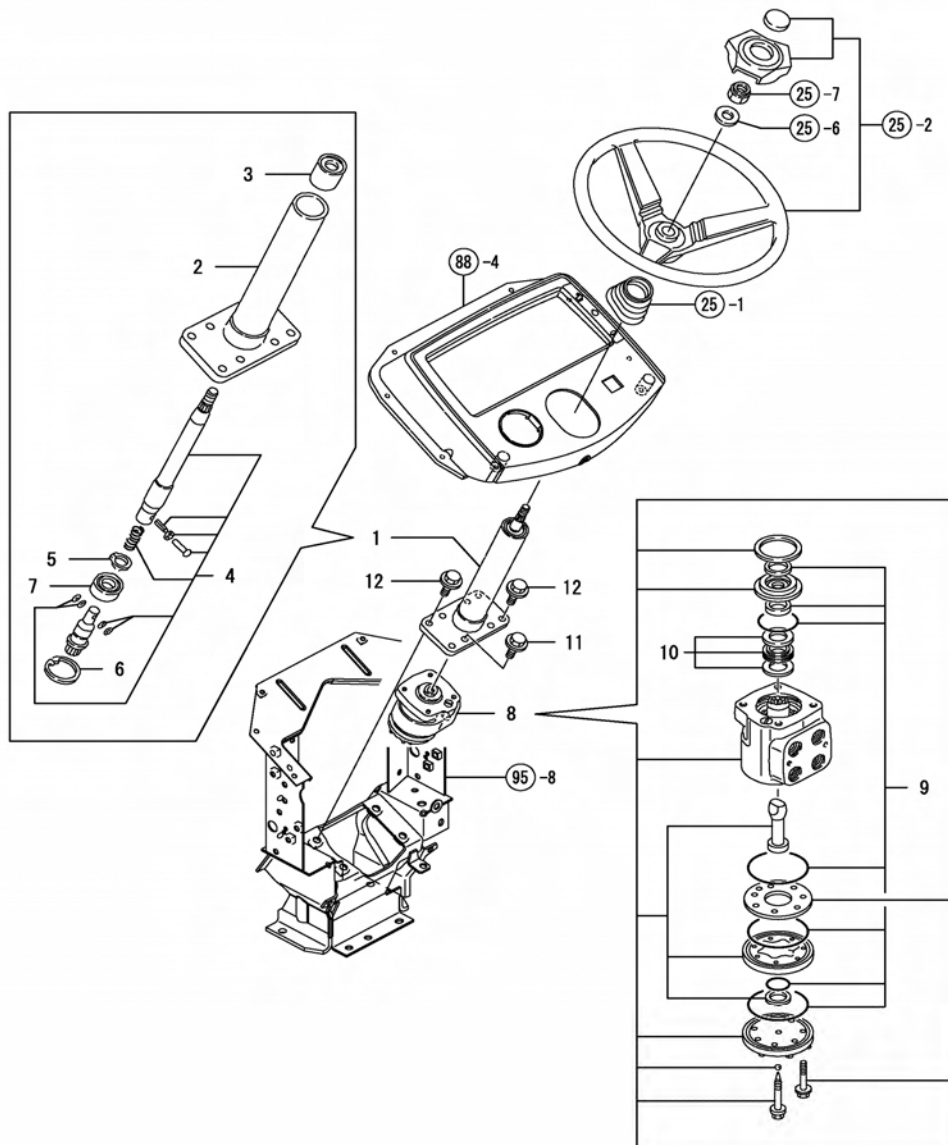
REF NO.	PART NUMBER	DESCRIPTION	QTY
1	CY-198220-15650	COVER	1
2	CY-1A8160-15700	WHEEL, STEERING COMPLETE	1
3	CY-198133-15710	WHEEL, STEERING	1
4	CY-1A8160-15740	CAP STEERING W/LABEL	1
5	CY-1A8160-15780	LABEL, NAME	1
6	CY-22137-160000	WASHER 16, POLISHED	1
7	CY-26356-160002	U-NUT M16	1

FIG. 26. POWER STEERING CYLINDER



REF NO.	PART NUMBER	DESCRIPTION	QTY
1	CY-194180-12471	NUT, CASTLE	2
2	CY-1A8160-17400	CYLINDER ASSY	1
3	CY-1A7335-17310	CAP, CYLINDER	1
4	CY-1A7335-17410	ROD ASSY	1
5	CY-1A7335-17500	ROCK NUT	1
6	CY-1A7335-17520	CIRCLIP 120	1
7	CY-1A7335-17530	CIRCLIP 120	1
8	CY-1A7335-17550	SEAL KIT	1
9	CY-1A7335-17750	PISTON	1
10	CY-22417-400250	COTTER PIN 4.0X25	2

FIG. 27. POWER STEERING VALVE



REF NO.	PART NUMBER	DESCRIPTION	QTY
1	CY-198230-17301	COLUMN, STEERING	1
2	CY-198230-17311	COLUMN ASSY	1
3	CY-194640-17340	BUSH, COLUMN	1
4	CY-198230-17340	SHAFT ASSY	1
5	CY-22242-000200	CIRCLIP 20	1
6	CY-22252-000420	CIRCLIP 42	1
7	CY-24104-060040	BALL BEARING	1
8	CY-1A8160-17500	VALVE ASSY, STEERING	1
9	CY-1A8160-17510	SEAL KIT	1
10	CY-198153-17630	BEARING COMP., NEEDLE	1
11	CY-26106-100202	BOLT M10X 20 PLATED	4
12	CY-26106-100202	BOLT M10X 20 PLATED	4

FIG. 28. POWER STEERING LINES

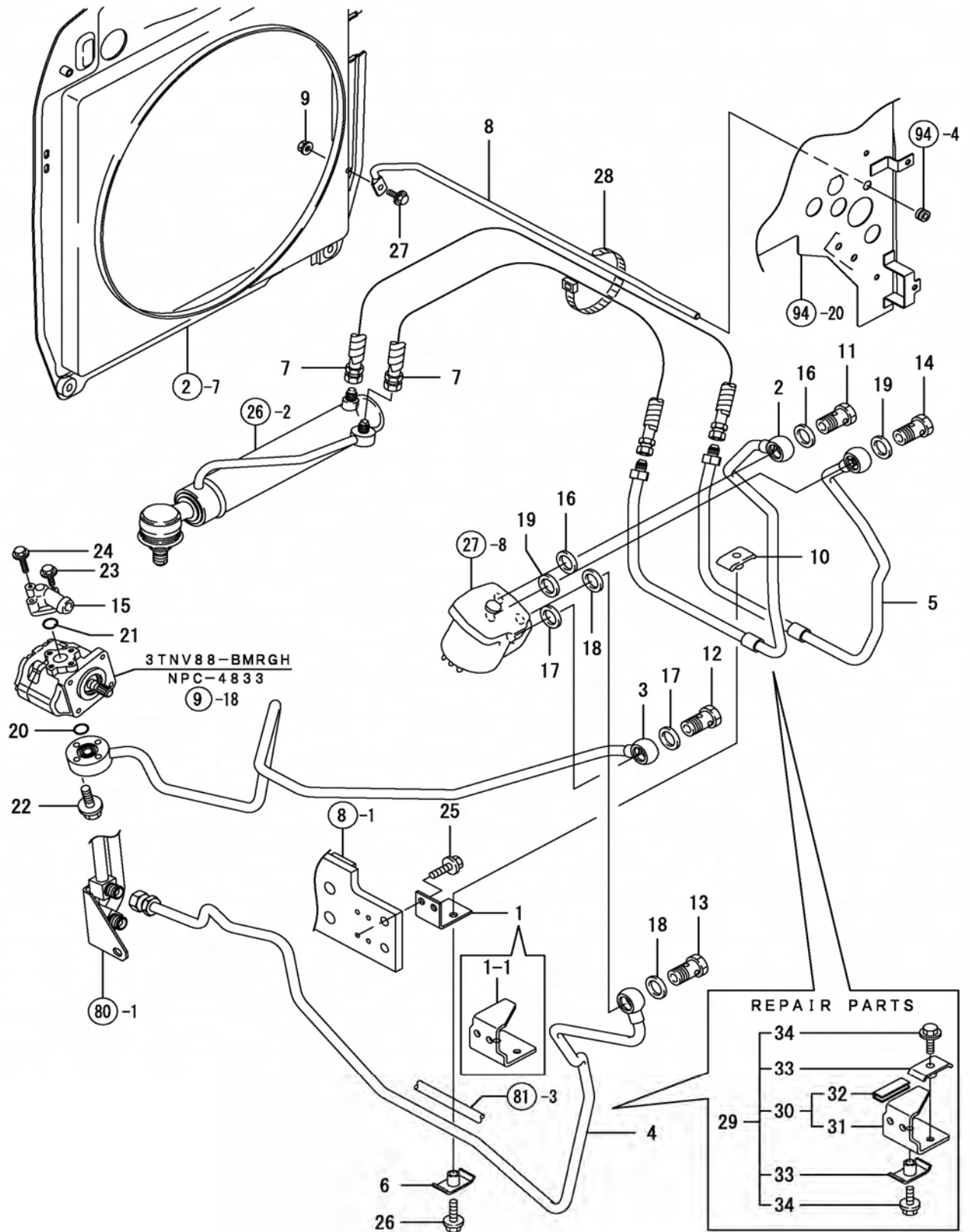
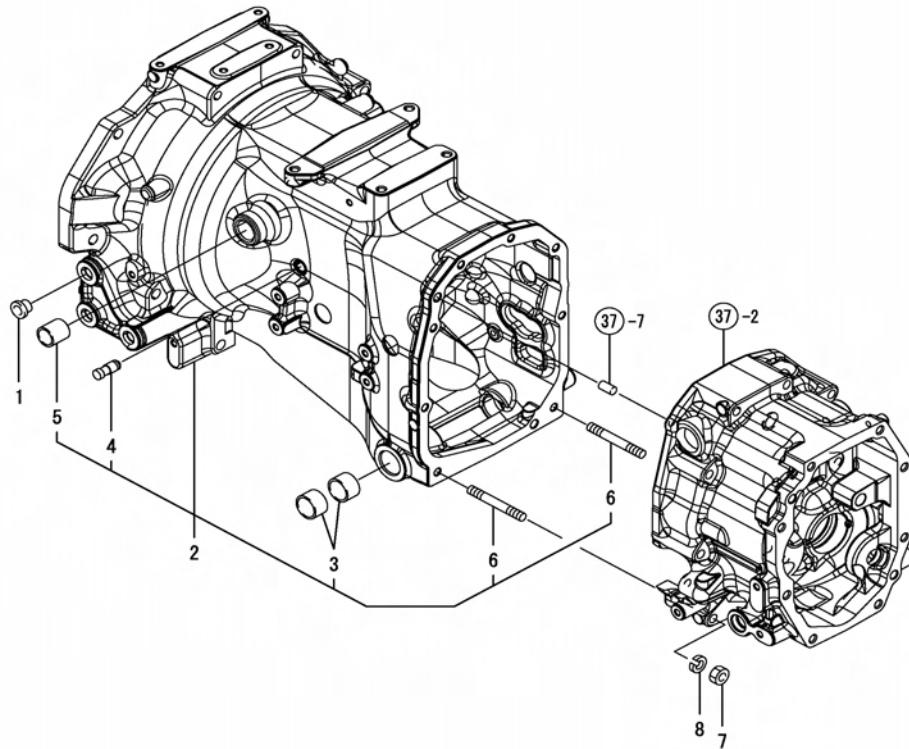


FIG. 28. POWER STEERING LINES

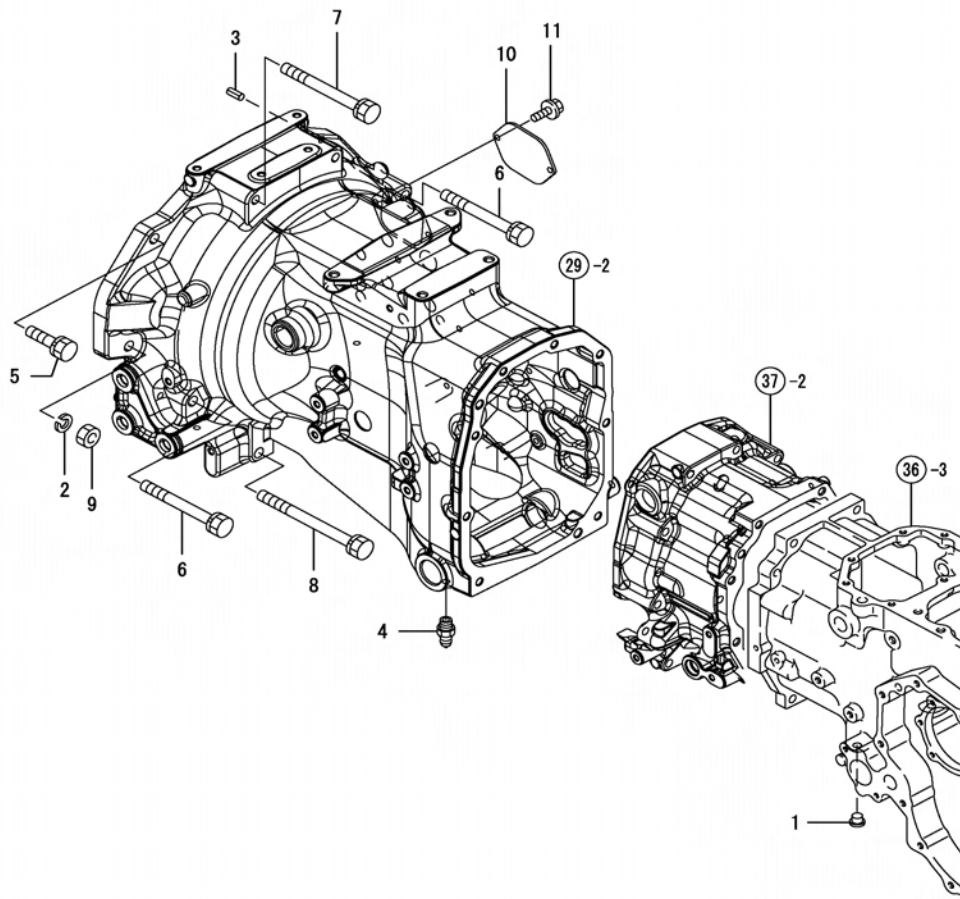
REF NO.	PART NUMBER	DESCRIPTION	QTY
1	CY-1A8160-17460	BRACKET (PIPE CLAMP)	1
1-1	CY-1A8160-17461	BRACKET (PIPE CLAMP) - S/N F000155 & BELOW	1
2	CY-1A8160-17700	LINE, PST L.H.	1
3	CY-1A8160-17720	LINE, PST PUMP	1
4	CY-1A8160-17740	LINE, PST TANK	1
5	CY-1A8160-17780	LINE, PST R.H.	1
6	CY-198268-17790	CLAMP, PIPE 12 - S/N F000155 & BELOW	1
7	CY-198230-17850	HOSE	2
8	CY-1A8160-17950	BAR, CLAMP	1
9	CY-194990-22130	NUT W/WASHER 6	1
10	CY-198220-46560	CLAMP COMP - S/N F000155 & BELOW	1
11	CY-198245-46680	BOLT 3/4-16	1
12	CY-198245-46680	BOLT 3/4-16	1
13	CY-198245-46680	BOLT 3/4-16	1
14	CY-198245-46680	BOLT 3/4-16	1
15	CY-198220-48140	FLANGE	1
16	CY-23414-190000	PACKING -19	2
17	CY-23414-190000	PACKING -19	2
18	CY-23414-190000	PACKING -19	2
19	CY-23414-190000	PACKING -19	2
20	CY-24311-000200	O-RING 1A P-20.0	1
21	CY-24311-000200	O-RING 1A P-20.0	1
22	CY-26018-060352	BOLT M 6X 35	4
23	CY-26106-060202	BOLT M 6X 20 PLATED	1
24	CY-26106-060402	BOLT M 6X 40 PLATED	2
25	CY-26106-080122	BOLT M 8X 12 PLATED	2
26	CY-26106-080352	BOLT M 8X 35 PLATED - S/N F000155 & BELOW	1
27	CY-26106-060122	BOLT M 6X 12 PLATED	1
28	CY-1E6102-84970	BAND 140, WIRE LOCK	1
29	CY-1A8160-17440	BRACKET, CLAMP KIT - S/N F000156 & ABOVE	1
30	CY-1A8160-17450	BRACKET COMP - S/N F000156 & ABOVE	1
31	CY-1A8160-17461	BRACKET (PIPE CLAMP) - S/N F000156 & ABOVE	1
32	CY-195616-24930	TRIM - S/N F000156 & ABOVE	1
33	CY-198268-17790	CLAMP, PIPE 12 - S/N F000156 & ABOVE	2
34	CY-26106-080252	BOLT M 8X 25 PLATED - S/N F000156 & ABOVE	2

FIG. 29. CLUTCH HOUSING



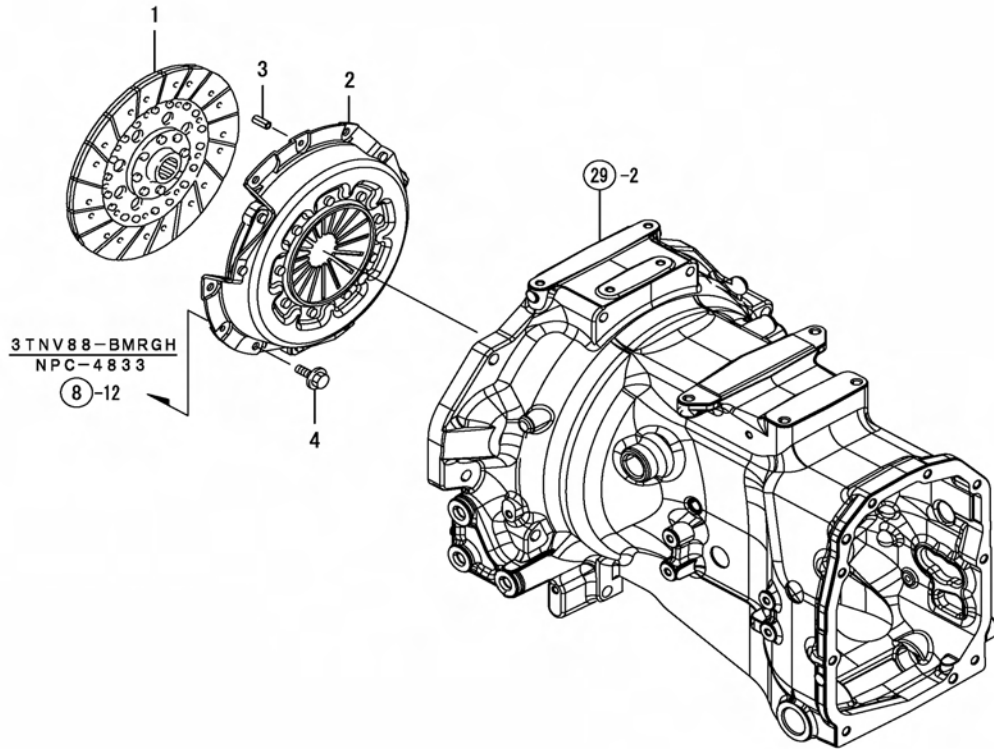
REF NO.	PART NUMBER	DESCRIPTION	QTY
1	CY-194450-11190	PLUG 15	6
2	CY-1A8160-21100	HOUSING, CLUTCH CMP	1
3	CY-194740-06080	BUSH 25X30X18	4
4	CY-194190-22250	PIN	2
5	CY-194130-22280	BUSH 20X25X25	2
6	CY-26216-100802	STUD M10X 80 PLATED	2
7	CY-26716-100002	NUT 10	2
8	CY-22217-100000	SPRING WASHER 10	2

FIG. 30. DOCKING BOLT



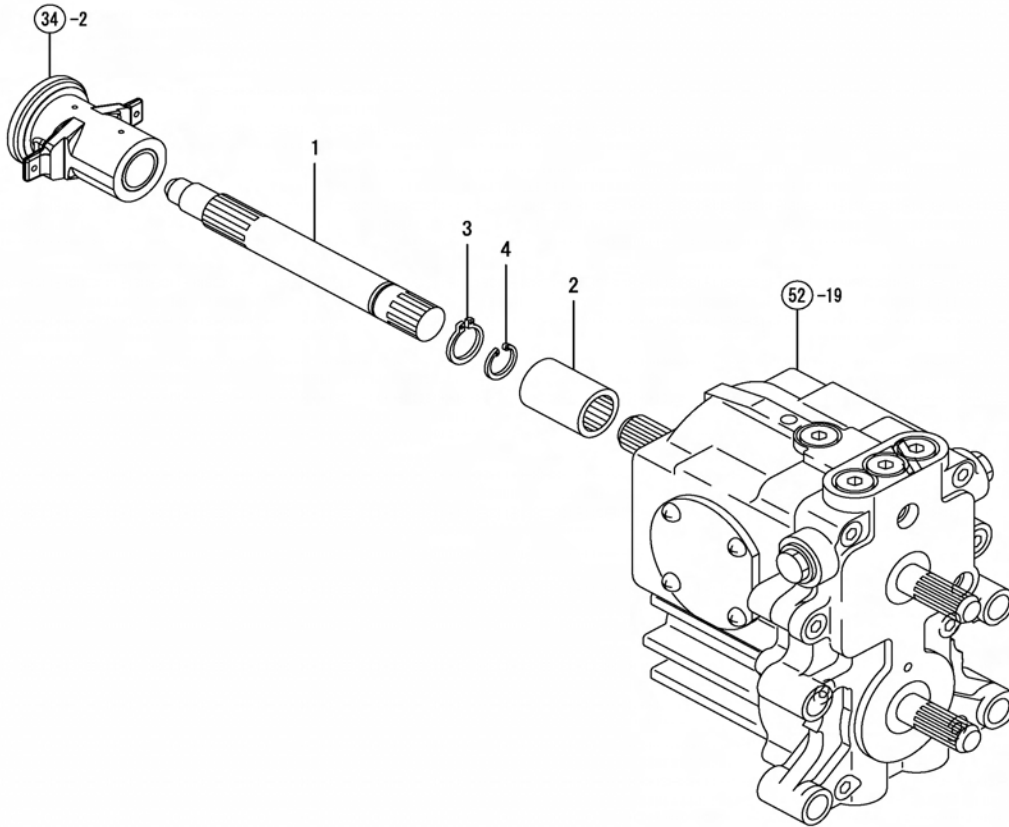
REF NO.	PART NUMBER	DESCRIPTION	QTY
1	CY-194150-21910	PLUG 11.2	2
2	CY-22217-120000	SPRING WASHER 12	1
3	CY-22351-080018	SPRING PIN 8X18	2
4	CY-24761-020000	NIPPLE PT1/8,GREASE	2
5	CY-26013-120352	BOLT M12X 35	1
6	CY-26013-121052	BOLT M12X105	3
7	CY-26013-121152	BOLT M12X115	2
8	CY-26013-121402	BOLT M12X140	2
9	CY-26716-120002	NUT 12	1
10	CY-198240-21180	COVER	1
11	CY-26106-080162	BOLT M 8X 16 PLATED	2

FIG. 31. SINGLE CLUTCH



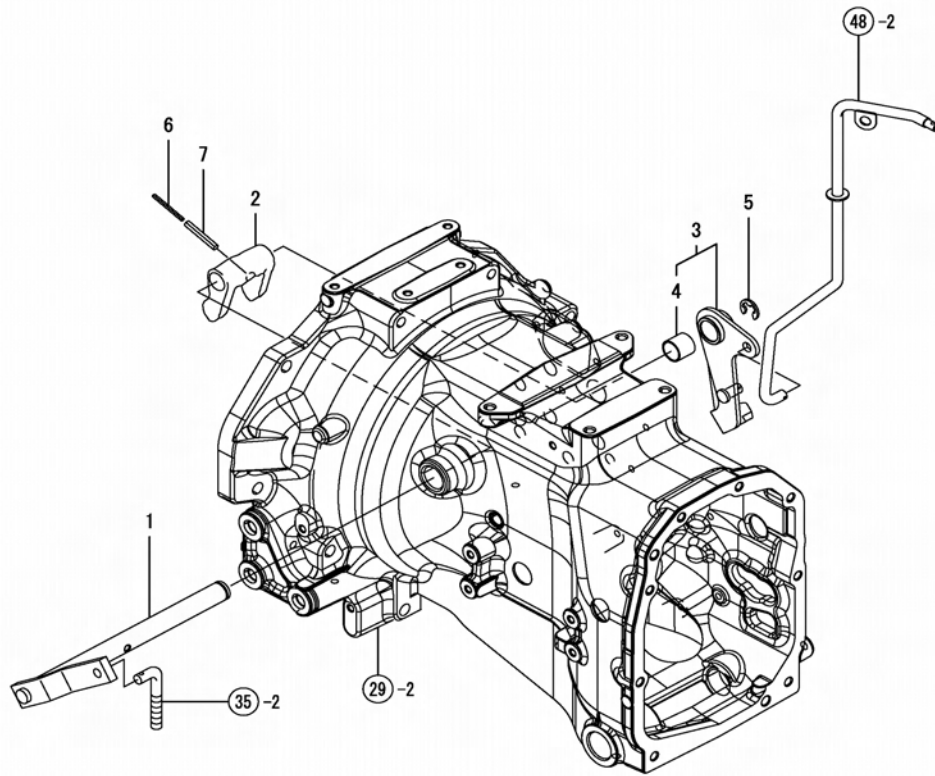
REF NO.	PART NUMBER	DESCRIPTION	QTY
1	CY-198287-21510	DISK, CLUTCH 225	1
2	CY-198287-21700	PLATE, PRESSURE	1
3	CY-22351-080018	SPRING PIN 8X18	3
4	CY-26106-080162	BOLT M 8X 16 PLATED	6

FIG. 32. CLUTCH SHAFT



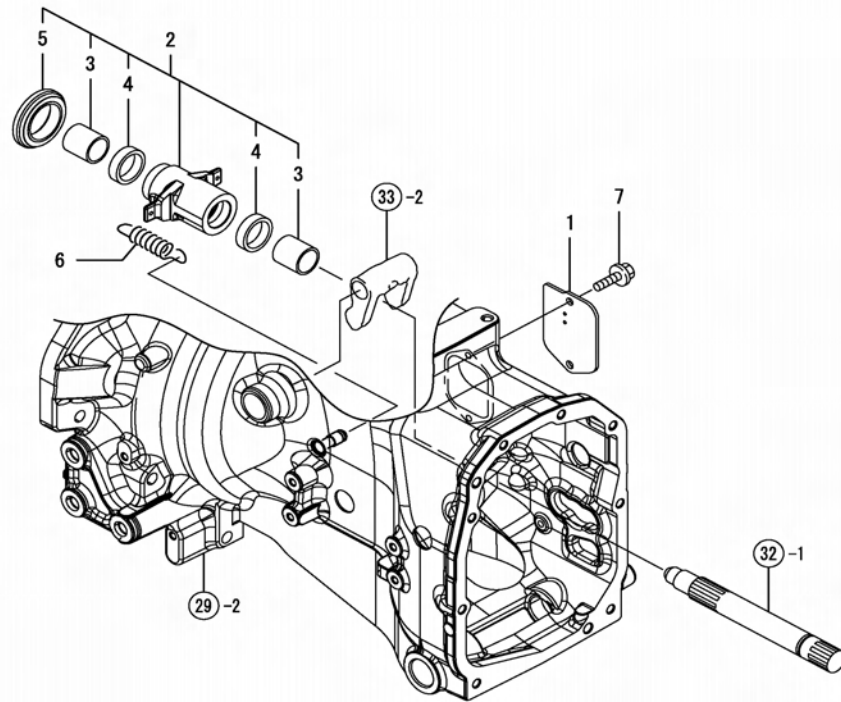
REF NO.	PART NUMBER	DESCRIPTION	QTY
1	CY-1A8160-22110	SHAFT, MAIN DRIVE	1
2	CY-1A8160-22120	JOINT, 25X50	1
3	CY-22242-000240	CIRCLIP 24	1
4	CY-22252-000220	CIRCLIP 22	1

FIG. 33. CLUTCH RELEASE



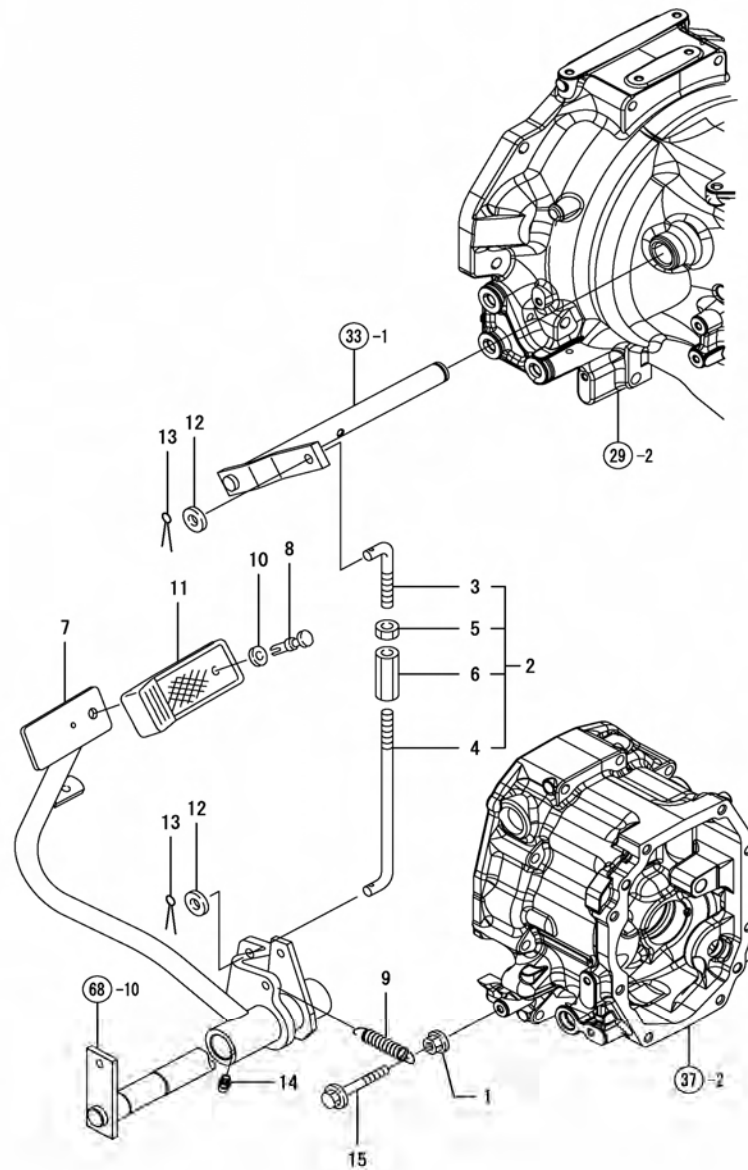
REF NO.	PART NUMBER	DESCRIPTION	QTY
1	CY-1A8160-22240	SHAFT, RELEASE	1
2	CY-198220-22310	YOKE, CLUTCH RELEASE	1
3	CY-1A8160-27400	PLATE, CRUISE ASSY	1
4	CY-24550-020200	BUSH 20X20, DRY	1
5	CY-22272-000150	CIRCLIP E-15	1
6	CY-22351-035040	SPRING PIN 3.5X40	1
7	CY-22351-060040	SPRING PIN 6X40	1

FIG. 34. BEARING SLEEVE



REF NO.	PART NUMBER	DESCRIPTION	QTY
1	CY-1A8160-21180	COVER, HOUSING	1
2	CY-1A8160-22150	SLEEVE, ASSY	1
3	CY-194130-22160	BUSH 25X30X31	2
4	CY-194130-22170	FELT	2
5	CY-194990-42710	BEARING, CLUTCH	1
6	CY-198327-22230	SPRING, RETURN	2
7	CY-26106-080162	BOLT M 8X 16 PLATED	2

FIG. 35. CLUTCH PEDAL



REF NO.	PART NUMBER	DESCRIPTION	QTY
1	CY-194990-22140	NUT W/WASHER 8	1
2	CY-798220-22350	ROD KIT, CLUTCH PEDAL	1
3	CY-198220-22350	ROD	1
4	CY-198220-22470	ROD, CLUTCH	1
5	CY-194150-22480	NUT M10	1
6	CY-194300-22260	TURNBUCKLE M10	1
7	CY-1A8160-22410	CLUTCH PEDAL	1
8	CY-198133-22510	RIVET, PEDAL HEAD	1
9	CY-198220-22520	SPRING, CLUTCH	1
10	CY-198133-22530	WASHER, RIVET	1
11	CY-198071-37510	COVER, PEDAL HEAD	1
12	CY-22137-100000	WASHER 10,POLISHED	2
13	CY-22417-250300	COTTER PIN 2.5X30	2
14	CY-24761-010000	NIPPLE M6F, GREASE	1
15	CY-26106-080502	BOLT M 8X 50 PLATED	1

THIS PAGE INTENTIONALLY LEFT BLANK

FIG. 36. TRANSMISSION CASE

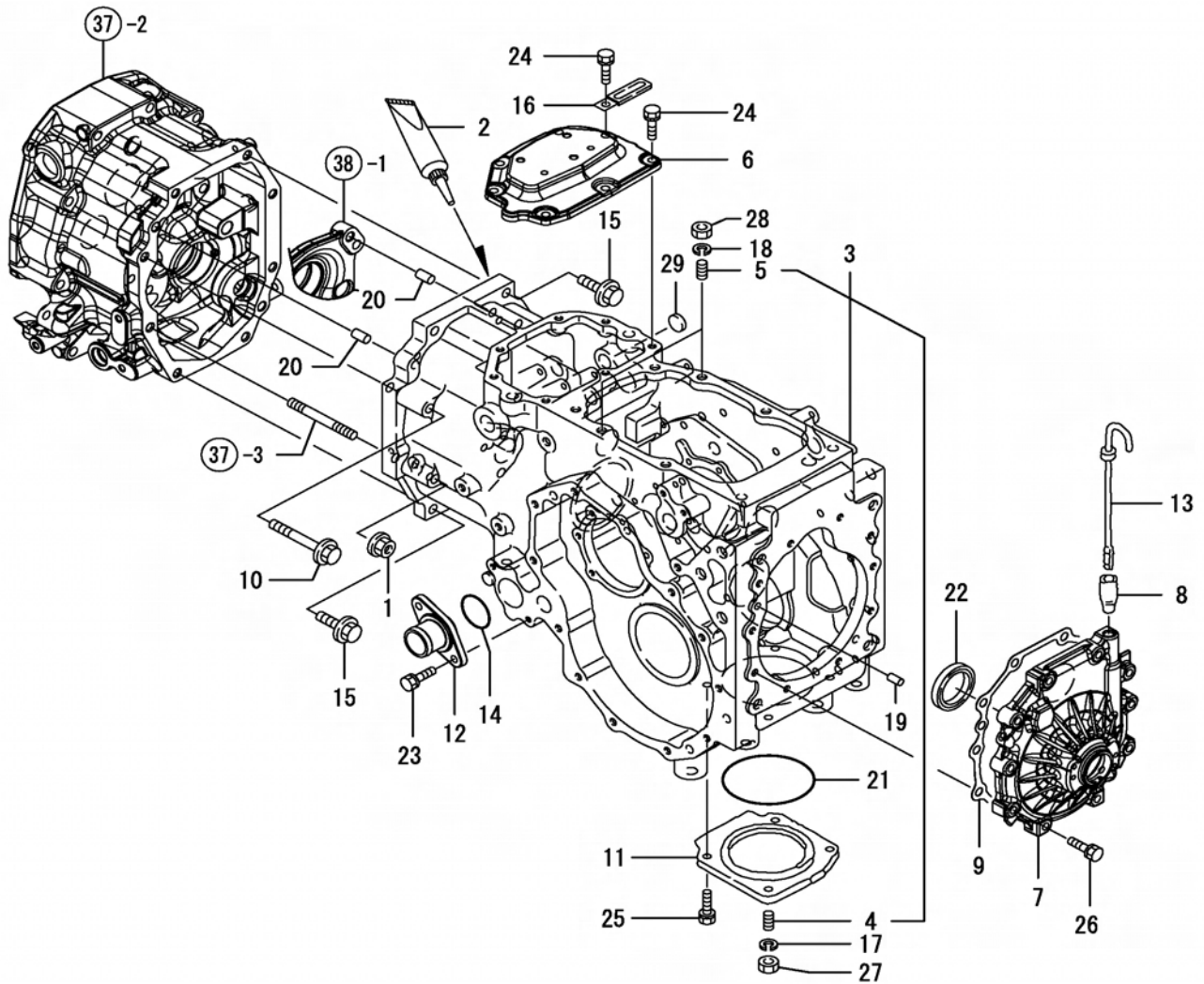
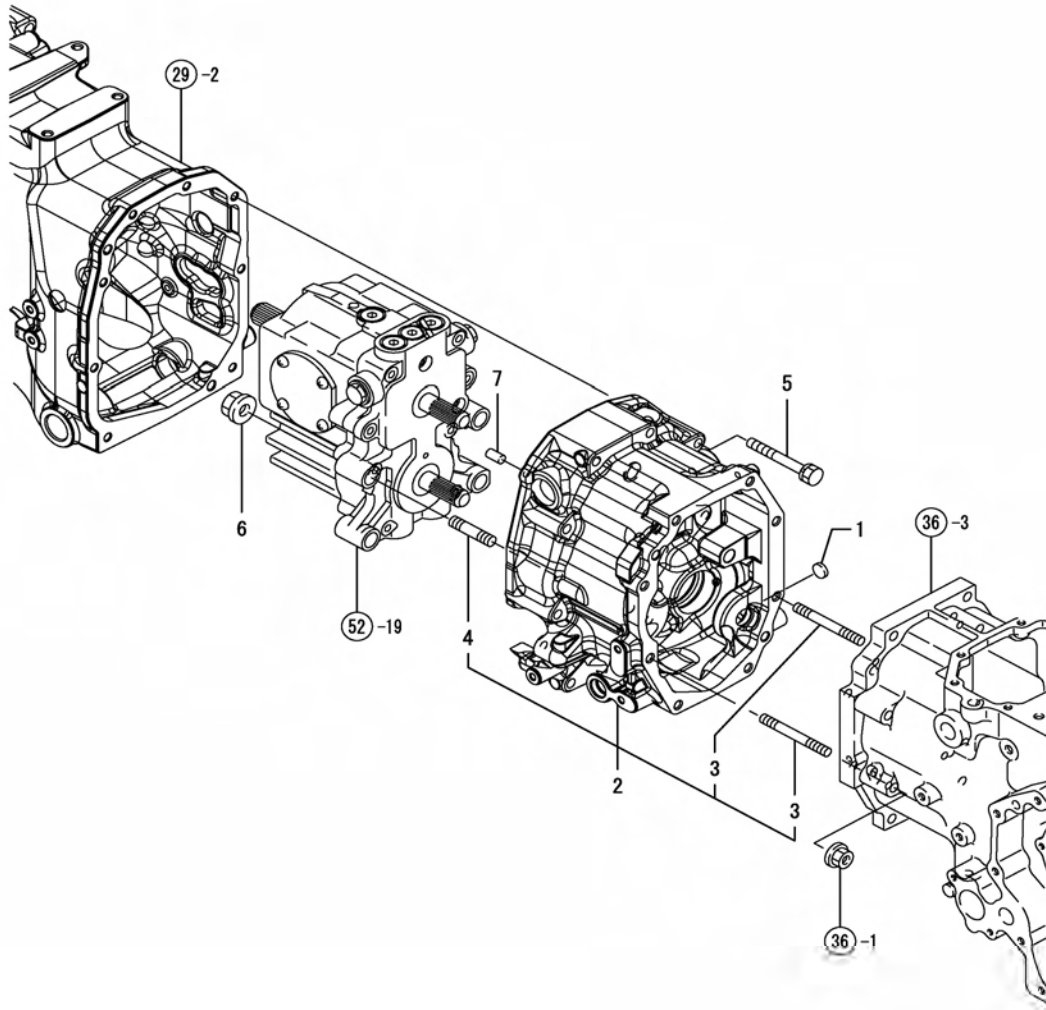


FIG. 36. TRANSMISSION CASE

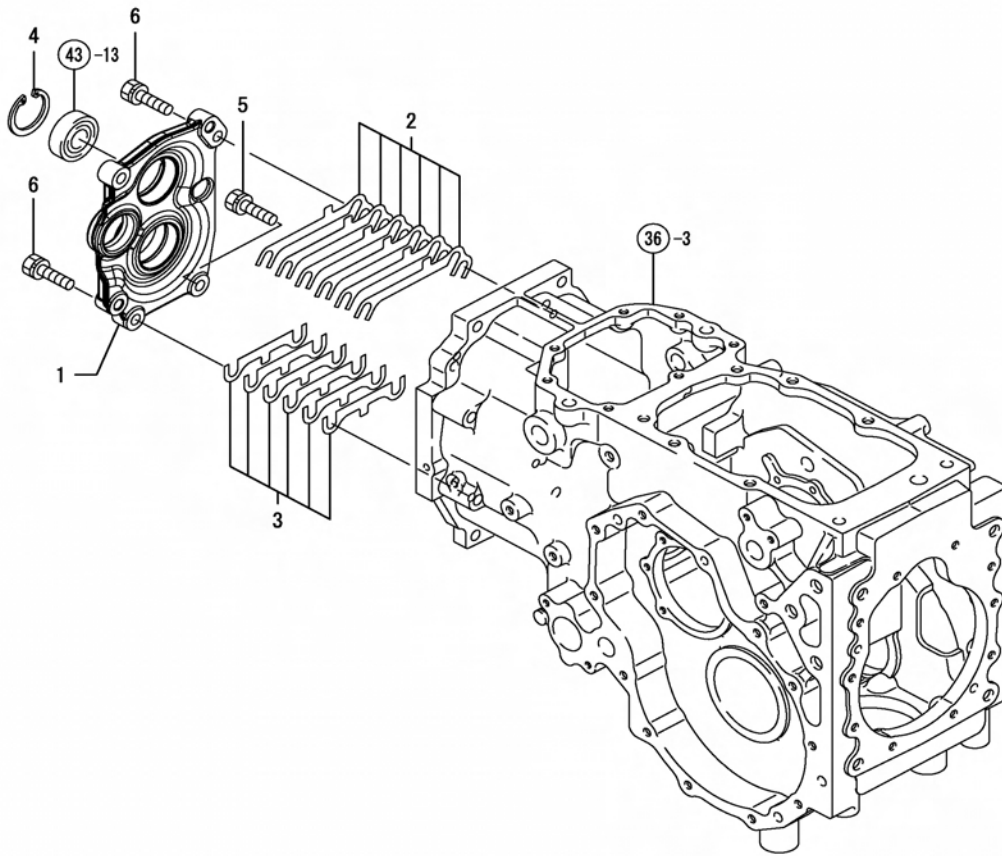
REF NO.	PART NUMBER	DESCRIPTION	QTY
1	CY-1A8160-13930	NUT 10	2
2	CY-194855-24020	SEALANT, TUBE	1
3	CY-1A8160-24100	CASE, MISSION CMP	1
4	CY-26216-100252	STUD M10X 25 PLATED	1
5	CY-26216-100252	STUD M10X 25 PLATED	2
6	CY-198220-24211	COVER, MISSION CASE	1
7	CY-198220-24341	COVER, REAR COMP.	1
8	CY-119860-34810	GUIDE, DIPSTICK	1
9	CY-198220-24360	GASKET, REAR COVER	1
10	CY-1A8160-24390	BOLT, 10X75	2
11	CY-198220-24480	COVER, BOTTOM	1
12	CY-1A8160-24920	FLANGE, STRAINER	1
13	CY-194850-24960	GAUGE COMP, OIL	1
14	CY-194180-26690	O-RING 2035	1
15	CY-198266-28390	BOLT, 10X35	4
16	CY-194440-51620	CLAMP, WIRE HARNESS	1
17	CY-22217-100000	SPRING WASHER 10	1
18	CY-22217-100000	SPRING WASHER 10	2
19	CY-22312-080160	PARALLEL PIN 8X 16	2
20	CY-22312-100180	PARALLEL PIN 10X 18	4
21	CY-24321-000950	O-RING 1A G-95.0	1
22	CY-24421-405508	SEAL TC40 55 08, OIL	1
23	CY-26013-080202	BOLT W/WASHER M8X20	2
24	CY-26013-080202	BOLT W/WASHER M8X20	7
25	CY-26013-100302	BOLT M10X 30	3
26	CY-26013-080352	BOLT M 8X 35	10
27	CY-26716-100002	NUT 10	1
28	CY-26716-100002	NUT 10	2
29	CY-27260-200000	PLUG 20, BORE	1

FIG. 37. CENTER PLATE



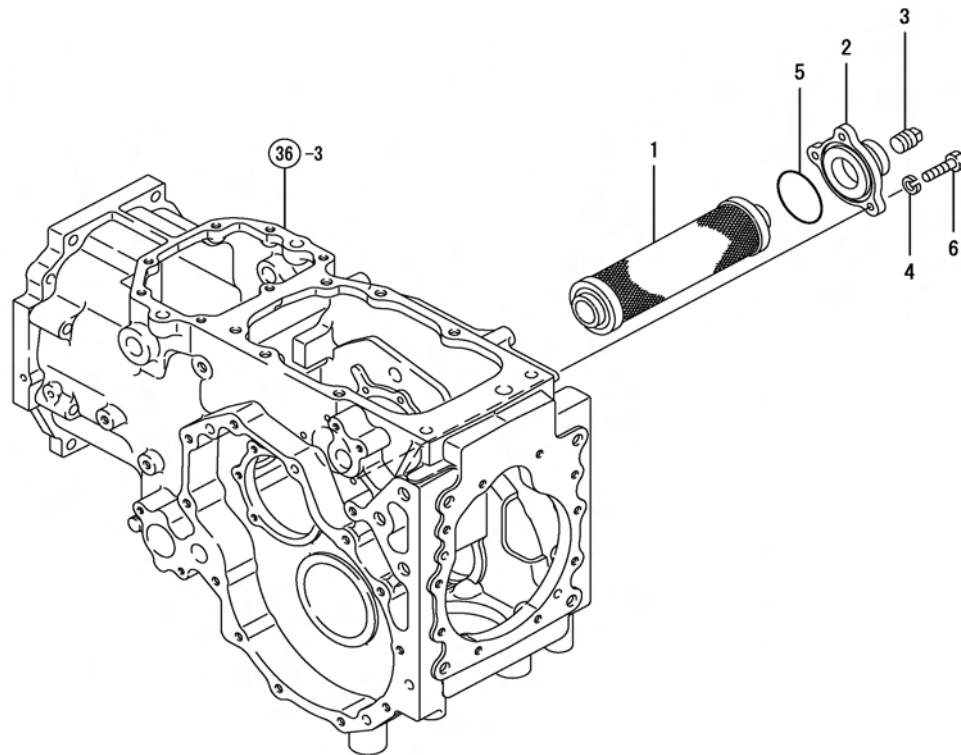
REF NO.	PART NUMBER	DESCRIPTION	QTY
1	CY-194197-21170	PLUG 17,BORE	1
2	CY-1A8160-24300	CENTER PLATE COMP	1
3	CY-1A8160-24400	STUD, BOLT 10X75	2
4	CY-26216-120552	STUD M12X 55 PLATED	1
5	CY-26013-100802	BOLT 10X80	6
6	CY-26366-120002	U-NUT M12	1
7	CY-22312-100180	PARALLEL PIN 10X 18	2

FIG. 38. BEARING RETAINER



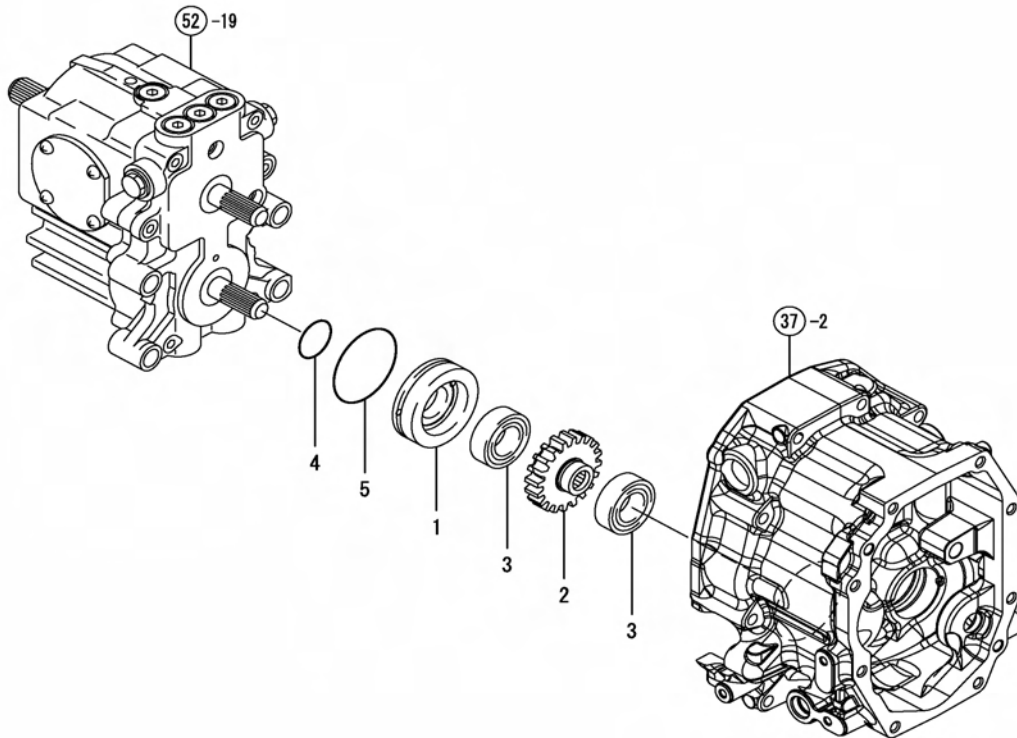
REF NO.	PART NUMBER	DESCRIPTION	QTY
1	CY-1A8160-24160	RETAINER, BEARING	1
2	CY-1A8160-24200	SHIM, SET	1
3	CY-1A8160-24250	SHIM, SET	1
4	CY-22252-000470	CIRCLIP 47(H)	1
5	CY-26013-100252	BOLT W/WASHER M10X25	1
6	CY-26013-100352	BOLT M10X 35	3

FIG. 39. OIL STRAINER



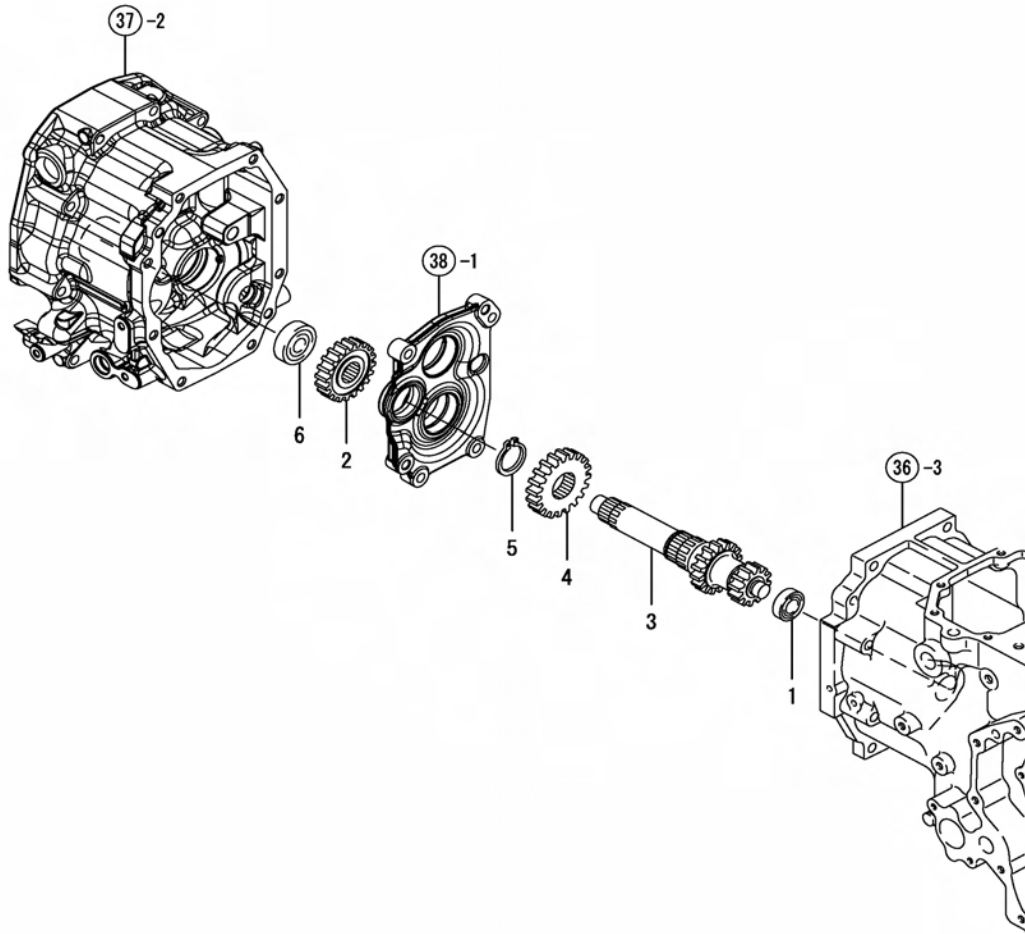
REF NO.	PART NUMBER	DESCRIPTION	QTY
1	CY-194515-24930	FILTER, SUCTION	1
2	CY-198220-24970	COVER, OIL STRAINER	1
3	CY-194322-24980	PLUG 1/2-NPT	1
4	CY-22217-080000	SPRING WASHER 8	3
5	CY-24321-000500	O-RING 1A G-50.0	1
6	CY-26116-080202	BOLT M 8X 20 PLATED	3

FIG. 40. INPUT GEAR



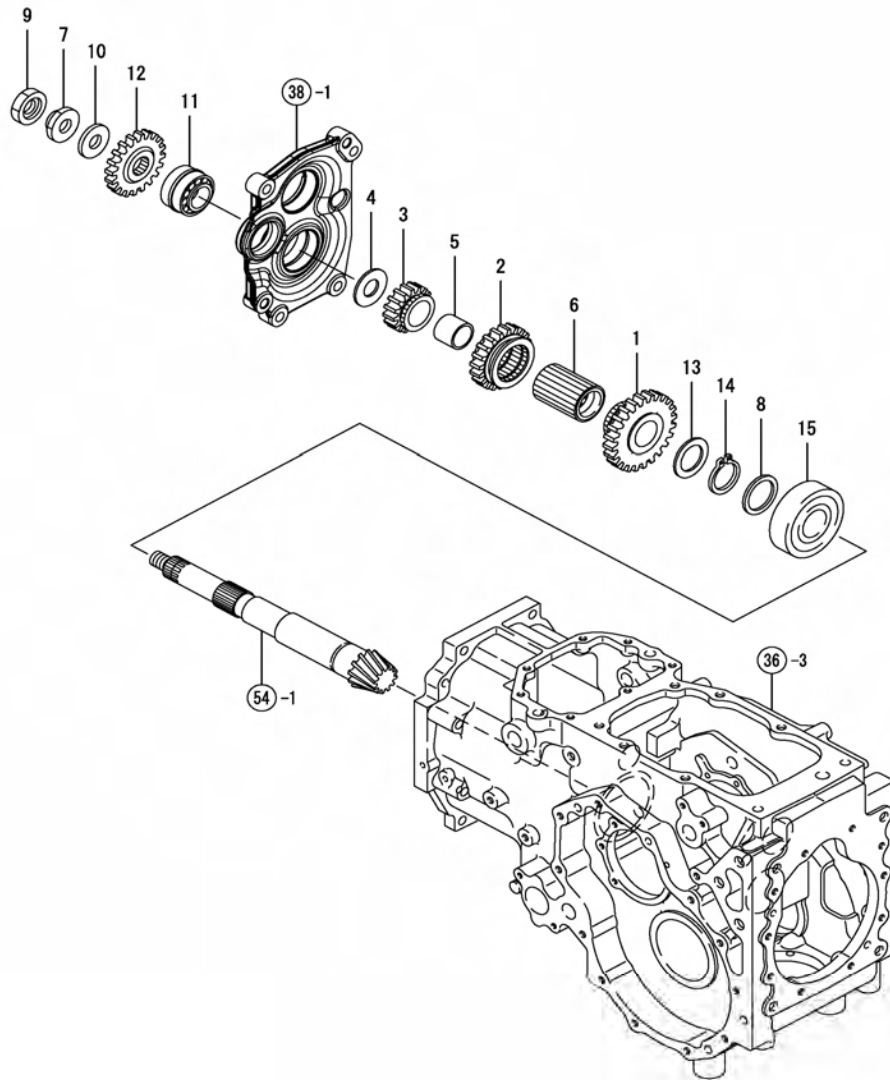
REF NO.	PART NUMBER	DESCRIPTION	QTY
1	CY-1A8160-24330	RETAINER, A	1
2	CY-1A8160-25310	PINION 33	1
3	CY-24101-060064	BALL BEARING	2
4	CY-24311-000380	O-RING 1A P-38.0	1
5	CY-24351-310750	PACKING, 31075	1

FIG. 41. REDUCTION SHAFT



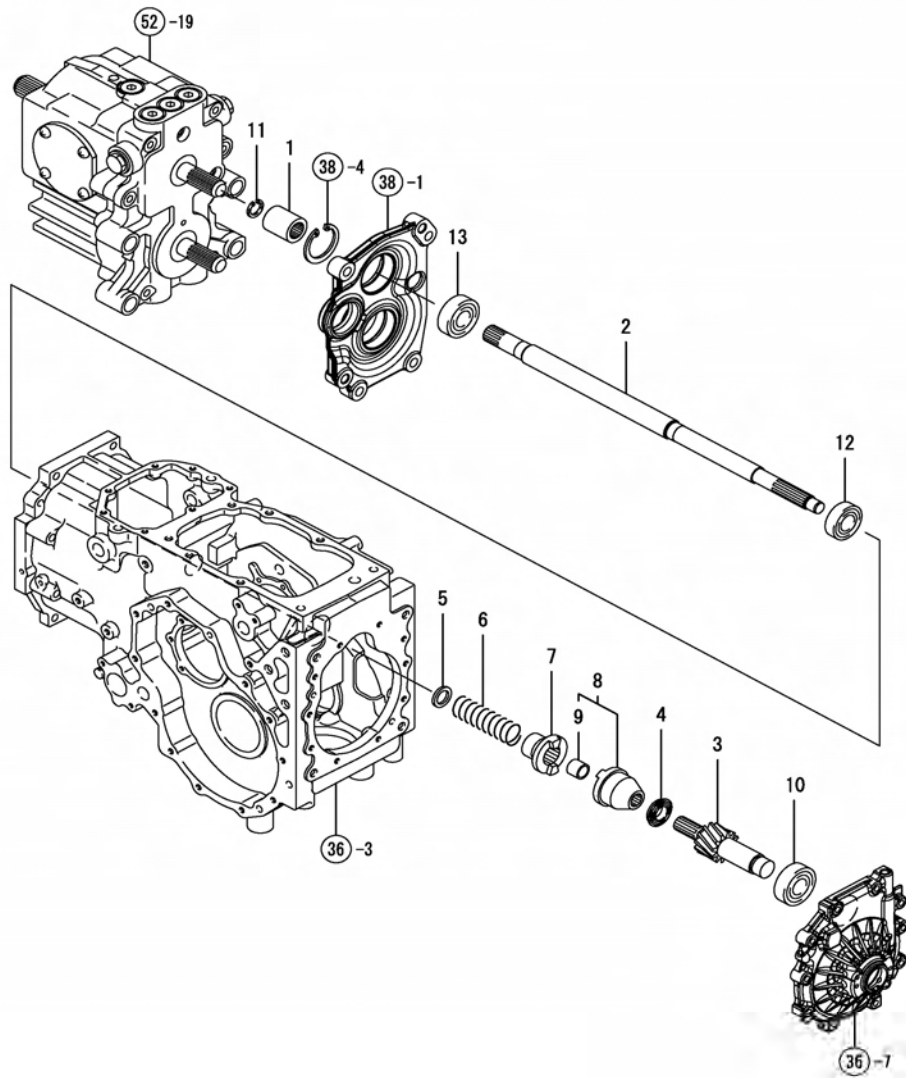
REF NO.	PART NUMBER	DESCRIPTION	QTY
1	CY-194305-25160	BALL BEARING	1
2	CY-1A8160-25320	GEAR 30	1
3	CY-1A8160-25350	SHAFT, REDUCTION	1
4	CY-1A8160-25380	PINION 33	1
5	CY-22242-000340	CIRCLIP 34	1
6	CY-24101-063044	BALL BEARING	1

FIG. 42. COUNTER SHAFT



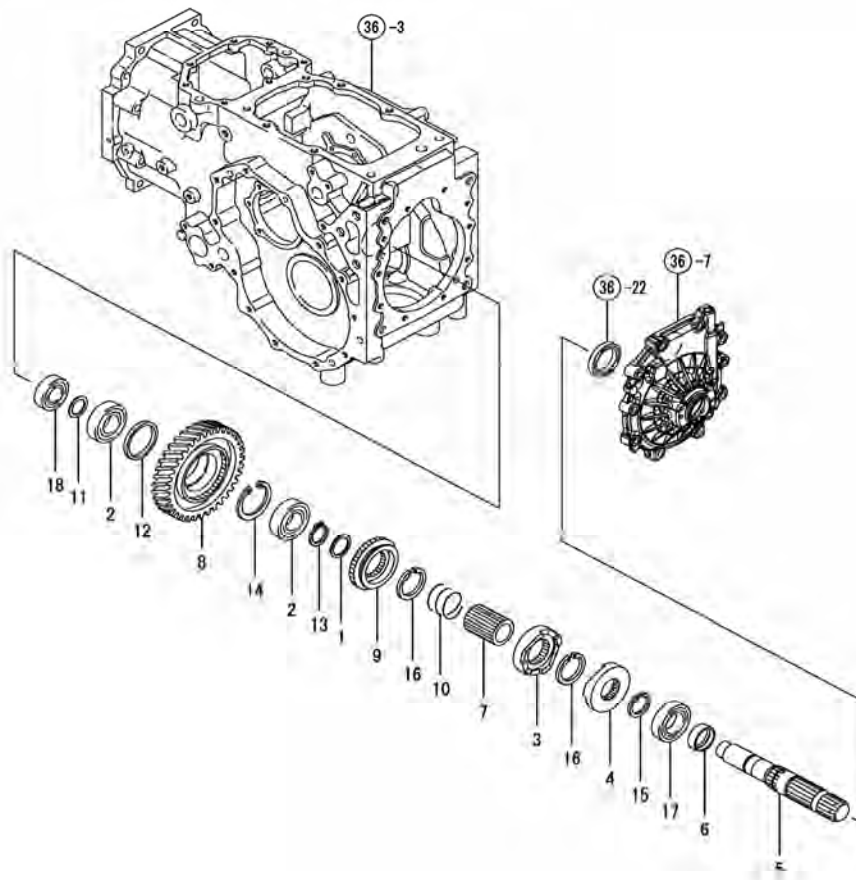
REF NO.	PART NUMBER	DESCRIPTION	QTY
1	CY-1A8160-25360	GEAR 27	1
2	CY-1A8160-25370	GEAR 22	1
3	CY-1A8160-25390	GEAR 21	1
4	CY-194150-25530	WASHER 20X43X2.5	1
5	CY-1A8160-25650	BUSH 25X30X25	1
6	CY-1A8160-25810	COLLAR, SPLINE	1
7	CY-198220-25830	NUT 16, LOWER	1
8	CY-194515-25840	WASHER 35X45X3	1
9	CY-198220-25840	NUT16, UPPER	1
10	CY-198415-25840	WASHER 16X38X4.5	1
11	CY-1A8160-25990	BEARING, 4T32005X	1
12	CY-1A8160-28190	PINION 27	1
13	CY-194191-28350	WASHER 30X45X2.5	1
14	CY-22242-000340	CIRCLIP 34	1
15	CY-24101-063074	BEARING	1

FIG. 43. P.T.O. DRIVE SHAFT



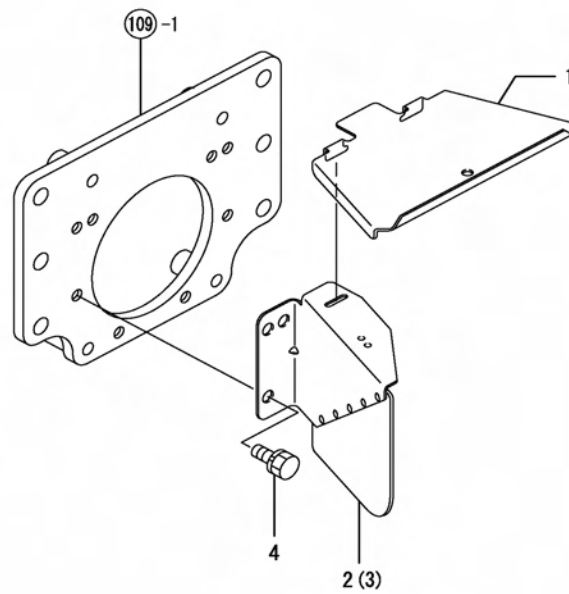
REF NO.	PART NUMBER	DESCRIPTION	QTY
1	CY-194310-25100	JOINT	1
2	CY-1A8160-26110	CONNECTING SHAFT	1
3	CY-198220-26110	SHAFT, PTO DRIVE	1
4	CY-198220-26130	BEARING HR6303NR	1
5	CY-1A8160-26300	WASHER, 17X25X3	1
6	CY-198220-26380	SPRING, CAM	1
7	CY-198220-26410	CLUTCH (A), 1-WAY	1
8	CY-198220-26430	CAM B KIT	1
9	CY-194446-26280	BUSH 14X18X15	1
10	CY-194405-83910	BEARING TMB204	1
11	CY-22252-000170	CIRCLIP 17	1
12	CY-24101-060044	BALL BEARING #6004	1
13	CY-24101-062044	BALL BEARING #6204	1

FIG. 44. P.T.O. SHAFT



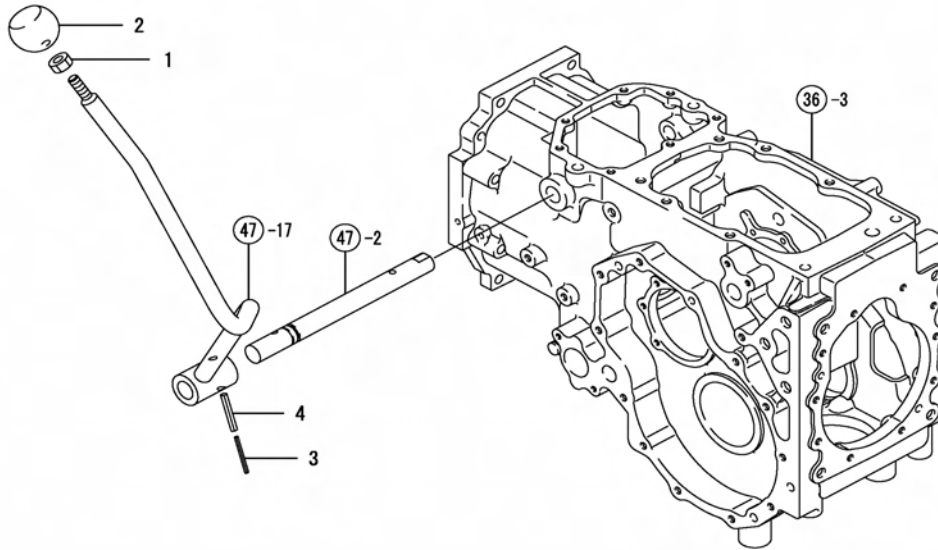
REF NO.	PART NUMBER	DESCRIPTION	QTY
1	CY-194515-25780	WASHER 30X38X2.3	1
2	CY-194555-25870	BALL BEARING	2
3	CY-198220-26460	CAM (C)	1
4	CY-198220-26470	CAM (D)	1
5	CY-198220-26500	SHAFT, PTO	1
6	CY-198220-26510	SLEEVE 35*40*13	1
7	CY-198220-26530	SLEEVE, SLIDER	1
8	CY-198220-26560	GEAR, PTO 53	1
9	CY-194197-26680	SLIDER	1
10	CY-194197-26710	SPRING	1
11	CY-194190-26840	SPACER 25X36X1.6	1
12	CY-198220-26920	SPACER 5*60.5* 6	1
13	CY-22242-000300	CIRCLIP 30	1
14	CY-22252-000620	CIRCLIP 62(H)	1
15	CY-22292-000350	CIRCLIP S-35	1
16	CY-22292-000450	CIRCLIP S-45	2
17	CY-24101-060074	BALL BEARING	1
18	CY-24101-062054	BEARING #6205	1

FIG. 45. P.T.O. SHIELD



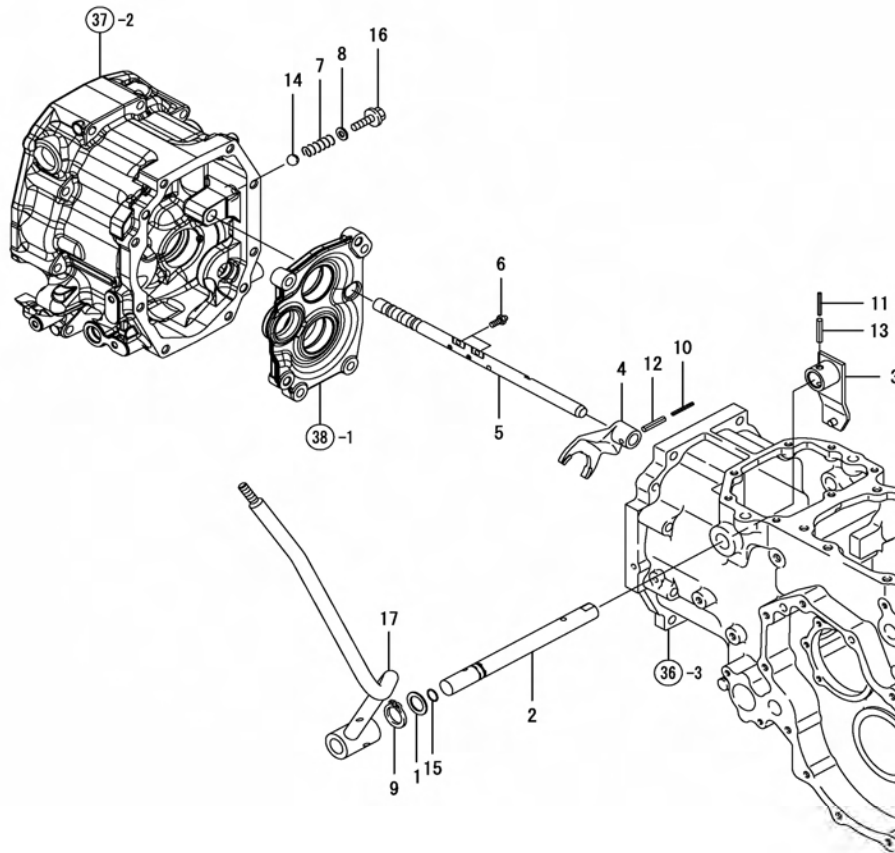
REF NO.	PART NUMBER	DESCRIPTION	QTY
1	CY-198220-26582	SHIELD, PTO KIT	1
2	CY-1A8160-26630	BRACKET L.H., PTO	1
3	CY-1A8160-26640	BRACKET,R.H., PTO	1
4	CY-26013-120202	BOLT W/WASHER M12X20	4

FIG. 46. RANGE LEVER



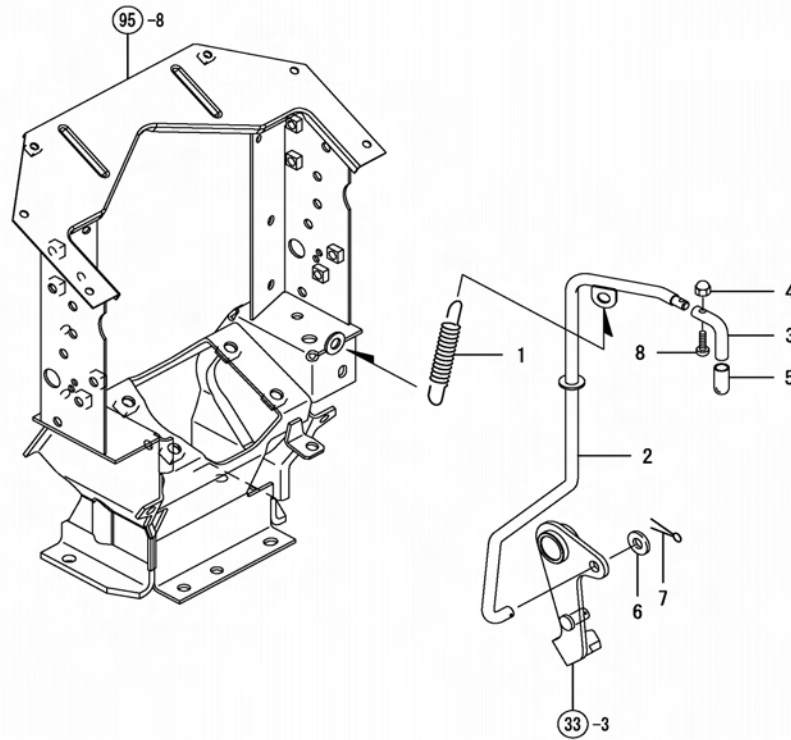
REF NO.	PART NUMBER	DESCRIPTION	QTY
1	CY-26716-100002	NUT 10	1
2	CY-198253-27510	KNOB	1
3	CY-22351-035040	SPRING PIN 3.5X40	1
4	CY-22351-060040	SPRING PIN 6X40	1

FIG. 47. RANGE LEVER PARTS



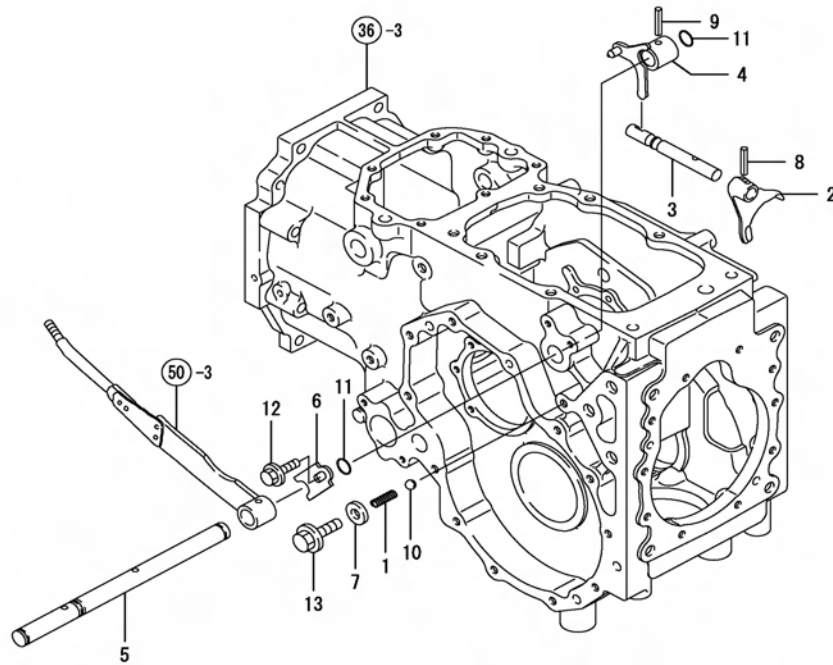
REF NO.	PART NUMBER	DESCRIPTION	QTY
1	CY-194191-13350	SPACER 20X30X1.6	1
2	CY-1A8160-27360	SHAFT, RANGE SHIFT	1
3	CY-1A8160-27380	ARM, RANGE SHIFT	1
4	CY-1A8160-27430	SHIFT FORK, RANGE	1
5	CY-1A8160-27440	FORK SHAFT, RANGE	1
6	CY-1A8160-27450	BOLT, SWITCH	2
7	CY-194680-27540	SPRING, FORK LOCK	1
8	CY-22190-080002	SEAL WASHER 8S	1
9	CY-22242-000200	CIRCLIP 20	1
10	CY-22351-035032	SPRING PIN 3.5X32	1
11	CY-22351-035032	SPRING PIN 3.5X32	1
12	CY-22351-060032	SPRING PIN 6X32	1
13	CY-22351-060032	SPRING PIN 6X32	1
14	CY-24190-080001	BALL 1/4, STEEL	1
15	CY-24311-000150	O-RING 1A P-15.0	1
16	CY-26106-080162	BOLT M 8X 16 PLATED	1
17	CY-1A8160-27350	LEVER, RANGE SHIFT	1

FIG. 48. CRUISE CONTROL



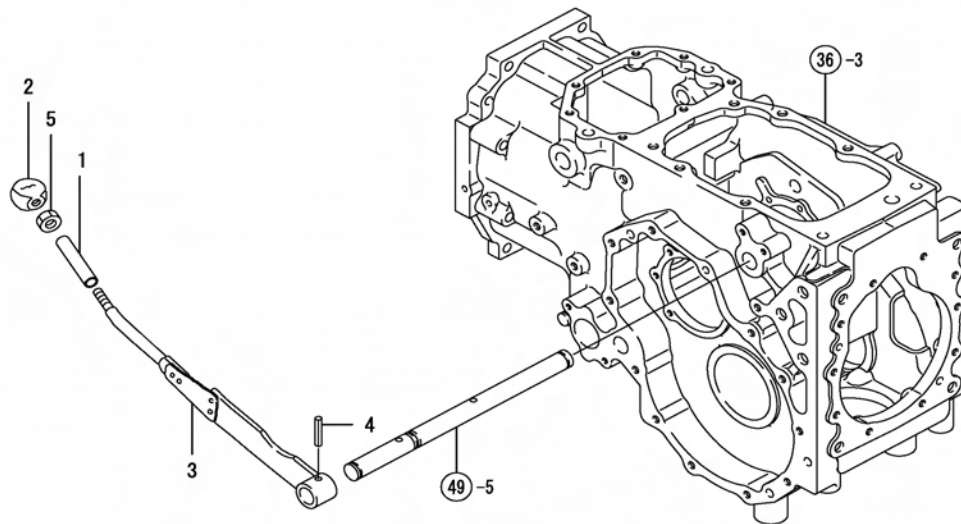
REF NO.	PART NUMBER	DESCRIPTION	QTY
1	CY-198220-22230	SPRING, RETURN	1
2	CY-1A8160-27500	LEVER, CRUISE CMP	1
3	CY-1A8160-27520	LEVER B, CRUISE	1
4	CY-1A8160-27530	CAP NUT 5, BK	1
5	CY-1C6980-56250	GRIP 10X25	1
6	CY-22137-100000	WASHER 10, POLISHED	1
7	CY-22417-250300	COTTER PIN 2.5X30	1
8	CY-26559-050162	SCREW	1

FIG. 49. P.T.O. SHIFTER



REF NO.	PART NUMBER	DESCRIPTION	QTY
1	CY-194145-27450	SPRING	1
2	CY-198220-27630	FORK, SHIFTER PTO	1
3	CY-198220-27640	SHAFT, FORK PTO	1
4	CY-198220-27650	ARM, SHIFT PTO	1
5	CY-198220-27700	SHAFT	1
6	CY-198220-27990	PLATE	1
7	CY-22190-100000	SEAL WASHER 10(BOLT)	1
8	CY-22351-060032	SPRING PIN 6X32	1
9	CY-22351-060032	SPRING PIN 6X32	1
10	CY-24190-100001	BALL 5/16, STEEL	1
11	CY-24311-000150	O-RING 1A P-15.0	2
12	CY-26106-080162	BOLT M 8X 16 PLATED	1
13	CY-26106-100252	BOLT M10X 25 PLATED	1

FIG. 50. P.T.O. LEVER



REF NO.	PART NUMBER	DESCRIPTION	QTY
1	CY-198220-26990	HOSE, PROTECTION	1
2	CY-198220-27290	KNOB	1
3	CY-19822027810F	LEVER, P.T.O. SHIFT	1
4	CY-22351-060032	SPRING PIN 6X32	1
5	CY-26756-100002	LOCK NUT M10 PLATED	1

FIG. 51. FRONT DRIVE

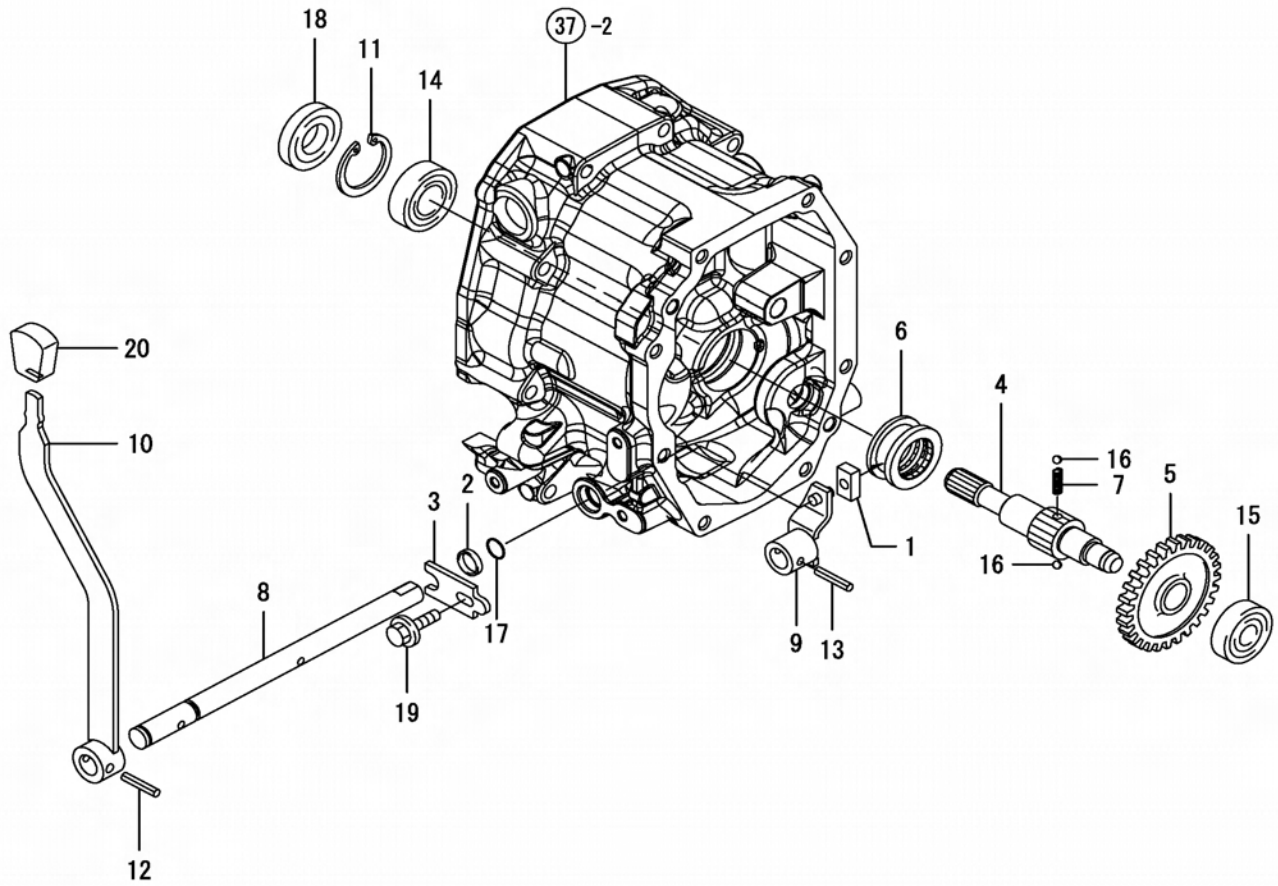


FIG. 51. FRONT DRIVE

REF NO.	PART NUMBER	DESCRIPTION	QTY
1	CY-198220-26790	SHOE. SHIFTER	1
2	CY-198119-27150	COLLAR	1
3	CY-198212-27990	PLATE, KEEP	1
4	CY-1A8160-28210	SHAFT, MFWD	1
5	CY-1A8160-28220	GEAR, FRONT 35	1
6	CY-1A8160-28230	SHIFTER, FRONT	1
7	CY-194301-28280	SPRING 25.8	1
8	CY-1A8160-28310	SHAFT, MFWD SHIFT	1
9	CY-1A8160-28320	SHIFT ARM, MFWD	1
10	CY-1A8160-28360	CHANGE ARM, FRONT	1
11	CY-22252-000520	CIRCLIP 52	1
12	CY-22351-060032	SPRING PIN 6X32	1
13	CY-22351-060032	SPRING PIN 6X32	1
14	CY-24101-062054	BEARING #6205	1
15	CY-24101-063034	BALL BEARING	1
16	CY-24190-080001	BALL 1/4, STEEL	2
17	CY-24311-000160	O-RING 1A P-16.0	1
18	CY-24421-255210	OIL SEAL TC255210	1
19	CY-26106-080162	BOLT M 8X 16 PLATED	1
20	CY-198273-28520	KNOB, P BRAKE	1

FIG. 52. HYDROSTATIC (HST)

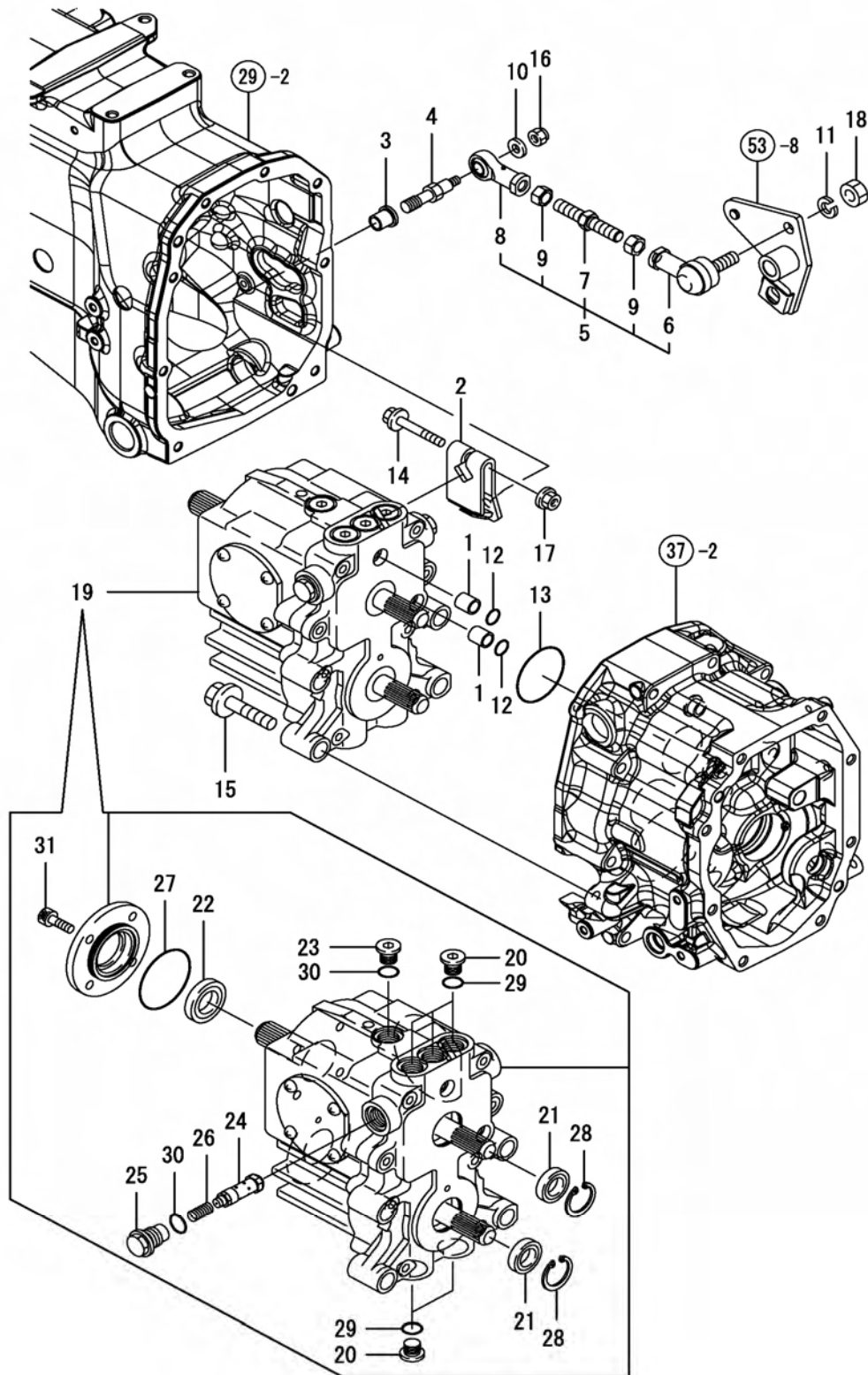
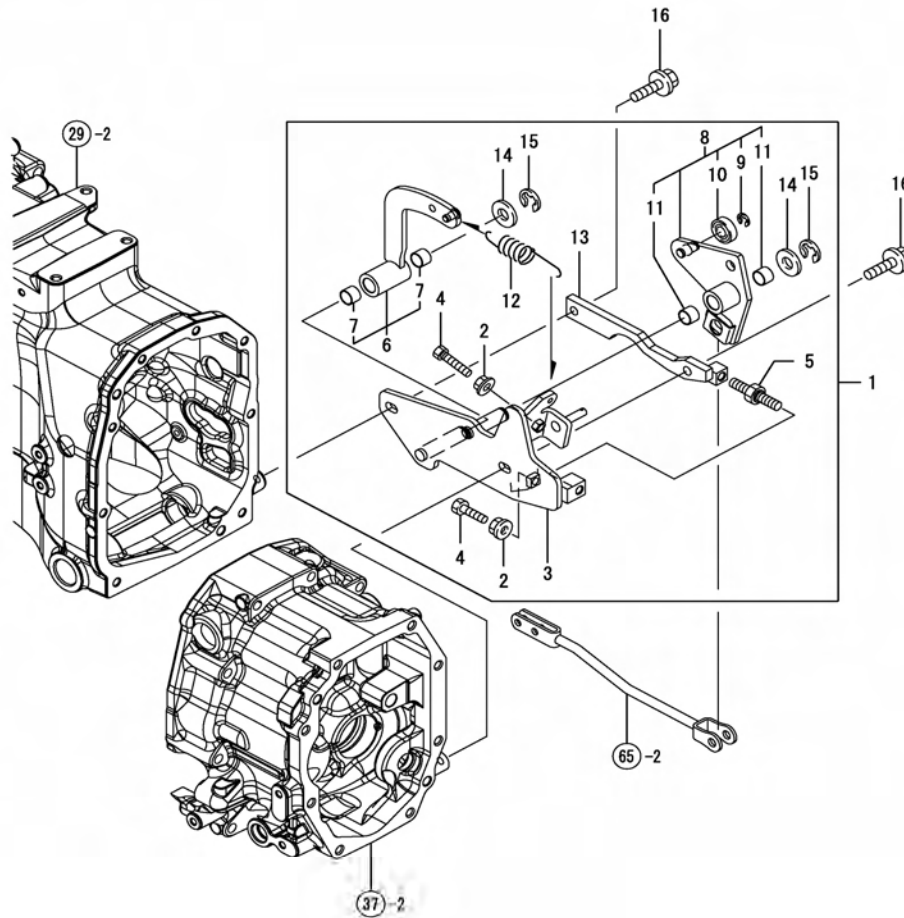


FIG. 52. HYDROSTATIC (HST)

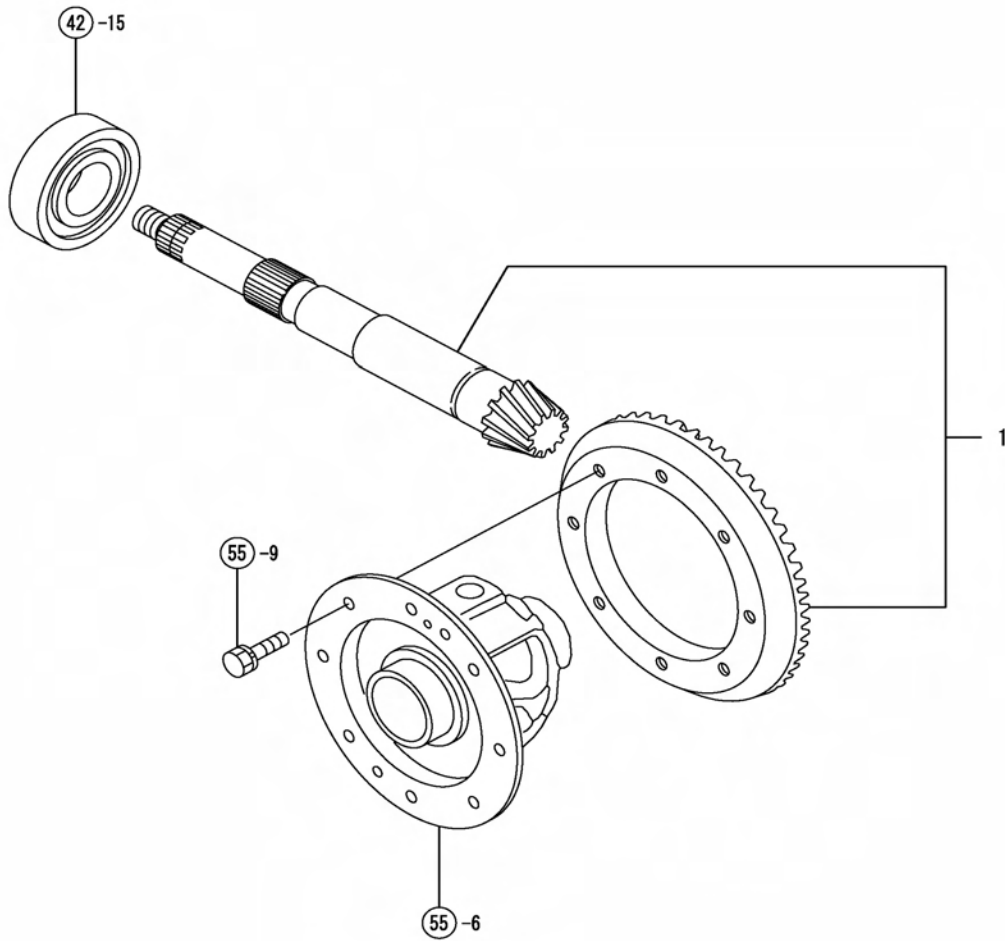
REF NO.	PART NUMBER	DESCRIPTION	QTY
1	CY-198280-24340	COLLAR, 12X16X17	2
2	CY-1A8160-27200	ARM, TRUNNION CMP	1
3	CY-1A8160-29540	COLLAR, TRUNNION	1
4	CY-1A8160-29550	PIN,TRUNNION	1
5	CY-1A8160-29560	ROD END ASSY, HST	1
6	CY-198280-29570	ROD END	1
7	CY-1A8160-29580	BOLT,ROD END	1
8	CY-1E8080-64710	ROD END	1
9	CY-26716-120002	NUT 12	2
10	CY-22137-080000	WASHER 8, POLISHED	1
11	CY-22217-120000	SPRING WASHER 12	1
12	CY-24311-000160	O-RING 1A P-16.0	2
13	CY-24321-000600	O-RING 1A G-60.0	1
14	CY-26106-080552	BOLT M 8X 55 PLATED	1
15	CY-26106-120552	BOLT, 12 X 55	3
16	CY-26346-080002	U-NUT M 8 PLATED	1
17	CY-26366-080002	NUT M 8	1
18	CY-26716-120002	NUT 12	1
19	CY-1A8160-25150	HST UNIT	1
20	CY-1A6750-29850	PLUG	5
21	CY-158802-85421	OIL SEAL	2
22	CY-158805-85420	SEAL 25*45*8.OIL	1
23	CY-158830-85960	PLUG	1
24	CY-168HJ1-85500	NCR, VALVE+0.7	2
25	CY-168HJ1-85580	PLUG	2
26	CY-168HP1-85570	SPRING (CHECK VALVE)	2
27	CY-168HJ1-85490	O RING S58.2	1
28	CY-22252-000360	CIRCLIP 36	2
29	CY-24315-000140	O-RING 1B P-14.0	5
30	CY-24315-000180	O-RING 1B P-18.0	3
31	CY-26450-080202	BOLT M 8X 20	4

FIG. 53. HST LINK



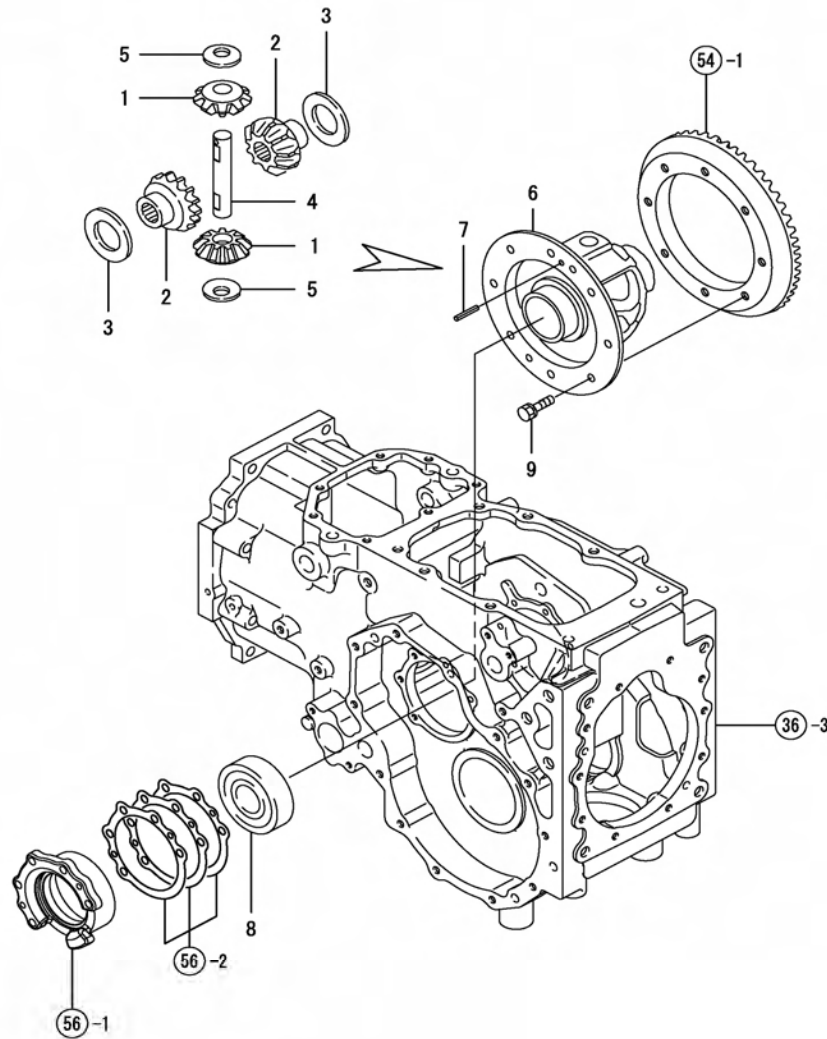
REF NO.	PART NUMBER	DESCRIPTION	QTY
1	CY-1A8160-29000	NEUTRAL, HST ASSY	1
2	CY-194990-22140	NUT W/WASHER 8	2
3	CY-1A8160-29150	BRACKET, NEUTRAL CMP	1
4	CY-1A8160-29270	BOLT, STOPPER	2
5	CY-1A8160-29280	TURNBUCKLE, NEUTRAL	1
6	CY-1A8160-29300	ARM, RETURN ASSY	1
7	CY-24550-015120	BUSH 15X12	2
8	CY-1A8160-29440	BRACKET, ROLLER ASSY	1
9	CY-22272-000070	CIRCLIP E- 7	1
10	CY-24104-060000	BEARING 6000UUC3	1
11	CY-24550-015120	BUSH 15X12	2
12	CY-198280-29490	SPRING,	1
13	CY-1A8160-29800	PLATE,ADJUST CMP	1
14	CY-22137-140000	WASHER 14,POLISHED	2
15	CY-22272-000120	CIRCLIP E-12	2
16	CY-26106-100302	BOLT M10X 30 PLATED	2

FIG. 54. RING GEAR



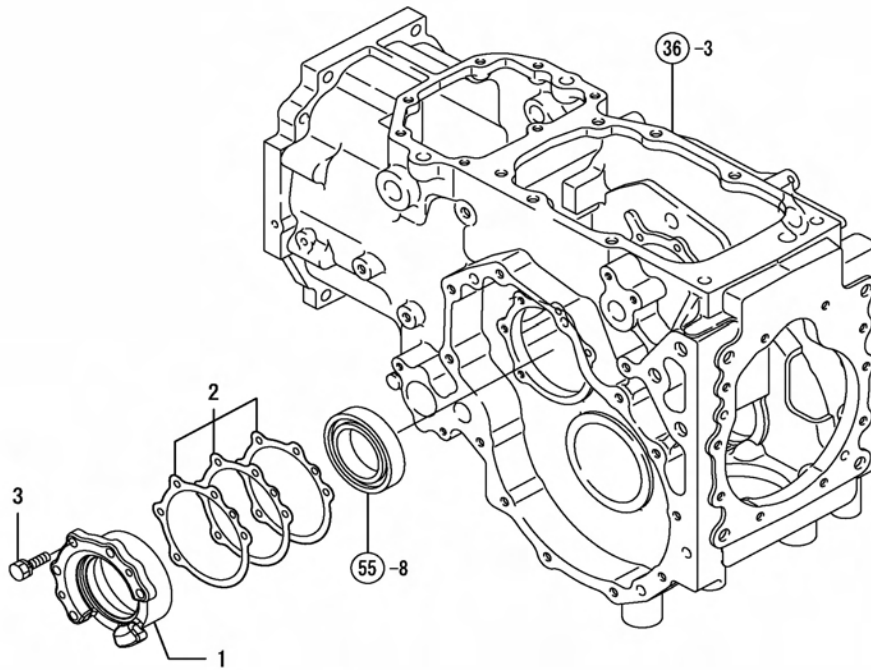
REF NO.	PART NUMBER	DESCRIPTION	QTY
1	CY-1A8160-31300	GEAR, RING ASSY	1

FIG. 55. DIFFERENTIAL GEAR



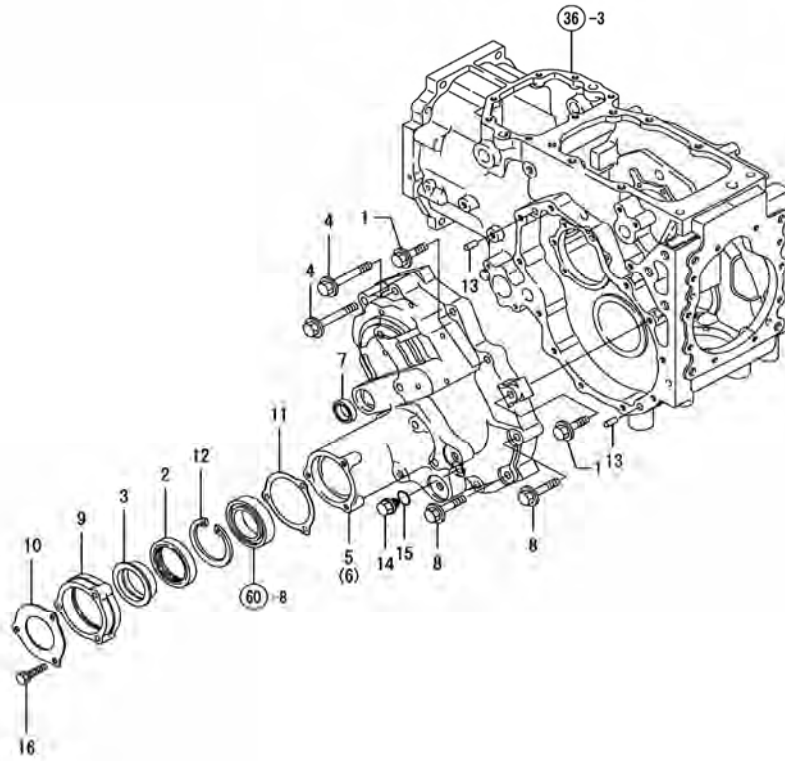
REF NO.	PART NUMBER	DESCRIPTION	QTY
1	CY-194321-13230	PINION, DIFFERENTIAL	2
2	CY-198230-31510	GEAR, DIFFERENTIAL	2
3	CY-194430-31610	WASHER, DIFFERENTIAL	2
4	CY-194430-31820	SHAFT, DIFFERENTIAL	1
5	CY-194430-31850	WASHER, DIFFERENTIAL	2
6	CY-198230-32110	CASE, DIFFERENTIAL	1
7	CY-22351-050030	SPRING PIN 5X30	1
8	CY-24101-060104	BALL BEARING	2
9	CY-26013-080202	BOLT W/WASHER M8X20	8

FIG. 56. DIFFERENTIAL CARRIER



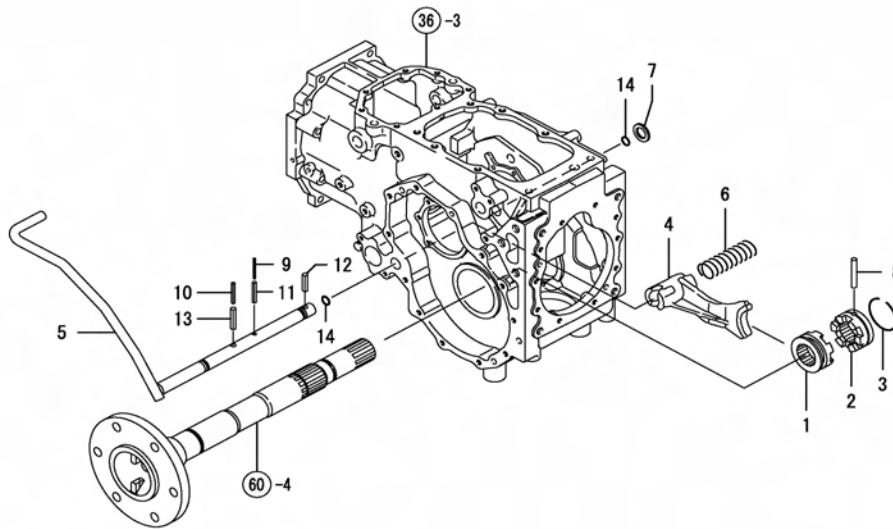
REF NO.	PART NUMBER	DESCRIPTION	QTY
1	CY-1A8160-32300	RETAINER	2
2	CY-794197-32350	SHIM SET	1
3	CY-26013-080252	BOLT M 8X 25	10

FIG. 57. REAR HOUSING



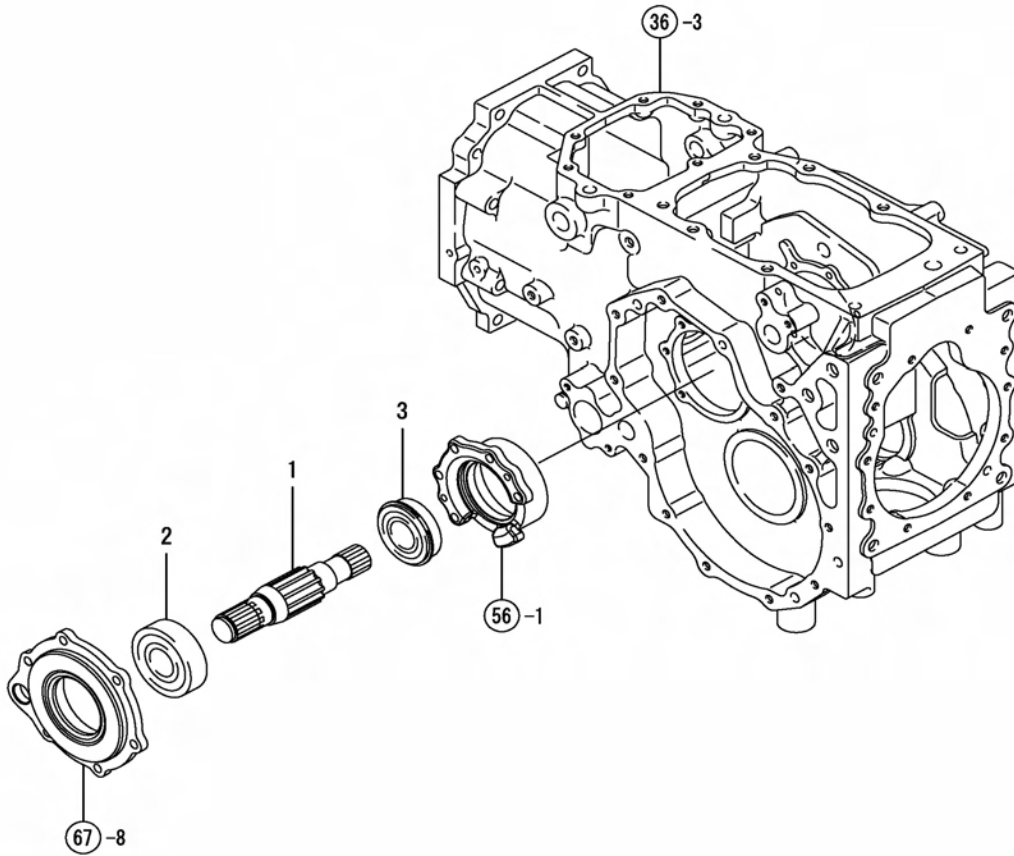
REF NO.	PART NUMBER	DESCRIPTION	QTY
1	CY-194465-11920	BOLT M10X 40	12
2	CY-194447-14140	SEAL TC6Y 57 75 12	2
3	CY-194447-14180	SLEEVE SL525718	2
4	CY-1A8160-24390	BOLT, 10X75	4
5	CY-1A8160-32600	REAR AXLE HOUSING, LH	1
6	CY-1A8160-32610	REAR AXLE HOUSING, RH	1
7	CY-198290-32750	SEAL TC253506,OIL	2
8	CY-1A8160-32810	BOLT, 10X55	8
9	CY-194197-34310	CASE, OIL SEAL	2
10	CY-194197-34320	COVER, OIL SEAL	2
11	CY-198220-34340	GASKET	2
12	CY-22252-000750	CIRCLIP 75	2
13	CY-22312-100180	PARALLEL PIN 10X 18	4
14	CY-23491-140002	PLUG 14	2
15	CY-24311-000160	O-RING 1A P-16.0	2
16	CY-26013-080402	BOLT M 8X 40	6

FIG. 58. DIFFERENTIAL LOCK



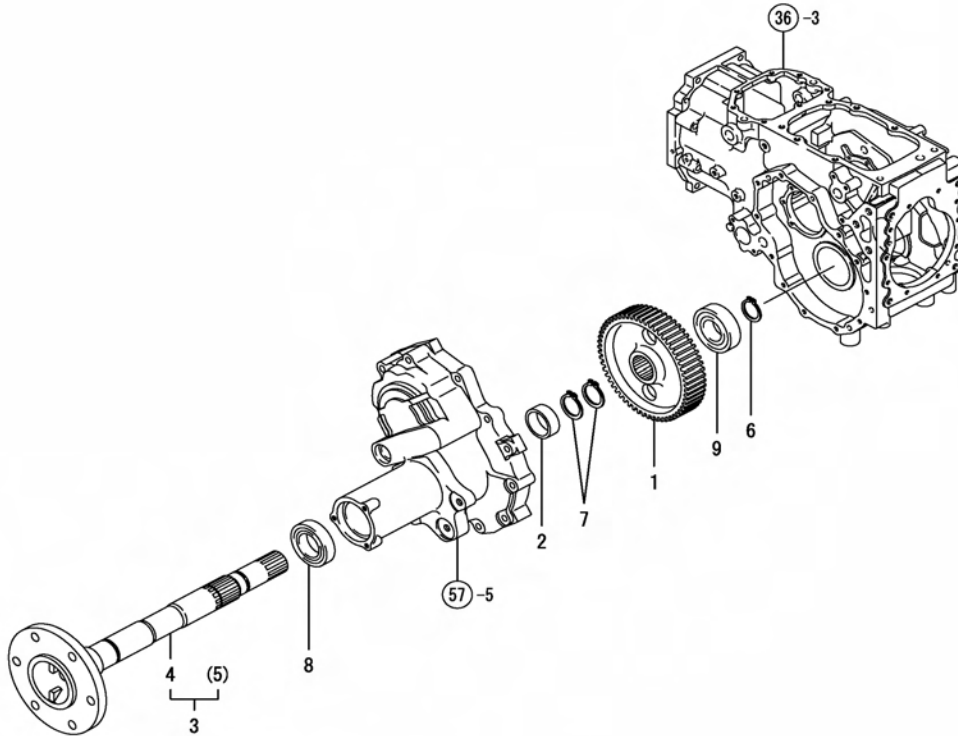
REF NO.	PART NUMBER	DESCRIPTION	QTY
1	CY-194197-33100	SLIDER, DIFFERENTIAL	1
2	CY-194197-33110	SLIDER, DIFFERENTIAL	1
3	CY-194197-33120	RING 58	1
4	CY-198220-33140	FORK,DIFF	1
5	CY-1A8160-33160	PEDAL, DIFFERENTIAL	1
6	CY-194300-33190	SPRING	1
7	CY-194300-33200	SPACER 20X32X3.2	1
8	CY-198220-33210	PIN 8*56	1
9	CY-22351-035040	SPRING PIN 3.5X40	1
10	CY-22351-050040	SPRING PIN 5X40	1
11	CY-22351-060040	SPRING PIN 6X40	1
12	CY-22351-080032	SPRING PIN 8X32	1
13	CY-22351-080040	SPRING PIN 8X40	1
14	CY-24311-000150	O-RING 1A P-15.0	2

FIG. 59. FINAL PINION



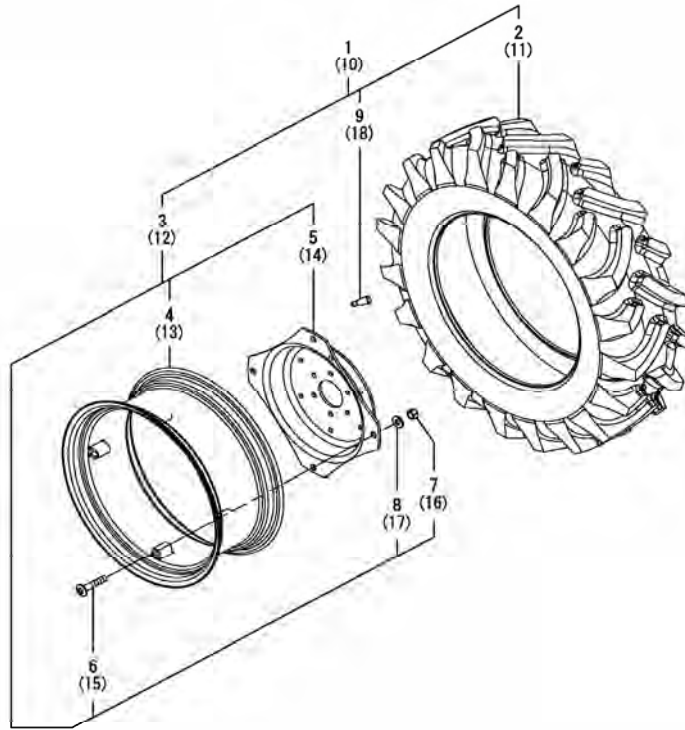
REF NO.	PART NUMBER	DESCRIPTION	QTY
1	CY-1A8160-33400	FINAL PINION	2
2	CY-24101-063064	BALL BEARING	2
3	CY-24121-062064	BALL BEARING	2

FIG. 60. FINAL GEAR & REAR AXLE SHAFT



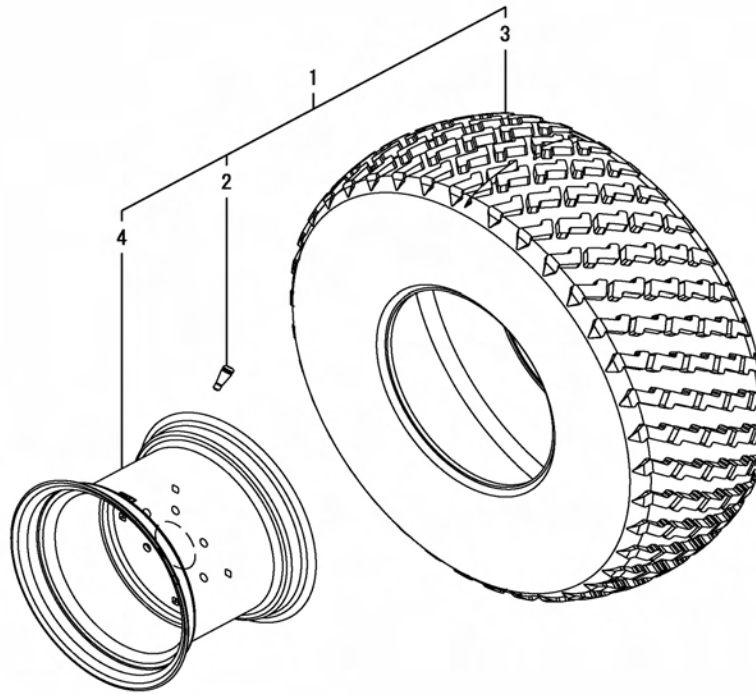
REF NO.	PART NUMBER	DESCRIPTION	QTY
1	CY-198230-33500	GEAR, FINAL DRIVE	2
2	CY-194440-32580	COLLAR 45X55X20	2
3	CY-198230-34050	SHAFT, REAR AXLE	1
4	CY-198230-34101	SHAFT, REAR AXLE	1
5	CY-198230-34111	SHAFT, REAR AXLE	1
6	CY-22242-000400	CIRCLIP 40	2
7	CY-22242-000450	CIRCLIP 45	4
8	CY-24101-060094	BALL BEARING	2
9	CY-24101-062084	BALL BEARING	2

FIG. 61. REAR WHEEL TIRE (BAR)



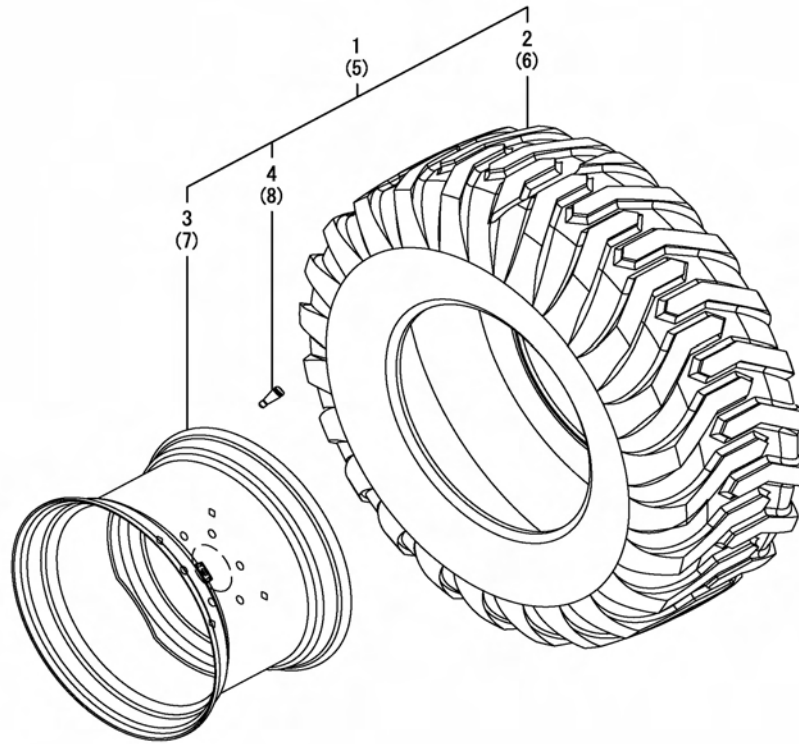
REF NO.	PART NUMBER	DESCRIPTION	QTY
1	CY-1A8160-34300	R1 TIRE KIT, WHEEL LEFT	1
2	CY-1A8160-34310	R1 TIRE 11.2X24	1
3	CY-1A8160-34330	R1 WHEEL	1
4	CY-1A8160-34340	R1 RIM ASSY	1
5	CY-1A8160-34360	R1 DISC ASSY	1
6	CY-1A8160-34370	R1 BOLT	4
7	CY-1A8160-34380	R1 NUT	4
8	CY-1A8160-34390	R1 WASHER	4
9	CY-1A8160-34350	R1 VALVE, R	1
10	CY-1A8160-34400	R1 TIRE KIT, WHEEL RIGHT	1
11	CY-1A8160-34310	R1 TIRE 11.2X24	1
12	CY-1A8160-34330	R1 WHEEL	1
13	CY-1A8160-34340	R1 RIM ASSY	1
14	CY-1A8160-34360	R1 DISC ASSY	1
15	CY-1A8160-34370	R1 BOLT	4
16	CY-1A8160-34380	R1 NUT	4
17	CY-1A8160-34390	R1 WASHER	4
18	CY-1A8160-34350	R1 VALVE, R	1

FIG. 62. REAR WHEEL TIRE (TURF)



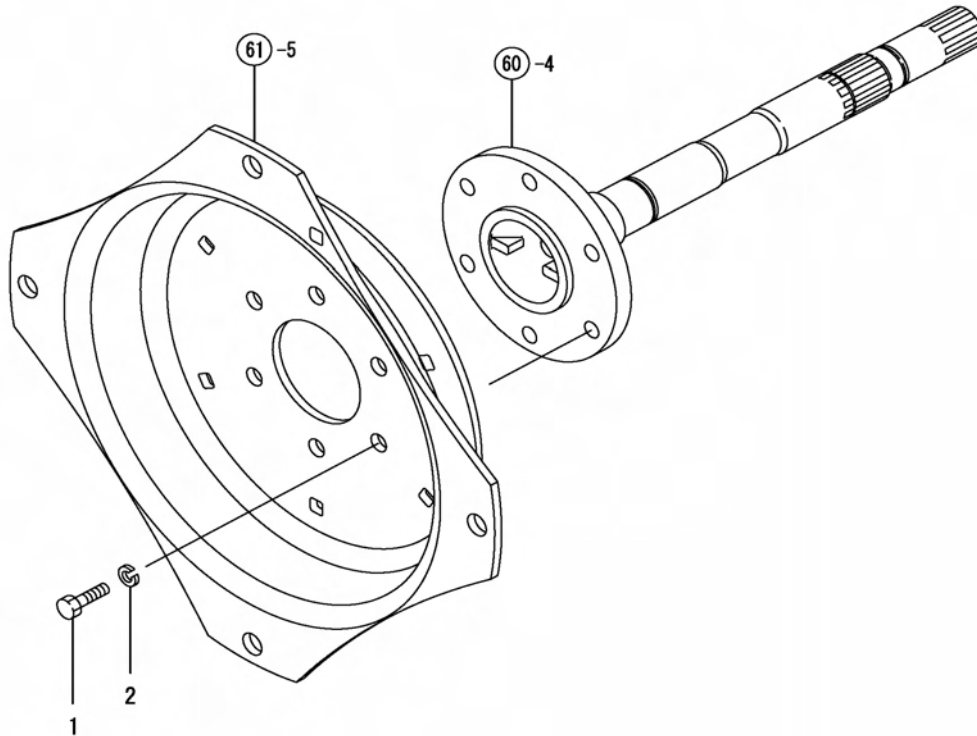
REF NO.	PART NUMBER	DESCRIPTION	QTY
1	CY-1A8160-34500	R3 TIRE KIT, WHEEL	2
2	CY-1A8160-34350	R1 VALVE, R	2
3	CY-1A8160-34510	R3 TIRE 13.6X16	2
4	CY-1A8160-34530	R3 WHEEL R	2

FIG. 63. REAR WHEEL TIRE



REF NO.	PART NUMBER	DESCRIPTION	QTY
1	CY-1A8160-34700	R4 TIRE KIT, WHEEL L	1
2	CY-1A8160-34710	TIRE 15X19.5	1
3	CY-1A8160-34730	R4 WHEEL R	1
4	CY-1A8160-34750	VALVE	1
5	CY-1A8160-34800	R4 TIRE KIT, WHEEL R	1
6	CY-1A8160-34710	TIRE 15X19.5	1
7	CY-1A8160-34730	R4 WHEEL R	1
8	CY-1A8160-34750	VALVE	1

FIG. 64. HUB BOLT (REAR)



REF NO.	PART NUMBER	DESCRIPTION	QTY
1	CY-194555-34180	BOLT 16X30	12
2	CY-194555-34190	SPRING WASHER 16	12

FIG. 65. HYDRAULIC PEDAL

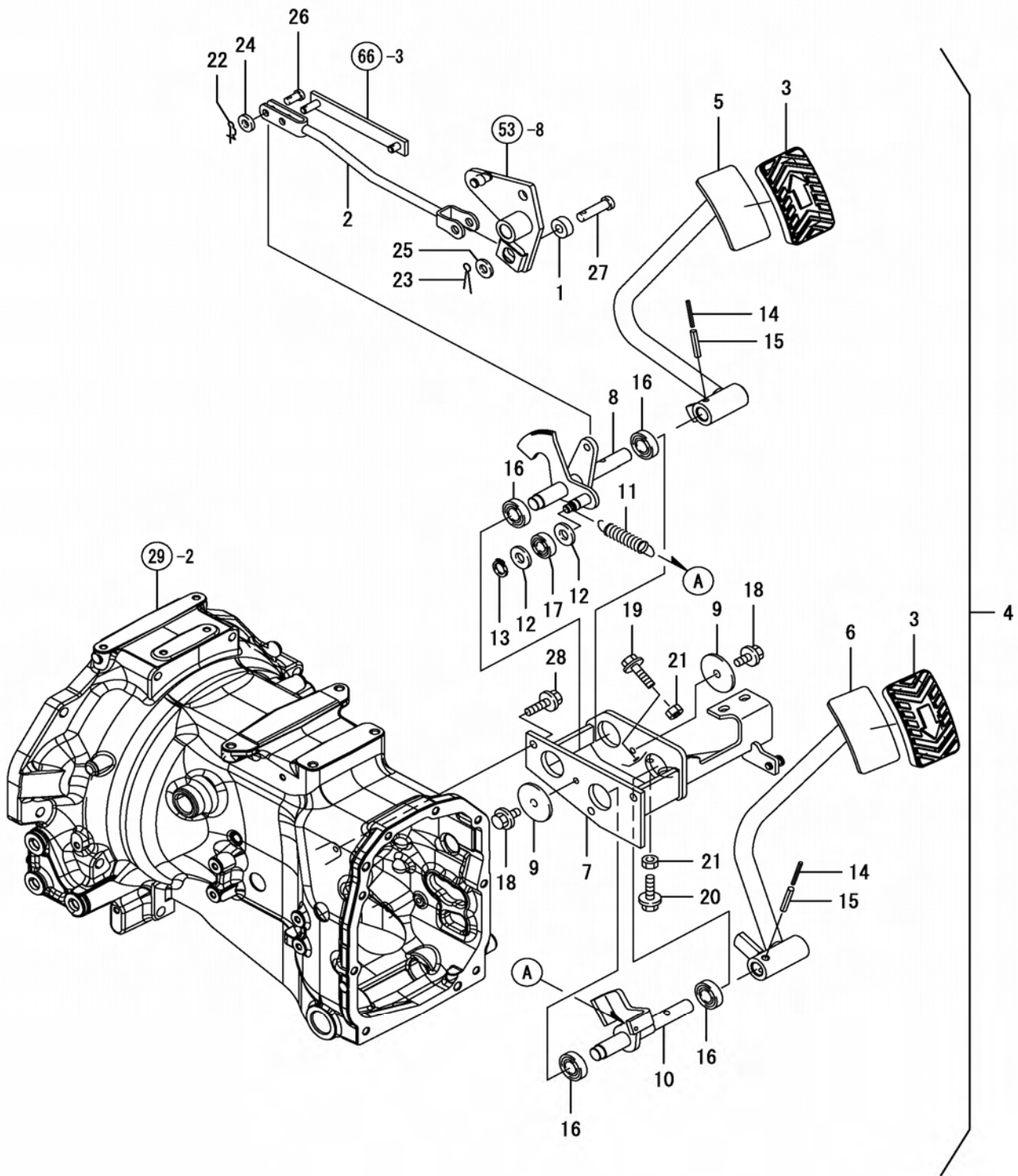
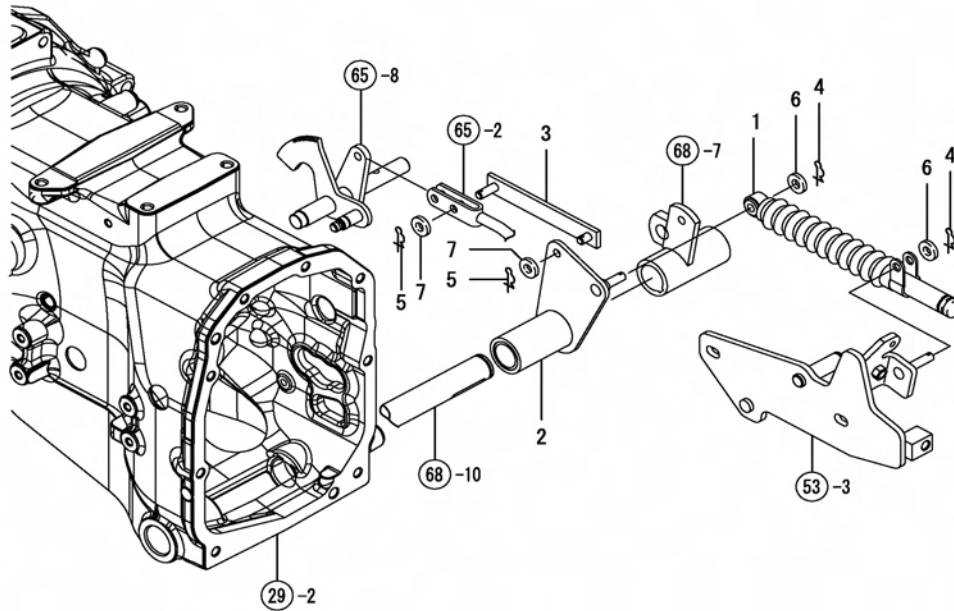


FIG. 65. HYDRAULIC PEDAL

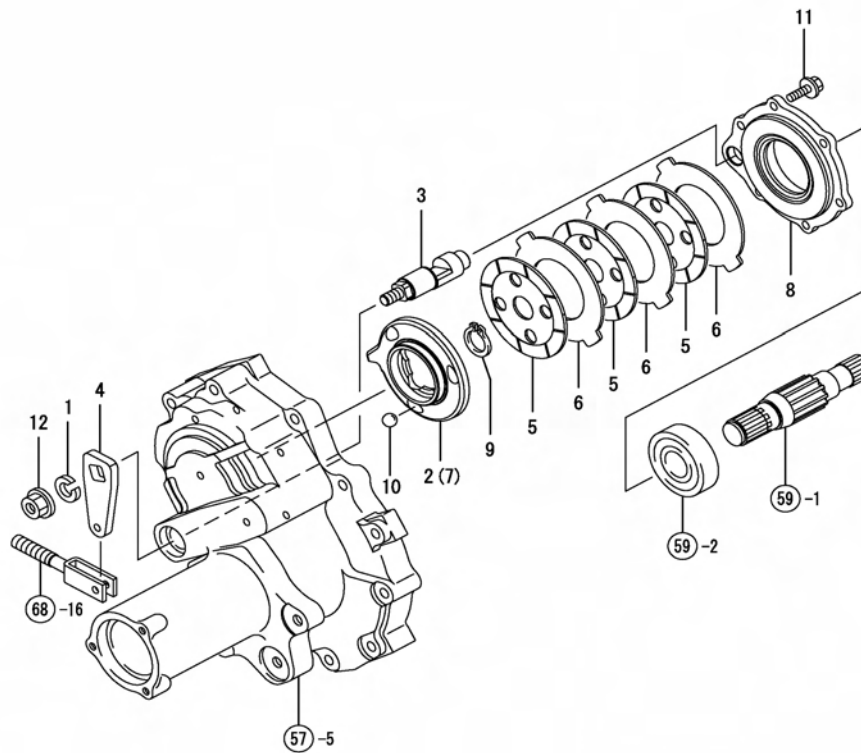
REF NO.	PART NUMBER	DESCRIPTION	QTY
1	CY-198129-27281	CAM ROLLER	1
2	CY-1A8160-29040	ROD, HYDRAULIC	1
3	CY-1A8160-35080	HEAD, PEDAL	2
4	CY-1A8160-35100	PEDAL, HST KIT INCLUDES REF. NO. 5 THROUGH 21.	1
5	CY-1A8160-35110	HST PEDAL, F CMP	1
6	CY-1A8160-35210	HST PEDAL, R CMP	1
7	CY-1A8160-35240	BRACKET ASSY, HST PED	1
8	CY-1A8160-35310	F PEDAL SHAFT CMP	1
9	CY-198167-35311	PLATE, KEEP	2
10	CY-1A8160-35360	R PEDAL SHAFT CMP	1
11	CY-198167-35411	SPRING, REVERSE PEDAL	1
12	CY-22137-120000	WASHER 12, POLISHED	2
13	CY-22242-000120	CIRCLIP 12	1
14	CY-22351-035036	SPRING PIN 3.5X36	2
15	CY-22351-060036	SPRING PIN 6X36	2
16	CY-24104-060024	BALL BEARING 6002UU	4
17	CY-24104-062014	BALL BEARING 6201UU	1
18	CY-26106-080122	BOLT M 8X 12 PLATED	2
19	CY-26106-080202	BOLT M 8X 20 PLATED	1
20	CY-26106-080252	BOLT M 8X 25 PLATED	1
21	CY-26716-080002	NUT M 8	2
22	CY-1C6281-52320	PIN 8, SNAP	1
23	CY-22417-200300	COTTER PIN 2.0X30	1
24	CY-22137-080000	WASHER 8, POLISHED	1
25	CY-22137-100000	WASHER 10, POLISHED	1
26	CY-22487-080160	PIN 8X 16	1
27	CY-22487-100280	PIN, 10 X 28	1
28	CY-26106-080202	BOLT M 8X 20 PLATED	3

FIG. 66. SHOCK ABSORBER



REF NO.	PART NUMBER	DESCRIPTION	QTY
1	CY-192154-29610	SHOCK ABSORBER	1
2	CY-1A8160-35300	CRANK, DAMPER CMP	1
3	CY-1A8160-35450	BAR, DAMPER	1
4	CY-1C6281-52320	PIN 8, SNAP	2
5	CY-1C6281-52320	PIN 8, SNAP	2
6	CY-22137-080000	WASHER 8, POLISHED	2
7	CY-22137-080000	WASHER 8, POLISHED	2

FIG. 67. BRAKE



REF NO.	PART NUMBER	DESCRIPTION	QTY
1	CY-194274-13580	SPRING WASHER 12	2
2	CY-198200-36310	ACTUATOR, L.H.	1
3	CY-198200-36341	SHAFT, CAM	2
4	CY-198200-36350	ARM, BRAKE	2
5	CY-198200-36380	PLATE, FRICTION	6
6	CY-198200-36390	PLATE	6
7	CY-198200-36410	ACTUATOR, R.H.	1
8	CY-198200-36421	HOLDER, BEARING	2
9	CY-22242-000260	CIRCLIP 26	2
10	CY-24190-170001	BALL 17/32	6
11	CY-26106-080252	BOLT M 8X 25 PLATED	12
12	CY-26376-120002	U-NUT M12	2

FIG. 68. BRAKE PEDAL

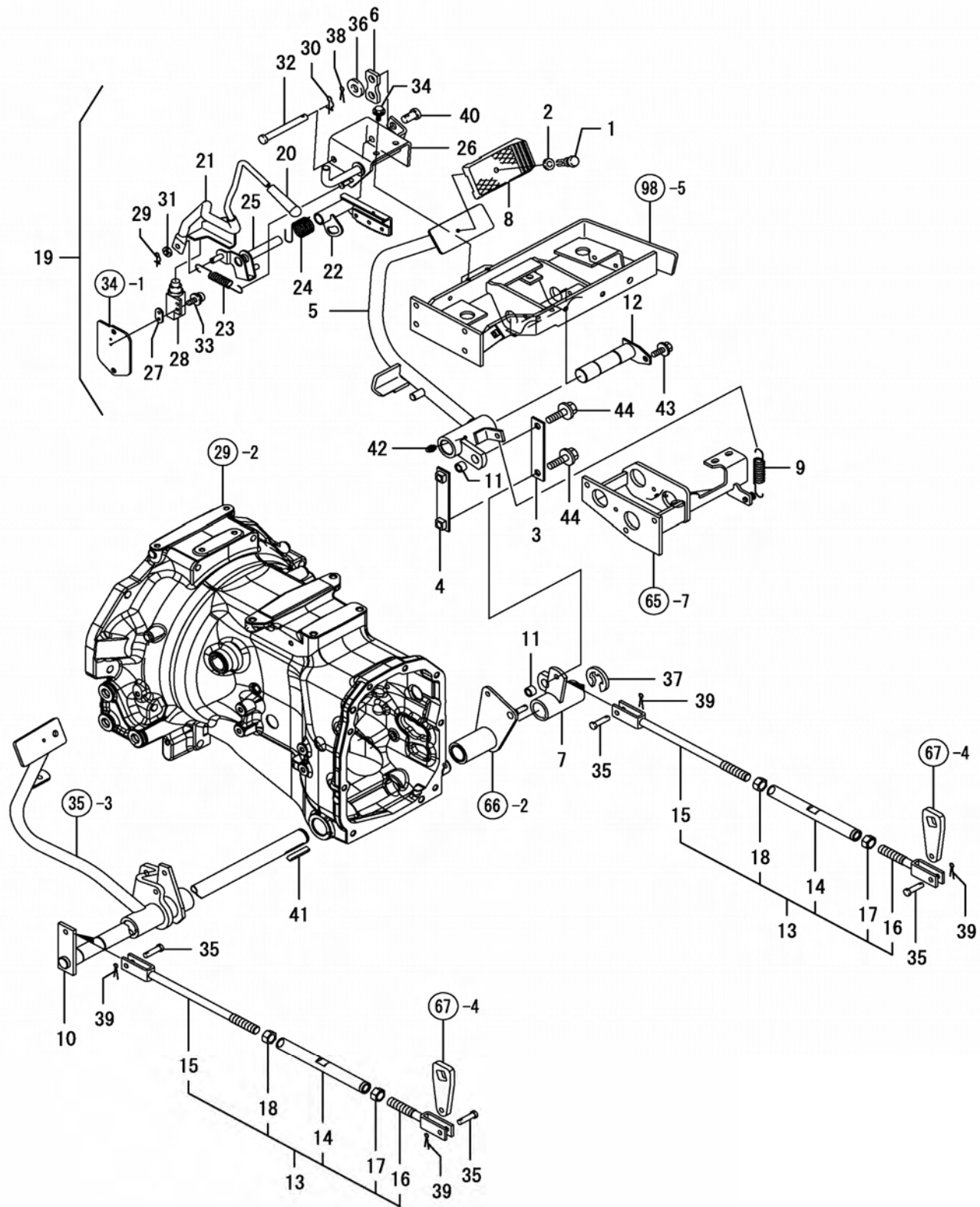


FIG. 68. BRAKE PEDAL

REF NO.	PART NUMBER	DESCRIPTION	QTY
1	CY-198133-22510	RIVET, PEDAL HEAD	1
2	CY-198133-22530	WASHER, RIVET	1
3	CY-1A8160-37360	PLATE, BRAKE	1
4	CY-1A8160-37400	LINKAGE, BRAKE	1
5	CY-1A8160-37420	BRAKE PEDAL	1
6	CY-1A8160-37490	PLATE, CRUISE RELEASE	1
7	CY-1A8160-37500	CRANK, BRAKE	1
8	CY-198071-37510	COVER, PEDAL HEAD	1
9	CY-198290-37510	SPRING, RETURN	1
10	CY-1A8160-37550	SHAFT, BRAKE PEDAL	1
11	CY-1A8160-37580	COLLAR, 15X10X10	2
12	CY-1A8160-37600	SHAFT, BRAKE	1
13	CY-1A8160-37730	ROD, BRAKE CMP	2
14	CY-198220-37730	TURNBUCKLE, BRAKE	2
15	CY-1A8160-37740	ROD, BRAKE R	2
16	CY-198220-37770	ROD, BRAKE LH SCREW	2
17	CY-198220-37790	NUT 14	2
18	CY-26716-140002	NUT M14	2
19	CY-1A8160-37810	PARKING-BRAKE KIT	1
20	CY-198253-37610	KNOB, PARKING	1
21	CY-1A8160-37621	ROD, PARKING CMP	1
22	CY-1A8160-37660	LOCK LEVER, BRAKE	1
23	CY-198220-37700	SPRING	1
24	CY-198220-37720	SPRING	1
25	CY-1A8160-37850	LEVER, B PARKING	1
26	CY-1A8160-37950	SUPPORT, P BRAKE CMP	1
27	CY-1A7510-52120	WASHER, SWITCH	1
28	CY-1A7335-52150	STOP LAMP SW, DELTA	1
29	CY-1C6281-52320	PIN 8, SNAP	1
30	CY-1C6360-65700	SNAP PIN 10	1
31	CY-22137-080000	WASHER 8, POLISHED	1
32	CY-22487-100900	PIN 10X 90	1
33	CY-26023-040162	SCREW M 4X 16	2
34	CY-26106-080162	BOLT M 8X 16 PLATED	2
35	CY-198220-37900	PIN 8X24	4
36	CY-22137-120000	WASHER 12, POLISHED	1
37	CY-22272-000190	CIRCLIP E-19	1
38	CY-22417-250300	COTTER PIN 2.5X30	1
39	CY-22417-250300	COTTER PIN 2.5X30	4
40	CY-198165-36190	PIN, FLAT HEAD 12X16	1
41	CY-22512-070400	KEY 7X 40	1
42	CY-24761-010000	NIPPLE M6F, GREASE	1
43	CY-26106-080162	BOLT M 8X 16 PLATED	1
44	CY-26106-100252	BOLT M10X 25 PLATED	2

FIG. 69. HYDRAULIC CYLINDER CASE

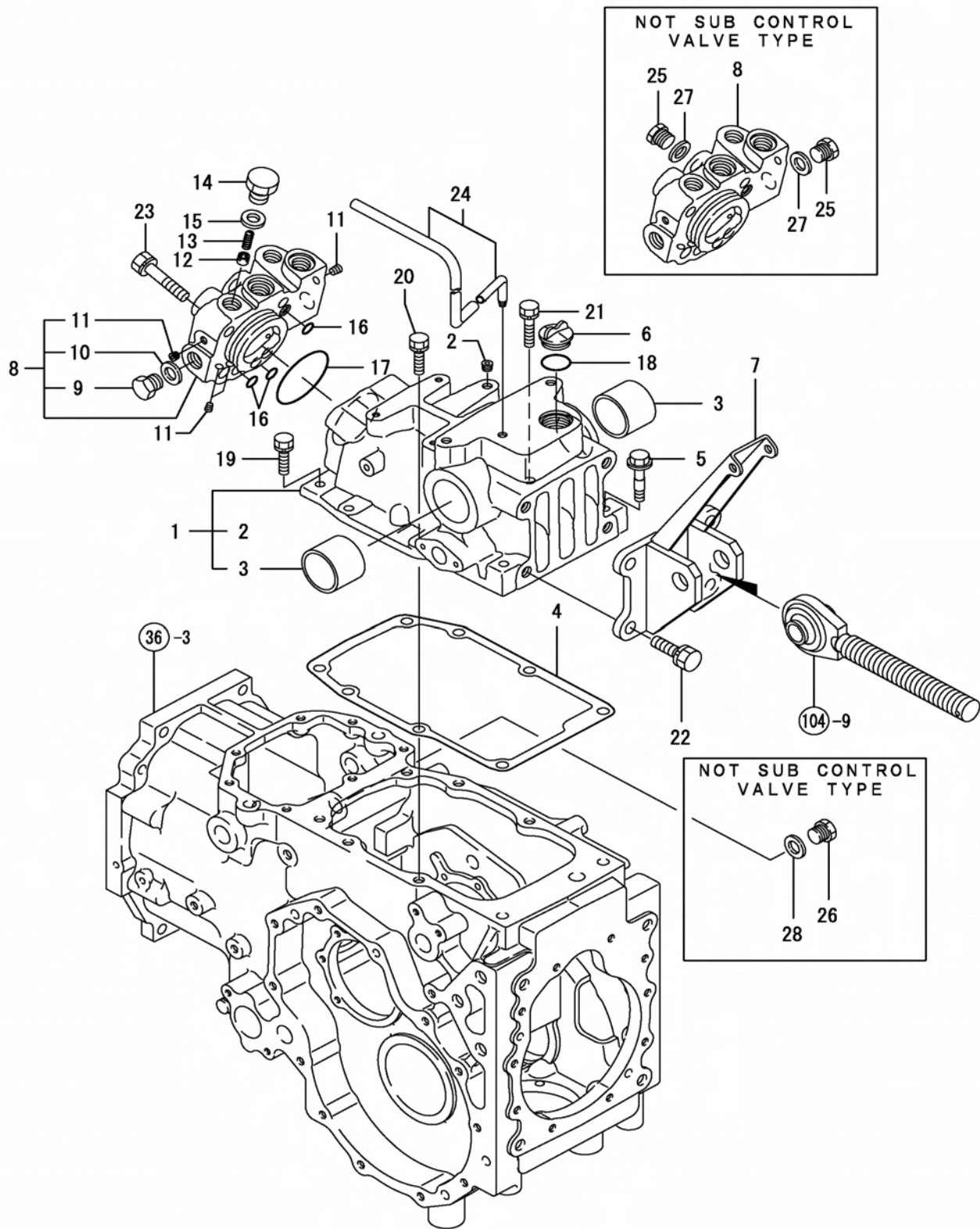
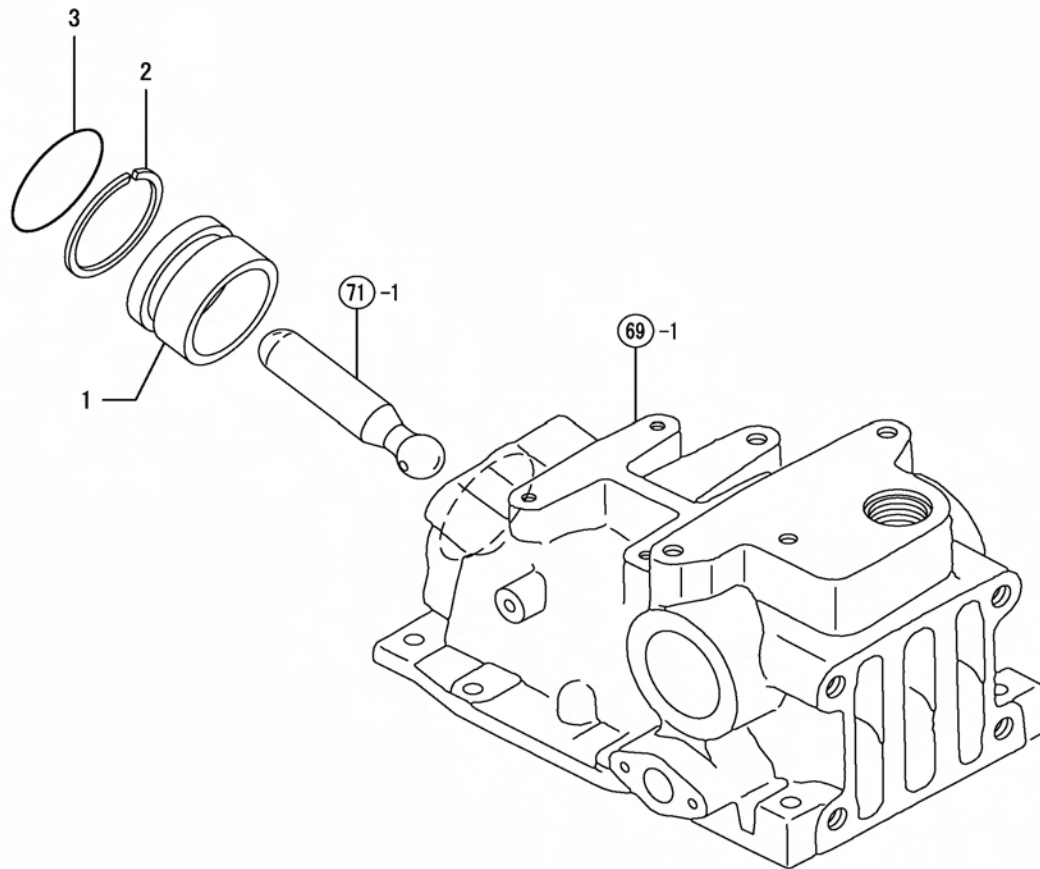


FIG. 69. HYDRAULIC CYLINDER CASE

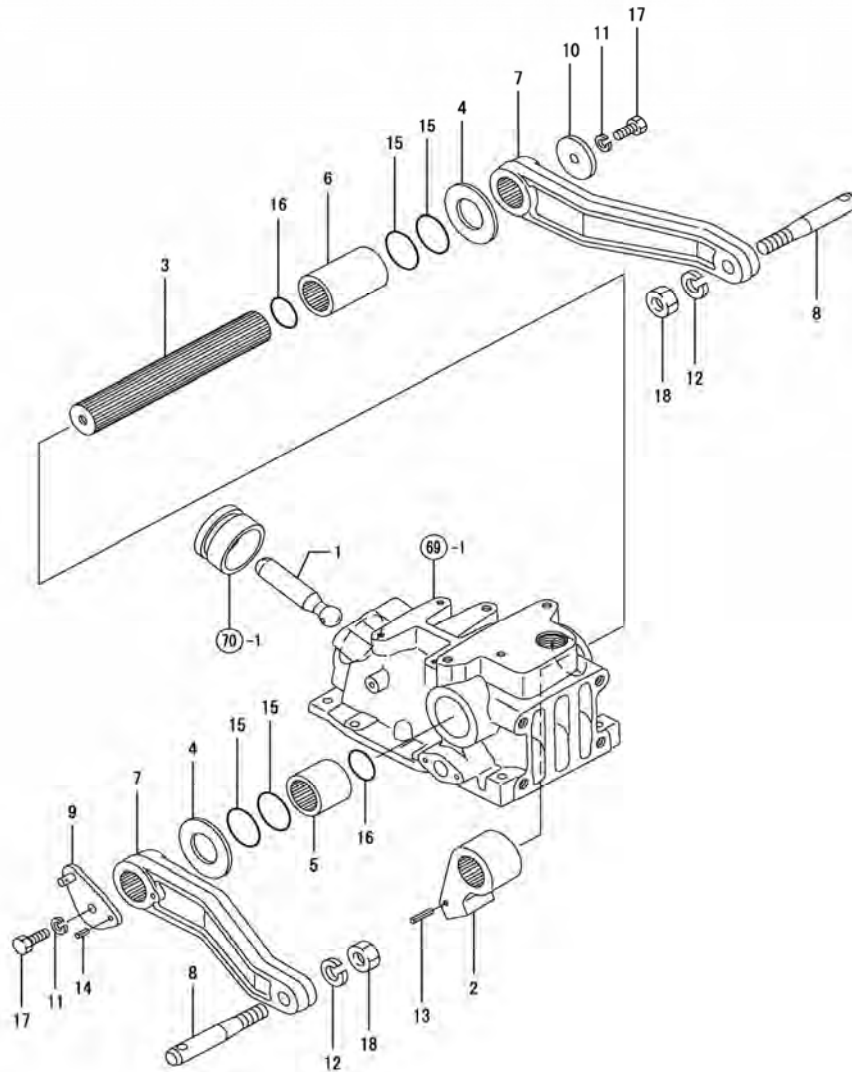
REF NO.	PART NUMBER	DESCRIPTION	QTY
1	CY-198220-42101	HOUSING, HYDRAULIC	1
2	CY-23876-010000	PLUG PT1/8,SCREW	1
3	CY-24550-045300	BUSH	2
4	CY-1A8160-42150	PACKING	1
5	CY-1A8160-42190	BOLT 10X50,REAMER	2
6	CY-194850-42500	CAP, OIL 33	1
7	CY-1A7335-42810	TOP LINK HINGE	1
8	CY-198223-43200	HEAD, CYLINDER ASSY	1
9	CY-198220-45920	PLUG 3/4-16UNF	1
10	CY-23414-190000	PACKING -19	1
11	CY-23876-010000	PLUG PT1/8,SCREW	5
12	CY-194310-46350	POPPET, CHECK	1
13	CY-194310-46380	SPRING	1
14	CY-194310-46730	PLUG 14	1
15	CY-23414-140018	GASKET 14	1
16	CY-24315-000110	O-RING 1B P-11.0	3
17	CY-24325-000600	O-RING 1B G-60.0	1
18	CY-24351-020300	O-RING 1A 2030	1
19	CY-26013-100302	BOLT M10X 30	2
20	CY-26013-100352	BOLT M10X 35	1
21	CY-26013-100452	BOLT M10X 45	1
22	CY-26013-120302	BOLT W/WASHER M12X30	4
23	CY-26013-120502	BOLT M12X 50	4
24	CY-198223-42270	BREATHER KIT	1
25	CY-198220-45920	PLUG 3/4-16UNF (NOT FOR SUB CONTROL VALVE TYPE)	2
26	CY-198220-45920	PLUG 3/4-16UNF (NOT FOR SUB CONTROL VALVE TYPE)	1
27	CY-23414-190000	PACKING -19 (NOT FOR SUB CONTROL VALVE TYPE)	2
28	CY-23414-190000	PACKING -19 (NOT FOR SUB CONTROL VALVE TYPE)	1

FIG. 70. PISTON



REF NO.	PART NUMBER	DESCRIPTION	QTY
1	CY-194193-43310	PISTON, HYDRAULIC	1
2	CY-194150-43350	RING P55, BACK UP	1
3	CY-24311-000550	O-RING 1A P-55.0	1

FIG. 71. LIFT CRANK



REF NO.	PART NUMBER	DESCRIPTION	QTY
1	CY-194197-43410	ROD, PISTON	1
2	CY-194440-44112	CRANK, LIFT	1
3	CY-194195-44210	SHAFT, LIFT	1
4	CY-194195-44230	SLEEVE	2
5	CY-194195-44250	SLEEVE, LIFT SHAFT	1
6	CY-194195-44260	SLEEVE, LIFT SHAFT	1
7	CY-194195-44411	ARM, ROCKSHAFT	2
8	CY-194130-44480	PIN, LIFT ARM	2
9	CY-198220-44510	PLATE, FEED BACK	1
10	CY-194197-44610	WASHER (43)	1
11	CY-22217-100000	SPRING WASHER 10	2
12	CY-22217-160000	SPRING WASHER 16	2
13	CY-22351-050040	SPRING PIN 5X40	1
14	CY-22351-060016	SPRING PIN 6X16	1
15	CY-24321-000450	O-RING 1A G-45.0	4
16	CY-24341-000360	O-RING 1A S-36.0	2
17	CY-26116-100202	BOLT M10X 20 PLATED	2
18	CY-26736-160002	NUT M16	2

FIG. 72. CONTROL VALVE

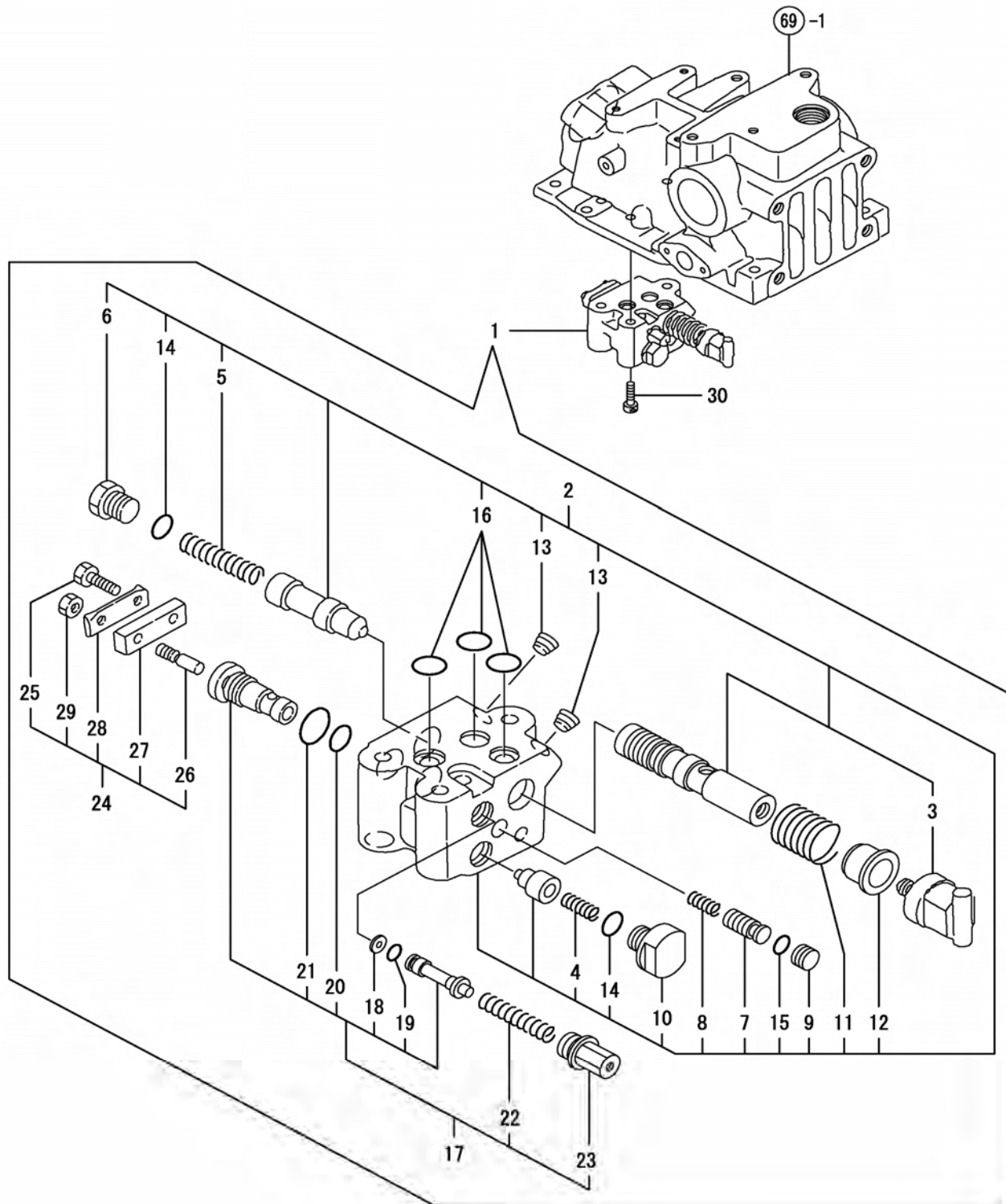
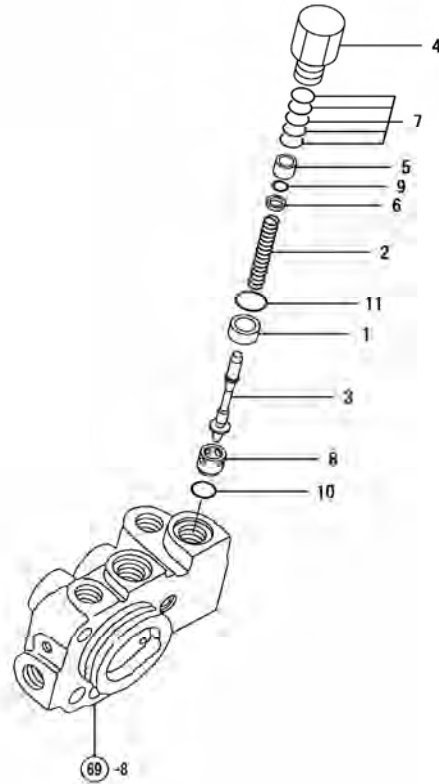


FIG. 72. CONTROL VALVE

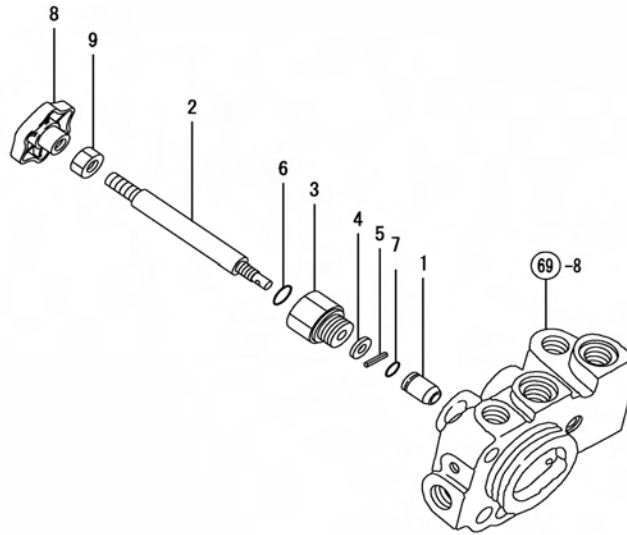
REF NO.	PART NUMBER	DESCRIPTION	QTY
1	CY-178071-01010	VALVE, ROCKSHAFT COMP	1
2	CY-178071-01210	CASE, VALVE COMP.	1
3	CY-178071-01270	PIN, SPOOL	1
4	CY-194170-45230	SPRING	1
5	CY-194170-45321	SPRING	1
6	CY-194170-45330	PLUG	1
7	CY-194170-45350	SPOOL	1
8	CY-194170-45360	SPRING	1
9	CY-194170-45370	PLUG	1
10	CY-194170-45440	PLUG	1
11	CY-194850-45530	SPRING	1
12	CY-194850-45560	HOLDER	1
13	CY-23871-010000	PLUG PT1/8,SCREW	1
14	CY-24311-000120	O-RING 1A P 12.0	2
15	CY-24315-000070	O-RING 1B P-7.0	1
16	CY-24315-000110	O-RING 1B P-11.0	3
17	CY-178071-01410	LOWERING, VALVE COMP	1
18	CY-194170-45430	RING, BACK UP	1
19	CY-24311-000050	O-RING 1A P-5.0	1
20	CY-24311-000100	O-RING 1A P-10.0	1
21	CY-24311-000140	O-RING 1A P-14.0	1
22	CY-194361-45230	SPRING	1
23	CY-194850-45241	HOLDER	1
24	CY-178071-01610	PIN, PUSHING COMP	1
25	CY-178076-40250	BOLT, 6 X 16	1
26	CY-168244-45220	BAR, PUSH	1
27	CY-194170-45550	BAR, SPOOL	1
28	CY-194170-45560	WASHER 12X40X0.6	1
29	CY-26756-060002	LOCK NUT 6	1
30	CY-26450-080202	BOLT M 8X 20	3

FIG. 73. RELIEF VALVE



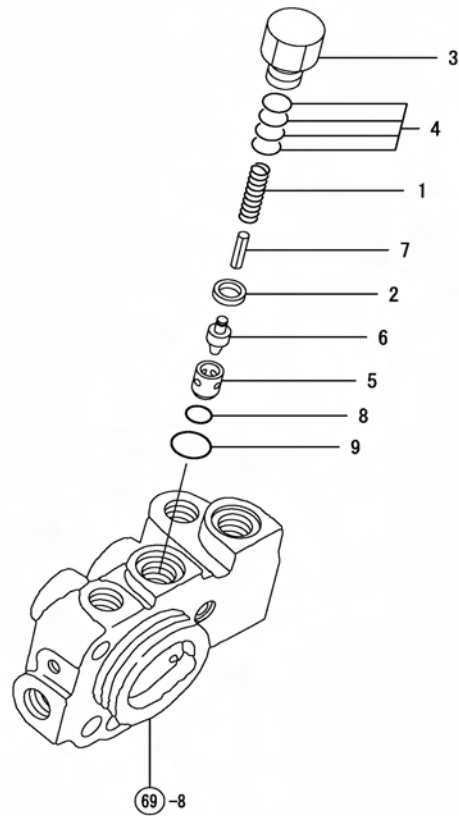
REF NO.	PART NUMBER	DESCRIPTION	QTY
1	CY-198220-45340	COLLAR, VALVE SEAT	1
2	CY-194170-45610	SPRING, RELIEF VALVE	1
3	CY-194195-45620	POPPET	1
4	CY-198220-45630	PLUG, RELIEF VALVE	1
5	CY-194195-45640	SEAT, SPRING	1
6	CY-194195-45650	WASHER	1
7	CY-194850-45700	SHIM PACK	1
8	CY-194195-46260	SEAT, RELIEF VALVE	1
9	CY-194850-49230	O-RING 6X1.8	1
10	CY-24311-000120	O-RING 1A P 12.0	1
11	CY-24311-000180	O-RING 1A P-18.0	1

FIG. 74. STOP VALVE



REF NO.	PART NUMBER	DESCRIPTION	QTY
1	CY-194550-46300	VALVE, STOP	1
2	CY-194640-46620	BOLT, STOP	1
3	CY-194312-46630	HOLDER, VALVE (43)	1
4	CY-22117-080000	WASHER 8	1
5	CY-22351-040010	SPRING PIN 4X10	1
6	CY-24311-000120	O-RING 1A P 12.0	1
7	CY-24315-000090	O-RING 1B P- 9.0	1
8	CY-1A8160-46670	KNOB, STOP VALVE	1
9	CY-26716-100002	NUT 10	1

FIG. 75. SAFETY VALVE



REF NO.	PART NUMBER	DESCRIPTION	QTY
1	CY-194150-45320	SPRING, RELIEF VALVE	1
2	CY-198220-45350	COLLAR	1
3	CY-198220-45370	PLUG, SAFETY VALVE	1
4	CY-198220-46400	SHIM PACK	1
5	CY-194640-46410	SEAT, SAFETY VALVE	1
6	CY-194640-46420	POPPET, SAFETY VALVE	1
7	CY-22351-060028	SPRING PIN 6X28	1
8	CY-24311-000120	O-RING 1A P 12.0	1
9	CY-24311-000180	O-RING 1A P-18.0	1

THIS PAGE INTENTIONALLY LEFT BLANK

FIG. 76. HYDRAULIC SUB CONTROL VALVE

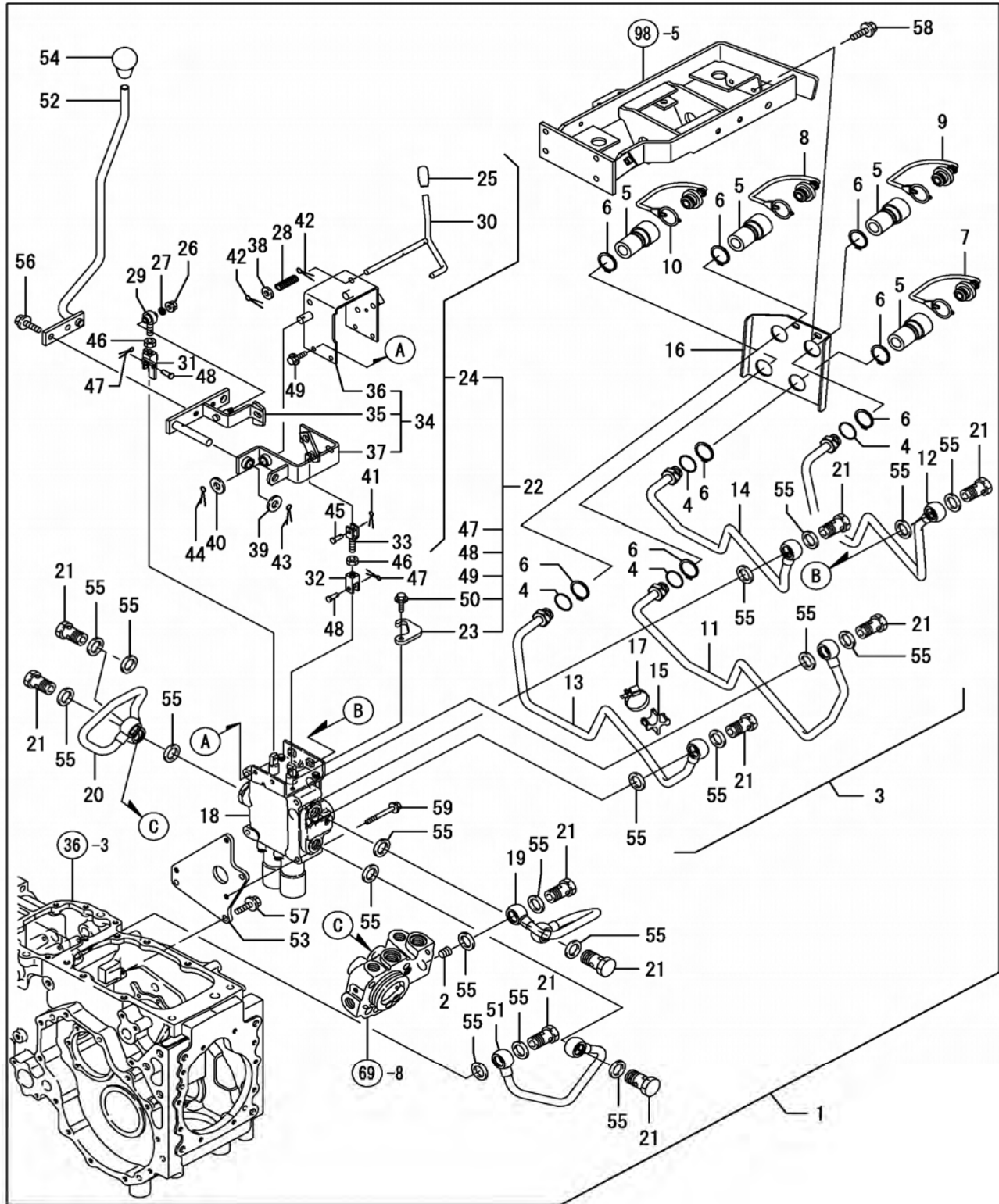


FIG. 76. HYDRAULIC SUB CONTROL VALVE

REF NO.	PART NUMBER	DESCRIPTION	QTY	REF NO.	PART NUMBER	DESCRIPTION	QTY
1	CY-1A8160-46700	SCV KIT	1	30	CY-198220-46710	STOPPER, SCV LEVER	1
2	CY-198245-42160	PLUG NPTF1/4	1	31	CY-198220-46910	CLEVIS ASSY	1
3	CY-1A8160-46410	SCV LINE ASSY	1	32	CY-198220-46920	CLEVIS	1
4	CY-194464-45930	O-RING 8-1	4	33	CY-198220-46970	CLEVIS	1
5	CY-1A8160-46250	COUPLER, QUICK 3/8F	4	34	CY-798220-46990	ARM ASSY, LINK	1
6	CY-198240-46260	SNAP RING	8	35	CY-198220-46300	ARM, BUCKET CONTROL	1
7	CY-1A8160-46280	PLUG, DUST RED	1	36	CY-198220-46860	SUPPORT, SCV LINK	2
8	CY-1A8160-46290	PLUG, DUST BLUE	1	37	CY-198220-46990	ARM ASSY, SCV LINK	1
9	CY-1A8160-46300	PLUG, DUST YELLOW	1	38	CY-22117-080000	WASHER 8	1
10	CY-1A8160-46310	PLUG, DUST GREEN	1	39	CY-22117-120000	WASHER 12	1
11	CY-1A8160-46420	HP PIPE (SCV-B1)	1	40	CY-22117-120000	WASHER 12	1
12	CY-1A8160-46440	HP PIPE (SCV-B2)	1	41	CY-22417-160180	COTTER PIN 1.6X18	1
13	CY-1A8160-46460	HP PIPE (SCV-A1)	1	42	CY-22417-250300	COTTER PIN 2.5X30	2
14	CY-1A8160-46480	HP PIPE (SCV-A2)	1	43	CY-22417-250300	COTTER PIN 2.5X30	1
15	CY-198220-46500	CLAMP	1	44	CY-22417-250300	COTTER PIN 2.5X30	1
16	CY-1A8160-46930	SUPPORT, SCV COUPLER	1	45	CY-22486-060160	PIN 6X 16	1
17	CY-23000-035000	CLAMP 35	1	46	CY-26716-080002	NUT M 8	2
18	CY-198220-46602	SCV ASSY	1	47	CY-22417-160180	COTTER PIN 1.6X18	2
19	CY-1A8160-46610	LINE, SCV PUMP	1	48	CY-22486-060160	PIN 6X 16	2
20	CY-1A8160-46630	LINE, SCV PBYD	1	49	CY-26106-060162	BOLT M 6X 16 PLATED	4
21	CY-198245-46680	BOLT 3/4-16	10	50	CY-26106-060162	BOLT M 6X 16 PLATED	1
22	CY-198220-46700	LINK KIT	1	51	CY-1A8160-46780	LINE, SCV DRAIN	1
23	CY-198220-46220	PLATE, STOPPER	1	52	CY-1A8160-46800	LEVER, SCV	1
24	CY-198234-46700	SCV LINK ASSY	1	53	CY-198220-46851	BRACKET, SVC	1
25	CY-194080-01121	KNOB	1	54	CY-194990-85561	KNOB	1
26	CY-194990-22130	NUT W/WASHER 6	1	55	CY-23414-190000	PACKING -19	20
27	CY-172516-22370	WASHER 6X10X2	1	56	CY-26106-080202	BOLT M 8X 20 PLATED	2
28	CY-198220-46200	SPRING	1	57	CY-26106-080202	BOLT M 8X 20 PLATED	3
29	CY-198220-46210	ROD, END	1	58	CY-26106-080122	BOLT M 8X 12 PLATED	2
				59	CY-26106-080552	BOLT M 8X 55 PLATED	3

FIG. 77. HYDRAULIC CONTROL

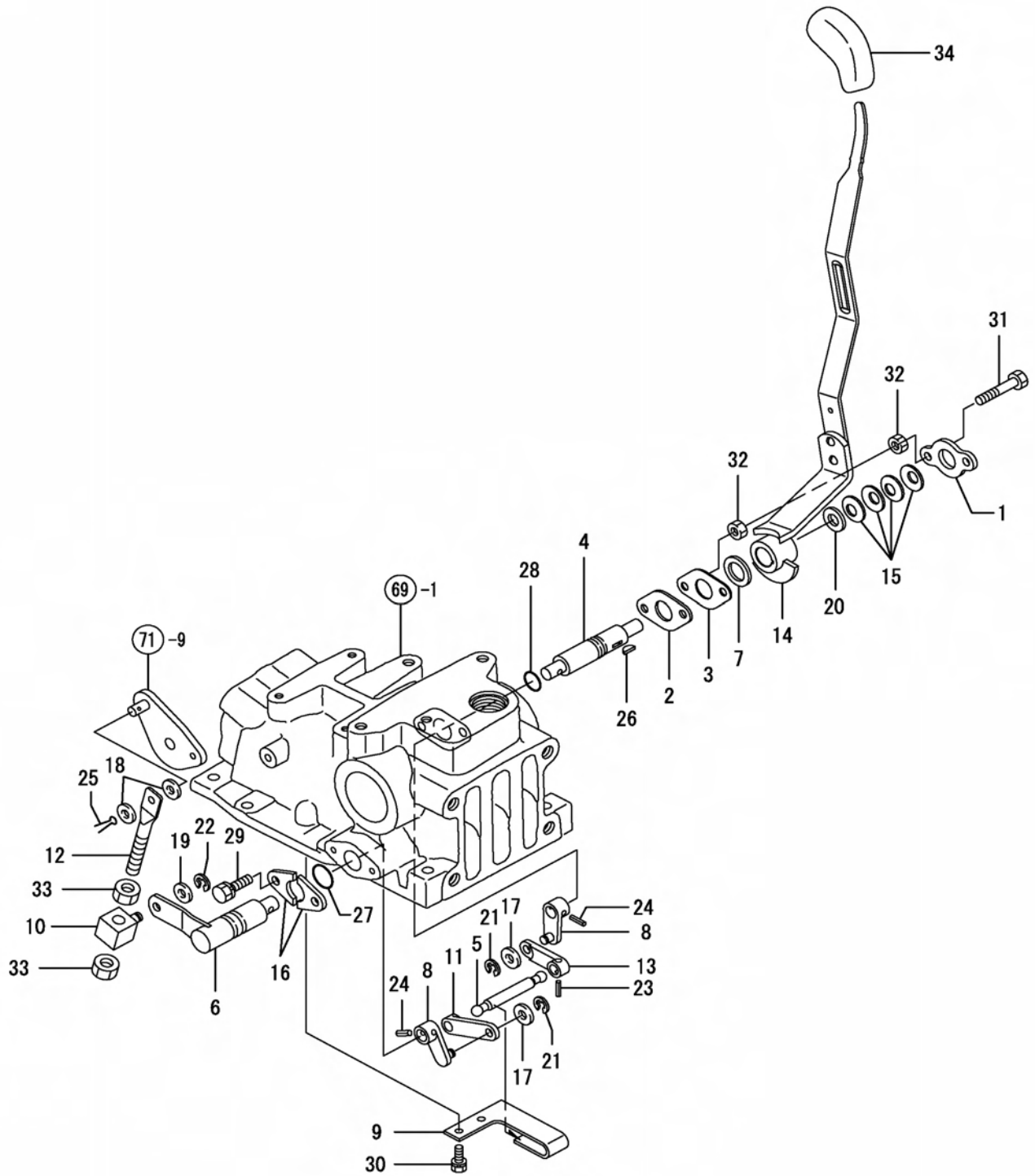
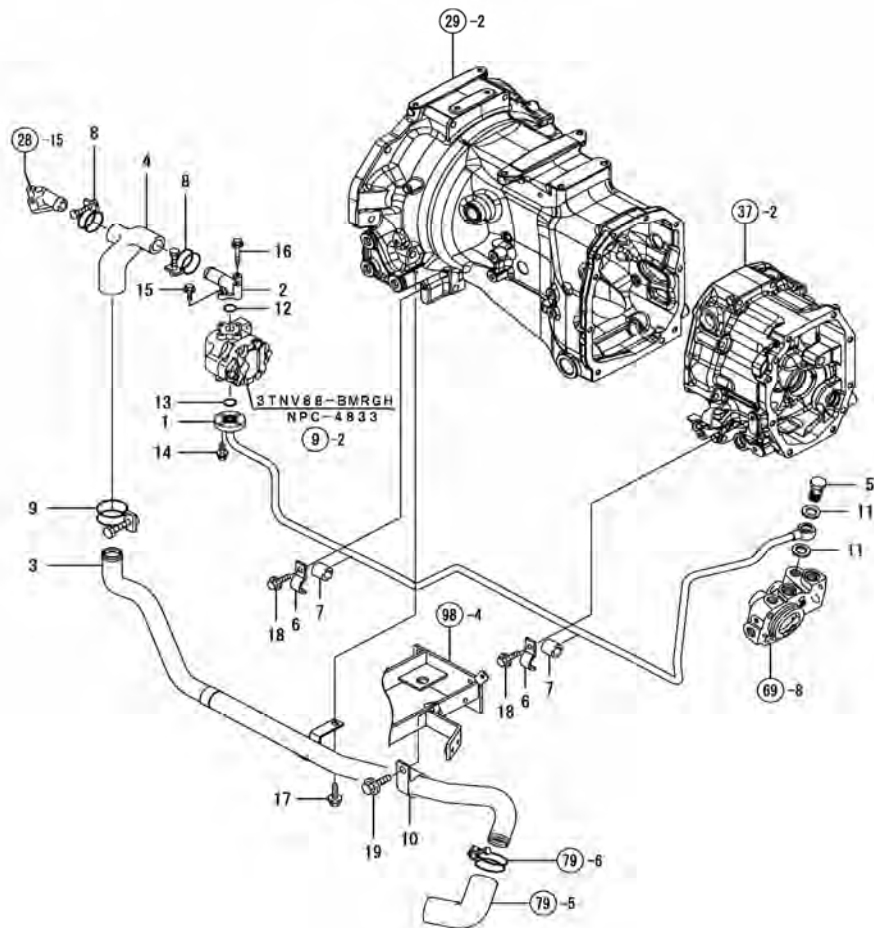


FIG. 77. HYDRAULIC CONTROL

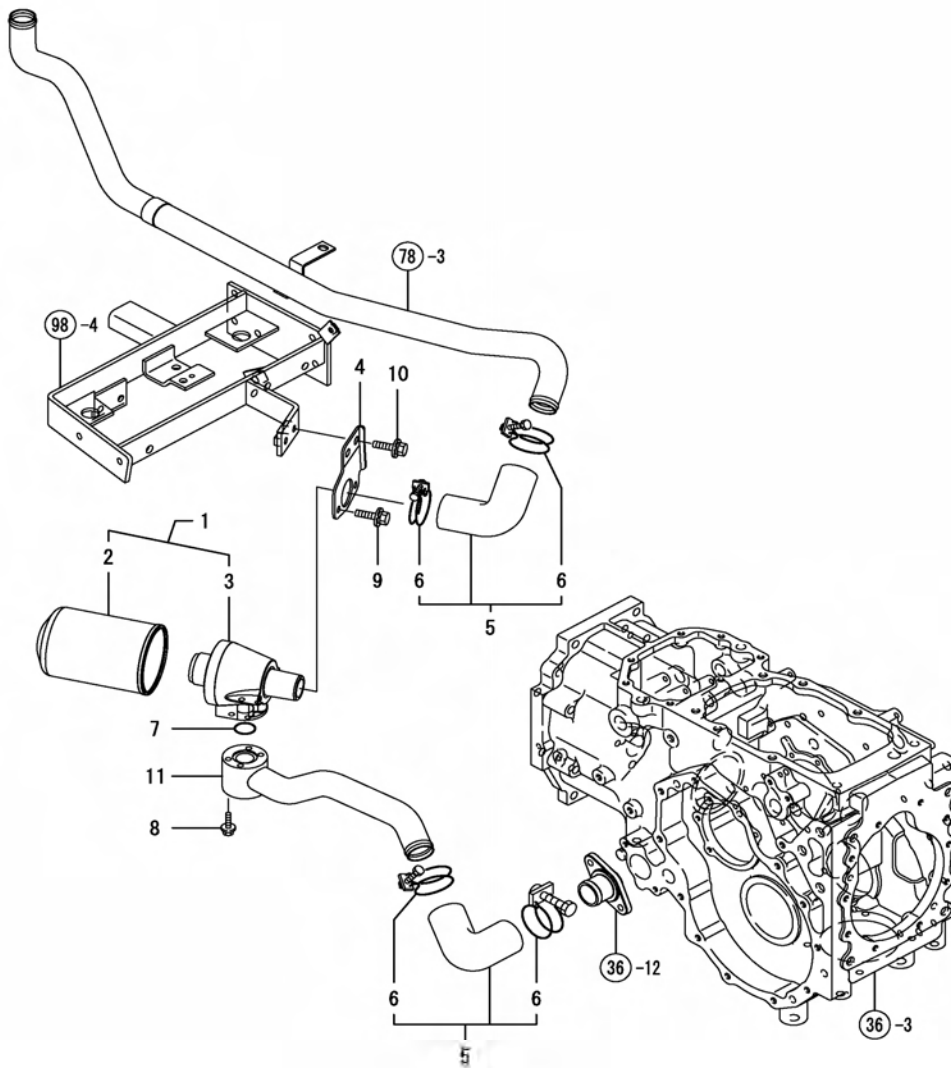
REF NO.	PART NUMBER	DESCRIPTION	QTY
1	CY-194170-47320	PLATE	1
2	CY-194555-47340	PLATE (A)	1
3	CY-194555-47350	PLATE	1
4	CY-198220-47380	SHAFT, CONTROL LEVER	1
5	CY-194208-47420	BAR, CONTROL	1
6	CY-198220-47430	SHAFT	1
7	CY-194170-47440	PLATE, FRICTION	1
8	CY-194208-47440	LEVER, FEED BACK	2
9	CY-198220-47490	GUIDE	1
10	CY-194550-47530	ADJUSTER	1
11	CY-194208-47550	BAR	1
12	CY-198220-47560	ROD, FEED BACK	1
13	CY-198220-47570	BAR	1
14	CY-1A8160-47610	LEVER, LIFT ARM	1
15	CY-194151-47760	WASHER 12	4
16	CY-194208-47860	HOLDER	2
17	CY-22117-080000	WASHER 8	2
18	CY-22137-100000	WASHER 10,POLISHED	2
19	CY-22137-100000	WASHER 10,POLISHED	1
20	CY-22137-120000	WASHER 12,POLISHED	1
21	CY-22272-000060	CIRCLIP E- 6	2
22	CY-22272-000070	CIRCLIP E- 7	1
23	CY-22351-040016	SPRING PIN 4X16	1
24	CY-22351-050020	SPRING PIN 5X20	2
25	CY-22417-300200	COTTER PIN 3.0X20	1
26	CY-22522-030130	WOODRUFF KEY 3X13	1
27	CY-24311-000150	O-RING 1A P-15.0	1
28	CY-24311-000150	O-RING 1A P-15.0	1
29	CY-26013-080162	BOLT W/WASHER M8X16	2
30	CY-26013-080162	BOLT W/WASHER M8X16	2
31	CY-26116-080554	BOLT 8*55	2
32	CY-26716-080002	NUT M 8	4
33	CY-26716-100002	NUT 10	2
34	CY-198220-47370	KNOB	1

FIG. 78. HYDRAULIC PIPING



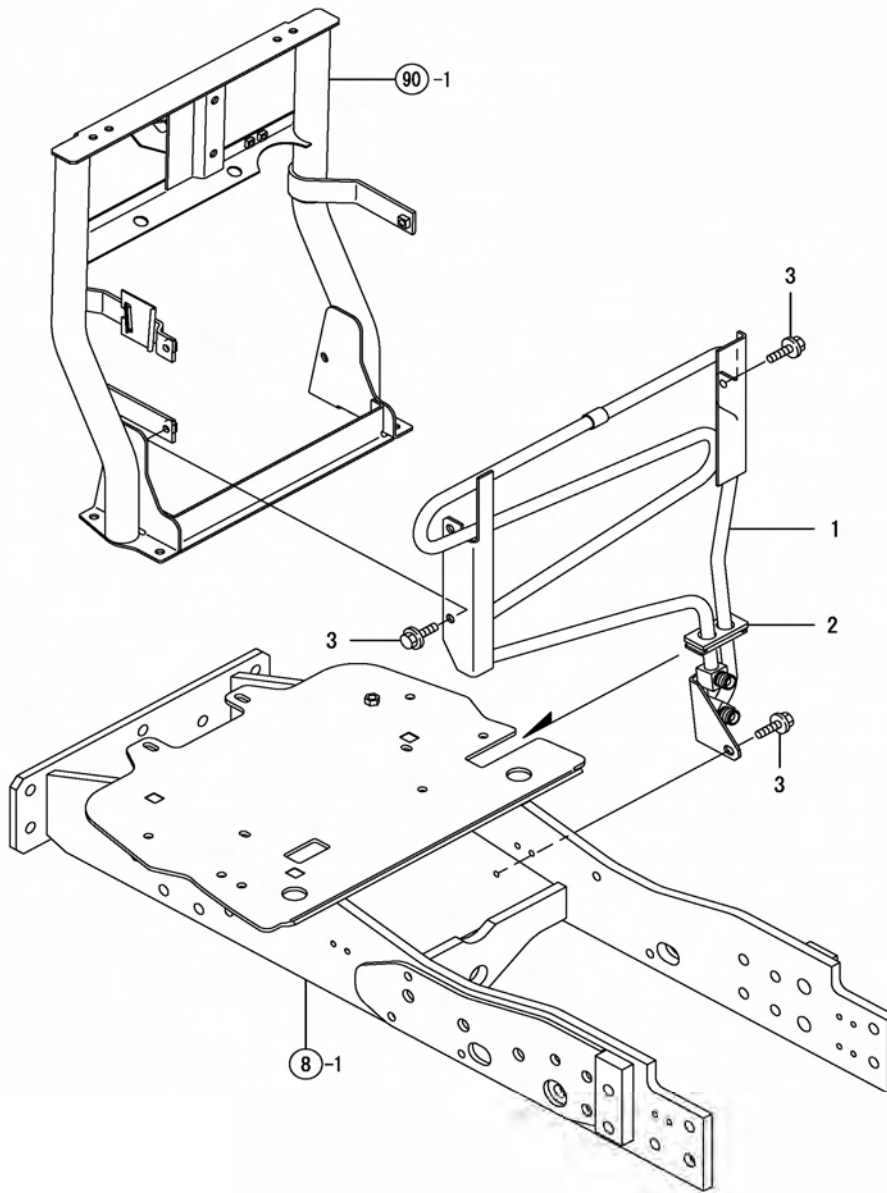
REF NO.	PART NUMBER	DESCRIPTION	QTY
1	CY-1A8160-48100	LINE, HIGH PRESSURE	1
2	CY-198220-48140	FLANGE	1
3	CY-1A8160-48160	PIPE, SUCTION	1
4	CY-198230-48220	HOSE, SUCTION	1
5	CY-198220-48750	CONNECTOR ASSY	1
6	CY-194450-48830	CLAMP	2
7	CY-194464-48850	RUBBER	2
8	CY-23010-035000	CLAMP 35	2
9	CY-23010-044000	CLAMP 44	1
10	CY-23297-350121	RETAINER	1
11	CY-23414-180023	GASKET 18	2
12	CY-24311-000200	O-RING 1A P-20.0	1
13	CY-24311-000200	O-RING 1A P-20.0	1
14	CY-26018-060252	BOLT M 6X 25	4
15	CY-26106-060202	BOLT M 6X 20 PLATED	1
16	CY-26106-060402	BOLT M 6X 40 PLATED	2
17	CY-26106-080162	BOLT M 8X 16 PLATED	1
18	CY-26106-080162	BOLT M 8X 16 PLATED	2
19	CY-26106-100202	BOLT M10X 20 PLATED	1

FIG. 79. OIL FILTER



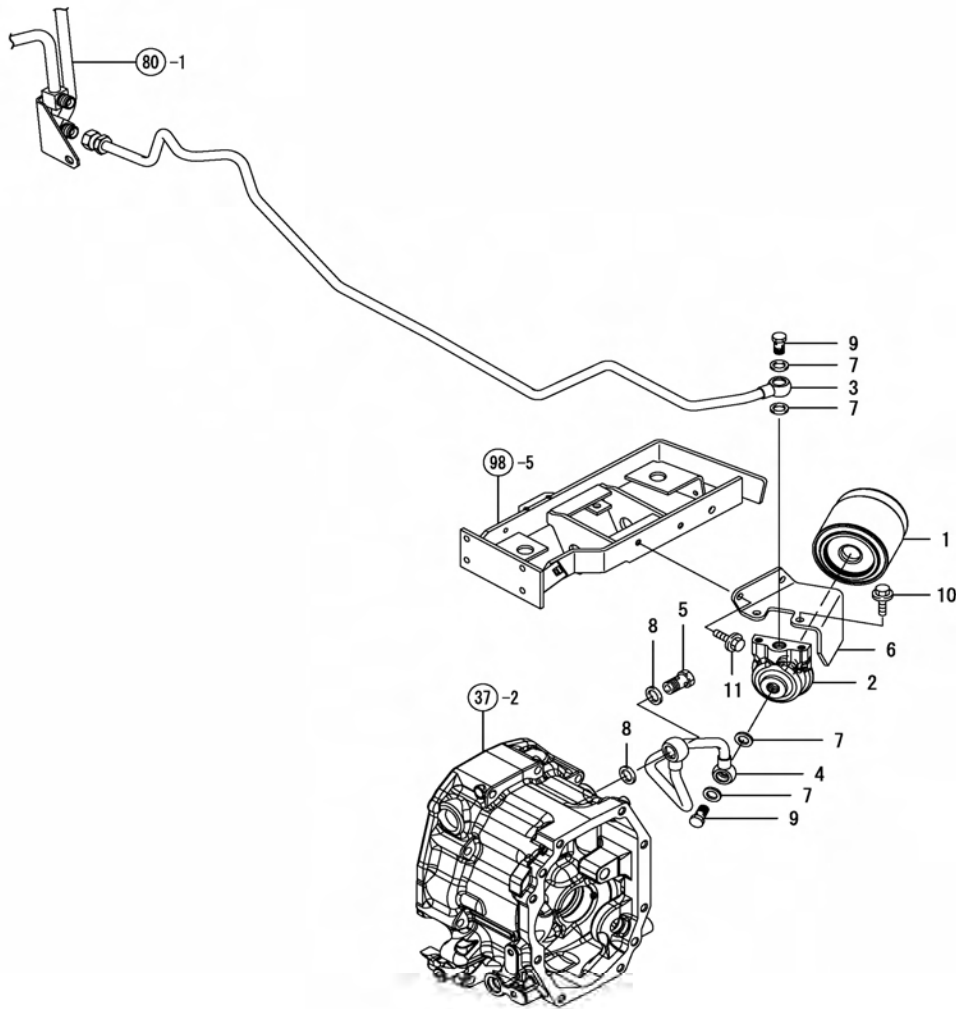
REF NO.	PART NUMBER	DESCRIPTION	QTY
1	CY-1A8160-48400	OIL FILTER ASSY	1
2	CY-198119-48310	ELEMENT	1
3	CY-194555-48350	FILTER ASSY, BLOCK	1
4	CY-198220-48420	BRACKET, FILTER	1
5	CY-198240-48500	HOSE ASSY, SUCTION	2
6	CY-23010-048000	CLAMP 48	4
7	CY-24321-000250	O-RING 1A G-25.0	1
8	CY-26106-060602	BOLT M 6X 60 PLATED	4
9	CY-26106-080162	BOLT M 8X 16 PLATED	2
10	CY-26106-080202	BOLT M 8X 20 PLATED	2
11	CY-1A8160-48310	PIPE, FILTER	1

FIG. 80. OIL COOLER



REF NO.	PART NUMBER	DESCRIPTION	QTY
1	CY-1A8160-49100	OIL COOLER ASSY	1
2	CY-1A8160-51710	GROMMET	1
3	CY-26106-080162	BOLT M 8X 16 PLATED	4

FIG. 81. HYDROSTATIC (HST) LINES & FILTER



REF NO.	PART NUMBER	DESCRIPTION	QTY
1	CY-1A8160-24950	OIL FILTER	1
2	CY-1A8160-48300	COVER, FILTER	1
3	CY-1A8160-48610	LINE ASSY, FILTER	1
4	CY-1A8160-48650	LINE ASSY, FILTER-HST - S/N F000155 & BELOW	1
4	CY-1A8160-48651	LINE ASSY, FILTER-HST - S/N F000156 & ABOVE	1
5	CY-198220-48750	CONNECTOR ASSY	1
6	CY-1A8160-62480	BRACKET, FILTER	1
7	CY-23414-160021	GASKET 16	4
8	CY-23414-180023	GASKET 18	2
9	CY-23857-100000	JOINT BOLT 10	2
10	CY-26106-080162	BOLT M 8X 16 PLATED	2
11	CY-26106-080122	BOLT M 8X 12 PLATED	2

FIG. 82. WIRE HARNESS

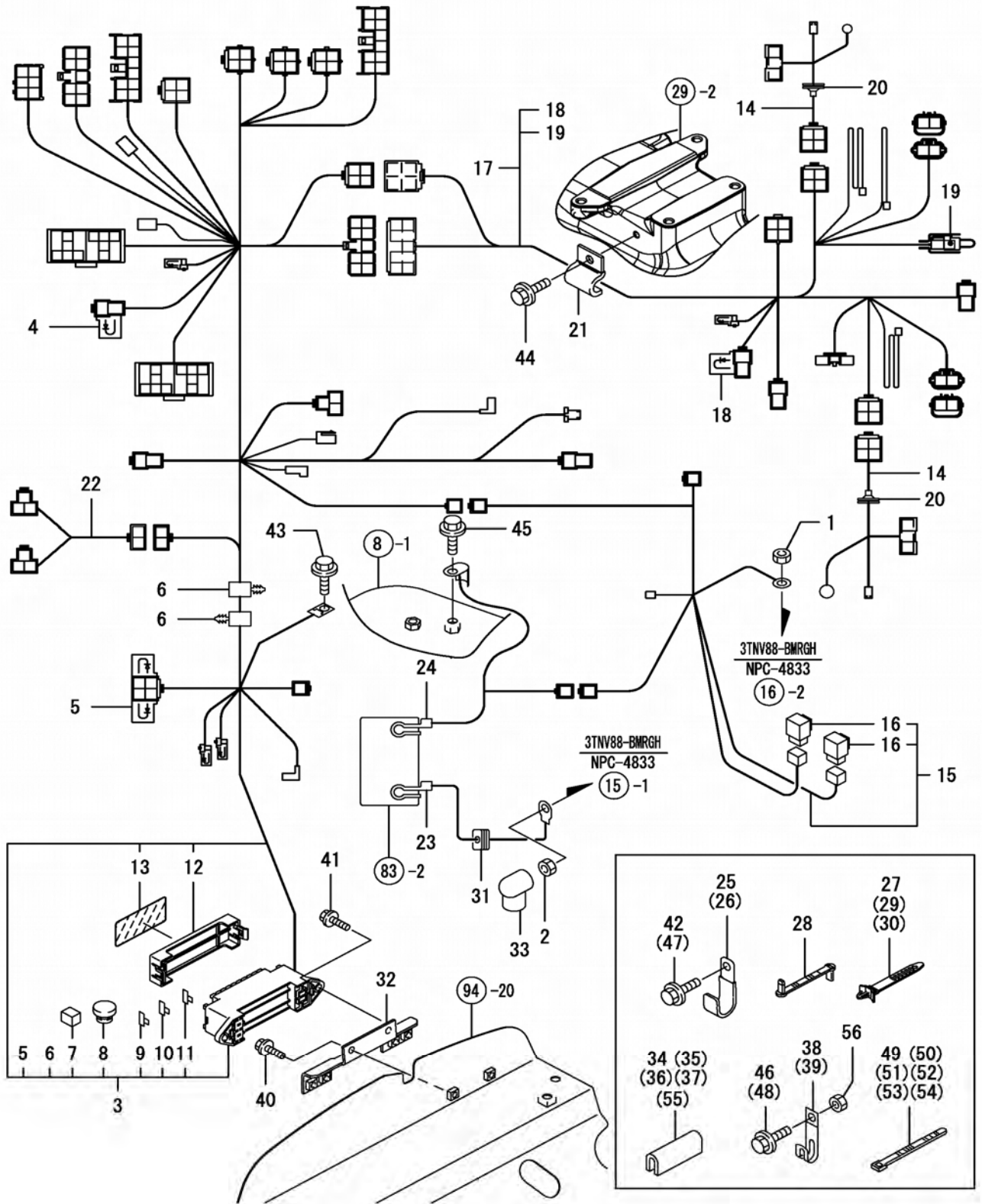
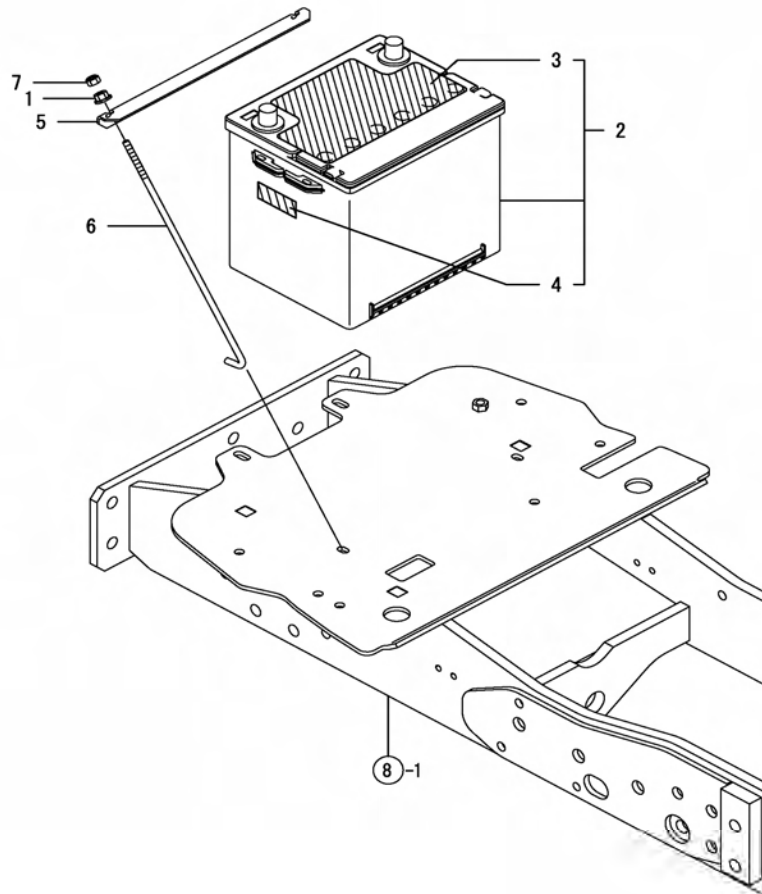


FIG. 82. WIRE HARNESS

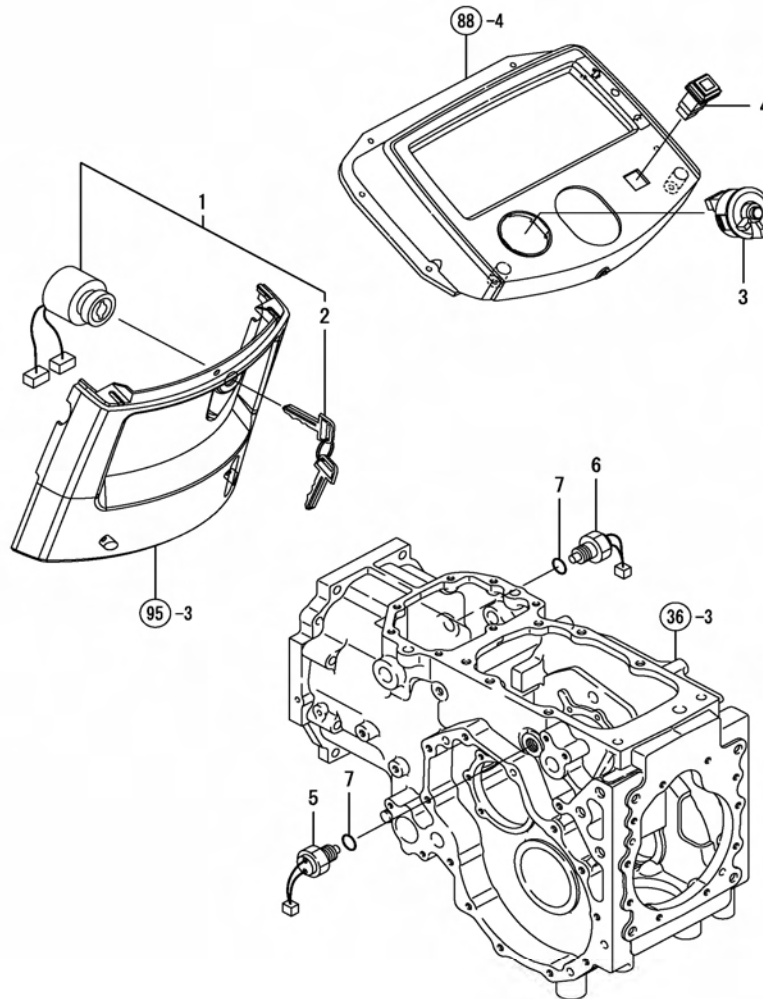
REF NO.	PART NUMBER	DESCRIPTION	QTY	REF NO.	PART NUMBER	DESCRIPTION	QTY
1	CY-194990-22130	NUT W/WASHER 6	1	28	CY-194250-51650	CLAMP 66	4
2	CY-194990-22140	NUT W/WASHER 8 - S/N F000155 & BELOW	1	29	CY-194680-51670	BAND	2
2	CY-194990-22050	NUT W/WASHER 8 - S/N F000156 & ABOVE	1	30	CY-194680-51670	BAND	1
3	CY-1A8160-51100	WIRING HARNESS A CMP	1	31	CY-1A7260-51710	GROMMET, CABLE	1
4	CY-1A7500-51130	DIODE, 3.0A	1	32	CY-1A7260-52510	STAY, FUSE BOX	1
5	CY-1A8160-51130	DIODE, 3.0AX2	1	33	CY-124550-77030	COVER, TERMINAL	1
6	CY-1A7500-51160	CLIP, HARNESS	2	34	CY-198291-77870	COVER, HOSE PROTECTOR	2
7	CY-194275-51160	COUPLER	1	35	CY-198291-77870	COVER, HOSE PROTECTOR	1
8	CY-194275-51170	PLUG	1	36	CY-198291-77870	COVER, HOSE PROTECTOR	1
9	CY-198535-52110	FUSE	4	37	CY-198291-77870	COVER, HOSE PROTECTOR	1
10	CY-198535-52120	FUSE 10A	4	38	CY-1E6102-83230	CLAMP, BATTERY CABLE	1
11	CY-198535-52130	FUSE 15A	2	39	CY-194440-51620	CLAMP, WIRE HARNESS	1
12	CY-1A7260-52410	COVER, FUSE BOX	1	40	CY-26106-060122	BOLT M 6X 12 PLATED	2
13	CY-1A8160-65440	LABEL, FUSE	1	41	CY-26106-060162	BOLT M 6X 16 PLATED	4
14	CY-1A7330-51130	HARNESS C ASSY. WIRING HARNESS, START	2	42	CY-26106-080122	BOLT M 8X 12 PLATED	4
15	CY-1A8160-51180	FUSE, 80A SLOW BLOW	1	43	CY-1C6560-06300	BOLT M8X16, EARTH	1
16	CY-198153-51700	WIRING HARNESS B CMP	2	44	CY-26106-080122	BOLT M 8X 12 PLATED	1
17	CY-1A8160-51200	DIODE, 3.0A	1	45	CY-26106-080122	BOLT M 8X 12 PLATED	1
18	CY-1A7500-51130	WIRE	1	46	CY-26106-080122	BOLT M 8X 12 PLATED	1
19	CY-198220-51170	GROMMET, 25	1	47	CY-26106-080122	BOLT M 8X 12 PLATED	2
20	CY-194170-51210	CLAMP - S/N F000155 & BELOW	2	48	CY-26106-080302	BOLT M 8X 30 PLATED	1
21	CY-198220-51250	CLAMP - S/N F000156 & ABOVE	1	49	CY-29622-140001	BAND 140	1
21	CY-194440-51620	WIRING HARNESS, CABLE	1	50	CY-29622-140001	BAND 140	2
22	CY-1A8160-51310	CABLE, BATTERY,NEG	1	51	CY-29622-140001	BAND 140	2
23	CY-198253-51410	CLAMP, WIRE HARNESS	1	52	CY-29622-140001	BAND 140	4
24	CY-1A8160-51420	CLAMP, WIRE HARNESS	1	53	CY-29622-250001	BAND RF 250	1
25	CY-194440-51620	CLAMP, WIRE HARNESS	2	54	CY-29622-250001	BAND RF 250	1
26	CY-194440-51620	CLAMP, WIRE HARNESS	4	55	CY-198291-77870	COVER, HOSE PROTECTOR	1
27	CY-194680-51670	BAND	1	56	CY-194990-22140	NUT W/WASHER 8	1

FIG. 83. BATTERY



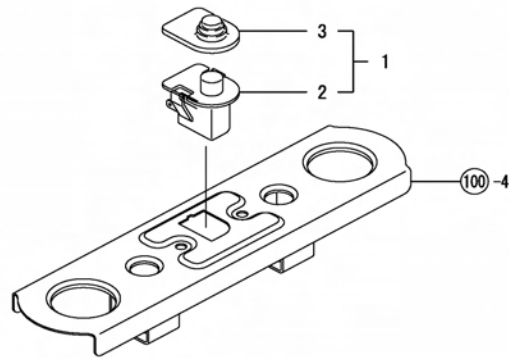
REF NO.	PART NUMBER	DESCRIPTION	QTY
1	CY-194990-22130	NUT W/WASHER 6	2
2	CY-1A8160-51500	BATTERY,26R,ASSY	1
3	CY-1A8160-51520	LABEL, BATTERY	1
4	CY-1A8160-51530	LABEL,CA,65,WARN	1
5	CY-1A8160-51600	CLAMP,BATTERY,6-245	1
6	CY-1A8160-51610	ROD, BATTERY	2
7	CY-26716-060002	NUT 6	2

FIG. 84. SWITCHES



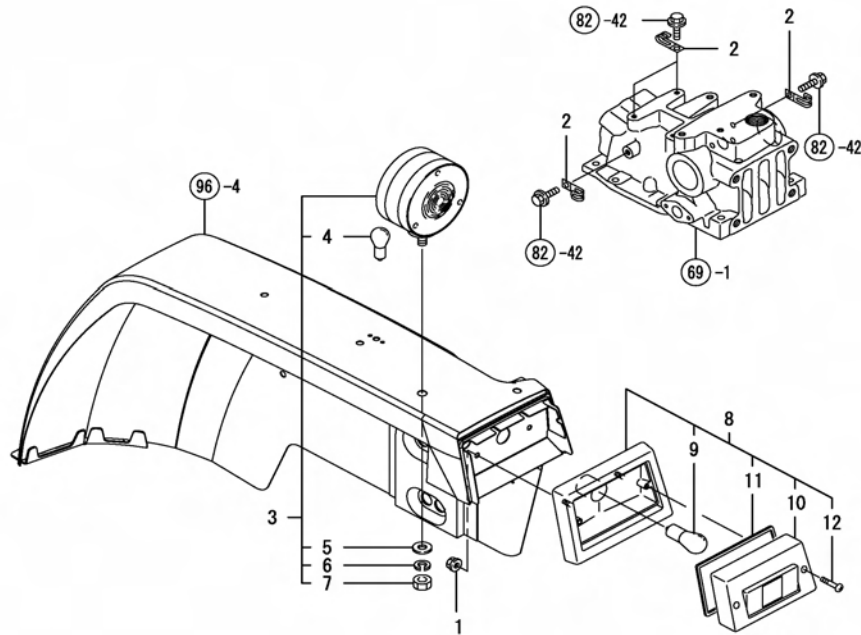
REF NO.	PART NUMBER	DESCRIPTION	QTY
1	CY-198226-52100	SWITCH COMP., START	1
2	CY-194155-52160	KEY	1
3	CY-1A7335-52110	COMBINATION SW	1
4	CY-1A7335-52120	HAZARD SW	1
5	CY-194464-52190	SWITCH, SAFETY START	1
6	CY-194464-52190	SWITCH, SAFETY START	1
7	CY-24311-000180	O-RING 1A P-18.0	2

FIG. 85. SEAT SWITCH



REF NO.	PART NUMBER	DESCRIPTION	QTY
1	CY-1A8160-52300	SWITCH, SEAT, DELTA, AS, ASSY	1
2	CY-1A8160-52310	SWITCH, SEAT, DELTA, AS	1
3	CY-1A8160-52330	PROTECTIVE COVER	1

FIG. 86. LAMPS



REF NO.	PART NUMBER	DESCRIPTION	QTY
1	CY-194990-22130	NUT W/WASHER 6	4
2	CY-194440-51630	CLAMP, WIRE HARNESS	4
3	CY-7A7330-53400	LAMP KIT, WARNING	2
4	CY-1A7330-53430	BULB	2
5	CY-22137-120000	WASHER 12,POLISHED	2
6	CY-22217-120000	SPRING WASHER 12	2
7	CY-26776-120002	LOCK NUT M12 PLATED	2
8	CY-1A7335-53600	LAMP, TAIL	2
9	CY-1A7335-53610	BULB 12V-21/5W	2
10	CY-1A7335-53620	LENS ASSY	2
11	CY-1A7335-53640	GASKET	2
12	CY-1A7335-53650	SCREW, M6X32	4

FIG. 87. FRONT LAMPS

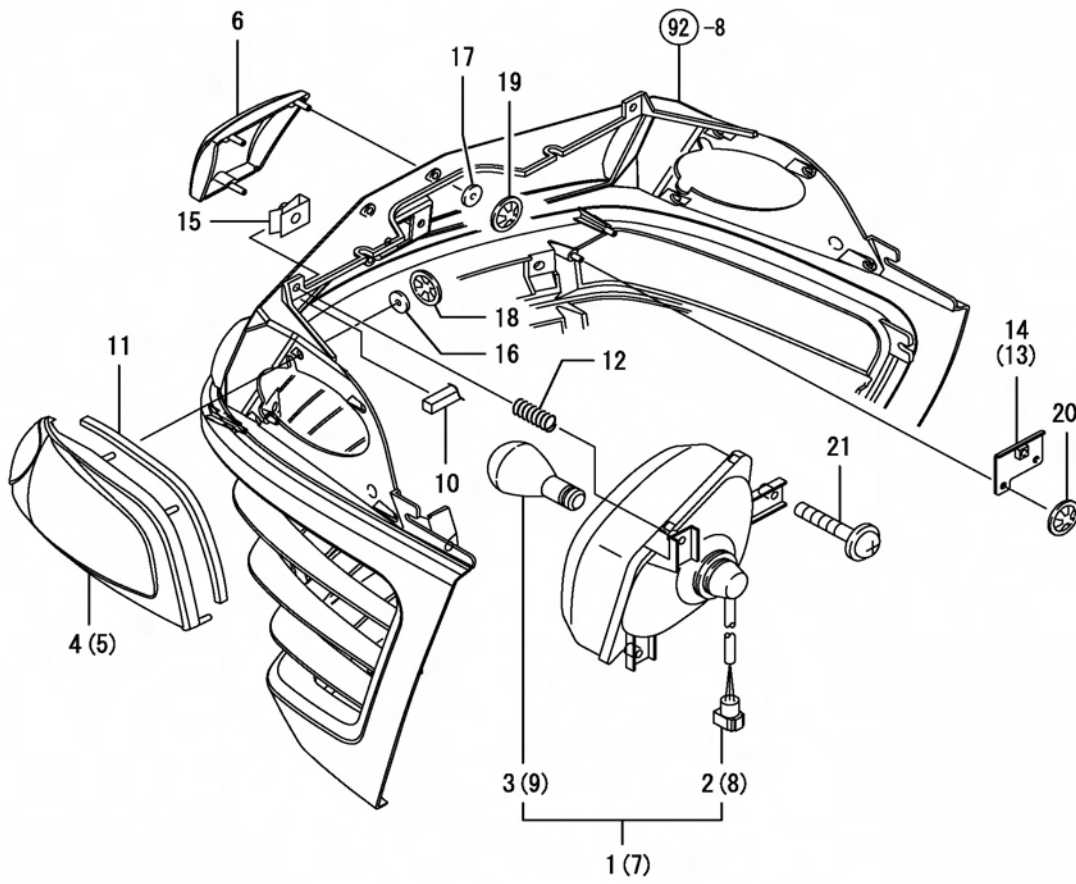
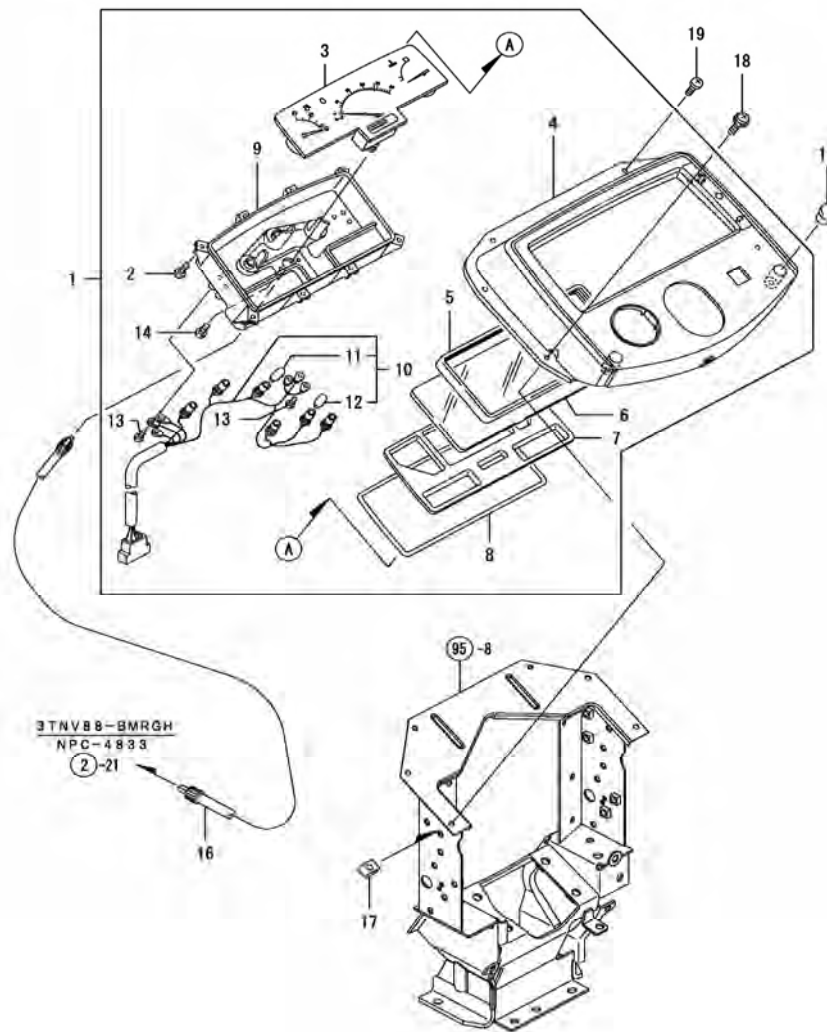


FIG. 87. FRONT LAMPS

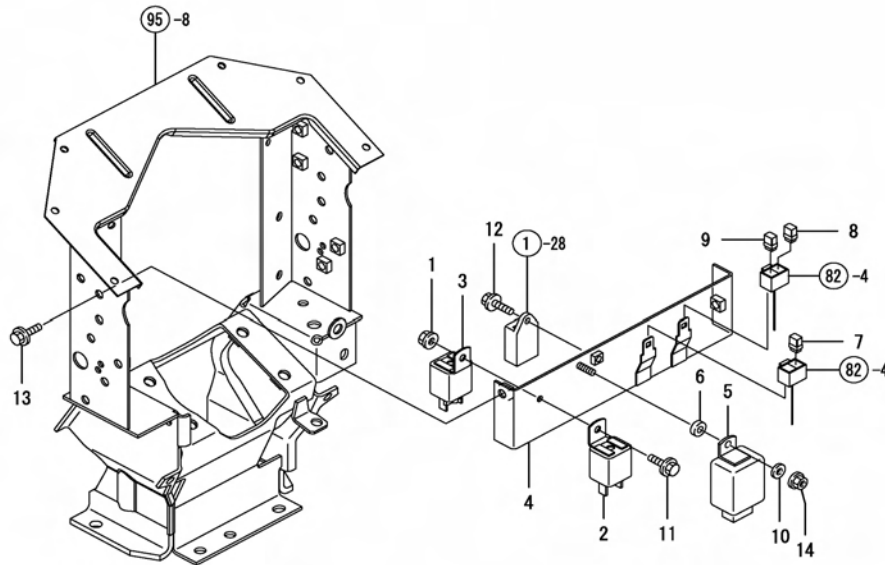
REF NO.	PART NUMBER	DESCRIPTION	QTY
1	CY-1A7780-53200	HEADLIGHT ASSY, L.H.	1
2	CY-1A7000-53230	WIRE ASSY, LEAD	1
3	CY-198448-53320	BULB 12V45/45W	1
4	CY-1A7260-53251	LENS, SIDE L.H	1
5	CY-1A7260-53261	LENS, SIDE R.H	1
6	CY-1A8160-53270	LENS, CENTER	1
7	CY-1A7780-53300	HEADLIGHT ASSY, R.H.	1
8	CY-1A7000-53230	WIRE ASSY, LEAD	1
9	CY-198448-53320	BULB 12V45/45W	1
10	CY-1A7260-53350	SEAL, HEADLIGHT	2
11	CY-1A8160-53360	URETHANE, SIDE LENS	2
12	CY-198153-53410	SPRING, ADJUST	6
13	CY-1A7260-61250	BRACKET ASSY, L	1
14	CY-1A7260-61260	BRACKET ASSY, R	1
15	CY-198071-61890	NUT 6,SPEED	4
16	CY-198475-65030	CUSHION	8
17	CY-198475-65030	CUSHION	3
18	CY-198071-65610	NUT M5,SPEED	8
19	CY-198071-65610	NUT M5,SPEED	3
20	CY-198071-65610	NUT M5,SPEED	4
21	CY-26557-060352	SCREW	6

FIG. 88. INSTRUMENT PANEL



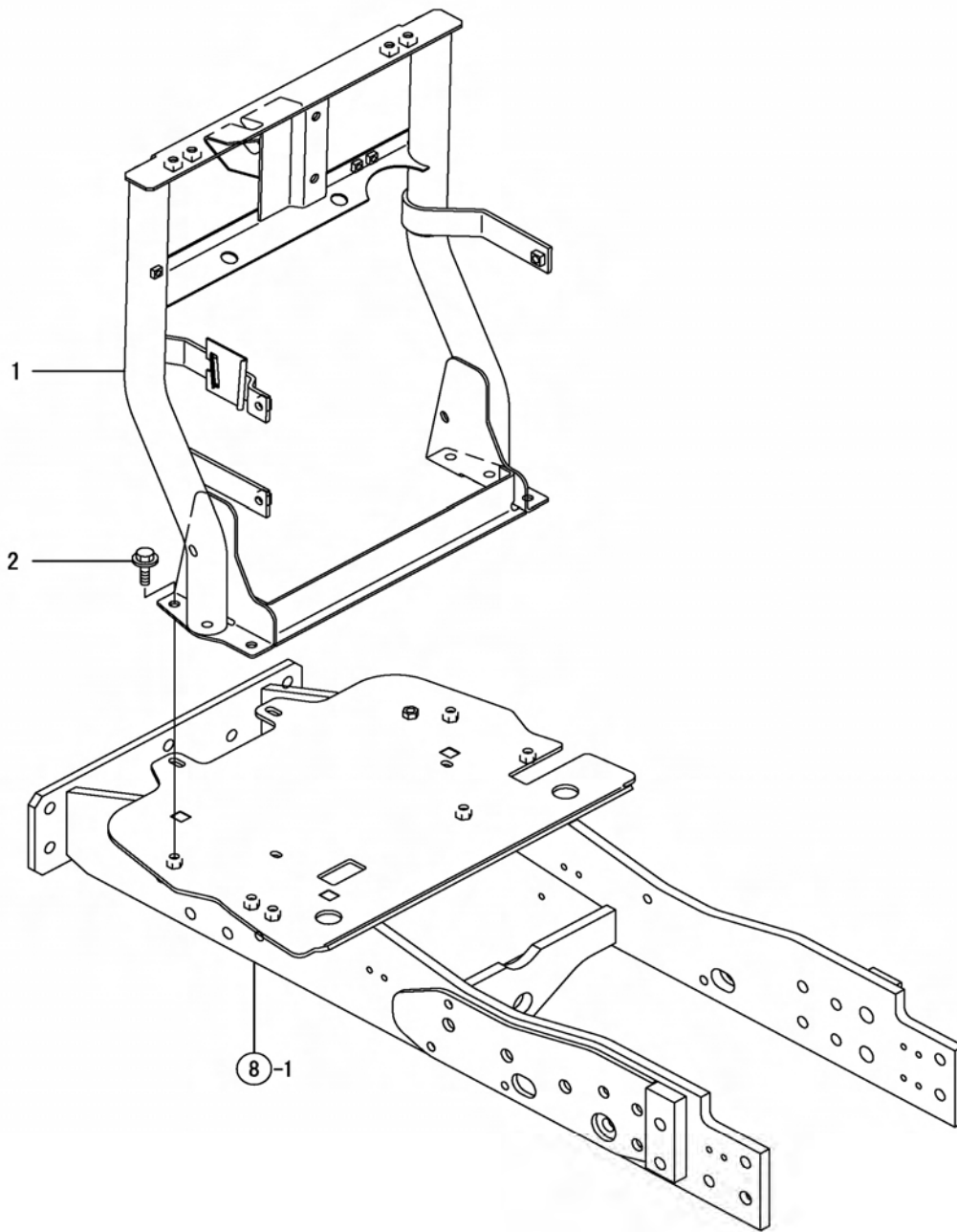
REF NO.	PART NUMBER	DESCRIPTION	QTY
1	CY-1A8160-56100	PANEL, INSTRUMENT	1
2	CY-198220-53170	SCREW	8
3	CY-1A8160-56110	METER ASSY	1
4	CY-1A7335-56120	PANEL	1
5	CY-198220-56130	PACKING	1
6	CY-198220-56140	GLASS	1
7	CY-198220-56150	RETAINER	1
8	CY-198220-56160	PACKING	1
9	CY-1A8160-56200	CASE ASSY	1
10	CY-1A8160-56210	HARNES, WIRING	1
11	CY-198220-56220	LAMP	3
12	CY-124617-91920	BULB	3
13	CY-198220-56230	SCREW	6
14	CY-26022-030062	SCREW M 3X 6	2
15	CY-194555-56890	GROMMET 15	2
16	CY-194275-56900	CABLE, HOUR-METER	1
17	CY-194145-61651	NUT, M5	4
18	CY-194940-61790	SCREW 5X16	4
19	CY-26589-060162	SCREW M6, BINDING	2

FIG. 89. RELAY



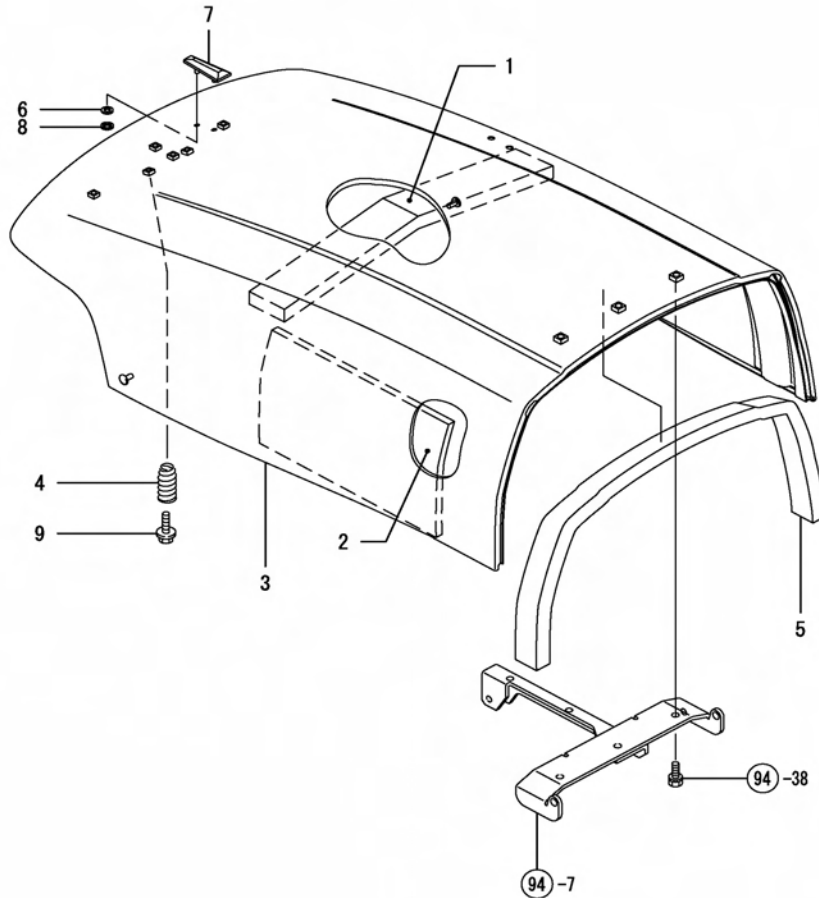
REF NO.	PART NUMBER	DESCRIPTION	QTY
1	CY-194990-22130	NUT W/WASHER 6	1
2	CY-198220-52180	RELAY, STARTER	1
3	CY-198220-52180	RELAY, STARTER	1
4	CY-1A8160-52510	SUPPORT,RELAY	1
5	CY-1A6780-57200	FLUSHER UNIT	1
6	CY-194151-57210	SPACER	1
7	CY-1K1140-82500	RELAY(ACM13211M01	1
8	CY-1K1140-82500	RELAY(ACM13211M01	1
9	CY-1K1140-82500	RELAY(ACM13211M01	1
10	CY-22137-060000	WASHER 6, POLISHED	1
11	CY-26106-060162	BOLT M 6X 16 PLATED	1
12	CY-26106-060162	BOLT M 6X 16 PLATED	1
13	CY-26106-080122	BOLT M 8X 12 PLATED	2
14	CY-26347-060002	U-NUT, 6	1

FIG. 90. FRONT FRAME



REF NO.	PART NUMBER	DESCRIPTION	QTY
1	CY-1A8160-60100	FRAME ASSY, FRONT	1
2	CY-26106-080162	BOLT M 8X 16 PLATED	4

FIG. 91. HOOD



REF NO.	PART NUMBER	DESCRIPTION	QTY
1	CY-1A7260-60610	URETHANE, HOOD UPPER	1
2	CY-1A7260-60890	URETHANE, HOOD UPPER	1
3	CY-1A7260611002	HOOD ASSY	1
4	CY-198220-61340	SPRING	2
5	CY-1A8160-61900	FORM, HOOD	1
6	CY-198475-65030	CUSHION	2
7	CY-194940-65590	MARK, TOP	1
8	CY-198071-65610	NUT M5, SPEED	2
9	CY-26106-060162	BOLT M 6X 16 PLATED	2

FIG. 92. FRONT GRILLE

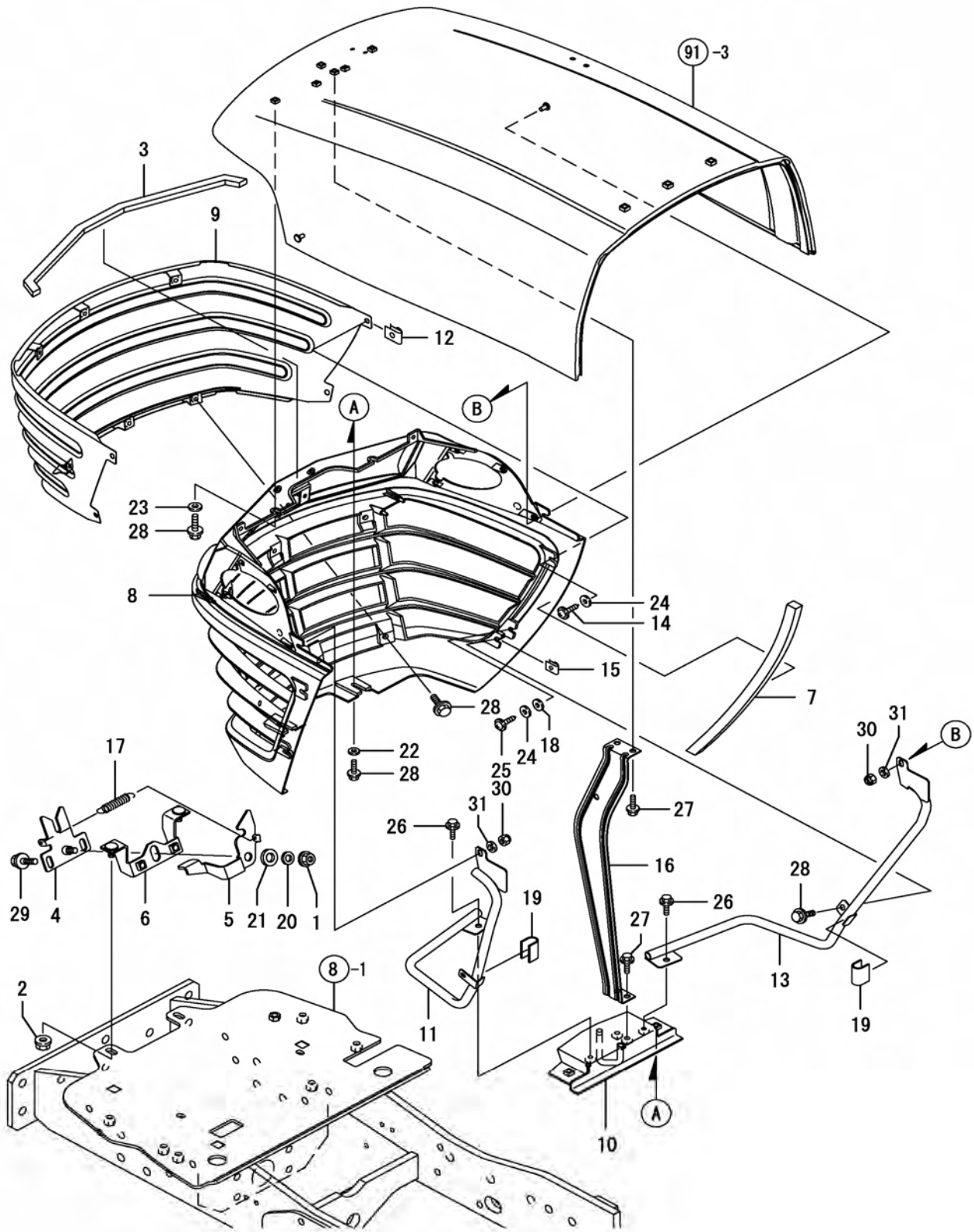


FIG. 92. FRONT GRILLE

REF NO.	PART NUMBER	DESCRIPTION	QTY
1	CY-194990-22140	NUT W/WASHER 8	1
2	CY-194990-22140	NUT W/WASHER 8	2
3	CY-1A7260-60680	URETHANE, GRILLE	1
4	CY-1A7260-60800	CATCH, LOCK	1
5	CY-1A7260-60810	LEVER, GRILLE LOCK	1
6	CY-1A7260-60820	PLATE, BASE LOCK	1
7	CY-1A7260-60870	SEAL, GRILLE SIDE	2
8	CY-1A7890613001	GRILLE, FRONT	1
9	CY-1A7260613101	NET ASSY, GRILLE	1
10	CY-1A7260-61550	STAY ASSY, LOCK	1
11	CY-1A7260-61650	FRAME ASSY, L GRILLE	1
12	CY-194145-61651	NUT, M5	4
13	CY-1A7260-61660	FRAME ASSY, R GRILLE	1
14	CY-194940-61790	SCREW 5X16	2
15	CY-198071-61890	NUT 6, SPEED	2
16	CY-1A7260-61920	STAY, FRONT GRILLE	1
17	CY-198230-61960	SPRING	1
18	CY-198220-62150	WASHER	2
19	CY-198093-84810	SEAL, FENDER	2
20	CY-22137-080000	WASHER 8, POLISHED	1
21	CY-22137-120000	WASHER 12, POLISHED	1
22	CY-22157-060000	WASHER 6	2
23	CY-22157-060000	WASHER 6	2
24	CY-22157-060000	WASHER 6	4
25	CY-22859-500202	SCREW, 5.0 X 20	2
26	CY-26106-060122	BOLT M 6X 12 PLATED	2
27	CY-26106-060122	BOLT M 6X 12 PLATED	4
28	CY-26106-060162	BOLT M 6X 16 PLATED	12
29	CY-26106-080122	BOLT M 8X 12 PLATED	2
30	CY-26346-060002	U-NUT M 6 PLATED	2
31	CY-22137-060000	WASHER 6, POLISHED - S/N F000156 & ABOVE	2

FIG. 93. SIDE COVER

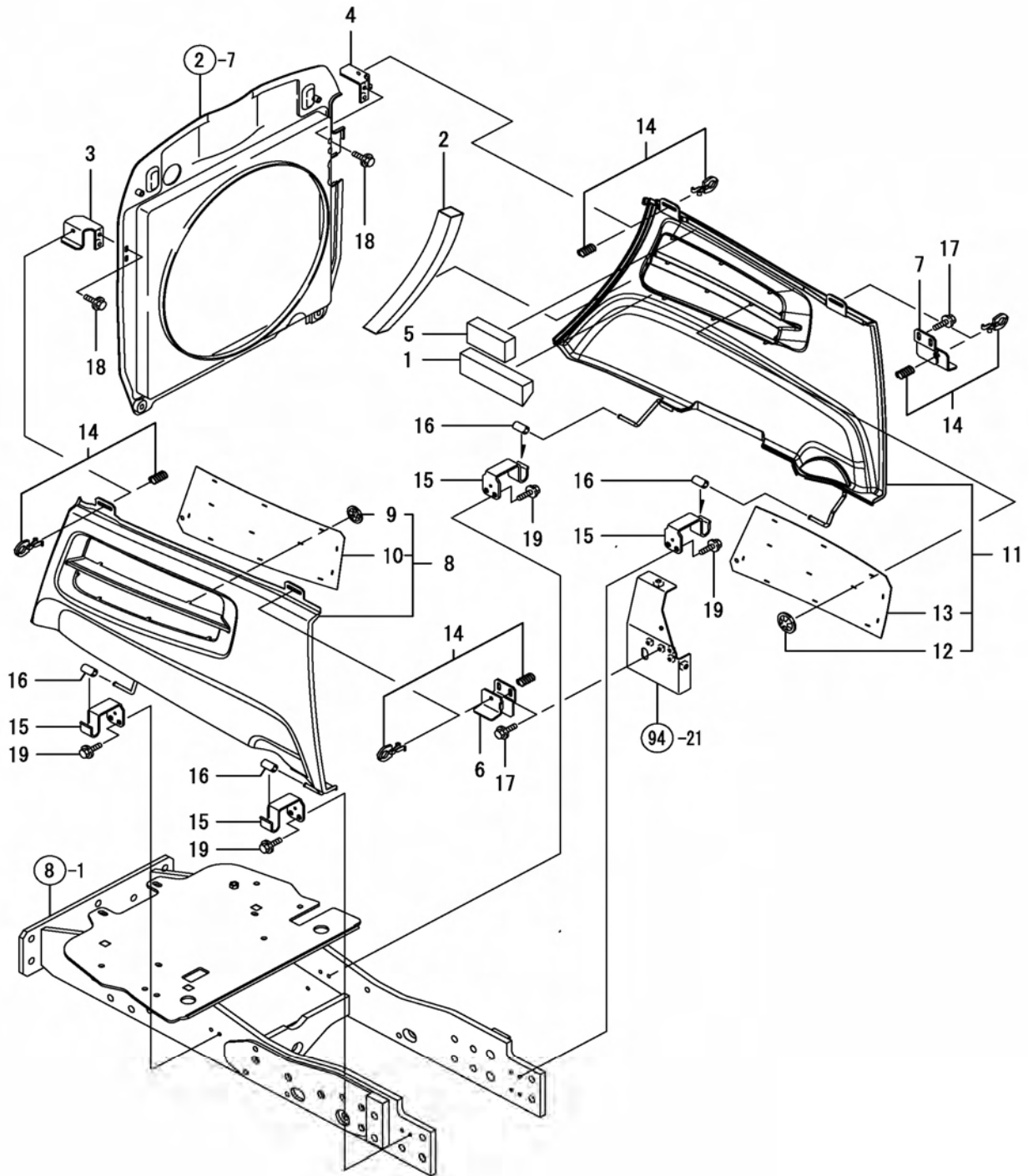


FIG. 93. SIDE COVER

REF NO.	PART NUMBER	DESCRIPTION	QTY
1	CY-1A7260-60640	URETHANE, A COVER	2
2	CY-1A7260-60670	URETHANE, B COVER	2
3	CY-1A7260-60780	BRACKET, L	1
4	CY-1A7260-60790	BRACKET, R	1
5	CY-1A7260-60900	URETHANE, C COVER	2
6	CY-1A7260-60920	BRACKET, L.H. COVER	1
7	CY-1A7260-60930	BRACKET, R.H. COVER	1
8	CY-1A8160-61000	COVER (M ASSY SIDE L)	1
9	CY-198129-05190	NUT, PUSH 6	12
10	CY-1A7260610601	NET, L SIDE COVER	1
11	CY-1A8160-61010	COVER (M ASSY,SIDE R)	1
12	CY-198129-05190	NUT, PUSH 6	12
13	CY-1A7260610701	NET, R SIDE COVER	1
14	CY-198220-61351	LOCK COMP.,CAM	4
15	CY-1A8160-61400	STAY, SIDE COVER	4
16	CY-198220-61800	RUBBER, CUSHION	4
17	CY-26106-060122	BOLT M 6X 12 PLATED	4
18	CY-26106-060122	BOLT M 6X 12 PLATED	4
19	CY-26106-080122	BOLT M 8X 12 PLATED	8

FIG. 94. HOOD FRAME

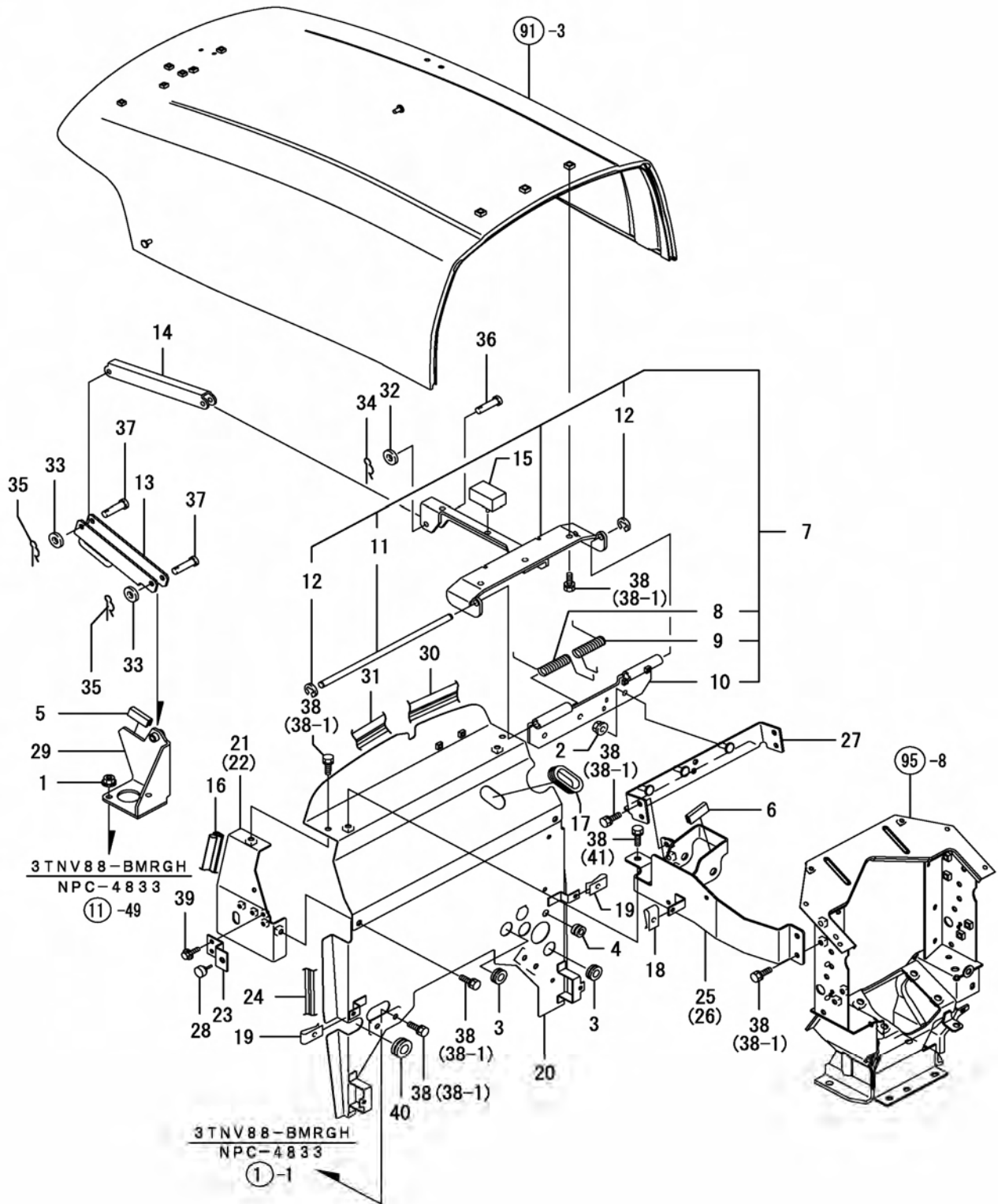


FIG. 94. HOOD FRAME

REF NO.	PART NUMBER	DESCRIPTION	QTY
1	CY-194990-22140	NUT W/WASHER 8	2
2	CY-194990-22140	NUT W/WASHER 8	3
3	CY-194170-51210	GROMMET, 25	4
4	CY-198071-58810	GROMMET 8	1
5	CY-198448-60080	TRIM 40	1
6	CY-198448-60080	TRIM 40	2
7	CY-1A7260-60911	HINGE ASSY, HOOD	1
8	CY-1A7260-60580	SPRING, L.H.	1
9	CY-1A7260-60590	SPRING, R.H.	1
10	CY-1A7260-61080	PLATE, LOWER	1
11	CY-1A7260-61190	PIN,	1
12	CY-22272-000080	CIRCLIP E- 8	2
13	CY-1A7260-60950	STAND, A HOOD	1
14	CY-1A7260-60960	STAND, B HOOD	1
15	CY-1A7890-60980	CUSHION	1
16	CY-1A7340-61560	WEATHER STRIP, 180	2
17	CY-194440-61580	GROMMET, 21X46	2
18	CY-194167-61650	NUT, M5	2
19	CY-194167-61650	NUT, M5	4
20	CY-1A8160-61700	PLATE CMP, AIR SHIELD	1
21	CY-1A8160-61730	SUPPORT L.H., CMP	1
22	CY-1A8160-61740	SUPPORT R.H., CMP	1
23	CY-1A8160-61810	STAY,DB SIDE	2
24	CY-194555-61970	STRIP	2
25	CY-1A8160-62030	BRACKET L CMP, TANK	1
26	CY-1A8160-62040	BRACKET R CMP, TANK	1
27	CY-1A8160-62050	SUPPORT CMP, HOOD	1
28	CY-194330-62530	STOPPER, PEDAL	2
29	CY-1A8160-62540	STAND CMP, HOOD	1
30	CY-174570-63620	WEATHER-STRIP, 195	1
31	CY-198146-63660	STRIP 250, WEATHER	1
32	CY-22137-080000	WASHER 8, POLISHED	1
33	CY-22137-080000	WASHER 8, POLISHED	2
34	CY-22372-080000	SNAP PIN (JASO 8)	1
35	CY-22372-080000	SNAP PIN (JASO 8)	2
36	CY-22487-080300	PIN 8X 30	1
37	CY-22487-080300	PIN 8X 30	2
38	CY-26106-080162	BOLT M 8X 16 PLATED - S/N F000155 & BELOW	21
38	CY-26106-080162	BOLT M 8X 16 PLATED - S/N F000156 & ABOVE	19
39	CY-26106-060122	BOLT M 6X 12 PLATED	4
40	CY-198245-51210	GROMMET 25	1
41	CY-26106-080122	BOLT M 8X 12 PLATED - S/N F000156 & ABOVE	2

FIG. 95. DASHBOARD

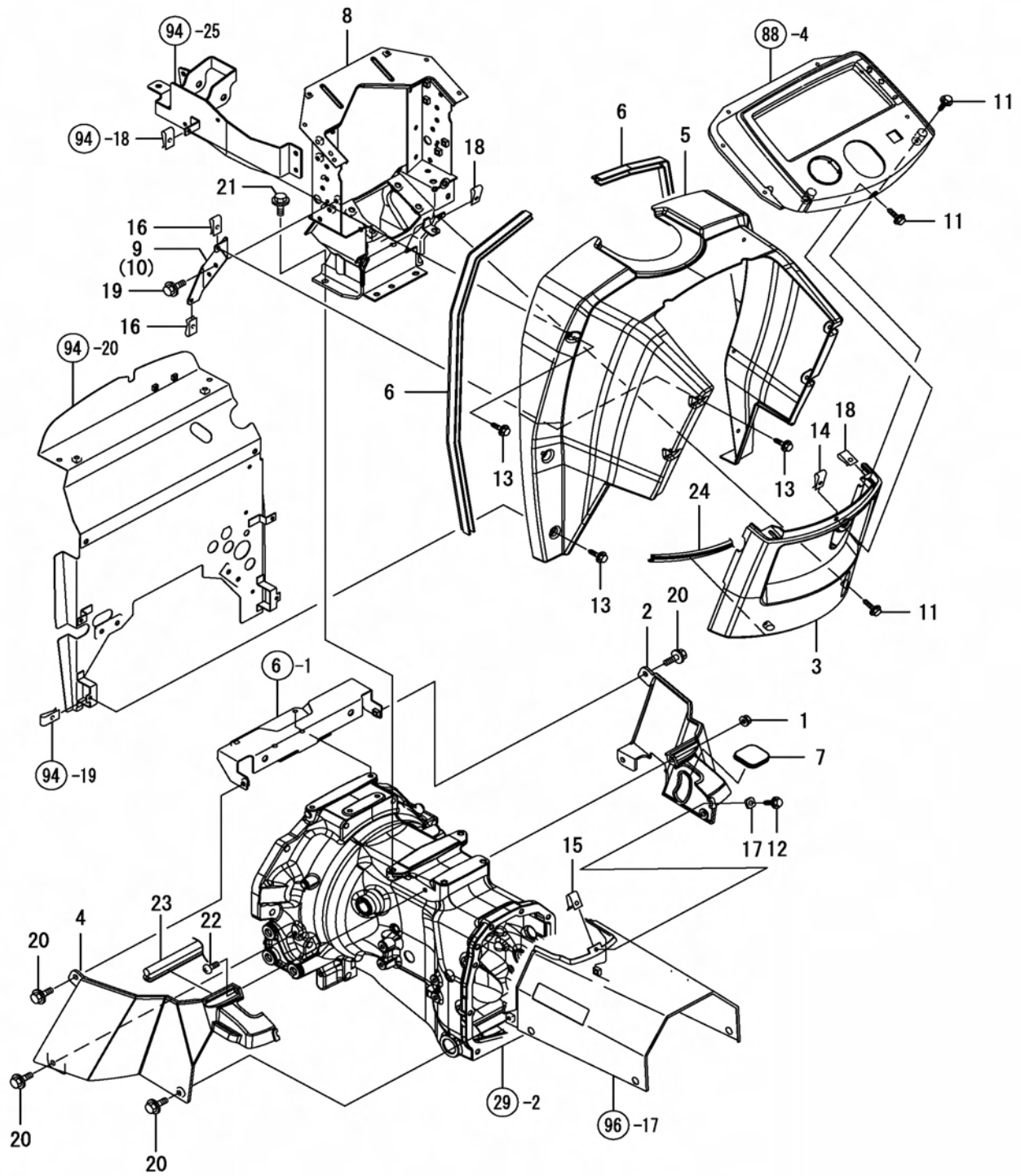


FIG. 95. DASHBOARD

REF NO.	PART NUMBER	DESCRIPTION	QTY
1	CY-194990-22130	NUT W/WASHER 6	1
2	CY-1A8160-61520	COVER, LOWER R.H	1
3	CY-1A8160-61530	COWL	1
4	CY-198220-61540	COVER, LOWER L.H	1
5	CY-1A8160-61550	COVER, CENTER	1
6	CY-1A8160-61560	TRIM 750	2
7	CY-1A8160-61570	GROMMET, LOWER COVER	1
8	CY-1A8160-61600	SUPPORT, DASHBOARD	1
9	CY-1A8160-61610	SUPPORT, COVER L.H.	1
10	CY-1A8160-61620	SUPPORT, COVER R.H.	1
11	CY-194555-61640	SCREW M 5X 25	5
12	CY-194555-61640	SCREW M 5X 25	1
13	CY-194555-61640	SCREW M 5X 25	10
14	CY-194167-61650	NUT, M5	1
15	CY-194167-61650	NUT, M5	1
16	CY-194167-61650	NUT, M5	4
17	CY-198220-62030	WASHER	1
18	CY-198220-63850	NUT 5	4
19	CY-26106-080122	BOLT M 8X 12 PLATED	4
20	CY-26106-080162	BOLT M 8X 16 PLATED	6
21	CY-26106-100202	BOLT M10X 20 PLATED	4
22	CY-26587-060202	SCREW M 6X 20	1
23	CY-198268-61690	WEATHER-STRIP, 550	1
24	CY-1A8160-61880	SEAL, DASHBOARD COVER	1

FIG. 96. FENDER

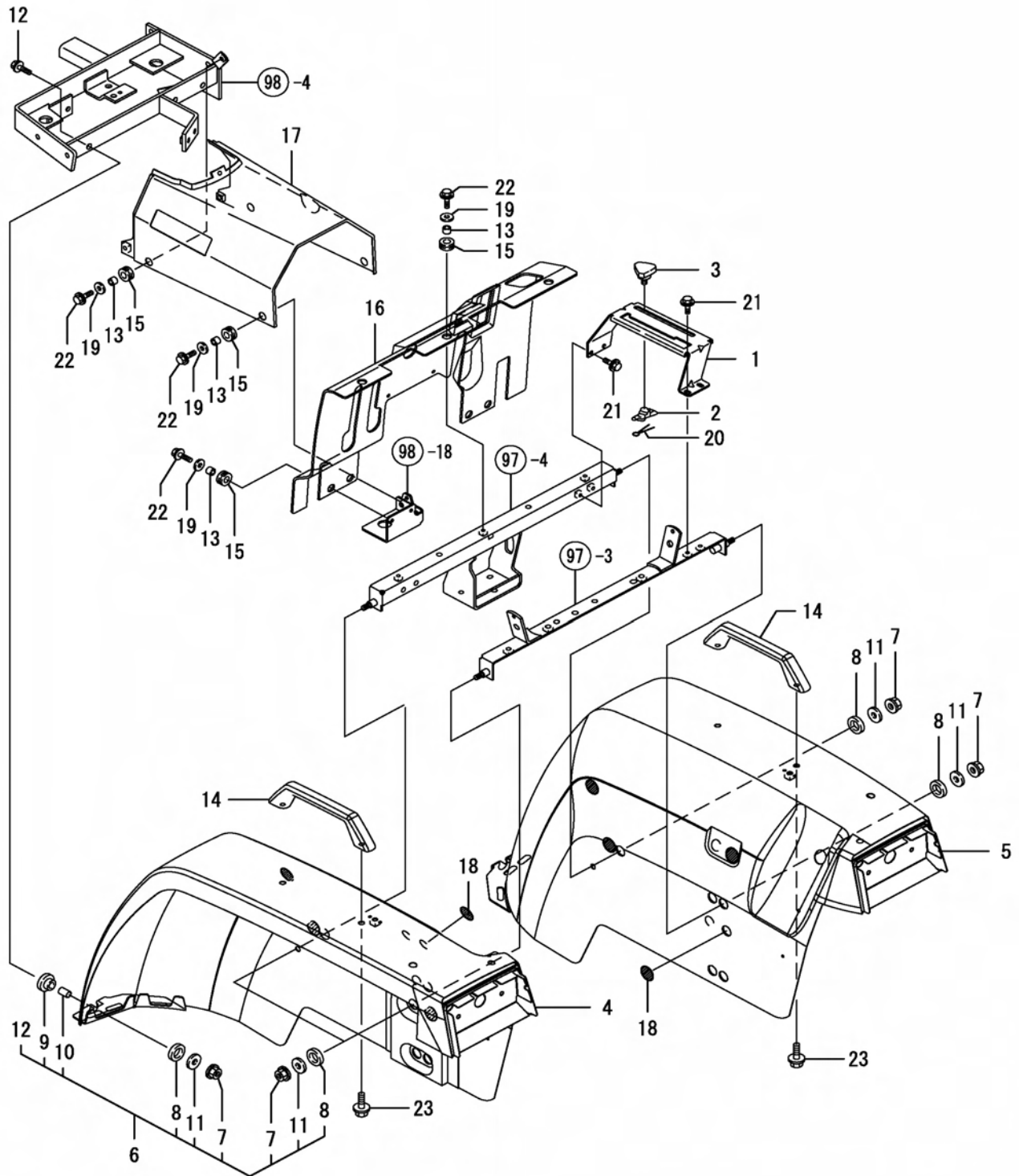


FIG. 96. FENDER

REF NO.	PART NUMBER	DESCRIPTION	QTY
1	CY-198220477101	GUIDE, LEVER	1
2	CY-198220-47750	STOPPER	1
3	CY-194130-47851	KNOB	1
4	CY-1A8160-62010	FENDER (M L CMP)	1
5	CY-1A8160-62020	FENDER (M R CMP)	1
6	CY-1A8160-62100	ASSY PARTS, FENDER	1
7	CY-194990-22140	NUT W/WASHER 8	8
8	CY-198220-62260	CUSHION A, RUBBER	8
9	CY-198220-62270	CUSHION B, RUBBER	8
10	CY-198220-62920	COLLAR, CUSHION	2
11	CY-22157-080000	WASHER 8	8
12	CY-26106-080302	BOLT M 8X 30 PLATED	2
13	CY-198220-62220	COLLAR	11
14	CY-198220-62410	BAR, ASSIST	2
15	CY-198220-62440	GROMMET	11
16	CY-1A8160-62600	COVER, HYDRAULIC	1
17	CY-1A8160-62640	COVER ASSY, CLUTCH	1
18	CY-1A8160-65760	LABEL, FENDER	16
19	CY-22157-060000	WASHER 6	11
20	CY-22417-200200	COTTER PIN 2.0X20	1
21	CY-26106-060122	BOLT M 6X 12 PLATED	4
22	CY-26106-060202	BOLT M 6X 20 PLATED	11
23	CY-26106-080122	BOLT M 8X 12 PLATED	4

FIG. 97. FENDER STAY

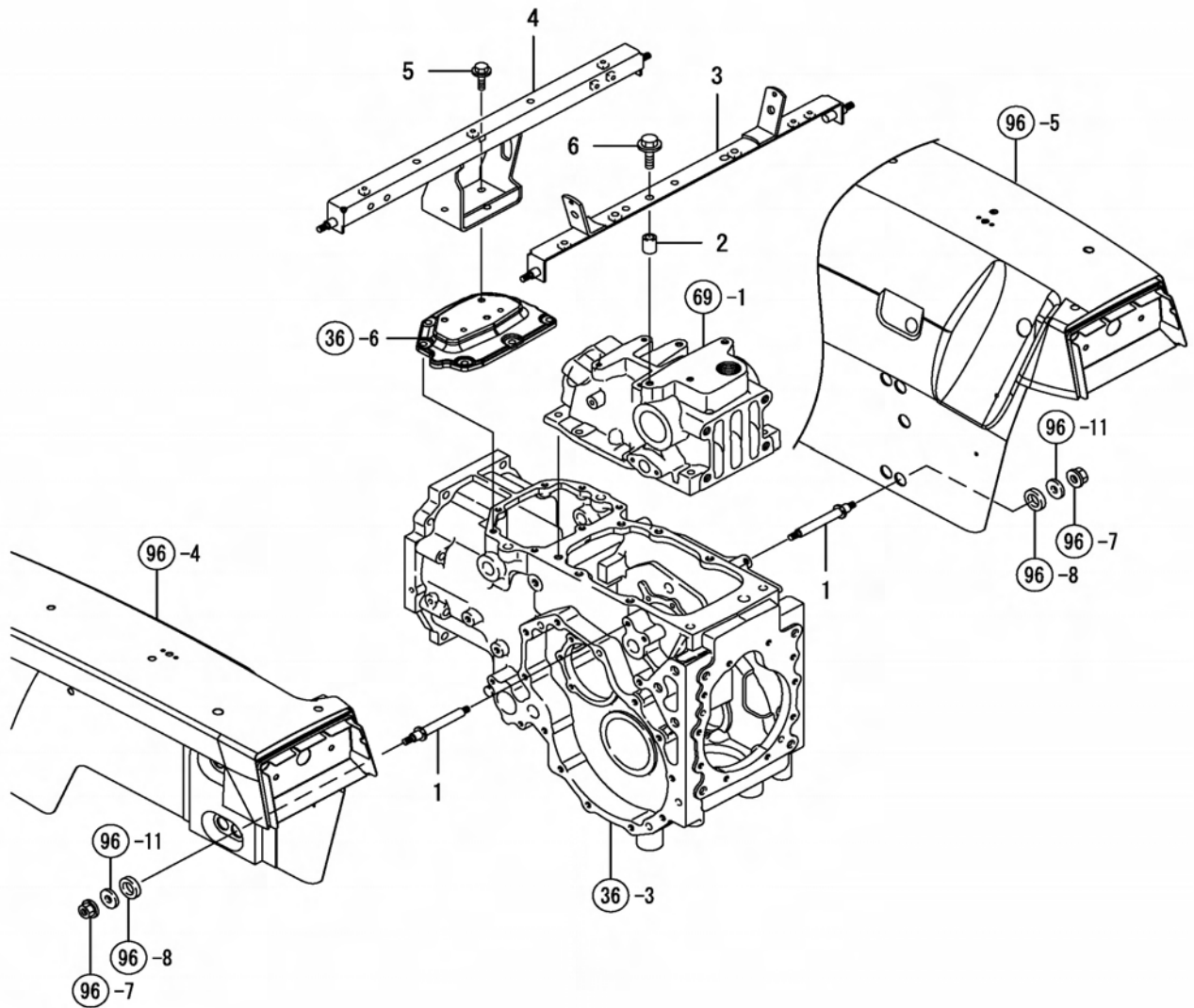


FIG. 97. FENDER STAY

REF NO.	PART NUMBER	DESCRIPTION	QTY
1	CY-198230-62250	STAY, FENDER	2
2	CY-198220-62690	COLLAR	2
3	CY-1A7335-62700	BRACKET, FENDER R.H	1
4	CY-198230-62950	STAY, FENDER	1
5	CY-26106-080162	BOLT M 8X 16 PLATED	3
6	CY-26106-100402	BOLT M10X 40 PLATED	2

FIG. 98. STEP

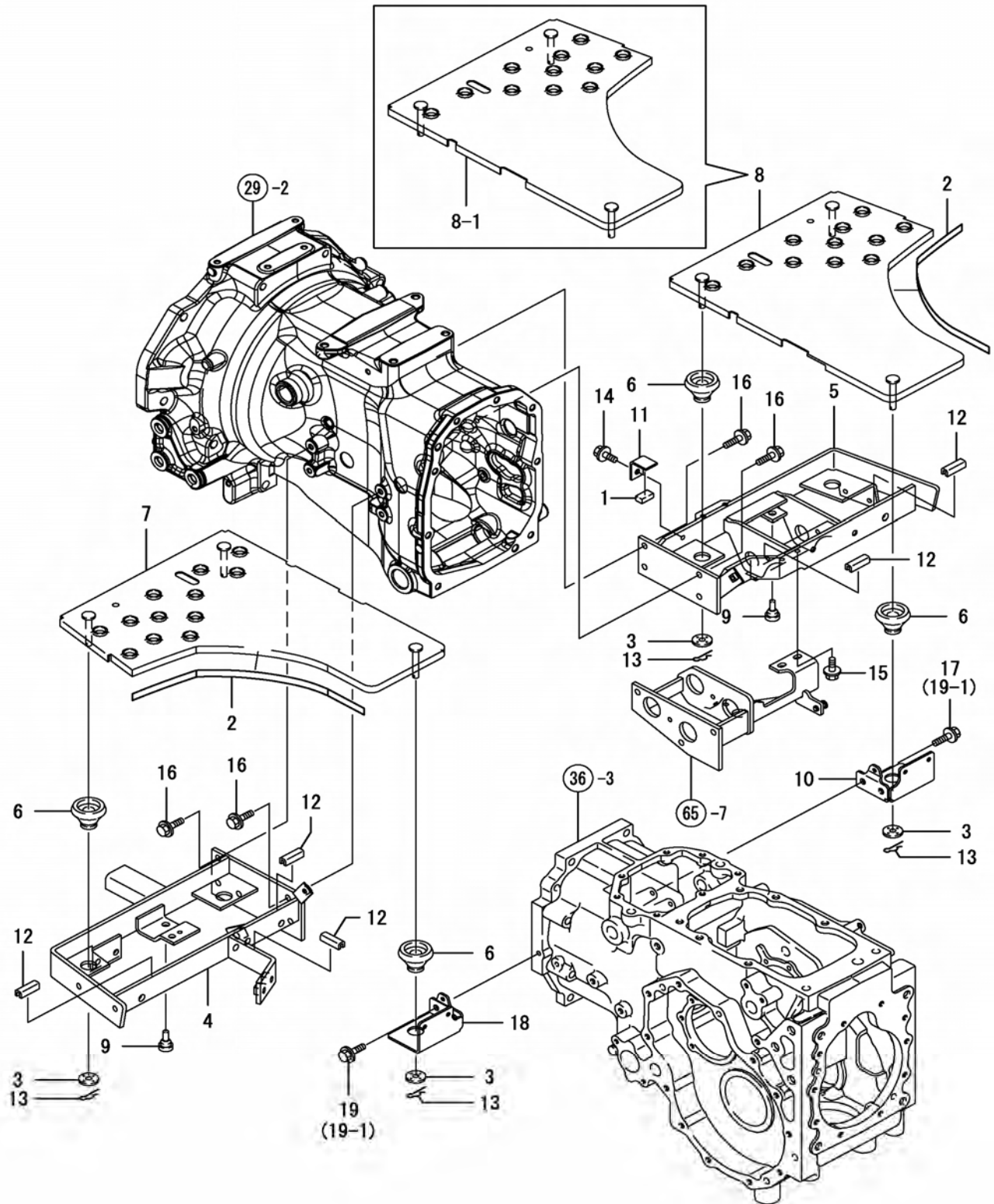


FIG. 98. STEP

REF NO.	PART NUMBER	DESCRIPTION	QTY
1	CY-1A7510-60980	STOPPER	1
2	CY-1A6150-61870	SEAL 3X10X345	2
3	CY-198220-62150	WASHER	5
4	CY-1A8160-62290	SUPPORT, FOOTREST F L	1
5	CY-1A8160-62300	SUPPORT, FOOTREST F R	1
6	CY-198240-62451	RUBBER ISOLATOR, STEP	6
7	CY-198230625101	FOOTREST, L.H	1
8	CY-1A8160-62530	FOOTREST, R.H.	1
8-1	CY-198230625201	FOOTREST, R.H. - S/N F000155 & BELOW	1
9	CY-194330-62530	STOPPER, PEDAL	2
10	CY-1A7335-62560	STAY, STEP RR	1
11	CY-1A8160-62760	STOPPER, STEP	1
12	CY-198220-62890	STOPPER	5
13	CY-22372-080000	SNAP PIN (JASO 8)	5
14	CY-26106-080102	BOLT M 8X 10 PLATED	1
15	CY-26106-080122	BOLT M 8X 12 PLATED	2
16	CY-26106-080202	BOLT M 8X 20 PLATED	8
17	CY-26106-080202	BOLT M 8X 20 PLATED - S/N F000155 & BELOW (REPLACE WITH CY-26106- 080162 IN THIS APPLICATION)	2
18	CY-1A7335-62550	STAY, STEP RL	1
19	CY-26106-080202	BOLT M 8X 20 PLATED - S/N F000155 & BELOW	2
19-1	CY-26106-080162	BOLT M 8X 16 PLATED - S/N F000156 & ABOVE	4

FIG. 99. STEP AUXILIARY

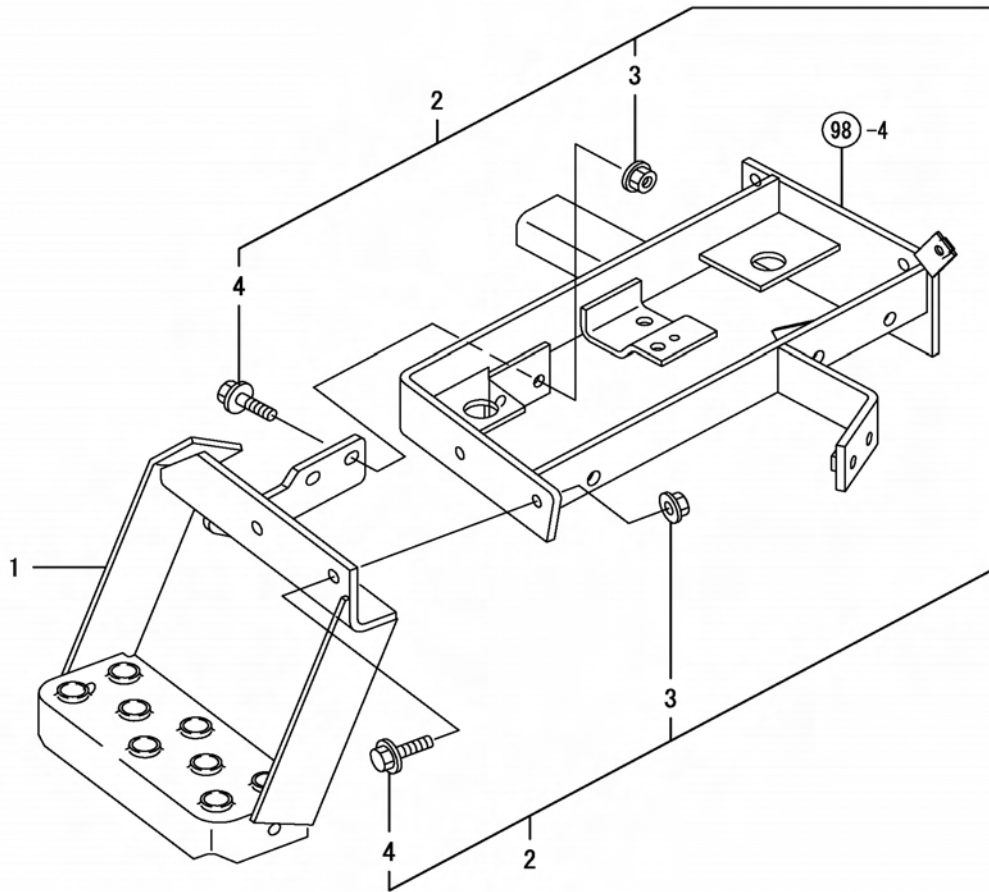


FIG. 99. STEP AUXILIARY

REF NO.	PART NUMBER	DESCRIPTION	QTY
1	CY-198234-62600	STEP, AUXILIARY	1
2	CY-1A8160-62800	PARTS	1
3	CY-194990-22140	NUT W/WASHER 8	4
4	CY-26106-080252	BOLT M 8X 25 PLATED	4

FIG. 100. SEAT

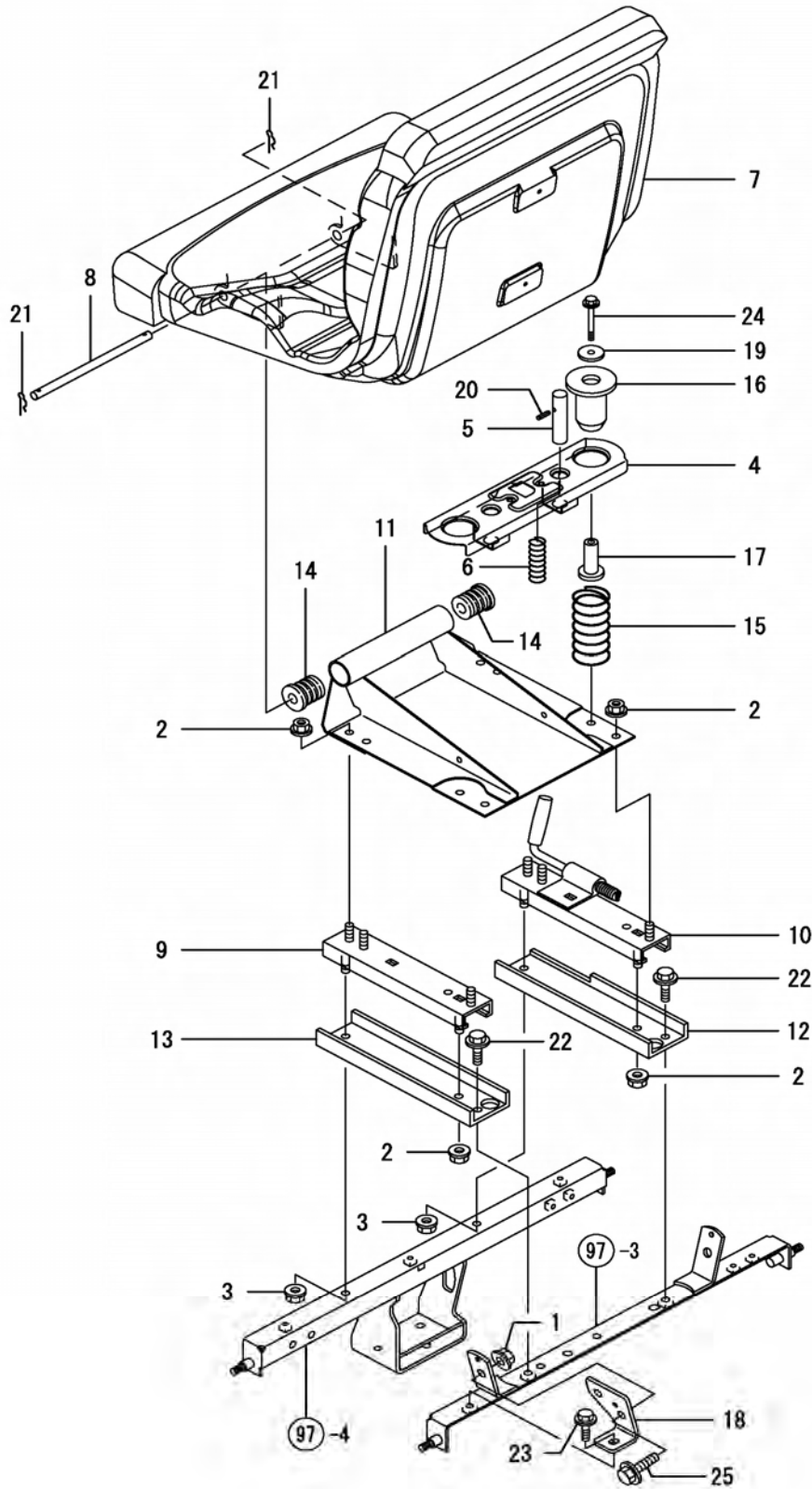


FIG. 100. SEAT

REF NO.	PART NUMBER	DESCRIPTION	QTY
1	CY-194990-22060	NUT, M10 - S/N F000155 & BELOW	1
1	CY-194990-22150	NUT, M10 - S/N F000156 & ABOVE	1
2	CY-194990-22140	NUT W/WASHER 8	8
3	CY-194990-22140	NUT W/WASHER 8	2
4	CY-1A8160-52320	BKT (SEAT SPRING)	1
5	CY-198220-52410	KEY	2
6	CY-198220-52420	SPRING	2
7	CY-198240-63110	SEAT	1
8	CY-198220-63120	PIN, HINGE	1
9	CY-198220-63150	ADJUSTER, BELT	1
10	CY-198220-63160	ADJUSTER, BELT	1
11	CY-1A8160-63200	LOWER BRACKET, SEAT	1
12	CY-198220632201	PLATE R.H	1
13	CY-198220632301	PLATE L.H	1
14	CY-198220-63240	RUBBER	2
15	CY-198220-63260	SPRING, CUSHION	2
16	CY-198220-63270	RUBBER, CUSHION	2
17	CY-198220-63280	COLLAR, SEAT	2
18	CY-1A8160-63430	STAY, SEAT BELT L	1
19	CY-1E6213-64490	WASHER 8.5X22X2.3	2
20	CY-22351-030025	SPRING PIN 3X25	2
21	CY-22372-120000	SNAP PIN 12	2
22	CY-26106-080162	BOLT M 8X 16 PLATED	2
23	CY-26106-080202	BOLT M 8X 20 PLATED	1
24	CY-26106-080702	BOLT M 8X 70 PLATED	2
25	CY-26106-100252	BOLT M10X 25 PLATED	1

FIG. 101. SEAT BELT

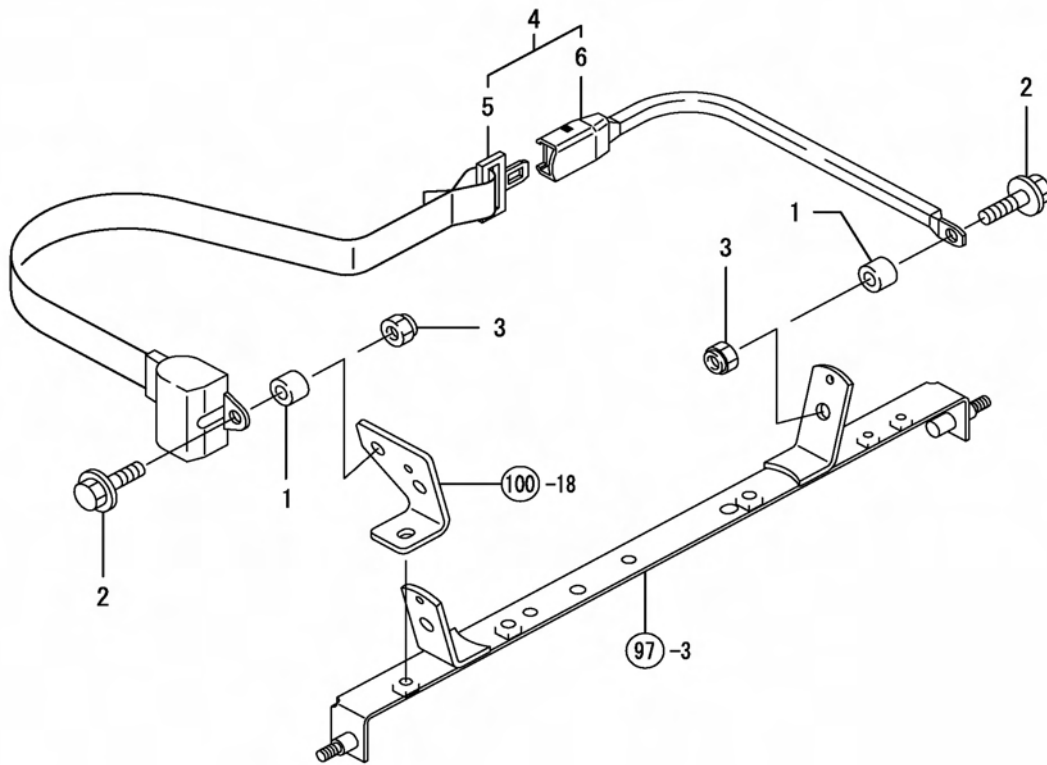


FIG. 101. SEAT BELT

REF NO.	PART NUMBER	DESCRIPTION	QTY
1	CY-1A8160-63440	COLLAR, SEAT BELT	2
2	CY-26106-100352	BOLT M10X 35 PLATED	2
3	CY-26346-100002	U-NUT M10 PLATED	2
4	CY-1A8160-63400	SEAT BELT ASSY	1
5	CY-1A8160-63410	SEAT BELT CMP	1
6	CY-1A8160-63420	BELT R, SAFETY CMP	1

FIG. 102. LABELS

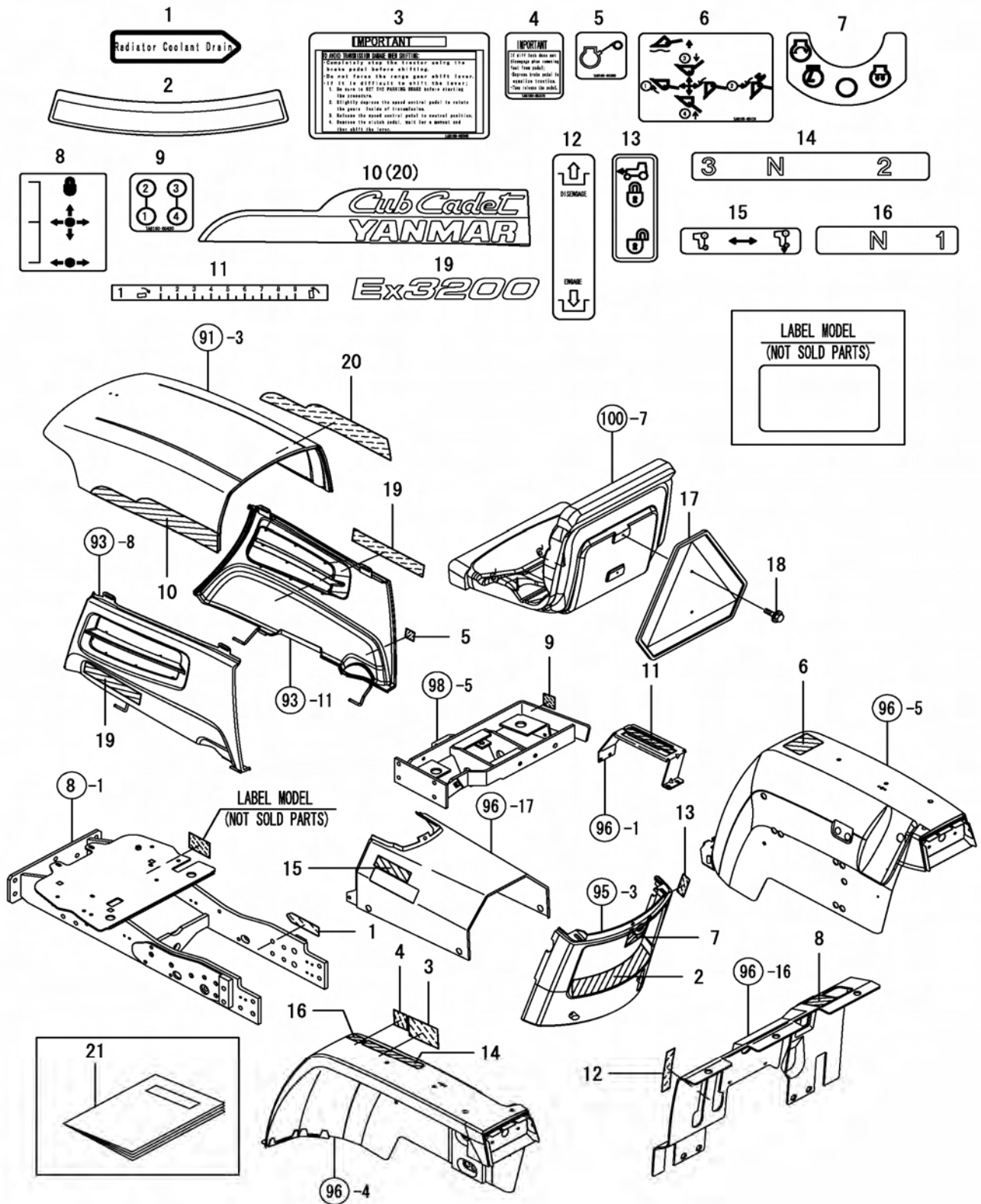


FIG. 102. LABELS

REF NO.	PART NUMBER	DESCRIPTION	QTY
1	CY-1A7340-65080	LABEL, DRAIN	1
2	CY-198220-65350	DECAL, COLD START	1
3	CY-1A8160-65360	LABEL, IMPORTANT, SHIF	1
4	CY-1A8160-65370	LABEL, IMPORTANT, DIFF	1
5	CY-1A8160-65380	LABEL	1
6	CY-1A8160-65410	LABEL, SCV LEVER	1
7	CY-1A8160-65420	LABEL, START SWITCH	1
8	CY-198220-65420	LABEL, SCV LOCK	1
9	CY-1A8160-65430	LABEL, SCV COUPLER	1
10	CY-1A8160-65580	LABEL L	1
11	CY-198220-65470	LABEL, LEVER	1
12	CY-1A8160-65610	LABEL, PTO	1
13	CY-1A8160-65630	LABEL, CRUISE	1
14	CY-1A8160-65740	LABEL, RANGE2-3	1
15	CY-1A8160-65750	LABEL, 4WD	1
16	CY-1A8160-65770	LABEL, RANGE1	1
17	CY-1A8160-65800	EMBLEM, SMV CMP	1
18	CY-26106-060202	BOLT M 6X 20 PLATED	2
19	CY-1A8160-64710	LABEL NAME EX3200	2
20	CY-1A8160-65590	LABEL M	1
21		OPERATOR'S MANUAL (AVAILABLE ONLINE MANUALS)	1

FIG. 103. LABELS (SAFETY)

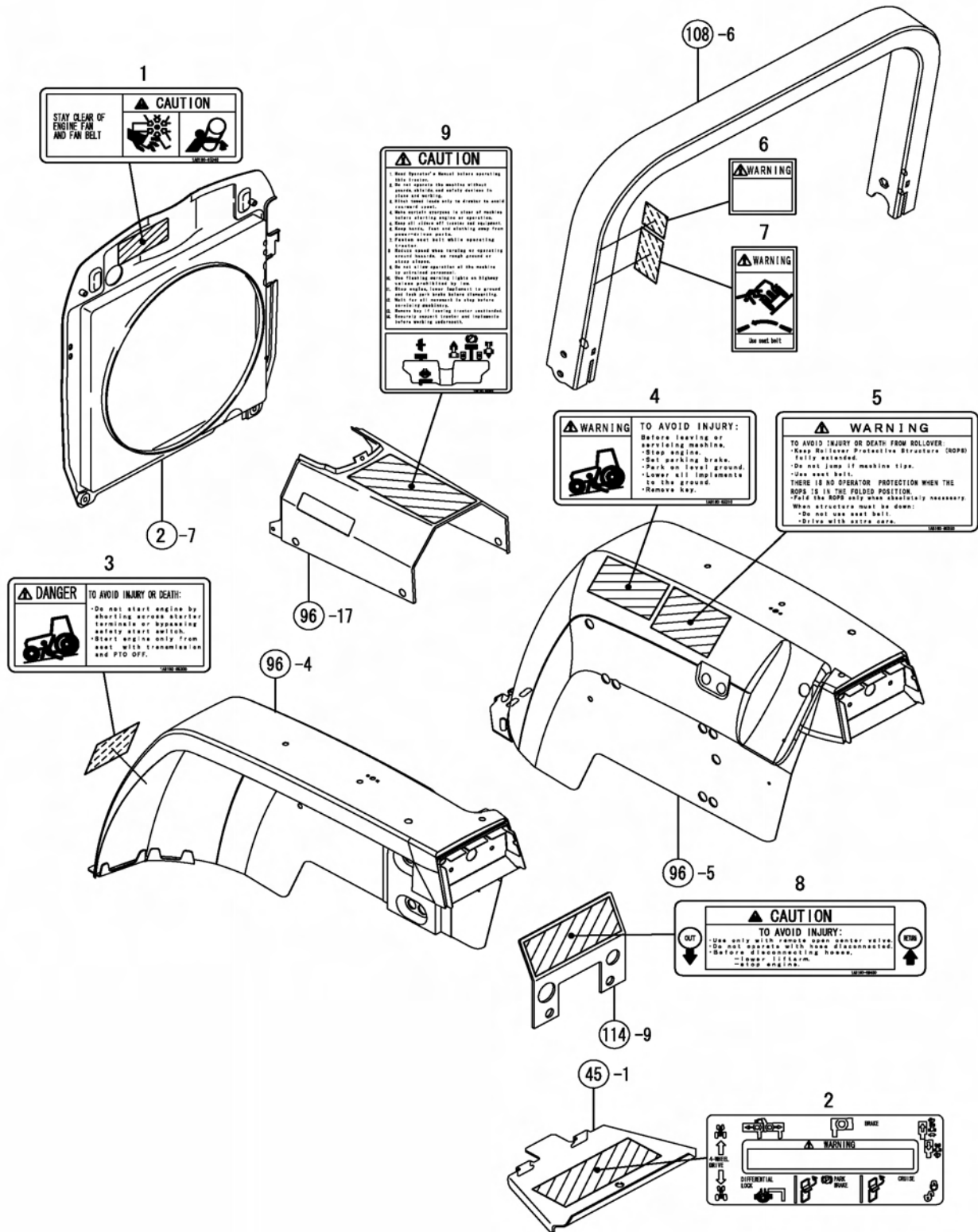


FIG. 103. LABELS (SAFETY)

REF NO.	PART NUMBER	DESCRIPTION	QTY
1	CY-1A8160-65340	LABEL, CAUTION, FAN	1
2	CY-198220-65621	LABEL, P.T.O. WARNING	1
3	CY-1A8160-65300	LABEL, DANGER, START	1
4	CY-1A8160-65310	LABEL, WARNIBG, STOP	1
5	CY-1A8160-65350	LABEL, WARNING, ROPS	1
6	CY-1A8160-85170	SAFETY DECAL	1
7	CY-1A8160-85180	SAFETY DECAL (BELT)	1
8	CY-1A8160-65400	LABEL, CAUTION, REAR	1
9	CY-1A8160-65320	LABEL, CAUTION	1

FIG. 104. THREE POINT LINK

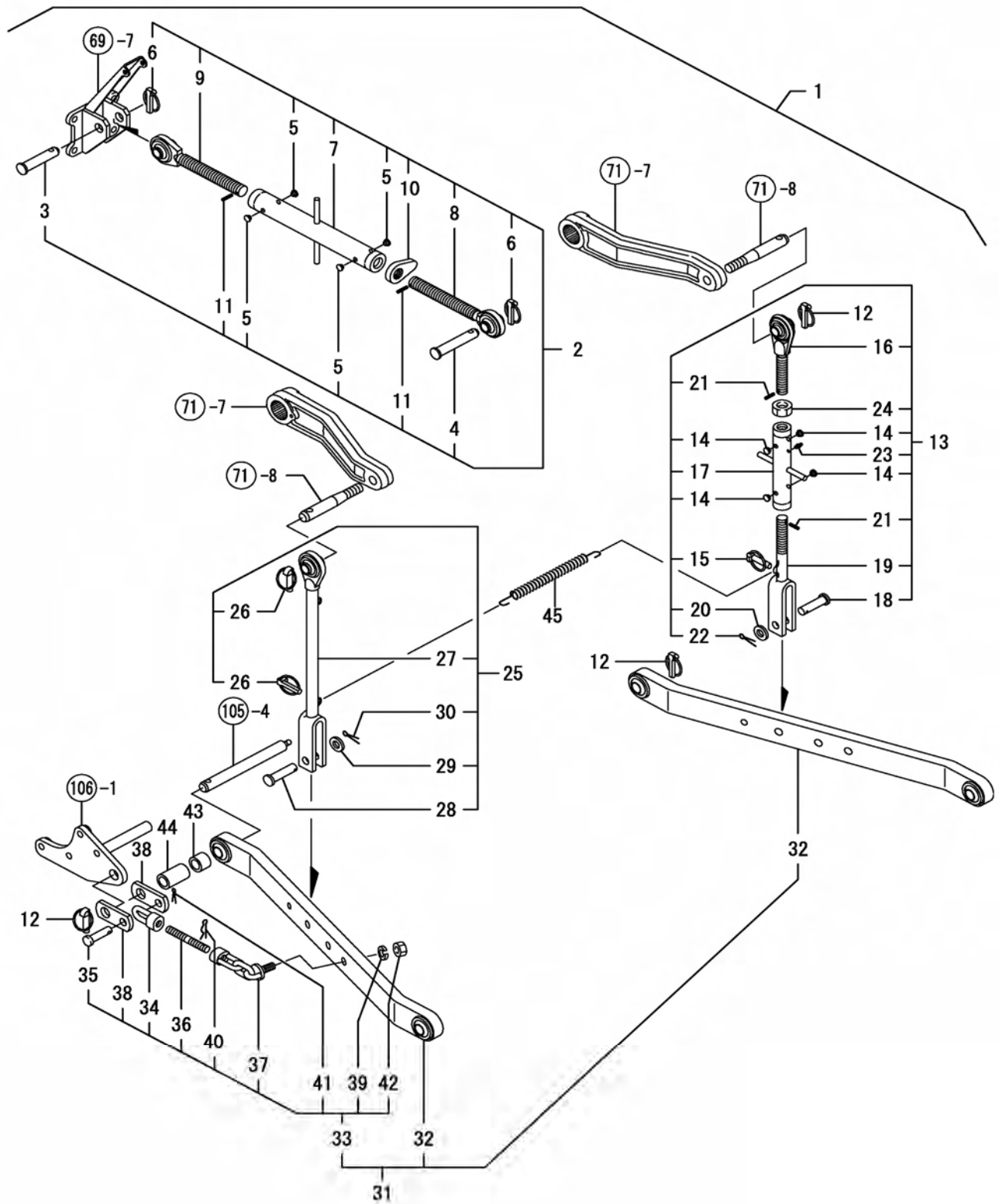
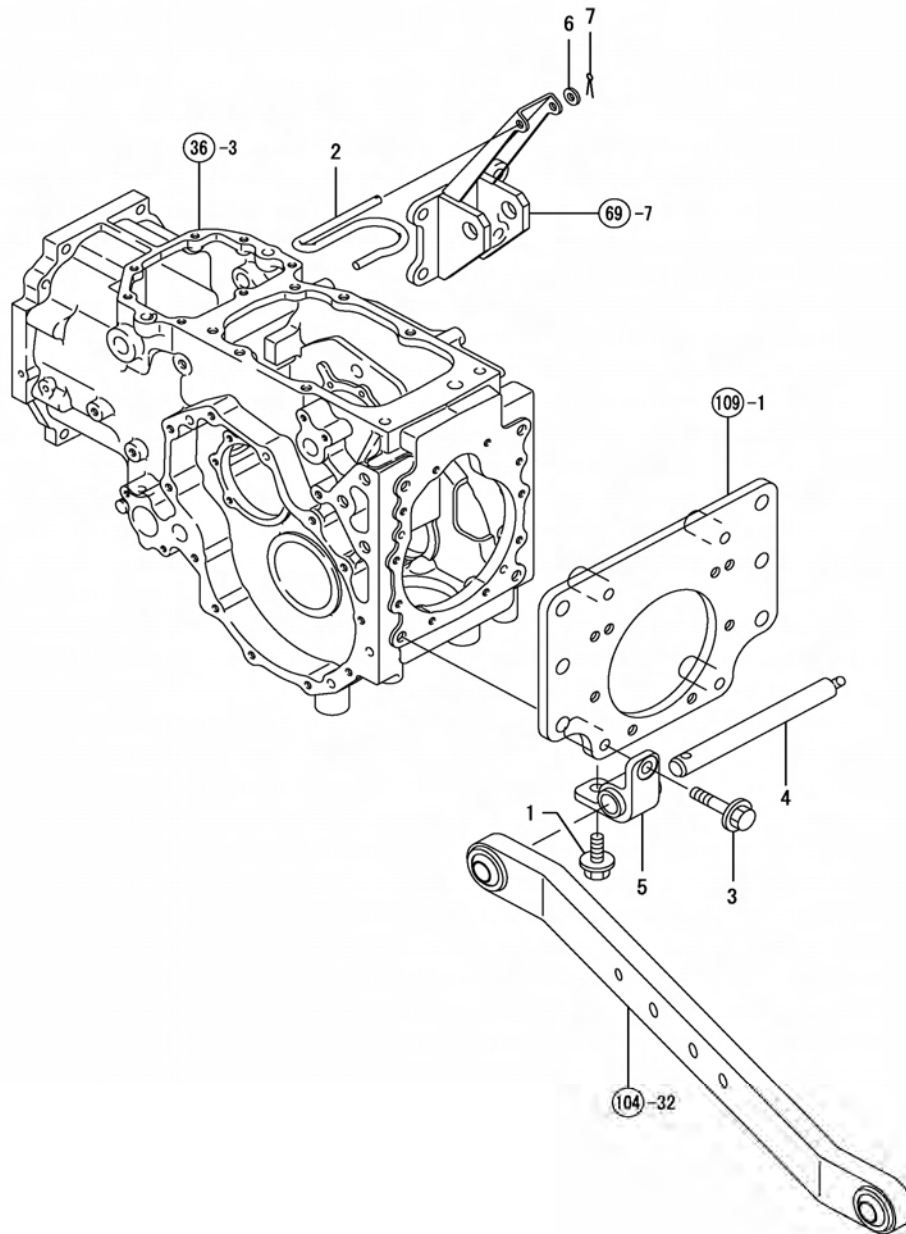


FIG. 104. THREE POINT LINK

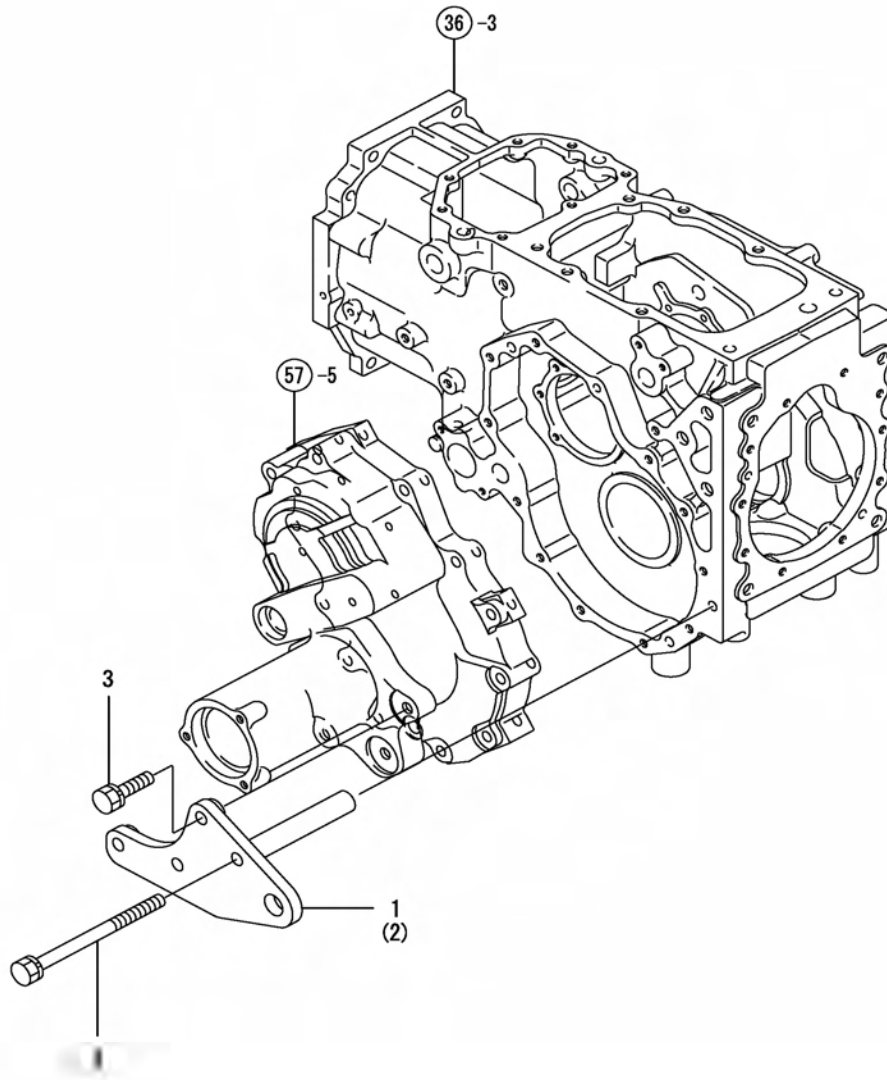
REF NO.	PART NUMBER	DESCRIPTION	QTY
1	CY-1A8160-71000	3P LINK KIT	1
2	CY-1A7335-71100	TOP LINK KIT	1
3	CY-1A7335-71230	PIN, TOP LINK	1
4	CY-1A7335-71240	PIN	1
5	CY-1A7335-71250	CAP	4
6	CY-1A7335-71410	LYNCH PIN ASSY	2
7	CY-1A7335-71500	TURNBUCKLE	1
8	CY-1A7335-71600	END	1
9	CY-1A7335-71700	END	1
10	CY-1A7335-71750	LOCK WASHER	1
11	CY-22351-050025	SPRING PIN 5X25	2
12	CY-1A7335-71410	LYNCH PIN ASSLY	3
13	CY-1A7335-72100	ADJ. LIFT ROD ASSY	1
14	CY-1A7335-71250	CAP	4
15	CY-1A7335-71410	LYNCH PIN ASSLY	1
16	CY-1A7335-72200	LINK	1
17	CY-1A7335-72230	TURNBUCKLE (LIFT LINK)	1
18	CY-198234-72550	PIN	1
19	CY-1A7335-72800	KIT	1
20	CY-22137-160000	WASHER 16, POLISHED	1
21	CY-22351-050022	SPRING PIN 5X22	2
22	CY-22417-320320	COTTER PIN 3.2X32	1
23	CY-24761-060000	FITTING, 6	1
24	CY-26756-200002	LOCK NUT M20 PLATED	1
25	CY-1A7335-72500	FIXED LIFT ROD ASSY	1
26	CY-1A7335-71410	LYNCH PIN ASSLY	2
27	CY-1A7335-72530	LINK	1
28	CY-198234-72550	PIN	1
29	CY-22137-160000	WASHER 16, POLISHED	1
30	CY-22417-320320	COTTER PIN 3.2X32	1
31	CY-1A7335-73400	LINK & CHAIN KIT	2
32	CY-1A7335-73100	DRAFT LINK	2
33	CY-1A7335-74600	CHAIN STABILIZER ASSY	2
34	CY-194197-74641	NUT, CHAIN	2
35	CY-198240-74641	PIN, SHACKLE	2
36	CY-198220-74670	BOLT CMP., CHK. CHAIN	2
37	CY-198220-74800	SWAY CHAIN, REAR COMP	2
38	CY-198220-75850	PLATE, SWAY CHAIN	4
39	CY-22217-140000	SPRING WASHER 14	2
40	CY-22360-180000	SNAP PIN 18	2
41	CY-22417-400250	COTTER PIN 4.0X25	2
42	CY-26716-140002	NUT M14	2
43	CY-198220-73140	COLLAR	2
44	CY-198220-73240	COLLAR	2
45	CY-198220-73250	SPRING	1

FIG. 105. DRAFT PIN & TOP HOOK



REF NO.	PART NUMBER	DESCRIPTION	QTY
1	CY-198220-11510	BOLT 12X27	2
2	CY-1A7335-71550	SPRING, HOOK	1
3	CY-198220-85390	BOLT 12*75	2
4	CY-198220-73151	PIN, DRAFT LINK	2
5	CY-1A7335-73160	SUPPORT, LOWER HINGE	2
6	CY-22137-080000	WASHER 8, POLISHED	1
7	CY-22417-300250	COTTER PIN 3.0X 25	1

FIG. 106. CHECK CHAIN BRACKET



REF NO.	PART NUMBER	DESCRIPTION	QTY
1	CY-1A7335-74760	BRACKET ASSY CHAIN L	1
2	CY-1A7335-74770	SWAY CHAIN BKT R CMP	1
3	CY-26013-120402	BOLT M12X 40	6
4	CY-26013-121602	BOLT, 12 X 160	2

FIG. 107. DRAW BAR HITCH

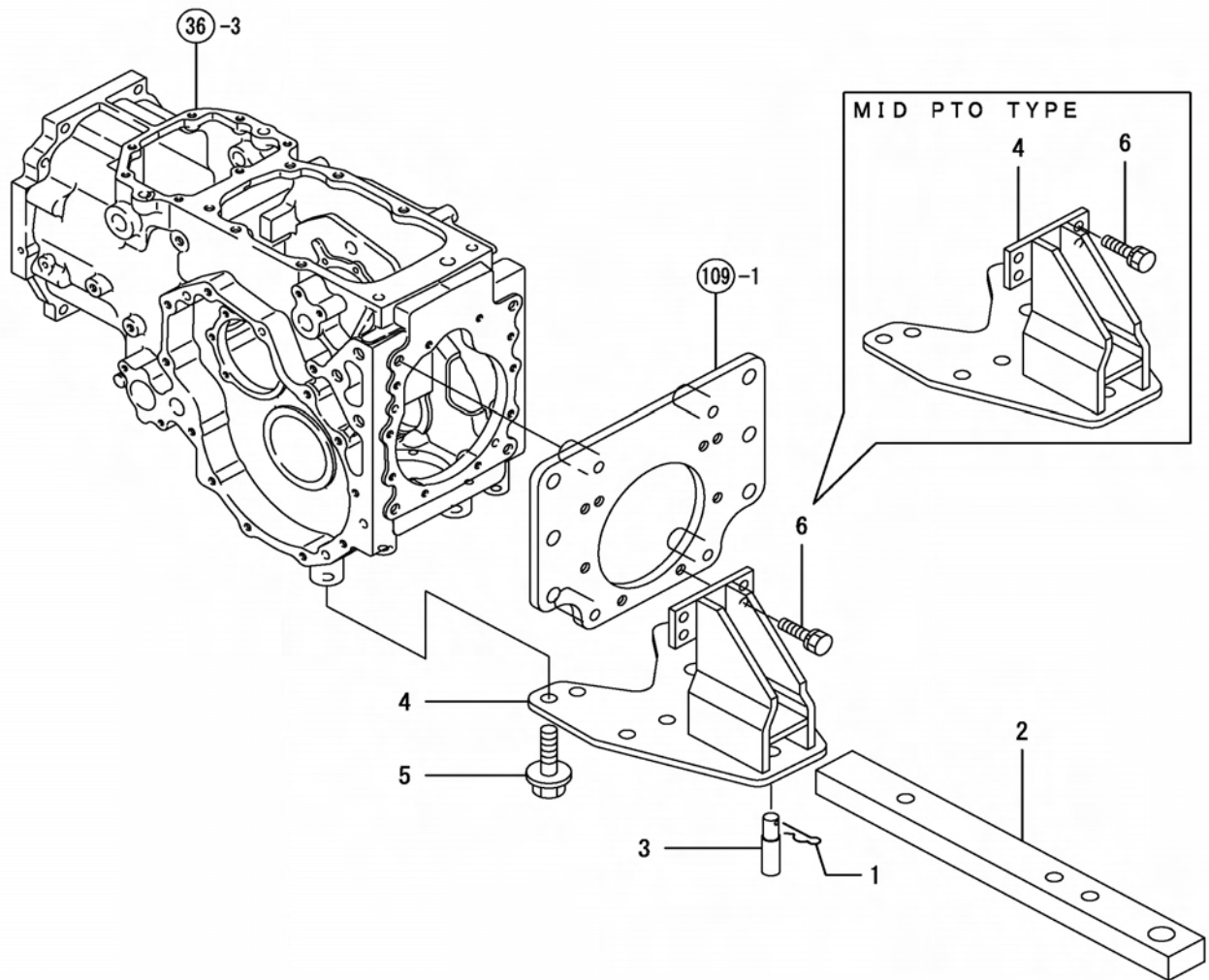


FIG. 107. DRAW BAR HITCH

REF NO.	PART NUMBER	DESCRIPTION	QTY
1	CY-195230-17260	PIN 22, SNAP	1
2	CY-198220-75210	DRAWBAR	1
3	CY-198253-75430	PIN, HITCH	1
4	CY-198220-75700	BRACKET, DRAWBAR	1
5	CY-198220-75800	BOLT M16X 33	2
6	CY-26013-120252	BOLT M12X 25	2

FIG. 108. SAFETY FRAME

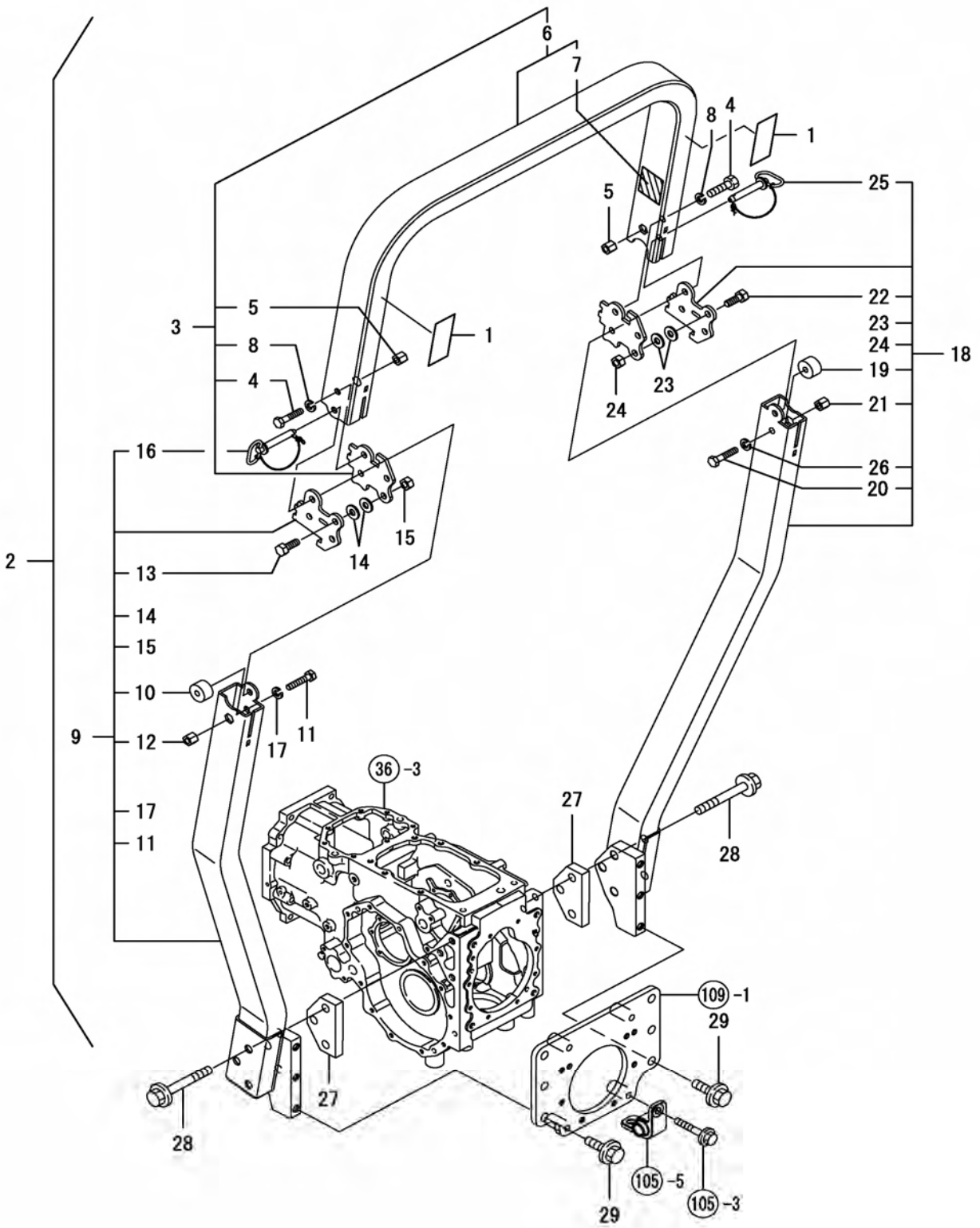
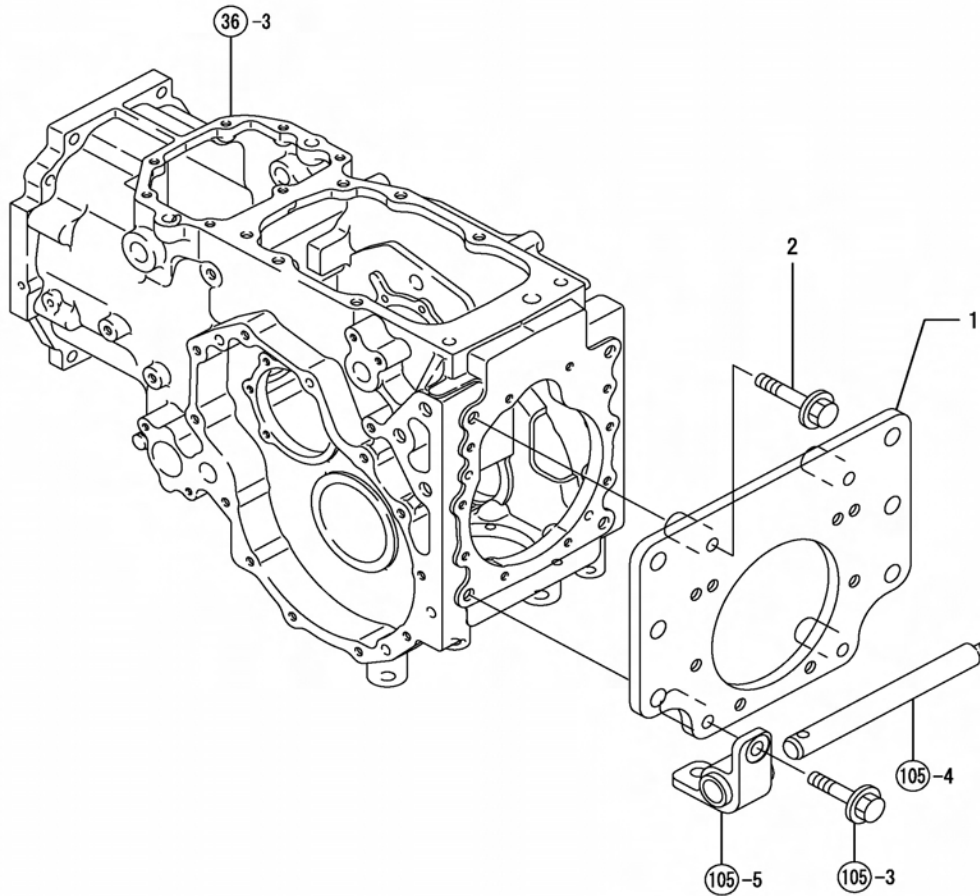


FIG. 108. SAFETY FRAME

REF NO.	PART NUMBER	DESCRIPTION	QTY
1	CY-1A8160-65860	TAPE, REFLECTION	2
2	CY-1A8160-85010	ROPS ASSY	1
3	CY-1A8160-85260	UPPER TUBE ASSY	1
4	CY-1A8160-85070	BOLT 1/2-20X2.25	2
5	CY-1A8160-85080	NUT 1/2-20	2
6	CY-1A8160-85150	UPPER TUBE COMP	1
7	CY-1A8160-85190	ROPS DECAL	1
8	CY-1A8160-85200	WASHER 1/2	2
9	CY-1A8160-85270	LOWER FRAME ASSY L	1
10	CY-1A8160-85060	POLY CYLINDER	1
11	CY-1A8160-85070	BOLT 1/2-20X2.25	1
12	CY-1A8160-85080	NUT 1/2-20	1
13	CY-1A8160-85090	BOLT 1/2-13X1.25	1
14	CY-1A8160-85100	WASHER	2
15	CY-1A8160-85110	NUT 1/2-13	1
16	CY-1A8160-85120	HITCH PIN CMP	1
17	CY-1A8160-85200	WASHER 1/2	1
18	CY-1A8160-85280	LOWER FRAME ASSY R	1
19	CY-1A8160-85060	POLY CYLINDER	1
20	CY-1A8160-85070	BOLT 1/2-20X2.25	1
21	CY-1A8160-85080	NUT 1/2-20	1
22	CY-1A8160-85090	BOLT 1/2-13X1.25	1
23	CY-1A8160-85100	WASHER	2
24	CY-1A8160-85110	NUT 1/2-13	1
25	CY-1A8160-85120	HITCH PIN CMP	1
26	CY-1A8160-85200	WASHER 1/2	1
27	CY-1A8160-85140	PLATE, SPACER	2
28	CY-198220-85270	BOLT.16*120	6
29	CY-198220-85290	BOLT 16*40	6

THIS PAGE INTENTIONALLY LEFT BLANK

FIG. 109. REAR BRACKET



REF NO.	PART NUMBER	DESCRIPTION	QTY
1	CY-19822085301F	PLATE REAR COMP	1
2	CY-198220-85330	BOLT 12*65 (RM)	2

FIG. 110. MID P.T.O. KIT 59A40014727 (OPTIONAL)

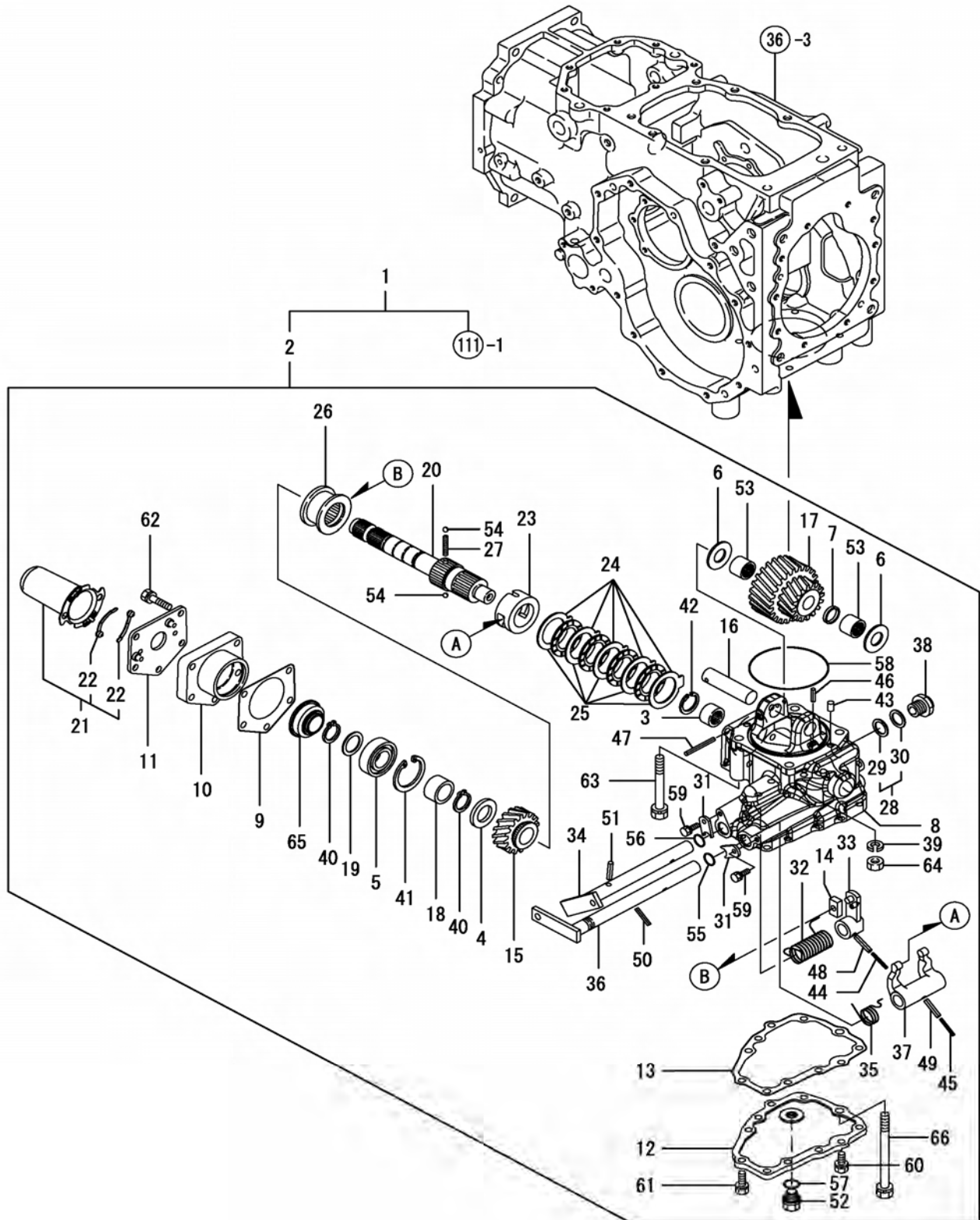


FIG. 110. MID P.T.O. KIT 59A40014727 (OPTIONAL)

REF NO.	PART NUMBER	DESCRIPTION	QTY	REF NO.	PART NUMBER	DESCRIPTION	QTY
1	N/A	MID PTO KIT, EX3200	1	34	CY-198220-27720	SHAFT, MID PTO SHIFT	1
2	CY-1A8160-26610	MID PTO, MISSION KIT	1	35	CY-198220-27840	SPRING	1
3	CY-194505-24160	NEEDLE 20/16	1	36	CY-198220-27850	SHAFT, MID PTO BRAKE	1
4	CY-194065-25340	WASHER 25X42X4.8	1	37	CY-198220-27860	LEVER, MID PTO BRAKE	1
5	CY-194640-25390	BALL BEARING	1	38	CY-194464-52190	SWITCH, SAFETY START	1
6	CY-194190-26351	WASHER 20X41X2.5	2	39	CY-22217-100000	SPRING WASHER 10	1
7	CY-198220-26570	WASHER 20.5*25*4	1	40	CY-22242-000250	CIRCLIP 25S	2
8	CY-198220-26711	CASE, MID PTO DRIVE	1	41	CY-22252-000520	CIRCLIP 52	1
9	CY-198220-26730	GASKET, CASE	1	42	CY-22262-000280	CIRCLIP 28	1
10	CY-198220-26740	CASE, SEAL	1	43	CY-22312-080120	PARALLEL PIN 8X12	2
11	CY-198220-26750	COVER	1	44	CY-22351-035028	SPRING PIN 3.5X28	1
12	CY-198220-26761	COVER, MID PTO CASE	1	45	CY-22351-035028	SPRING PIN 3.5X28	1
13	CY-198220-26771	GASKET, CASE COVER	1	46	CY-22351-050020	SPRING PIN 5X20	1
14	CY-198220-26790	SHOE. SHIFTER	1	47	CY-22351-050050	SPRING PIN 5X50	1
15	CY-198220-26800	GEAR, MID PTO DRIVE	1	48	CY-22351-060028	SPRING PIN 6X28	1
16	CY-198220-26810	SHAFT, IDLER	1	49	CY-22351-060028	SPRING PIN 6X28	1
17	CY-198220-26820	GEAR, IDLER	1	50	CY-22351-060028	SPRING PIN 6X28	1
18	CY-198220-26830	COLLAR 25*34*19.4	1	51	CY-22351-060028	SPRING PIN 6X28	1
19	CY-194190-26840	SPACER 25X36X1.6	1	52	CY-23491-140002	PLUG 14	1
20	CY-198220-26840	SHAFT, MID PTO DRIVE	1	53	CY-24161-202620	NEEDLE BEARING	2
21	CY-194850-26850	COVER ASSY, SHAFT	1	54	CY-24190-080001	BALL 1/4, STEEL	2
22	CY-194850-26870	SPRING, SHIFT COVER	2	55	CY-24311-000125	O-RING 1A P-12.5	1
23	CY-198220-26850	ACTUATOR	1	56	CY-24311-000125	O-RING 1A P-12.5	1
24	CY-198220-26860	STEEL PLATE	5	57	CY-24311-000160	O-RING 1A P-16.0	1
25	CY-198220-26870	SHOE. MID PTO BRAKE	4	58	CY-24321-001000	O-RING 1A G-100.0	1
26	CY-198220-26890	SLIDER, MID PTO	1	59	CY-26013-060122	BOLT M 6X 12	2
27	CY-198220-26910	SPRING	1	60	CY-26013-080162	BOLT W/WASHER M8X16	1
28	CY-198220-26930	PACKING KIT	1	61	CY-26013-080202	BOLT W/WASHER M8X20	6
29	CY-198220-26940	PACKING 18	1	62	CY-26013-080352	BOLT M 8X 35	5
30	CY-23414-180000	GASKET 18, ROUND	1	63	CY-26013-100852	BOLT W/WASHER 10X 85	2
31	CY-198230-27540	PLATE	2	64	CY-26716-100002	NUT 10	1
32	CY-198220-27600	SPRING	1	65	CY-933147-10350	SEAL QLF 25471121	1
33	CY-198220-27690	ARM, MID PTO SHIFT	1	66	CY-26013-101202	BOLT W/WASHER 10X120	1

FIG. 111. MID P.T.O. KIT 59A40014727 CONTROLS (OPTIONAL)

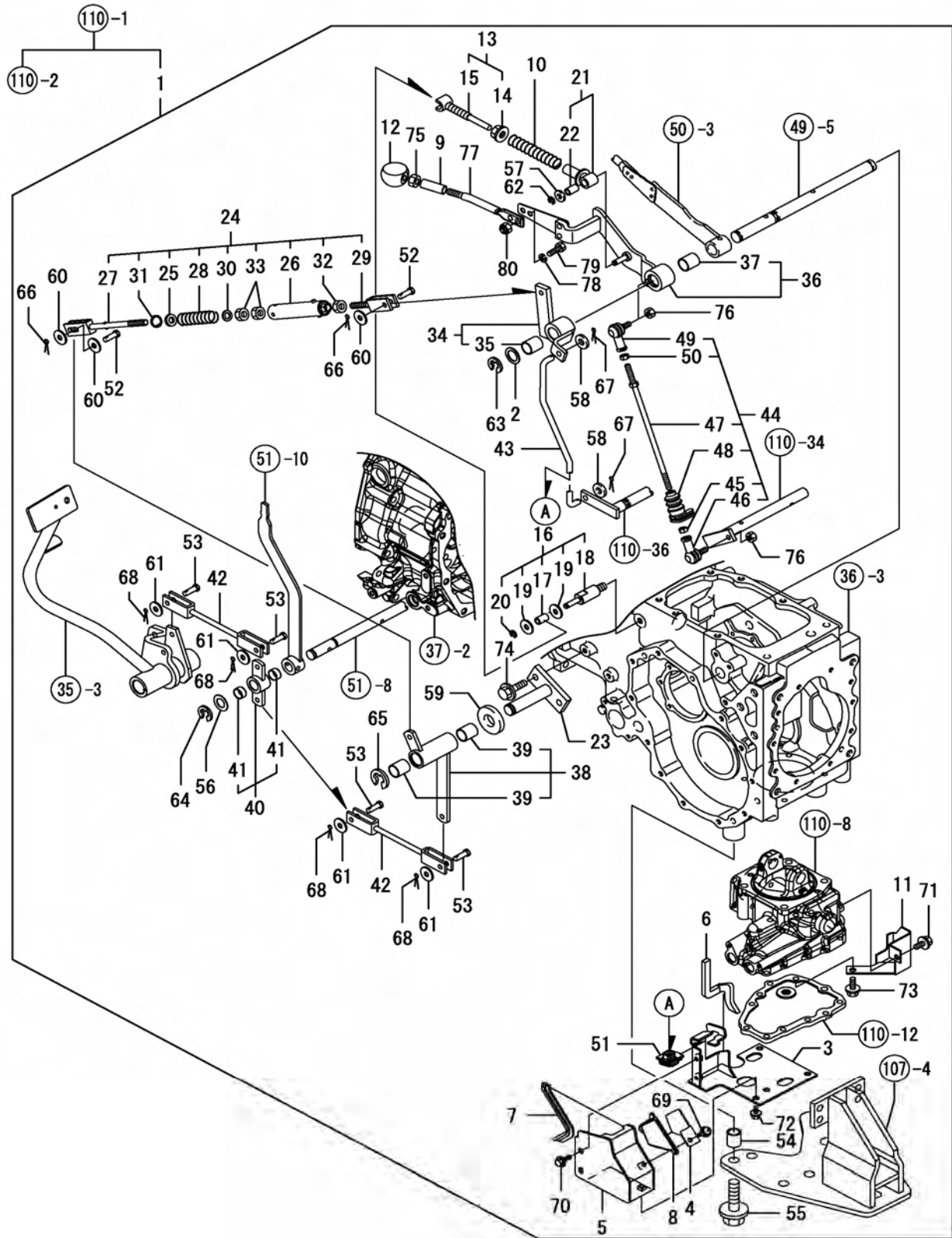
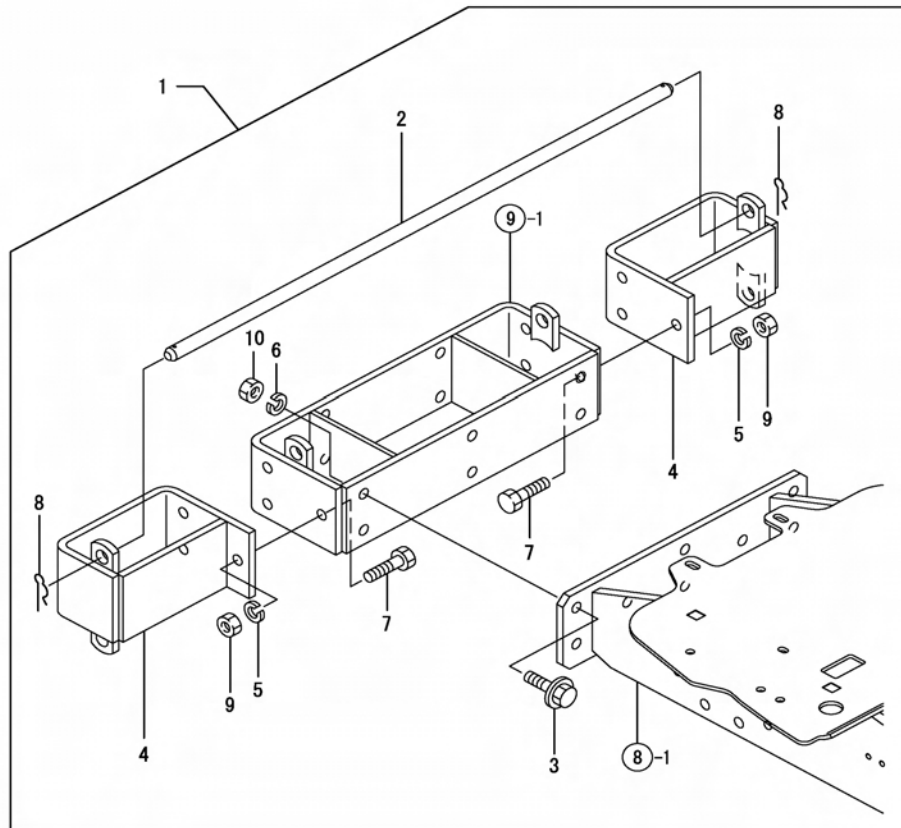


FIG. 111. MID P.T.O. KIT 59A40014727 CONTROLS (OPTIONAL)

REF NO.	PART NUMBER	DESCRIPTION	QTY	REF NO.	PART NUMBER	DESCRIPTION	QTY
1	N/A	MID PTO, EXTERIOR KIT	1	41	CY-1E4440-24050	BUSH 17X19X10	2
2	CY-194191-13350	SPACER 20X30X1.6	1	42	CY-1A8160-27900	ROD, MID PTO BRAKE	2
3	CY-198230-26600	COVER (A), MID PTO	1	43	CY-198220-27940	ROD, MID PTO BRAKE	1
4	CY-198230-26630	COVER (C), MID PTO	1	44	CY-198234-27980	END ASSY, ROD	1
5	CY-198230-26650	COVER (B), MID PTO	1	45	CY-194990-20170	NUT W/WASHER 8	1
6	CY-198230-26710	RUBBER (A)	1	46	CY-194820-27370	END (L), ROD	1
7	CY-198230-26720	RUBBER (B)	1	47	CY-198220-27750	ROD,MID	1
8	CY-198230-26730	RUBBER (C)	1	48	CY-198220-28260	BELLOWS (B)	1
9	CY-198220-26990	HOSE, PROTECTION	1	49	CY-172112-41980	BEARING, ROD-END	1
10	CY-198220-27230	SPRING, MID PTO	1	50	CY-26716-080002	NUT M 8	1
11	CY-1A8160-27250	COVER, SWITCH	1	51	CY-198220-28250	BELLOWS (A)	1
12	CY-198220-27390	KNOB, MID PTO LEVER	1	52	CY-198220-37900	PIN 8X24	2
13	CY-198220-27400	SPRING SUPPORT ASSY	1	53	CY-198220-37900	PIN 8X24	4
14	CY-194065-23140	SEAT, SPRING	1	54	CY-198220-75120	COLLAR 17*25*22	2
15	CY-198220-27240	ROD, SPRING	1	55	CY-198220-75810	BOLT M16X 55 PLATED	2
16	CY-198220-27460	SPRING PIVOT	1	56	CY-1E4132-99600	LINER 17.2X30X1	1
17	CY-194180-05270	BUSH 8X12X20	1	57	CY-22137-080000	WASHER 8, POLISHED	1
18	CY-198220-27790	BOLT	1	58	CY-22137-100000	WASHER 10, POLISHED	2
19	CY-22157-080000	WASHER 8	2	59	CY-22137-200000	WASHER 20, POLISHED	1
20	CY-22272-000070	CIRCLIP E- 7	1	60	CY-22157-080000	WASHER 8	3
21	CY-198220-27470	SPRING END ASSY	1	61	CY-22157-080000	WASHER 8	4
22	CY-194180-05270	BUSH 8X12X20	1	62	CY-22272-000070	CIRCLIP E- 7	1
23	CY-198220-27580	SHAFT	1	63	CY-22272-000150	CIRCLIP E-15	1
24	CY-198220-27620	SPRING CAPSULE ASSY	1	64	CY-22272-000150	CIRCLIP E-15	1
25	CY-194150-01270	SPACER 20	1	65	CY-22272-000190	CIRCLIP E-19	1
26	CY-198220-27610	HOLDER, SPRING	1	66	CY-22417-250300	COTTER PIN 2.5X30	2
27	CY-198220-27770	ROD,MID PTO BRAKE	1	67	CY-22417-250300	COTTER PIN 2.5X30	2
28	CY-198220-27880	SPRING	1	68	CY-22417-250300	COTTER PIN 2.5X30	4
29	CY-194130-37750	JOINT (RH SCREW)	1	69	CY-26023-060122	SCREW M 6X 12	1
30	CY-22117-100000	WASHER 10	1	70	CY-26106-060122	BOLT M 6X 12 PLATED	3
31	CY-22252-000200	CIRCLIP 20	1	71	CY-26106-080162	BOLT M 8X 16 PLATED	1
32	CY-26716-100002	NUT 10	1	72	CY-26106-080202	BOLT M 8X 20 PLATED	3
33	CY-26716-100002	NUT 10	2	73	CY-26106-080202	BOLT M 8X 20 PLATED	1
34	CY-198220-27710	BELL-CRANK ASSY	1	74	CY-26106-100252	BOLT M10X 25 PLATED	2
35	CY-24550-020250	BEARING 20X25	1	75	CY-26716-100002	NUT 10	1
36	CY-1A8160-27760	LEVER, MID PTO CMP	1	76	CY-26986-080002	NUT 8, LOCK	2
37	CY-24550-020250	BEARING 20X25	1	77	CY-198220-27910	LEVER	1
38	CY-1A8160-27800	ARM,MID KIT	1	78	CY-22217-050000	SPRING WASHER 5	2
39	CY-24550-020250	BEARING 20X25	2	79	CY-26116-050162	BOLT M 5X 16 PLATED	2
40	CY-1A8160-27840	ARM, MID PTO ASSY	1	80	CY-26346-050002	U-NUT, 5	2

THIS PAGE INTENTIONALLY LEFT BLANK

FIG. 112. FRONT WEIGHT BRACKET EXTENSIONS (OPTIONAL)



REF NO.	PART NUMBER	DESCRIPTION	QTY
1	CY-1A8160-11900	BRACKET KIT, FRONT WEIGHT	1
2	CY-198220-11350	PIN, WEIGHT LOCK	1
3	CY-198220-11520	BOLT 12X38	6
4	CY-198220-11900	BRACKET, FRONT	2
5	CY-194274-13580	SPRING WASHER 12	6
6	CY-194274-13580	SPRING WASHER 12	6
7	CY-194465-13650	BOLT M12X32	6
8	CY-22372-160000	SNAP PIN 16	2
9	CY-26716-120002	NUT 12	6
10	CY-26716-120002	NUT 12	6

FIG. 113. POWER BEYOND KIT 59A40022727 (OPTIONAL)

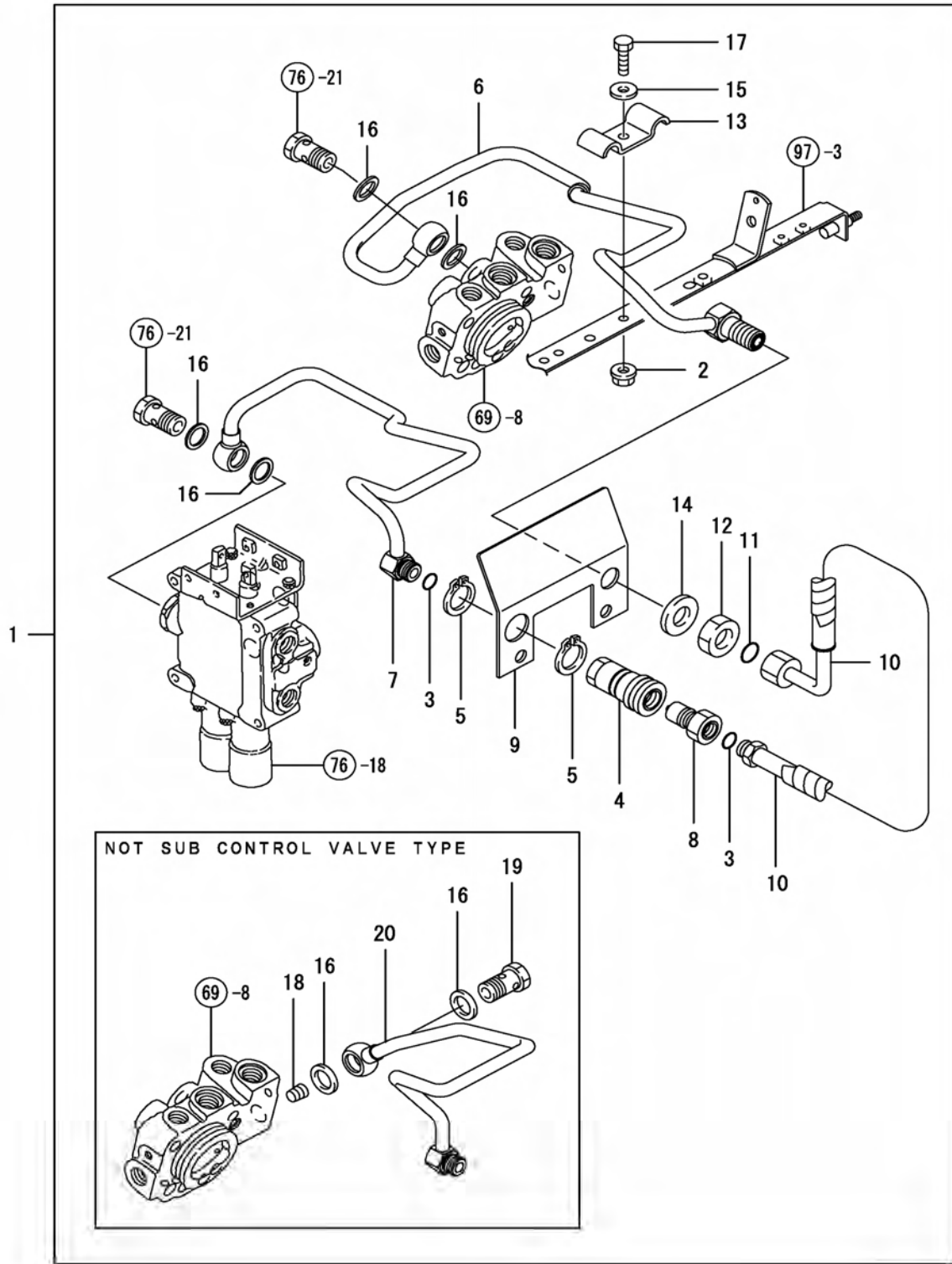
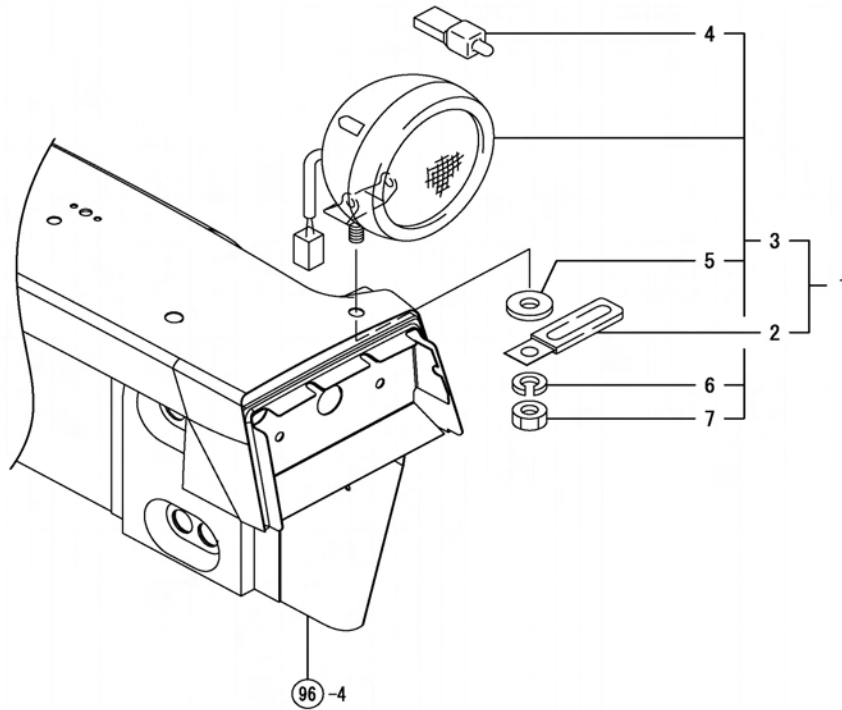


FIG. 113. POWER BEYOND KIT 59A40022727 (OPTIONAL)

REF NO.	PART NUMBER	DESCRIPTION	QTY
1	N/A	REAR AUX.HYD. KIT EX3200	1
2	CY-194990-22140	NUT W/WASHER 8	1
3	CY-194464-45930	O-RING 8-1	2
4	CY-1A8160-46250	COUPLER, QUICK 3/8F	1
5	CY-198240-46260	SNAP RING	2
6	CY-1A8160-48510	LINE, PRESSURE	1
7	CY-1A8160-48540	LINE, PRESSURE	1
8	CY-1A8160-48820	COUPLER, QUICK 3/8M	1
9	CY-1A8160-48890	BRACKET CMP	1
10	CY-1A8160-48910	HOSE, REAR HYDRAULIC	1
11	CY-1A8160-48920	PACKING,CH178X0124H	1
12	CY-198165-48920	NUT 13/16	1
13	CY-198220-48950	CLAMP	1
14	CY-22137-200000	WASHER 20,POLISHED	1
15	CY-22157-080000	WASHER 8	1
16	CY-23414-190000	PACKING -19	4
17	CY-26116-080202	BOLT M 8X 20 PLATED	1
18	CY-198245-42160	PLUG NPTF1/4 - (NOT FOR SUB CONTROL VALVE TYPE)	1
19	CY-198245-46680	BOLT 3/4-16 - (NOT FOR SUB CONTROL VALVE TYPE)	2
20	CY-1A8160-48570	LINE, PRESSURE - (NOT FOR SUB CONTROL VALVE TYPE)	1

FIG. 114. WORK LAMP (OPTIONAL)



REF NO.	PART NUMBER	DESCRIPTION	QTY
1	CY-1A8160-53300	WORK LAMP KIT	1
2	CY-194180-51640	CLAMP, WIRE HARNESS	1
3	CY-1A7340-54100	WORK LAMP ASSY, SW	1
4	CY-1A7470-86270	BULB, 12V-35W	1
5	CY-22137-100000	WASHER 10, POLISHED	1
6	CY-22217-100000	SPRING WASHER 10	1
7	CY-26736-100002	NUT M10	1

THIS PAGE INTENTIONALLY LEFT BLANK



Ex Series Compact Tractor

Ex3200

Cub Cadet Yanmar LLC
P.O. Box 361052
Cleveland, OH 44136-1052