



PRELIMINARY

CYBT-423028-02

EZ-BT™ WICED® Module

General Description

The CYBT-423028-02 is a dual-mode Bluetooth® BR/EDR and Low Energy (BLE) wireless module solution. The CYBT-423028-02 includes onboard crystal oscillators, passive components, and the Cypress CYW20719 silicon device.

The CYBT-423028-02 supports a number of peripheral functions (ADC, PWM), as well as multiple serial communication protocols (UART, SPI, I²C, I²S). The CYBT-423028-02 includes a royalty-free BLE stack compatible with Bluetooth 5.0 in a small 11.0 × 11.0 × 1.70mm module form-factor.

The CYBT-423028-02 includes an integrated chip antenna, is qualified by Bluetooth SIG, and includes regulatory certification approval for FCC, ISED, MIC, and CE.

Module Description

- Module size: 11.00 mm × 11.00 mm × 1.70 mm
- Complies with Bluetooth Core Specification version 5.0 and includes support for BR, EDR 2/3 Mbps, eSCO, BLE, and LE 2 Mbps features.
 - QDID: TBD
 - Declaration ID: TBD
- Certified to FCC, ISED, MIC, and CE standards
- 1024-KB flash memory, 512-KB SRAM memory
- Extended Industrial temperature range: -30 °C to +85 °C
- Integrated ARM Cortex-M4 microprocessor core with floating point unit (FPU)
- Watchdog timer

Power Consumption

- Maximum TX output power: +4.0 dbm
- RX Receive Sensitivity: -95.5 dbm
- Received signal strength indicator (RSSI) with 1-dB resolution
- TX current consumption
 - BLE silicon: 5.6 mA (MCU + radio only, 0 dbm)
- RX current consumption
 - Bluetooth silicon: 5.9 mA (MCU + radio only)
- Cypress CYW20719 silicon low power mode support
 - PDS: 61 μA with 512 KB SRAM retention
 - SDS: 1.6 uA
 - HIDEOFF (External Interrupt): 400 nA

Functional Capabilities

- Σ-Δ ADC for audio (13 bits) and DC measurement (10 bits)
- UART (PUART), SPI, and I²C serial communication interfaces
- I²S/PCM audio interfaces
- Up to 6 16-bit PWMs
- Bluetooth Basic Rate (BR) and Enhanced Data Rate (EDR) Support
- BLE protocol stack supporting generic access profile (GAP) Central, Peripheral, or Broadcaster roles
- Hardware Security Engine

Benefits

CYBT-423028-02 is fully integrated and certified solution that provides all necessary components required to operate Bluetooth communication standards.

- Proven hardware design ready to use
- Ultra-flexible supermux I/O designs allows maximum flexibility for GPIO function assignment
- Large non-volatile memory for complex application development
- Over-the-air update capable for development or field updates
- Bluetooth SIG qualified with QDID and Declaration ID
- WICED™ Studio provides an easy-to-use integrated design environment (IDE) to configure, develop, program, and test your Bluetooth application

More Information

Cypress provides a wealth of data at www.cypress.com to help you to select the right module for your design, and to help you to quickly and effectively integrate the module into your design.

References

- Overview: [EZ-BLE/EZ-BT Module Portfolio](#), [Module Roadmap](#)
- Development Kits:
 - [CYBT-423028-EVAL](#), CYBT-423028-02 Evaluation Board
 - [CYW920719Q40EVB-01](#), Evaluation Kit for CYW20719 silicon device
- Test and Debug Tools:
 - [CYSmart](#), Bluetooth® LE Test and Debug Tool (Windows)
 - [CYSmart Mobile](#), Bluetooth® LE Test and Debug Tool (Android/iOS Mobile App)
- Knowledge Base Article
 - [KBA97095](#) - EZ-BLE™ Module Placement
 - [KBA213976](#) - FAQ for BLE and Regulatory Certifications with EZ-BLE modules
 - [KBA210802](#) - Queries on BLE Qualification and Declaration Processes
 - [KBA218122](#) - 3D Model Files for EZ-BLE/EZ-BT Modules
 -

Development Environments

Wireless Connectivity for Embedded Devices (WICED) Studio Software Development Kit (SDK)

Cypress' [WICED®](#) (Wireless Connectivity for Embedded Devices) is a full-featured platform with proven Software Development Kits (SDKs) and turnkey hardware solutions from partners to readily enable Wi-Fi and Bluetooth® connectivity in system design.

WICED Studio is the only SDK for the Internet of Things (IoT) that combines Wi-Fi and Bluetooth into a single integrated development environment. In addition to providing WICED APIs and an application framework designed to abstract complexity, WICED Studio also leverages many common industry standards.

Technical Support

- [Cypress Community](#): Whether you're a customer, partner or a developer interested in the latest Cypress innovations, the Cypress Developer Community offers you a place to learn, share and engage with both Cypress experts and other embedded engineers around the world.
- [Frequently Asked Questions \(FAQs\)](#): Learn more about our Bluetooth ECO System.
- Visit our [support](#) page and create a [technical support case](#) or contact a [local sales representative](#). If you are in the United States, you can talk to our technical support team by calling our toll-free number: +1-800-541-4736. Select option 2 at the prompt.

Contents

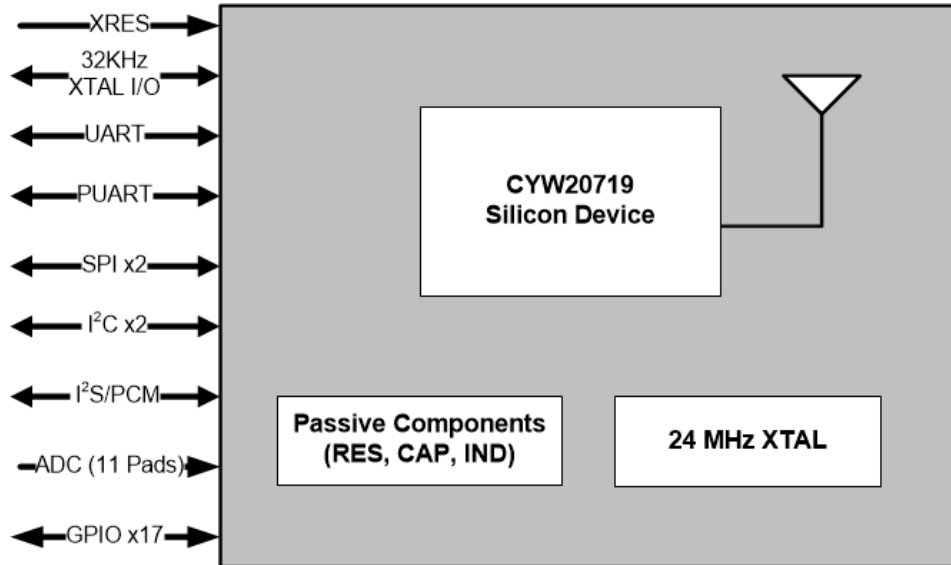
Overview	4	Firmware	24
Functional Block Diagram	4	Electrical Characteristics	25
Module Description.....	4	Core Buck Regulator	26
Pad Connection Interface	6	Digital LDO	26
Recommended Host PCB Layout	7	RF LDO	26
Module Connections	9	Digital I/O Characteristics.....	27
Connections and Optional External Components	11	Bluetooth Silicon Current Consumption	27
Power Connections (VDD)	11	Chipset RF Specifications	28
External Reset (XRES).....	11	Timing and AC Characteristics	30
HCI UART Connections	12	UART Timing.....	30
External Component Recommendation	12	SPI Timing.....	30
Critical Components List	14	BSC Interface Timing	32
Antenna Design.....	14	Environmental Specifications	36
Bluetooth Baseband Core	15	Environmental Compliance	36
Power Management Unit	16	RF Certification.....	36
Integrated Radio Transceiver	17	Safety Certification	36
Transmitter Path.....	17	Environmental Conditions	36
Receiver Path.....	17	ESD and EMI Protection	36
Local Oscillator	17	Regulatory Information	37
Microcontroller Unit	18	FCC.....	37
On-Chip Flash	18	ISED.....	38
External Reset.....	18	European Declaration of Conformity	39
Peripheral and Communication Interfaces	19	MIC Japan	39
I2C.....	19	Packaging	40
UART (HCI UART) Interface	19	Ordering Information	42
Peripheral UART Interface	19	Acronyms	43
Serial Peripheral Interface.....	19	Document Conventions	43
32 kHz Crystal Oscillator.....	20	Units of Measure	43
ADC Port	21	Document History Page	44
GPIO Ports	21	Sales, Solutions, and Legal Information	45
PWM.....	21	Worldwide Sales and Design Support.....	45
PDM Microphone.....	22	Products	45
I2S Interface	22	PSoC® Solutions	45
PCM Interface	23	Cypress Developer Community.....	45
Security Engine	23	Technical Support	45
Power Modes	24		

Overview

Functional Block Diagram

Figure 1 illustrates the CYBT-423028-02 functional block diagram.

Figure 1. Functional Block Diagram



Note: General Purpose Input/Output pins shown in Figure 1 are configurable to any specified input or output function in the SuperMux table detailed in Table 5 in the Module Connections section.

Note: Connections shown in the above block diagram are maximum number of connections per function. The total number of GPIOs available on the CYBT-423028-02 is 17.

Module Description

The CYBT-423028-02 module is a complete module designed to be soldered to the applications main board.

Module Dimensions and Drawing

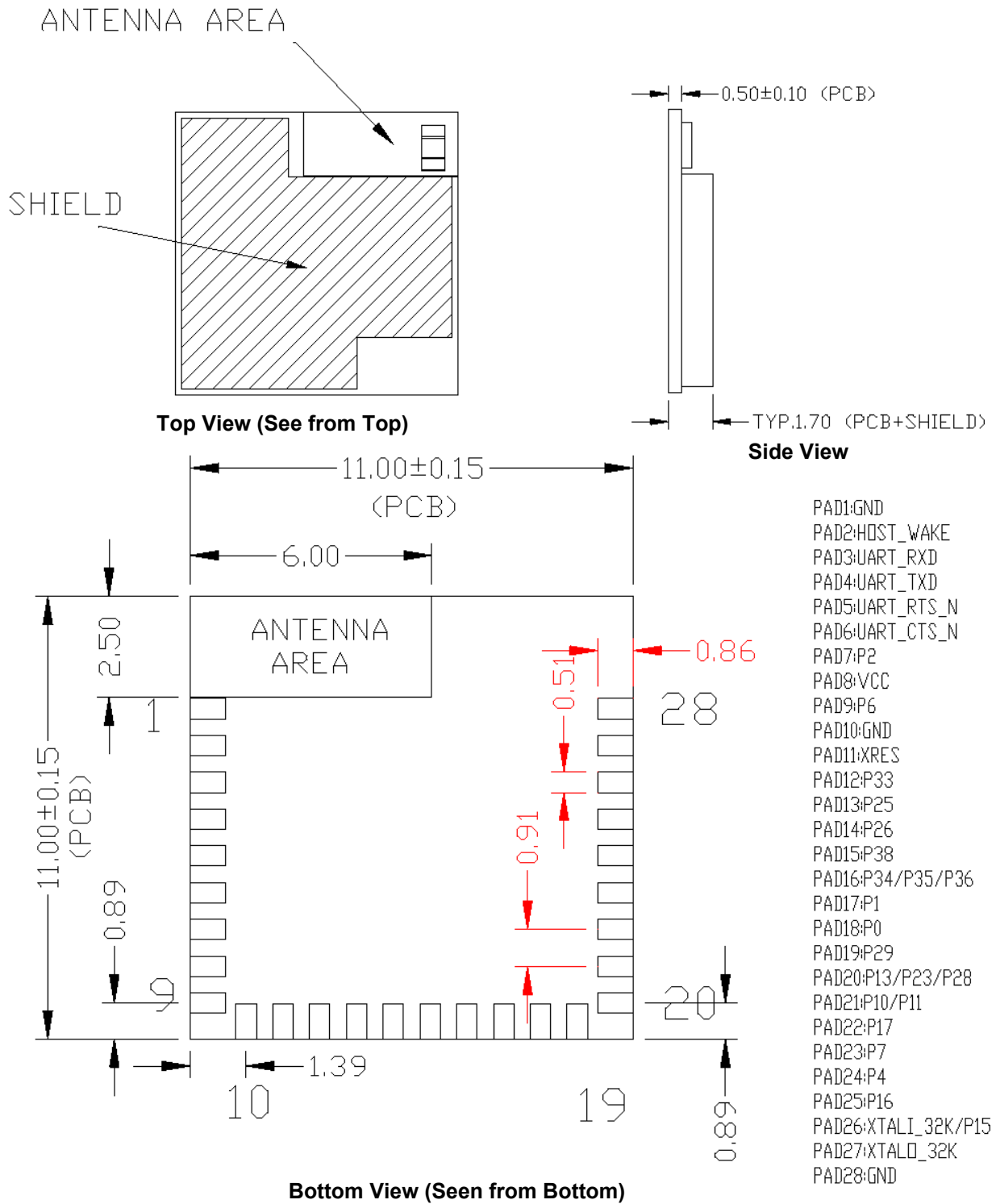
Cypress reserves the right to select components from various vendors to achieve the Bluetooth module functionality. Such selections will still guarantee that all mechanical specifications and module certifications are maintained. Any changes to the current BOM for the CYBT-423028-02 will not be made until approval is provided by the end customer for this product. The CYBT-423028-02 will be held within the physical dimensions shown in the mechanical drawings in Figure 2 on page 5. All dimensions are in millimeters (mm).

Table 1. Module Design Dimensions

Dimension Item		Specification
Module dimensions	Length (X)	11.00 ± 0.15 mm
	Width (Y)	11.00 ± 0.15 mm
Antenna location dimensions	Length (X)	6.00 mm
	Width (Y)	2.50 mm
PCB thickness	Height (H)	0.50 ± 0.10 mm
Shield height	Height (H)	1.20 mm
Maximum component height	Height (H)	0.60 mm typical
Total module thickness (bottom of module to top of shield)	Height (H)	1.70 mm typical

See Figure 2 for the mechanical reference drawing for CYBT-423028-02.

Figure 2. Module Mechanical Drawing



Notes

1. No metal should be located beneath or above the antenna area. Only bare PCB material should be located beneath the antenna area. For more information on recommended host PCB layout, see ["Recommended Host PCB Layout"](#) on page 7.

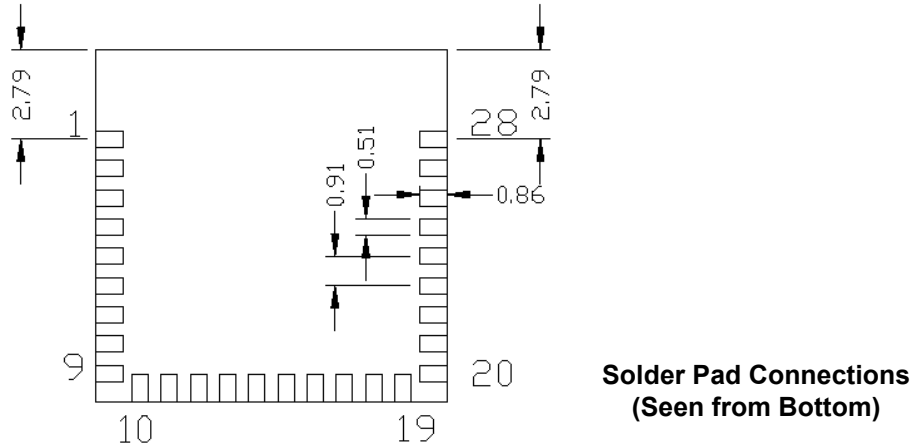
Pad Connection Interface

As shown in the bottom view of [Figure 2](#) on page 5, the CYBT-423028-02 has 28 connections to a host board via solder pads (SP). [Table 2](#) and [Figure 3](#) detail the solder pad length, width, and pitch dimensions of the CYBT-423028-02 module.

Table 2. Connection Description

Name	Connections	Connection Type	Pad Length Dimension	Pad Width Dimension	Pad Pitch
SP	28	Solder Pad	0.86 mm	0.51 mm	0.91 mm

Figure 3. Solder Pad Dimensions (Seen from Bottom)

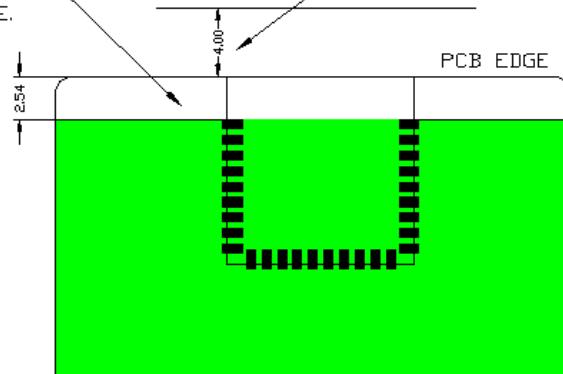


To maximize RF performance, the host layout should follow these recommendations:

1. Antenna Area Keepout: The host board directly below the antenna area of the Cypress module (see [Figure 2](#) on page 5) must contain no ground or signal traces. This keep out area requirement applies to all layers of the host board.
2. Module Placement: The ideal placement of the Cypress Bluetooth module is in a corner of the host board with the PCB trace antenna located at the far corner. This placement minimizes the additional recommended keep out area stated in item 2. Please refer to [AN96841](#) for module placement best practices.
3. Optional Keepout: To maximize RF performance, the area immediately around the Cypress Bluetooth module chip antenna may contain an additional keep out area, where there are no grounding or signal traces. The keep out area applies to all layers of the host board. The recommended dimensions of the host PCB keep out area are shown in [Figure 4](#) (dimensions are in mm).

Figure 4. Optional Additional Host PCB Keep Out Area Around the CYBT-423028-02 Chip Antenna

1. PLACE THE BLUETOOTH MODULE AT THE EDGE OF THE HOST BOARD.
 2. KEEP OUT BELOW ANTENNA AREA ON THE HOST BOARD IS ON ALL LAYERS.
 3. ADDITIONAL KEEP OUT AREA TO COVER COMPLETE MODULE AREA WILL ACHIEVE THE BEST RF PERFORMANCE/DISTANCE.
- KEEP AREA AROUND ANTENNA (APPROXIMATELY 4MM) CLEAR OF PLASTIC STRUCTURES FOR BEST PERFORMANCE



**Optional Host PCB Keep Out Area
Around Chip Antenna
(Seen from Bottom)**

Recommended Host PCB Layout

Figure 5, Figure 6, Figure 7, and Table 3 provide details that can be used for the recommended host PCB layout pattern for the CYBT-423028-02. Dimensions are in millimeters unless otherwise noted. Pad length of 1.11 mm (0.56 mm from center of the pad on either side) shown in Figure 7 is the minimum recommended host pad length. The host PCB layout pattern can be completed using either Figure 5, Figure 6, or Figure 7. It is not necessary to use all figures to complete the host PCB layout pattern.

Figure 5. CYBT-423028-02 Host Layout (Dimensioned)

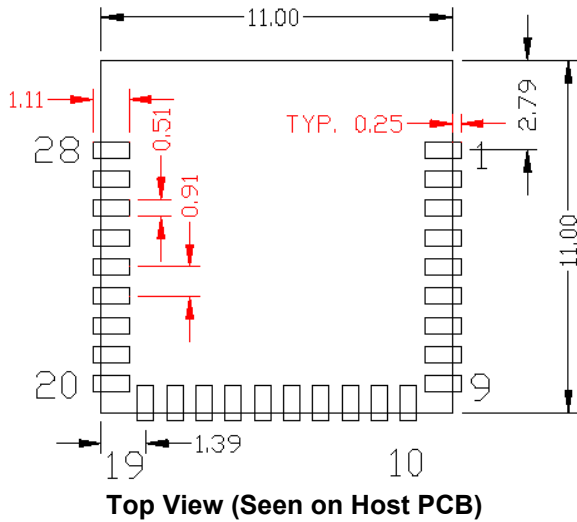


Figure 6. CYBT-423028-02 Host Layout (Relative to Origin)

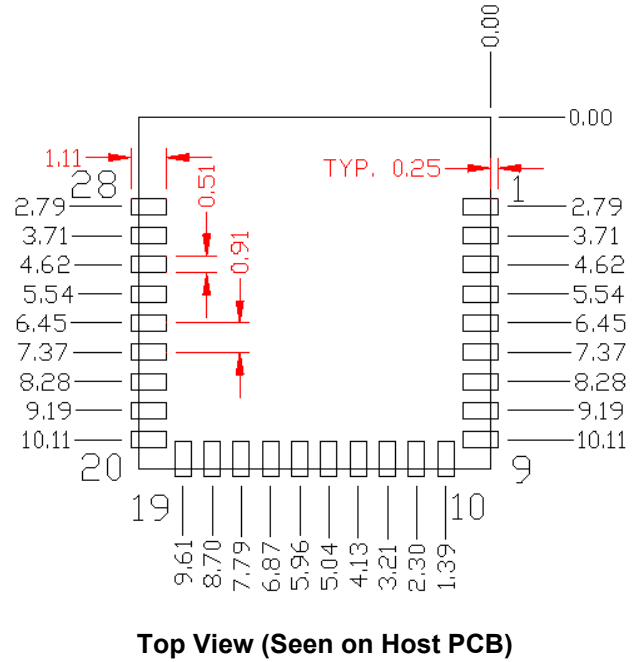
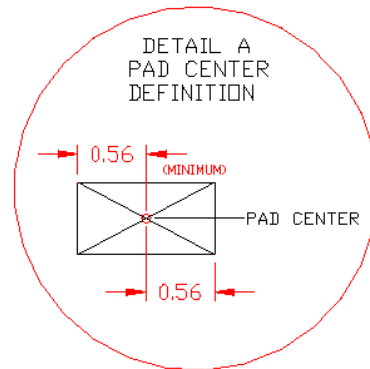
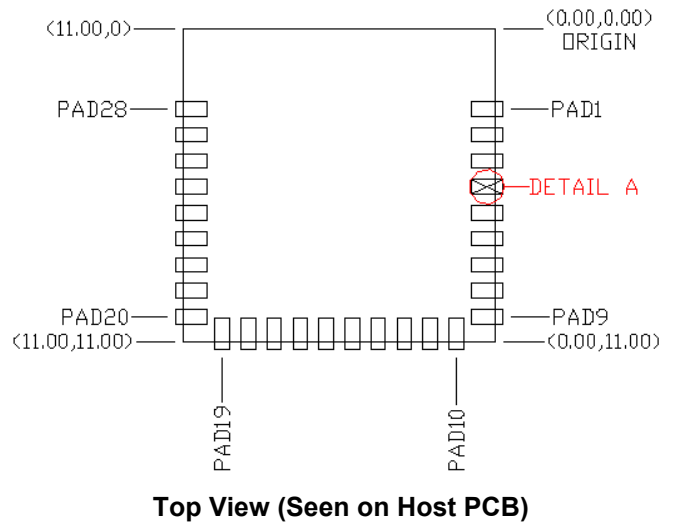


Table 3 provides the center location for each solder pad on the CYBT-423028-02. All dimensions are referenced to the center of the solder pad. Refer to Figure 7 for the location of each module solder pad.

Table 3. Module Solder Pad Location

Solder Pad (Center of Pad)	Location (X,Y) from Origin (mm)	Dimension from Origin (mils)
1	(0.31, 2.79)	(12.20, 109.84)
2	(0.31, 3.71)	(12.20, 146.06)
3	(0.31, 4.62)	(12.20, 181.89)
4	(0.31, 5.54)	(12.20, 218.11)
5	(0.31, 6.45)	(12.20, 253.94)
6	(0.31, 7.37)	(12.20, 290.16)
7	(0.31, 8.28)	(12.20, 325.98)
8	(0.31, 9.19)	(12.20, 361.81)
9	(0.31, 10.11)	(12.20, 398.03)
10	(1.39, 10.69)	(54.72, 420.87)
11	(2.30, 10.69)	(90.55, 420.87)
12	(3.21, 10.69)	(126.38, 420.87)
13	(4.13, 10.69)	(162.60, 420.87)
14	(5.04, 10.69)	(198.42, 420.87)
15	(5.96, 10.69)	(234.65, 420.87)
16	(6.87, 10.69)	(270.47, 420.87)
17	(7.79, 10.69)	(306.69, 420.87)
18	(8.70, 10.69)	(342.52, 420.87)
19	(9.61, 10.69)	(378.35, 420.87)
20	(10.69, 10.11)	(420.87, 398.03)
21	(10.69, 9.19)	(420.87, 361.81)
22	(10.69, 8.28)	(420.87, 325.98)
23	(10.69, 7.37)	(420.87, 290.16)
24	(10.69, 6.45)	(420.87, 253.94)
25	(10.69, 5.54)	(420.87, 218.11)
26	(10.69, 4.62)	(420.87, 181.89)
27	(10.69, 3.71)	(420.87, 146.06)
28	(10.69, 2.79)	(420.87, 109.84)

Figure 7. Solder Pad Reference Location



Module Connections

Table 4 details the solder pad connection definitions and available functions for each connection pad. The GPIO connections available on the CYBT-423028-02 can be configured to any of the input or output functions listed in Table 5. Table 4 specifies any function that is required to be used on a specific solder pad, and also identifies GPIOs that can be configured using the SuperMux.

Table 4. CYBT-423028-02 Solder Pad Connection Definitions

Pad	Pad Name	Silicon Pin Name	XTALI/O	ADC	GPIO	SuperMux Capable ^[2]
1	GND	GND	Ground			
2	HOST_WAKE	BT_HOST_WAKE	A signal from the CYBT-423028-02 module to the host indicating that the Bluetooth device requires attention.			
3	UART_RXD	BT_UART_RXD	UART (HCI UART) Receive Data Only			
4	UART_TXD	BT_UART_TXD	UART (HCI UART) Transmit Data Only			
5	UART_RTS_N	BT_UART_RTS_N	UART (HCI UART) Request To Send Output Only			
6	UART_CTS_N	BT_UART_CTS_N	UART (HCI UART) Clear To Send Input Only			
7	P2	P2	-	-	✓	✓ see Table 5
8	VCC	VDDIO	Power Supply Input (1.76V ~ 3.63V)			
9	P6	P6	-	-	✓	✓ see Table 5
10	GND	GND	Ground			
11	XRES	RST_N	External Reset (Active Low)			
12	P33	P33	-	IN6	✓	✓ see Table 5
13	P25	P25	-	-	✓	✓ see Table 5
14	P26	P26	-	-	✓	✓ see Table 5
15	P38	P38	-	IN1	✓	✓ see Table 5
16	P34/P35/P36	P34 P35 P36	-	IN5 (P34) IN4 (P35) IN3 (P36)	✓ (P34/P35/P36)	✓ see Table 5
17	P1	P1	-	IN28	✓	✓ see Table 5
18	P0	P0	-	IN29	✓	✓ see Table 5
19	P29	P29	-	IN10	✓	✓ see Table 5
20	P13/P23/P28	P13 P23 P28	-	IN22 (P13) IN12 (P23) IN11 (P28)	✓ (P13/P23/P28)	✓ see Table 5
21	P10/P11	P10 P11	-	IN25 (P10) IN24 (P11)	✓ (P10/P11)	✓ see Table 5
22	P17	P17	-	IN18	✓	✓ see Table 5
23	P7	P7	-	-	✓	-
24	P4	P4	-	-	✓	-
25	P16	P16	-	IN19	✓	-
26	XTALI_32K/ P15 ^[3]	XTALI_32K P15	External Oscillator Input (32KHz)	IN20 (P15)	✓(P15)	✓(P15), see Table 5
27	XTALO_32K	XTALO_32K	External Oscillator Output (32KHz)	-	-	-
28	GND	GND	Ground			

Table 5 details the available Input and Output functions that are configurable to any solder pad in Table 4 that are marked as SuperMux capable.

Note

- The CYBT-423028-02 can configure GPIO connections to any Input/Output function described in Table 5.
- P15 should not be driven high externally while the part is held in reset (it can be floating or driven low). Failure to do so may cause some current to flow through P15 until the device comes out of reset.

Table 5. GPIO SuperMux Input Functions

Function	Input or Output	Function Type	GPIOs Required	Function Connection Description
SWD	Input	Serial Communication and Debug	2	SWDCK, Serial Wire Debugger Clock
	Input/Output			SWDIO, Serial Wire Debugger I/O
SPI 1	Input/Output	Serial Communication (Master or Slave)	4 ~ 7	SPI 1 Clock
				SPI 1 Chip Select
				SPI 1 MOSI
				SPI 1 MISO
				SPI 1 I/O 2 (Quad SPI)
				SPI 1 I/O 3 (Quad SPI)
				SPI 1 Interrupt
SPI 2	Input/Output	Serial Communication (Master or Slave)	4 ~ 7	SPI 2 Clock
				SPI 2 Chip Select
				SPI 2 MOSI
				SPI 2 MISO
				SPI 2 I/O 2 (Quad SPI)
				SPI 2 I/O 3 (Quad SPI)
PUART	Input	Serial Communication Input	4	Peripheral UART RX
	Output	Serial Communication Output		Peripheral UART CTS
				Peripheral UART TX
				Peripheral UART RTS
I ² C	Input/Output	Serial Communication (Master or Slave)	2	I2C Clock
				I2C Data
I ² C 2	Input/Output	Serial Communication (Master or Slave)	2	I2C 2 Clock
				I2C 2 Data
PCM In	Input	Audio Input Communication	3	PCM Input
				PCM Clock
				PCM Sync
PCM Out	Output	Audio Output Communication	3	PCM Output
				PCM Clock
				PCM Sync
I ² S In	Input	Audio Input Communication	3	I2S DI, Data Input
				I2S WS, Word Select
				I2S Clock
I ² S Out	Output	Audio Output Communication	3	I2S DO, Data Output
				I2S WS, Word Select
				I2S Clock
PDM	Input	Microphone	1 ~ 2	PDM Input Channel 1
				PDM Input Channel 2
PWM	Output	Pulse Width Modulator	1 ~ 6	PWM Channel 0
				PWM Channel 1
				PWM Channel 2
				PWM Channel 3
				PWM Channel 4
ACLK	Output	Auxiliary Clock	1 ~ 2	Auxiliary Clock 0 (ACLK0)
				Auxiliary Clock 1 (ACLK1)
HIDOFF	Output	HID-OFF Indicator	1	HID-OFF Indicator to host

Connections and Optional External Components

Power Connections (VDD)

The CYBT-423028-02 contains one power supply connection, VDD.

VDD accepts a supply input of 1.76 V to 3.63 V. [Table 12](#) provides this specification. The maximum power supply ripple for this power connection is 100 mV, as shown in [Table 12](#).

Considerations and Optional Components for Brown Out (BO) Conditions

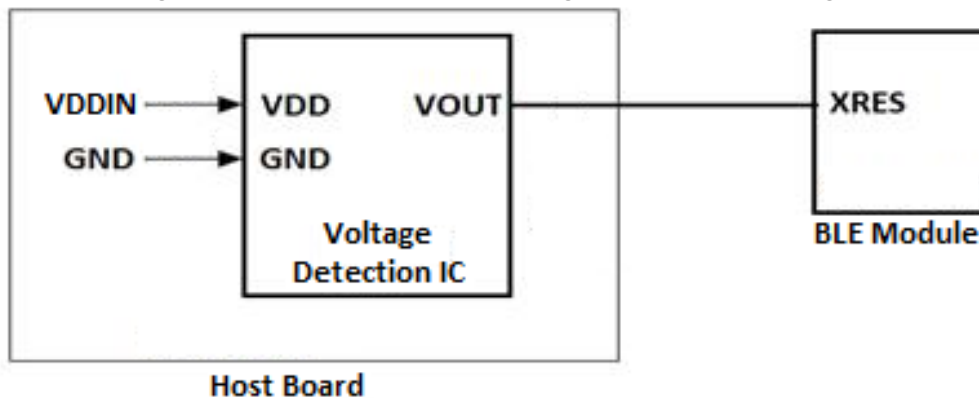
Power supply design must be completed to ensure that the CYBT-423028-02 module does not encounter a Brown Out condition, which can lead to unexpected functionality, or module lock up. A Brown Out condition may be met if power supply provided to the module during power up or reset is in the range shown below:

$$V_{IL} \leq VDD \leq V_{IH}$$

Refer to [Table 17](#) for the V_{IL} and V_{IH} specifications.

System design should ensure that the condition above is not encountered when power is removed from the system. In the event that this cannot be guaranteed (i.e. battery installation, high value power capacitors with slow discharge), it is recommended that an external voltage detection device be used to prevent the Brown Out voltage range from occurring during power removal. Please refer to [Figure 8](#) for the recommended circuit design when using an external voltage detection IC.

Figure 8. Reference Circuit Block Diagram for External Voltage Detection IC



In the event that the module does encounter a Brown Out condition, and is operating erratically or not responsive, power cycling the module will correct this issue and once reset, the module should operate correctly. Brown Out conditions can potentially cause issues that cannot be corrected, but in general, a power-on-reset operation will correct a Brown Out condition.

External Reset (XRES)

The CYBT-423028-02 has an integrated power-on reset circuit which completely resets all circuits to a known power on state. This action can also be evoked by an external reset signal, forcing it into a power-on reset state. The XRES signal is an active-low signal, which is an input to the CYBT-423028-02 module (solder pad 11). The CYBT-423028-02 module does not require an external pull-up resistor on the XRES input

During power on operation, the XRES connection to the CYBT-423028-02 is required to be held low 50 ms after the VDD power supply input to the module is stable. This can be accomplished in the following ways:

- The host device can connect a GPIO to the XRES of Cypress CYBT-423028-02 module and pull XRES low until VDD is stable. XRES is recommended to be released 50 ms after VDD is stable.
- If the XRES connection of the CYBT-423028-02 module is not used in the application, a 0.33 uF capacitor may be connected to the XRES solder pad of the CYBT-423028-02 in order to delay the XRES release. The capacitor value for this recommended implementation is approximate, and the exact value may differ depending on the VDD power supply ramp time of the system. The capacitor value should result in an XRES release timing of at least 50 ms after VDD stability.
- The XRES release timing may be controlled by a external voltage detection IC. XRES should be released 50 ms after VDD is stable.

Refer to [Figure 11](#) on page 18 for XRES operating and timing requirements during power on events.

HCI UART Connections

The recommendations in this section apply to the HCI UART (Solder Pads 3, 4, 5, and 6). For full UART functionality, all UART signals must be connected to the Host device. If full UART functionality is not being used, and only UART RXD and TXD are desired or capable, then the following connection considerations should be followed for UART RTS and CTS:

- UART RTS: Can be left floating, pulled low, or pulled high. RTS is not critical for initial firmware uploading at power on.
- UART CTS: Must be pulled low to bypass flow control and to ensure that continuous data transfers are made from the host to the module.

External Component Recommendation

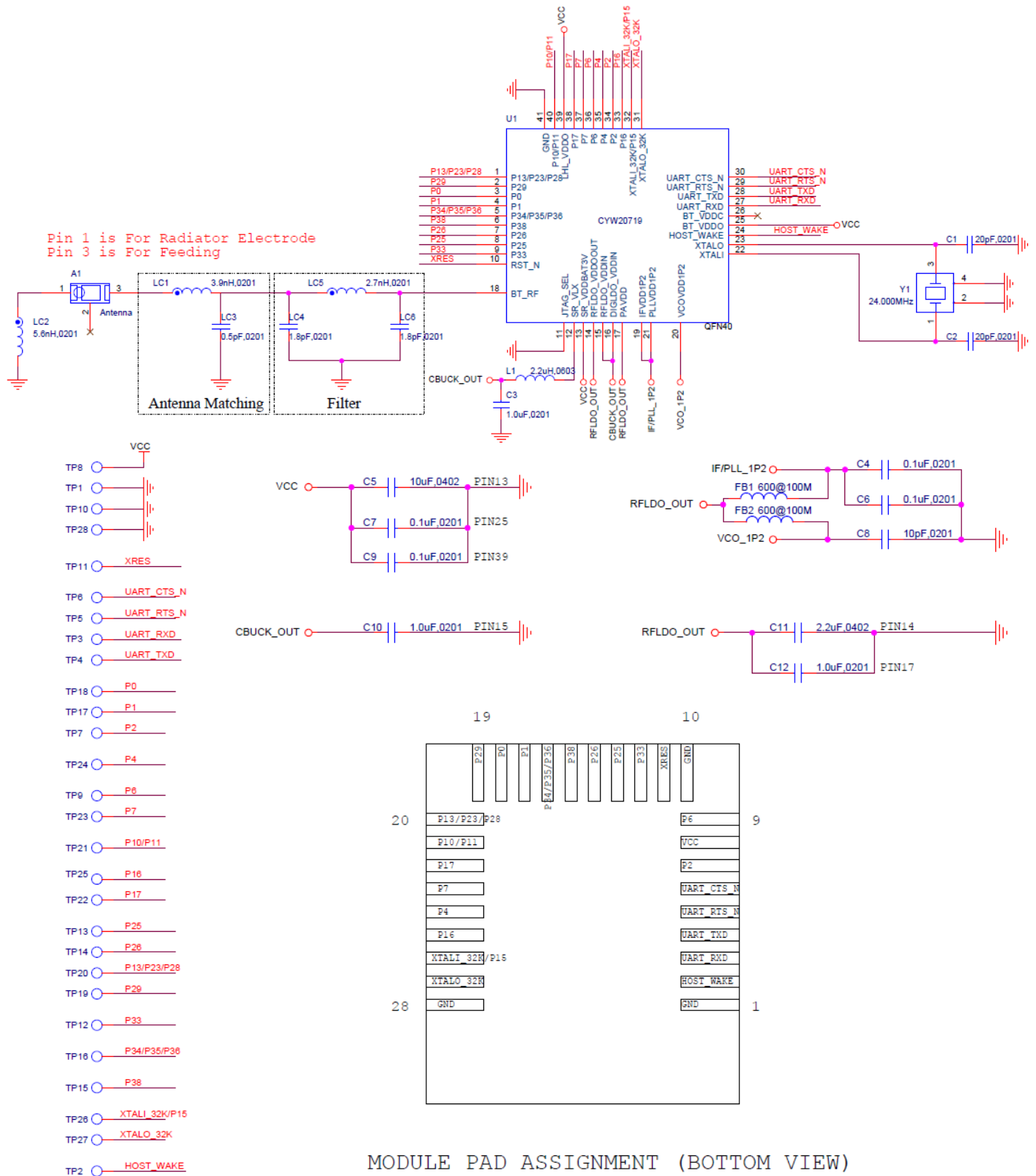
Power Supply Circuitry

It is not required to place any power supply decoupling or noise reduction circuitry on the host PCB. If desired, an external ferrite bead between the supply and the module connection can be included. The ferrite bead should be positioned as close as possible to the module pad connection.

If used, the recommended ferrite bead value is 330 Ω , 100 MHz. (Murata BLM21PG331SN1D).

Figure 9 illustrates the CYBT-423028-02 schematic.

Figure 9. CYBT-423028-02 Schematic Diagram



Critical Components List

Table 6 details the critical components used in the CYBT-423028-02 module.

Table 6. Critical Component List

Component	Reference Designator	Description
Silicon	U2	40-pin QFN Bluetooth Silicon Device - CYW20719
Chip Antenna	A1	Antennam, 2.4 GHz
Crystal	Y1	24.000 MHz, 12PF

Antenna Design

Table 7 details the chip antenna used in the CYBT-423028-02 module.

Table 7. Chip Antenna Specifications

Item	Description
Frequency Range	2400 – 2500 MHz
Peak Gain	-1.0 dBi typical
Return Loss	10.0 dB typical

Bluetooth Baseband Core

The Bluetooth Baseband Core (BBC) implements all of the time-critical functions required for high-performance Bluetooth operation. The BBC manages the buffering, segmentation, and routing of data for all connections. It prioritizes and schedules all RX/TX activities including adv, paging, scanning, and servicing of connections. In addition to these functions, it independently handles the host controller interface (HCI) including all commands, events, and data flowing over HCI. The core also handles symbol timing, forward error correction (FEC), header error control (HEC), cyclic redundancy check (CRC), authentication, data encryption/decryption, and data whitening/dewhitening.

Bluetooth 4.0 Features

The CYBT-423028-02 supports all Bluetooth 4.0 features, with the following benefits:

- Dual-mode Bluetooth low energy (BT and BLE operation)
- Extended inquiry response (EIR): Shortens the time to retrieve the device name, specific profile, and operating mode.
- Encryption pause resume (EPR): Enables the use of Bluetooth technology in a much more secure environment.
- Sniff subrating (SSR): Optimizes power consumption for low duty cycle asymmetric data flow, which subsequently extends battery life.
- Secure simple pairing (SSP): Reduces the number of steps for connecting two devices, with minimal or no user interaction required.
- Link supervision time out (LSTO): Additional commands added to HCI and Link Management Protocol (LMP) for improved link time-out supervision.
- Quality of service (QoS) enhancements: Changes to data traffic control, which results in better link performance. Audio, human interface device (HID), bulk traffic, and SCO are improved with the erroneous data (ED) and packet boundary flag (PBF) enhancements.

Bluetooth 4.1 Features

The CYBT-423028-02 supports the following Bluetooth v4.1 features:

- Secure connections for BR
- Fast advertising interval
- Piconet clock adjust
- Connectionless broadcast
- Low energy (LE) privacy v1.1
- Low duty cycle directed advertising
- LE dual mode topology

Bluetooth 4.2 and 5.0 Features

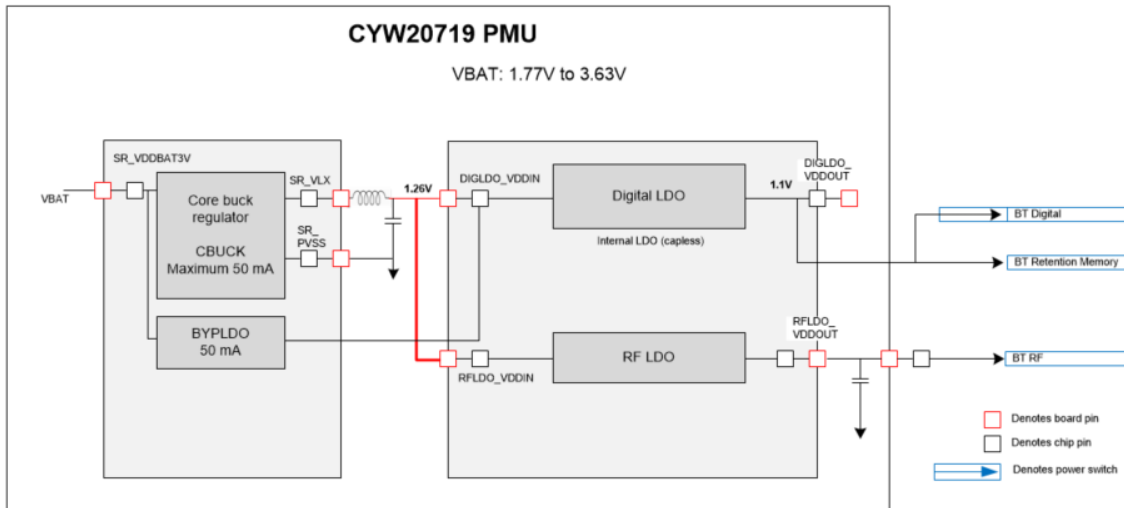
The CYBT-423028-02 supports the following Bluetooth v4.2 and v5.0 features:

- LE data packet length extension
- LE secure connections
- Link layer privacy
- Enables Bluetooth Smart sensors to access the Internet directly via IPv6/6LoWPAN
- LE 2Mbps

Power Management Unit

Figure 10 shows the CYBT-423028-02 power management unit (PMU) block diagram. The CYBT-423028-02 includes an integrated buck regulator, a bypass LDO, a capless LDO, for digital circuits and 1.2V LDO for RF. The bypass LDO automatically takes over from the buck once Vbat supply falls below 2.1V. The voltage levels shown in this figure are the default settings; the firmware may change voltage levels based on operating conditions.

Figure 10. Default Usage Mode



Integrated Radio Transceiver

The CYBT-423028-02 has an integrated radio transceiver that has been designed to provide low power operation in the globally available 2.4 GHz unlicensed ISM band. It is fully compliant with Bluetooth Radio Specification 3.0 and meets or exceeds the requirements to provide the highest communication link quality of service.

Transmitter Path

CYBT-423028-02 features a fully integrated transmitter. The baseband transmit data is GFSK modulated in the 2.4 GHz ISM band.

Digital Modulator

The digital modulator performs the data modulation and filtering required for the GFSK signal. The fully digital modulator minimizes any frequency drift or anomalies in the modulation characteristics of the transmitted signal.

Power Amplifier

The CYBT-423028-02 has an integrated power amplifier (PA) that can transmit up to +4 dBm for class 2 operation.

Receiver Path

The receiver path uses a low IF scheme to downconvert the received signal for demodulation in the digital demodulator and bit synchronizer. The receiver path provides a high degree of linearity, and an extended dynamic range to ensure reliable operation in the noisy 2.4 GHz ISM band. The front-end topology, which has built-in out-of-band attenuation, enables the CYBT-423028-02 to be used in most applications without off-chip filtering.

Digital Demodulator and Bit Synchronizer

The digital demodulator and bit synchronizer take the low-IF received signal and perform an optimal frequency tracking and bit synchronization algorithm.

Receiver Signal Strength Indicator

The radio portion of the CYBT-423028-02 provides a receiver signal strength indicator (RSSI) to the baseband. This enables the controller to take part in a Bluetooth power-controlled link by providing a metric of its own receiver signal strength to determine whether the transmitter should increase or decrease its output power.

Local Oscillator

The local oscillator (LO) provides fast frequency hopping (1600 hops/second) across the 79 maximum available channels. The CYBT-423028-02 uses an internal loop filter.

Microcontroller Unit

The CYBT-423028-02 includes a Cortex M4 (CM4) that can run at 96 MHz. The CM4 also includes a single precision IEEE-754 compliant floating point unit (FPU). For details on the CM4 or the FPU please see the Cortex M4 manual. A standard serial wire debug (SWD) interface provides support for debugging.

The CM4 runs the BT layers as well as any application code. 2 Mbytes of attached ROM have the core firmware as well as various stack layers. 512 KBytes of RAM provide data storage and also the ability to run patch and application code. Additionally, 1 MByte of flash provide storage for configuration data and also support direct execution of application code and patches. The inclusion of core FW, stack layers and various libraries in the on-board ROM allow for most of the flash and RAM to be used for data and application code.

Please see the firmware section for details on the architecture and layers that are included in the ROM.

On-Chip Flash

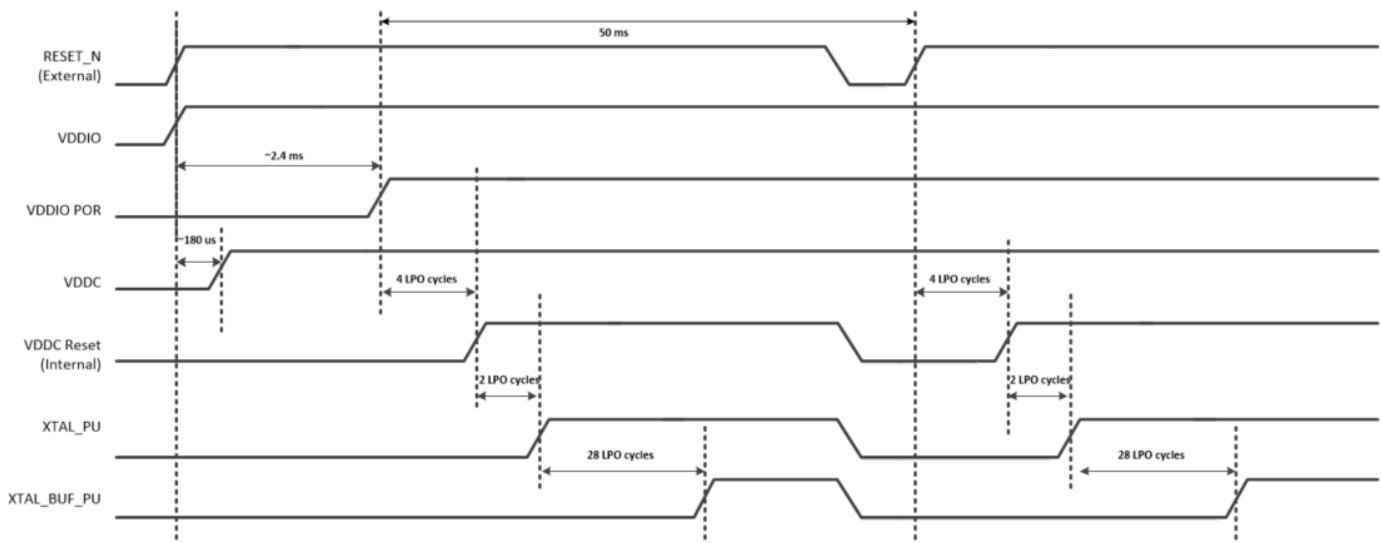
The silicon device used in the CYBT-423028-02 module includes 1 MB of on-chip flash. This flash can be used for direct program execution or for non-volatile data. Typical usage for the on-chip flash includes:

- Chip configuration
- Patches
- Peer addresses and link keys
- Application code
- Application non-volatile data
- Product information

External Reset

An external active-low reset signal, XRES, can be used to put the CYBT-423028-02 in the reset state. An external voltage detector reset IC with 50 ms delay is recommended on the XRES connection. The XRES must only be released after the VDDO supply voltage level has been stabilized for 50 ms.

Figure 11. Reset Timing



Peripheral and Communication Interfaces

I²C

The CYBT-423028-02 provides a 2-pin I²C compatible master interface to communicate with I²C compatible peripherals. The following transfer clock rates are supported are:

- 100 kHz
- 400 kHz
- 800 kHz (Not a standard I²C-compatible speed)
- 1 MHz (Compatibility with high-speed I²C-compatible devices is not guaranteed)

The clock pin (SCL) and data pin (SDA) are both open-drain I/O pins. Pull-up resistors external to the CYBT-423028-02 are required on both the SCL and SDA pins configured for I²C operation. Cypress BSC does not support multimaster capability or flexible wait-state insertion by either master or slave devices.

UART (HCI UART) Interface

The CYBT-423028-02 includes a UART interface for factory programming as well as when operating as a BT HCI device in a system with an external host. The UART physical interface is a standard, 4-wire interface (RX, TX, RTS, and CTS) with adjustable baud rates from 115200 bps to 3 Mbps typical rates are 115200, 921600, 1500000, and 3,000,000 bps although intermediate speeds are also available. Support for changing the baud rate during normal HCI UART operation is included through a vendor-specific command. The CYBT-423028-02 UART operates correctly with the host UART as long as the combined baud rate error of the two devices is within ±5%. The CYBT-423028-02 has a 1040-byte receive FIFO and a 1040-byte transmit FIFO to support enhanced data rates. The interface supports the Bluetooth UART HCI (H4) specification. The default baud rate for H4 is 115.2 kbaud.

The CYBT-423028-02 can wake up the host as needed or allow the host to sleep via the HOST_WAKE signal (Pad 2). HOST_WAKE signals can be enabled via a vendor specific command.

The FW UART driver allows applications to select different baud rates.

Table 8. Common Baud Rate Examples, 24 MHz Clock

Baud Rate (bps)	DHBR	DLBR	Mode	Error (%)
3M	0xFF	0xF8	High rate	0.00
2M	0xFF	0xF4	High rate	0.00
1.5M	0X00	0XFF	Normal	0.00
1M	0x44	0xFF	Normal	0.00
921600	0x55	0xFF	Normal	0.16
460800	0x22	0xFD	Normal	0.16
230400	0x44	0xFA	Normal	0.16
115200	0x00	0xF3	Normal	0.16
38400	0x01	0xD9	Normal	0.00

Peripheral UART Interface

The CYBT-423028-02 has a second UART that may be used to interface to peripherals. This peripheral UART is accessed through the optional I/O ports, which can be configured individually and separately for each functional pin. The CYBT-423028-02 can map the peripheral UART to any GPIO. The Peripheral UART functions the same as the HCI UART, but with a 256-byte transmit and receive FIFO.

Serial Peripheral Interface

The CYBT-423028-02 has two independent SPI interfaces. Both interfaces support Single, Dual, and Quad mode SPI operations as well as MIPI DBI-C Interface. Either interface can be a master or a slave. SPI2 can support only one slave. SPI1 has a 1024 byte transmit and receive buffer which is shared with the host UART interface. SPI2 has a dedicated 256 byte transmit and receive buffer. To support more flexibility for user applications, the CYBT-423028-02 has optional I/O ports that can be configured individually for each functional pin.

SPI IO voltage depends on VDD.

32 kHz Crystal Oscillator

The CYBT-423028-02 utilizes the built-in Local Oscillator (LO) on the CYW20719 silicon device for 32kHz timing. The accuracy of the LO is +/- 500 ppm. The use of an external XTAL oscillator is optional. CYBT-423028-02 includes external XTAL oscillator connections for applications requiring higher timing accuracy. Figure 12 shows an external 32 kHz XTAL oscillator with external components and Table 9 lists the the recommended external oscillator’s characteristics. This oscillator input can be operated with a 32 kHz or 32.768 kHz crystal oscillator or be driven with a clock input at similar frequency. The default component values are: R1 = 10 MΩ and C1 = C2 = ~6 pF. The values of C1 and C2 are used to fine-tune the oscillator.

Figure 12. 32 kHz Oscillator Block Diagram

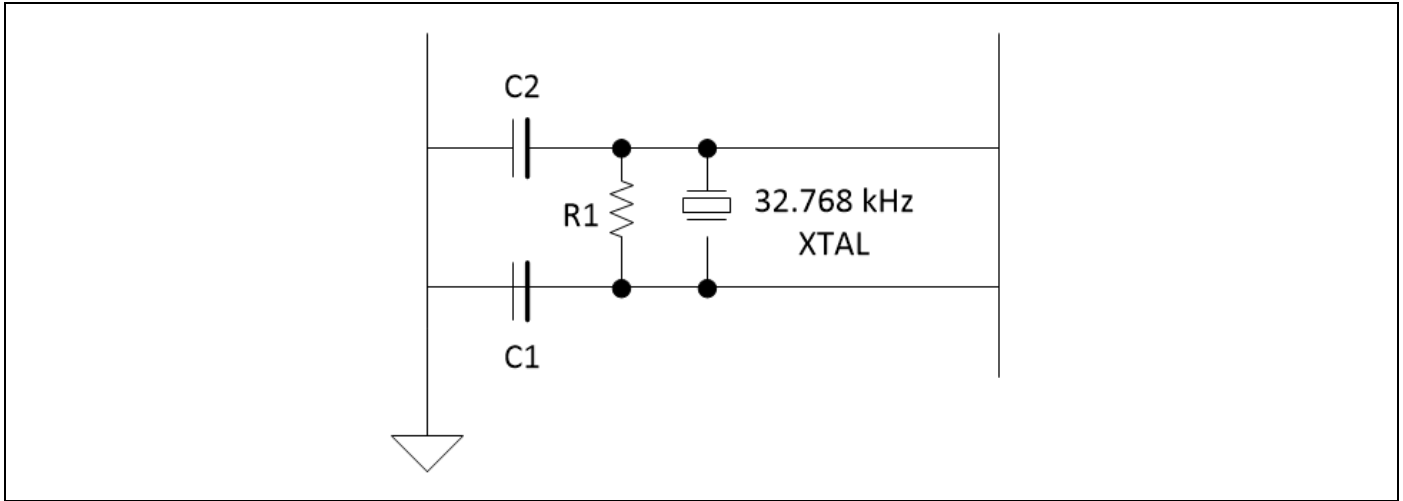


Table 9. XTAL Oscillator Characteristics

Parameter	Symbol	Conditions	Minimum	Typical	Maximum	Unit
Output frequency	F_{oscout}	–	–	32.768	–	kHz
Frequency tolerance	–	Crystal-dependent	–	100	–	ppm
Start-up time	$T_{startup}$	–	–	500	–	ms
XTAL drive level	P_{drv}	For crystal selection	–	–	0.5	μW
XTAL series resistance	R_{series}	For crystal selection	–	–	70	$k\Omega$
XTAL shunt capacitance	C_{shunt}	For crystal selection	–	–	2.2	pF

ADC Port

The ADC is a Σ - Δ ADC core designed for audio (13 bits) and DC (10 bits) measurement. It operates at a 12 MHz and has 11 solder pad connections that can act as input channels. The internal bandgap reference has $\pm 5\%$ accuracy without calibration. Calibration and digital correction schemes can be applied to reduce ADC absolute error and improve measurement accuracy in DC mode.

The following CYBT-423028-02 module solder pads can be used as ADC inputs:

- Pad 12: P33, ADC Input Channel 6
- Pad 15: P38, ADC Input Channel 1
- Pad 16: P34/P35/P36, ADC Input Channels 5/4/3 respectively; NOTE: only one ADC input on this solder pad can be active at a given time.
- Pad 17: P1, ADC Input Channel 28
- Pad 18: P0, ADC Input Channel 29
- Pad 19: P29, ADC Input Channel 10
- Pad 20: P13/P23/28, ADC Input Channels 22/12/11 respectively; NOTE: only one ADC input on this solder pad can be active at a given time.
- Pad 21: P10/P11, ADC Input Channels 25/24 respectively; NOTE: only one ADC input on this solder pad can be active at a given time.
- Pad 22: P17, ADC Input Channel 18
- Pad 25: P16, ADC Input Channel 19
- Pad 26: P15, ADC Input Channel 20

GPIO Ports

The CYBT-423028-02 has a maximum of 17 general-purpose I/Os (GPIOs). All GPIOs support programmable pull-ups and pull-downs with an internal pull-up/pull-down resistor value of ~ 45 Kohm. All GPIOs are capable of sourcing or sinking up to 8 mA at 3.3V or 4 mA at 1.8V. Pad 14 (P26) and Pad 19 (P29) are capable of driving up to 16 mA at 3.3V or 8 mA at 1.8V and include PWM functionality for LED dimming.

- The following GPIOs are available on the CYBT-423028-02 module:
 - P0-P2, P4, P6, P7, P16, P17, P25, P26, P29, P33, and P38
 - P10/P11 (Double bonded connection on the CYBT-423028-02 module, only one of two is available)
 - P13/P23/P28 (Triple bonded connection on the CYBT-423028-02 module, only one of three is available)
 - P15/XTALI_32K (Double bonded pin on the CYBT-423028-02 module, only one of two is available)
 - P34/P35/P36 (Triple bonded pin on the CYBT-423028-02 module, only one of three is available)
 - P19, P20 and P39 are reserved for system use. Please do not use those 3 GPIOs.

On double and triple bonded connections, only one of the connections can be used at a given time. When a certain GPIO is selected, the other GPIOs bonded to the same connection must be configured to input with output disable.

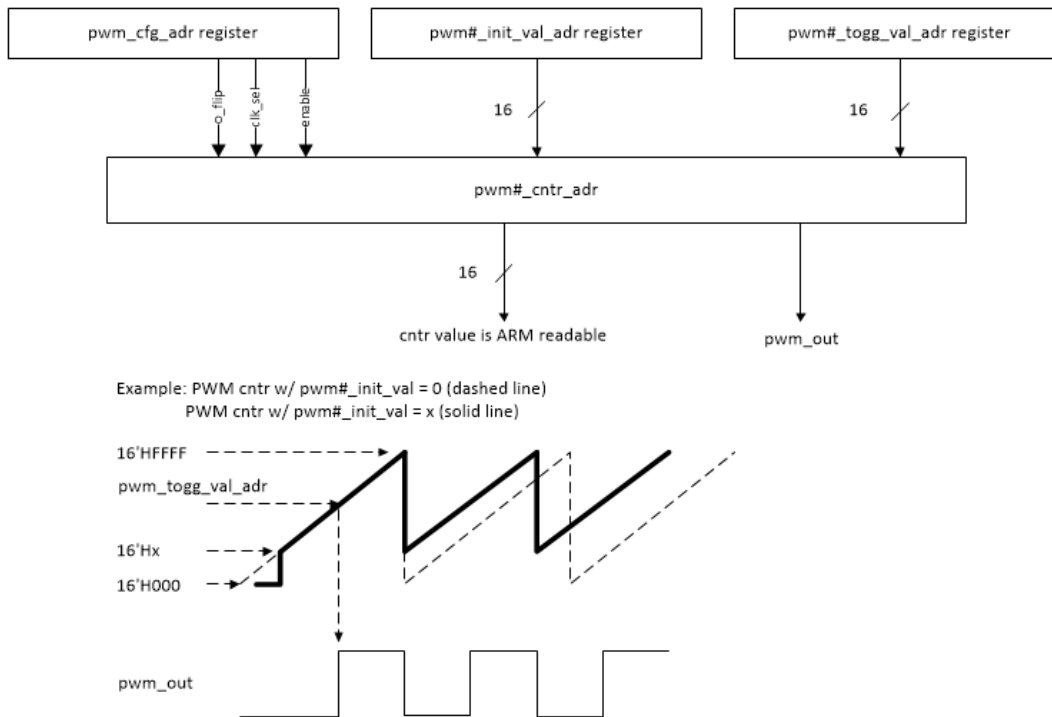
PWM

The CYBT-423028-02 has six internal PWMs. The PWM module consists of the following:

- PWM0–5. Each of the six PWM channels contains the following registers:
 - 16-bit initial value register (read/write)
 - 16-bit toggle register (read/write)
 - 16-bit PWM counter value register (read)
- PWM configuration register shared among PWM0–5 (read/write). This 18-bit register is used:
 - To configure each PWM channel
 - To select the clock of each PWM channel
 - To change the phase of each PWM channel

Figure 13 shows the structure of one PWM.

Figure 13. PWM Block Diagram



PDM Microphone

The CYBT-423028-02 accepts a $\Sigma\Delta$ -based one-bit pulse density modulation (PDM) input stream and outputs filtered samples at either 8 kHz or 16 kHz sampling rates. The PDM signal derives from an external kit that can process analog microphone signals and generate digital signals. The digital signal passes through the chip IO and MUX inputs using an auxADC signal. The PDM shares the filter path with the auxADC. Two types of data rates can be supported:

- 8 kHz
- 16 kHz

The external digital microphone takes in a 2.4 MHz clock generated by the CYBT-423028-02 and outputs a PDM signal which is registered by the PDM interface with either the rising or falling edge of the 2.4 MHz clock selectable through a programmable control bit. The design can accommodate two simultaneous PDM input channels, so stereo voice is possible.

I²S Interface

The CYBT-423028-02 supports a single I²S digital audio port, with both master and slave modes. The I²S signals are:

- I²S Clock: I²S SCK
- I²S Word Select: I²S WS
- I²S Data Out: I²S DO
- I²S Data In: I²S DI

I²S SCK and I²S WS become outputs in master mode and inputs in slave mode, while I²S DO always stays as an output. The channel word length is 16 bits and the data is justified so that the MSN of the left-channel data is aligned with the MSB of the I²S bus, per I²S Specifications. The MSB of each data word is transmitted one bit clock cycle after the I²S WS transition, synchronous with the falling edge of bit clock. Left Channel data is transmitted when I²S WS is low, and right-channel data is transmitted when I²S WS is high. Data bits sent by the CYBT-423028-02 are synchronized with the falling edge of I²S SCK and should be sampled by the receiver on the rising edge of the I²S SCK.

NOTE: The PCM interface shares HW with the I²S interface and only one can be used at a given time.

PCM Interface

The CYBT-423028-02 includes a PCM interface that can connect to linear PCM codec devices in master or slave mode. In master mode, the CYBT-423028-02 generates the PCM_CLK and PCM_SYNC signals. In slave mode, these signals are provided by another master on the PCM interface and are inputs to the CYBT-423028-02. The configuration of the PCM interface may be adjusted by the host through the use of vendor-specific HCI commands.

NOTE: The PCM interface shares HW with the I²S interface and only one can be used at a given time.

Slot Mapping

The CYBT-423028-02 supports up to three simultaneous full-duplex SCO or eSCO channels through the PCM Interface. These three channels are time-multiplexed onto the single PCM interface by using a time-slotting scheme where the 8 kHz or 16 kHz audio sample interval is divided into as many as 16 slots. The number of slots is dependent on the selected interface rate (128 kHz, 512 kHz, or 1024 kHz). The corresponding number of slots for these interface rates is 1, 2, 4, 8, and 16, respectively. Transmit and receive PCM data from an SCO channel is always mapped to the same slot. The PCM data output driver tristates its output on unused slots to allow other devices to share the same PCM interface signals. The data output driver tristates its output after the falling edge of the PCM clock during the last bit of the slot.

Frame Synchronization

The CYBT-423028-02 supports both short- and long-frame synchronization in both master and slave modes. In short frame synchronization mode, the frame synchronization signal is an active-high pulse at the audio frame rate that is a single-bit period in width and is synchronized to the rising edge of the bit clock. The PCGM slave looks for a high on the falling edge of the bit clock and expects the first bit of the first slot to start at the next rising edge of the clock. In long-frame synchronization mode, the frame synchronization signal is again an active-high pulse at the audio frame rate; however, the duration is three bit periods and the pulse starts coincident with the first bit of the first slot.

Data Formatting

The CYBT-423028-02 may be configured to generate and accept several different data formats. For conventional narrow band speech mode, the CYBT-423028-02 uses 13 of the 16 bits in each PCM frame. The location and order of these 13 bits can be configured to support various data formats on the PCM interface. The remaining three bits are ignored on the input and may be filled with 0s, 1s, a sign bit, or a programmed value on the output. The default format is 13-bit 2's complement data, left justified, and clocked MSB first.

Burst PCM Mode

In this mode of operation, the PCM bus runs at a significantly higher rate of operation to allow the host to duty cycle its operation and save current. In this mode of operation, the PCM bus can operate at a rate of up to 24 MHz. This mode of operation is initiated with an HCI command from the host.

Security Engine

The CYBT-423028-02 includes a hardware security accelerator which greatly decreases the time required to perform typical security operations. Access to the hardware block is provided via a firmware interface (see firmware documentation for details). This security engine includes:

- Public key acceleration (PKA) cryptography
- AES-CTR/CBC-MAC/CCM acceleration
- SHA2 message hash and HMAC acceleration
- RSA encryption and decryption of modulus sizes up to 2048 bits
- Elliptic curve Diffie-Hellman in prime field GF(p)

Random Number Generator

This hardware block is used for key generation for Bluetooth.

Note: Availability for use by the application is subject to the support in WICED Studio.

Note: The Random Number Generator block must be warmed up prior to use. A delay of 500 ms from cold boot is necessary prior to using the Random Number Generator.

Power Modes

The CYBT-423028-02 support the following HW power modes are supported:

- **Active mode:** Normal operating mode in which all peripherals are available and the CPU is active.
- **Idle mode:** In this mode, the CPU is in Wait for Interrupt (WFI) and the HCLK, which is the high frequency clock derived from the main crystal oscillator, is running at a lower clock speed. Other clocks are active and the state of the entire chip is retained.
- **PDS mode:** PDS mode is an extension of the PMU Sleep wherein most of the peripherals such as UART, and SPI are turned off. The entire memory is retained, and on wakeup the execution resumes from where it was paused.
- **Shut Down Sleep (SDS):** Everything is turned off except IO Power Domain, RTC, and the LPO. The device can come out of this mode either due to BT activity or an external interrupt. Before going into this mode, the application can store some bytes of data into the Always On RAM (AON). When the device comes out of this mode, the data from AON is restored. After waking from SDS, the application will start from the beginning (warmboot) and has to restore its state based on information stored in AON. In the SDS mode, a single BT task with no data activity, such as an ACL connection, BLE connection, or BLE advertisement can be performed.
- **HIDOFF (Timed-Wake) mode:** The device can enter this mode asynchronously. That is, the application can force the device into this mode at any time. IO Power Domain, RTC, and the LPO are the only active blocks. A timer that runs off the LPO is used to wake the device up after a predetermined fixed time. This mode requires the use of an external XTAL oscillator.
- **HID-OFF (External Interrupt Waked) mode:** This mode is similar to Timed-Wake, but in HID-OFF mode, the LPO and RTC are turned off. The only wakeup source in HID-OFF mode is an external interrupt.

Firmware

The CYBT-423028-02 ROM firmware runs on a real time operating system and handles the programming and configuration of all on-chip hardware functions. This include the BT/LE baseband, LM, HCI, GATT, ATT, L2CAP and SDP layers. The ROM includes drivers for on-chip peripherals. In addition, the ROM also handles on-chip power management functions including transitions between different power modes.

The CYBT-423028-02 is supported by the Cypress WICED Studio platform. WICED releases provide the latest ROM patches, drivers, and sample applications allowing customized applications using the CYBT-423028-02 to be built quickly and efficiently.

Please refer to WICED documentation for details on the firmware architecture and how to write applications/profiles using the CYBT-423028-02.

Electrical Characteristics

The absolute maximum ratings in the following table indicate levels where permanent damage to the device can occur, even if these limits are exceeded for only a brief duration. Functional operation is not guaranteed under these conditions. Operation at absolute maximum conditions for extended periods can adversely affect long-term reliability of the device.

Table 10. Silicon Absolute Maximum Ratings

Requirement Parameter	Specification			Unit
	Min.	Nom.	Max.	
Maximum Junction Temperature	–	–	125	°C
VDD IO	–0.5	–	3.795	V
VDD RF	–0.5	–	1.38	V
VDDBAT3V	–0.5	–	3.795	V
DIGLDO_VDDIN1P5	–0.5	–	1.65	V
RFLDO_VDDIN1P5	–0.5	–	1.65	V
PALDO_VDDIN_5V	–0.5	–	3.795	V
MIC_AVDD	–0.5	–	3.795	V

Table 11. ESD/Latchup

Requirement Parameter	Specification			Unit
	Min.	Nom.	Max.	
ESD Tolerance HBM (Silicon)	–2000	–	2000	V
ESD Tolerance CDM (Silicon)	–500	–	500	V
ESD Tolerance CDM (Silicon, Corners)	–750	–	750	V
Latch-up	–	200	–	mA

Table 12. Power Supply Specifications

Parameter	Conditions	Min.	Typical	Max.	Unit
VDD input	Module Input	1.76	3.3	3.63	V
VDD Ripple	Module Input	–	–	100	mV
VBAT Input	Internal to Module (not accessible)	1.62	3.3	3.6	V
PMU turn-on time	VBAT is ready.	–	–	300	μs

The CYBT-423028-02 uses an onboard low voltage detector to shut down the part when supply voltage (VDD) drops below operating range.

Table 13. Power Supply Specifications

Parameter	Min.	Typical	Max.	Unit
V _{SHUT}	1.625	1.7	1.76	V

Core Buck Regulator

Table 14. Silicon Core Buck Regulator

Parameter	Conditions	Min.	Typ.	Max.	Unit
Input supply voltage DC, VBAT	DC voltage range inclusive of disturbances	1.76	3.0	3.63	V
CBUCK output current	LPOM only	–	–	65	mA
Output voltage range	Programmable, 30mV/step default = 1.2V (bits=0000)	1.2	1.26	1.5	V
Output voltage DC accuracy	Includes load and line regulation	–2	–	+2	%
LPOM efficiency (high load)		–	85	–	%
LPOM efficiency (low load)		–	80	–	%
Input supply voltage ramp-up time	0 to 3.3V	40	–	–	?s

- Minimum capacitor value refers to residual capacitor value after taking into account part-to-part tolerance, DC-bias, temperature, and aging.
- Maximum capacitor value refers to the total capacitance seen at a node where the capacitor is connected. This also includes any decoupling capacitors connected at the load side, if any.

Digital LDO

Table 15. Digital LDO

Parameter	Conditions	Min.	Typ.	Max.	Unit
Input supply voltage, Vin	Minimum Vin=Vo+0.12V requirement must be met under maximum load.	1.2	1.2	1.6	V
Nominal output voltage, Vo	Internal default setting	–	1.1	–	V
Dropout voltage	At maximum load	–	–	120	mV

RF LDO

Table 16. RF LDO

Parameter	Conditions	Min.	Typ.	Max.	Unit
Input supply voltage, Vin	Min Vin=Vo+0.15V = 1.35V (for Vo=1.2V) Dropout voltage requirement must be met under maximum load.	1.2	1.26	1.5	V
External Input supply voltage	RF LDO supplied via external supply	–	1.35	–	V
Nominal output voltage, Vo	Internal default bit setting 000	–	1.2	–	V
Dropout voltage	At maximum load	–	–	150	mV
Output current	Operating Voltage range	0.1	–	25	mA
Quiescent current	No load	–	44	–	µA
In-rush current	Vin=Vo+0.15V to 1.5V, Co=2.2 µF, no load	–	–	100	mA

Note: Minimum capacitor value refers to residual capacitor value after taking into account part-to-part tolerance, DC-bias, temperature, and aging.

Digital I/O Characteristics

Table 17. Digital I/O Characteristics

Characteristics	Symbol	Minimum	Typical	Maximum	Unit
Input low voltage (VDD = 3V)	V _{IL}	–	–	0.8	V
Input high voltage (VDD = 3V)	V _{IH}	2.0	–	–	V
Input low voltage (VDD = 1.8V)	V _{IL}	–	–	0.6	V
Input high voltage (VDD = 1.8V)	V _{IH}	1.1	–	–	V
Output low voltage	V _{OL}	–	–	0.4	V
Output high voltage	V _{OH}	VDDO – 0.4V	–	–	V
Input low current	I _{IL}	–	–	1.0	μA
Input high current	I _{IH}	–	–	1.0	μA
Output low current (VDD = 3V, V _{OL} = 0.4V)	I _{OL}	–	–	2.0	mA
Output low current (VDD = 3V, V _{OL} = 1.8V)	I _{OL}	–	–	2.0	mA
Output high current (VDD = 3V, V _{OH} = 2.6V)	I _{OH}	–	–	4.0	mA
Output high current (VDD = 1.8V, V _{OH} = 1.4V)	I _{OH}	–	–	2.0	mA
Input capacitance	C _{IN}	–	–	0.4	pF

Bluetooth Silicon Current Consumption

In [Table 18](#), current consumption measurements are taken at module input VDD = 3.0V.

Table 18. Silicon Current Consumption BT/LE

Operational Mode	Conditions	Typical	Unit
HCI	48 MHz with Pause	1.1	mA
	48 MHz Without Pause	2.2	mA
RX	Continuous RX	5.9	mA
TX	Continuous TX - 0 dBm	5.6	mA
PDS		61	μA
HID-Off (SDS)	32 KHz xtal and 16 KB Retention RAM on	1.6	μA
Advertising	Unconnectable - 1 sec	14	μA
	Connectable Undirected - 1 sec	17	μA
LE Connection - SDS	Master - 1 sec	TBD	μA
	Slave - 1 sec	TBD	μA
Page Scan - PDS	Interlaced - R1	122	μA
Sniff - PDS	500 ms Sniff, 1 attempt, 0 timeout - Master	132	μA
	500 ms Sniff, 1 attempt, 0 timeout - Slave	138	μA
Bi-Directional Data Exchange	Continuous DM5 or DH5 packets - Master or Slave	6.9	mA

Chipset RF Specifications

Table 19 and Table 20 apply to single-ended industrial temperatures. Unused inputs are left open.

Table 19. Chipset Receiver RF Specifications

Parameter	Mode and Conditions	Min	Typ	Max	Unit
Receiver Section					
Frequency range	–	2402	–	2480	MHz
RX sensitivity	GFSK, BDR GFSK 0.1% BER, 1 Mbps	–	–92.0 ¹	–	dBm
Maximum input	–	–20	–	–	dBm
Interference Performance					
C/I cochannel	GFSK, BDR GFSK 0.1% BER ²	11.0	–	–	dB
C/I 1 MHz adjacent channel	GFSK, BDR GFSK 0.1% BER ^b	0.0	–	–	dB
C/I 2 MHz adjacent channel	GFSK, BDR GFSK 0.1% BER ^b	–30.0	–	–	dB
C/I ≥ 3 MHz adjacent channel	GFSK, BDR GFSK 0.1% BER ³	–40.0	–	–	dB
C/I image channel	GFSK, BDR GFSK 0.1% BER ^b	–9.0	–	–	dB
C/I 1 MHz adjacent to image channel	GFSK, BDR GFSK 0.1% BER ^b	–20.0	–	–	dB
Out-of-Band Blocking Performance (CW) ^c					
30 MHz to 2000 MHz	BDR GFSK 0.1% BER	–	–10.0	–	dBm
2000 MHz to 2399 MHz	BDR GFSK 0.1% BER	–	–27	–	dBm
2498 MHz to 3000 MHz	BDR GFSK 0.1% BER	–	–27	–	dBm
3000 MHz to 12.75 GHz	BDR GFSK 0.1% BER	–	–10.0	–	dBm
Intermodulation Performance ⁴					
BT, interferer signal level	BDR GFSK 0.1% BER	–	–	–39.0	dBm
Spurious Emissions					
30 MHz to 1 GHz	–	–	–	–57.0	dBm
1 GHz to 12.75 GHz	–	–	–	–55.0	dBm

1. The receiver sensitivity is measured at BER of 0.1% on the device interface.

2. Desired signal is 10 dB above the reference sensitivity level (defined as –70 dBm).

3. Desired signal is 3 dB above the reference sensitivity level (defined as –70 dBm).

4. Desired signal is -64 dBm Bluetooth-modulated signal, interferer 1 is –39 dBm sine wave at frequency f1, interferer 2 is –39 dBm Bluetooth-modulated signal at frequency f2, $f_0 = 2*f_1 - f_2$, and $|f_2 - f_1| = n*1$ MHz, where n is 3, 4, or 5. For the typical case, n = 4.

Table 20. Chipset Transmitter RF Specifications

Parameter	Min	Typ	Max	Unit
Transmitter Section				
Frequency range	2402	–	2480	MHz
Class 2: GFSK Tx power	–	2.0	4.0	dBm
20 dB bandwidth	–	930	1000	kHz
Adjacent Channel Power				
$ M - N = 2$	–	–	–20	dBm
$ M - N \geq 3$	–	–	–40	dBm
Out-of-Band Spurious Emission				
30 MHz to 1 GHz	–	–	–36.0	dBm
1 GHz to 12.75 GHz	–	–	–30.0	dBm
1.8 GHz to 1.9 GHz	–	–	–47.0	dBm
5.15 GHz to 5.3 GHz	–	–	–47.0	dBm
LO Performance				
Initial carrier frequency tolerance	–75	–	+75	kHz
Frequency Drift				
DH1 packet	–25	–	+25	kHz
DH3 packet	–40	–	+40	kHz
DH5 packet	–40	–	+40	kHz
Drift rate	–20		20	kHz/50 μ s
Frequency Deviation				
Average deviation in payload (sequence used is 00001111)	140	–	175	kHz
Maximum deviation in payload (sequence used is 10101010)	115	–	–	kHz
Channel spacing	–	1	–	MHz

Table 21. BLE Silicon RF Specifications

Parameter	Conditions	Minimum	Typical	Maximum	Unit
Frequency range	N/A	2402	–	2480	MHz
Rx sensitivity ¹	GFSK, BDR GFSK 0.1% BER 0.1% BER, 1 Mbps	–	–95.5	–	dBm
Tx power	N/A	–	2.0	4.0	dBm
Mod Char: Delta F1 average	N/A	225	255	275	kHz
Mod Char: Delta F2 max ²	N/A	99.9	–	–	%
Mod Char: Ratio	N/A	0.8	0.95	–	%

1. Dirty Tx is Off.

2. At least 99.9% of all delta F2 max frequency values recorded over 10 packets must be greater than 185 kHz.

Timing and AC Characteristics

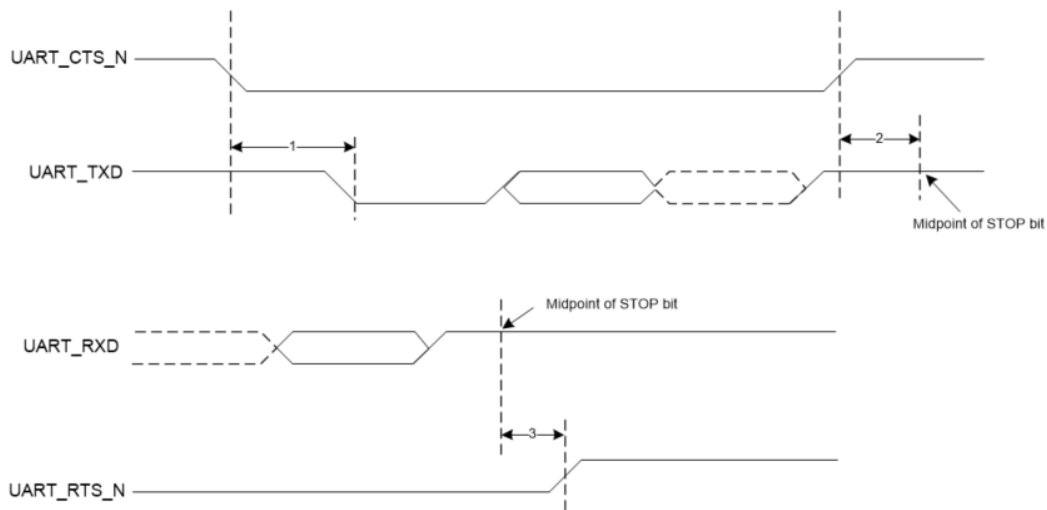
In this section, use the numbers listed in the **Reference** column of each table to interpret the following timing diagrams.

UART Timing

Table 22. UART Timing Specifications

Reference	Characteristics	Min.	Typ.	Max.	Unit
1	Delay time, UART_CTS_N low to UART_TXD valid.	–	–	1.50	Bit periods
2	Setup time, UART_CTS_N high before midpoint of stop bit.	–	–	0.67	Bit periods
3	Delay time, midpoint of stop bit to UART_RTS_N high.	–	–	1.33	Bit periods

Figure 14. UART Timing



SPI Timing

The SPI interface can be clocked up to 24 MHz.

Table 23 and Figure 15 show the timing requirements when operating in SPI Mode 0 and 2.

Table 23. SPI Mode 0 and 2

Reference	Characteristics	Min.	Max.	Unit
1	Time from master assert SPI_CSN to first clock edge	45	–	ns
2	Hold time for MOSI data lines	12	$\frac{1}{2}$ SCK	ns
3	Time from last sample on MOSI/MISO to slave deassert SPI_INT	0	100	ns
4	Time from slave deassert SPI_INT to master deassert SPI_CSN	0	–	ns
5	Idle time between subsequent SPI transactions	1 SCK	–	ns

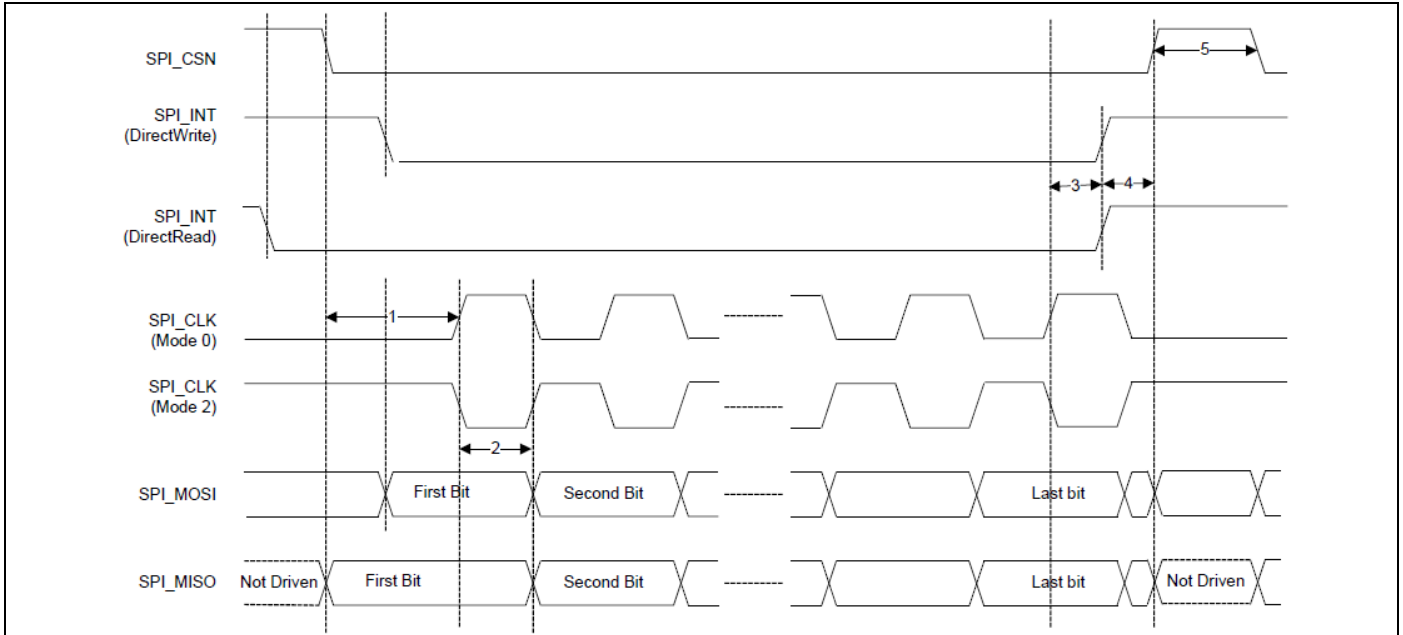
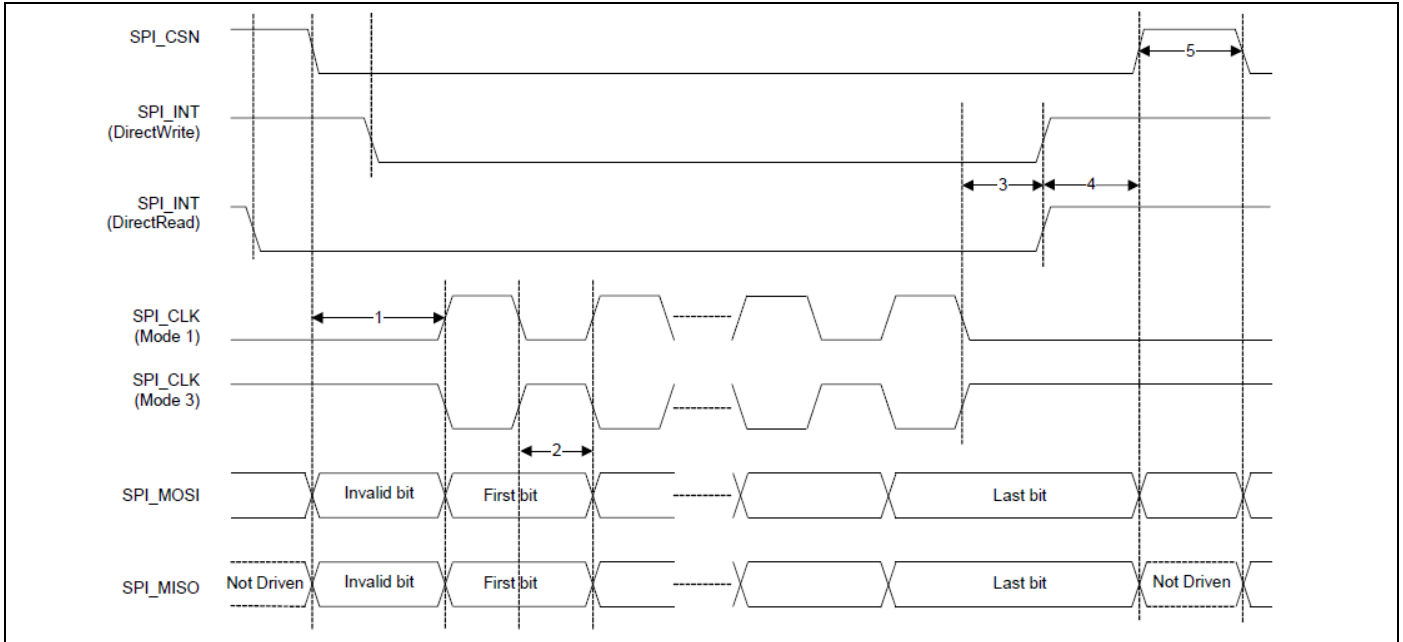
Figure 15. SPI Timing, Mode 0 and 2


Table 24 and Figure 16 show the timing requirements when operating in SPI Mode 1 and 3.

Table 24. SPI Mode 1 and 3

Reference	Characteristics	Min.	Max.	Unit
1	Time from master assert SPI_CSN to first clock edge	45	–	ns
2	Hold time for MOSI data lines	12	$\frac{1}{2}$ SCK	ns
3	Time from last sample on MOSI/MISO to slave deassert SPI_INT	0	100	ns
4	Time from slave deassert SPI_INT to master deassert SPI_CSN	0	–	ns
5	Idle time between subsequent SPI transactions	1 SCK	–	ns

Figure 16. SPI Timing, Mode 1 and 3



BSC Interface Timing

The specifications in Table 25 references Figure 17.

Table 25. BSC Interface Timing Specifications (up to 1 MHz)

Reference	Characteristics	Minimum	Maximum	Unit
1	Clock frequency	-	100	kHz
			400	
			800	
			1000	
2	START condition setup time	650	-	ns
3	START condition hold time	280	-	ns
4	Clock low time	650	-	ns
5	Clock high time	280	-	ns
6	Data input hold time ¹	0	-	ns
7	Data input setup time	100	-	ns
8	STOP condition setup time	280	-	ns
9	Output valid from clock	-	400	ns
10	Bus free time ²	650	-	ns

1. As a transmitter, 125 ns of delay is provided to bridge the undefined region of the falling edge of SCL to avoid unintended generation of START or STOP conditions.

2. Time that the CBUS must be free before a new transaction can start.

Figure 17. BSC Interface Timing Diagram

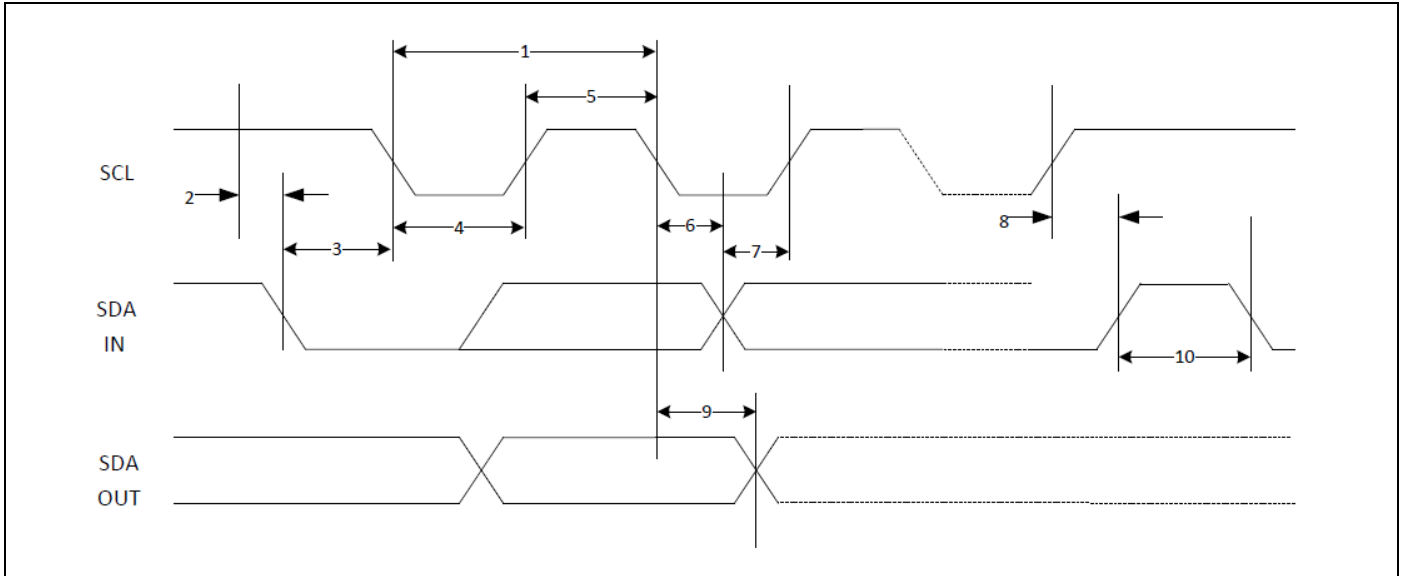
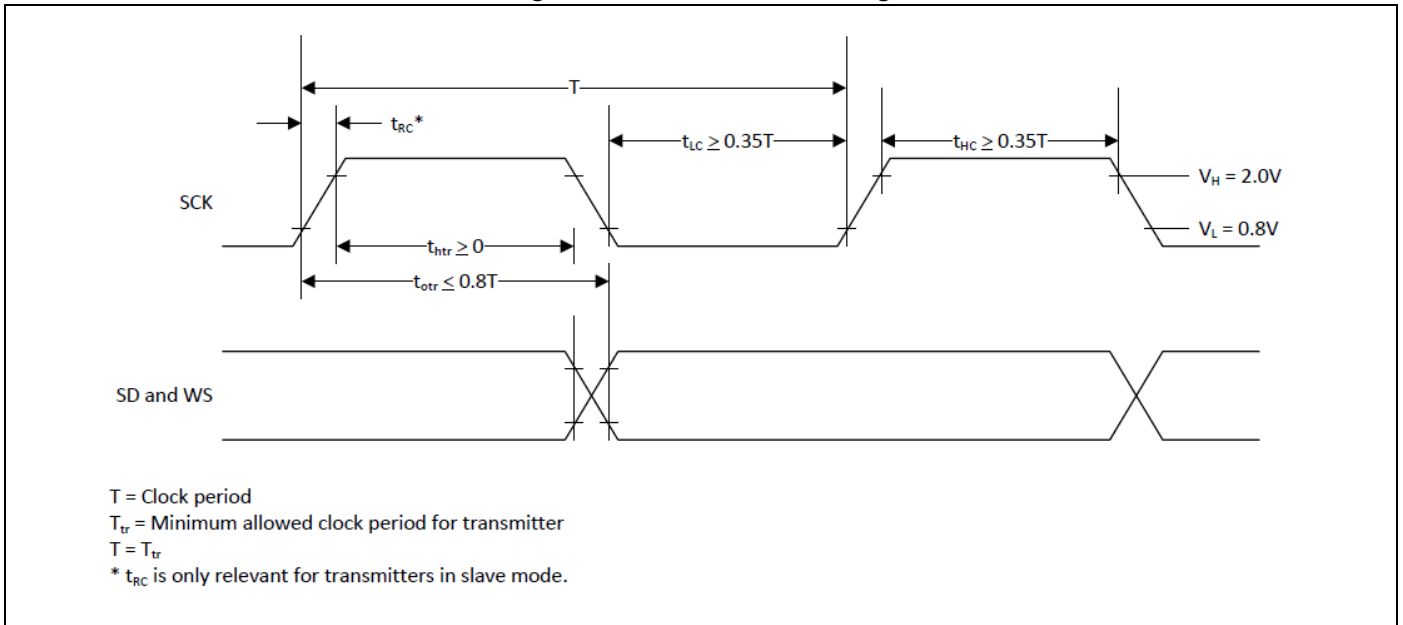
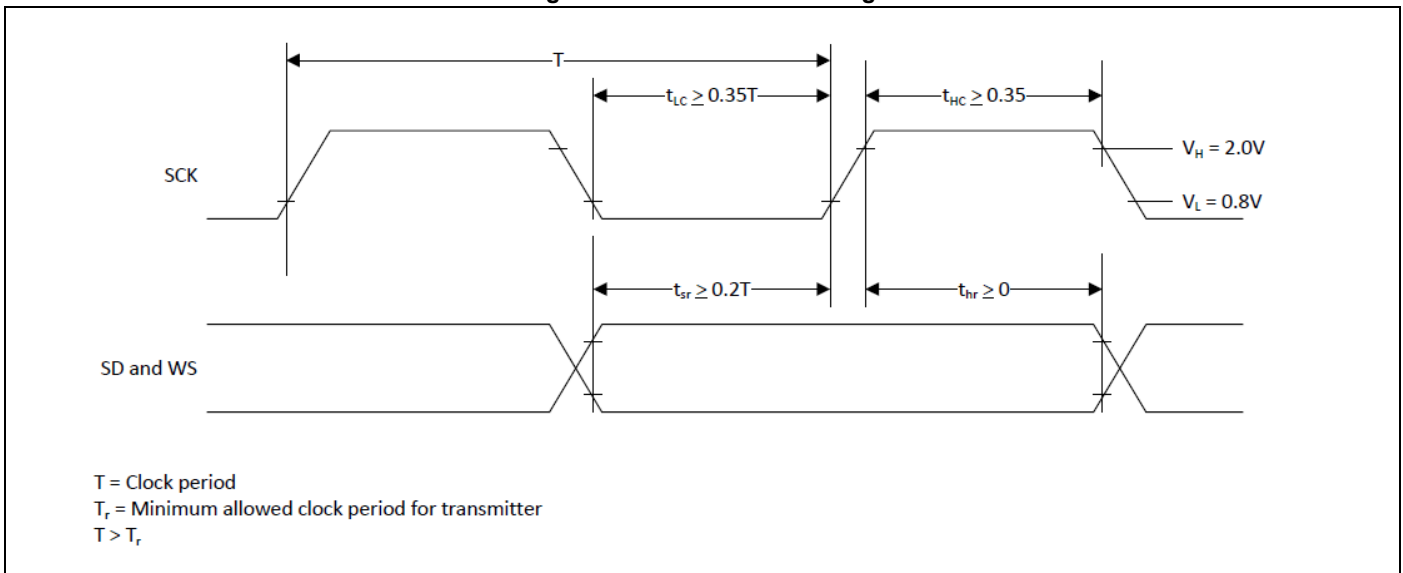


Table 26. Timing for I²S Transmitters and Receivers

	Transmitter				Receiver				Notes
	Lower Limit		Upper Limit		Lower Limit		Upper Limit		
	Min	Max	Min	Max	Min	Max	Min	Max	
Clock Period T	T_{tr}	–	–	–	T_r	–	–	–	1
Master Mode: Clock generated by transmitter or receiver									
HIGH t_{HC}	$0.35T_{tr}$	–	–	–	$0.35T_{tr}$	–	–	–	2
LOW t_{LC}	$0.35T_{tr}$	–	–	–	$0.35T_{tr}$	–	–	–	2
Slave Mode: Clock accepted by transmitter or receiver									
HIGH t_{HC}	–	$0.35T_{tr}$	–	–	–	$0.35T_{tr}$	–	–	3
LOW t_{LC}	–	$0.35T_{tr}$	–	–	–	$0.35T_{tr}$	–	–	3
Rise time t_{RC}	–	–	$0.15T_{tr}$	–	–	–	–	–	4
Transmitter									
Delay t_{dtr}	–	–	–	$0.8T$	–	–	–	–	5
Hold time t_{htr}	0	–	–	–	–	–	–	–	4
Receiver									
Setup time t_{sr}	–	–	–	–	$0.2T_{tr}$	–	–	–	6
Hold time t_{hr}	–	–	–	–	$0.2T_{tr}$	–	–	–	6

1. The system clock period T must be greater than T_{tr} and T_r because both the transmitter and receiver have to be able to handle the data transfer rate.
2. At all data rates in master mode, the transmitter or receiver generates a clock signal with a fixed mark/space ratio. For this reason, t_{HC} and t_{LC} are specified with respect to T.
3. In slave mode, the transmitter and receiver need a clock signal with minimum HIGH and LOW periods so that they can detect the signal. So long as the minimum periods are greater than $0.35T_r$, any clock that meets the requirements can be used.
4. Because the delay (t_{dtr}) and the maximum transmitter speed (defined by T_{tr}) are related, a fast transmitter driven by a slow clock edge can result in t_{dtr} not exceeding t_{RC} which means t_{htr} becomes zero or negative. Therefore, the transmitter has to guarantee that t_{htr} is greater than or equal to zero, so long as the clock rise-time t_{RC} is not more than t_{RCmax} , where t_{RCmax} is not less than $0.15T_{tr}$.
5. To allow data to be clocked out on a falling edge, the delay is specified with respect to the rising edge of the clock signal and T, always giving the receiver sufficient setup time.
6. The data setup and hold time must not be less than the specified receiver setup and hold time.

Figure 18. I²S Transmitter Timing

Figure 19. I²S Receiver Timing


Environmental Specifications

Environmental Compliance

This Cypress BLE module is produced in compliance with the Restriction of Hazardous Substances (RoHS) and Halogen-Free (HF) directives. The Cypress module and components used to produce this module are RoHS and HF compliant.

RF Certification

The CYBT-423028-02 module is certified under the following RF certification standards:

- FCC: TBD
- ISED: TBD
- MIC: TBD
- CE

Safety Certification

The CYBT-423028-02 module complies with the following safety regulations:

- Underwriters Laboratories, Inc. (UL): Filing E331901
- CSA
- TUV

Environmental Conditions

Table 27 describes the operating and storage conditions for the Cypress BLE module.

Table 27. Environmental Conditions for CYBT-423028-02

Description	Minimum Specification	Maximum Specification
Operating temperature	-30 °C	85 °C
Operating humidity (relative, non-condensation)	5%	85%
Thermal ramp rate	-	10 °C/minute
Storage temperature	-40 °C	85 °C
Storage temperature and humidity	-	110 °C at 85%
ESD: Module integrated into system Components ^[4]	-	15 kV Air 2.0 kV Contact

ESD and EMI Protection

Exposed components require special attention to ESD and electromagnetic interference (EMI).

A grounded conductive layer inside the device enclosure is suggested for EMI and ESD performance. Any openings in the enclosure near the module should be surrounded by a grounded conductive layer to provide ESD protection and a low-impedance path to ground.

Device Handling: Proper ESD protocol must be followed in manufacturing to ensure component reliability.

Note

4. This does not apply to the RF pins (ANT).

Regulatory Information

FCC

FCC NOTICE:

The device CYBT-423028-02 complies with Part 15 of the FCC Rules. The device meets the requirements for modular transmitter approval as detailed in FCC public Notice DA00-1407. transmitter Operation is subject to the following two conditions: (1) This device may not cause harmful interference, and (2) This device must accept any interference received, including interference that may cause undesired operation.

CAUTION:

The FCC requires the user to be notified that any changes or modifications made to this device that are not expressly approved by Cypress Semiconductor may void the user's authority to operate the equipment.

This equipment has been tested and found to comply with the limits for a Class B digital device, pursuant to Part 15 of the FCC Rules. These limits are designed to provide reasonable protection against harmful interference in a residential installation. This equipment generates uses and can radiate radio frequency energy and, if not installed and used in accordance with the instructions, may cause harmful interference to radio communications. However, there is no guarantee that interference will not occur in a particular installation. If this equipment does cause harmful interference to radio or television reception, which can be determined by turning the equipment off and on, the user is encouraged to try to correct the interference by one or more of the following measures:

- Reorient or relocate the receiving antenna.
- Increase the separation between the equipment and receiver.
- Connect the equipment into an outlet on a circuit different from that to which the receiver is connected.
- Consult the dealer or an experienced radio/TV technician for help

LABELING REQUIREMENTS:

The Original Equipment Manufacturer (OEM) must ensure that FCC labelling requirements are met. This includes a clearly visible label on the outside of the OEM enclosure specifying the appropriate Cypress Semiconductor FCC identifier for this product as well as the FCC Notice above. The FCC identifier is FCC ID: TBD.

In any case the end product must be labeled exterior with "Contains FCC ID: TBD".

ANTENNA WARNING:

This device is tested with a standard SMA connector and with the antenna listed in [Table 7](#) on page 14. When integrated in the OEMs product, this fixed antenna requires installation preventing end-users from replacing them with non-approved antennas. Any antenna not in [Table 7](#) on page 14 must be tested to comply with FCC Section 15.203 for unique antenna connectors and Section 15.247 for emissions.

RF EXPOSURE:

To comply with FCC RF Exposure requirements, the Original Equipment Manufacturer (OEM) must ensure to install the approved antenna in the previous.

The preceding statement must be included as a CAUTION statement in manuals, for products operating with the approved antennas in [Table 7](#) on page 14, to alert users on FCC RF Exposure compliance. Any notification to the end user of installation or removal instructions about the integrated radio module is not allowed.

The radiated output power of CYBT-423028-02 with the integrated PCB trace antenna (FCC ID: TBD) is far below the FCC radio frequency exposure limits. Nevertheless, use CYBT-423028-02 in such a manner that minimizes the potential for human contact during normal operation.

End users may not be provided with the module installation instructions. OEM integrators and end users must be provided with transmitter operating conditions for satisfying RF exposure compliance.

ISED

Innovation, Science and Economic Development (ISED) Canada Certification

CYBT-423028-02 is licensed to meet the regulatory requirements of Innovation, Science and Economic Development (ISED) Canada.

License: IC: TBD

Manufacturers of mobile, fixed or portable devices incorporating this module are advised to clarify any regulatory questions and ensure compliance for SAR and/or RF exposure limits. Users can obtain Canadian information on RF exposure and compliance from www.ic.gc.ca.

This device has been designed to operate with the antennas listed in [Table 7](#) on page 14, having a maximum gain of -0.5 dBi. Antennas not included in [Table 7](#) on page 14 or having a gain greater than -0.5 dBi are strictly prohibited for use with this device. The required antenna impedance is 50 ohms. The antenna used for this transmitter must not be co-located or operating in conjunction with any other antenna or transmitter.

ISED NOTICE:

The device CYBT-423028-02 including the built-in trace antenna complies with Canada RSS-GEN Rules. The device meets the requirements for modular transmitter approval as detailed in RSS-GEN. Operation is subject to the following two conditions: (1) This device may not cause harmful interference, and (2) This device must accept any interference received, including interference that may cause undesired operation.

L'appareil CYBT-423028-02, y compris l'antenne intégrée, est conforme aux Règles RSS-GEN de Canada. L'appareil répond aux exigences d'approbation de l'émetteur modulaire tel que décrit dans RSS-GEN. L'opération est soumise aux deux conditions suivantes: (1) Cet appareil ne doit pas causer d'interférences nuisibles, et (2) Cet appareil doit accepter toute interférence reçue, y compris les interférences pouvant entraîner un fonctionnement indésirable.

ISED INTERFERENCE STATEMENT FOR CANADA

This device complies with Innovation, Science and Economic Development (ISED) Canada licence-exempt RSS standard(s). Operation is subject to the following two conditions: (1) this device may not cause interference, and (2) this device must accept any interference, including interference that may cause undesired operation of the device.

Cet appareil est conforme à la norme sur l'innovation, la science et le développement économique (ISED) norme RSS exempte de licence. L'exploitation est autorisée aux deux conditions suivantes : (1) l'appareil ne doit pas produire de brouillage, et (2) l'utilisateur de l'appareil doit accepter tout brouillage radioélectrique subi, même si le brouillage est susceptible d'en compromettre le fonctionnement.

ISED RADIATION EXPOSURE STATEMENT FOR CANADA

This equipment complies with ISED radiation exposure limits set forth for an uncontrolled environment.

Cet équipement est conforme aux limites d'exposition aux radiations ISED prévues pour un environnement incontrôlé.

LABELING REQUIREMENTS:

The Original Equipment Manufacturer (OEM) must ensure that ISED labelling requirements are met. This includes a clearly visible label on the outside of the OEM enclosure specifying the appropriate Cypress Semiconductor IC identifier for this product as well as the ISED Notices above. The IC identifier is TBD. In any case, the end product must be labeled in its exterior with "Contains IC: TBD".

Le fabricant d'équipement d'origine (OEM) doit s'assurer que les exigences d'étiquetage ISED sont respectées. Cela comprend une étiquette clairement visible à l'extérieur de l'enceinte OEM spécifiant l'identifiant Cypress Semiconductor IC approprié pour ce produit ainsi que l'avis ISED ci-dessus. L'identificateur IC est TBD. En tout cas, le produit final doit être étiqueté dans son extérieur avec "Contient IC: TBD".

European Declaration of Conformity

Hereby, Cypress Semiconductor declares that the Bluetooth module CYBT-423028-02 complies with the essential requirements and other relevant provisions of Directive 2014. As a result of the conformity assessment procedure described in Annex III of the Directive 2014, the end-customer equipment should be labeled as follows:



All versions of the CYBT-423028-02 in the specified reference design can be used in the following countries: Austria, Belgium, Cyprus, Czech Republic, Denmark, Estonia, Finland, France, Germany, Greece, Hungary, Ireland, Italy, Latvia, Lithuania, Luxembourg, Malta, Poland, Portugal, Slovakia, Slovenia, Spain, Sweden, The Netherlands, the United Kingdom, Switzerland, and Norway.

MIC Japan

More Part Numbers is certified as a module with certification number TBD. End products that integrate More Part Numbers do not need additional MIC Japan certification for the end product.

End product can display the certification label of the embedded module.

Packaging

Table 28. Solder Reflow Peak Temperature

Module Part Number	Package	Maximum Peak Temperature	Maximum Time at Peak Temperature	No. of Cycles
CYBT-423028-02	28-pad SMT	260 °C	30 seconds	2

Table 29. Package Moisture Sensitivity Level (MSL), IPC/JEDEC J-STD-2

Module Part Number	Package	MSL
CYBT-423028-02	28-pad SMT	MSL 3

The CYBT-423028-02 is offered in tape and reel packaging. [Figure 20](#) details the tape dimensions used for the CYBT-423028-02.

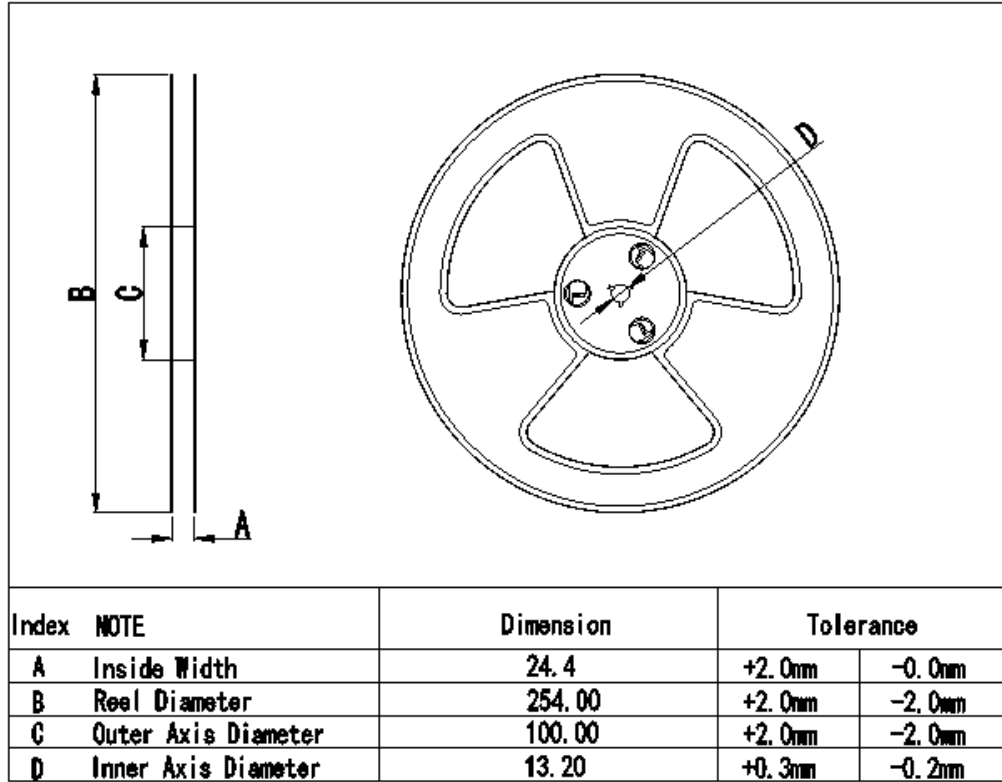
Figure 20. CYBT-423028-02 Tape Dimensions (TBD)

[Figure 21](#) details the orientation of the CYBT-423028-02 in the tape as well as the direction for unreeling.

Figure 21. Component Orientation in Tape and Unreeling Direction (TBD)

Figure 22 details reel dimensions used for the CYBT-423028-02.

Figure 22. Reel Dimensions



The CYBT-423028-02 is designed to be used with pick-and-place equipment in an SMT manufacturing environment. The center-of-mass for the CYBT-423028-02 is detailed in [Figure 23](#).

Figure 23. CYBT-423028-02 Center of Mass (TBD)

Ordering Information

Table 30 lists the CYBT-423028-02 part number and features. Table 30 also lists the target program for the respective module ordering codes. Table 31 lists the reel shipment quantities for the CYBT-423028-02.

Table 30. Ordering Information

Ordering Part Number	Max CPU Speed (MHz)	Flash Size (KB)	RAM Size (KB)	UART	I ² C	SPI	I ² S	PCM	PWM	ADC Inputs	GPIOs	Package	Packaging
CYBT-423028-02	96	1024	512	Yes	Yes	Yes	Yes	Yes	6	11	17	28-SMT	Tape and Reel

Table 31. Tape and Reel Package Quantity and Minimum Order Amount

Description	Minimum Reel Quantity	Maximum Reel Quantity	Comments
Reel Quantity	500	500	Ships in 500 unit reel quantities.
Minimum Order Quantity (MOQ)	500	–	–
Order Increment (OI)	500	–	–

The CYBT-423028-02 is offered in tape and reel packaging. The CYBT-423028-02 ships in a reel size of 500 units.

For additional information and a complete list of Cypress Semiconductor Bluetooth products, contact your local Cypress sales representative. To locate the nearest Cypress office, visit our website.

U.S. Cypress Headquarters Address	198 Champion Court, San Jose, CA 95134
U.S. Cypress Headquarter Contact Info	(408) 943-2600
Cypress website address	http://www.cypress.com

Acronyms

Table 32. Acronyms Used in this Document

Acronym	Description
BLE	Bluetooth Low Energy
Bluetooth SIG	Bluetooth Special Interest Group
CE	European Conformity
CSA	Canadian Standards Association
EMI	electromagnetic interference
ESD	electrostatic discharge
FCC	Federal Communications Commission
GPIO	general-purpose input/output
ISED	Innovation, Science and Economic Development (Canada)
IDE	integrated design environment
KC	Korea Certification
MIC	Ministry of Internal Affairs and Communications (Japan)
PCB	printed circuit board
RX	receive
QDID	qualification design ID
SMT	surface-mount technology; a method for producing electronic circuitry in which the components are placed directly onto the surface of PCBs
TCPWM	timer, counter, pulse width modulator (PWM)
TUV	Germany: Technischer Überwachungs-Verein (Technical Inspection Association)
TX	transmit

Document Conventions

Units of Measure

Table 33. Units of Measure

Symbol	Unit of Measure
°C	degree Celsius
kV	kilovolt
mA	milliamperes
mm	millimeters
mV	millivolt
µA	microamperes
µm	micrometers
MHz	megahertz
GHz	gigahertz
V	volt

Document History Page

Document Title: CYBT-423028-02 EZ-BT™ WICED® Module				
Document Number: 002-23238				
Revision	ECN	Orig. of Change	Submission Date	Description of Change
**		DSO	03/06/2018	Preliminary datasheet for CYBT-423028-02 module.

Sales, Solutions, and Legal Information

Worldwide Sales and Design Support

Cypress maintains a worldwide network of offices, solution centers, manufacturer's representatives, and distributors. To find the office closest to you, visit us at [Cypress Locations](#).

Products

ARM® Cortex® Microcontrollers	cypress.com/arm
Automotive	cypress.com/automotive
Clocks & Buffers	cypress.com/clocks
Interface	cypress.com/interface
Internet of Things	cypress.com/iot
Memory	cypress.com/memory
Microcontrollers	cypress.com/mcu
PSoC	cypress.com/psoc
Power Management ICs	cypress.com/pmic
Touch Sensing	cypress.com/touch
USB Controllers	cypress.com/usb
Wireless Connectivity	cypress.com/wireless

PSoC® Solutions

[PSoC 1](#) | [PSoC 3](#) | [PSoC 4](#) | [PSoC 5LP](#) | [PSoC 6](#)

Cypress Developer Community

[Forums](#) | [WICED IOT Forums](#) | [Projects](#) | [Video](#) | [Blogs](#) | [Training](#) | [Components](#)

Technical Support

cypress.com/support

© Cypress Semiconductor Corporation, 2018. This document is the property of Cypress Semiconductor Corporation and its subsidiaries, including Spansion LLC ("Cypress"). This document, including any software or firmware included or referenced in this document ("Software"), is owned by Cypress under the intellectual property laws and treaties of the United States and other countries worldwide. Cypress reserves all rights under such laws and treaties and does not, except as specifically stated in this paragraph, grant any license under its patents, copyrights, trademarks, or other intellectual property rights. If the Software is not accompanied by a license agreement and you do not otherwise have a written agreement with Cypress governing the use of the Software, then Cypress hereby grants you a personal, non-exclusive, nontransferable license (without the right to sublicense) (1) under its copyright rights in the Software (a) for Software provided in source code form, to modify and reproduce the Software solely for use with Cypress hardware products, only internally within your organization, and (b) to distribute the Software in binary code form externally to end users (either directly or indirectly through resellers and distributors), solely for use on Cypress hardware product units, and (2) under those claims of Cypress's patents that are infringed by the Software (as provided by Cypress, unmodified) to make, use, distribute, and import the Software solely for use with Cypress hardware products. Any other use, reproduction, modification, translation, or compilation of the Software is prohibited.

TO THE EXTENT PERMITTED BY APPLICABLE LAW, CYPRESS MAKES NO WARRANTY OF ANY KIND, EXPRESS OR IMPLIED, WITH REGARD TO THIS DOCUMENT OR ANY SOFTWARE OR ACCOMPANYING HARDWARE, INCLUDING, BUT NOT LIMITED TO, THE IMPLIED WARRANTIES OF MERCHANTABILITY AND FITNESS FOR A PARTICULAR PURPOSE. To the extent permitted by applicable law, Cypress reserves the right to make changes to this document without further notice. Cypress does not assume any liability arising out of the application or use of any product or circuit described in this document. Any information provided in this document, including any sample design information or programming code, is provided only for reference purposes. It is the responsibility of the user of this document to properly design, program, and test the functionality and safety of any application made of this information and any resulting product. Cypress products are not designed, intended, or authorized for use as critical components in systems designed or intended for the operation of weapons, weapons systems, nuclear installations, life-support devices or systems, other medical devices or systems (including resuscitation equipment and surgical implants), pollution control or hazardous substances management, or other uses where the failure of the device or system could cause personal injury, death, or property damage ("Unintended Uses"). A critical component is any component of a device or system whose failure to perform can be reasonably expected to cause the failure of the device or system, or to affect its safety or effectiveness. Cypress is not liable, in whole or in part, and you shall and hereby do release Cypress from any claim, damage, or other liability arising from or related to all Unintended Uses of Cypress products. You shall indemnify and hold Cypress harmless from and against all claims, costs, damages, and other liabilities, including claims for personal injury or death, arising from or related to any Unintended Uses of Cypress products.

Cypress, the Cypress logo, Spansion, the Spansion logo, and combinations thereof, WICED, PSoC, CapSense, EZ-USB, F-RAM, and Traveo are trademarks or registered trademarks of Cypress in the United States and other countries. For a more complete list of Cypress trademarks, visit cypress.com. Other names and brands may be claimed as property of their respective owners.