



# Quick Installation Guide

## Access Point

This document will guide you through the basic installation process for your new D-Link Business Cloud Wave 2 Access Point

**DBA-1520P**



Quick Installation Guide

Documentation is also available on the D-Link website

## Before You Begin

This installation guide provides instructions for installing the DBA-1520P on your network. Additional documentation is also available on the D-Link support website.

- **D-Link Nuclias User Manual:** For additional information and instructions on how to configure the device using the D-Link Nuclias cloud.

## Package Contents

This DBA-1520P package should include the following items:

- 1 x DBA-1520P
- 1 x Power adapter (optional)\*
- 1 x Mounting kit

If any of the above items are damaged or missing, please contact your local D-Link reseller.

\*If the power adapter is not included, it can be purchased separately. Please contact your local D-Link reseller.

## Setup Preparation

Please ensure that the following items are readily available before continuing the installation process:

- An active D-Link Nuclias account.
- An active Internet connection to connect to the D-Link Nuclias cloud.
- A valid device license. Contact your D-Link Nuclias service provider for more information.

## System Requirements

- A PC or laptop with a working Ethernet adapter or wireless interface.
- Mozilla Firefox 52.0 or higher, Internet Explorer 11 or higher, Safari 10.1 or higher, Google Chrome 59 or higher.
- OS X 10.8.5, Windows 7, Linux (Ubuntu 12) or higher.

## Hardware Overview

### LED Indicators

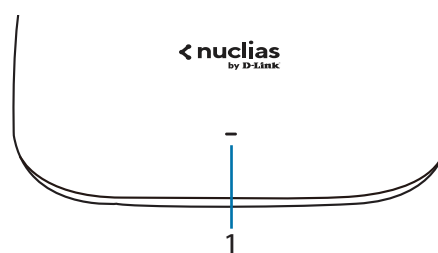


Figure 1: Front Panel LED

#	LED	Status	Description
1	Power/Cloud	Solid orange	The DBA-1520P is booting up.
		Blinking orange	The DBA-1520P is resetting to its default settings or is upgrading its firmware.
		Blinking green	The DBA-1520P is connecting to the D-Link Nuclias cloud.
		Solid green	The DBA-1520P is in cloud mode.
		Solid red	The DBA-1520P is not working properly in cloud mode.

Table 1: LED Description

### Interface Connectors

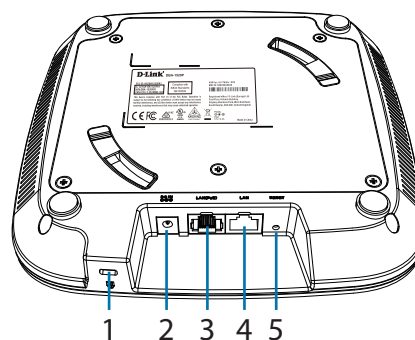


Figure 2: Rear Connectors

#	Connector	Description
1	Lock slot	Slot to use with the lock plate for inserting a physical lock to secure the DBA-1520P to the mounting plate (optional).
2	Power input	Input for the power adapter (optional).
3	PoE LAN port	Gigabit RJ-45 port for data and Power over Ethernet (PoE) power.
4	Console Port	RJ-45 port to connect the RJ-45 console cable for CLI management.
5	Reset button	Used for rebooting or resetting the device back to factory default settings.

Table 2: Interface Description

## Powering the Access Point

The DBA-1520P can be powered using one of the following two methods:

### Using Power over Ethernet (PoE)

1. Use a standard Ethernet cable to connect the LAN port on the DBA-1520P to a PoE power source device such as a PoE switch or PoE injector.

### (Optional) Using the power adapter

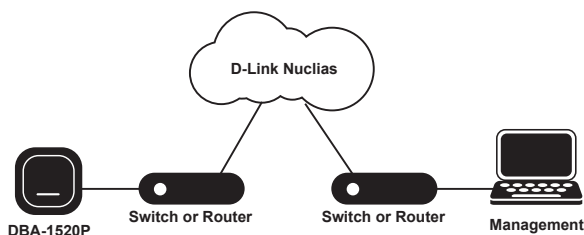
1. Connect the power connector of the adapter to the power input on the DBA-1520P and plug the adapter into a nearby power outlet.

## Configuring the Access Point

### Using D-Link Nuclias

**Note:** To use D-Link Nuclias, the DBA-1520P must be connected to the Internet.

The DBA-1520P is designed to be managed through the D-Link Nuclias cloud. Refer to the D-Link Nuclias User Manual for detailed configuration instructions.



**Figure 3: Connecting through D-Link Nuclias**

1. On an Internet-connected PC, open a web browser and go to **www.nuclias.com**.
2. Enter your D-Link Nuclias user name and password.

If a device's login credentials are modified using Nuclias Cloud, the local username and password will also reflect the changes made. To learn more about configuring your password, please refer to the Nuclias Cloud manual.

### Manual Configuration

**Note:** D-Link recommends manually configuring the device before mounting it.

If you are unable to connect to the D-Link Nuclias cloud, you may need to manually configure the DBA-1520P using its web user interface (UI). Refer to the Nuclias Cloud Manual for detailed configuration instructions.

Use one of the following methods to access the web user interface:

### Connecting through Ethernet

**Note:** The management PC must be in the same subnet as the DBA-1520P.

1. Use an Ethernet cable to connect the DBA-1520P to the management PC or to the switch or router the management PC is connected to.
2. Open a web browser and type in the default host name of the DBA-1520P and press **Enter**. The default host name is **DBA-1520P-XXXX** where **XXXX** represents the last 4 characters of the MAC address listed on the device label located on the bottom of the device.
3. When prompted, enter the default login credentials:  
User name: **admin**  
Password: **admin**

### Connecting wirelessly

1. Connect the management PC to the default SSID of the DBA-1520P. The SSID will be in the format **DBA-1520P-XXX** where **XXXX** represents the last 4 characters of the MAC address listed on the device label located on the bottom of the device.
2. Open a web browser and type in the default host name of the DBA-1520P and press **Enter**. The default host name is **DBA-1520P-XXXX** where **XXXX** represents the last 4 characters of the MAC address listed on the device label located on the bottom of the device.
3. When prompted, enter the default login credentials:  
User name: **admin**  
Password: **admin**

## Attaching the Rubber Pads

The included rubber pads can be placed on the bottom of the device to prevent the device from damaging the surface it is placed on.

1. Remove the rubber pads from the adhesive strip.
2. Stick one pad on each foot on the bottom panel of the access point.

## Mounting the Access Point

The DBA-1520P can be mounted on a wall or ceiling for optimal coverage.

### Mounting on a Solid Wall or Ceiling

1. **(Optional)** Attach the included lock plate to the mounting plate using the included screws.

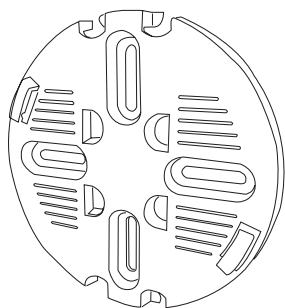


Figure 4: Attaching the Lock Plate

2. Use the mounting plate to mark the location where to drill the holes in the wall or ceiling.

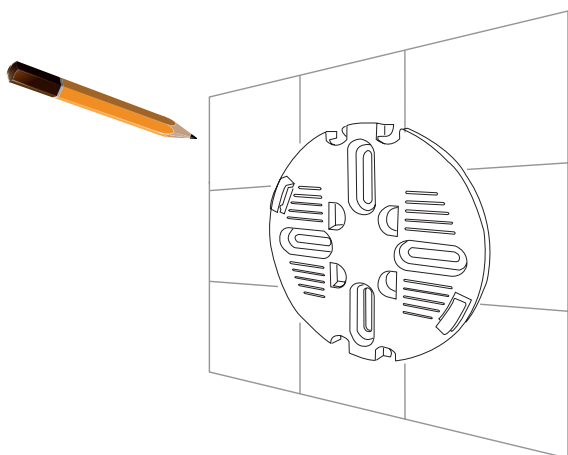


Figure 5: Mounting Panel Marking

3. Drill holes on the markings and place the included anchors into the drilled holes.

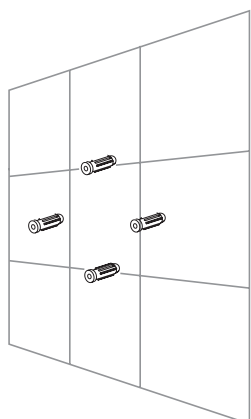


Figure 6: Placing Anchors

4. Align and place the mounting plate on top of the anchors and use the included screws to secure the mounting plate to the surface.

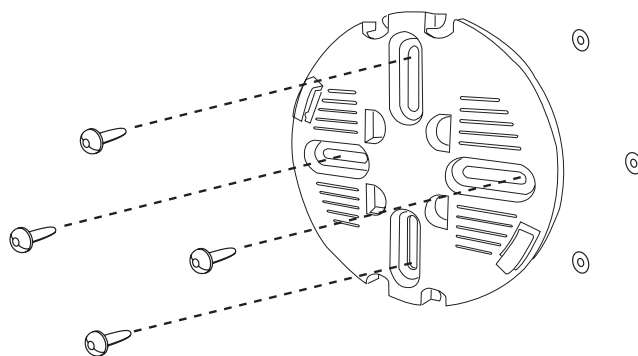


Figure 7: Securing the Mounting Plate

5. Connect the Ethernet cable and power adapter **(optional)** to the device.
6. Slide the DBA-1520P onto the mounting plate.

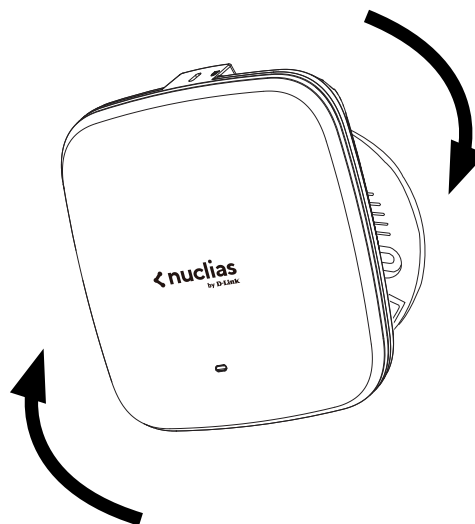


Figure 8: Placing The Access Point

### Mounting on a Ceiling Crossbar

1. **(Optional)** Attach the included lock plate to the mounting plate using the included screws.

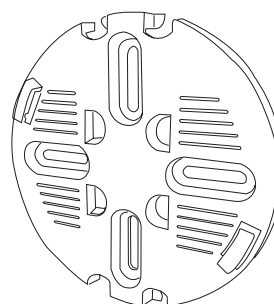


Figure 9: Attaching the Lock Plate

- Clip the two included ceiling brackets onto the ceiling crossbar. Make sure both brackets are positioned in line with each other.

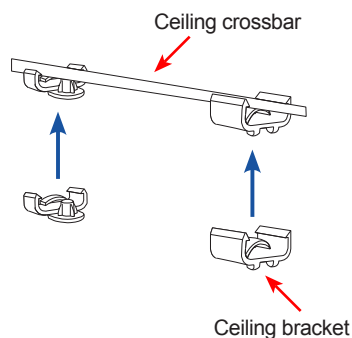


Figure 10: Attaching the Ceiling Brackets

- Using the included screws, secure the mounting plate to the ceiling brackets.

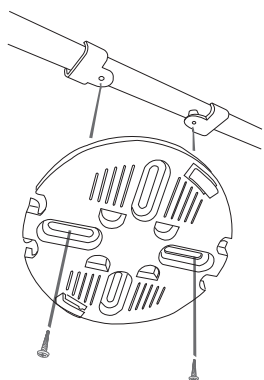


Figure 11: Attaching Mounting Plate

- Connect the Ethernet cable and power adapter (**optional**) to the device.
- Slide the DBA-1520P onto the mounting plate.

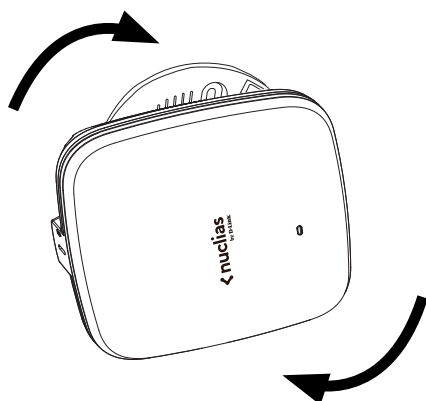


Figure 12: Securing the Access Point

## Locking the DBA-1520P

If the lock plate was attached, insert a lock through the device's lock slot to secure the DBA-1520P to the mounting plate.

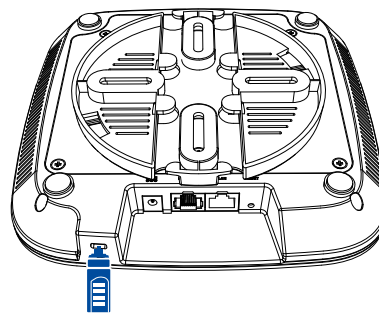


Figure 13: Inserting a Physical Lock

## Reboot/Reset the Access Point

If necessary, the DBA-1520P can be manually rebooted or reset to factory default settings.

### Rebooting the device

Press and hold down the reset button between **2 to 5 seconds** and release to reboot the device.

### Resetting the device

Press and hold down the reset button between **6 to 15 seconds** and release to reset the device to its factory default settings.

Press and hold down the reset button for **more than 15 seconds** and release to reset the device to its factory default settings and force the device to load an alternate firmware.

## Troubleshooting

The DBA-1520P receives its configuration settings and is managed through the D-Link Nuclias cloud.

If you are experiencing problems connecting to the D-Link Nuclias cloud, check your Internet connection. If you still cannot connect to the service, additional configuration on the device may be required. Refer to the DBA-1520P User Nuclias Cloud Manual for detailed information on how to manually configure the device.

## Additional Information

For additional support, please refer to the user manual, or visit your local D-Link support website.

**Warning:** The DBA-1520P is designed to receive PoE power only from an 802.3at compliant source, or from a D-Link-approved power adapter. Connecting an access point to a Power over Ethernet (PoE) device that is not approved by D-Link can damage the equipment.

**Warning:** This product is to be connected only to PoE networks without routing to the outside plant. The equipment power cord must be connected to a socket-outlet earthing connection.

## Appendix - Statements

### Federal Communication Commission Interference Statement

This device complies with Part 15 of the FCC Rules. Operation is subject to the following two conditions: (1) This device may not cause harmful interference, and (2) this device must accept any interference received, including interference that may cause undesired operation.

This equipment has been tested and found to comply with the limits for a Class B digital device, pursuant to Part 15 of the FCC Rules. These limits are designed to provide reasonable protection against harmful interference in a residential installation. This equipment generates, uses and can radiate radio frequency energy and, if not installed and used in accordance with the instructions, may cause harmful interference to radio communications. However, there is no guarantee that interference will not occur in a particular installation. If this equipment does cause harmful interference to radio or television reception, which can be determined by turning the equipment off and on, the user is encouraged to try to correct the interference by one of the following measures:

- ) Reorient or relocate the receiving antenna.
- ) Increase the separation between the equipment and receiver.
- ) Connect the equipment into an outlet on a circuit different from that
- ) to which the receiver is connected.
- ) Consult the dealer or an experienced radio/TV technician for help.

**FCC Caution:** Any changes or modifications not expressly approved by the party responsible for compliance could void the user's authority to operate this equipment.

This transmitter must not be co-located or operating in conjunction with any other antenna or transmitter.

Operations in the 5.15-5.25GHz band are restricted to indoor usage only.

### **Radiation Exposure Statement:**

This equipment complies with FCC radiation exposure limits set forth for an uncontrolled environment. This equipment should be installed and operated with minimum distance 32cm between the radiator & your body.

### Industry Canada statement:

This device complies with ISED's licence-exempt RSSs. Operation is subject to the following two conditions: (1) This device may not cause harmful interference, and (2) this device must accept any interference received, including interference that may cause undesired operation.

Le présent appareil est conforme aux CNR d'ISED applicables aux appareils radio exempts de licence. L'exploitation est autorisée aux deux conditions suivantes : (1) le dispositif ne doit pas produire de brouillage préjudiciable, et (2) ce dispositif doit accepter tout brouillage reçu, y compris un brouillage susceptible de provoquer un fonctionnement indésirable.

### **Caution :**

(i) the device for operation in the band 5150-5250 MHz is only for indoor use to reduce the potential for harmful interference to co-channel mobile satellite systems;

(iii) where applicable, antenna type(s), antenna models(s), and worst-case tilt angle(s) necessary to remain compliant with the e.i.r.p. elevation mask requirement set forth in section 6.2.2.3 shall be clearly indicated.

**Avertissement:**

(i) les dispositifs fonctionnant dans la bande 5150-5250 MHz sont réservés uniquement pour une utilisation à l'intérieur afin de réduire les risques de brouillage préjudiciable aux systèmes de satellites mobiles utilisant les mêmes canaux;

(iii) lorsqu'il y a lieu, les types d'antennes (s'il y en a plusieurs), les numéros de modèle de l'antenne et les pires angles d'inclinaison nécessaires pour rester conforme à l'exigence de la p.i.r.e. applicable au masque d'élévation, énoncée à la section 6.2.2.3, doivent être clairement indiqués.

**Radiation Exposure Statement:**

This equipment complies with ISED radiation exposure limits set forth for an uncontrolled environment. This equipment should be installed and operated with greater than 38cm between the radiator & your body.

**Declaration d'exposition aux radiations:**

Cet équipement est conforme aux limites d'exposition aux rayonnements ISED établies pour un environnement non contrôlé. Cet équipement doit être installé et utilisé à plus de 38cm entre le radiateur et votre corps.

**CE Mark Warning:**

This is a Class B product. In a domestic environment, this product may cause radio interference, in which case the user may be required to take adequate measures.

**NCC Statement:**

經型式認證合格之低功率射頻電機，非經許可，公司、商號或使用者均不得擅自變更頻率、加大功率或變更原設計之特性及功能。

低功率射頻電機之使用不得影響飛航安全及干擾合法通信；經發現有干擾現象時，應立即停用，並改善至無干擾時方得繼續使用。前項合法通信，指依電信法規定作業之無線電通信。低功率射頻電機須忍受合法通信或工業、科學及醫療用電波輻射性電機設備之干擾。5.25-5.35 GHz頻帶內操作之無線資訊傳輸設備，限於室內使用。

**DBA-1520P****Power Usage**

This device is an Energy Related Product (ErP) with High Network Availability (HiNA), and automatically switches to a power-saving Network Standby mode within 1 minute of no packets being transmitted. It can also be turned off through a power switch to save energy when it is not needed.

Network Standby: 2.396 watts

## Product and Warranty Information

To find out more about D-Link products or marketing information, please visit the website <http://www.dlink.com>.

The D-Link Limited Lifetime Warranty information is available at <http://warranty.dlink.com/>



**D-Link<sup>®</sup>**



Ver. 1.00(WW)\_130x183  
2020/01/03