

D-Link[®] *D-Link CORPORATION*

FCC ID.: KA2FEPC 66002

EXHIBIT 4

User Manual

MODEL: FARE PC 6602

D-Link[®] Ethernet/Fast Ethernet PC Card



D-Link[®]
Lifetime *
Warranty

**10/100MBPS
ETHERNET/FAST ETHERNET
CARDBUS ADAPTER FOR
PORTABLE PCS**



Simple plug-and-play installation

FREE lifetime customer support

Easy notebook connectivity to today's most popular networks

Trouble-free network access with "hot swap" capability

D-Link[®]

User's Guide

D-Link[®]

10/100 Ethernet PC Card for CardBus

Model DFE-660TX

User's Guide

Rev. 01 (November, 1997)

6DFE660 TX.01

Printed in Taiwan



RECYCLABLE

FOO EQKAF25E0066072

Trademarks

Copyright © D-Link Corporation.
Contents subjected to revision without prior notice.
D-Link is a registered trademark of D-Link Corporation / D-Link Systems, Inc. All other trademarks belong to their owners.

Copyright Statement

No part of this publication may be reproduced in any form or by any means or used to make any derivative (such as translation, transformation or adaptation) without permission from the D-Link Corporation / D-Link Systems Inc., as stipulated by the United States Copyright Act of 1976.

FCC Warning

DFE-660TX FCC Class B ID KA2FEPC66001

This equipment has been tested and found to comply with the limits for a Class B digital device, pursuant to Part 15 of the FCC Rules. These limits are designed to provide reasonable protection against harmful interference in a residential installation. This equipment generates, uses and can radiate radio frequency energy and, if not installed and used in accordance with the instructions, may cause harmful interference to radio communications. However, there is no guarantee that interference will not occur in a particular installation. If this equipment does cause harmful interference to radio or television reception, which can be determined by turning the equipment off and on, the user is encouraged to try to correct the interference by one or more of the following measures:

- Reorient or relocate the receiving antenna.
- Increase the separation between the equipment and receiver.
- Connect the equipment into an outlet on a circuit different from that to which the receiver is connected.
- Consult the dealer or an experienced radio/TV technician for help.

Shielded interface cables must be used in order to comply with emission limits.

You are cautioned that changes or modifications not expressly approved by the party responsible for compliance could void your authority to operate the equipment.

This device complies with Part 15 of the FCC rules. Operation is subject to the following two conditions: (1) This device may not cause harmful interference, and (2) This device must accept any interference received, including interference that cause undesired operation.

LIMITED WARRANTY

Hardware:

D-Link warrants its hardware products to be free from defects in workmanship and materials, under normal use and service, for the following lengths of time from the date of purchase from D-Link or its authorized reseller:

Product Type	Warranty Period
Network adapters	Lifetime
Unmanaged and managed hubs*	Lifetime
Repeaters, MAUs, transceivers, media converters	One year
Concentrators	One year
Internetworking products	One year
Other hardware products	One year
Spare parts and spare kits	90 days
* Power supply and fans in these devices	One year

If a product does not operate as warranted during the applicable warranty period, D-Link shall, at its option and expense, (1) repair the defective product or part, (2) deliver to Customer an equivalent product or part to replace the defective item. All products that are replaced will become the property of D-Link. Replacement products may be new or reconditioned. Any replaced or repaired product or part has a ninety (90) day warranty or the remainder of the initial warranty period, whichever is longer.

D-Link shall not be responsible for any software, firmware, information, or memory data of Customer contained in, stored on, or integrated with any products returned to D-Link pursuant to any warranty.

All products with lifetime warranty have a standard five-year warranty. To qualify for lifetime warranty, the enclosed Product Registration Card must be completed and returned to D-Link within ninety (90) days of purchase.

Warranty service may be obtained by contacting a D-Link office for a Return Material Authorization (RMA) number. See list of office locations at the end of this manual. If a Product Registration Card has not been previously sent, proof of purchase, such as a copy of the dated purchase invoice, must be provided. Once an RMA number is issued, the defective product must be shipped back to D-Link prepaid, insured and wrapped in the original or similar shipping package to ensure that it will not be damaged during shipment. When returning the defective product to D-Link for service, the RMA number must be marked on the outside of the shipping package. Any product returned without an RMA number shall be rejected and sent back to the Customer, and D-Link reserves the right to have Customer bear the cost of sending back such products. A service charge may or may not be levied to Customer by D-Link. To find out if a service charge is levied or not, and the charged amount, read the RMA that is returned to Customer, or ask the D-Link office when an RMA is requested.

Software

D-Link warrants that the software programs licensed from it will perform in substantial conformance to the applicable published program specifications for a period of ninety(90) days from the date of purchase from D-Link or its authorized reseller. D-Link warrants the magnetic media containing software against failure during the warranty period. No updates are provided. D-Link's sole obligation hereunder shall be to replace any defective software products with products which substantially conform to D-Link's applicable published specifications. Customer assumes responsibility for the selection of the appropriate applications program and associated reference materials. D-Link makes no warranty that its software products will work in combination with any hardware of applications software products provided by third party, that the operation of the software products will be uninterrupted or error free, or that all defects in the software product will be corrected. For any third party products listed in the D-Link software product documentation or specifications as being compatible. D-Link will make reasonable efforts to provide compatibility, except where the non-compatibility is caused by "bug" or defect in the third party's product.

Warranty service for software products may be obtained by contacting a D-Link office within the warranty period. See list of office locations at the end of this manual. Where no Product Registration Card has been sent by Customer, proof of purchase, such as a copy of the dated purchased invoice, must be provided.

WARRANTIES EXCLUSIVE

If the D-Link product does not operate as warranted above, the customer's sole remedy shall be, at D-Link's option, repair or replacement. The foregoing warranties and remedies are exclusive and are in lieu of all other warranties, expressed or implied, either in fact or by operation of law, statutory or otherwise, including warranties of merchantability and fitness for a particular purpose. D-Link neither assumes nor authorizes any other person to assume for it any other liability in connection with the sale, installation maintenance or use of D-Link's products.

D-Link shall not be liable under this warranty if its testing and examination disclose that the alleged defect in the product does not exist or was caused by the customer's or any third person's misuse, neglect, improper installation or testing, unauthorized attempts to repair, or any other cause beyond the range of the intended use, or by accident, fire, lightning or other hazard.

LIMITATION OF LIABILITY

In no event will D-Link be liable for any damages, including loss of data, loss of profits, cost of cover or other incidental, consequential or indirect damages arising out the installation, maintenance, use, performance, failure or interruption of a D-Link product, however caused and on any theory of liability. This limitation will apply even if D-Link has been advised of the possibility of such damage.

If you purchased a D-Link product in the United States, some states do not allow the limitation or exclusion of liability for incidental or consequential damages, so the above limitation may not apply to you.

Table of Contents

1. INTRODUCTION	1
General Description	1
About Fast Ethernet	2
About Autonegotiation.....	3
LED Indicators	5
Summary of Features	6
2. HARDWARE INSTALLATION	8
Unpack and Inspect	8
Hardware Installation	9
Remove the PC Card.....	12
Connect the Network Cable	14
Connecting for Fast Ethernet.....	14
Connecting for 10Mbps Ethernet	15
3. SOFTWARE INSTALLATION	16
Run Installation Director	16
Installing 16-bit NetWare Client for Dos.....	17
A. TROUBLESHOOTING	18
Troubleshooting the Hardware Installation	18
Troubleshooting the Software Installation	18
B. DFE-660TX SPECIFICATIONS	22

Introduction

Thank you for choosing D-Link DFE-660TX, the value leader among Ethernet / Fast Ethernet adapters for CardBus notebook PCs. This chapter provides a general description of DFE-660TX features, with a summary of features at the end of the chapter. Installation instructions are given in Chapters 2 and 3.

General Description

The D-Link DFE-660TX 10/100 Ethernet PC Card for CardBus notebook PCs is a credit-card sized Ethernet / Fast-Ethernet adapter for connecting a notebook PC to an IEEE 802.3 or 802.3u Ethernet network. The notebook PC must be equipped with CardBus (32 bit) extension bus and Type II or Type III PC Card slot (s).

NOTE: The terms "PC Card" and "CardBus" are used throughout this manual to refer to those objects as defined in the PCMCIA / PC Card standards published by Personal Computer Memory Card Industry Association (PCMCIA). The term "slot" is used in this manual is synonymous with "socket" where the standards use the latter term in reference to the physical receptacles of a host notebook computer, for insertion/connection of PC Cards. More information on the standards is available from PCMCIA's www server at <http://www.pc-card.com>.

The DFE-660TX automatically detects the parameters of its Ethernet environment, and automatically negotiates and determines its own speed and duplex settings as required for maximum performance in its environment. (The autonegotiation function is effective only when the DFE-660TX is connected to the network by a device (switch or hub) which also has autonegotiation functionality.)

Inside its compact case, the D-Link DFE-660TX holds an Ethernet controller, network processing interface, a 68-pin PC Card Standard front-end plug which connects to the notebook PC, and a 15-pin back-end receptacle for connecting the media coupler. The DFE-660TX requires no pre-installation setup -- simply insert its front end into the notebook PC's PC-Card slot.

The DFE-660TX is supplied with a media coupler which plugs into the back end (15-pin receptacle) of the DFE-660TX. The other end of the media coupler has an RJ-45 receptacle which receives the network cable. The media coupler features LED indicators for linkage and activity states, and for the speed and duplex settings.

About Fast Ethernet

Fast Ethernet is a network technology specified by IEEE Standard 802.3u. It extends the traditional 10Mbps (10 megabit/sec) Ethernet technology to achieve 100Mbps (100 megabit/sec) transmission and reception. Because Fast Ethernet retains the traditional Ethernet CSMA/CD (Carrier Sense, Multiple Access, Collision Detect) protocol, it remains wholly compatible with 10Mbps Ethernet while providing a tenfold increase in network capacity.

The Fast Ethernet standard specifies three subtypes, corresponding to three media types:

100Base-TX (using two twisted pairs in EIA 568 Category 5 UTP or STP cable)

100Base-T4 (using four twisted pairs in a Category 3, Category 4, or Category 5 UTP cable)

100Base-FX (using two fiber-optic strands).

The DFE-660TX provides half-duplex 100Base-TX operation (in Category 5 twisted-pair cable environments). It does not provide 100Base-T4 or 100Base-FX operation. To provide for traditional 10Mbps Ethernet operation in twisted-pair cable environments, the DFE-660TX also offers 10Mbps Ethernet operation, in full-duplex and half-duplex modes. The DFE-660TX's autonegotiation capability provides for automatic selection of the best operation mode.

About Autonegotiation

The basic idea of autonegotiation can be understood by reflecting for a moment on the familiar process of making a dialup connection between two modems. You have probably heard some gravelly-sounding exchanges between your local modem and a modem at the other end of a telephone line. (These exchanges are ordinarily played out through a speaker in your local modem). As irritating as those few seconds of noise may be, they do let you know that your modem and the remote modem are on the job, preparing for your intended communication with the remote computer.

The preparatory work of the two modems during those few seconds before you see the "connect" message is to *negotiate* the best data communication scheme which is supported by

both modems, and which is suitable for the quality of the telephone-line connection between them. The parameters to be settled between the two modems include best baud rate, compression method, and error correction method. When the two modems have tested the phone-line quality and have switched to the combination of parameters which will provide the best data communication, then you are given the "connect" message which signals the end of the inter-modem negotiation and the beginning of your intended communication with the remote computer.

Autonegotiation between devices within an Ethernet LAN is similar in concept, but much briefer. The two devices involved in the autonegotiation will be your DFE-660TX and the switch or hub through which it is connected into the LAN. (Switches ordinarily provide for autonegotiation; traditional hubs do not.) The parameters to be negotiated between the DFE-660TX and its supporting switch or hub include speed (100Mbps = Fast Ethernet, or 10Mbps = traditional Ethernet) and duplex mode (half-duplex or full-duplex).

Startup communication between the two devices occurs when both devices are operating, the cable connection between them is good, and the connected notebook PC's network software is loaded. As soon as those conditions are satisfied, the preparatory process of autonegotiation between the DFE-660TX and its supporting device begins and proceeds automatically.

If the supporting switch or hub has autonegotiation functionality, then it and the DFE-660TX exchange a series of messages in which each device signals its capabilities and listens for corresponding information about the other. The autonegotiation process requires only a few milliseconds, and the two devices select the best communication parameters supported by both devices.

If the supporting device does not have autonegotiation functionality, then its monotone (single capability) message will be recognized by the DFE-660TX's autonegotiation facility, and the DFE-660TX will simply switch to the one of its own capabilities which matches that of the supporting device.

Once the autonegotiation is completed, then the line is ready, and it will provide an optimal data channel between the DFE-660TX and the supporting device. The line will remain ready without further autonegotiation action until the linkage is broken. Autonegotiation then reoccurs at any time that the linkage is restored, again making the line ready for optimal data communications.

LED Indicators

The media coupler features three LED indicators:

1. 10/100 Indicator
Steady green indicates Fast Ethernet selected.
Dark indicates 10Mbps Ethernet selected.
2. Half/Full Indicator
Steady green indicates Full-Duplex selected.
Dark indicates Half-Duplex selected.
3. Ln/Act Indicator
Steady green indicates that there is good linkage to the network ("Linkage" state, quiescent).
Flashing green indicates that the DFE-660TX is transmitting or receiving ("Activity" state). In 10Mbps mode, flashing will be regular and periodic. In 100

Mbps mode, flashing may be irregular, with longer dark periods during heavy traffic activity.

Summary of Features

Features of Model DFE-660TX 10/100 Ethernet PC Card:

- 100Mbps and 10Mbps data rates in compliance with IEEE 802.3 Ethernet standards 10Base-TX and 10Base-T
- Complies with PCMCIA V2.x, JEIDA V4.x, and 32-Bit CardBus Standards
- CardBus standard 68-pin front-end connector
- 15-pin back-end connector for media coupler
- Full-Duplex capable in 10Mbps and 100Mbps modes
- Autonegotiation per IEEE 802.3u specification
- No manual setup switches — fully automatic configuration
- Power consumption 2 watts (max.)
- ~~Power provided~~ Laser-welded stainless steel case
- RJ-45 connector with auto-detection of network speed
- Software support:
 - Install Program
 - Diagnostic Program
 - NDIS 2.0 for Banyan
 - NDIS 2.0 for IBM Lan Support/Services
 - NDIS 2.0 for IBM Wrap Server, Lan Server, and Communication Manager 1.x

NDIS 2.0 for MicroSoft Lan Manager for DOS
 NDIS 2.0 for MicroSoft Network Client 3.0 for DOS
 NDIS 2.0 for WIN/TCP PathWay Access
 NetWare DOS ODI
 NetWare Lite
 Personal NetWare
 Windows 95
 Windows 95 OSR2
 Windows NT 3.51
 Windows NT 4.0
 Packet Driver for NCSA
 Packet Driver for FTP PC/TCP
 Packet Driver for IPX
 Packet Driver for Winsock

2

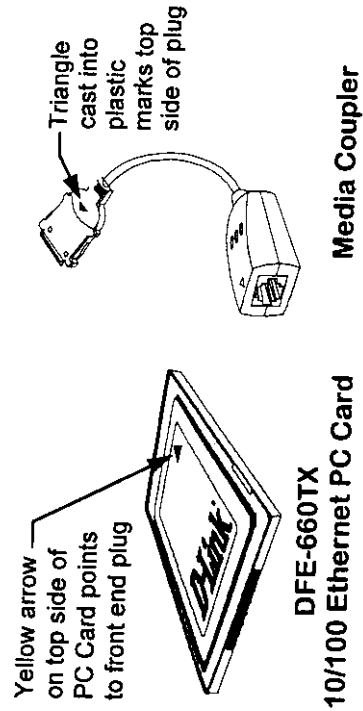
Hardware Installation

Unpack and Inspect

NOTE: Under ordinary circumstances, the DFE-660TX will not be affected by static charge as may be received through your body during handling of the unit. In special circumstances where you may carry an extraordinarily high static charge, it is good practice to reduce the charge by touching a ground before handling the DFE-660TX.

Open the shipping carton and carefully remove all items. In addition to this User's Guide, ascertain that you have:

- One DFE-660TX 10/100 Ethernet PC Card
- One plastic storage bag for the DFE-660TX
- One media coupler
- One D-Link DFE-660TX Software Diskette



In the event that any item is missing, or if you find any mismatch or damage, promptly contact your dealer for correction.

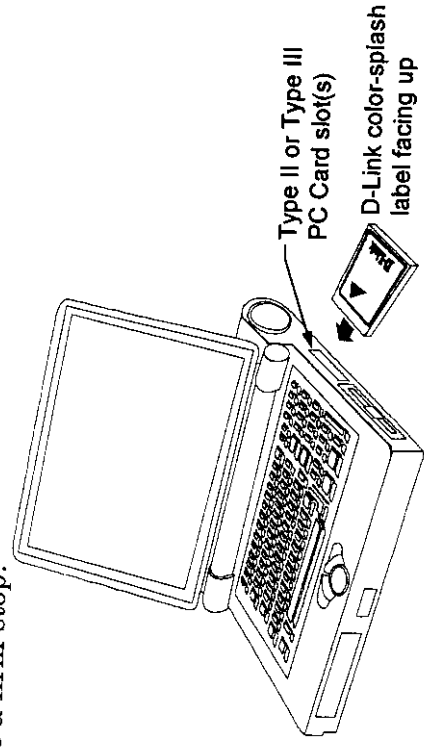
Hardware Installation

Follow these four steps to install the DFE-660TX:

Step 1 Insert the DFE-660TX

Under the PC Card standard and the corresponding Japanese JEIDA standard, PC Cards may safely be "hot swapped" -- it is not necessary to switch the computer's power off before installing or removing the DFE-660TX, or any other PC Card.

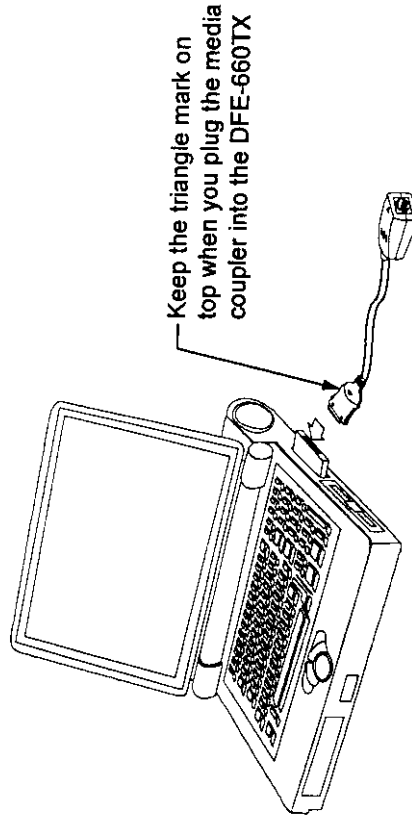
Find/select an open Type II or Type III PC Card slot on your notebook computer's side or rear panel. Hold the DFE-660TX with the colorful D-Link splash label upward. Notice that the splash label features a yellow triangle or "arrow," which points to the front end of the PC Card. Insert the front end of the PC Card into the CardBus slot, and slide the PC Card all the way into the slot until it reaches a firm stop.



NOTE: Many notebook PCs feature a stacked pair of PC Card slots, logically (but not physically) designated as Slot 1 and Slot 2. It is most usual for the lower one of the two slots in the stack to be designated Slot 1, but there are exceptions. In the subsequent procedure for DFE-660TX software installation, it might be useful for you to know whether your DFE-660TX is installed in Slot 1 or Slot 2. Under Windows 95, you can check by opening the Control Panel / PC Card display. Under DOS it is also possible to make a software check, but it is more difficult. If it develops that you need to make a trial-and-error determination or correction, then it is easy to do: just reinstall the DFE-660TX in another slot.

Step 2 Attach the Media Coupler

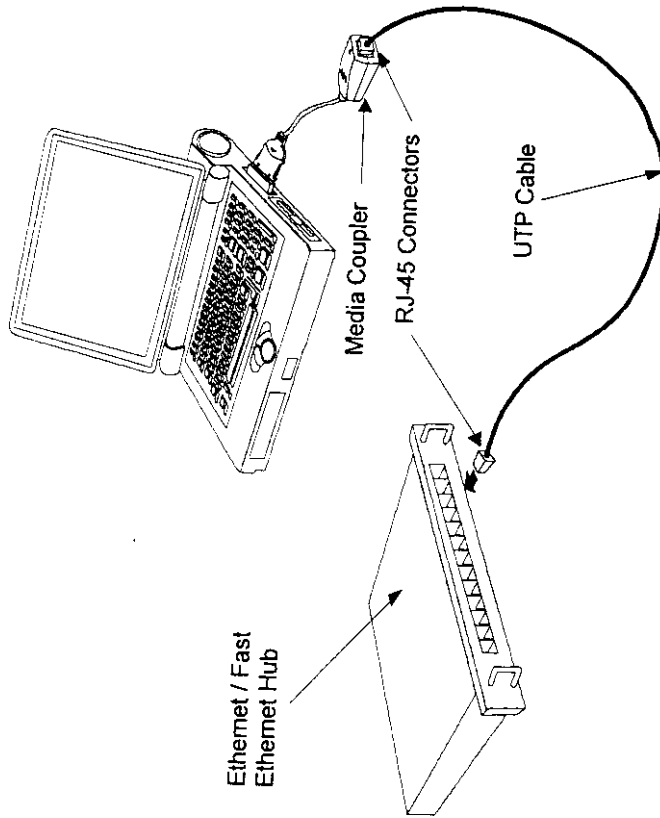
The back-end receptacle of the DFE-660TX remains accessible (approximately flush with the case of the computer) when the DFE-660TX is properly seated in its PC Card slot. Taking care to keep the top side of the media coupler plug up, insert the plug into the DFE-660TX's receptacle until it is firmly seated and latched. (The top side of the plug is labeled with a triangle molded into the plastic.)



NOTE: When the media coupler plug is firmly seated, it is held in place by small latching hooks at either side of the plug. To avoid damage when detaching the plug from the DFE-660TX, it is necessary to depress the latch wings of the plug. See the following section, "Remove the DFE-660TX."

Step 3 Connect to the Network Medium

Make the network connection by running a UTP cable from the supporting switch or hub to your media coupler. Simply plug one end (RJ-45 plug) of the cable into an available port of the switch or hub, and plug the other end (RJ-45 plug) into the RJ-45 socket of your media coupler.



UTP cable connecting media coupler to the supporting hub

Step 4 Confirm Connection (Ln/Act Indicator)

When the notebook computer's power is ON, the DFE-660TX is firmly seated in the slot connector, the media adapter plug is firmly engaged (and latched) in the back-end receptacle of the DFE-660TX, the media adapter has a good cable connection to the supporting hub, and the supporting hub is power on and functioning properly, then the media coupler's Ln/Act LED glows steady green ("Linkage" state).

If the Ln/Act LED remains dark without apparent cause, then the most likely fault is poor engagement of the 68-pin front-end plug. Review the following section titled "Remove the DFE-660TX," then remove the DFE-660TX from its slot. Repeat the procedures of the above Step 1, "Insert the DFE-660TX," taking care to ensure that the DFE-660TX is right side up and front-end first, and that it seats firmly in a suitable PC Card slot of your notebook. Repeat the procedures of Steps 2 and 3 as necessary get the Ln/Act LED confirmation.

NOTE: You might need to wait a few seconds following notebook powerup, or following insertion of a PC Card, for the software processing to be completed. The Ln/Act indicator will remain dark until the software processing is completed.

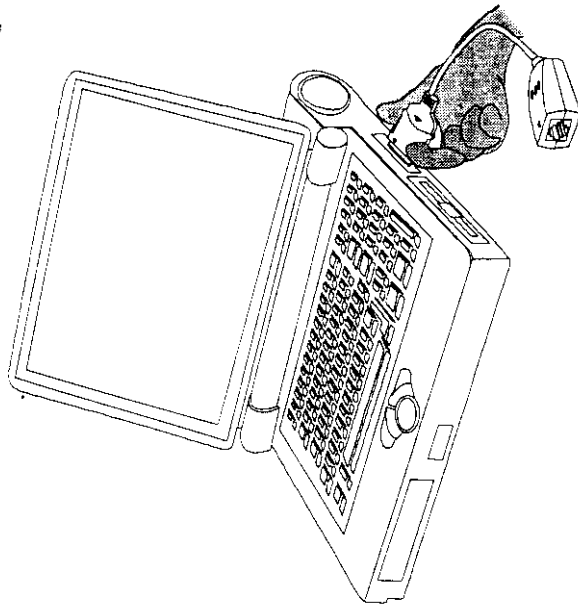
Remove the DFE-660TX

Follow these two steps to remove the DFE-660TX from its slot:

Step 1 Disconnect the Media Coupler Plug from the DFE-660TX

Unplug the media coupler from the DFE-660TX before ejecting the DFE-660TX from the PC Card slot. The media

coupler plug is held in place by small latching hooks at either side of the plug. To remove the media coupler plug from the DFE-660TX, it is necessary to unlatch the hooks by depressing the two small latch wings of the plug. Use thumb and forefinger to squeeze the latch wings into the plug body and gently pull the plug out of its receptacle.



Depress clip wings while unplugging the connector



Don't pull the connector without depressing the clip wings

WARNING: Pulling the coupler plug out of its receptacle without depressing the clip wings will cause damage to the plug.

Step 2 Eject the DFE-660TX from the Computer

Firmly press the computer's PC Card Eject button to disengage the DFE-660TX from the slot connector. The DFE-660TX will then protrude from the PC Card slot. Grip its protruding end between your fingers and withdraw it from the PC Card slot.

Connect the Network Cable

Category 5 UTP cable is good enough to qualify under both the Fast Ethernet cabling rules and the traditional Ethernet cabling rules. The maximum individual cable run between any station and its supporting hub or switch is 100m. The maximum individual cable run joining two hubs is 10m in general, but is 100m when both hubs qualify as Ethernet Class 2 Repeaters (*all* D-Link Ethernet hubs do qualify). But these cable runs may need to be shorter than the given individual maximum lengths, because their lengths are also restricted by the rule that the maximum aggregated cable run between any two stations is 205m.

Connecting for Fast Ethernet

Category 5 UTP cable is required for Fast Ethernet operation. The maximum length of cable between the DFE-660TX and the supporting hub is 300 ft. The cable must be "straight" (not a "crossover" cable), with an RJ-45 plug at each end. Make the network connection by plugging one end of the cable into the RJ-45 receptacle of the media coupler, and the other end into a port of the supporting hub.

Connecting for 10Mbps Ethernet

Category 3, Category 4, and Category 5 UTP cable, as well as EIA/TIA - 568 100-ohm STP cable, all qualify under traditional Ethernet cabling rules. The maximum cable run between the DFE-660TX and the supporting hub is 300 ft. The cable must be "straight" (not a "crossover" cable) with RJ-45 plug at each end. Make the network connection by plugging one end of the cable into the RJ-45 receptacle of the media coupler, and the other end into a port of the supporting hub.

3

Software Installation

Hardware installation as described in Chapter 2 must be completed before you proceed with software installation.

Instructions for software installation are given as README files on the D-Link DFE-660TX Software Diskette. The diskette also holds the Installation Director program, which helps you access the installation instructions appropriate to your station OS and the network environment.

Run Installation Director

For proper function of Installation Director, it is necessary that the DFE-660TX be plugged into a PC Card slot of the notebook PC. Ascertain that the DFE-660TX is in place, according to Step 1 of Hardware Installation, above, then insert the D-Link DFE-660TX Software Diskette into the diskette drive of the notebook PC. Then select that drive as the active drive. In the Run dialog box, or at the command prompt, type the letter designator for that drive (here assumed to be A), and complete the line as follows:

```
A:\install.exe
```

Then key <Enter> to run Installation Director. It will guide you to, and display, the appropriate installation instructions. Installation Director provides installation instructions for every combination of platform OS and network environment in which the DFE-660TX can be used.

During your Installation Director run, if you choose DOS as your station OS, then in some cases Installation Director will provide additional services. In such cases, you will be prompted to select a target directory for storage of software modules that Installation Director will copy over from the D-Link DFE-660TX Software Diskette. The README text will provide full information on the additional services provided..

Installation Director also provides access to the Diagnostic Program, which may be used to check the hardware components of the DFE-660TX, as well as its proper interoperation with your network.

Installing 16-bit NetWare Client for DOS

If your notebook PC is running MS-DOS or an equivalent OS, then you will need to install the traditional 16-bit NetWare Client for DOS. Installation Director includes a Quick Install option for the DFE-660TX support software required for interoperation with the 16-bit NetWare Client for DOS. The screen text, status line guide text, and helptext of Installation Director will assist you through the Quick Install procedure.

A

Troubleshooting

Troubleshooting the Hardware Installation

If you experience any problems with the hardware installation, first ascertain that all network cable connections are firm, that the proper grade of cable is used for the network connection, and that the cable makeup is correct (straight — without un-needed crossovers in the connector wiring). Check that the supporting hub is power-on and operating normally, and that the hub is properly qualified (under 10Base-T and/or 100Base-TX standards).

Troubleshooting the Software Installation

You Get the "DFE-660TX PC Card Not Detected" Error

You are running Installation Director, and in the Main Menu you have selected

Quick Install 16-bit Driver for Dos Netware Client

The Quick Install run is then interrupted by an error message which says that the DFE-660TX PC Card is not detected by the system.

You have followed the instruction given by the error message, to repeat Step 1 of the Hardware Installation

procedure given at the beginning of Chapter 2 of the User's Guide. And you have then re-run Installation Director. And the same error message has come up.

Proceed as follows:

1. Exit Installation Director. Examine the CONFIG.SYS file in the root directory of your notebook PC's startup drive (hard drive). Ascertain that CONFIG.SYS contains a DEVICE statement for Extended Memory Manager (EMM). Such a statement should resemble the following example,

```
DEVICE = C:\DOS\EMM386.EXE X=D000-D7FF
```

2. If there is no similar DEVICE statement in your notebook PC's CONFIG.SYS file, then edit the CONFIG.SYS file, adding a statement copied exactly from the above example.
3. If there such a statement in CONFIG.SYS but the "DFE-660TX PC Card not detected" error appears on each attempted Quick Install run anyway, then edit that statement to read exactly the same as the above example.

4. If, after you have completed the above instructions, the "DFE-660TX PC Card not detected" error still appears on each subsequent restart of the notebook PC, then please contact your dealer or your nearest D-Link office, as listed at the end of this User's Guide.

You need to "unload the conflicting network driver"

You are running Installation Director, and in the Main Menu you have selected

Quick Install 16-bit Driver for Dos Netware Client.

Then you have seen the warning message which advises that the presence in memory of another network card driver could cause a system halt. (That warning message appears in every Quick Install run — it does not indicate that there is another network card driver already loaded into memory.) Then you have elected to continue the Quick Install run. And the Quick Install run has indeed produced a halt (system hangup).

If you have not been through all of those steps, then you should not be reading this. You should be in Chapter 3, Software Installation. And you should be staying on track with your Quick Install run. Continue reading here *only if* your Quick Install run is actually obstructed by a system halt (so that you can only restore your control of the notebook PC by a restart). And *only if* after your restart (which provides assurance of a "clean" DOS environment) you have tried Quick Install once more (and experienced the system halt once more). Only then should you conclude that you must "unload the conflicting network driver."

Stay Cool and Get Help

The first thing you need to know is that "unload the conflicting network driver" is easier said than done. If you have easy access to a network administrator (or other resident expert), now might be a good time to go for help. If you do not have ready access to an expert, then help may be available from the dealer who has supplied your DFE-660TX, and you can also get help by calling D-Link Technical Support at the D-Link office nearest to you (see the list of office locations at the end of this User's Guide).

"Unload" Really Means "Avoid Loading at Startup"

It is true that driver programs and related software modules, such as those supplied on your D-Link

DFE-660TX Software Diskette, are often written so that the addition of a "/u" switch or "-u" option to the command line for loading the driver will cause unloading of the same driver (if it is in fact already loaded). But such unloading is only possible under special circumstances. So, as a practical matter, what we really must do is *avoid loading of the conflicting driver* upon startup of the notebook PC.

A software installation procedure (such as "Quick Install 16-bit Driver for DOS NetWare Client") copies the necessary drivers and related modules from the supplied DFE-660TX Software Diskette, into the target directory of the notebook PC's hard drive or other storage. The installation program also adds commands to the computer's AUTOEXEC.BAT file, so that each time the computer is subsequently booted up (and you then make certain choices in the startup menus, if any), the drivers and related modules are automatically loaded into memory.

The "conflicting driver" problem now at hand arises because certain commands already present in your notebook PC's AUTOEXEC.BAT file are being executed during bootup, and are causing some kind of previously installed network driver module to be loaded into memory. The presence of that network driver in memory is now making it impossible to load the DFE-660TX network driver software (16-bit driver for DOS NetWare client).

So the fix is to delete from AUTOEXEC.BAT the line which is causing the conflicting driver to be loaded. Thus we will *avoid loading of the conflicting driver* when we next restart the notebook PC. And the trick is to delete that line from AUTOEXEC.BAT without deleting or changing anything which needs to remain unchanged in AUTOEXEC.BAT (so that your notebook PC will behave as you expect it to after each startup).

B

DFE-660TX Specifications

Network Type:

- Ethernet 10Base-TX

Ethernet IEEE 802.3u standard for 100Mbps baseband CSMA/CD local area network

- Ethernet 10BASE-T

Ethernet IEEE 802.3 standard for 10Mbps baseband CSMA/CD local area network

Jumperless Hardware

Autonegotiation functionality

Media interface: RJ-45

LAN Chip Set:

- Interface controller, DC-21143
- Transceiver interface, LXT-970LC

EMI Certifications:

FCC Class B
 VCCI Class B
 CISPR B
 Canada ICES-003, Class B

CE Certification

Host interface: CardBus

I/O base address assigned by Plug and Play system
 Interrupt Number Assigned by Plug and Play system

Physical Dimensions: 85.6 × 54.0 × 5.0 mm

Environment:

Storage: -20° to 80°C, (4° to 176° F)

Operating: 0° to 55° C, (32° to 131° F)

Humidity: 10% to 90% non-condensing

Power Consumption: 2.0W

PCB Construction: 2 layers

Device Drivers*

- NDIS 2.0 for Banyan
- NDIS 2.0 for IBM Lan Support/Services
- NDIS 2.0 for IBM Wrap Server, Lan Server, and Communication Manager 1.x
- NDIS 2.0 for MicroSoft Network Client 3.0 for DOS
- NDIS 2.0 for MicroSoft Network PathWay Access
- NetWare Lite
- NetWare DOS ODI
- Windows 95
- Personal NetWare
- Windows NT 3.51
- Windows 95 OSR2
- Packet Driver for NCSA
- Windows NT 4.0
- Packet Driver for IPX
- Packet Driver for Winsock
- Packet Driver for FTP PC/TCP

*Check <http://www.dlink.com> for newest releases of drivers.