

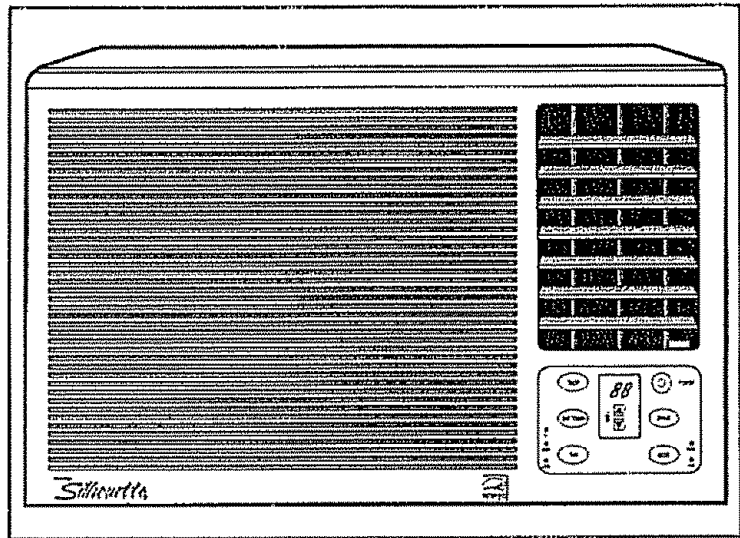
Danby  
*Silhouette*

USE AND CARE  
MANUAL  
MANUEL  
D'UTILISATION

Model • Modèle  
DAC7024DE

**CAUTION:**  
Read and Follow All Safety Rules  
and Operating Instructions Before  
First Use of This Product.

**PRÉCAUTION:**  
Veuillez lire attentivement  
les consignes de sécurité et les  
instructions d'utilisation avant  
l'utilisation initiale de  
ce produit.



Danby  
*Silhouette*  
Room Air Conditioner

Table of contents ..... 1

Danby  
*Silhouette*  
Climatiseur de pièce

Table of contents ..... 15

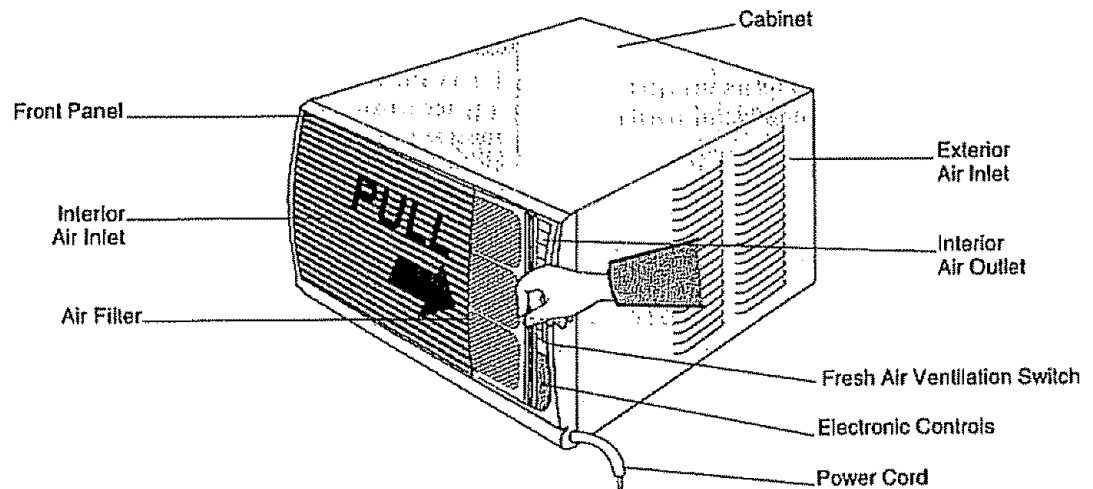


Danby Products Limited, Guelph, Ontario Canada N1H 6Z9  
Danby Products Inc., Findlay, Ohio USA 45840

## TABLE OF CONTENTS

	Page
Introduction .....	2
Unit Specifications .....	2
Electrical Specifications .....	3
Energy-Saving Tips .....	4
Window Installation .....	4
Operating Instructions .....	11
Care and Maintenance .....	12
Trouble Shooting Guide .....	13
Warranty .....	14

## Parts Identification



## INTRODUCTION

Thank you for choosing a Danby Silhouette Room Air Conditioner to cool your home. This Use and Care Manual provides information necessary for the proper care and maintenance of your new Room Air Conditioner. If properly maintained, your air conditioner will give you many years of trouble free operation. To avoid installation difficulties, read these instructions completely before installing/operating your unit.

**NOTE:** This unit is **NOT** designed for through-the-wall installation.

For easy reference, you may want to attach a copy of your sales receipt to this page. Note following information provided (*on the manufacturer's nameplate located on the right side of the unit above the power cord*). This information will be needed when you contact a Customer Service Representative.

Model Number: \_\_\_\_\_

Serial Number: \_\_\_\_\_

Date of Purchase: \_\_\_\_\_

Dealer's Name and Address: \_\_\_\_\_  
 \_\_\_\_\_

Refer to the trouble shooting section of this Use and Care Manual if the unit is not operating correctly. If these suggestions do not solve the problem, contact an authorized service representative or call Danby TOLL FREE: **1-800-263-2629**

Keep these instructions for future reference.  
 This symbol denotes a caution or warning



	<b>CAUTION</b>	
Do not leave a room air conditioner unattended in a space where people or animals who cannot react to a failed unit are located. A failed unit can cause extreme overheating or death in such an enclosed, unattended space.		

<b>Model No.</b>		<b>DAC7024DE</b>
<b>Unit Specifications</b>		
Voltage		115V/60Hz
Cooling Capacity (BTU/h)		7,000
Input Wattage		650
Energy Efficiency Rating (EER)		10.7
Fan/Cooling Speeds		3/3
Cooling Area Coverage (Sq.ft.)		250
Noise Level (dB)		47
<b>Unit Dimensions</b>		
	Width	17.75"
	Depth	22.5"
	Height	13.5"
<b>Window Kit Dimensions</b>		
	Maximum Width	37"
	Minimum Width	24.5"
	Minimum Height	15.5"
Shipping Weight		97 lb

**NOTE:** Specifications are subject to change without notice for further improvement.


## ELECTRICAL SPECIFICATIONS

1. All wiring must comply with local and national electrical codes and must be installed by a qualified electrician. If you have any questions regarding the following instructions, contact a qualified electrician.
2. Check available power supply and resolve any wiring problems BEFORE installing and operating this unit.
3. This 115V air conditioner uses 12.0 or less nameplate amps and may be used in any properly wired, general purpose household receptacle. See Table 1 for specifications for individual branch circuit.
4. For your safety and protection, this unit is grounded through the power cord plug when plugged into into a matching wall outlet. **If you are not sure whether your wall outlet is properly grounded, please consult a qualified electrician.**
5. The wall outlet (3-pin) must match the plug (3-pin) on the service cord supplied with the unit. DO NOT use plug adapters. See Table 2 for receptacle and fuse information. If it is necessary to use an extension cord to connect your air conditioner, use an approved "air conditioner" extension cord only. (available at most local hardware stores)
6. The rating plate on the unit contains electrical and other technical data. The rating plate is located on the right side of the unit, above the power cord.

**Table 1: Suggested Individual Branch Circuit**

Nameplate Amps	AWG Wire Size*
5.0 to 12	14
AWG- American Wire Gauge	
* Based on copper wire at 60 °C temperature rating.	

**Table 2: Receptacle and Fuse Types**

Rated Volts	125
Amps	15
Wall Outlet	
Fuse Size	15
Time Delay Fuse (or circuit breaker)	Plug Type

## ENERGY-SAVING TIPS

Your Room Air Conditioner unit is designed to be highly efficient in energy savings. Follow these recommendations for greater efficiency.

1. Select thermostat setting that suits your comfort needs and leave thermostat at that chosen setting.
2. The air filter is very efficient in removing airborne dust particles. Always keep the air filter clean.
3. Use drapes, curtains, or shades to keep direct sunlight from heating room, but **DO NOT** obstruct the air conditioner. Allow air to circulate around the unit without obstruction.
4. Start your air conditioner before outdoor air becomes hot and uncomfortable. This avoids an initial period of discomfort while unit is cooling off the room.
5. When outdoor temperatures are cool enough, use **HIGH, MED, or LOW FAN** only (depending on your model). This circulates indoor air, providing some cooling comfort, and utilizes less electricity than when operating on a cooling setting.

## WINDOW INSTALLATION



### ELECTRIC SHOCK HAZARD

To avoid the possibility of personal injury, disconnect power to the unit before installing or servicing.

### Tools Needed for Window Installation

**Screw Drivers:** Both Phillips and flat head  
**Power Drill:** 1/8 inch diameter drill bit  
**Pencil**  
**Measuring Tape**  
**Scissors**  
**Carpenters Level**  
**Adjustable Wrench**



### CAUTION

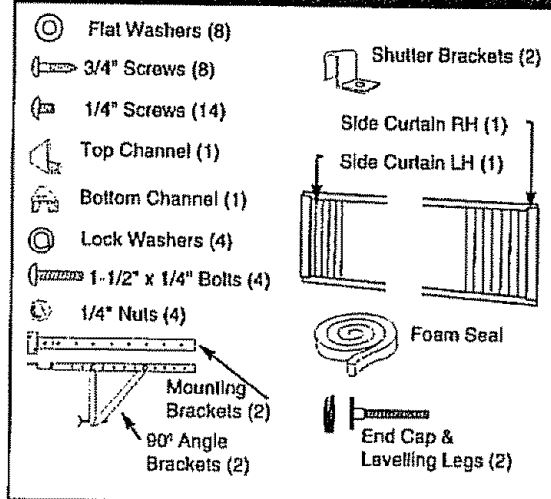


To avoid installation/operation difficulties, read these instructions thoroughly.

Your Room Air Conditioner is designed for easy installation in a single or double-hung window.

**NOTE:** This unit is **NOT** designed for vertical (slider type) windows and/or through-the-wall applications. **NOTE:** Save the shipping carton and packing materials for future storage or transport of the unit. Remove from carton, the plastic bag containing the installation hardware kit necessary for the installation of your air conditioner. Please check the contents of hardware kit against the corresponding model check list, prior to installation of the unit. See Fig. 1

Fig. 1 Installation Hardware Model



**⚠ CAUTION ⚠**

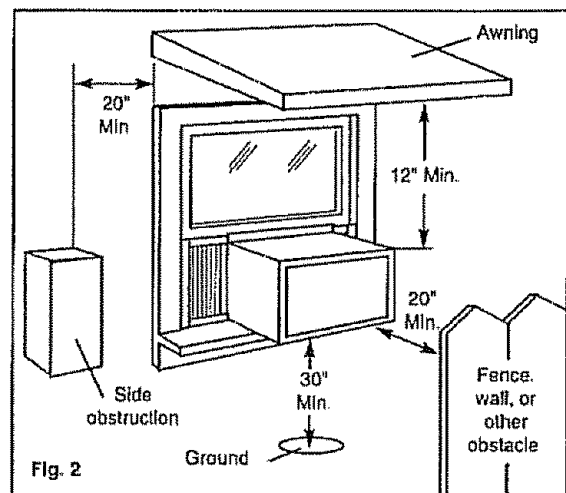
Because the compressor is located on the controls side of the unit (right side), this side will be heavier and more awkward to manipulate. Inadequate support on control side of the unit can result in personal injury and damage to your unit and property. Therefore, it is recommended to have someone assist you during the installation of this unit

Your unit is designed to evaporate condensation under normal conditions. However, under extreme humidity conditions, excess condensation may cause basepan to overflow to the outside. The Unit should be installed where condensation run-off cannot drip on pedestrians or neighboring properties.

A drain tube connection (excluding hose) is provided to redirect condensation overflow. See Fig. 25.

### 1. Select the Best Location

- A. This room air conditioner is designed to fit easily into a single or double hung window. However, since window designs vary, it may be necessary to make some modifications for safe, proper installation.
- B. Make sure window and frame is structurally sound and free from dry and rotted wood.
- C. For maximum efficiency, install the air conditioner on a side of a house or building which favors more shade than sunlight. If the unit is in direct sunlight, it is advisable to provide an awning over the unit.
- D. Provide sufficient clearance around the cabinet to allow for ample air circulation through the unit. See Fig. 2. The rear of the unit should be outdoors and not in a garage nor inside a building. Keep unit as far away as possible from obstacles/obstructions and at least 30" above the floor or ground. Curtains and other objects within a room should be prevented from blocking the air flow.
- E. Be certain the proper electrical outlet is within reach of the installation. Use only a single outlet circuit rated at 15 amps. All wiring should be in accordance with local and national electrical codes.
- F. **DO NOT USE "REGULAR" EXTENSION CORDS WITH THIS UNIT.** If it is necessary to use an extension cord to connect your air conditioner, use an approved "air conditioner" extension cord only. (available at most local hardware stores)
- G. **DO NOT** install unit where leakage of combustible gas is suspected. Your air conditioner may fail to operate in air containing oils (including machine oils), sulfide gas, near hot springs, etc....



## 1. Preparation to Remove the Air Conditioner Slide-Out Chassis (All Models)

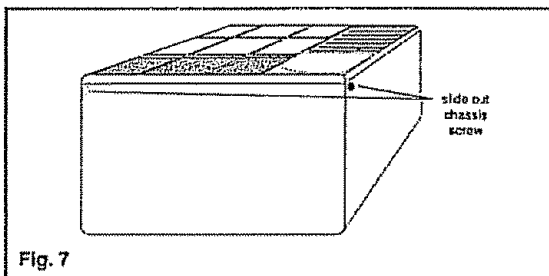
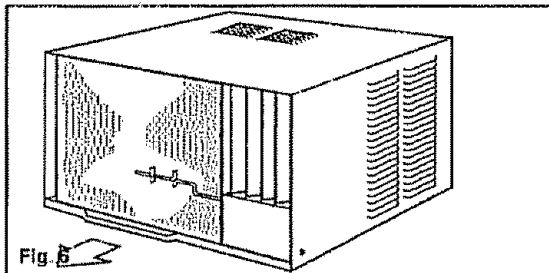
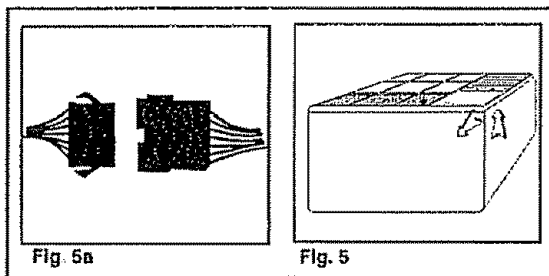
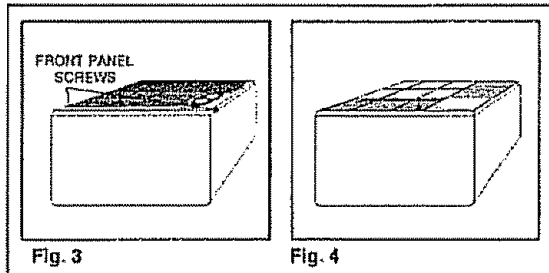
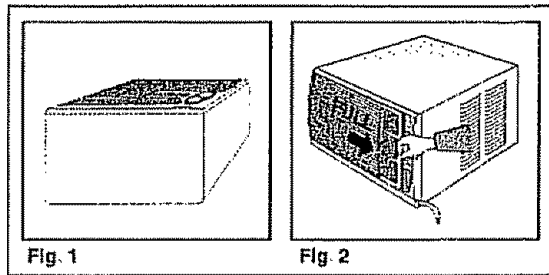
- Position the air conditioner in the normal (upright) position.
- Remove the air filter by grasping the filter handle (on front grill) and sliding it to the right. (Fig. 2)
- Remove the phillips screw (behind filter) securing the grill front to the chassis. (Fig. 4)
- Remove the phillips screws located on the (lower left/right) edge of front grill. (Fig.3)
- To remove the front grill, grasp the lower front corner of the grill, pulling (gently) outward and upward. (Fig.5)
- Repeat this step on the 3 remaining corners.
- Before the front grill can be completely removed from the cabinet, it will be necessary to disconnect the (male/female) electrical wire harness located directly behind the front grill. (Fig 5a)
- Remove the two phillips screws (lower left/right side of cabinet) securing the slide-out-chassis to the cabinet. Fig.7

**NOTE:** These screws must be reinstalled upon completion of the window installation. (to secure slide-out-chassis)

**NOTE:** Some models may be inclusive of an additional (slide-out chassis) retaining bracket and screw located at the front of the chassis. This bracket and screw must also be removed before attempting to remove the slide-out chassis. Fig. 6

**NOTE:** This bracket and screw does not have to be reinstalled upon completion of the window installation.

- Grasp the pull handle at the front of the slide-out-chassis and carefully slide the air conditioner out of the cabinet (Fig.6)  
Please seek assistance for this procedure.



**2. Assembly of the Upper & Lower Channels, to Cabinet. (All Models)**

- "L" Shaped Top Channel: Install the "L" shaped channel to the top of the cabinet as shown in Fig. 8 using four (4) 1/4" screws.
  - "U" Shaped Bottom Channel: Install the "U" shaped channel to the bottom of the cabinet as shown in Fig. 8 using four (4) 1/4" screws
- NOTE:** Some models may already have the bottom channel factory installed.

**3. Assembly of the Side Curtains to Cabinet. (All Models)**

- Slide the shutters into the top and bottom channels as shown in Fig. 9. The shutters are identified (on frame) as left & right. Attach the shutters to the cabinet using four 1/4" screws on each side.

**4. Installation of Mounting Brackets and First Sealing Strip (All Models)**

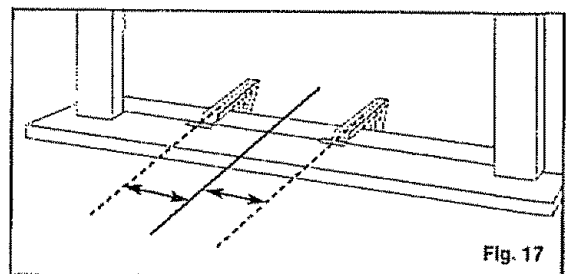
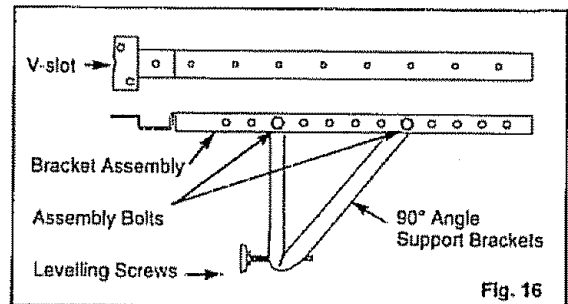
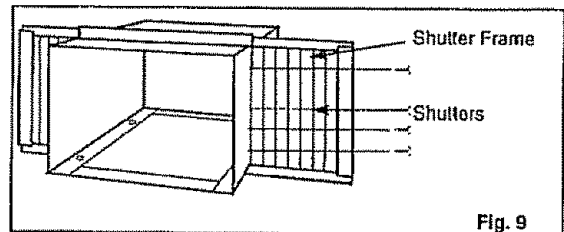
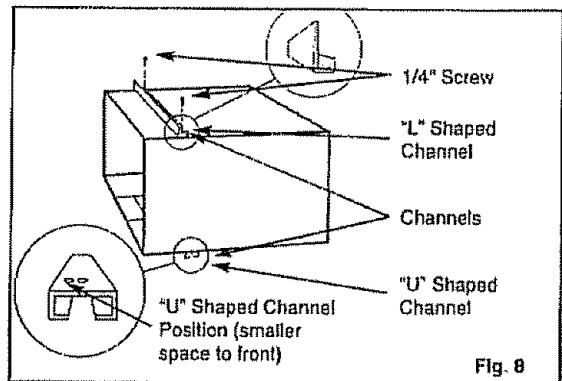
**SPECIAL NOTE:** Windows come in a variety of different designs and styles. Therefore, it may be necessary to modify or improvise on your particular installation.

- A. Attach the bracket assembly to the 90° angle support brackets (Fig. 16) using four 1 1/2" x 1/4" bolts. (two bolts per bracket) Secure with the four 1/4" lock washers and four 1/4" nuts. **DO NOT** immediately tighten these bolts as it may be necessary to adjust the depth of the bracket assembly, depending on the depth of your window sill. See Fig's 18 & 19. Test the bracket assembly in the window before installing, if satisfied, tighten all bolts. Install the two levelling screws into the 90° support brackets. See Fig. 16. If the levelling screws are distanced too far away from the wall to provide adequate stability, it may be necessary to shim this area with a solid piece of wood. See Fig. 19.
- B. Measure the length of the inside sill and find the center as shown in Fig. 17. **Models: DAC7024DE:** Measure 8.071" on each side of center and mark these points. Align the V-slot on the bracket with each corresponding mark and mount the brackets to the sill using two 3/4" screws & two flat washers per bracket.

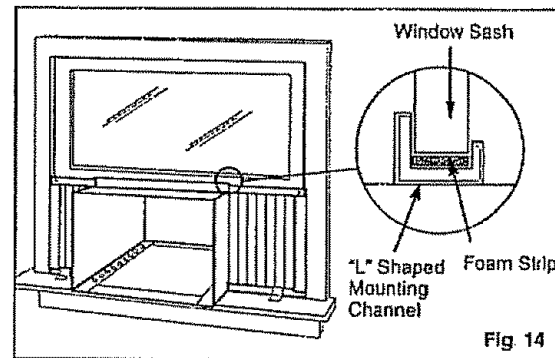
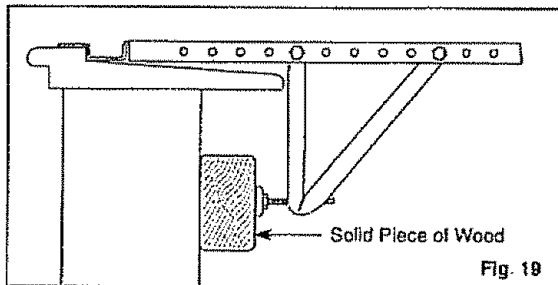
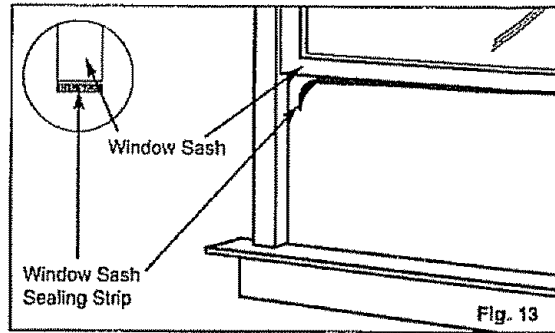
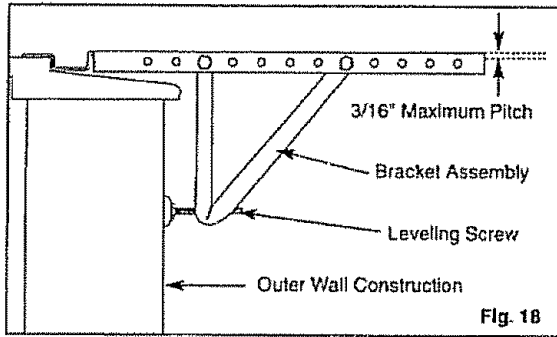
Brackets should be perpendicular to the inside window sill, with step (U) bracket light against the sill.

See Fig. 18.

- C. For proper condensation run-off it will be necessary to adjust the angle/pitch of the window brackets. This is accomplished by adjusting the distance of the leveling screw on the outer wall. The maximum angle/pitch should not exceed more than 3/16". See Fig. 18.



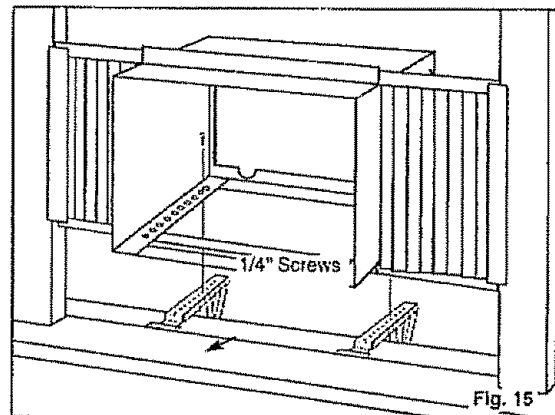




## 5. Installation of the Cabinet (All Models)

A. Place the air conditioner cabinet into the window with the "L" shaped mounting channel (on top) positioned in front of the upper window sash. The "U" shaped channel on the bottom of the cabinet should be positioned in the "recessed" portion of the track located at the front of the window brackets. Pull the window down until it rests just behind the front flange of the (top) "L" shaped mounting channel. See Fig. 14.

B. Align one hole in the bottom of the cabinet with one hole in the bracket assembly. Secure the cabinet to the bracket using a 1/4" screw provided. Repeat the same procedure on the opposite side of the cabinet. Fig. 15



C. Check to make sure the "pitch" (angle) of the cabinet is slanted slightly downward on the outside. If necessary, re-adjust the levelling screws in the mounting bracket. Fig. 18

D. Cut the first foam sealing strip to fit the underside (bottom) of the lower window sash. Remove the peel-off backing on the foam and attach the foam strip to the sash. See Fig. 13.

**6. Installing the Slide-Out Chassis into Cabinet:**

(please seek assistance for this procedure)

- Carefully slide the air conditioner back into the cabinet. (in window)

**Note: Ground wire must be re-installed before completing next step.**

- Reinstall (slide-out-chassis) security screws removed earlier from the (lower left/right) side of the cabinet. Fig 7
- Expand the shutter frames (fully) on each side and secure the top of the shutter frame to the window sash using one 3/4" screw & flat washer on each side. Fig. 23
- Install a shutter clamp on each side of the (lower) shutter frame and secure to window sill using one 3/4" screw & flat washer on each side. Fig 23

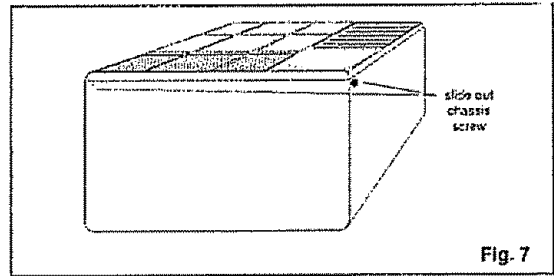


Fig. 7

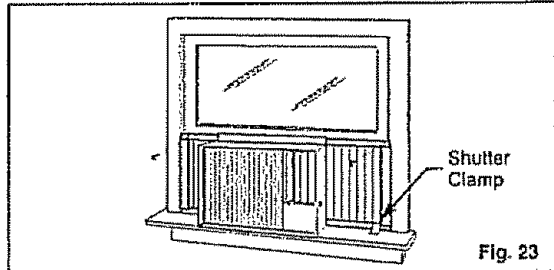


Fig. 23

**7. Reinstalling Front Grill (All Models) :**

Before re-installing the front grill back on the cabinet, you must re-connect the (male/female) electrical wire harness between the front grill control panel and the main (cabinet) unit. (Fig.5a) Make sure the electrical connection is firmly and securely attached.

- Position the front panel on the cabinet starting at the top. The front panel lock tabs must be inserted into the retaining slots in the cabinet.
- Repeat this procedure on all sides, making sure the fresh air ventilation lever arm and power cord are properly installed back to their original position on the front grill.
- Secure the front grill to the cabinet using the phillips screws removed earlier. Fig's. 3 & 4
- Re-install the air filter.
- Cut the second foam seal to fit the opening between the top inside and outside window. See Fig 24.
- Some installations may require additional sealing around the window and air conditioner. Check for any air leaks and seal where necessary.
- Under very humid conditions, water removal may be excessive enough to overflow from the rear of the unit or increase noise levels of the air conditioner. If this occurs, you may want to attach a section of (garden) drain hose (not included) to the drain plug located at the rear of the unit, this will permit condensation to run off more conveniently. See Fig. 25.

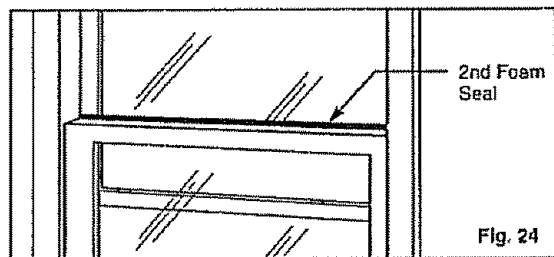


Fig. 24

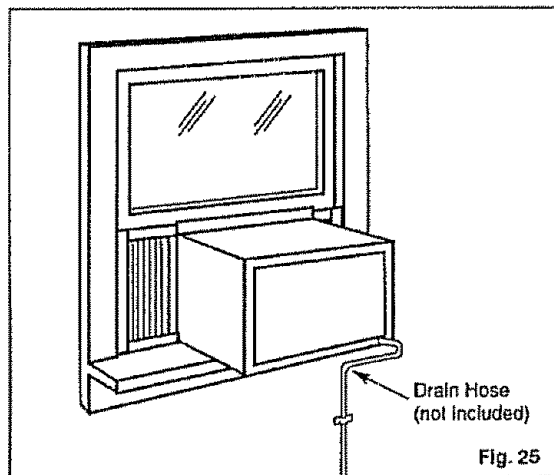


Fig. 25


## 7. Electronic Control Features

**LED DISPLAY:** The LED window displays the following information independantly

- Set Cooling Temperature
- Ambient Room Temperature
- Auto on/off Timer Programs
- E1 = (Clean Air Filter)

**NOTE:** During normal operating conditions, (after all settings are complete) the LED readout will always default to show (display) the "ambient room temperature". In order to view the "set" temperature of the air conditioner, press either of the temperature ▲ key pads once.



 **POWER SWITCH:** turns power on/off

**SWING:** Activates the automatic air swing (oscillation) feature.

**(ENERGY SAVER):** Press and hold the "SWING" keypad for 3 seconds to activate the ENERGY SAVER program. This program is designed to reduce energy consumption by limiting (restricting) operation of the fan motor with the operation of the compressor. i.e.  
compressor off / fan off  
compressor on / fan on

**NOTE:** When the ENERGY SAVER feature is not selected, the fan motor operates continuously, even after the compressor (cooling mode) has cycled off. i.e.  
compressor on / fan on  
compressor off / fan on

**MODE:** Activates the FAN or COOLING mode.

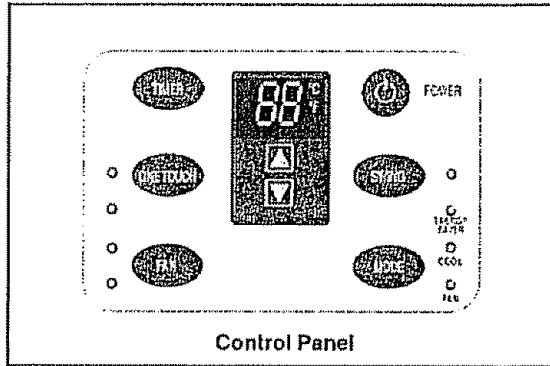
**TIMER:** Activates the auto start or auto stop timer program from 0 - 12 hours (1 hour increments)

**ONE TOUCH:** Activates a (factory) pre-set temperature setting of 22°C (+ / - 2°C) 71.6°F.

**FAN:** Activates fan speed settings. (High, Medium, Low)

▲ **KEYPAD:** Activates (increases) temperature settings

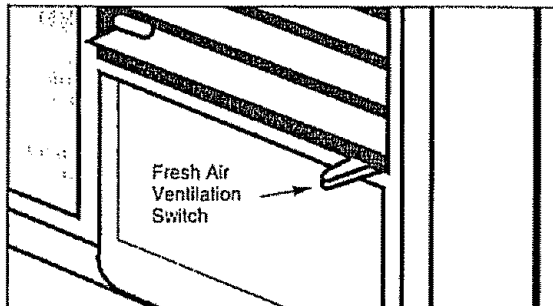
▼ **KEYPAD:** Activates (decreases) temperature settings.



**CAUTION**

Wait three minutes before adjusting/changing temperature settings. Adjusting temperatures too quickly may cause the compressor overload to trip, resulting in a blown fuse.

Fresh Air Ventilation should be kept in the "closed" position during air conditioning mode. Fresh Air Ventilation should be kept in the "open" position during "fan mode" only when clearing smoke and/or odors from the room.



## OPERATING INSTRUCTIONS

### POWER:

Press the POWER keypad to turn the unit on/off.

### ▲ TEMPERATURE SETTINGS:

Press the up keypad to increase the set (operating) temperature of the air conditioner. Each time the keypad is pressed the temperature is increased as follows;

2°F (Fahrenheit Scale) Maximum Setting 90°F  
1°C (Celsius Scale) Maximum Setting 31°C

### ▼ TEMPERATURE SETTINGS:

Press the down keypad to decrease the set (operating) temperature of the air conditioner. Each time the keypad is pressed the temperature is decreased as follows;

2°F (Fahrenheit Scale) Minimum Setting 60°F  
1°C (Celsius Scale) Minimum Setting 16°C

### SWING:

Press the SWING keypad to activate the automatic air swing (oscillation) feature. The green pilot light adjacent to the SWING keypad will illuminate, identifying the selected mode is operational. The vertical louvers will oscillate back and forth (side to side) automatically sweeping cold air alternately for comfortable cooling. To stop the air swing feature, press the SWING keypad again, the green pilot light adjacent to the keypad will go off.

### (ENERGY SAVER):

To activate the ENERGY SAVER feature, press and hold the "SWING" keypad for 3 seconds.

The green pilot light directly above the ENERGY SAVER mode will illuminate, identifying the selected mode is operational. The ENERGY SAVER program helps to reduce energy (electricity) consumption by controlling (limiting) operation of the fan motor with the operation (cycles) of the compressor. i.e.

compressor off / fan off

compressor on / fan on

If the ENERGY SAVER feature is not activated, the fan will operate continuously, even after the compressor has cycled off. i.e.

compressor on / fan on

compressor off / fan on

NOTE: The energy saver feature operates in "cooling" mode only.

**MODE:** Press this keypad to select the appropriate operating mode. (Fan / Cool) Each depression of the MODE keypad will alternate between the "COOLING" and "FAN" mode. The green pilot light

directly above the COOL or FAN mode will illuminate, identifying the selected mode is operational.

### TIMER:

Press this keypad to activate the "auto start / auto stop" timer programs. Auto start/stop programs can be programmed from 0 – 12 hours. Each depression of the TIMER keypad will increase the selected time in 1 hour increments.

### AUTO -START:

Before activating the "auto - start" program, you must first select (set) the operating conditions of the air conditioner. (i.e. temperature setting and fan speed). Once the settings are complete, the air conditioner must be switched off. (non-operational) Depress the TIMER keypad and the auto-start time will appear in the LED display, select the required time (0 ~ 12hours) and the air conditioner will start automatically at the established time.

### AUTO -STOP:

Turn the air conditioner on and select the required operating conditions. (i.e. temperature setting and fan speed). Depress the TIMER keypad and the time will appear in the LED display, select the required auto stop time, (0 ~ 12hours) and the air conditioner will stop automatically at the established time.

**NOTE:** It is not possible to operate both the "auto-start" and "auto-stop" feature within a single program. All auto-timed programs are automatically erased after the set program is complete.

### ONE TOUCH:

Press this keypad to activate a pre-set (factory) temperature setting of 22°C + / - 2°C (71.6°F). The air conditioner will operate and maintain the indoor temperature at this setting.

## OPERATING INSTRUCTIONS CONTINUED

### FAN:

Press this keypad to activate the appropriate fan speed setting. Each depression of the keypad will alternate through High, Medium, Low fan speed options. The green pilot light directly above the FAN speed option will illuminate, identifying the fan speed selected.

### E1 = CLEAN AIR FILTER:

A message prompt "E1" will automatically appear in the LED window indicating, when it is time to clean the air filter. The E1 program is a (built-in) time device that operates based on total (air conditioner) running time. It is very important to keep the air filter clean at all times in order to maximize cooling efficiency. (See Cleaning Air Filter) The air filter "must" be cleaned when the "E1" message is displayed. To cancel (eliminate) the E1 message from the LED display, the air conditioner "must" be disconnected (unplugged) from the power supply and re-connected. This action automatically re-sets the "E1" program internal time device.

NOTE: In the event of a power failure, the "E1" program is automatically re-set, therefore we suggest you remove and clean the filter before re-starting the unit.

### TEMPERATURE DISPLAY CELSIUS / FARENHEIGHT:

It is possible to change the LED temperature display to read "Celsius" or "Farenheight", by pressing the (temperature)  $\blacktriangle$  keypads simultaneously. The green pilot light under the "C/F" (temperature symbol) will illuminate, identifying the mode selection.

## CARE AND MAINTENANCE

When servicing the air conditioner, be sure to turn the air conditioner to the "OFF" position and disconnect the power cord from the electrical outlet.

1. **DO NOT** use gasoline, benzine, thinner or other chemicals on the air conditioner, as these substances may cause damage to the paint finish and deformation of plastic parts.
2. Never attempt to pour water directly on unit as this will cause deterioration of the electrical insulation.

3. When the air inlet grill and cabinet are dirty, wash in lukewarm water. (below 40°C (104°F): For very dirty conditions, wash with soapy water or a neutral cleaning agent.

### AIR FILTER INFORMATION

The air filter plays an important role effecting overall performance levels of any air conditioner. A clean air filter will maximize cooling efficiency. A dirty air filter will minimize cooling efficiency. It is important to keep the air filter "clean" at all times. This unit is inclusive of a program that will display a message prompt "E1" (= CLEAN AIR FILTER) in the LED display indicating when it is time to clean the air filter.



### AIR FILTER REMOVAL:

The air filter is located behind the air intake front grill. To remove the air filter, grasp the filter handle located on the front of the grill and slide - it (out) to the right.

To reinstall the air filter, reverse the above procedures.

### CLEANING AIR FILTER

1. Use a vacuum cleaner with soft brush attachment to remove heavy soil.
2. Wash the filter in lukewarm water. (below 40°C 104°F): If the filter is very dirty filter, wash with soapy water or a neutral cleaning agent. (NEVER WASH AIR FILTER IN DISHWASHER)  
Do not use harsh cleaning chemicals to clean the filter as they may damage the plastic and filter mesh.
3. Rinse the filter with clean water and dry thoroughly before re-installing.

 <b>CAUTION</b> 
<b>NEVER</b> operate the air conditioner without the air filter, as dust/dirt particles can contribute to equipment failure.

### End-of-Season Care

1. Operate the fan only (high speed) for half a day to dry out the internal components of the unit.
2. Turn off power and remove plug from wall socket.
3. Clean air filter and exterior cabinet.
4. Store air conditioner (covered) in a dry location.

## TROUBLESHOOTING GUIDE

Frequently, a problem is minor and a service call may not be necessary, use this troubleshooting guide for a possible solution. If the unit continues to operate improperly, call Danby's Toll Free Number 1-800-263-2629 for assistance, or call one of our service depots listed in the enclosed "Authorized Service Depot" listing provided with this unit.

Difficulty	Possible Cause	Suggested Solution
Air conditioner will not operate.	No power to unit.	Check connection of power cord to power source. Check fuse or circuit breaker. Check the appropriate setting is selected
Inefficient or no cooling.	Dirty air filter. Unit size inappropriate for application. Blocked air flow.  Power interruption, settings changed too quickly, or compressor overload tripped.	Clean or replace air filter. Check with dealer to determine proper unit capacity for application. Remove obstruction from grill or outdoor louvers Turn the unit off and wait 5 minutes before attempting to restart
Noisy unit.	Loose parts. Inadequate support.	Tighten loose parts. Provide additional support to unit.
Odors.	Formation of mold, mildew, or algae on wet surfaces.	Clean unit thoroughly. Place algaecide tablet in base pan.
Water dripping outside.	Condensation run-off is normal during hot and humid weather.	Add flexible tubing to redirect water flow, see Fig 25
Water dripping inside.	Unit is not properly angled to allow water to drain outside	Unit must be installed on an angle for proper condensation run-off. Check the unit and make any adjustments.
Ice or frost build-up.	Low outside temperature.  Unit air filter is dirty.	When outdoor temperature is approximately 65°F or below, frost may form when unit is in cooling mode. Switch unit to FAN (only) operation until frost melts. Remove and clean filter.

- NOTES:**
1. If circuit breaker is tripped repeatedly, or fuse is blown more than once, contact a qualified technician.
  2. When unit is installed using proper installation steps, unit is properly tipped towards the outdoors to allow for condensation run-off.



## LIMITED AIR CONDITIONER WARRANTY

This quality product is warranted to be free from manufacturer's defects in material and workmanship, provided that the unit is used under the normal operating conditions intended by the manufacturer.

This warranty is available only to the person to whom the unit was originally sold by Danby or by an authorized distributor of Danby, and is non-transferable.

### TERMS OF WARRANTY

<i>First 2 Years</i>	During the first 2 year (2), any electrical parts of this product found to be defective, including any sealed system units, will be repaired or replaced, at warrantor's option, at no charge to the ORIGINAL purchaser.
<i>Third Through Fifth Year</i>	During the next three years (3) any part of the sealed system found to be defective (consisting of compressor, condenser, evaporator, dryer and all related tubing) will be replaced without charge. The purchaser shall pay for all labor and return freight during this four year (3) period for repair or replacement of any sealed system components. Any unit being diagnosed as non-functional due to sealed system failure and warranting an exchange during the existing three (3) years will be subject to an appropriate depreciation or user fee, including any and all freight charges being levied against the consumer.
<i>To obtain Service</i>	Contact your dealer from whom your unit was purchased, or contact your nearest authorized Danby service depot, where service must be performed by a qualified service technician. If service is performed on the units by anyone other than an authorized service depot, or the unit is used for commercial application, all obligations of Danby under this warranty shall be at an end.

### EXCLUSIONS

Save as herein provided, Danby Products Limited (Canada) or Danby Products Inc. (U.S.A.), there are no other warranties, conditions, representations or guarantees, express or implied, made or intended by Danby Products Limited or its authorized distributors and all other warranties, conditions, representations or guarantees, including any warranties, conditions, representations or guarantees under any Sale of Goods Act or like legislation or statute is hereby expressly excluded. Save as herein provided, Danby Products Limited (Canada) or Danby Products Inc. (U.S.A.), shall not be responsible for any damages to persons or property, including the unit itself, howsoever caused or any consequential damages arising from the malfunction of the unit and by the purchase of the unit, the purchaser does hereby agree to indemnify and save harmless Danby Products Limited from any claim for damages to persons or property caused by the unit.

### GENERAL PROVISIONS

No warranty or insurance herein contained or set out shall apply when damage or repair is caused by any of the following:

- 1) Power Failure.
- 2) Damage in transit or when moving the appliance.
- 3) Improper power supply such as low voltage, defective house wiring or inadequate fuses.
- 4) Accident, alteration, abuse or misuse of the appliance such as inadequate air circulation in the room or abnormal operating conditions, (extremely high or low room temperature).
- 5) Use for commercial or industrial purposes.
- 6) Fire, water damage, theft, war, riot, hostility, acts of God such as hurricanes, floods etc.
- 7) Service calls resulting in customer education.

Proof of purchase date will be required for warranty claims; so, please retain bills of sale. In the event warranty service is required, present this document to our AUTHORIZED SERVICE DEPOT

#### Warranty Service

Air Conditioners	With-In Canada	With-In United States
	In Home	In Home

Danby Products Limited  
PO Box 1778, 5070 Whitelaw RD, Guelph, Ontario, Canada N1H 6Z9  
Telephone: (519) 637-0920 FAX: (519) 837-0449

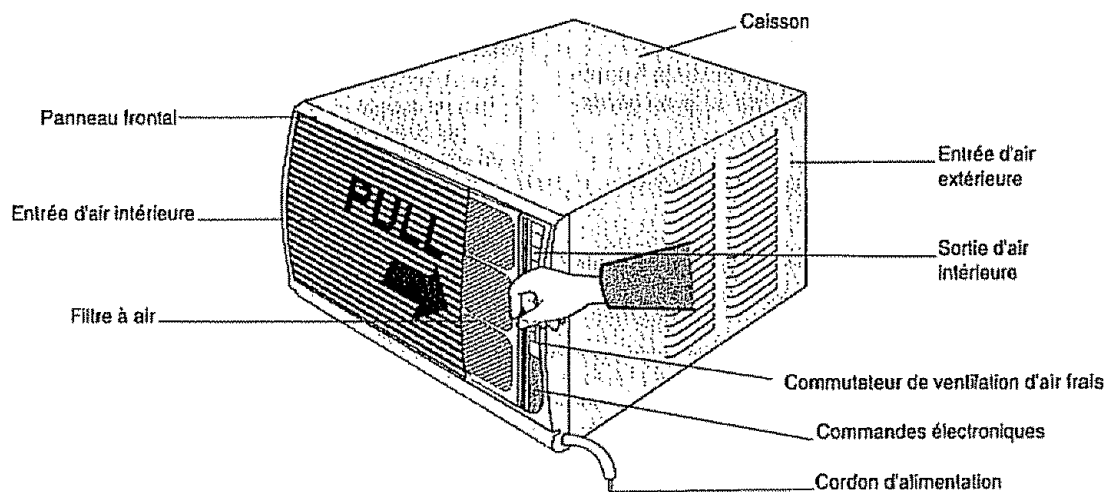
Danby Products Inc.  
PO Box 669, 101 Bentley Court, Findlay, Ohio, U.S.A. 45840  
Telephone: (419) 425-8627 FAX: (419) 425-6529

01/01

## TABLE DE MATIÈRES

	Page
Introduction .....	16
Fiche signalétique .....	16
Spécifications électriques .....	17
Conseils d'économie d'énergie .....	18
Installation dans la fenêtre .....	18
Instructions de fonctionnement .....	25
Précautions et entretien .....	26
Guide de dépannage .....	27
Garantie .....	28

## Identification des pièces





## INTRODUCTION

Nous vous remercions d'avoir choisi un climatiseur de chambre Danby Silhouette pour refroidir votre logement. Ce manuel d'utilisation et d'entretien fournit les renseignements nécessaires pour prendre soin et entretenir votre nouveau climatiseur de pièce. S'il est adéquatement entretenu, votre climatiseur vous donnera de nombreuses années d'utilisation sans problème. Pour éviter toute difficulté d'installation, veuillez lire les présentes instructions, complètement, avant d'installer et de faire fonctionner votre appareil.

**REMARQUE :** Cet appareil n'a PAS été conçu pour une installation à travers une paroi.

À titre de référence, vous pouvez agraffer à cette page une copie de votre reçu d'achat de l'appareil. Inscrivez les renseignements suivants fournis (sur la plaque signalétique du fabricant figurant sur le côté droit de l'appareil au-dessus du cordon d'alimentation). Vous aurez besoin de ces renseignements si vous contactez un représentant du Service à la clientèle.

Numéro de modèle: \_\_\_\_\_

Numéro de série: \_\_\_\_\_

Date de l'achat: \_\_\_\_\_

Nom et adresse du concessionnaire: \_\_\_\_\_

Veuillez vous reporter à la section du dépannage figurant dans ce manuel d'utilisation et d'entretien, si l'appareil ne fonctionne pas correctement. Si cette suggestion ne résout pas le problème, contactez un représentant autorisé des services ou appelez directement Danby, sans frais, au numéro : 1-800-263-2629

Veuillez conserver ces instructions pour de futures références. Ce symbole indique une mise en garde ou un avertissement.



**! MISE EN GARDE !**

Ne laissez pas un climatiseur de pièce sans surveillance dans un espace où se trouvent des gens ou des animaux qui ne peuvent pas réagir à un appareil défaillant. Un appareil défaillant peut causer une surchauffe extrême ou entraîner la mort dans un tel espace confiné et sans surveillance.

Modèle No.	DAC7024DE	
Fiche signalétique		
Voltage	115V/60Hz	
Capacité de refroidissement (Btu/h)	7,000	
Puissance d'entrée	650	
Régime nominal d'efficacité énergétique (EER)	10.7	
Vitesses ventilateur/refroidissement	3/3	
Dimensions de l'aire de refroidissement (pieds <sup>2</sup> )	250	
Niveau du bruit (dB)	47	
Dimensions de l'appareil	Largeur	17.75 po
	Profondeur	22.5 po
	Hauteur	13.5 po
Dimensions ensemble fenêtre	Largeur maximum	37 po
	Largeur minimum	24.5 po
	Hauteur minimum	15.5 po
Poids d'expédition	97 lb	

Remarque: Les spécifications peuvent être changées sans avis, à titre d'amélioration.


## SPÉCIFICATIONS ÉLECTRIQUES

1. Tous les câblages doivent être conformes aux codes électriques locaux et nationaux et doivent être installés par un électricien qualifié. Si vous avez la moindre question au sujet des instructions ci-dessous, contactez un électricien qualifié.
2. Vérifiez la fourniture d'alimentation électrique disponible et résolvez tout problème de câblage AVANT d'installer et de faire fonctionner cet appareil.
3. Ce climatiseur à 115 V utilise 12 ampères ou moins de puissance nominale et peut être utilisé avec toute prise de courant domestique de but général, adéquatement câblée. Voir le Tableau 1 pour les spécifications pour circuit de dérivation individuel.
4. Pour votre sécurité et votre protection, cet appareil est mis à la masse par la fiche du cordon d'alimentation lorsqu'elle est branchée dans une prise murale correspondante. Si vous n'êtes pas certain que votre prise de courant murale est mise à la masse adéquatement, veuillez consulter un électricien qualifié.
5. La prise murale (à 3 broches) doit correspondre à la fiche à 3 broches sur le cordon de service fourni avec l'appareil. N'utilisez PAS de fiches d'adaptation. Voir le Tableau 2 pour les renseignements sur les prises de courant et les fusibles. S'il est nécessaire d'utiliser une rallonge électrique pour brancher votre climatiseur, utilisez une rallonge électrique approuvée pour « climatiseur » exclusivement, (disponible dans la plupart des quincailleries).
6. La plaque signalétique sur l'appareil contient des données électriques et techniques; elle se trouve sur le côté droit de l'appareil, au-dessus du cordon d'alimentation.

**Tableau 1 : Circuit de dérivation individuel suggéré**

Puissance nominale : ampères	Calibre AWG*
5,0 à 12	14
AWG American Wire Gage	
* Basé sur un fil de cuivre à une valeur limite de température de 60° C.	

**Tableau 2 : Types de prises de courant et de fusibles**

Voltage nominal	125
Amps	15
Prise de courant murale	
Dimensions du fusible	15
Fusible à retardement (ou disjoncteur)	Type de fiche

## CONSEILS D'ÉCONOMIE D'ÉNERGIE

Votre climatiseur de pièce est conçu pour être d'une grande efficacité dans l'économie d'énergie. Pour l'augmenter encore, veuillez suivre les recommandations ci-dessous :

1. Sélectionnez un réglage du thermostat qui convienne aux besoins de votre confort et laissez le thermostat au réglage choisi.
2. Le filtre à air est très efficace pour éliminer les particules en suspension dans l'air. Gardez toujours le filtre propre.
3. Utilisez des draperies, rideaux ou stores pour empêcher les rayons directs du soleil de réchauffer la pièce, mais n'obstruez PAS le climatiseur. Permettez à l'air de circuler autour de l'appareil, sans obstacle.

## INSTALLATION DANS UNE FENÊTRE



### Danger de choc électrique

Pour éviter la possibilité d'une blessure corporelle, débranchez l'alimentation de l'appareil avant son installation ou son entretien.

Outils nécessaires pour installation dans une fenêtre

Tournevis À tête Phillips et plate  
 Perceuse électrique Mèche de 1/8 po de diam  
 Crayon  
 Ruban à mesure  
 Ciseaux  
 Clé réglable  
 Niveau à bulle



### MISE EN GARDE

Pour éviter les difficultés d'installation et de fonctionnement, veuillez lire les instructions attentivement.

Votre climatiseur de chambre a été conçu pour une installation facile dans une fenêtre à châssis à guilotine simple ou double.

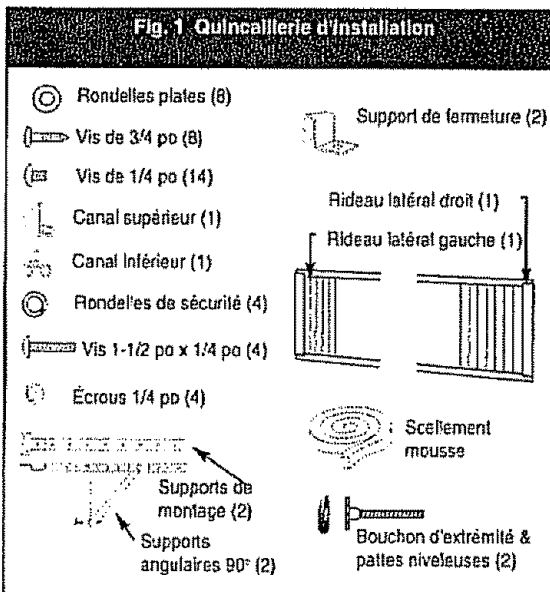
**REMARQUE:** Cet appareil n'a pas été conçu pour des fenêtres verticales (de type coulissant) ou pour être installé à travers une paroi. **REMARQUE:** Conservez le carton d'expédition et le matériel d'emballage pour futur entreposage ou transport de l'appareil. Ôtez l'appareil du

4. Commencez à faire fonctionner votre climatiseur avant que l'air extérieur ne soit chaud et inconfortable. Cela évitera une période d'inconfort lorsque l'appareil commence à refroidir la pièce.
5. Quand les températures extérieures sont assez fraîches, utilisez seulement le ventilateur à la vitesse ÉLEVÉE, MOYENNE OU FAIBLE (selon votre modèle). Cela fait circuler l'air intérieur et produit un certain refroidissement confortable et utilise moins d'électricité que lorsqu'on fait fonctionner le climatiseur en mode refroidissement

carton, le sac en plastique qui contient la trousse de quincaillerie nécessaire pour l'installation de votre climatiseur. Veuillez vérifier le contenu de la trousse de quincaillerie d'installation en le comparant à la liste de vérification du modèle correspondant, et ce, avant l'installation de l'appareil.

Voir fig. 1

Fig. 1 Quincaillerie d'installation



**⚠ MISE EN GARDE ⚠**

Comme le compresseur se trouve du côté des commandes de l'unité (côté droit), ce côté est plus lourd et plus difficile à manipuler. Un soutien inapproprié du côté des commandes de l'appareil peut causer des blessures et endommager l'appareil et d'autres biens mobiliers. C'est pourquoi il est recommandé que quelqu'un vous aide au cours de l'installation de cet appareil.

Votre appareil a été conçu pour que la condensation s'évapore dans des conditions normales. Cependant, en présence d'une humidité extrême, un surplus de condensation peut provoquer un débordement de la cuvette de base vers l'extérieur. L'appareil doit être installé de telle sorte que l'écoulement de la condensation ne se déverse pas sur des passants ou sur des propriétés avoisinantes.

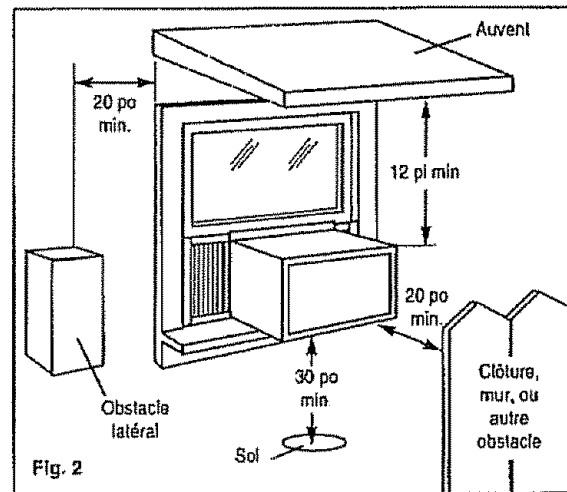
Une connexion de tuyau de drainage (à l'exclusion du tuyau) est fournie pour réacheminer le débordement de la condensation. Voir fig. 25.

### Choix du meilleur endroit

- A. Ce climatiseur pour chambre a été conçu pour être installé facilement dans une fenêtre à châssis à guillotine simple ou double. Cependant, comme le design de la fenêtre peut varier, il peut être nécessaire d'y faire quelques modifications pour une installation sécuritaire et appropriée.
- B. Assurez-vous que la fenêtre et son châssis sont structurellement solides et exempts de bois sec et pourri.
- C. Pour un maximum d'efficacité, installez le climatiseur sur le côté de la maison ou de l'immeuble qui se trouve plus souvent à l'ombre qu'au soleil. Si l'appareil est directement sous les rayons du soleil, il est recommandable d'installer un auvent pour protéger l'unité.
- D. Laissez suffisamment d'espace libre autour du caisson pour permettre une ample circulation d'air à travers l'appareil. Voir fig. 2. L'arrière de l'appareil doit donner sur l'extérieur de la maison et non pas dans un garage ou à l'intérieur d'un immeuble. Tenez l'appareil aussi loin que possible de tout obstacle ou obstruction et au moins à 30 po au-dessus du plancher ou du sol. Il ne faut pas que les rideaux ou d'autres objets à l'intérieur de la pièce puissent bloquer le flux d'air.
- E. Assurez-vous que la prise électrique appropriée se trouve à la portée de l'installation. N'utilisez qu'un circuit à prise unique calculé à 15 ampères. Tout le câblage doit être conforme aux codes électriques locaux et nationaux.

F. N'UTILISEZ PAS DE RALLONGES ÉLECTRIQUES « ORDINAIRES » POUR CET APPAREIL. S'il est nécessaire d'utiliser une rallonge pour brancher votre climatiseur, utilisez uniquement une rallonge approuvée pour « climatiseur » (disponible dans la plupart des quincailleries locales).

G. N'installez PAS l'appareil à un endroit où on soupçonne une fuite de gaz combustibles. Votre climatiseur peut tomber en panne dans une atmosphère qui contient des huiles (y compris des huiles pour machines), des gaz sulfurés, ou s'il est près de sources d'eau chaude, etc.



1. Préparation pour enlever le châssis coulissant du climatiseur (Tous les modèles)

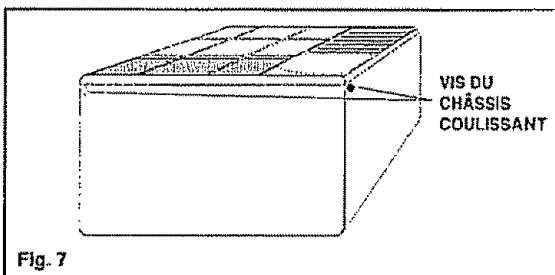
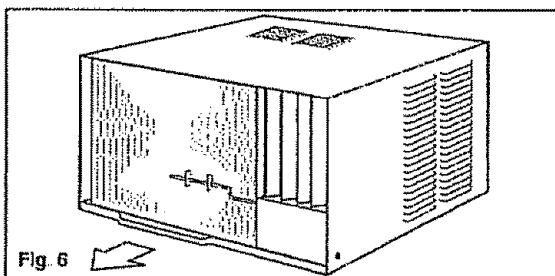
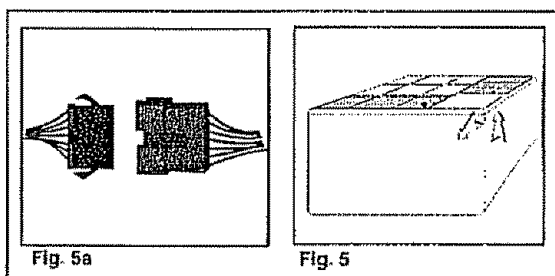
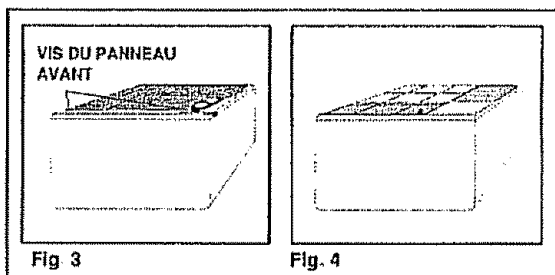
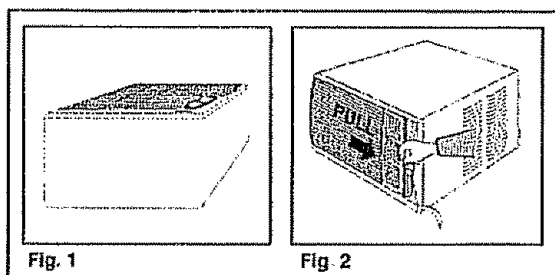
- Mettez l'appareil à la position normale (verticale).
- Enlevez le filtre à air en saisissant la poignée du filtre (grille frontale) et en la glissant vers la droite. (Fig. 2)
- Enlevez la vis à tête Phillips (derrière le filtre) qui fixe la grille frontale au châssis. (Fig. 4)
- Enlevez les vis à tête Philips se trouvant sur l'arête de la grille frontale (à gauche et à droite en bas). (Fig 3)
- Pour enlever la grille frontale, saisissez le coin inférieur frontal de la grille, tirez (gentiment) vers l'extérieur et l'intérieur. (Fig 5)  
Répétez cette étape pour les 3 coins restants.
- Avant que la grille frontale soit complètement enlevée du caisson, il sera nécessaire de débrancher le harnais des fils électriques (mâle et femelle) situé directement derrière la grille frontale. (Fig 5a)
- Enlevez les deux vis Philips (côtés gauche/droit du caisson) qui fixent le châssis coulissant au caisson. (Fig. 7)

**REMARQUE :** Ces vis doivent être réinstallées à la fin de l'installation dans la fenêtre (afin de fixer le châssis coulissant).

**REMARQUE :** Certains modèles peuvent être nécessiter une bride de fixation et vis supplémentaires (châssis coulissant) à l'avant du châssis. Cette bride et cette vis doivent aussi être enlevées avant d'essayer à enlever le châssis coulissant extérieur. (Fig. 6)

**REMARQUE :** Cette bride et cette vis ne doivent pas être réinstallées à la fin de l'installation dans la fenêtre.

Saisissez la poignée qui se trouve à l'avant du châssis coulissant, et glissez avec soin le climatiseur en dehors du caisson. (Fig. 6)  
Veuillez vous faire aider pour cette procédure.



## 2. Montage des canaux supérieur et inférieur sur le caisson (Tous les modèles)

- Canal supérieur en forme de « L » : Installez le canal en forme de « L » au-dessus du caisson tel que montré à la Fig. 8, en utilisant quatre (4) vis de 1/4 po.
- Canal inférieur en forme de « U » : Installez le canal en forme de « U » au bas du caisson tel que montré à la Fig. 8, en utilisant quatre (4) vis de 1/4 po.  
**REMARQUE :** Certains modèles peuvent déjà avoir le canal inférieur installé à l'usine.

## 3. Montage des rideaux latéraux au caisson (Tous les modèles)

- Faites glisser les volets dans les canaux supérieur et inférieur, comme montré à la Fig. 9. Ces volets sont identifiés (sur le cadre) en tant que volets gauches et droits. Fixez les volets au caisson en utilisant quatre vis de 1 po sur chaque côté.

## 4. Installation des supports de montage et de la première lisière à calfeutrer (Tous les modèles)

**REMARQUE SPÉCIALE :** Les fenêtres présentent toute une variété de styles différents. C'est pourquoi il peut être nécessaire de modifier ou d'improviser votre installation particulière.

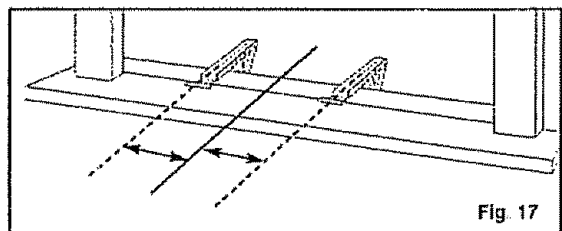
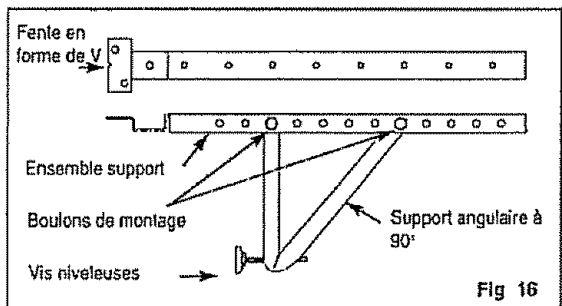
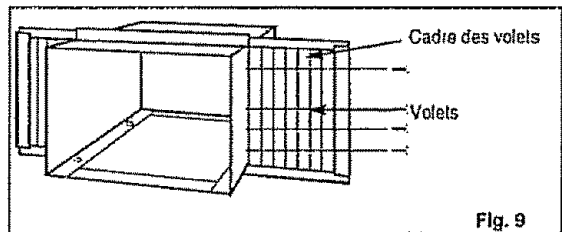
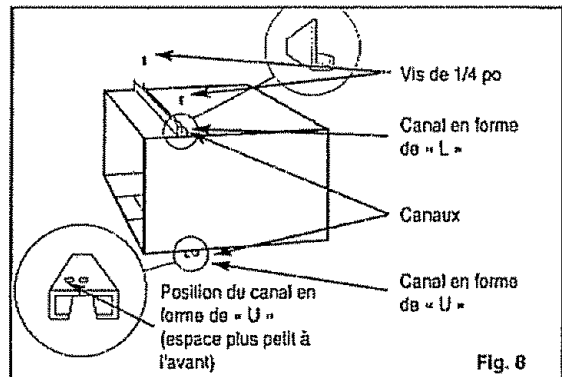
- A. Fixez l'ensemble support aux supports angulaires de 90° (Fig.16) en utilisant les boulons de 1,5 po x 1/4 po (deux par support). Fixez avec les quatre rondelles de sécurité de 1 po et les quatre écrous de 1 po. Ne serrez PAS à fond immédiatement ces vis, car il pourrait être nécessaire d'ajuster la profondeur de l'ensemble support en fonction de la profondeur du cadre de votre fenêtre. Voir Figures 18 & 19. Vérifiez et testez l'ensemble support dans la fenêtre avant l'installation. Si vous êtes satisfait, serrez toutes les vis, installez les deux vis niveleuses dans les supports angulaires de 90° (équerre). Voir Fig. 16. Si les vis niveleuses sont trop distantes de la paroi pour fournir une stabilité adéquate, il peut être nécessaire de diminuer cette distance au moyen d'une solide pièce de bois. Voir Fig. 19.

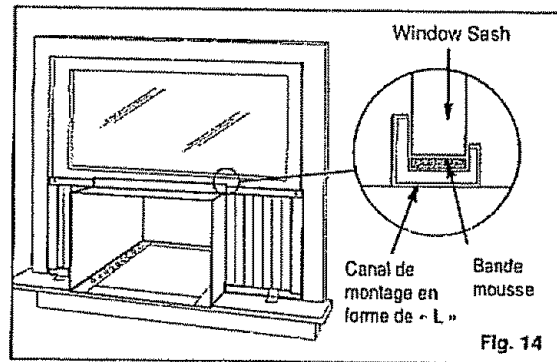
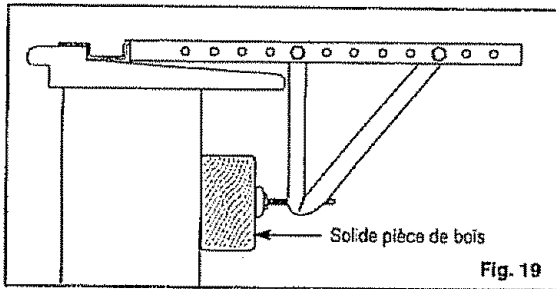
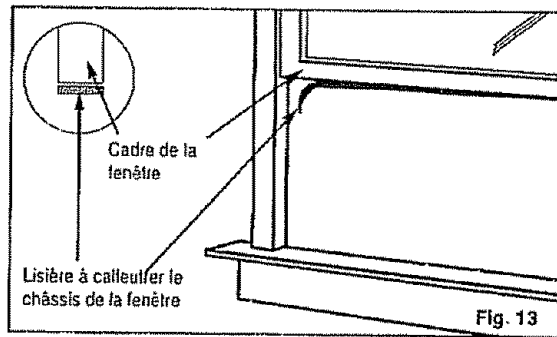
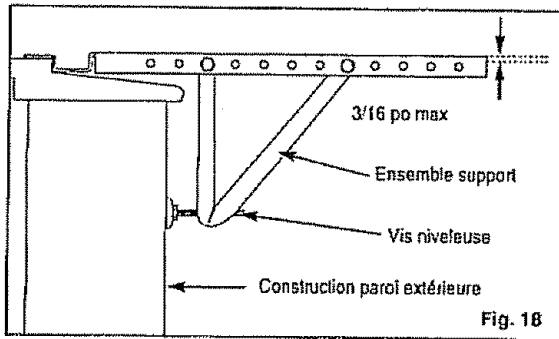
- B. Mesurez la longueur de l'intérieur du rebord de la fenêtre et trouvez le centre, tel qu'il est montré à la Fig. 17.

Modèles DAC7024DE : Mesurez 8,071 po à partir de chaque côté du centre et marquez ces points. Alignez la fente en V sur le support avec chaque marque correspondante et montez les supports sur le rebord en utilisant deux vis de 3/4 po et 2 rondelles plates par support. Les

supports doivent être perpendiculaires au rebord inférieur de la fenêtre, avec le support en (U) serré contre le cadre. Voir Fig. 18.

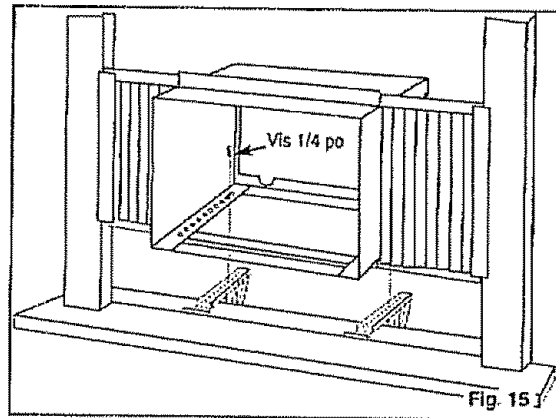
- C. Pour un écoulement approprié de la condensation, il sera nécessaire d'ajuster l'angle de calage des supports de la fenêtre. Cela se fait en ajustant la distance de la vis niveleuse sur la paroi extérieure. L'angle de calage maximum ne doit pas dépasser 3/16 po, Fig. 18.





## 5. Installation du caisson (Tous les modèles)

- A. Placez le caisson du climatiseur dans la fenêtre avec le canal de montage en forme de « L » (en haut) positionné à l'avant du cadre supérieur de la fenêtre. Le canal en forme de « U » au bas du caisson doit être positionné dans le retrait de la voie qui se trouve à l'avant des supports de la fenêtre. Tirez la fenêtre vers le bas jusqu'à ce qu'elle repose juste derrière le rebord frontal du canal de montage en forme de « L » (supérieur). Voir Fig. 14.
- B. Alignez un trou au bas du caisson avec un trou de l'ensemble support. Fixez le caisson au support avec une vis de 1 po, fournie. Répétez sur le côté opposé du caisson. Fig. 15.
- C. Vérifiez pour vous assurer que l'inclinaison (angle) du caisson est légèrement dirigée vers le bas à l'extérieur. Si nécessaire, réajustez les vis niveleuses dans la bride de montage. Voir Fig. 18.
- D. Coupez la première lisière à calfeutrer en mousse pour qu'elle se fixe adéquatement au-dessous du bas du châssis de la fenêtre. Enlevez le dos détachable de la mousse et fixez-le au cadre. Voir Fig. 13.

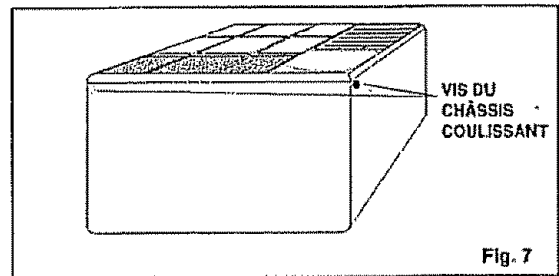


## 6. Installation du châssis coulissant dans le caisson

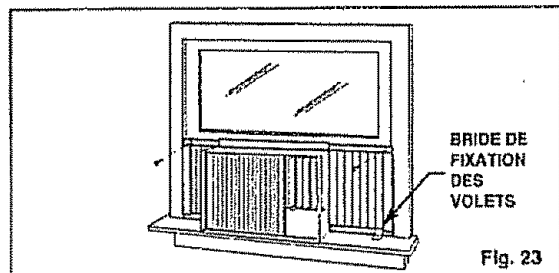
(veuillez demander de l'aide pour cette étape)

- Faites glisser avec soin le climatiseur vers l'arrière dans le caisson (dans la fenêtre).

**Remarque :** Le fil de mise à la terre doit être réinstallé avant de procéder à la prochaine étape.

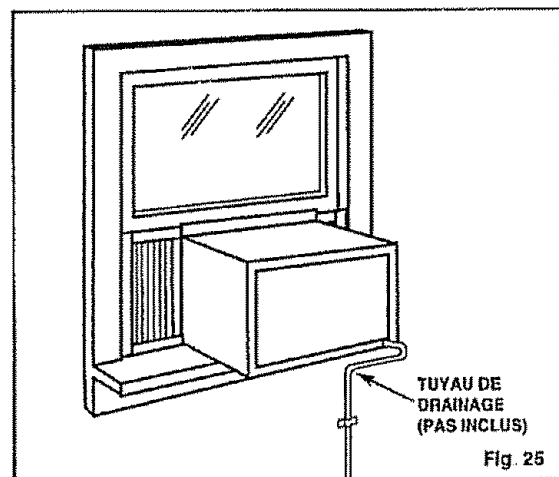
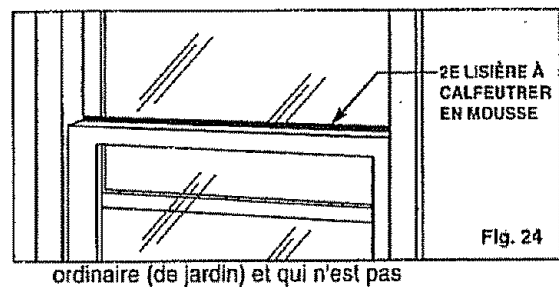


- Réinstallez les vis de sécurité (châssis coulissant) enlevées plus tôt, sur le côté (côtés gauche et droit inférieurs) du caisson. Fig. 7.
- Étendez les cadres des volets (complètement) de chaque côté, et fixez le haut des structures au rebord de la fenêtre en utilisant une vis de 3/4 po et une rondelle plate sur chaque côté. Fig. 23.
- Installez une bride de fixation sur chaque côté (en bas) du cadre des volets, et fixez au rebord de la fenêtre en utilisant une vis de 3/4 po et une rondelle plate sur chaque côté. Fig. 23.



## 7. Réinstallation de la grille frontale (Tous les modèles)

- Avant de réinstaller la grille frontale sur le caisson, vous devez brancher de nouveau le harnais des fils électriques (mâle et femelle) entre le panneau de contrôle de la grille frontale et l'appareil principal (caisson). (Fig. 5a) Assurez-vous que la connexion électrique est fermement et sécuritairement branchée.
- Positionnez le panneau frontal sur le caisson en commençant par le haut. Les languettes de verrouillage du panneau frontal doivent être insérées dans les fentes de retenue du caisson.
- Répétez cette étape sur tous les côtés en vous assurant que le bras du levier de la ventilation d'air frais et le cordon d'alimentation sont installés adéquatement de nouveau dans leur position initiale sur la grille frontale.
- Fixez la grille frontale au caisson en utilisant les vis Phillips enlevées précédemment (Figures 3 & 4)
- Réinstallez le filtre à air.
- Coupez la deuxième bande mousse afin qu'elle s'ajuste adéquatement à l'ouverture entre le haut de l'intérieur et de l'extérieur de la fenêtre. Voir Fig. 24.
- Certaines installations peuvent exiger un scellement supplémentaire autour de la fenêtre et du climatiseur. Vérifiez qu'il n'y ait aucune fuite d'air et scellez là où c'est nécessaire.
- S'il y a beaucoup d'humidité dans l'air, l'élimination de l'eau peut être suffisamment excessive pour déborder à partir de l'arrière de l'appareil ou augmenter les niveaux de bruit du climatiseur. Dans ce cas, il faudra fixer un tuyau de drainage



inclus avec l'appareil, à la prise de drainage se trouvant à l'arrière du climatiseur, afin de permettre à la condensation de s'écouler de façon appropriée. Voir Fig. 25.




## 7. CARACTÉRISTIQUES DES COMMANDES ÉLECTRIQUES

**AFFICHAGE DEL :** La fenêtre des DEL affiche l'information suivante de façon indépendante.

- Réglage de la température de refroidissement
- Température ambiante de la pièce
- Programmes de minuterie automatique
- Marche/Arrêt
- E1 = (filtre à air propre)

**REMARQUE :** Dans des conditions normales de fonctionnement, (lorsque tous les réglages sont complets), la lecture des DEL montre toujours par défaut (affichage) la « température ambiante de la pièce ». Afin de voir la température « réglée » du climatiseur, appuyez sur l'une ou l'autre des touches « température » ▲ du clavier, une seule fois.

 **INTERRUPTEUR D'ALIMENTATION :** Met l'alimentation en marche/arrêt.

**OSCILLATION :** Active le dispositif d'oscillation d'air automatique.

**(ÉCONOMISEUR D'ÉNERGIE) :** Appuyez sur la touche « OSCILLATION » et restez-y pendant 3 secondes pour activer le programme ÉCONOMISEUR D'ÉNERGIE. Ce programme est conçu pour réduire la consommation d'énergie en limitant (restreignant) le fonctionnement du moteur du ventilateur avec le fonctionnement du compresseur, i.e. compresseur à l'arrêt/ventilateur à l'arrêt compresseur en marche/ventilateur en marche

**REMARQUE :** Quand la commande ÉCONOMISEUR D'ÉNERGIE n'est pas sélectionnée, le moteur du ventilateur fonctionne de façon continue, même après que le compresseur (mode refroidissement) a terminé son cycle. compresseur en marche/ventilateur en marche compresseur à l'arrêt/ventilateur à l'arrêt

**MODE :** Active le mode VENTILATEUR ou REFROIDISSEMENT.

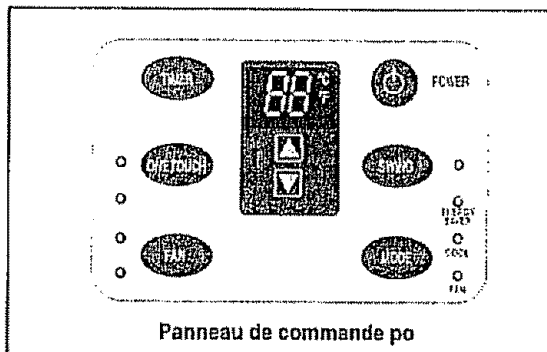
**MINUTERIE :** Active le démarrage automatique ou l'arrêt automatique du programme de la minuterie à partir de 0 - 12 heures (par périodes d'une heure).

**UNE TOUCHE :** Active un réglage de la température pré-réglé (à l'usine) de 22°C (+/-2°C) 71,6°F.

**VENTILATEUR :** Active les réglages de vitesse du ventilateur. (Élevée, Moyenne, Faible)

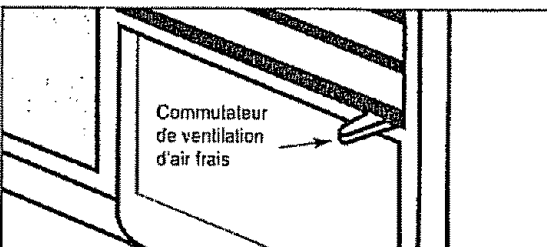
▲ **TOUCHE NUMÉRIQUE :** Active (augmente) les réglages de température.

▼ **TOUCHE NUMÉRIQUE :** Active (diminue) les réglages de température.



**⚠ MISE EN GARDE ⚠**

Attendez trois minutes avant d'ajuster/changer les réglages de température. L'ajustage trop rapide des températures peut faire griller un fusible en raison du déclenchement du compresseur par surcharge. La ventilation d'air frais doit toujours être maintenue en position « fermée » quand le mode climatiseur est en marche. La ventilation d'air frais doit être en position « ouverte » quand le « mode ventilateur » est en marche, uniquement, lorsque vous voulez éliminer de la fumée et/ou des odeurs de la pièce.



## INSTRUCTIONS DE FONCTIONNEMENT

**ALIMENTATION** : Appuyez sur la touche numérique ALIMENTATION pour mettre l'appareil en marche ou l'arrêter.

**▲ RÉGLAGES DE TEMPÉRATURE** : Appuyez sur la touche « vers le haut » pour augmenter la température réglée du climatiseur. Chaque fois que vous appuyez sur cette touche numérique, la température est augmentée comme suit :

2°F (échelle Fahrenheit)	Réglage maximum 90°F
1°C (échelle Celsius)	Réglage maximum 31°C

**▼ RÉGLAGES DE TEMPÉRATURE** : Appuyez sur la touche « vers le bas » pour diminuer la température réglée du climatiseur. Chaque fois que vous appuyez sur cette touche numérique, la température est diminuée comme suit :

2°F (échelle Fahrenheit)	Réglage maximum 60°F
1°C (échelle Celsius)	Réglage maximum 16°C

**OSCILLATION** : Appuyez sur la touche numérique OSCILLATION pour activer la fonction d'oscillation automatique de l'air. La lumière pilote verte adjacente à la touche numérique OSCILLATION s'allumera, identifiant le mode choisi qui est en marche. Les volets verticaux oscilleront en mouvements de va-et-vient (d'un côté à l'autre) automatiquement, distribuant de l'air alternativement pour donner un refroidissement confortable. Pour arrêter le mode oscillation, appuyez de nouveau sur la touche numérique OSCILLATION, la lumière pilote verte adjacente à la touche numérique s'éteindra.

**(ÉCONOMISEUR D'ÉNERGIE)** : Pour activer le mode ÉCONOMISEUR D'ÉNERGIE, appuyez sur la touche numérique « OSCILLATION » et restez-y pendant 3 secondes. La lumière pilote verte située directement au-dessus du mode ÉCONOMISEUR D'ÉNERGIE s'allumera identifiant le mode choisi qui est en marche. Le programme ÉCONOMISEUR D'ÉNERGIE aide à réduire la consommation d'énergie (électricité) en contrôlant (limitant) le fonctionnement du moteur du ventilateur avec les cycles opérationnels du compresseur, i.e.

compresseur à l'arrêt/ventilateur à l'arrêt compresseur en marche/ventilateur en marche. Si le mode ÉCONOMISEUR D'ÉNERGIE n'est pas activé, le ventilateur fonctionnera de façon continue, même après que le compresseur aura fini son cycle, i.e. compresseur en marche/ventilateur en marche compresseur à l'arrêt/ventilateur en marche.

**REMARQUE** : L'économiseur d'énergie fonctionne en mode « refroidissement » seulement.

**MODE** : Appuyez sur cette touche numérique pour choisir le mode de fonction approprié. (Ventilateur/Refroidissement) Chaque pression sur la touche MODE va alterner entre le mode « REFROIDISSEMENT » et « VENTILATEUR ». La lumière pilote verte adjacente directement au-dessus du mode REFROIDISSEMENT ou VENTILATEUR s'illuminera, identifiant le mode choisi qui est en marche.

**MINUTERIE** : Appuyez sur cette touche numérique pour activer les programmes « démarrage automatique » et « arrêt automatique » de la minuterie. Les programmes démarrage/arrêt automatiques peuvent être réglés à partir de 0-12 heures. Chaque pression sur la touche numérique de la MINUTERIE augmentera le temps choisi par périodes d'une heure chacune.

**DÉMARRAGE AUTOMATIQUE** : Avant d'activer le programme « démarrage automatique », vous devez tout d'abord choisir (régler) les conditions de fonctionnement du climatiseur (i.e. réglage de la température, vitesse du ventilateur, oscillation, etc.). Lorsque les réglages sont complétés, le climatiseur doit être mis à la position arrêt (i.e. pas en mode de fonctionnement). Appuyez sur la touche numérique MINUTERIE et l'heure de démarrage automatique apparaîtra dans l'affichage DEL, puis choisissez l'heure désirée (0-12 heures), et le climatiseur va démarrer automatiquement à l'heure indiquée.

**ARRÊT AUTOMATIQUE** : Mettez le climatiseur en marche et sélectionnez les conditions requises de fonctionnement (i.e. le réglage de température et la vitesse du ventilateur). Appuyez sur la touche numérique MINUTERIE et l'heure apparaîtra dans l'affichage DEL, sélectionnez l'heure d'arrêt automatique désirée (0 - 12 heures), et le climatiseur s'arrêtera automatiquement à l'heure déterminée. **REMARQUE** : Il n'est pas possible de faire fonctionner à la fois le « démarrage automatique » et l'« arrêt automatique » dans un seul programme. Tous les programmes à minuterie automatique sont automatiquement effacés après que le programme réglé est complété.

**UNE TOUCHE** : Appuyez sur cette touche pour activer un réglage de température pré-réglée à l'usine de 22°C +/-2°C (71,6°F). Le climatiseur fonctionnera et maintiendra la température intérieure à ce réglage. Les réglages de vitesse du ventilateur peuvent aussi être changés durant le programme UNE TOUCHE.

## INSTRUCTIONS DE FONCTIONNEMENT, SUITE

**VENTILATEUR** : Appuyez sur cette touche pour activer le réglage de vitesse appropriée du ventilateur. Chaque pression sur la touche numérique va alterner les options de vitesse du ventilateur, Élevée, Moyenne, Faible. La lumière pilote verte correspondant à l'option de vitesse du VENTILATEUR s'illuminera et identifiera le choix effectué.

**E1 = NETTOYEZ LE FILTRE À AIR** : Un message-guide « E1 » s'affichera automatiquement dans la fenêtre DEL indiquant le moment approprié de nettoyer le filtre à air. Le programme E1 est un dispositif de minuterie (encastré) qui marche à partir de la durée de fonctionnement (climatiseur). Il est très important de toujours garder le filtre à air propre afin de maximiser l'efficacité du refroidissement. (Voir Nettoyage du filtre à air) Le filtre à air « doit » absolument être nettoyé lorsque le message « E1 » apparaît. Pour annuler (éliminer) le message E1 de l'affichage DEL, le climatiseur « doit » être débranché (de la prise murale) de la source d'alimentation, puis rebranché. Cela règle de nouveau et automatiquement le dispositif interne de minuterie du programme « E1 ».

**REMARQUE** : Comme en cas de panne d'électricité le programme « E1 » est automatiquement remis en fonction, nous vous suggérons d'enlever et de nettoyer le filtre à air avant le redémarrage de l'appareil.

**Affichage de la température Celsius/FAHRENHEIT** : Il est possible de changer l'affichage DEL de la température en « Celsius » ou « Fahrenheit », en appuyant sur les touches numériques (température), simultanément.

La lumière pilote verte « °C/°F » (symbole) s'allumera, identifiant ainsi la sélection du mode.

## PRÉCAUTIONS ET ENTRETIEN

Avant de procéder à l'entretien du climatiseur, assurez-vous de mettre le climatiseur à la position « ARRÊT » et de débrancher le cordon d'alimentation de la prise électrique.

1. N'utilisez PAS de l'essence, un produit chimique, diluant ou autre sur un climatiseur, car ces substances peuvent endommager la finition de la peinture et déformer des pièces en plastique.
2. N'essayez jamais de verser de l'eau directement sur le climatiseur, car cela provoque une détérioration de l'isolation électrique.
3. Lorsque la grille d'entrée d'air et le caisson sont sales, les laver à l'eau tiède. (au-dessous de 40°C (104°F)). S'ils sont très sales, les laver avec de l'eau savonneuse ou un agent nettoyant neutre.

## Information sur le filtre à air

Le filtre à air joue un rôle très important dans les niveaux de fonctionnement de tout climatiseur. Un filtre à air propre maximisera l'efficacité du refroidissement. Un filtre à air sale minimisera l'efficacité du refroidissement. Il est donc important de garder le filtre à air « propre » en tout temps. Cet appareil fait partie d'un programme qui montrera un message « E1 » (= NETTOYEZ LE FILTRE À AIR) dans l'affichage DEL indiquant quand il est temps de nettoyer le filtre à air.

## Enlèvement du filtre à air

Le filtre à air est situé derrière la grille frontale de prise d'air. Pour enlever le filtre à air, saisissez la poignée du filtre située sur le devant de la grille et faites-le glisser à droite.

Pour réinstaller le filtre à air, inversez les étapes ci-dessus.

## Nettoyage du filtre à air

1. Utilisez un aspirateur à poussière muni d'une brosse douce pour enlever les grosses saletés.
2. Lavez le filtre dans de l'eau tiède de moins de 40°C (104°F). Si le filtre est très sale, lavez-le avec de l'eau savonneuse ou un agent nettoyant neutre. (NE LAVEZ JAMAIS LE FILTRE À AIR AU LAVE-VAISSELLE). N'utilisez pas de nettoyants chimiques forts pour nettoyer le filtre à air, car ils peuvent endommager le plastique et les mailles du filtre.
3. Rincez le filtre avec de l'eau propre et séchez-le à fond avant de le réinstaller.



## MISE EN GARDE



Ne faites JAMAIS fonctionner le climatiseur sans le filtre à air, car les particules de poussière peuvent provoquer la défaillance de l'équipement.

## Entretien hors saison

1. Faites fonctionner uniquement le ventilateur (vitesse élevée) pendant une demi-journée pour sécher l'intérieur du climatiseur.
2. Tournez l'interrupteur d'alimentation à la position arrêt et débranchez la fiche de la prise murale.
3. Nettoyez le filtre à air et le caisson extérieur.
4. Rangez le climatiseur (couvert) dans un endroit sec.

## GUIDE DE DÉPANNAGE

Fréquemment, un problème n'est que mineur et ne nécessite pas l'appel d'un technicien pour le résoudre; utilisez ce guide de dépannage pour une solution possible. Si l'appareil continue à mal fonctionner, composez le numéro sans frais de Danby au 1-800-262-2629 pour demander de l'aide, ou appelez quelqu'un de nos dépôts de services, énumérés dans la liste fournie avec cet appareil « Dépôt autorisé de services ».

Difficulté	Cause Possible	Solution Suggeree
Le climatiseur ne veut pas fonctionner.	Aucun courant branché à l'appareil	Vérifiez le branchement du cordon d'alimentation à la source de courant  Vérifiez le fusible ou le disjoncteur  Vérifiez si le réglage choisi est approprié.
Inefficace ou aucun refroidissement.	<p>Filter à air sale</p> <p>Les dimensions de l'appareil ne conviennent pas à son application.</p> <p>Circulation d'air bloquée.</p> <p>Interruption du courant, réglages changés trop rapidement. ou compresseur déclenché par surcharge</p>	<p>Nettoyez ou remplacez le filtre à air.</p> <p>Vérifiez avec le concessionnaire si la capacité de l'appareil est appropriée à son application.</p> <p>Enlevez l'objet qui obstrue la grille ou les volets extérieurs</p> <p>Arrêtez le climatiseur et attendez 5 minutes avant de le remettre en marche.</p>
Appareil bruyant	<p>Pièces desserrées</p> <p>Support inadéquat</p>	<p>Serrez les pièces qui sont desserrées ou ont du jeu</p> <p>Fournissez un support supplémentaire à l'appareil.</p>
Odeurs	Formation de moisissure ou d'algues sur les surfaces mouillées.	<p>Nettoyez à fond l'appareil.</p> <p>Mettez une tablette anti-algues dans la cuvette de base.</p>
De l'eau s'égoutte à l'extérieur.	L'écoulement de la condensation est normal, quand le temps est chaud et humide.	Ajoutez un tube flexible pour réacheminer l'écoulement de l'eau. Voir Fig. 25
De l'eau s'égoutte à l'intérieur.	L'appareil n'est pas incliné adéquatement pour permettre à l'eau de s'écouler à l'extérieur.	L'appareil doit être installé à un certain angle pour permettre un écoulement adéquat de la condensation. Vérifiez l'appareil et exécutez tout ajustement.
Formation de glace ou de givre	<p>Température très froide à l'extérieur.</p> <p>Le filtre à air de l'appareil est sale.</p>	<p>Lorsque la température extérieure est d'environ 65°F ou moins, du givre peut se former quand l'appareil est en mode refroidissement. Réglez l'appareil en mode VENTILATEUR (seulement) jusqu'à ce que le givre fonde.</p> <p>Enlevez et nettoyez le filtre à air.</p>

- REMARQUES:**
1. Si le disjoncteur se déclenche à maintes reprises, ou si le fusible a grillé plus d'une fois, contactez un technicien qualifié.
  2. Quand l'appareil est installé en suivant les étapes d'installation adéquates, l'appareil est incliné de façon appropriée vers l'extérieur pour permettre l'écoulement de la condensat

# Danby<sup>®</sup>

## GARANTIE LIMITÉE DE CLIMATISEUR

Cet appareil de qualité est garanti exempt de tout vice de matière première et de fabrication, s'il est utilisé dans les conditions normales recommandées par le fabricant.

Cette garantie n'est offerte qu'à l'acheteur initial de l'appareil vendu par Danby ou par l'un des ses distributeurs agréés et elle ne peut être transférée.

### CONDITIONS

- D'abord 2 ans** Pendant la première (2) ans, toutes pièces électriques de ce produit s'avèrent défectueuses, y compris les unités ayant des systèmes obturés, seront réparées ou remplacées, selon le choix du garant, sans frais à l'acheteur INITIAL.
- Tiers (Troisième) pendant cinquième année** Pendant les prochaines trois (3) années, les pièces s'avèrent défectueuses (y compris le: compresseur, condensateur, évaporateur, sècheuse, et tous leurs boyaux) seront remplacés sans frais. L'acheteur est responsable envers tous les frais de main-d'oeuvre et de transport pendant cette période de trois (3) ans pour la réparation et le rechange sur tous les composants du système obturé. Toute unité de diagnostic inadéquate due à un vice du système obturé et qui exige une unité de rechange pendant ces trois (3) ans subira un taux de dépréciation convenable ou à un frais pour l'acheteur. Ceci inclut tous les frais de transport qui seront imposés contre l'acheteur.
- Pour bénéficier du service sous garantie** Danby réserve le droit de limiter le rayon du "Service au domicile" selon la proximité d'un dépôt de service autorisé. Le client sera responsable pour le transport et tous les frais d'expédition de tout appareil exigeant le service en dehors des limites du "Service au domicile" au dépôt de service autorisé le plus proche. S'adresser au détaillant qui a vendu l'appareil, ou à la station technique agréée de service la plus proche, où les réparations doivent être effectuées par un technicien qualifié. Si les réparations sont effectuées par quiconque autre que la station de service agréée ou à des fins commerciales, toutes les obligations de Danby en vertu de cette garantie seront nulles et non avenues.

### EXCLUSIONS

En vertu de la présente, il n'existe aucune autre garantie, condition ou représentation, qu'elle soit exprimée ou tacite, de façon manifeste ou intentionnelle, par Danby Products Limited (Canada) ou Danby Products Inc. (E.-U. d'A) ou ses distributeurs agréés. De même, sont exclues toutes les autres garanties, conditions ou représentations, y compris les garanties, conditions ou représentations en vertu de toute loi régissant la vente de produits ou de toute autre législation ou règlement semblables.

En vertu de la présente, Danby Products Limited (Canada) ou Danby Products Inc. (E.-U. d'A.) ne peut être tenue responsable en cas de blessures corporelles ou des dégâts matériels, y compris à l'appareil, quelle qu'en soit les causes. Danby ne peut pas être tenue responsable des dommages indirects dus au fonctionnement défectueux de l'appareil. En achetant l'appareil, l'acheteur accepte de mettre à couvert et de dégager Danby Products Limited de toute responsabilité en cas de réclamation pour toute blessure corporelle ou tout dégât matériel causé par cet appareil.

### CONDITIONS GÉNÉRALES

La garantie ou assurance ci-dessus ne s'applique pas si les dégâts ou réparations sont dus aux cas suivants:

- 1) Panne de courant;
- 2) Dommages subis pendant le transport ou le déplacement de l'appareil;
- 3) Alimentation électrique incorrecte (tension faible, câblage défectueux, fusibles incorrects);
- 4) Accident, modification, emploi abusif ou incorrect de l'appareil;
- 5) Utilisation dans un but commercial ou industriel;
- 6) Incendie, dommages causés par feu, vol, guerre, émeute, hostilités, cas de force majeure (ouragan, inondation, etc.);
- 7) Visites d'un technicien pour expliquer le fonctionnement de l'appareil au propriétaire.

Une preuve d'achat doit être présentée pour toute demande de réparation sous garantie. Prière de garder le reçu. Pour faire honorer la garantie, présenter ce document à la station technique agréée ou s'adresser à:

Service sous-garantie		
Climatiseur	Canada	E.-U. d'A
	Domicile	Domicile

Danby Products Limited  
PO Box 1778, 5970 Whizlaw RD, Guelph, Ontario, Canada N1H 6Z3  
Telephone: (519) 837-0920 FAX: (519) 837-0449

Danby Products Inc.  
PO Box 659, 101 Bentley Court, Findlay, Ohio, U.S.A. 45840  
Telephone: (419) 425-8827 FAX: (419) 425-8829

01/01

Danby

*Silhouette*

Model • Modèle  
**DAC7024DE**

For service, contact your nearest  
service depot or call:

**1-800-263-2629**

Pour obtenir le service, consultez  
votre succursale régionale de  
service ou téléphonez:

**1-800-263-2629**

### Room Air Conditioner

The model number of your room air conditioner is found on the serial plate located on the right side of the unit above the power cord.

All repair parts are available for purchase or special order when you visit your nearest service depot. To request service and/or the location of the service depot nearest you, call the TOLL FREE NUMBER: **1-800-263-2629**

When requesting service or ordering parts, always provide the following information:

- Product Type
- Model Number
- Part Number
- Part Description

### Climatiseur de pièce

Le numéro de modèle de votre climatiseur se trouve sur la plaque d'information qui se trouve sur le côté droit de l'appareil par dessus le cordon d'alimentation.

Toutes les pièces de rechange ou commandes spéciales sont disponibles de votre centre régional de service autorisé. Pour exiger le service et/ou le nom de votre centre de service régional, signalez le NUMÉRO SANS FRAIS: **1-800-263-2629**

Ayez les renseignements suivants à la portée de la main lors de la commande de pièce ou service:

- Genre de produit
- Numéro de modèle
- Numéro de pièce
- Description de la pièce

Danby Products Limited, Guelph, Ontario Canada N1H 6Z9  
Danby Products Inc., Findlay, Ohio USA 45840

Printed in China (P.R.C.)