

**6519-W1-NA**

**User Manual**

**VER: 1.0**

---

## Contents

1	Safety Precautions .....	1
2	Overview .....	3
2.1	Application .....	3
2.2	Features .....	3
2.3	Standards Compatibility and Compliance .....	4
3	Hardware Description and Installation .....	6
3.1	Hardware Description .....	6
3.1.1	Front Panel .....	6
3.1.2	Rear Panel and Side Panel .....	7
3.2	Hardware Installation .....	9
3.2.1	Choosing the Best Location for Wireless Operation .....	9
3.2.2	Connecting the Device .....	9
4	PC Network Configuration and Login .....	11
4.1	PC Network Configuration .....	11
4.2	Logging In to the DSL Router .....	13
5	Web-Based Management .....	14
5.1	Device Information .....	14
5.1.1	Summary .....	14
5.1.2	WAN .....	15
5.1.3	Statistics .....	16
5.1.4	LAN .....	16
5.1.5	WAN Service .....	16
5.1.6	xTM .....	17
5.1.7	xDSL .....	17
5.1.8	Route .....	20
5.1.9	ARP .....	21
5.1.10	DHCP .....	21
5.2	Advanced Setup .....	21
5.2.1	Layer2 Interface .....	23
5.2.2	WAN Service .....	26
5.2.3	3G WAN Service .....	51
5.2.4	LAN Configuration .....	54

5.2.5	NAT .....	60
5.2.6	Security .....	64
5.2.7	Parental Control .....	67
5.2.8	Quality of Service .....	69
5.2.9	Routing .....	72
5.2.10	DNS .....	76
5.2.11	DSL .....	77
5.2.12	UPnP .....	78
5.2.13	DNS Proxy .....	79
5.2.14	Print Server .....	79
5.2.15	Packet Acceleration .....	80
5.2.16	Storage Service .....	80
5.2.17	Interface Grouping .....	81
5.2.18	IP Tunnel .....	82
5.2.19	IPSec .....	84
5.2.20	Certificate .....	86
5.2.21	Power Management .....	90
5.2.22	Multicast .....	91
5.3	Wireless .....	92
5.3.1	Basic Settings .....	93
5.3.2	Security .....	94
5.3.3	MAC Filter .....	102
5.3.4	Wireless Bridge .....	103
5.3.5	Advanced Settings .....	104
5.3.6	Station Info .....	107
5.4	Diagnostics .....	107
5.4.1	Diagnostics .....	107
5.5	Management .....	108
5.5.1	Settings .....	109
5.5.2	System Log .....	110
5.5.3	SNMP Agent .....	111
5.5.4	TR-69 Client .....	112
5.5.5	Internet Time .....	113
5.5.6	Access Control .....	115

	5.5.7	Update Software.....	116
	5.5.8	Reboot.....	117
6		Q&A.....	118

## 1 Safety Precautions

Read the following information carefully before operating the device. Please follow the following precaution items to protect the device from risks and damage caused by fire and electric power:

- Use volume labels to mark the type of power.
- Use the power adapter that is packed within the device package.
- Pay attention to the power load of the outlet or prolonged lines. An overburden power outlet or damaged lines and plugs may cause electric shock or fire accident. Check the power cords regularly. If you find any damage, replace it at once.
- Proper space left for heat dissipation is necessary to avoid any damage caused by overheating to the device. The holes on the device are designed for heat dissipation to ensure that the device works normally. Do not cover these heat dissipation holes.
- Do not put this device close to a place where a heat source exists or high temperature occurs. Avoid the device from direct sunshine.
- Do not put this device close to a place where is over damp or watery. Do not spill any fluid on this device.
- Do not connect this device to any PC or electronic product, unless our customer engineer or your broadband provider instructs you to do this, because any wrong connection may cause any power or fire risk.
- Do not place this device on an unstable surface or support.

### Mesures de sécurité :

Lire attentivement les informations suivantes avant de mettre l'appareil en fonction. L'application rigoureuse des instructions qui suivent permettront de protéger l'appareil contre les risques et les dommages causés par le feu et l'alimentation électrique.

Référez-vous aux étiquettes apposées sur le produit afin de déterminer le type d'alimentation électrique.

## User Manual

---

Utilisez l'adaptateur d'alimentation électrique que vous trouverez dans l'emballage de l'appareil.

Veillez-vous assurer que la prise électrique à laquelle votre appareil sera relié ne soit pas surchargée. Une prise de courant surchargée ou endommagée peut provoquer un risque d'électrocution ou d'incendies. Vérifiez les cordons d'alimentation régulièrement. S'ils sont endommagés, remplacez-les immédiatement.

L'appareil devra être installé dans un endroit permettant une ventilation adéquate afin d'éviter des dommages occasionnés par une surchauffe de ses composants.

Les orifices de ventilation présents sur le boîtier de l'appareil sont conçus pour une assurer une dissipation de chaleur adéquate dans des conditions normales d'utilisation. Assurez-vous qu'ils ne soient pas couverts.

Ne placez pas cet appareil à proximité d'une source de chaleur ou à tout autre endroit où la température est élevée. Favorisez une installation de l'appareil à l'abri des rayons solaires.

Tenez l'appareil éloigné de toutes formes d'humidité. Ne pas verser de liquide sur l'appareil.

Ne pas brancher cet appareil à un ordinateur ou tout autre appareil électrique sans l'autorisation du service à la clientèle de votre fournisseur de services internet. La mauvaise utilisation de l'appareil peut constituer un risque d'incendie ou d'électrocution.

Ne placez pas cet appareil sur une surface instable.

## 2 Overview

The xDSL Router integrates wireless LAN, USB storage, and 3G WAN services into one unit. It is designed to provide a simple and cost-effective xDSL Internet connection for a private Ethernet and 802.11g/802.11b/802.11n wireless network. The Router combines high-speed xDSL Internet connection, IP routing for the LAN and wireless connectivity in one package. It is usually preferred to provide high access performance applications for the individual users, the SOHOs, and the small enterprises.

The Router is easy to install and use. The Router connects to an Ethernet LAN or computers via standard Ethernet ports. The xDSL connection is made using ordinary telephone line with standard connectors. The advanced security enhancements, packet filtering and port redirection, can help protect your network from potentially devastating intrusions by malicious agents from outside your network.

Network and Router management is done through the web-based management interface that can be accessed through the local Ethernet using any web browser. You may also enable remote management to enable configuration of the Router via the WAN interface.

### 2.1 Application

- Home gateway
- 3G Internet
- Wireless LAN
- SOHOs
- Small enterprises
- Higher data rate broadband sharing
- Audio and video streaming and transfer
- PC file and application sharing
- Network and online gaming
- USB storage

### 2.2 Features

- User-friendly GUI for web configuration
- Several pre-configured popular games. Just enable the game and the port settings are automatically configured.
- Compatible with all standard Internet applications
- Industry standard and interoperable xDSL interface
- Simple web-based status page displays a snapshot of system configuration, and links to the configuration pages
- Downloadable flash software updates
- Support for up to 8 permanent virtual circuits (PVC)
- Support for up to 8 PPPoE sessions
- Support RIP v1 & RIP v2
- WLAN with high-speed data transfer rates, compatible with IEEE 802.11b/g/n
- IP routing and bridging
- Asynchronous transfer mode (ATM) and digital subscriber line (DSL) support
- Point-to-point protocol (PPP)
- Network/port address translation (NAT/PAT)
- Quality of service (QoS)
- Wireless LAN security: WPA, 802.1x, RADIUS client
- Universal plug-and-play(UPnP)
- Print server
- Web filtering
- Management and control
  - Web-based management (WBM)
  - Command line interface (CLI)
  - TR-069 WAN management protocol
- Remote update
- System statistics and monitoring
- DSL router is targeted at the following platforms: DSL modems, wireless access points and bridge.

### 2.3 Standards Compatibility and Compliance

- Support application level gateway (ALG)
- ITU G.992.1 (G.dmt)
- ITU G.992.2 (G.lite)



- ITU G.994.1 (G.hs)
- ITU G.992.3 (ADSL2)
- ITU G.992.5 (ADSL2+)
- 3G (WCDMA, CDMA2000, TD-SCDMA)
- ANSI T1.413 Issue 2
- IEEE 802.3
- IEEE 802.3u
- IEEE 802.11b
- IEEE 802.11g
- IEEE 802.11n

### 3 Hardware Description and Installation

**Note:**

The figures in this document are for reference only.

#### 3.1 Hardware Description

##### 3.1.1 Front Panel



Figure 1 Front panel

The following table describes the indicators on the front panel.

Indicator	Color	Status	Description
Power	Green	On	The device is powered on and the device operates normally.
		Blink	The software is upgrading.
		Off	The device is powered off.
	Red	On	The device is initiating.
Blink		The software is upgrading.	
DSL	Green	On	DSL link has established.
		Blink	The DSL line is training.
		Off	Device is powered off.
Internet	Green	On	Internet is synchronized successfully in the route mode.
		Blink	Internet data is being transmitted.
		Off	Ethernet interface is disconnected.
	Red	On	Authentication has failed.
LAN 1/2/3/4	Green	On	The Ethernet interface is connected.
		Blink	Data is being transmitted through the Ethernet interface.
		Off	The Ethernet interface is disconnected.

Indicator	Color	Status	Description
USB	Green	On	The connection of 3G or USB flash disk has established.
		Blink	Data is being transmitted.
		Off	No signal is detected.
WLAN	Green	On	WLAN is enabled.
		Blink	Data is being transmitted through the wireless interface.
		Off	WLAN is disabled.
WPS	Green	On	Connection succeeds under Wi-Fi Protected Setup.
		Blink	Negotiation is in progress under Wi-Fi Protected Setup.
		Off	Wi-Fi Protected Setup is disabled.

### 3.1.2 Rear Panel and Side Panel

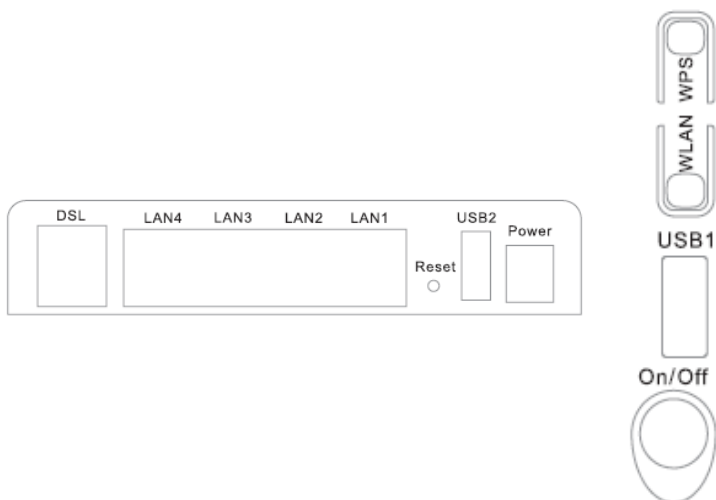


Figure 2 Rear panel

Figure 3 Side panel

The following table describes the interfaces or the buttons.

Interface	Description
DSL	RJ-11 port: Connect the router to DSL connector or splitter through telephone cable.
LAN 4~1	RJ-45 port, for connecting the router to a PC or another network device.
Reset	Press the button for at least 1 second and then release it. System restores the factory default settings.
USB	For connecting the 3G network adapter or other USB storage devices.
Power	Power interface, for connecting the power adapter.
On/Off	Power switch.
WLAN	WLAN switch, for enabling or disabling the WLAN function.
WPS	This button is used for enabling WPS PBC mode. If WPS is enabled, press this button, and then the wireless router starts to accept the negotiation of PBC mode.

 **Warning(Avertissement):**

*Do not press the **Reset** button unless you want to clear the current settings. The **Reset** button is in a small circular hole on the rear panel. If you want to restore the default settings, please press the **Reset** button gently for 1 second with a fine needle inserted into the hole and then release the button. The system reboots and returns to the factory defaults.*

**Attention:**

N'appuyez pas sur le bouton RESET *sauf si vous désirez effacer les paramètres de configuration.* Le bouton RESET est situé au fond d'un orifice circulaire *situé* sur le panneau arrière de l'unité. Si vous souhaitez restaurer les paramètres par défaut,

veuillez appuyer doucement à l'aide d'une aiguille sur le bouton RESET pendant 1. L'unité redémarrera en utilisant les paramètres de configuration par défaut.

## 3.2 Hardware Installation

### 3.2.1 Choosing the Best Location for Wireless Operation

Many environmental factors may affect the effective wireless function of the DSL Router. If this is the first time that you set up a wireless network device, read the following information:

The access point can be placed on a shelf or desktop, ideally you should be able to see the LED indicators in the front, as you may need to view them for troubleshooting. Designed to go up to 100 meters indoors and up to 300 meters outdoors, wireless LAN lets you access your network from anywhere you want. However, the numbers of walls, ceilings, or other objects that the wireless signals must pass through limit signal range. Typical ranges vary depending on types of materials and background RF noise in your home or business.

### 3.2.2 Connecting the Device

**Step 1** Connect the **DSL** port of the router and the Modem port of the splitter with a telephone cable; connect the phone to the phone port of the splitter through a cable; and connect the incoming line to the Line port of the splitter.

The splitter has three ports:

- **Line:** Connect to a wall phone jack (RJ-11 jack)
- **Modem:** Connect to the Line interface of the router
- **Phone:** Connect to a telephone set

**Step 2** Connect the **LAN** port of the router to the network card of the PC through an Ethernet cable.

**Step 3** Plug the power adapter to the wall outlet and then connect the other end of it to the **Power** port of the router.

**Note:**

If you use 3G WAN service, connect the 3G USB data card to the **USB** port of the router.

The following figure displays the connection of the DSL router, PC, and telephones.

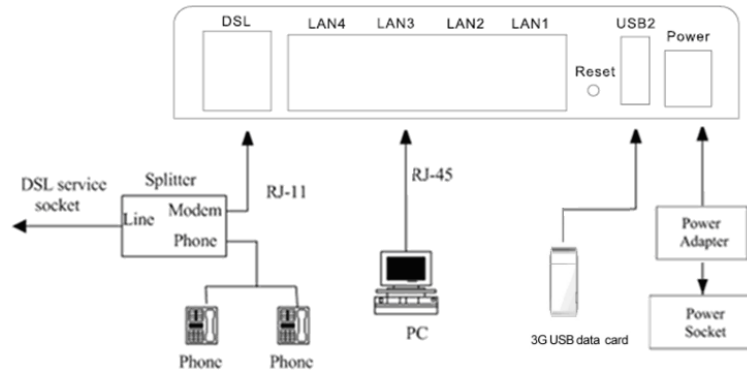


Figure 4 Connecting the DSL router

## 4 PC Network Configuration and Login

### 4.1 PC Network Configuration

Each network interface on the PC should either be configured with a statically defined IP address and DNS address, or be instructed to automatically obtain an IP address using the network DHCP server. DSL router provides a DHCP server on its LAN and it is recommended to configure your LAN to automatically obtain its IP address and DNS server IP address.

The configuration principle is identical but should be carried out differently on each operating system.

The following displays the **TCP/IP Properties** dialog box on Windows XP.

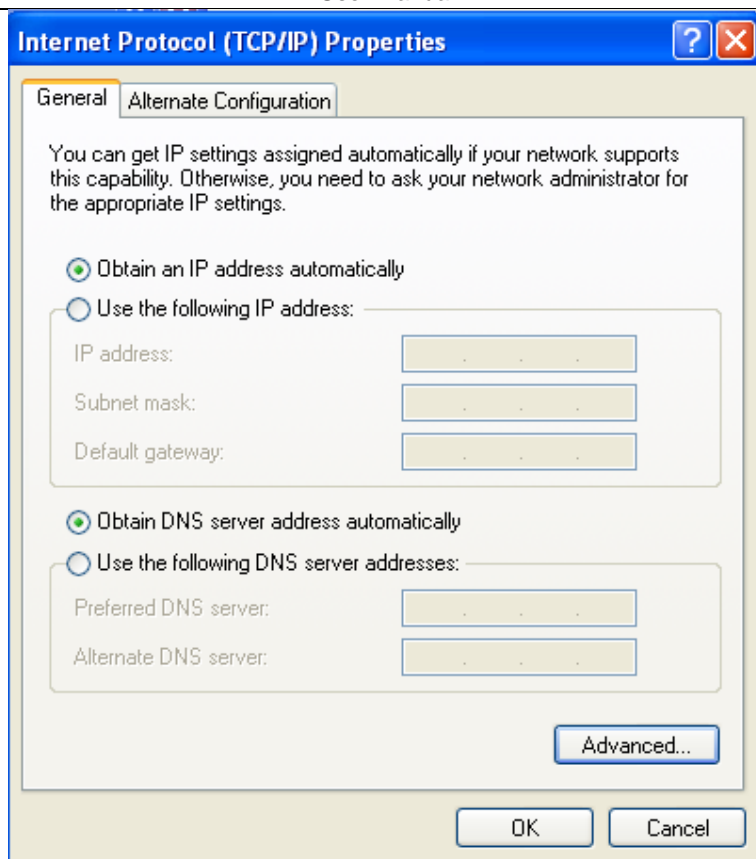


Figure 5 IP and DNS configuration

TCP/IP configuration steps for Windows XP are as follows:

Choose **Start > Control Panel > Network Connections**.

Right-click the Ethernet connection icon and choose **Properties**.

On the **General** tab, select the **Internet Protocol (TCP/IP)** component and click **Properties**.

The **Internet Protocol (TCP/IP) Properties** window appears.



Select the **Obtain an IP address automatically** radio button.  
Select the **Obtain DNS server address automatically** radio button.  
Click **OK** to save the settings.

## 4.2 Logging In to the DSL Router

To log in to the DSL router, do as follows:

Open a Web browser on your computer.

Enter **http://192.168.1.1** (the default IP address of the DSL router) in the address bar. The login page appears.

Enter the user name and the password. The default username and password of the super user are **admin** and **admin**. The username and password of the common user are **user** and **user**. You need not enter the username and the password again if you select the option **Remember my password**. It is recommended to change these default values after logging in to the DSL router for the first time.

Click **OK** to log in to the Web page. Otherwise, please click **Cancel** to exit the login page.



Figure 6 Login page

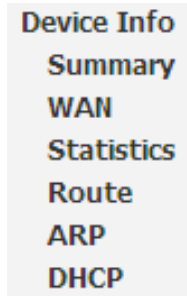
After logging in to the DSL router as a super user, you can query, configure, and modify all the settings, and diagnose the system.

## 5 Web-Based Management

This chapter describes how to use Web-based management of the DSL router, which allows you to configure and control all of DSL router features and system parameters in a user-friendly GUI.

### 5.1 Device Information

Choose **Device Info**, and the submenus of **Device Info** are shown as below:



#### 5.1.1 Summary

Choose **Device Info > Summary**, and the following page appears.

The screenshot shows the 'Device Info' page in a web interface. On the left is a navigation menu with options: Device Info (selected), Summary, WAN, Statistics, Route, ARP, DHCP, Advanced Setup, Wireless, Diagnostics, and Management. The main content area is titled 'Device Info' and contains two tables. The first table lists hardware and software details. The second table, titled 'This information reflects the current status of your WAN connection.', lists network parameters.

Device Info	
Board ID:	96318REF
Manufacturer:	Broadcom
Serial Number:	021018010001
Build Timestamp:	120524_1907
Software Version:	4.12L.02
Bootloader (CFE) Version:	1.0.38-112.108
DSL PHY and Driver Version:	A2pG038a_rc0.d24
Wireless Driver Version:	5.100.138.2001.cpe4.
Uptime:	0D 0H 46M 10S

This information reflects the current status of your WAN connection.

Line Rate - Upstream (Kbps):	1033
Line Rate - Downstream (Kbps):	19383
LAN IPv4 Address:	192.168.1.1
Default Gateway:	ppp0.1
Primary DNS Server:	172.24.10.10
Secondary DNS Server:	172.24.11.10
LAN IPv6 Address:	
Default IPv6 Gateway:	

This page displays the device information such as the board ID, software version, and the information of your WAN connection such as the upstream rate and the LAN address.

### 5.1.2 WAN

Choose **Device Info > WAN** and the following page appears.

WAN Info

Interface	Description	Type	VlanMuxId	Igmp	NAT	Firewall	Status	IPv4 Address	IPv6 Address	Connected Time
ppp0.1	pppoe_0_1_1	PPPoE	Disabled	Disabled	Enabled	Enabled	Unconfigured	0.0.0.0		/

This page displays the information of the WAN interface, such as the connection status, and the IP address.

### 5.1.3 Statistics

#### 5.1.4 LAN

Choose **Device Info > Statistics > LAN** and the following page appears.

##### Statistics -- LAN

Interface	Received				Transmitted			
	Bytes	Pkts	Errs	Drops	Bytes	Pkts	Errs	Drops
eth0	0	0	0	0	9300	65	0	0
eth1	74561	738	0	0	945911	1155	0	0
eth2	0	0	0	0	9300	65	0	0
eth3	0	0	0	0	9300	65	0	0
wlan	0	0	0	0	5822	43	0	0

Reset Statistics

In this page, you can view the statistical information about the received and transmitted data packets of the Ethernet and wireless interfaces.

Click **Reset Statistics** to restore the values to zero and recount them.

### 5.1.5 WAN Service

Choose **Device Info > Statistics > WAN Service** and the following page appears.

Statistics -- WAN

Interface	Description	Connected Time	Received				Transmitted			
			Bytes	Pkts	Errs	Drops	Bytes	Pkts	Errs	Drops
ppp0.1	pppoe_0_1_1	/	0	0	0	0	0	0	0	0

[Reset Statistics](#)

In this page, you can view the statistical information about the received and transmitted data packets of the WAN interface.

Click **Reset Statistics** to restore the values to zero and recount them.

### 5.1.6 xTM

Choose **Device Info > Statistics > xTM** and the following page appears.

Interface Statistics

Port Number	In Octets	Out Octets	In Packets	Out Packets	In OAM Cells	Out OAM Cells	In ASM Cells	Out ASM Cells	In Packet Errors	In Cell Errors

[Reset](#)

In this page, you can view the statistical information about the received and transmitted data packets at the xTM interfaces.

Click the **Reset** button to restore the values to zero and recount them.

### 5.1.7 xDSL

Choose **Device Info > Statistics > xDSL** and the following page appears.

Statistics -- xDSL

Synchronized Time:		
Number of Synchronizations:	0	
Mode:		
Traffic Type:		
Status:	Disabled	
Link Power State:		
	Downstream	Upstream
Line Coding(Trellis):		
SNR Margin (0.1 dB):		
Attenuation (0.1 dB):		
Output Power (0.1 dBm):		
Attainable Rate (Kbps):		
Rate (Kbps):		
Super Frames:		
Super Frame Errors:		
RS Words:		
RS Correctable Errors:		
RS Uncorrectable Errors:		
HEC Errors:		
OCD Errors:		
LCD Errors:		
Total Cells:		
Data Cells:		
Bit Errors:		
Total ES:		
Total SES:		
Total UAS:		

xDSL BER Test

Reset Statistics

In this page, you can view the statistical information about the received and transmitted data packets of the xDSL interfaces.

Click **xDSL BER Test** to test the xDSL Bit Error Rate.

Click **Reset Statistics** to restore the values to zero and recount them.

### **xDSL BER Test**

Click **xDSL BER Test** to perform a bit error rate (BER) test on the DSL line. The test page is as follows:

#### **ADSL BER Test - Start**

The ADSL Bit Error Rate (BER) test determines the quality of the ADSL connection. The test is done by transferring idle cells containing a known pattern and comparing the received data with this known pattern to check for any errors.

Select the test duration below and click "Start".

Tested Time (sec):

The **Tested Time (sec)** can be 1, 5, 10, 20, 60, 120, 180, 240, 300, or 360. Select a time in the drop-down list and click **Start**. The following pages appear.

#### **ADSL BER Test - Running**

The xDSL BER test is in progress. The connection speed is 0 Kbps. The test will run for seconds.

Click "Stop" to terminate the test.

When the ADSL BER test completes, the following page appears.

**ADSL BER Test - Result**

The ADSL BER test completed successfully.

<b>Test Time (sec):</b>	20
<b>Total Transferred Bits:</b>	0x000000001B69B580
<b>Total Error Bits:</b>	0x0000000000000000
<b>Error Ratio:</b>	0.00e+00



**Note:**

*If the BER reaches e-5, you cannot access the Internet.*

**5.1.8 Route**

Choose **Device Info > Route** and the following page appears.

**Device Info -- Route**

Flags: U - up, ! - reject, G - gateway, H - host, R - reinstate

D - dynamic (redirect), M - modified (redirect).

Destination	Destination	Subnet Mask	Flag	Metric	Service	Interface
192.168.1.0	0.0.0.0	255.255.255.0	U	0		br0

In this page, you can view the route table information.



### 5.1.9 ARP

Choose **Device Info > ARP** and the following page appears.

#### Device Info -- ARP

IP address	Flags	HW Address	Device
192.168.1.25	Complete	00:1d:0f:19:91:c1	br0

In this page, you can view the MAC address and IP address information of the device connected to the router.

### 5.1.10 DHCP

Choose **Device Info > DHCP** and the following page appears.

#### Device Info -- DHCP Leases

Hostname	MAC Address	IP Address	Expires In
gjd0c-d0cf4a448	08:00:27:75:75:2c	192.168.1.2	22 hours, 10 minutes, 8 seconds

In this page, you can view the host name, the IP address assigned by the DHCP server, the MAC address this is corresponding to the IP address, and the DHCP lease time.

## 5.2 Advanced Setup

Choose **Advanced Setup** and the submenus of **Advanced Setup** are shown as below:

**Advanced Setup**

**Layer2 Interface**

**WAN Service**

**3G Wan Service**

**LAN**

**NAT**

**Security**

**Parental Control**

**Quality of Service**

**Routing**

**DNS**

**DSL**

**UPnP**

**DNS Proxy**

**Print Server**

**DLNA**

**Packet Acceleration**

**Storage Service**

**Interface Grouping**

**IP Tunnel**

**IPSec**

**Certificate**

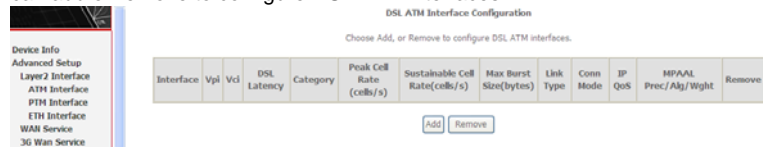
**Power Management**

**Multicast**

## 5.2.1 Layer2 Interface

### 5.2.1.1 ATM Interface

Choose **Advanced Setup > Layer2 Interface > ATM Interface** . In this page, you can add or remove to configure DSL ATM Interfaces.



Click **Add** to add ATM Interface and the following page appears.

**ATM PVC Configuration**

This screen allows you to configure a ATM PVC.

VPI:  [0-255]

VCI:  [32-65535]

Select DSL Latency

Path0 (Fast)

Path1 (Interleaved)

Select DSL Link Type (EoA is for PPPoE, IPoE, and Bridge.)

EoA

PPPoA

IPoA

Encapsulation Mode:

Service Category:

Select Scheduler for Queues of Equal Precedence as the Default Queue

Weighted Round Robin

Weighted Fair Queuing

Default Queue Weight:  [1-63]

Default Queue Precedence:  [1-8] (lower value, higher priority)

VC WRR Weight:  [1-63]

VC Precedence:  [1-8] (lower value, higher priority)

Note: VC scheduling will be SP among unequal precedence VC's and WRR among equal precedence VC's. For single queue VC, the default queue precedence and weight will be used for arbitration. For multi-queue VC, its VC precedence and weight will be used for arbitration.

In this page, you can enter this PVC (VPI and VCI) value, and select DSL link type (EoA is for PPPoE, IPoE, and Bridge.), encapsulation mode, service category.

- **VPI (Virtual Path Identifier):** The virtual path between two points in an ATM network, and its valid value is from 0 to 255.
- **VCI (Virtual Channel Identifier):** The virtual channel between two points in an ATM network, ranging from 32 to 65535 (1 to 31 are reserved for known protocols).

- **DSL Link Type:** EoA (it is for PPPoE, IPoE, and Bridge), PPPoA, or IPoA
- **Encapsulation Mode:** LLC/SNAP-BRIDGING, or VC/MUX
- **Service Category:** UBR Without PCR, UBR With PCR, CBR, Non Realtime VBR, Realtime VBR.
- **Select Scheduler for Queues of Equal Precedence as the Default Queue:** Weighted Round Robin or Weighted Fair Queuing.

Click **Apply/Save** to save the configuration, and return the following page:

DSL ATM Interface Configuration

Choose Add, or Remove to configure DSL ATM interfaces.

Interface	Vpl	Vcl	DSL Latency	Category	Peak Cell Rate (cells/s)	Sustainable Cell Rate(cells/s)	Max Burst Size(bytes)	Link Type	Conn Mode	IP QoS	MPPAAL Prec/Alg/Wght	Remove
atm0	0	36	PoB0	UBR				EoA	VlanMultMode	Support	8/WRR/1	<input type="checkbox"/>

If you want to remove this Interface, please select the **Remove** check box and click **Remove**.

### 5.2.1.2 ETH Interface

Choose **Advanced Setup > Layer2 Interface > ETH Interface**, and the following page appears. In this page, you can add or remove to configure ETH WAN Interfaces.

ETH WAN Interface Configuration

Choose Add, or Remove to configure ETH WAN interfaces.  
Allow one ETH as layer 2 wan interface.

Interface/(Name)	Connection Mode	Remove
------------------	-----------------	--------

Click **Add** and the following page appears.

### ETH WAN Configuration

This screen allows you to configure an ETH port .

Select an ETH port:

In this page, you can select a ETH port. Click **Apply/Save** to save configuration.

**Note:**

If ETH Interface is selected, there are two WAN service types (PPPoE and IPoE).

## 5.2.2 WAN Service

Choose **Advanced Setup > WAN Service**, and the following page appears.

**Wide Area Network (WAN) Service Setup**

Choose Add, Remove or Edit to configure a WAN service over a selected interface.

Interface	Description	Type	Vlan8021p	VlanMuxId	Igmp	NAT	Firewall	IPv6	Mld	Remove	Edit	Action
ppp0.1	pppoe_0_1_1	PPPoE	N/A	N/A	Disabled	Enabled	Enabled	Disabled	Disabled	<input type="checkbox"/>	<input type="button" value="edit"/>	<input type="button" value="Up"/>

In this page, you are allowed to add, remove, or edit a WAN service.

### 5.2.2.1 Adding a PPPoE WAN Service

This section describes the steps for adding the PPPoE WAN service.

**Step1** In the **Wide Area Network (WAN) Service Setup** page, click the **Add** button to display the following page. (At first, you must add a proper ATM interface for this WAN service.)

---

**WAN Service Interface Configuration**

Select a layer 2 interface for this service

Note: For ATM interface, the descriptor string is (portId\_vpi\_vci)

For PTM interface, the descriptor string is (portId\_high\_low)

Where portId=0 --> DSL Latency PATH0

portId=1 --> DSL Latency PATH1

portId=4 --> DSL Latency PATH0&1

low =0 --> Low PTM Priority not set

low =1 --> Low PTM Priority set

high =0 --> High PTM Priority not set

high =1 --> High PTM Priority set

atm0/ (0\_0\_36) ▾

Back Next

**Step2** In this page, you can select a ATM Interface for the WAN service. After selecting the ATM interface, click **Next** to display the following page.

**WAN Service Configuration**

Select WAN service type:

- PPP over Ethernet (PPPoE)
- IP over Ethernet
- Bridging

Enter Service Description:

For tagged service, enter valid 802.1P Priority and 802.1Q VLAN ID.  
For untagged service, set -1 to both 802.1P Priority and 802.1Q VLAN ID.

Enter 802.1P Priority [0-7]:

Enter 802.1Q VLAN ID [0-4094]:

Network Protocol Selection:(IPv6 Only not support)



**Step3** In this page, select the WAN service type to be **PPP over Ethernet (PPPoE)**. Click **Next** to display the following page.



**PPP Username and Password**

PPP usually requires that you have a user name and password to establish your connection. In the boxes below, to you.

PPP Username:

PPP Password:

PPPoE Service Name:

Authentication Method: **AUTO**

MTU[576-1500]:

Config KeepAlive

Enable Fullcone NAT

Dial on demand (with idle timeout timer)

PPP IP extension

Use Static IPv4 Address

Enable PPP Debug Mode

Bridge PPPoE Frames Between WAN and Local Ports

**Multicast Proxy**

Enable IGMP Multicast Proxy

**Step4** In this page, you can modify the PPP username, PPP password, PPPoE service name and authentication method.

- **PPP Username:** The correct user name provided by your ISP.
- **PPP Password:** The correct password provided by your ISP.
- **PPPoE Service Name:** If your ISP provides it to you, please enter it. If not, do not enter any information.
- **Authentication Method:** The value can be AUTO, PAP, CHAP, or MSCHAP. Usually, you can select AUTO.
- **Enable Fullcone NAT:** NAT is one where all requests from the same internal IP address and port are mapped to the same external IP address and port. Furthermore, any external host can send a packet to the internal host, by sending a packet to the mapped external address.

- **Dial on demand (with idle timeout timer):** If this function is enabled, you need to enter the idle timeout time. Within the preset minutes, if the modem does not detect the flow of the user continuously, the modem automatically stops the PPPoE connection. Once it detects the flow (like access to a webpage), the modem restarts the PPPoE dialup. If this function is disabled, the modem performs PPPoE dial-up all the time. The PPPoE connection does not stop, unless the modem is powered off and DSLAM or uplink equipment is abnormal.
- **PPP IP extension:** If you want to configure DMZ Host, you should enable it first.
- **Use Static IPv4 Address:** If this function is disabled, the modem obtains an IP address assigned by an uplink equipment such as BAS, through PPPoE dial-up. If this function is enabled, the modem uses this IP address as the WAN IP address.
- **Enable PPP Debug Mode:** Enable or disable this function.
- **Bridge PPPoE Frames Between WAN and Local Ports:** Enable or disable this function.
- **Enable IGMP Multicast Proxy:** If you want PPPoE mode to support IPTV, enable it.

**Step5** After setting the parameters, click **Next** to display the following page.

Routing -- Default Gateway

Default gateway interface list can have multiple WAN interfaces served as system default gateways but only one will be used according to the priority with the first being the highest and the last one the lowest priority if the WAN interface is connected. Priority order can be changed by removing all and adding them back in again.

<b>Selected Default Gateway Interfaces</b>		<b>Available Routed WAN Interfaces</b>
ppp0.1	<input type="button" value="-&gt;"/> <input type="button" value="&lt;-"/>	ppp1.1
<input type="button" value="Back"/> <input type="button" value="Next"/>		

**Step6** In this page, select a preferred WAN interface as the system default gateway and then click **Next** to display the following page.

**DNS Server Configuration**

Select DNS Server Interface from available WAN interfaces OR enter static DNS server IP addresses for the system. In ATM mode, if only a single PVC with IPoA or static IPoE protocol is configured, Static DNS server IP addresses must be entered.

**DNS Server Interfaces** can have multiple WAN interfaces served as system dns servers but only one will be used according to the priority with the first being the highest and the last one the lowest priority if the WAN interface is connected. Priority order can be changed by removing all and adding them back in again.

**Select DNS Server Interface from available WAN interfaces:**

Selected DNS Server Interfaces Available WAN Interfaces

The screenshot shows a configuration window with two columns. The left column is titled 'Selected DNS Server Interfaces' and contains a list box with 'ppp0.1'. The right column is titled 'Available WAN Interfaces' and contains a list box with 'ppp1.1'. Between the two columns are two buttons: '>' and '<'. Below the interface are 'Back' and 'Next' buttons.

**Step7** In this page, you can obtain the DNS server addresses from the selected WAN interface. Click **Next**, and the following page appears.

**WAN Setup - Summary**

Make sure that the settings below match the settings provided by your ISP.

<b>Connection Type:</b>	PPPoE
<b>NAT:</b>	Enabled
<b>Full Cone NAT:</b>	Enabled
<b>Firewall:</b>	Enabled
<b>IGMP Multicast:</b>	Disabled
<b>Quality Of Service:</b>	Disabled

Click "Apply/Save" to have this interface to be effective. Click "Back" to make any modifications.

The screenshot shows two buttons: 'Back' and 'Apply/Save'.

**Step8** In this page, it displays the information about the PPPoE settings. Click **Apply/Save** to save and apply the settings.

### 5.2.2.2 Adding a MER (IPoE) WAN service

This section describes the steps for adding the MER WAN service.

**Step1** In the **Wide Area Network (WAN) Service Setup** page, click the **Add** button to display the following page. (At first, you must add a ATM interface for this WAN service.)

#### WAN Service Interface Configuration

Select a layer 2 interface for this service

Note: For ATM interface, the descriptor string is (portId\_vpi\_vci)

For PTM interface, the descriptor string is (portId\_high\_low)

Where portId=0 --> DSL Latency PATH0

portId=1 --> DSL Latency PATH1

portId=4 --> DSL Latency PATH0&1

low =0 --> Low PTM Priority not set

low =1 --> Low PTM Priority set

high =0 --> High PTM Priority not set

high =1 --> High PTM Priority set

atm0/(0\_0\_36) ▾

Back Next

**Step2** Select an ATM Interface, and then click **Next** to display the following page.

**WAN Service Configuration**

Select WAN service type:

- PPP over Ethernet (PPPoE)
- IP over Ethernet
- Bridging

Enter Service Description:

For tagged service, enter valid 802.1P Priority and 802.1Q VLAN ID.  
For untagged service, set -1 to both 802.1P Priority and 802.1Q VLAN ID.

Enter 802.1P Priority [0-7]:

Enter 802.1Q VLAN ID [0-4094]:

Network Protocol Selection:(IPV6 Only not support)

**Step3** In this page, select the WAN service type to be IP over Ethernet, enter the service description for this service. After finishing setting, click **Next** to display the following page.

WAN IP Settings

Enter information provided to you by your ISP to configure the WAN IP settings.  
Notice: If "Obtain an IP address automatically" is chosen, DHCP will be enabled for PVC in IPoE mode.  
If "Use the following Static IPv4/IPv6 address" is chosen, enter the WAN IPv4/IPv6 address, subnet mask/prefix Length and interface gateway.

Obtain an IP address automatically

Option 55 Request List :  (e.g:1,3,6,12)

Option 58 Renewal Time:  (hour)

Option 59 Rebinding Time:  (hour)

Option 60 Vendor ID:

Option 61 IAID:  (8 hexadecimal digits)

Option 61 DUID:  (hexadecimal digit)

Option 125:  Disable  Enable

Use the following Static IP address:

WAN IP Address:

WAN Subnet Mask:

WAN gateway IP Address:

Primary DNS server:

Secondary DNS server:

**Step4** In this page, you may modify the WAN IP settings. You may select obtain an IP address automatically or manually enter the IP address provided by your ISP. Click **Next** and the following page appears.

**Note:**

*If selecting **Obtain an IP address automatically**, DHCP will be enabled for PVC in MER mode.*

*If selecting **Use the following Static IP address**, please enter the WAN IP address, subnet mask and gateway IP address.*

**Network Address Translation Settings**

Network Address Translation (NAT) allows you to share one Wide Area Network (WAN) IP address for multiple computers on your Local Area Network (LAN).

- Enable NAT  
ONLY IF REQUIRED -- DISABLES NETWORK ACCELERATION AND SOME SECURITY
- Enable Firewall

**IGMP Multicast**

- Enable IGMP Multicast

[Back](#) [Next](#)

**Step5** In this page, you can set the network address translation settings,for example, enabling NAT, enabling firewall, and enabling IGMP multicast. After finishing setting, click **Next** and the following page appears.

**Routing -- Default Gateway**

Default gateway interface list can have multiple WAN interfaces served as system default gateways but only one will be used according to the priority with the first being the highest and the last one the lowest priority if the WAN interface is connected. Priority order can be changed by removing all and adding them back in again.

**Selected Default Gateway Interfaces**

ppp0.1

->  
<-

**Available Routed WAN Interfaces**

atm0.1

[Back](#) [Next](#)

**Step6** In this page, select a preferred WAN interface as the system default gateway and then click **Next** to display the following page.

DNS Server Configuration

Select DNS Server Interface from available WAN interfaces OR enter static DNS server IP addresses for the system. In ATM mode, if only a single PVC with IPoA or static IPoE protocol is configured, Static DNS server IP addresses must be entered.

**DNS Server Interfaces** can have multiple WAN interfaces served as system dns servers but only one will be used according to the priority with the first being the highest and the last one the lowest priority if the WAN interface is connected. Priority order can be changed by removing all and adding them back in again.

Select DNS Server Interface from available WAN interfaces:

Selected DNS Server Interfaces Available WAN Interfaces

The screenshot shows a configuration window with two main sections. On the left, under the heading 'Selected DNS Server Interfaces', there is a text box containing 'ppp0.1'. On the right, under the heading 'Available WAN Interfaces', there is a text box containing 'atm0.1'. Between these two sections are two small buttons: the top one is labeled '->' and the bottom one is labeled '<-'. Below the interface, there are two buttons labeled 'Back' and 'Next'.

Back Next

**Step7** In this page, you can obtain the DNS server addresses from the selected WAN interface. After finishing setting, click **Next** to display the following page.

WAN Setup - Summary

Make sure that the settings below match the settings provided by your ISP.

Connection Type:	IPoE
NAT:	Disabled
Full Cone NAT:	Enabled
Firewall:	Enabled
IGMP Multicast:	Disabled
Quality Of Service:	Disabled

Click "Apply/Save" to have this interface to be effective. Click "Back" to make any modifications.

Back Apply/Save



**Step8** In this page, it displays the information about the IPoE settings. Click **Apply/Save** to save and apply the settings.

### 5.2.2.3 Adding a PPPoA WAN service

This section describes the steps for adding the PPPoA WAN service.

**Step1** Choose **Advanced Setup > Layer2 Interface > ATM Interface** to display the **DSL ATM Interface Configuration** page. In this page, you need to add a PVC for PPPoA mode. Click the **Add** button in the **DSL ATM Interface Configuration** page to display the following page.

**ATM PVC Configuration**

This screen allows you to configure a ATM PVC.

VPI:  [0-255]

VCI:  [32-65535]

Select DSL Latency

Path0 (Fast)

Path1 (Interleaved)

Select DSL Link Type (EoA is for PPPoE, IPoE, and Bridge.)

EoA

PPPoA

IPoA

Encapsulation Mode:

Service Category:

Select Scheduler for Queues of Equal Precedence as the Default Queue

Weighted Round Robin

Weighted Fair Queuing

Default Queue Weight:  [1-63]

Default Queue Precedence:  [1-8] (lower value, higher priority)

VC WRR Weight:  [1-63]

VC Precedence:  [1-8] (lower value, higher priority)

Note: VC scheduling will be SP among unequal precedence VC's and WRR among equal precedence VC's.

For single queue VC, the default queue precedence and weight will be used for arbitration.

For multi-queue VC, its VC precedence and weight will be used for arbitration.

**Step2** Select the DSL link type to be **PPPoA**, and select the encapsulation mode to be **VC/MUX** (according to the uplink equipment). After finishing setting, click the **Apply/Save** button to apply the settings.

**Step3** Choose **WAN Service** and click **Add** to display the following page.

**WAN Service Interface Configuration**

Select a layer 2 interface for this service

Note: For ATM interface, the descriptor string is (portId\_vpi\_vci)

For PTM interface, the descriptor string is (portId\_high\_low)

Where portId=0 --> DSL Latency PATH0

portId=1 --> DSL Latency PATH1

portId=4 --> DSL Latency PATH0&1

low =0 --> Low PTM Priority not set

low =1 --> Low PTM Priority set

high =0 --> High PTM Priority not set

high =1 --> High PTM Priority set

atm1/(0\_0\_37) ▾

Back Next

**Step4** Select the proper interface for the WAN service, and then click **Next** to display the following page.

**WAN Service Configuration**

Enter Service Description: pppoa\_0\_0\_37

Network Protocol Selection:(IPv6 Only not support)

IPv4 Only ▾

Back Next

**Step5** In this page, you may modify the service description. Click **Next** to display the following page.

## PPP Username and Password

PPP usually requires that you have a user name and password to establish your connection. In the boxes below, enter the user name and password that your ISP has provided to you.

PPP Username:

PPP Password:

Authentication Method:

MTU[576-1500]:

- Enable Fullcone NAT  
ONLY IF REQUIRED -- DISABLES NETWORK ACCELERATION AND SOME SECURITY
- Dial on demand (with idle timeout timer)
- Use Static IPv4 Address
- Enable PPP Debug Mode

### Multicast Proxy

- Enable IGMP Multicast Proxy

- **PPP Username:** The correct user name provided by your ISP.
- **PPP Password:** The correct password provided by your ISP.
- **Authentication Method:** The value can be AUTO, PAP, CHAP, or MSCHAP. Usually, you can select AUTO.
- **Enable Fullcone NAT:** NAT is one where all requests from the same internal IP address and port are mapped to the same external IP address and port. Furthermore, any external host can send a packet to the internal host, by sending a packet to the mapped external address.
- **Dial on demand (with idle timeout timer):** If this function is enabled, you need to enter the idle timeout time. Within the preset minutes, if the modem does not detect the flow of the user continuously, the modem automatically stops the PPPoA connection. Once it detects the flow (like access to a webpage), the modem restarts the PPPoA dialup. If this function is disabled, the modem performs PPPoA dial-up all the time. The PPPoA connection does not stop, unless the modem is powered off and DSLAM or uplink equipment is abnormal.
- **PPP IP extension:** If you want to configure DMZ Host, you should enable it first.
- **Use Static IPv4 Address:** If this function is disabled, the modem obtains an IP address assigned by an uplink equipment such as BAS, through PPPoA

dial-up. If this function is enabled, the modem uses this IP address as the WAN IP address.

- **Enable PPP Debug Mode:** Enable or disable this function.
- **Enable IGMP Multicast Proxy:** If you want PPPoE mode to support IPTV, enable it.

**Step6** In this page, you can enter the PPP username and PPP password provided by your ISP. Select the authentication method according to your requirement. After finishing setting, click **Next** to display the following page.

Routing -- Default Gateway

Default gateway interface list can have multiple WAN interfaces served as system default gateways but only one will be used according to the priority with the first being the highest and the last one the lowest priority if the WAN interface is connected. Priority order can be changed by removing all and adding them back in again.

Selected Default Gateway Interfaces	Available Routed WAN Interfaces
<div style="border: 1px solid black; padding: 5px;">ppp0.1</div>	<div style="border: 1px solid black; padding: 5px;">ppp0a1</div>
<div style="display: inline-block; border: 1px solid black; padding: 2px 5px; margin: 0 5px;">-&gt;</div> <div style="display: inline-block; border: 1px solid black; padding: 2px 5px; margin: 0 5px;">&lt;-</div>	
<div style="display: inline-block; border: 1px solid black; padding: 2px 5px; margin: 0 5px;">Back</div> <div style="display: inline-block; border: 1px solid black; padding: 2px 5px; margin: 0 5px;">Next</div>	

**Step7** In this page, select a preferred WAN interface as the system default gateway and then click **Next** to display the following page.

DNS Server Configuration

Select DNS Server Interface from available WAN interfaces OR enter static DNS server IP addresses for the system. In ATM mode, if only a single PVC with IPoA or static IPoE protocol is configured, Static DNS server IP addresses must be entered.

**DNS Server Interfaces** can have multiple WAN interfaces served as system dns servers but only one will be used according to the priority with the first being the highest and the last one the lowest priority if the WAN interface is connected. Priority order can be changed by removing all and adding them back in again.

Select DNS Server Interface from available WAN interfaces:

Selected DNS Server Interfaces Available WAN Interfaces

**Step8** In this page, you can obtain the DNS server addresses from the selected WAN interface. After finishing setting, click **Next** to display the following page.

**WAN Setup - Summary**

Make sure that the settings below match the settings provided by your ISP.

<b>Connection Type:</b>	PPPoA
<b>NAT:</b>	Enabled
<b>Full Cone NAT:</b>	Enabled
<b>Firewall:</b>	Enabled
<b>IGMP Multicast:</b>	Disabled
<b>Quality Of Service:</b>	Enabled

Click "Apply/Save" to have this interface to be effective. Click "Back" to make any modifications.

**Step9** In this page, it displays the information about the PPPoA settings. Click **Apply/Save** to apply the settings. You can modify the settings by clicking the **Back** button if necessary.

#### **5.2.2.4 Adding an IPoA WAN service**

This section describes the steps for adding the IPoA WAN service.

**Step1** Choose **Advanced Setup > Layer2 Interface > ATM Interface** to display the **DSL ATM Interface Configuration** page. In this page, you need to add a PVC for IPoA mode. Click the **Add** button in the **DSL ATM Interface Configuration** page to display the following page.

**ATM PVC Configuration**

This screen allows you to configure a ATM PVC.

VPI:  [0-255]

VCI:  [32-65535]

Select DSL Latency

Path0 (Fast)

Path1 (Interleaved)

Select DSL Link Type (EoA is for PPPoE, IPoE, and Bridge.)

EoA

PPPoA

IPoA

Encapsulation Mode:

Service Category:

Select Scheduler for Queues of Equal Precedence as the Default Queue

Weighted Round Robin

Weighted Fair Queuing

Default Queue Weight:  [1-63]

Default Queue Precedence:  [1-8] (lower value, higher priority)

VC WRR Weight:  [1-63]

VC Precedence:  [1-8] (lower value, higher priority)

Note: VC scheduling will be SP among unequal precedence VC's and WRR among equal precedence VC's.

For single queue VC, the default queue precedence and weight will be used for arbitration.

For multi-queue VC, its VC precedence and weight will be used for arbitration.

**Step2** Select the DSL link type to be **IPoA**, and select the encapsulation mode to be **LLC/SNAP-ROUTING** (according to the uplink equipment). After finishing setting, click the **Apply/Save** button to save the settings.

**Step3** Choose **WAN Service** and click **Add** to display the following page.



---

**WAN Service Interface Configuration**

Select a layer 2 interface for this service

Note: For ATM interface, the descriptor string is (portId\_vpi\_vci)

For PTM interface, the descriptor string is (portId\_high\_low)

Where portId=0 --> DSL Latency PATH0

portId=1 --> DSL Latency PATH1

portId=4 --> DSL Latency PATH0&1

low =0 --> Low PTM Priority not set

low =1 --> Low PTM Priority set

high =0 --> High PTM Priority not set

high =1 --> High PTM Priority set

ipoa0/ (0\_0\_38) ▾

**Step4** Select the proper interface for the WAN service ,and then click **Next** to display the following page.

**WAN Service Configuration**

Enter Service Description: ipoa\_0\_0\_38

**Step5** In this page, you may modify the service description. Click **Next** to display the following page.

### WAN IP Settings

information provided to you by your ISP to configure the WAN IP settings.

WAN IP Address:	<input type="text" value="0.0.0.0"/>
WAN Subnet Mask:	<input type="text" value="0.0.0.0"/>
Primary DNS server:	<input type="text" value="0.0.0.0"/>
Secondary DNS server:	<input type="text"/>

**Step6** In this page, enter the WAN IP address, the WAN subnet mask, and primary DNS server provided by your ISP and then click **Next** to display the following page.

#### Network Address Translation Settings

Network Address Translation (NAT) allows you to share one Wide Area Network (WAN) IP address for multiple computers on your Local Area Network (LAN).

- Enable NAT
- Enable Fullcone NAT  
ONLY IF REQUIRED -- DISABLES NETWORK ACCELERATION AND SOME SECURITY
- Enable Firewall

#### IGMP Multicast

- Enable IGMP Multicast

In this page, Network Address Translation (NAT) allows you to share one Wide Area Network (WAN) IP address for multiple computers on your Local Area Network (LAN).

If you do not want to enable NAT, and wish the user of modem to access the Internet normally, you need to add a route on the uplink equipment. Otherwise, the access to the Internet fails. Normally, please enable the NAT function.

**Step7** After finishing setting, click **Next** to display the following page.  
Routing -- Default Gateway

Default gateway interface list can have multiple WAN interfaces served as system default gateways but only one will be used according to the priority with the first being the highest and the last one the lowest priority if the WAN interface is connected. Priority order can be changed by removing all and adding them back in again.

<b>Selected Default Gateway Interfaces</b> <div style="border: 1px solid black; padding: 5px; min-height: 60px;">ppp0.1</div>	<div style="border: 1px solid gray; padding: 2px 5px; display: inline-block;">-&gt;</div> <div style="border: 1px solid gray; padding: 2px 5px; display: inline-block;">&lt;-</div>	<b>Available Routed WAN Interfaces</b> <div style="border: 1px solid black; padding: 5px; min-height: 60px;">ipoa0</div>
<div style="display: inline-block; border: 1px solid gray; padding: 2px 5px; margin-right: 5px;">Back</div> <div style="border: 1px solid gray; padding: 2px 5px;">Next</div>		

**Step8** In this page, select a preferred WAN interface as the system default gateway and then click **Next** to display the following page.

DNS Server Configuration

Select DNS Server Interface from available WAN interfaces OR enter static DNS server IP addresses for the system. In ATM mode, if only a single PVC with IPoA or static IPoE protocol is configured, Static DNS server IP addresses must be entered.

**DNS Server Interfaces** can have multiple WAN interfaces served as system dns servers but only one will be used according to the priority with the first being the highest and the last one the lowest priority if the WAN interface is connected. Priority order can be changed by removing all and adding them back in again.

Select DNS Server Interface from available WAN interfaces:

<b>Selected DNS Server Interfaces</b> <div style="border: 1px solid black; padding: 5px; min-height: 60px;">ppp0.1</div>	<div style="border: 1px solid gray; padding: 2px 5px; display: inline-block;">-&gt;</div> <div style="border: 1px solid gray; padding: 2px 5px; display: inline-block;">&lt;-</div>	<b>Available WAN Interfaces</b> <div style="border: 1px solid black; padding: 5px; min-height: 60px;">ipoa0</div>
<div style="display: inline-block; border: 1px solid gray; padding: 2px 5px; margin-right: 5px;">Back</div> <div style="border: 1px solid gray; padding: 2px 5px;">Next</div>		

**Step9** In this page, you can obtain the DNS server addresses from the selected WAN interface. After finishing setting, click **Next** to display the following page.

**WAN Setup - Summary**

Make sure that the settings below match the settings provided by your ISP.

<b>Connection Type:</b>	IPoA
<b>NAT:</b>	Enabled
<b>Full Cone NAT:</b>	Enabled
<b>Firewall:</b>	Disabled
<b>IGMP Multicast:</b>	Disabled
<b>Quality Of Service:</b>	Enabled

Click "Apply/Save" to have this interface to be effective. Click "Back" to make any modifications.



**Step10** In this page, it displays the information about the IPoA settings. Click **Apply/Save** to save and apply the settings. You can modify the settings by clicking the **Back** button if necessary.

### 5.2.2.5 Adding a Bridge WAN service

This section describes the steps for adding the Bridge WAN service.

**Step1** In the **Wide Area Network (WAN) Service Setup** page, click the **Add** button to display the following page. (At first, you must add a proper ATM interface for this WAN service.) Click the **Add** button to display the following page.

---

**WAN Service Interface Configuration**

Select a layer 2 interface for this service

Note: For ATM interface, the descriptor string is (portId\_vpi\_vci)

For PTM interface, the descriptor string is (portId\_high\_low)

Where portId=0 --> DSL Latency PATH0

portId=1 --> DSL Latency PATH1

portId=4 --> DSL Latency PATH0&1

low =0 --> Low PTM Priority not set

low =1 --> Low PTM Priority set

high =0 --> High PTM Priority not set

high =1 --> High PTM Priority set

atm0/ (0\_0\_36) ▾

Back Next

**Step2** Select the proper ATM Interface and then click **Next** to display the following page.

### WAN Service Configuration

Select WAN service type:

- PPP over Ethernet (PPPoE)
- IP over Ethernet
- Bridging

Enter Service Description:

For tagged service, enter valid 802.1P Priority and 802.1Q VLAN ID.  
For untagged service, set -1 to both 802.1P Priority and 802.1Q VLAN ID.

Enter 802.1P Priority [0-7]:

Enter 802.1Q VLAN ID [0-4094]:

**Step3** In this page, you can select the WAN service type, and modify the service description for this service. After finishing setting, click **Next** to display the following page.

#### WAN Setup - Summary

Make sure that the settings below match the settings provided by your ISP.

<b>Connection Type:</b>	Bridge
<b>NAT:</b>	Disabled
<b>Full Cone NAT:</b>	Enabled
<b>Firewall:</b>	Disabled
<b>IGMP Multicast:</b>	Not Applicable
<b>Quality Of Service:</b>	Enabled

Click "Apply/Save" to have this interface to be effective. Click "Back" to make any modifications.

**Step4** In this page, it displays the information about the bridge settings. Click **Apply/Save** to save and apply the settings. You can modify the settings by clicking the **Back** button if necessary.

### 5.2.3 3G WAN Service

Choose **Advanced Setup > 3G WAN Service** , and the following page appears.

modem status NO USB CARD

---

**Wide Area Network (WAN) Service For 3G Mobile Setup**  
Choose Add, Remove or Edit to configure a WAN service For 3G Mobile interface.

Interface	Description	Type	Vlan8021p	VlanMuxId	Igmp	NAT	Firewall	IPv6	Mld	Remove	Edit	Action
-----------	-------------	------	-----------	-----------	------	-----	----------	------	-----	--------	------	--------

This page is used to configure 3G connection. If you want to access the Internet through 3G connection, a 3G network card is required. Connect the 3G network card to the USB interface of the Router.

- **Information:** Click it to display the information of the 3G network card.
- **Pin Manage:** Click it to configure the 3G PIN.
- **Upload Driver:** For a un-support USB dongle, click it to upload the new driver for supporting the USB. The driver is a text file.

Click **Add** in the **WAN Service For 3G Mobile Setup** to display the following page.

---

Enable USB Modem

User Name:

Password:

Authentication Method:

APN:

Dial Number:

Idle time(in sec.):

Dial on demand

Dial Delay(in sec.):

Default WAN Connection Select:

WAN backup mechanism:  DSL  IP connectivity

In this page, you are allowed to configure the settings of the 3G USB modem.

- **Enable USB Modem:** If you want to access the Internet through the 3G network card, you must enable the USB modem.
- **User Name:** Username provided by your 3G ISP.
- **Password:** Password provided by your 3G ISP.
- **Authentication Method:** Select a proper authentication method in the drop-down list. You can select Auto, PAP, CHAP, or MSCHAP.
- **APN:** APN (Access Point Name) is used to identify the service type. Enter the APN provided by your 3G ISP.
- **Dial Number:** Enter the dial number provided by your 3G ISP.



- **Idle time (in sec.):** If no traffic for the preset time, the 3G will disconnect automatically.
- **Net Select:** Select the 3G network that is available. You may select EVDO, WCDMA, CDMA2000, TD-SCDMA, GSM, or Auto.
- **Dial on demand:** Within the preset minutes, if the modem does not detect the flow of the user continuously, the modem automatically stops the 3G connection. Once it detects the flow (like access to a webpage), the modem restarts the 3G dialup.
- **Dial Delay (in sec.):** The 3G delays dial after the DSL is disconnected.
- **Default WAN Connection Select:** You can select DSL or 3G from the drop-down list.
- **WAN back mechanism:** The 3G connection is backup for the DSL connection.
  - **DSL:** If the DSL is disconnected, the 3G starts to dial.
  - **IP connectivity:** If the system fails to ping the specified IP address, the 3G starts to dial.

After finishing setting, click the **Apply/Save** button to save the settings.

You may also click the **auto setting** button to automatically configure the 3G connection.

After clicking the **Apply/Save** button, the following page appears.

modem status: Unconfigured

Wide Area Network (WAN) Service For 3G Mobile Setup  
Choose Add, Remove or Edit to configure a WAN service For 3G Mobile interface.

Interface	Description	Type	Vlan8021p	VlanMuxId	Igmp	NAT	Firewall	IPv6	Mkd	Remove	Edit	Action
ppp3g0	mobile	mobile	N/A	N/A	Disabled	Enabled	Enabled	Disabled	Disabled	--	<input type="button" value="edit"/>	<input type="button" value="Dial"/>

If the 3G network card is installed, you may click the button on the **Action** column to establish or disconnect the 3G connection.

**Note:**

When there is no DSL WAN connection, insert the 3G network card, and then system will perform dial-up automatically. If the DSL WAN connection and the 3G connection coexist, the DSL WAN connection takes priority over the 3G

connection. When the DSL WAN connection starts to perform dial-up, the 3G connection will be disconnected. If the DSL WAN connection has established, you may manually to perform 3G dial-up, and then the DSL WAN connection will be disconnected.

### 5.2.4 LAN Configuration

Choose **Advanced Setup > LAN**, and the following page appears.

#### Local Area Network (LAN) Setup

Configure the Broadband Router IP Address and Subnet Mask for LAN interface. GroupName Default

IP Address:   
Subnet Mask:

Enable IGMP Snooping

Standard Mode

Blocking Mode

Enable LAN side firewall

Disable DHCP Server

Enable DHCP Server

Start IP Address:

End IP Address:

Primary DNS server:

Secondary DNS server:

Leased Time (hour):

Static IP Lease List: (A maximum 32 entries can be configured)

MAC Address	IP Address	Remove
<input type="button" value="Add Entries"/>	<input type="button" value="Remove Entries"/>	

Configure the second IP Address and Subnet Mask for LAN interface

In this page, you can configure an IP address for the DSL router, enable IGMP snooping, enable or disable the DHCP server, edit the DHCP option, configure the DHCP advanced setup and set the binding between a MAC address and an IP address.

### Configuring the Private IP Address for the DSL Router

IP Address:	<input type="text" value="192.168.1.1"/>
Subnet Mask:	<input type="text" value="255.255.255.0"/>

In this page, you can modify the IP address of the device. The preset IP address is 192.168.1.1.

### Enabling IGMP Snooping

IGMP snooping enables the router to forward multicast traffic intelligently, instead of flooding all ports in the VLAN. With IGMP snooping, the router listens to IGMP membership reports, queries and leave messages to identify the switch ports that are members of multicast groups. Multicast traffic will only be forwarded to ports identified as members of the specific multicast group or groups.

- Enable IGMP Snooping
- Standard Mode
- Blocking Mode

### Enabling the LAN Side Firewall

Firewall can prevent unexpected traffic on the Internet from your host in the LAN.

- Enable LAN side firewall

In this page, you can enable or disable the LAN side firewall.

### Configuring the DHCP Server

Enable DHCP Server

Start IP Address:

End IP Address:

Leased Time (hour):

If you enable the DHCP sever, the clients will automatically acquire the IP address from the DHCP server. If the DHCP server is disabled, you need to manually set the start IP address, end IP address and the lease time for the clients in the LAN.

### Editing the DHCP Option60

Click the **Edit DHCP Option60** button in the **Local Area Network (LAN) Setup** page to display the **DHCP Option60 Setup** page.

**DHCP OPTION 60 SETUP**

This page allow you to setup dhcp option 60, the dhcp server will assign one ip address based on you setting to dhcp client.

**DHCP OPTION 60 TABLE:**

State	deviceClass	name	vendorId	minAddress	maxAddress	dnsPrimary	dnsSecondary	subnetMask	gateWay	dhcpLeaseTime

In this page, you can add, edit or delete the DHCP60 options.

### Editing the DHCP Option

Click the **Edit DHCP Option** button in the **Local Area Network (LAN) Setup** page to display the **DHCP Option Setup** page.

**DHCP Option Setup**

This page allows you to configure the DHCP OPTION. These options will be sent to DHCP client. You can difine at most 30 options.

State	Code	Value	Pool

In this page, you can add, edit or delete the DHCP options, and these options will be sent to the DHCP client.

### DHCP Advanced Setup

Click the **DHCP Advance Setup** button in the **Local Area Network (LAN) Setup** page to display the following page. In this page, you can enable or disable DHCP for every LAN interface.

#### DHCP Advance Setup

This page allows you to enable or disable dhcp for every lan interface. You must enable **lan ports**.

State	Interface
<input checked="" type="checkbox"/>	eth0
<input checked="" type="checkbox"/>	eth1
<input checked="" type="checkbox"/>	eth2
<input checked="" type="checkbox"/>	eth3
<input checked="" type="checkbox"/>	eth4
<input checked="" type="checkbox"/>	wl0
<input checked="" type="checkbox"/>	wl0.1
<input checked="" type="checkbox"/>	wl0.2
<input checked="" type="checkbox"/>	wl0.3

### Configuring the DHCP Static IP Lease List

The lease list of static IP address can reserve the static IP addresses for the hosts with the specific MAC addresses. When a host whose MAC address is in the lease list of static IP address requests the DHCP server for an IP address, the DHCP server assigns the reserved IP address to the host.

MAC Address	IP Address	Remove
<input type="button" value="Add Entries"/>		
<input type="button" value="Remove Entries"/>		

Click the **Add Entries** button in the **Local Area Network (LAN) Setup** page to display the **DHCP Static IP Lease** page.

**DHCP Static IP Lease**

Enter the Mac address and Static IP address then click Apply/Save .

MAC Address:

IP Address:

Apply/Save

In this page, enter the MAC address of the LAN host and the static IP address that is reserved for the host, and then click the **Apply/Save** button to apply the settings.

**Configuring the Second IP Address and Subnet Mask for a LAN Interface**

In the **Local Area Network (LAN) Setup** page, you are allowed to set the second IP address and the subnet mask for a LAN interface.

**Configure the second IP Address and Subnet Mask for LAN interface**

IP Address:

192.168.249.1

Subnet Mask:

255.255.255.252

After enabling **Configure the second IP Address and Subnet Mask for LAN interface**, enter an IP address and a subnet mask for the LAN interface.

After finishing setting, click the **Apply/Save** button to apply the settings.

**5.2.4.1 IPv6 Auto-configuration**

Click **Advanced Setup > LAN > IPv6 Autoconfig**, and the following page appears.

**IPv6 LAN Auto Configuration**

Note:

1: Stateful DHCPv6 is supported based on the assumption of prefix length less than 64. Interface ID does NOT support ZERO COMPRESSION ":". Please enter the complete information. For example: Please enter "0:0:0:2" instead of "::2".

2: Unique local address must start with "fd". The prefix and the address must be in same network.

**Enable Unique Local Addresses And Prefix Advertisement**

Randomly Generate

Statically Configure

Address:  (e.g: fd80::1/64)

Prefix:  (e.g: fd80::/64)

Preferred Life Time (hour):

Valid Life Time (hour):

**IPv6 LAN Applications**

Enable DHCPv6 Server and RADVD

Stateless

Stateful

Start interface ID:

End interface ID:

Leased Time (hour):

Enable MLD Snooping

Standard Mode

Blocking Mode

In this page, you can set an IP address for the DSL IPv6 router, enable the DHCPv6 server, enable RADVD and enable the MLD snooping function.

- **Enable DHCPv6 Server:** WIDE-DHCPv6 is an open-source implementation of dynamic host configuration protocol for IPv6 (DHCPv6) originally developed by the KAME project. The implementation mainly complies with the following standards: RFC3315, RFC3319, RFC3633, RFC3646, RFC4075, RFC 4272 etc.

- **Enable RADVD:** The router advertisement daemon (RADVD) is run by Linux or BSD systems acting as IPv6 routers. It sends router advertisement messages, specified by RFC2461, to a local Ethernet LAN periodically and when requested by a node sending a router solicitation message. These messages are required for IPv6 stateless auto-configuration.
- **Enable MLD Snooping:** Multicast Listener Discovery Snooping (MLD Snooping) is an IPv6 multicast constraining mechanism that runs on Layer 2 devices to manage and control IPv6 multicast groups. By analyzing received MLD messages, a Layer 2 device running MLD Snooping establishes mappings between ports and multicast MAC addresses and forwards IPv6 multicast data based on these mappings.

After finishing setting, click the **Save/Apply** button to apply the settings.

## 5.2.5 NAT

### 5.2.5.1 Virtual Servers

Firewall can prevent unexpected traffic on the Internet from your host on the LAN. The virtual server can create a channel that can pass through the firewall. In that case, the host on the Internet can communicate with a host on your LAN within certain port range.

Choose **Advanced Setup > NAT > Virtual Servers**, and the following page appears.

NAT -- Virtual Servers Setup

Virtual Server allows you to direct incoming traffic from WAN side (identified by Protocol and External port) to the Internal server with private IP address on the LAN side. The Internal port is required only if the external port needs to be converted to a different port number used by the server on the LAN side. A maximum 32 entries can be configured.

Server Name	External Port Start	External Port End	Protocol	Internal Port Start	Internal Port End	Server IP Address/Hostname	WAN Interface	LAN Loopback	Enable/Disable	Remove
-------------	---------------------	-------------------	----------	---------------------	-------------------	----------------------------	---------------	--------------	----------------	--------

In this page, you are allowed to add or remove a virtual server entry.

To add a virtual server, do as follows:

**Step 1** Click the **Add** button to display the following page.



NAT -- Virtual Servers

Select the service name, and enter the server IP address and click "Apply/Save" to forward IP packets for this service to the specified server.  
**NOTE: The "Internal Port End" cannot be modified directly. Normally, it is set to the same value as "External Port End". However, if you modify "Internal Port Start", then "Internal Port End" will be set to the same value as "Internal Port Start".**

Remaining number of entries that can be configured:32

Use Interface:

Service Name:

Select a Service:

Custom Service:

Enable LAN Loopback

Server IP Address/Hostname:

Status:

Apply/Save

External Port Start	External Port End	Protocol	Internal Port Start	Internal Port End
		TCP		
		TCP		
		TCP		
		TCP		
		TCP		
		TCP		
		TCP		
		TCP		
		TCP		
		TCP		
		TCP		
		TCP		
		TCP		
		TCP		
		TCP		
		TCP		

Save/Apply

- **Use interface:** Select an interface that you want to configure.
- **Select a Service:** Select a proper service in the drop-down list.
- **Custom Server:** Enter a new service name to establish a user service type.
- **Server IP Address:** Assign an IP address to virtual server.
- **External Port Start:** When selecting a service, the port number will automatically be displayed. You can modify it if necessary.
- **External Port End:** When selecting a service, the port number will automatically be displayed. You can modify it if necessary.
- **Protocol:** You may select TCP/UDP, TCP, or UDP in the drop-down list.
- **Internal Port Start:** When selecting a service, the port number will automatically be displayed. You can modify it if necessary.

- **Internal Port End:** When selecting a service, the port number will automatically be displayed. You can modify it if necessary.
- Step 2** After finishing setting, click **Save/Apply** to save and apply the settings.

### 5.2.5.2 Port Triggering

Some applications need some ports to be opened in the firewall for the remote access. When an application initializes a TCP/UDP to connect to a remote user, port triggering dynamically opens the open ports of the firewall.

Choose **Advanced Settings > NAT > Port Triggering**, and the following page appears.

#### NAT -- Port Triggering Setup

Some applications require that specific ports in the Router's firewall be opened for access by the remote parties. Port Trigger dynamically opens up the 'Open Ports' in the firewall when an application on the LAN initiates a TCP/UDP connection to a remote party using the 'Triggering Ports'. The Router allows the remote party from the WAN side to establish new connections back to the application on the LAN side using the 'Open Ports'. A maximum 32 entries can be configured.

Application Name	Trigger				Open		WAN Interface	Remove
	Protocol	Port Range		Protocol	Port Range			
		Start	End		Start	End		

In this page, you may add or remove an entry of port triggering. Click the **Add** button to display the following page.

NAT -- Port Triggering

Some applications such as games, video conferencing, remote access applications and others require that specific ports in the Router's firewall be opened for access by the applications. You can configure the port settings from this screen by selecting an existing application or creating your own (Custom application) and click "Save/Apply" to add it.

Remaining number of entries that can be configured:32

Use Interface:

Application Name:

Select an application:

Custom application:

Trigger Port Start	Trigger Port End	Trigger Protocol	Open Port Start	Open Port End	Open Protocol
<input type="text"/>	<input type="text"/>	TCP	<input type="text"/>	<input type="text"/>	TCP
<input type="text"/>	<input type="text"/>	TCP	<input type="text"/>	<input type="text"/>	TCP
<input type="text"/>	<input type="text"/>	TCP	<input type="text"/>	<input type="text"/>	TCP
<input type="text"/>	<input type="text"/>	TCP	<input type="text"/>	<input type="text"/>	TCP
<input type="text"/>	<input type="text"/>	TCP	<input type="text"/>	<input type="text"/>	TCP
<input type="text"/>	<input type="text"/>	TCP	<input type="text"/>	<input type="text"/>	TCP
<input type="text"/>	<input type="text"/>	TCP	<input type="text"/>	<input type="text"/>	TCP
<input type="text"/>	<input type="text"/>	TCP	<input type="text"/>	<input type="text"/>	TCP
<input type="text"/>	<input type="text"/>	TCP	<input type="text"/>	<input type="text"/>	TCP

- **Use interface:** Select an interface that you want to configure.
- **Select an application:** Select a proper application in the drop-down list.
- **Custom application:** Manually define an application.
- **Trigger port Start:** The start port number that LAN uses to trigger the open port.
- **Trigger port End:** The end port number that LAN uses to trigger the open port.
- **Trigger Protocol:** Select the application protocol. You may select TCP/UDP, TCP, or UDP.
- **Open Port Start:** The start port number that is opened to WAN.
- **Open Port End:** The end port number that is opened to WAN.
- **Open Protocol:** Select the proper protocol that is opened to WAN. You may select TCP/UDP, TCP, or UDP.

After finishing setting, click **Save/Apply** to apply the settings.

**Note:**

You can use a single port number, several port numbers separated by commas, port blocks consisting of two port numbers separated by a dash, or any combination of these, for example 80, 90-140, 180.

### 5.2.5.3 DMZ Host

DMZ allows all the ports of a PC on your LAN to be exposed to the Internet. Set the IP address of the PC to be DMZ host, so that the DMZ host will not be blocked by firewall.

Choose **Advanced Setup > NAT > DMZ host** to display the following page.

NAT -- DMZ Host

The Broadband Router will forward IP packets from the WAN that do not belong to any of the applications configured in the Virtual Servers table to the DMZ host computer.

Enter the computer's IP address and click 'Apply' to activate the DMZ host.

Clear the IP address field and click 'Apply' to deactivate the DMZ host.

DMZ Host IP Address:

Enable LAN Loopback

In this page, enter the IP address of the DMZ host.

After finishing the settings, click the **Apply/Save** button to apply the settings.

If you want to clear the DMZ function of the host, please delete the IP address of the host in the field of **DMZ Host IP Address**, and then click the **Apply/Save** button.

## 5.2.6 Security

### Firewall

Choose **Security > Firewall** and the following page appears.

Firewall Table												
name	interface	type	defaultaction	bytes	pkts							
Firewall's Rule Table												
enabled	Protocol	Action	RejectType	IcmpType	origIPAddress	origMask	origPortRange	destIPAddress	destMask	destPortRange	bytes	pkts
<input type="button" value="Add Firewall"/> <input type="button" value="Add Rule"/> <input type="button" value="Modify Firewall"/> <input type="button" value="Modify Rule"/> <input type="button" value="Cancel"/> <input type="button" value="Remove Firewall"/> <input type="button" value="Remove Rule"/>												

Click **Modify Firewall** or **Remove Firewall** to modify or remove the firewall. And click **Modify Rule** or **Remove Rule** to modify or remove the rule.

Click **Add Firewall**, and the following page appears.

Firewall

a Firewall have a number of Rule which define the behave of match item

name:  interface  type  defaultaction

- **name:** The name of firewall.
- **interface:** You can select **LAN** or **WAN** from the drop-down list.
- **type:** You can select **IN** or **OUT** from the drop-down list.
- **defaultaction:** You can select **Permit** or **Drop** from the drop-down list.

### MAC Filtering Setup

In some cases, you may want to manage Layer2 MAC address to block or permit a computer within the home network. When you enable MAC filter rules, the DSL router serves as a firewall that works at layer 2.

**Note:**

MAC filtering is only effective on ATM PVCs configured in bridge mode.

Choose **Security > MAC Filtering** and the following page appears.

MAC Filtering Setup

"MAC Filtering is only effective on ATM PVCs configured in Bridge mode. **FORWARDED** means that all MAC layer frames will be **FORWARDED** except those matching with any of the specified rules in the following table. **BLOCKED** means that all MAC layer frames will be **BLOCKED** except those matching with any of the specified rules in the following table.

MAC Filtering Policy For Each Interface(maximum 32 entries):

**WARNING: Changing from one policy to another of an interface will cause all defined rules for that interface to be REMOVED AUTOMATICALLY! You will need to create new rules for the new policy.**

Interface	Policy	Change
atm3	FORWARD	<input type="checkbox"/>

Change Policy

Choose Add or Remove to configure MAC filtering rules.

Interface	Protocol	Destination MAC	Source MAC	Frame Direction	Remove
-----------	----------	-----------------	------------	-----------------	--------

Add Remove

In this page, you can add or remove the MAC filtering rule. You may change the MAC filtering policy from **FORWARDED** to **BLOCKED** by clicking the **Change Policy** button.

Click the **Add** button to display the following page.

Add MAC Filter

Create a filter to identify the MAC layer frames by specifying at least one condition below. If multiple conditions are specified, all of them take effect. Click 'Apply' to save and activate the filter.

Protocol Type:

Destination MAC Address:

Source MAC Address:

Frame Direction: LAN(<->WAN

WAN Interfaces (Configured in Bridge mode only)

br\_0\_0\_39/atm3

Apply/Save

- **Protocol Type:** Select the proper protocol type.
- **Destination MAC Address:** Enter the destination MAC address.
- **Source MAC Address:** Enter the source MAC address.
- **Frame Direction:** The direction of transmission frame.
- **WAN Interface (Configured in bridge mode only):** Select the proper WAN interface in the drop-down list.

After finishing setting, click **Apply/Save** to save and apply the filtering rule.

## 5.2.7 Parental Control

### Time Restriction

Choose **Advanced Setup > Parental Control > Time Restriction**, and the following page appears.

Access Time Restriction -- A maximum 16 entries can be configured.

Username	MAC	Mon	Tue	Wed	Thu	Fri	Sat	Sun	Start	Stop	Remove
----------	-----	-----	-----	-----	-----	-----	-----	-----	-------	------	--------

Click the **Add** button to display the following page.

#### Access Time Restriction

This page adds time of day restriction to a special LAN device connected to the Router. The "Browser's MAC Address" automatically displays the MAC address of the LAN device where the browser is running. To restrict other LAN device, click the "Other MAC Address" button and enter the MAC address of the other LAN device. To find out the MAC address of a Windows based PC, go to command window and type "ipconfig /all".

User Name

Browser's MAC Address

Other MAC Address

(xx:xx:xx:xx:xx:xx)

Days of the week **Mon** **Tue** **Wed** **Thu** **Fri** **Sat** **Sun**

Click to select

Start Blocking Time (hh:mm)

End Blocking Time (hh:mm)

This page is used to control the time restriction to a special LAN device that connects to the DSL router. In this page, se the user name and configure the time settings.

After finishing setting, click the **Apply/Save** button to save and apply the settings.

### Url Filter

Click **Advanced Setup > Parental Control > Url Filter**, and the following page appears.

URL Filter -- Please select the list type first then configure the list entries. Maximum 100 entries can be configured.

URL List Type:  Exclude  Include

Address	Port	Remove
		<input type="checkbox"/>

This page is used to prevent the LAN users from accessing some Websites in the WAN.

In this page, you may select the **Exclude** URL list type or the **Include** URL list type. If you select the **Exclude** URL list type, it means that the URLs in the list are not accessible. If you select the **Include** URL list type, you are allowed to access the URLs in the list.

Click the **Add** button to display the following page.

#### Parental Control -- URL Filter Add

Enter the URL address and port number then click 'Apply/Save' to add the entry to the URL filter.

URL Address:

Port Number:  (Default 80 will be applied if leave blank.)

In this page, enter the URL address and its corresponding port number. For example, enter the URL address **http://www.google.com** and the port number **80**, and then click the **Apply/Save** button. See the following figure:

URL Filter -- Please select the list type first then configure the list entries. Maximum 100 entries can be configured.

URL List Type:  Exclude  Include

Address	Port	Remove
http://www.google.com	80	<input type="checkbox"/>



## 5.2.8 Quality of Service

### Enabling QoS

Choose **Advance Setup > Quality of Service** and the following page appears.

QoS -- Queue Management Configuration

If Enable QoS checkbox is selected, choose a default DSCP mark to automatically mark incoming traffic without reference to a particular classifier. Click 'Apply/Save' button to save it.

**Note:** If Enable QoS checkbox is not selected, all QoS will be disabled for all interfaces.

**Note:** The default DSCP mark is used to mark all egress packets that do not match any classification rules.

Enable QoS

Apply/Save

Select **Enable QoS** to enable QoS and configure the default DSCP mark.

QoS -- Queue Management Configuration

If Enable QoS checkbox is selected, choose a default DSCP mark to automatically mark incoming traffic without reference to a particular classifier. Click 'Apply/Save' button to save it.

**Note:** If Enable QoS checkbox is not selected, all QoS will be disabled for all interfaces.

**Note:** The default DSCP mark is used to mark all egress packets that do not match any classification rules.

Enable QoS

Select Default DSCP Mark

Apply/Save

In this page, enable the QoS function and select the default DSCP mark.

After finishing setting, click **Apply/Save** to save and apply the settings.

**Note:**

If the **Enable QoS** checkbox is not selected, all QoS will be disabled for all interfaces. The default DSCP mark is used to mark all egress packets that do not match any classification rules.

### Queue Configuration

Choose **Advanced Setup > Quality of Service > QoS Queue**, and the following page appears.

QoS Queue Setup

In ATM mode, maximum 16 queues can be configured.

In PTM mode, maximum 8 queues can be configured.

For each Ethernet interface, maximum 3 queues can be configured.

To add a queue, click the **Add** button.

To remove queues, check their remove checkboxes, then click the **Remove** button.

The **Enable** button will scan through every queues in the table. Queues with enable checkbox checked will be enabled. Queues with enable checkbox un-checked will be disabled.

The enable checkbox also shows status of the queue after page reload.

If you disable WMM function in Wireless Page, queues related to wireless will not take effects

The QoS function has been disabled. Queues would not take effects.

Name	Key	Interface	Qid	Prec/Alg/Wght	DSL Latency	PTM Priority	Shaping Rate (bits/s)	Burst Size (bytes)	Enable	Remove
WMM Voice Priority	1	wl0	0	1/SP					Enabled	
WMM Voice Priority	2	wl0	0	2/SP					Enabled	
WMM Video Priority	3	wl0	0	3/SP					Enabled	
WMM Video Priority	4	wl0	0	4/SP					Enabled	
WMM Best Effort	5	wl0	0	5/SP					Enabled	
WMM Background	6	wl0	0	6/SP					Enabled	
WMM Background	7	wl0	0	7/SP					Enabled	
WMM Best Effort	8	wl0	0	8/SP					Enabled	
Default Queue	34	ptm0	1	8/WRR/1	Path0	Low			<input type="checkbox"/>	

In this page, you can enable, add or remove a QoS rule.

**Note:**

The lower integer value for precedence indicates the higher priority.

Click the **Add** button to display the following page.

**QoS Queue Configuration**

This screen allows you to configure a QoS queue and add it to a selected layer2 interface.

Name:

Enable:  ▾

Interface:  ▾

- **Name:** Enter the name of QoS queue.
- **Enable:** Enable or disable the QoS queue.
- **Interface:** Select the proper interface for the QoS queue.

After finishing setting, click **Apply/Save** to save and apply the settings.

**QoS Classification**

Choose **Advanced Setup > Quality of Service > QoS Classification** and the following page appears.

QoS Classification Setup -- maximum 32 rules can be configured.

To add a rule, click the **Add** button.

To remove rules, check their remove-checkboxes, then click the **Remove** button.

The **Enable** button will scan through every rules in the table. Rules with enable-checkbox checked will be enabled. Rules with enable-checkbox un-checked will be disabled.

The enable-checkbox also shows status of the rule after page reload.

If you disable WMM function in Wireless Page, classification related to wireless will not take effects

The QoS function has been disabled. Classification rules would not take effects.

CLASSIFICATION CRITERIA													CLASSIFICATION RESULTS					
Class Name	Order	Class Intf	Ether Type	SrcMAC/ Mask	DstMAC/ Mask	SrcIP/ PrefLen	DstIP/ PrefLen	Proto	SrcPort	DstPort	DSCP Check	802.1P Check	Queue Key	DSCP Mark	802.1P Mark	Rate Limit (kbps)	Enable	Remove
<input type="button" value="Add"/> <input type="button" value="Enable"/> <input type="button" value="Remove"/>																		

In this page, you can enable, add or remove a QoS classification rule. Click the **Add** button to display the following page.

Add Network Traffic Class Rule

This screen creates a traffic class rule to classify the ingress traffic into a priority queue and optionally mark the DSCP or Ethernet priority of the packet. Click 'Apply/Save' to save and activate the rule.

Traffic Class Name:

Rule Order:

Rule Status:

**Specify Classification Criteria** (A blank criterion indicates it is not used for classification.)

Class Interface:

Ether Type:

Source MAC Address:

Source MAC Mask:

Destination MAC Address:

Destination MAC Mask:

**Specify Classification Results** (A blank value indicates no operation.)

Specify Class Queue (Required):

- Packets classified into a queue that exit through an interface for which the queue is not specified to exist, will instead egress to the default queue on the interface.

Mark 802.1p priority:

- Class non-vlan packets egress to a non-vlan interface will be tagged with VID 0 and the class rule p-bits.  
- Class vlan packets egress to a non-vlan interface will have the packet p-bits re-marked by the class rule p-bits. No additional vlan tag is added.  
- Class non-vlan packets egress to a vlan interface will be tagged with the interface VID and the class rule p-bits.  
- Class vlan packets egress to a vlan interface will be additionally tagged with the packet VID, and the class rule p-bits.

Set Rate Limit:  [Kbits/s]

## 5.2.9 Routing

### Default Gateway

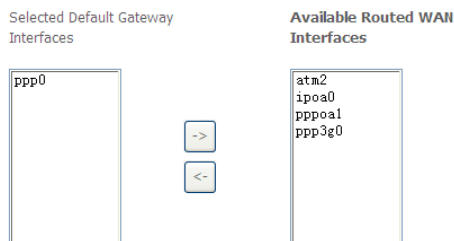
Choose **Advanced Setup > Routing > Default Gateway**, and the following page appears.

Routing -- Default Gateway

Default gateway interface list can have multiple WAN interfaces served as system default gateways but only one will be used according to the priority with the first being the highest and the last one the lowest priority if the WAN interface is connected. Priority order can be changed by removing all and adding them back in again.

Selected Default Gateway Interfaces

Available Routed WAN Interfaces



TODO: IPV6 \*\*\*\*\* Select a preferred wan interface as the system default IPv6 gateway.

Selected WAN Interface

Apply/Save

In this page, you can modify the default gateway settings. Select a proper WAN interface in the drop-down list of **Selected WAN Interface** as the system default gateway. After finishing setting, click **Apply/Save** to save and apply the settings.

**Static Route**

Choose **Advanced Setup > Routing > Static Route** and the following page appears.

Routing -- Static Route (A maximum 32 entries can be configured)

IP Version	DstIP/Mask	Gateway	Interface	Metric	Remove
------------	------------	---------	-----------	--------	--------

In this page, you can add or remove a static routing rule. Click the **Add** button to display the following page.

Routing -- Static Route Add

Enter the destination network address, subnet mask, gateway AND/OR available WAN interface then click 'Apply/Save' to add the entry to the routing table.

IP Version:

Destination IP address/prefix length:

Interface:

Gateway IP Address:

(optional: metric number should be greater than or equal to zero)

Metric:

- **IP Version:** Select the IP version.
- **Destination IP address/prefix length:** Enter the destination IP address.
- **Interface:** select the proper interface for the rule.
- **Gateway IP Address:** The next-hop IP address.
- **Metric:** The metric value of routing.

After finishing setting, click **Apply/Save** to save and apply the settings.

### Policy Routing

Choose **Advanced Setup > Routing > Policy Routing** and the following page appears.

**Policy Routing Setting -- A maximum 8 entries can be configured.**

Policy Name	Source IP	LAN Port	WAN	Default GW	Remove
-------------	-----------	----------	-----	------------	--------

In this page, you can add or remove a static policy rule.  
Click the **Add** button to display the following page.

**Policy Routing Setup**

Enter the policy name, policies, and WAN interface then click "Apply/Save" to add the entry to the policy routing table.  
Note: If selected "IPoE" as WAN interface, default gateway must be configured.

Policy Name:

Physical LAN Port:

Source IP:

Use Interface:

Default Gateway:

In this page, enter the policy name, source IP and default gateway, and select the physical LAN port and interface.  
After finishing setting, click **Apply/Save** to save and apply the settings.

**RIP**

Choose **Advanced Setup > Routing > RIP** and the following page appears.

Routing -- RIP Configuration

**NOTE: RIP CANNOT BE CONFIGURED on the WAN interface which has NAT enabled (such as PPPoE).**

To activate RIP for the WAN Interface, select the desired RIP version and operation and place a check in the 'Enabled' checkbox. To stop RIP on the WAN Interface, uncheck the 'Enabled' checkbox. Click the 'Apply/Save' button to star/stop RIP and save the configuration.

Interface	Version	Operation	Enabled
atm2	2	Passive	<input type="checkbox"/>
ipoa0	2	Passive	<input type="checkbox"/>
atm4	2	Passive	<input type="checkbox"/>

In this page, if you want to configure an individual interface, select the desired RIP version and operation, and then select the **Enabled** checkbox for the interface.  
After finishing setting, click **Apply/Save** to save and apply the settings.

## 5.2.10 DNS

### DNS Server

Choose **Advanced Setup > DNS > DNS Server** and the following page appears.

#### DNS Server Configuration

Select DNS Server Interface from available WAN interfaces OR enter static DNS server IP addresses for the system. In ATM mode, if only a single PVC with IPoA or static IPoE protocol is configured, Static DNS server IP addresses must be entered.

**DNS Server Interfaces** can have multiple WAN interfaces served as system dns servers but only one will be used according to the priority with the first being the highest and the last one the lowest priority if the WAN interface is connected. Priority order can be changed by removing all and adding them back in again.

**Select DNS Server Interface from available WAN interfaces:**

Selected DNS Server Interfaces	->	Available WAN Interfaces
ppp0.1	->	
	<-	

**Use the following Static DNS IP address:**

Primary DNS server:

Secondary DNS server:

Apply/Save

In this page, you can select a DNS server interface from the available interfaces, manually enter the DNS server addresses, or obtain the DNS address from a WAN interface.

After finishing setting, click **Apply/Save** to save and apply the settings.

### Dynamic DNS

Choose **Advanced Setup > DNS > Dynamic DNS** and the following page appears.

#### Dynamic DNS

The Dynamic DNS service allows you to alias a dynamic IP address to a static hostname in any of the many domains, allowing your Broadband Router to be more easily accessed from various locations on the Internet.

Choose Add or Remove to configure Dynamic DNS.

Hostname	Username	Service	Interface	Remove
----------	----------	---------	-----------	--------

Add Remove



In this page, you are allowed to modify the DDNS settings.  
Click the **Add** button to display the following page.

**Add Dynamic DNS**

This page allows you to add a Dynamic DNS address from DynDNS.org or TZO.

D-DNS provider	<input type="text" value="DynDNS.org"/>
Hostname	<input type="text"/>
Interface	<input type="text" value="pppoe_0_1_1/ppp0.1"/>
<b>DynDNS Settings</b>	
Username	<input type="text"/>
Password	<input type="text"/>
<input type="button" value="Apply/Save"/>	

- **D-DNS provider:** Select a proper DDNS server in the drop-down list.
- **Hostname:** It is the domain name and it can be modified.
- **Interface:** The interface that the packets pass through on the DSL router.
- **Username:** Enter the username for accessing the DDNS management interface.
- **Password:** Enter the password for accessing the DDNS management interface.

After finishing setting, click **Apply/Save** to save and apply the settings.

### 5.2.11 DSL

Choose **Advanced Setup > DSL** and the following page appears. In this page, you can view the DSL settings. Usually, you can keep this factory default setting. The modem negotiates the modulation mode with the DSLAM.

**DSL Settings**

Select the modulation below.

- G.Dmt Enabled
- G.lite Enabled
- T1.413 Enabled
- ADSL2 Enabled
- AnnexL Enabled
- ADSL2+ Enabled
- AnnexM Enabled

Select the phone line pair below.

- Inner pair
- Outer pair

Capability

- Bitswap Enable
- SRA Enable

In this page, you can set the DSL settings. Usually, you do not need to modify the factory default settings.

After finishing setting, click **Apply/Save** to save and apply the settings.

### 5.2.12 UPnP

Choose **Advanced Setup > UPnP** and the following page appears.

#### UPnP Configuration

**NOTE: UPnP is activated only when there is a live WAN service with NAT enabled.**

Enable UPnP

In this page, you can enable or disable the UPnP function.

After finishing setting, click **Apply/Save** to save and apply the settings.

### 5.2.13 DNS Proxy

Choose **Advanced Setup > DNS Proxy** and the following page appears.

#### DNS Proxy Configuration

Enable DNS Proxy

Host name of the Broadband Router:

Domain name of the LAN network:

In this page, you can enable or disable the DNS proxy function.

After enabling the DNS proxy function, enter the host name of the broadband router and the domain name of the LAN network, and then click **Apply/Save** to save and apply the settings.

### 5.2.14 Print Server

Choose **Advanced Setup > Printer Server** and the following page appears.

### Print Server settings

This page allows you to enable / disable printer support.

Enable on-board print server.

Apply/Save

In this page, you can enable or disable the printer server.  
After finishing setting, click **Apply/Save** to save and apply the settings.

### 5.2.15 Packet Acceleration

Choose **Advanced Setup > Packet Acceleration** and the following page appears.

In this page, you can enable packet flow accelerator.

#### Packet Acceleration

Enable Packet Flow Accelerator

Apply/Save

### 5.2.16 Storage Service

#### Storage Device Info

Choose **Advanced Setup > Storage Service > Storage Device Info** and the following page appears.

The Storage service allows you to use Storage devices with modem to be more easily accessed

Volumename	PhysicalMedium	FileSystem	Total Space	Used Space
------------	----------------	------------	-------------	------------

This page is used to display the information of the storage device that connects to the DSL router.

### 5.2.17 Interface Grouping

Choose **Advanced Setup > Interface Grouping** and the following page appears.

Interface Grouping -- A maximum 16 entries can be configured

Interface Grouping supports multiple ports to PVC and bridging groups. Each group will perform as an independent network. To support this feature, you must create mapping groups with appropriate LAN and WAN interfaces using the Add button. The Remove button will remove the grouping and add the ungrouped interfaces to the Default group. Only the default group has IP interface.

Group Name	Remove	WAN Interface	LAN Interfaces
Default		ppp0.1	eth0
			eth1
			eth2
			eth3
			wlan0
			wl0_Guest1
			wl0_Guest2
			wl0_Guest3

Interface grouping supports multiple ports to PVC and bridging groups. Each group will perform as an independent network. To support this feature, you must create mapping groups with the appropriate LAN and WAN interfaces using the **Add** button. The **Remove** button will remove the grouping and add the ungrouped interfaces to the default group. Only the default group has IP interface.

Click the **Add** button to display the following page.

Interface grouping Configuration

To create a new interface group:

1. Enter the Group name and the group name must be unique.
2. Select interfaces from the available interface list and add it to the grouped interface list using the arrow buttons to create the required mapping of the ports.
3. Click Save/Apply button to make the changes effective immediately.

Group Name:

WAN Interface used in the grouping

<b>Grouped LAN Interfaces</b>		<b>Available LAN Interfaces</b>
	<input type="button" value="-&gt;"/> <input type="button" value="-&lt;"/>	<pre>eth0 eth1 eth2 eth3 wlan0 wlan0_Guest1 wlan0_Guest2 wlan0_Guest3</pre>
<input type="button" value="Apply/Save"/>		

In this page, please follow the on-screen configuration steps to configure the parameters of the interface grouping. After finishing setting, click **Apply/Save** to save and apply the settings.

### 5.2.18 IP Tunnel

#### 5.2.18.1 IPv6 in IPv4

Choose **Advanced Setup > IP Tunnel > IPv6inIPv4** and the following page appears. The default value is IPv6 in IPv4 information.

IP Tunneling -- 6in4 Tunnel Configuration

Name	WAN	LAN	Dynamic	IPv4 Mask Length	6rd Prefix	Border Relay Address	Remove
------	-----	-----	---------	------------------	------------	----------------------	--------

Click **Add** and the following page appears. In this page, you can add a new tunnel.

**IP Tunneling -- 6in4 Tunnel Configuration**

Currently, only 6rd configuration is supported.

Tunnel Name:

Mechanism: 6RD

Associated WAN Interface:

Associated LAN Interface: LAN/br0

Manual  Automatic

IPv4 Mask Length:

6rd Prefix with Prefix Length:

Border Relay IPv4 Address:

**5.2.18.2 IPv4 in IPv6**

Choose **Advanced Setup > IP Tunnel > IPv4inIPv6** and the following page appears.

**IP Tunneling -- 4in6 Tunnel Configuration**

Name	WAN	LAN	Dynamic	Remote IPv6 Address	Remove
------	-----	-----	---------	---------------------	--------

Click **Add** and the following page appears. In this page, you can add a new tunnel of IPv4 in IPv6.

**IP Tunneling -- 4in6 Tunnel Configuration**

Currently, only DS-Lite configuration is supported.

Tunnel Name:

Mechanism:

Associated WAN Interface:

Associated LAN Interface:

Manual  Automatic

Remote IPv6 Address:

**5.2.19 IPSec**

Choose **Advanced Setup > IPSec** and the following page appears.

**IPSec Tunnel Mode Connections**

Add, remove or enable/disable IPSec tunnel connections from this page.

Connection Name	Remote Gateway	Local Addresses	Remote Addresses	Remove
111	10.10.10.10	192.168.1.0/255.255.255.0	192.168.2.0/255.255.255.0	<input type="checkbox"/>
222	20.20.20.20	192.168.1.2	192.168.3.0/255.255.255.0	<input type="checkbox"/>
333	30.30.30.30	192.168.1.0/255.255.255.0	192.168.6.1	<input type="checkbox"/>

In this page, you can add or remove the IPSec tunnel connections. Click the **Add** button to display the following page.



**IPSec Settings**

IPSec Connection Name	<input type="text" value="new connection"/>
Tunnel Mode	<input type="button" value="ESP"/>
Remote IPSec Gateway Address (IPv4 address in dotted decimal)	<input type="text" value="0.0.0.0"/>
Tunnel access from local IP addresses	<input type="button" value="Subnet"/>
IP Address for VPN	<input type="text" value="0.0.0.0"/>
IP Subnetmask	<input type="text" value="255.255.255.0"/>
Tunnel access from remote IP addresses	<input type="button" value="Subnet"/>
IP Address for VPN	<input type="text" value="0.0.0.0"/>
IP Subnetmask	<input type="text" value="255.255.255.0"/>
Key Exchange Method	<input type="button" value="Auto (IKE)"/>
Authentication Method	<input type="button" value="Pre-Shared Key"/>
Pre-Shared Key	<input type="text" value="key"/>
Perfect Forward Secrecy	<input type="button" value="Disable"/>
Advanced IKE Settings	<input type="button" value="Show Advanced Settings"/>
	<input type="button" value="Apply/Save"/>

In this page, set the parameters such as the IPSec connection name, tunnel mode, and remote IPSec gateway address.

If you need to configure the advanced settings of this IPSec tunnel connection, please click the **Show Advanced Settings** button to display the other parameters. After finishing setting, click **Apply/Save** to save and apply the settings.

## 5.2.20 Certificate

### Local

Choose **Advanced Setup > Certificate > local** and the following page appears.  
**Local Certificates**

Add, View or Remove certificates from this page. Local certificates are used by peers to verify your identity. Maximum 4 certificates can be stored.

**Notice:** Import and Remove Certificate need reboot the gateway

Name	In Use	Subject	Type	Action
------	--------	---------	------	--------

In this page, you can acquire the local certificate by creating a certificate request or importing a certificate. You may also create or remove a certificate.

- **Creating a New Certificate Request**

Click the **Create Certificate Request** button to display the following page.

Create new certificate request

To generate a certificate signing request you need to include Common Name, Organization Name, State/Province Name, and the 2-letter Country Code for the certificate.

Certificate Name:

Common Name:

Organization Name:

State/Province Name:

Country/Region Name:

In this page, please set the following parameters.

- **Certificate name:** Set the certificate name.
- **Common Name:** The common name is the "fully qualified domain name," (or FQDN) used for DNS lookups of your server (for example, www.mydomain.com). Browsers use this information to identify your Web site. Some browsers will refuse to establish a secure connection with your site if the server name does not match the common name in the certificate. Please do not include the protocol symbol "http://" or any port numbers or

pathnames in the common name. Do not use wildcard characters such as \* or ?, and do not use an IP address.

- **Organization Name:** The name of the organization to which the entity belongs (such as the name of a company).
- **State/Province Name:** This is the name of the state or province where your organization's head office is located. Please enter the full name of the state or province.
- **Country/Region Name:** This is the two-letter ISO abbreviation for your country (for example, GB for the United Kingdom).

After finishing setting, click the **Apply** button to apply the settings.

**Certificate signing request**

Certificate signing request successfully created. Note a request is not yet functional - have it signed by a Certificate Authority and load the signed certificate to this device.

Name	test
Type	request
Subject	CN=test/O=test/ST=guangdong/C=CN
Signing Request	<pre>-----BEGIN CERTIFICATE REQUEST----- MIIBfjCBGAIBADA/MQ0wCwYDQEQEwROZKNOMQ0wCwYDQEQEwROZKNOMRIwEAYD WQqIEw1ndwFuZ2RvbmcxCzAJBgNVBAYTAkNOMIGfMA0GCSqgSIb3DQEBAQUAA4GN ADCBiQKBgqClNyqBx3gtIp16ufx+Rn00WH2Q67+fy36IUhbSEG1RnkdeMnaUNob4 isL66+zxP+Gu+gEs+pgQ4AoXjvY4k0ZskhKJID6r4LzvIhn1fB4nNKz0H+nQkUT IRGj#6DIef#XSRemVshjF7CZtovHICu5/XhUKfPGvrtP7tKnUIdNwIDAQABoAAw DQYJKoZIhvcNAQEBQADgYEAAL9VxsV12XLDPTNxa1E6qi1SVRqgZL/Giir67BZ+6 bK2V1eug01GfQvkzrNEq#04DcAb+qk12Jp6KqotucVYRHfVHf//naGM51pxH8wN YLw9+2L+DYCaSN6P4b3Gfa6qvfo6xqiRmq#31XoFW1u11dhw9#aUbs13jDZj7xUf QFk= -----END CERTIFICATE REQUEST-----</pre>

Back Load Signed Certificate

The certificate request needs to be submitted to a certificate authority, which will sign the request. Then the signed certificate needs to be loaded to the DSL router. Click **Load Signed Certificate** in this page, and the following page appears.

Load certificate

Paste signed certificate.

Certificate Name:

Certificate: 

```
-----BEGIN CERTIFICATE-----  
<insert certificate here>  
-----END CERTIFICATE-----
```

In this page, paste the signed certificate, and then click the **Apply** button. A new certificate is created.

- **Importing an Existing Local Certificate**

To import an existing certificate, click the **Import Certificate** button to display the following page.

Import certificate

Enter certificate name, paste certificate content and private key.

Certificate Name:

-----BEGIN CERTIFICATE-----  
<insert certificate here>  
-----END CERTIFICATE-----

Certificate:

-----BEGIN RSA PRIVATE KEY-----  
<insert private key here>  
-----END RSA PRIVATE KEY-----

Private Key:

Apply

In this page, paste the certificate and the private key. Finally, click the **Apply** button to import the certificate.

**Trusted CA**

Choose **Advanced Setup > Certificate > Trusted CA** and the following page appears.

## Trusted CA (Certificate Authority) Certificates

Add, View or Remove certificates from this page. CA certificates are used by you to verify peers' certificates. Maximum 4 certificates can be stored.

**Notice:** Import and Remove Certificate need reboot the gateway

Name	Subject	Type	Action
acscert	O=Grupo Telefonica/O=TME/ST=A78923125/L=PZ. DE LA INDEPENDENCIA 6 28001 MADRID/CN=CA Telefonica Moviles Espana SA	ca	<input type="button" value="View"/> <input type="button" value="Remove"/>

In this page, you may import or remove a CA certificate.

Click the **Import Certificate** button to display the following page.

Import CA certificate

Enter certificate name and paste certificate content.

**Notice:** If certificate use for tr069, the Certificate Name must be "acscert"

Certificate Name:

<input type="text"/>
<pre>-----BEGIN CERTIFICATE----- &lt;insert certificate here&gt; -----END CERTIFICATE-----</pre>
Certificate:
<input type="text"/>

In this page, enter the certificate name and paste the certificate content. Finally, click the **Apply** button to import the certificate.

## 5.2.21 Power Management

Choose **Advanced Setup > Power Management** and the following page appears.

This page allows control of Hardware modules to evaluate power consumption.

Use the control buttons to select the desired option.

## Power Management

This page allows control of Hardware modules to evaluate power consumption. Use the control buttons to select the desired option, click Apply and check the status response.

---

### MIPS CPU Clock divider when Idle

Enable    Status: **Enabled**

---

### Wait instruction when Idle

Enable    Status: **Enabled**

---

### DRAM Self Refresh

Enable    Status: **Enabled**

---

### Ethernet Auto Power Down

Enable    Status: **Enabled**

Number of ethernet interfaces in:

Full power mode: 1

Low power mode: 4

After proper configurations, click **Apply** to take the configurations effect.

## 5.2.22 Multicast

Choose **Advanced Setup > Multicast** and the following page appears.

**IGMP Configuration**

Enter IGMP protocol configuration fields if you want modify default values shown below.

Default Version:	<input type="text" value="3"/>
Query Interval (s):	<input type="text" value="125"/>
Query Response Interval (1/10s):	<input type="text" value="100"/>
Last Member Query Interval (1/10s):	<input type="text" value="10"/>
Robustness Value:	<input type="text" value="2"/>
Maximum Multicast Data Sources (for IGMPv3):	<input type="text" value="10"/>
Fast Leave Enable:	<input checked="" type="checkbox"/>
Membership Join Immediate (IPTV):	<input type="checkbox"/>

**MLD Configuration**

Enter MLD protocol (IPv6 Multicast) configuration fields if you want modify default values shown below.

Default Version:	<input type="text" value="2"/>
Query Interval (s):	<input type="text" value="125"/>
Query Response Interval (1/10s):	<input type="text" value="100"/>
Last Member Query Interval (1/10s):	<input type="text" value="10"/>
Robustness Value:	<input type="text" value="2"/>
Maximum Multicast Data Sources (for mldv2):	<input type="text" value="10"/>
Fast Leave Enable:	<input checked="" type="checkbox"/>

In this page, you can configure the multicast parameters.  
After finishing setting, click **Apply/Save** to save and apply the settings.

### 5.3 Wireless

Choose **Wireless** and the submenus of **Wireless** are shown as below:



- Wireless
  - Basic
  - Security
  - MAC Filter
  - Wireless Bridge
  - Advanced
  - Station Info

### 5.3.1 Basic Settings

Choose **Wireless > Basic** to display the following page. In this page, the figure in the right area is 2-dimensional code. It includes the wireless SSID and password.

You can obtain the wireless SSID and password through scanning this figure.

Wireless -- Basic

This page allows you to configure basic features of the wireless LAN interface. You can enable or disable the wireless LAN interface, hide the network from active scans, set the wireless network name (also known as SSID) and restrict the channel set based on country requirements. Click 'Apply/Save' to configure the basic wireless options.

- Enable Wireless
- Hide Access Point
- Clients Isolation
- Disable WMM Advertise
- Enable Wireless Multicast Forwarding (WMF)



SSID:

BSSID:

Country:

Max Clients:

Wireless - Guest/Virtual Access Points:

Enabled	SSID	Hidden	Isolate Clients	Enable WMM Advertise	Enable WMF	Max Clients	BSSID
<input type="checkbox"/>	<input type="text" value="WLAN_Guest1"/>	<input type="checkbox"/>	<input type="checkbox"/>	<input type="checkbox"/>	<input type="checkbox"/>	<input type="text" value="16"/>	N/A
<input type="checkbox"/>	<input type="text" value="WLAN_Guest2"/>	<input type="checkbox"/>	<input type="checkbox"/>	<input type="checkbox"/>	<input type="checkbox"/>	<input type="text" value="16"/>	N/A
<input type="checkbox"/>	<input type="text" value="WLAN_Guest3"/>	<input type="checkbox"/>	<input type="checkbox"/>	<input type="checkbox"/>	<input type="checkbox"/>	<input type="text" value="16"/>	N/A

This page allows you to configure the basic features of the wireless LAN interface.

- **Enable Wireless:** Enable or disable the wireless function.
- **Hide Access Point:** if you want to hide any access point for your router, select this option, and then a station cannot obtain the SSID through the passive scanning.
- **Clients Isolation:** When many clients connect to the same access point, they can access each other. If you want to disable the access between the clients that connect to the same access point, you can select this option.
- **Disable WMM Advertise:** After enabling this option, the transmission performance multimedia of the voice and video data can be improved.
- **Enable Wireless Multicast Forwarding (WMF):** After enabling this option, the transmission quality of video service such as IPTV can be improved.
- **SSID:** For the security reason, you should change the default SSID to a unique name.
- **BSSID:** Display the MAC address of the wireless interface.
- **Country:** The name of the country with which your gateway is configured. This parameter further specifies your wireless connection. For example, The channel will adjust according to nations to adapt to each nation's frequency provision.
- **Max Clients:** Specify the maximum wireless client stations to be enabled to link with AP. Once the clients exceed the max vlaue, all other clients are refused. The value of maximum clients is 16.
- **Wireless - Guest/Virtual Access Points:** If you want to make Guest/Virtual network function be available, you have to check those boxes in the table below. In the current software version, three virtual access points can be configured.

After finishing setting, click **Apply/Save** to save the basic wireless settings and make the settings take effect.

### 5.3.2 Security

Choose **Wireless > Security** to display the following page.

Wireless -- Security

This page allows you to configure security features of the wireless LAN interface.  
You may setup configuration manually

OR  
through WiFi Protected Setup(WPS)

Note: When both STA PIN and Authorized MAC are empty, PBC is used. If Hide Access Point enabled or Mac filter list is empty with "allow" chosen, WPS2 will be disabled

WPS Setup

Enable WPS

Add Client (This feature is available only when WPA-PSK(WPS1), WPA2 PSK or OPEN mode is configured)

Push-Button  Enter STA PIN  Use AP PIN

Set WPS AP Mode

Setup AP (Configure all security settings with an external registrar)

Device PIN  [Help](#)

Manual Setup AP

You can set the network authentication method, selecting data encryption, specify whether a network key is required to authenticate to this wireless network and specify the encryption strength. Click 'Apply/Save' when done.

Select SSID:

Network Authentication:

WEP Encryption:

This page allows you to configure the security features of the wireless LAN interface. In this page, you can configure the network security settings by the Wi-Fi Protected Setup (WPS) method or setting the network authentication mode.

- **WPS Setup**

**WPS Setup**

Enable **WPS**  ▾

Add **Client** (This feature is available only when WPA-PSK(WPS1), WPA2 PSK or OPEN mode is configured)

Push-Button  Enter STA PIN  Use AP PIN

Set **WPS AP Mode**  ▾

Setup **AP** (Configure all security settings with an external registrar)

Device **PIN**  [Help](#)

There are 2 primary methods used in the Wi-Fi Protected Setup:

- PIN entry, a mandatory method of setup for all WPS certified devices.
  - **Enter STA PIN:** If you select it, you need to enter the station PIN from client.
  - **Use AP PIN:** The PIN is generated by AP.
- Push button configuration (PBC), an actual push button on the hardware or through a simulated push button in the software. (This is an optional method on wireless client).

If you are using the PIN method, you will need a Registrar (access point/wireless router) to initiate the registration between a new device and an active access point/wireless router. **(Note: The PBC method may also need a Registrar when used in a special case where the PIN is all zeros)**

In order to use the push-button for WPS authentication, you must ensure that the network card support the function. if it supports, you need not to do any configuration. You can press the WPS button directly to enable the WPS function.

- **Manual Setup AP**

This page provides 9 types of network authentication modes, including Open, Shared, 802.1X, WPA, WPA-PSK, WPA2, WPA2-PSK, Mixed WPA2/WPA, and Mixed WPA2/WPA-PSK.

Manual Setup AP

You can set the network authentication method, selecting data encryption, specify whether a network key is required to authenticate to this wireless network and specify the encryption strength. Click 'Apply/Save' when done.

Select SSID: WLAN\_0001

Network Authentication: Open

WEP Encryption:

- Open
- Shared
- 802.1X
- WPA
- WPA-PSK
- WPA2
- WPA2 -PSK
- Mixed WPA2/WPA
- Mixed WPA2/WPA -PSK

- Open Mode

Network Authentication: Open

WEP Encryption: Enabled

Encryption Strength: 64-bit

Current Network Key:

Network Key 1: 0987654321

Network Key 2: 0987654321

Network Key 3: 0987654321

Network Key 4: 0987654321

Enter 13 ASCII characters or 26 hexadecimal digits for 128-bit encryption keys  
Enter 5 ASCII characters or 10 hexadecimal digits for 64-bit encryption keys

Apply/Save

- **Select SSID:** Select a SSID for configuring the security settings.
- **Network Authentication:** Select the Open mode.
- **WEP Encryption:** Enable or disable WEP encryption. After enabling this function, you can set the encryption strength, current network key, and network keys.
- **Encryption Strength:** You can set 64-bit or 128-bit key.
- **Current Network Key:** The current key that you use.
- **Network Key1/2/3/4:** Set the network key. If it is 128-bit key, you need to enter 13 ASCII characters or 26 hexadecimal digits. For the 64-bit key, you need to enter 5 ASCII characters or 10 hexadecimal digits.

- Shared Mode

Network Authentication:

WEP Encryption:

Encryption Strength:

Current Network Key:

Network Key 1:

Network Key 2:

Network Key 3:

Network Key 4:

Enter 13 ASCII characters or 26 hexadecimal digits for 128-bit encryption keys  
Enter 5 ASCII characters or 10 hexadecimal digits for 64-bit encryption keys

The parameters' description of shared mode, please refer to the **Open Mode**.

- 802.1x

Network Authentication:

RADIUS Server IP Address:

RADIUS Port:

RADIUS Key:

WEP Encryption:

Encryption Strength:

Current Network Key:

Network Key 1:

Network Key 2:

Network Key 3:

Network Key 4:

Enter 13 ASCII characters or 26 hexadecimal digits for 128-bit encryption keys  
Enter 5 ASCII characters or 10 hexadecimal digits for 64-bit encryption keys

- **Select SSID:** Select a SSID for configuring the security settings.
- **Network Authentication:** Select the 802.1X in the drop-down list.

- **RADIUS Server IP Address:** Enter the IP address of the RADIUS server. RADIUS server is used to authenticate the hosts on the wireless network.
- **RADIUS Port:** The port number that the RADIUS server uses. The default port number is 1812. You may change it according to the server setting.
- **RADIUS Key:** Set the RADIUS key for accessing the RADIUS server.
- **WEP Encryption:** You can only select **Enabled**.
- **Encryption Strength:** You can set 64-bit or 128-bit key.
- **Current Network Key:** The current key that you use.
- **Network Key1/2/3/4:** Set the network key. If it is 128-bit key, you need to enter 13 ASCII characters or 26 hexadecimal digits. For the 64-bit key, you need to enter 5 ASCII characters or 10 hexadecimal digits.

- WPA Mode

Network Authentication:	<input type="text" value="WPA"/>
WPA Group Rekey Interval:	<input type="text" value="0"/>
RADIUS Server IP Address:	<input type="text" value="0.0.0.0"/>
RADIUS Port:	<input type="text" value="1812"/>
RADIUS Key:	<input type="text"/>
WPA/WAPI Encryption:	<input type="text" value="TKIP+AES"/>
WEP Encryption:	<input type="text" value="Disabled"/>

- **Select SSID:** Select a SSID for configuring the security settings.
- **Network Authentication:** Select the WPA-PSK mode.
- **WPA Group Rekey Interval:** Setting the interval for renewing key.
- **RADIUS Server IP Address:** Enter the IP address of the RADIUS server. RADIUS server is used to authenticate the hosts on the wireless network.
- **RADIUS Port:** The port number that the RADIUS server uses. The default port number is 1812. You may change it according to the server setting.
- **RADIUS Key:** Set the RADIUS key for accessing the RADIUS server.
- **WPA/WAPI Encryption:** You may select AES, or TKIP+AES.

- WPA-PSK Mode

Network Authentication:

WPA/WAPI passphrase:  [Click here to display](#)

WPA Group Rekey Interval:

WPA/WAPI Encryption:

WEP Encryption:

- **Select SSID:** Select a SSID for configuring the security settings.
- **Network Authentication:** Select the WPA-PSK mode.
- **WPA/WAPI passphrase:** The key for WPA encryption. Click the **Click here to display** button to display the current key. The default key is 87654321.
- **WPA Group Rekey Interval:** Setting the interval for renewing key.
- **WPA/WAPI Encryption:** You may select AES, or TKIP+AES.

- WPA2 Mode

Network Authentication:

WPA2 Preauthentication:

Network Re-auth Interval:

WPA Group Rekey Interval:

RADIUS Server IP Address:

RADIUS Port:

RADIUS Key:

WPA/WAPI Encryption:

WEP Encryption:

- **Select SSID:** Select a SSID for configuring the security settings.
- **Network Authentication:** Select the WPA2 mode.



- **WPA2 Preauthentication:** Enable or disable pre-authentication.
- **Network Re-auth Interval:** Set the network re-auth interval.
- **WPA Group Rekey Interval:** Setting the interval for renewing key.
- **RADIUS Server IP Address:** Enter the IP address of the RADIUS server. RADIUS server is used to authenticate the hosts on the wireless network.
- **RADIUS Port:** The port number that the RADIUS server uses. The default port number is 1812. You may change it according to the server setting.
- **RADIUS Key:** Set the RADIUS key for accessing the RADIUS server.
- **WPA/WAPI Encryption:** You may select AES, or TKIP+AES.

- WPA2-PSK

Network Authentication:

WPA/WAPI passphrase:  [Click here to display](#)

WPA Group Rekey Interval:

WPA/WAPI Encryption:

WEP Encryption:

The parameters' description of WPA2-PSK mode, please refer to the **WPA-PSK mode**.

- Mixed WPA2/WPA

Network Authentication:

WPA2 Preauthentication:

Network Re-auth Interval:

WPA Group Rekey Interval:

RADIUS Server IP Address:

RADIUS Port:

RADIUS Key:

WPA/WAPI Encryption:

WEP Encryption:

The parameters' description of Mixed WPA2/WPA mode, please refer to the **WPA2 mode**.

- Mixed WPA2/WPA-PSK

Network Authentication:

WPA/WAPI passphrase:  [Click here to display](#)

WPA Group Rekey Interval:

WPA/WAPI Encryption:

WEP Encryption:

Apply/Save

The parameters' description of Mixed WPA2/WPA-PSK mode, please refer to the **WPA-PSK mode**.

### 5.3.3 MAC Filter

Choose **Wireless > MAC Filter** to display the following page.

#### Wireless -- MAC Filter

Select SSID:

MAC Restrict Mode:  Disabled  Allow  Deny

MAC Address	Remove
-------------	--------

This page is used to allow or reject the wireless clients to access the wireless network of the wireless router.

In this page, you can add or remove the MAC filters.

The MAC restrict modes include **Disabled**, **Allow**, and **Deny**.

- **Disabled:** Disable the wireless MAC address filtering function.
- **Allow:** Allow the wireless clients with the MAC addresses in the **MAC Address** list to access the wireless network of the wireless router.
- **Deny:** Reject the wireless clients with the MAC addresses in the **MAC Address** list to access the wireless network of the wireless router.

Click the **Add** button to display the following page.

Wireless -- MAC Filter

Enter the MAC address and click 'Apply/Save' to add the MAC address to the wireless MAC address filters.

MAC Address:

Apply/Save

In this page, enter the MAC address of the wireless client, and then click the **Apply/Save** button to add the MAC address to the MAC address list.

### 5.3.4 Wireless Bridge

Choose **Wireless > Wireless Bridge** to display the following page.

Wireless -- Bridge

This page allows you to configure wireless bridge features of the wireless LAN interface. You can select Wireless Bridge (also known as Wireless Distribution System) to disable access point functionality. Selecting Access Point enables access point functionality. Wireless bridge functionality will still be available and wireless stations will be able to associate to the AP. Select Disabled in Bridge Restrict which disables wireless bridge restriction. Any wireless bridge will be granted access. Selecting Enabled or Enabled(Scan) enables wireless bridge restriction. Only those bridges selected in Remote Bridges will be granted access. Click "Refresh" to update the remote bridges. Wait for few seconds to update. Click "Apply/Save" to configure the wireless bridge options.

AP Mode:

Bridge Restrict:

Remote Bridges MAC Address:

Refresh Apply/Save

This page allows you to configure the wireless bridge features of the wireless LAN interface.

- **AP mode:** you may select Access Point or Wireless Bridge.
  - **Bridge Restrict:** Enable or disable the bridge restrict function.
  - **Remote Bridges MAC Address:** Enter the remote bridge MAC address.
- After finishing setting, click the **Apply/Save** button to save and apply the settings.

### 5.3.5 Advanced Settings

Choose **Wireless > Advanced** to display the following page. This page allows you to configure the advanced features of the wireless LAN interface. Usually, you do not need to change the settings in this page.

#### Wireless -- Advanced

This page allows you to configure advanced features of the wireless LAN interface. You can select a particular channel on which to operate, force the transmission rate to a particular speed, set the fragmentation threshold, set the RTS threshold, set the wakeup interval for clients in power-save mode, set the beacon interval for the access point, set XPress mode and set whether short or long preambles are used.

Click 'Apply/Save' to configure the advanced wireless options.

Band:	2.4GHz	
Channel:	Auto	Current: 1 (interference: acceptable)
Auto Channel Timer(min)	0	
802.11n/EWC:	Auto	
Bandwidth:	40MHz in Both Bands	Current: 40MHz
Control Sideband:	Lower	Current: Lower
802.11n Rate:	Auto	
802.11n Protection:	Auto	
Support 802.11n Client Only:	Off	
RIFS Advertisement:	Off	
OBSS Co-Existence:	Disable	
RX Chain Power Save:	Disable	Power Save status: Full Power
RX Chain Power Save Quiet Time:	10	
RX Chain Power Save PPS:	10	
54g Rate:	1 Mbps	
Multicast Rate:	Auto	
Basic Rate:	Default	
Fragmentation Threshold:	2346	
RTS Threshold:	2347	
DTIM Interval:	1	
Beacon Interval:	100	
Global Max Clients:	16	
XPress Technology:	Enable	
Transmit Power:	100%	
WMM(Wi-Fi Multimedia):	Enabled	
WMM No Acknowledgement:	Disabled	
WMM APSD:	Enabled	

- **Band:** You can select 2.4GHz or 5GHz.
- **Channel:** Fill in the appropriate channel to correspond with your network settings. All devices in your wireless network must use the same channel in order to work correctly. This router supports auto channeling functionality.
- **Auto Channel Timer(min):** Specifies the timer of auto channelling.
- **802.11n/EWC:** Select **disable** 802.11n or **Auto**.
- **Bandwidth:** Select the bandwidth for the network. You can select **20MHz in Both Bands**, **20MHz in 2.4G Band and 40MHz in 5G Band**, or **40MHz in Both Bands**.
- **Control Sideband:** If you select **20MHz in Both Bands** or **20MHz in 2.4G Band and 40MHz in 5G Band**, the service of control sideband does not work. When you select **40MHz in Both Bands** as the bandwidth, the following page appears. Then you can select **Lower** or **Upper** as the value of sideband. As the control sideband, when you select **Lower**, the channel is 1~7. When you select **Upper**, the channel is 5~11.

Channel:	<input type="text" value="1"/>	Current: 1
Auto Channel Timer(min)	<input type="text" value="0"/>	
802.11n/EWC:	<input type="text" value="Auto"/>	
Bandwidth:	<input type="text" value="40MHz in Both Bands"/>	Current: 20MHz
Control Sideband:	<input type="text" value="Lower"/>	Current: None
802.11n Rate:	<input type="text" value="Lower"/>	
802.11n Protection:	<input type="text" value="Auto"/>	

- **802.11n Rate:** Select the transmission rate for the network. The rate of data transmission should be set depending on the speed of your wireless network. You can select from a range of transmission speeds, or you can select **Auto** to have the Router automatically use the fastest possible data rate and enable the Auto-Fallback feature. Auto-Fallback will negotiate the best possible connection speed between the Router and a wireless client. The default value is **Auto**.
- **802.11n Protection:** The 802.11n standards provide a protection method so 802.11b/g and 802.11n devices can co-exist in the same network without "speaking" at the same time.
- **Support 802.11n Client Only:** Only stations that are configured in 802.11n mode can associate.
- **Multicast Rate:** Select the multicast transmission rate for the network. The rate of data transmission should be set depending on the speed of your wireless network. You can select from a range of transmission speeds, or you can select **Auto** to have the Router automatically use the fastest possible data rate and enable the Auto-Fallback feature. Auto-Fallback will negotiate the best possible connection speed between the Router and a wireless client. The default value is **Auto**.
- **Basic Rate:** Select the basic transmission rate ability for the AP.

- **Fragmentation Threshold:** Packets that are larger than this threshold are fragmented into multiple packets. Try to increase the fragmentation threshold if you encounter high packet error rates. Do not set the threshold too low, since this can result in reduced networking performance.
- **RTS Threshold:** This value should remain at its default setting of 2347. Should you encounter inconsistent data flow, only minor reductions are recommended. Should you encounter inconsistent data flow, only minor reduction of the default value, 2347, is recommended. If a network packet is smaller than the preset RTS threshold size, the RTS/CTS mechanism will not be enabled. The Router sends Request to Send (RTS) frames to a particular receiving station and negotiates the sending of a data frame. After receiving an RTS, the wireless station responds with a Clear to Send (CTS) frame to acknowledge the right to begin transmission. The RTS Threshold value should remain at its default value of 2347.
- **DTIM Interval:** (Delivery Traffic Indication Message) Enter a value between 1 and 255 for the Delivery Traffic Indication Message (DTIM.) A DTIM is a countdown informing clients of the next window for listening to broadcast and multicast messages.
- **Beacon Interval:** A beacon is a packet of information that is sent from a connected device to all other devices where it announces its availability and readiness. A beacon interval is a period of time (sent with the beacon) before sending the beacon again. The beacon interval may be adjusted in milliseconds (ms). Default (100) is recommended.
- **XPress Technology:** Select Enable or Disable. This is a special accelerating technology for IEEE802.11g. The default is Disabled.
- **Transmit Power:** Adjust the transmission range here. This tool can be helpful for security purposes if you wish to limit the transmission range.
- **WMM (Wi-Fi Multimedia):** Select whether WMM is enable or disabled. Before you disable WMM, you should understand that all QoS queues or traffic classes relate to wireless do not take effects.
- **WMM No Acknowledgement:** Select whether ACK in WMM packet. By default, the 'Ack Policy' for each access category is set to Disable, meaning that an acknowledge packet is returned for every packet received. This provides a more reliable transmission but increases traffic load, which decreases performance. To disable the acknowledgement can be useful for Voice, for example, where speed of transmission is important and packet loss is tolerable to a certain degree.
- **WMM APSD:** APSD is short for automatic power save delivery, Selecting enable will make it has very low power consumption. WMM Power Save is an improvement to the 802.11e amendment adding advanced power management functionality to WMM.

Click **Apply/Save** to configure the advanced wireless options and make the changes take effect.

**Note:**

The advanced wireless setting is only for the advanced user. For the common user, do not change any settings in this page.

### 5.3.6 Station Info

Choose **Wireless > Station Info** to display the following page.

**Wireless -- Authenticated Stations**

This page shows authenticated wireless stations and their status.

MAC	Associated	Authorized	SSID	Interface
(null)			WLAN_28EE	wl0

Refresh

This page shows the authenticated wireless stations and their status.

## 5.4 Diagnostics

### 5.4.1 Diagnostics

Click **Diagnostics > Diagnostics**, and the following page appears.

This page is used to test the connection to your local network, the connection to your DSL service provider, and the connection to your Internet service provider.

You may diagnose the connection by clicking the **Test** button or click the **Test With OAM F4** button. If the test continues to fail, click **Help** and follow the troubleshooting procedures.

Your modem is capable of testing your DSL connection. The individual tests are listed below. If a test displays a fail status, click "Rerun Diagnostic Tests" at the bottom of this page to make sure the fail status is consistent. If the test continues to fail, click "Help" and follow the troubleshooting procedures.

Test the connection to your local network

Test your eth0 Connection:	FAIL	<a href="#">Help</a>
Test your eth1 Connection:	FAIL	<a href="#">Help</a>
Test your eth2 Connection:	FAIL	<a href="#">Help</a>
Test your eth3 Connection:	PASS	<a href="#">Help</a>
Test your USB Connection:		<a href="#">Help</a>
Test your Wireless Connection:	PASSFAILFAILFAIL	<a href="#">Help</a>

Test the connection to your DSL service provider

Test xDSL Synchronization:	FAIL	<a href="#">Help</a>
Test ATM OAM F5 segment ping:	DISABLED	<a href="#">Help</a>
Test ATM OAM F5 end-to-end ping:	DISABLED	<a href="#">Help</a>

Test the connection to your Internet service provider

Test PPP server connection:	DISABLED	<a href="#">Help</a>
Test authentication with ISP:	DISABLED	<a href="#">Help</a>
Test the assigned IP address:	DISABLED	<a href="#">Help</a>
Ping default gateway:	FAIL	<a href="#">Help</a>
Ping primary Domain Name Server:	FAIL	<a href="#">Help</a>

## 5.5 Management

Choose **Management** and the submenus of **Management** are shown as below:



- Management
- Settings
- System Log
- SNMP Agent
- TR-069 Client
- Internet Time
- Access Control
- Update Software
- Reboot

### 5.5.1 Settings

#### Backup

Choose **Management > Settings > Backup** to display the following page.

Settings - Backup

Backup Broadband Router configurations. You may save your router configurations to a file on your PC.

Backup Settings

In this page, click the **Backup Settings** button to save your router's settings to your local PC.

#### Update

Choose **Management > Settings > Update**, and the following page appears.

Tools -- Update Settings

Update Broadband Router settings. You may update your router settings using your saved files.

Settings File Name:

Update Settings

In this page, click the **Browse...** button to select the correct new settings file, and then click the **Update Settings** button to update the router's settings.

## Restore Default

Choose **Management > Settings > Restore Default** to display the following page.

Tools -- Restore Default Settings

Restore Broadband Router settings to the factory defaults.

Restore Default Settings

In this page, click the **Restore default settings** button, and then system returns to the default settings.

## 5.5.2 System Log

Choose **Management > System Log** to display the following page.

System Log

The System Log dialog allows you to view the System Log and configure the System Log options.

Click 'View System Log' to view the System Log.

Click 'Configure System Log' to configure the System Log options.

View System Log

Configure System Log

In this page, you are allowed to configure the system log and view the security log.

- **Configuring the System Log**

Click the **Configure System Log** button to display the following page.

System Log -- Configuration

If the log mode is enabled, the system will begin to log all the selected events. For the Log Level, all events above or equal to the selected level will be logged. For the Display Level, all logged events above or equal to the selected level will be displayed. If the selected mode is 'Remote' or 'Both,' events will be sent to the specified IP address and UDP port of the remote syslog server. If the selected mode is 'Local' or 'Both,' events will be recorded in the local memory.

Select the desired values and click 'Apply/Save' to configure the system log options.

Log:  Disable  Enable

Log Level:

Display Level:

Mode:

Local  
Remote  
Both

Apply/Save

In this page, you can set 3 types of system log modes, including **Local**, **Remote**, and **Both**.

- **Local:** When selecting **Local**, the events are recorded in the local memory.
- **Remote:** When selecting **Remote**, the events are sent to the specified IP address and UDP port of the remote system log server.
- **Both:** When selecting **Both**, the events are recorded in the local memory or sent to the specified IP address and UDP port of the remote system log server.

After finishing setting, click the **Apply/Save** button to save and apply the settings.

**Note:**

*If you want to log all the events, you need to select the **Debugging** log level.*

- **View System Log**

Click the **View System Log** button to display the following page.

### System Log

Date/Time	Facility	Severity	Message
-----------	----------	----------	---------



In this page, you can view the system log.

Click the **Refresh** button to refresh the system log. Click the **Close** button to exit.

### 5.5.3 SNMP Agent

Choose **Management > SNMP Agent**, and the following page appears.

**SNMP - Configuration**

Simple Network Management Protocol (SNMP) allows a management application to retrieve statistics and status from the SNMP agent in this device.

Select the desired values and click 'Apply' to configure the SNMP options.

SNMP Agent  Disable  Enable

Read Community:	<input type="text" value="public"/>
Set Community:	<input type="text" value="private"/>
System Name:	<input type="text" value="Broadcom"/>
System Location:	<input type="text" value="unknown"/>
System Contact:	<input type="text" value="unknown"/>
Trap Manager IP:	<input type="text" value="0.0.0.0"/>

Simple Network Management Protocol (SNMP) allows a management application to retrieve statistics and status from the SNMP agent in this device.

In this page, you may enable or disable the SNMP agent and set the parameters such as the read community, system name and trap manager IP.

After finishing setting, click the **Save/Apply** button to save and apply the settings.

**5.5.4 TR-69 Client**

Choose **Management > TR-069Client** to display the following page.

TR-069 client - Configuration

WAN Management Protocol (TR-069) allows a Auto-Configuration Server (ACS) to perform auto-configuration, provision, collection, and diagnostics to this device.

Select the desired values and click 'Apply/Save' to configure the TR-069 client options.

Inform  Disable  Enable

Inform Interval:

ACS URL:

ACS User Name:

ACS Password:

WAN Interface used by TR-069 client:

Display SOAP messages on serial console  Disable  Enable

Connection Request Authentication

Connection Request User Name:

Connection Request Password:

Connection Request Port:

Connection Request URL:

WAN Management Protocol (TR-069) allows an Auto-Configuration Server (ACS) to perform auto-configuration, provision, collection, and diagnostics to this device. In this page, you may configure the parameters such as the ACS URL, ACS password, and connection request user name. After finishing setting, click the **Apply/Save** button to save and apply the settings.

### 5.5.5 Internet Time

Choose **Management > Internet Time** to display the following page.

**Time settings**

This page allows you to the modem's time configuration.

Automatically synchronize with Internet time servers

Apply/Save

In this page, you may configure the router to synchronize its time with the Internet time servers.

After enabling **Automatically synchronize with Internet time servers**, the following page appears.

**Time settings**

This page allows you to the modem's time configuration.

Automatically synchronize with Internet time servers

First NTP time server:	time.nist.gov	▼	
Second NTP time server:	ntp1.tummy.com	▼	
Third NTP time server:	None	▼	
Fourth NTP time server:	None	▼	
Fifth NTP time server:	None	▼	

Current Router Time:	Sat Nov 19 04:32:34 2011
Time zone offset:	(GMT-08:00) Tijuana, Baja California ▼

Apply/Save

In this page, set the proper time servers, and then click the **Apply/Save** button to save and apply the settings.

### 5.5.6 Access Control

#### Passwords

Choose **Management > Access Control > Passwords**, and the following page appears.

##### Access Control -- Passwords

Access to your DSL router is controlled through three user accounts:admin,support and user .

The user name "admin" has unrestricted access to change and view configuration of your DSL Router.

The user name "support" is used to allow an ISP technician to access your DSL Router for maintenance and to run diagnostics.

The user name "user" can access the DSL Router, view configuration settings and statistics, as well as, update the router's software.

Use the fields below to enter up to 15 characters and click 'Apply/Save' to change or create passwords. Note: Password cannot contain a space.

Username:	<input type="text"/>
New Username:	<input type="text"/>
Old Password:	<input type="text"/>
New Password:	<input type="text"/>
Confirm Password:	<input type="text"/>

Apply/Save

In the page, you can modify the username and password of different users. After finishing setting, click the **Apply/Save** button to save and apply the settings.

#### Services

Choose **Management > Access Control > Services Control** and the following page appears.

**Access Control -- Services**

Services access control list (SCL) enable or disable the running services.

Services	LAN	WAN	Port
HTTP	<input checked="" type="checkbox"/> enable	<input type="checkbox"/> enable	80
TELNET	<input checked="" type="checkbox"/> enable	<input type="checkbox"/> enable	23
SSH	<input type="checkbox"/> enable	<input type="checkbox"/> enable	22
FTP	<input checked="" type="checkbox"/> enable	<input type="checkbox"/> enable	21
TFTP	<input checked="" type="checkbox"/> enable	<input type="checkbox"/> enable	69
ICMP	<input checked="" type="checkbox"/> enable	<input type="checkbox"/> enable	0
SNMP	<input checked="" type="checkbox"/> enable	<input type="checkbox"/> enable	161
SAMBA	<input checked="" type="checkbox"/> enable	<input type="checkbox"/> enable	445

Apply/Save

In this page, you can enable or disable the different types of services.  
After finishing setting, click the **Apply/Save** button to save and apply the settings.

**5.5.7 Update Software**

Choose **Management > Update Software**, and the following page appears.



Tools -- Update Software

**Step 1:** Obtain an updated software image file from your ISP.

**Step 2:** Enter the path to the image file location in the box below or click the 'Browse' button to locate the image file.

**Step 3:** Click the 'Update Software' button once to upload the new image file.

NOTE: The update process takes about 2 minutes to complete, and your Broadband Router will reboot.

Software File Name:

If you want to upload the software, click the **Browse...** button to choose the new software, and then click the **Update Software** button.

**Note:**

*When software update is in progress, do not shut down the router. After software update completes, the router automatically reboots.*

*Please make sure that the new software for updating is correct, and do not use other software to update the router.*

### 5.5.8 Reboot

Choose **Management > Reboot** and the following page appears.

**Click the button below to reboot the router.**

In this page, click the **Reboot** button, and then the router reboots.

## 6 Q&A

- (1) **Q:** Why all the indicators are off?  
**A:** Check the following:
  - The connection between the power adaptor and the power socket.
  - The status of the power switch.
- (2) **Q:** Why the **LAN** indicator is off?  
**A:** Check the following:
  - The connection between the ADSL router and your computer, hub, or switch.
  - The running status of your PC, hub, or switch.
- (3) **Q:** Why the **DSL** indicator is off?  
**A:** Check the connection between the “DSL” port of router and the wall jack.
- (4) **Q:** Why Internet access fails while the **DSL** indicator is on?  
**A:** Check whether the VPI, VCI, user name, and password are correctly entered.
- (5) **Q:** Why I fail to access the web configuration page of the DSL router?  
**A:** Choose **Start > Run** from the desktop, and ping **192.168.1.1** (IP address of the DSL router). If the DSL router is not reachable, check the type of the network cable, the connection between the DSL router and the PC, and the TCP/IP configuration of the PC.
- (6) **Q:** How to load the default settings after incorrect configuration?  
**A:** To restore the factory default settings, turn on the device, and press the reset button for about 1 second, and then release it. The default IP address and the subnet mask of the DSL router are **192.168.1.1** and **255.255.255.0**, respectively.
  - User/password of super user: **admin/admin**
  - User/password of common user: **user/user**

**Industry Canada Statement:**

This device complies with RSS-210 of the Industry Canada Rules. Operation is subject to the following two conditions: 1) this device may not cause interference and 2) this device must accept any interference, including interference that may cause undesired operation of the device.

IC Radiation Exposure Statement: This equipment complies with IC radiation exposure limits set forth for an uncontrolled environment.

**Avis d'Industrie Canada:**

Cet appareil est conforme à la norme CNR-210 des règlements d'Industrie Canada. Son fonctionnement est sujet aux deux conditions suivantes:

1) Cet appareil ne doit pas provoquer d'interférences et 2) Cet appareil doit accepter toutes les interférences, y compris celles pouvant entraîner son dysfonctionnement.

Avis d'Industrie Canada sur l'exposition aux Rayonnements: Cet appareil est conforme aux limites d'exposition aux rayonnements d'Industrie Canada pour un environnement non contrôlé.

**CS03 statement**

This product meets the applicable Industry Canada technical specifications. Le présent matériel est conforme aux spécifications techniques applicables d'Industrie Canada.

The Ringer Equivalence Number (REN) is an indication of the maximum number of devices allowed to be connected to a telephone interface. The termination of an interface may consist of any combination of devices subject only to the requirement that the sum of the RENs of all the devices not exceed five. / L'indice d'équivalence de la sonnerie (IES) sert à indiquer le nombre maximal de terminaux qui peuvent être raccordés à une interface téléphonique. La terminaison d'une interface peut consister en une combinaison quelconque de dispositifs, à la seule condition que la somme d'indices d'équivalence de la sonnerie de tous les dispositifs n'excède pas cinq.

## FCC Statement

This equipment has been tested and found to comply with the limits for a Class B digital device, pursuant to Part 15 of the FCC Rules. These limits are designed to provide reasonable protection against harmful interference in a residential installation. This equipment generates, uses and can radiate radio frequency energy and, if not installed and used in accordance with the instructions, may cause harmful interference to radio communications. However, there is no guarantee that interference will not occur in a particular installation. If this equipment does cause harmful interference to radio or television reception, which can be determined by turning the equipment off and on, the user is encouraged to try to correct the interference by one of the following measures:

- Reorient or relocate the receiving antenna.
- Increase the separation between the equipment and receiver.
- Connect the equipment into an outlet on a circuit different from that to which the receiver is connected.
- Consult the dealer or an experienced radio/TV technician for help.

FCC Caution: Any changes or modifications not expressly approved by the party responsible for compliance could void the user's authority to operate this equipment.

This device complies with Part 15 of the FCC Rules. Operation is subject to the following two conditions: (1) This device may not cause harmful interference, and (2) this device must accept any interference received, including interference that may cause undesired operation.

## FCC Part 68 Statement

This equipment complies with Part 68 of the FCC Rules. A label is attached to the equipment that contains, among other information, its FCC registration number and ringer equivalence number. If requested, this information must be provided to the telephone company.

This equipment uses the following USOC Jack: RJ-11.

An FCC-compliant telephone cord and modular plug is provided with this equipment. This equipment is designed to be connected to the telephone network or premises wiring using a compatible modular jack, which is FCC Part 68 compliant. Connection to the telephone network should be made by using the standard modular telephone jack.

The REN is useful to determine the quantity of devices that may be connected to the telephone line and still have all of those devices ring when your telephone number is

## User Manual

---

called. In most, but not all areas, the sum of RENs should not exceed 5. To be certain of the number of devices that may be connected to the line, as determined by the total RENs, contact the telephone company to determine the maximum REN for the calling area.

If this equipment causes harm to the telephone network, the telephone company may discontinue your service temporarily. If advance notice is not practical, the telephone company will notify the customer as soon as possible. Also, you will be advised of your right to file a complaint with the FCC if you believe it is necessary