



Z H O N E™

## **SKYZHONE 45 INSTALLATION GUIDE**

For software version (ODU) 1.0.4

Model Number: Generic System Image Version 1.0.0.2  
Document Part Number: xxx-xxxx-xx

Zhone Technologies  
@Zhone Way  
7001 Oakport Street  
Oakland, CA 94621  
USA  
510.777.7000  
www.zhone.com  
Email: info@zhone.com

**COPYRIGHT ©2000-2001 Zhone Technologies. All rights reserved.**

This publication is protected by copyright law. No part of this publication may be copied or distributed, transmitted, transcribed, stored in a retrieval system, or translated into any human or computer language in any form or by any means, electronic, mechanical, magnetic, manual or otherwise, or disclosed to third parties without the express written permission from Zhone Technologies.

Z-Plex, Z-Edge, ZMS, BAN, SLMS, SkyZhone and Sechtor are trademarks of Zhone Technologies, Inc.

Zhone and the Zhone logo are registered trademarks of Zhone Technologies.

All other trademarks and registered trademarks are the property of their respective holders.

Zhone Technologies makes no representation or warranties with respect to the contents hereof and specifically disclaims any implied warranties of merchantability, noninfringement, or fitness for a particular purpose. Further, Zhone Technologies reserves the right to revise this publication and to make changes from time to time in the contents hereof without obligation of Zhone Technologies to notify any person of such revision or changes.

# Federal Communications Commission (FCC)

## Part 15 Regulation

This equipment has been tested and found to comply with the limits for a Class A digital device, pursuant to part 15, subpart B, of the FCC rules. These limits are designed to provide reasonable protection against harmful interference when the equipment is operated in a commercial environment. This equipment generates, uses, and can radiate radio frequency energy and, if not installed and used in accordance with the user manual, may increase the potential for harmful interference to radio communications. Operation of this equipment in a residential area is likely to cause harmful interference, in which case the user will be required to correct the interference at his own expense.

No modifications or changes to this equipment are allowed, unless the changes or modifications are expressly approved by the manufacturer.

It is recommended that shielded cables be used to reduce interference whenever interference is suspected.

DRAFT

# CONTENTS

	<b>Federal Communications Commission (FCC)</b>	
	<b>Part 15 Regulation</b> .....	3
	<b>About This Guide</b> .....	9
	<b>Notes, cautions, and warnings</b> .....	9
<b>Chapter 1</b>	<b>Overview</b> .....	11
	<b>System overview</b> .....	11
	System hardware .....	11
	Indoor Unit .....	12
	Outdoor units .....	12
	ODU interior LEDs .....	13
	Antenna and cable .....	13
	<b>Technical specifications</b> .....	14
<b>Chapter 2</b>	<b>Preparing for Installation</b> .....	19
	<b>Site selection requirements</b> .....	19
	<b>Antenna path guidelines</b> .....	19
	<b>Received Signal Level and link budget</b> .....	20
	<b>Fade margin calculations</b> .....	21
	<b>Unit Frequencies</b> .....	21
	<b>Powering the units</b> .....	21
	<b>Equipment</b> .....	22
	Hardware included with SkyZhone 45 system .....	22
	Customer-supplied hardware .....	22
	Installation contractor-supplied hardware .....	22
	Required tools .....	23
<b>Chapter 3</b>	<b>Installation</b> .....	25
	<b>Important safety instructions</b> .....	25

<b>Antenna installation</b> .....	27
Mechanical installation .....	27
Antenna alignment .....	28
<b>ODU installation</b> .....	28
ODU mechanical installation .....	29
Connecting the ODU to the antenna .....	31
Securing the connectors .....	32
Weatherproofing the type N connector .....	32
Adjusting azimuth and elevation .....	32
<b>IDU installation</b> .....	33
System interconnections .....	34
Cabling IDU to ODU .....	34
Electrical installation .....	35
IDU to ODU cable connection .....	35
DS3 .....	36
Alarms .....	36
Local PC for terminal emulation .....	36
Ethernet interface .....	36
DC power connection .....	36
AC power connection .....	36
Confirming power to the system .....	37
<b>ODU LEDs</b> .....	37
<b>IDU LEDs</b> .....	37
<b>Chapter 4 Provisioning</b> .....	39
<b>Overview</b> .....	39
Provisioning the primary operational frequency .....	39
Provisioning the secondary frequency .....	40
Provisioning transmitter power .....	40
Provisioning the receive attenuator setting .....	40
Provisioning the transmit overlimit regulator .....	40
Enabling the RF power amplifier and LNA .....	40
<b>The management interface</b> .....	41
<b>Power-up indications</b> .....	41
<b>Error Messages</b> .....	42
<b>Provisioning overview</b> .....	43
<b>Commands</b> .....	43
Setting the primary frequency .....	43
Setting the secondary frequency .....	44
Channel center frequencies .....	44
Setting the transmit signal strength .....	45
Setting the receive signal attenuation .....	46
Setting the transmit signal strength threshold .....	48
Setting the amplifiers ON .....	48
Setting the amplifiers OFF .....	49

	Verifying the installation.....	49
	The QuickStatus command.....	50
<b>Chapter 5</b>	<b>System Maintenance .....</b>	<b>53</b>
	Physical maintenance .....	53
	Diagnostics using the b byte.....	53
	IDU LEDs.....	55
	Local DS3 failure.....	55
	Remote radio failure .....	55
	Local environmental alarms .....	56
	Remote loopback test indication.....	56
	DS3 loop back/link testing .....	56
	Error messages.....	56

DRAFT

DRAFT



# ABOUT THIS GUIDE

This guide provides installation and configuration information about the SkyZhone 45 system. It is intended for professional installation personnel qualified in the installation of microwave antennas.

This guide has the following chapters.

Chapter 1, “Overview,” on page 11 describes the SkyZhone 45 system.

Chapter 2, “Preparing for Installation,” on page 19 explains how to get ready to install the system.

Chapter 3, “Installation,” on page 25 describes the system installation.

Chapter 4, “Provisioning,” on page 39 explains how to select channels and provision the SkyZhone 45 system.

Chapter 5, “System Maintenance,” on page 53 explains how to maintain the SkyZhone 45 system.

## Notes, cautions, and warnings

Notes, cautions, and warnings are used throughout this guide.



**Note:** Notes give additional information.



**Caution:** Cautions provide information about situations or items that need to be handled carefully in order to avoid damage to equipment.



**WARNING!** Warnings provide information about dangers that may cause physical harm to people or to the equipment.

---

DRAFT

# 1 OVERVIEW

This chapter provides an overview of the SkyZhone 45 system. It includes the following sections:

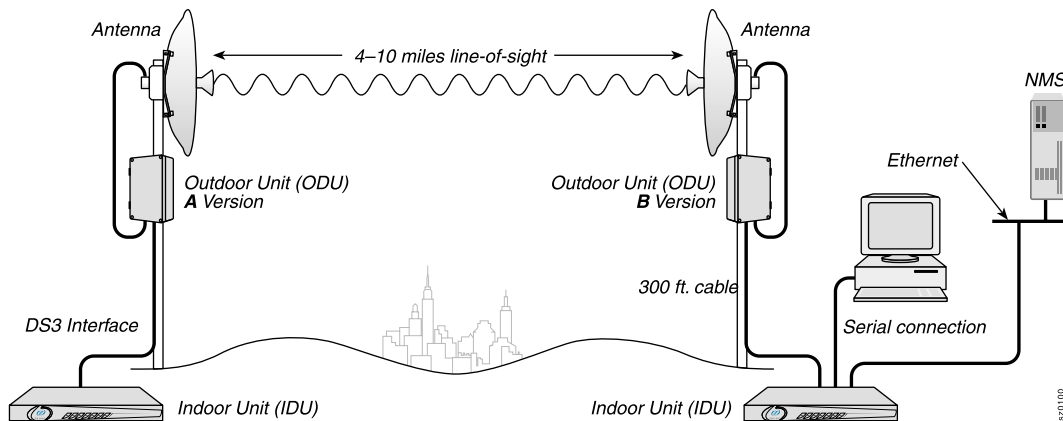
- System overview, page 11
- Technical specifications, page 14

## System overview

The SkyZhone 45 is a point-to-point digital microwave link with a range of 4 to 10 miles in line-of-sight conditions, depending upon the antenna. The SkyZhone 45 system operates in FCC allocated, unlicensed frequencies between 5.250 GHz and 5.825 GHz known as the National Information Infrastructure or U-NII band.

Figure 1 shows the components of the SkyZhone 45 system.

**Figure 1: SkyZhone 45**



## System hardware

The SkyZhone 45 system includes:

- Two Indoor Units (IDUs) with rack mount hardware and surge suppressors.
- One Version A Outdoor Unit (ODU) with mast (pole) mounting hardware.

- One Version B Outdoor Unit (ODU) with mast (pole) mounting hardware.
- Two antennas.
- Two ODU antenna cables.

## Indoor Unit

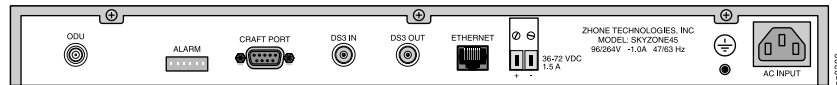
Two identical IDUs are provided. One IDU is installed at each end of the link and each IDU is connected to its respective ODU by a maximum 300 ft cable. The IDU units are each one rack unit-high and have a power supply, a CPU, and modem components for the DS3 radio system.

Rack mount brackets are included with the SkyZhone 45 system so that the units can be installed in a 19-inch or 23-inch rack. Secure the IDU according to local building and equipment installation codes.

**Caution:** The IDU must be protected from rain or condensing moisture.

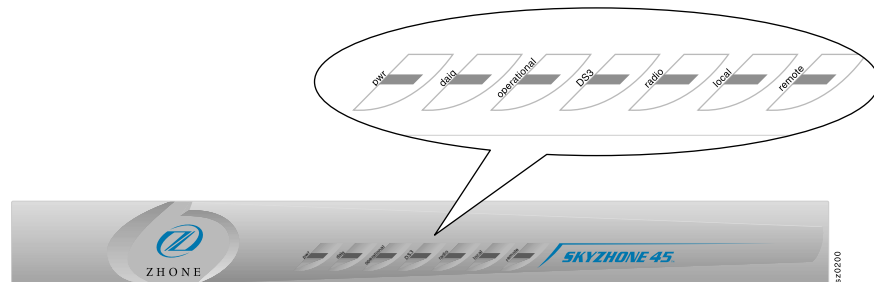
System connectors are on the rear panel of the IDU (Figure 2). All connections are made from the rear panel.

**Figure 2: IDU rear panel**



The front panel has seven LEDs that display system status (Figure 3).

**Figure 3: IDU front panel LEDs**



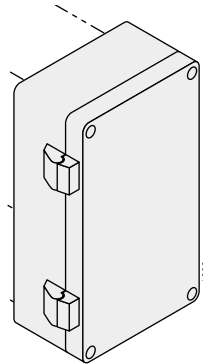
## Outdoor units

The ODUs are weather-proof cast aluminum enclosures (Figure 4). Each enclosure has a radio up-converter and diplexer components controlled by a microprocessor.

There are two versions of the ODU: the A version transmits high and receives low; the B version transmits low and receives high. One of each version is required at either end of a SkyZhone 45 link. The ODU version is indicated on the outside of the unit.

The ODU is designed to be mounted within six feet of the antenna and is supplied with mounting hardware for installation on a pole or mast up to 4.5 inches in diameter.

**Figure 4: ODU**



## ODU interior LEDs

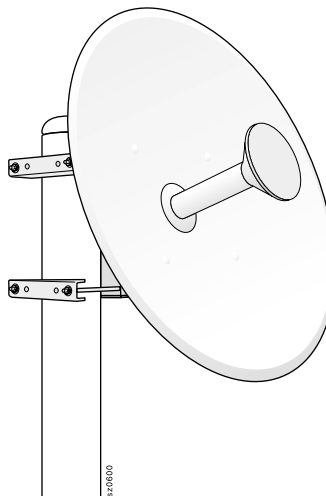
The ODU has five LEDs that are visible when the weatherproof door is opened. These LEDs are used during system installation to verify that the system is operational and that a signal is being received.

## Antenna and cable

The SkyZhone 45 system uses two parabolic antennas, one at each end of the link. The antennas can be two, four, or six feet in diameter.

The ODU antenna cable is six feet long. It has special connectors on each end.

**Figure 5: SkyZhone 45 Antenna**



**WARNING!** Use the ODU antenna cable that is included with the SkyZhone 45 system. Use of any other cable could compromise system performance.

## Technical specifications

The following table lists SkyZhone 45 system specifications and a description for each.

**Table 1: Technical specifications**

Specification	Description
Configuration	A point-to-point broadband wireless transport system, with separate indoor and outdoor units, connected by a 75 ohm RG-6 coaxial cable up to 300 feet in length.
Antenna	A parabolic antenna with 29 dBi to 36 dBi gain, connected to the ODU by a 50 ohm cable six feet in length.
Range	Four to ten miles under line-of-sight conditions depending upon the antenna.

This table describes the SkyZhone 45 system mechanical specifications:

**Table 2: Mechanical specifications**

Specification	Description
IDU	Single rack unit (1.75 in high, 17.2 in wide and 8.24 inches deep). Plated steel construction, with a molded plastic front panel with LED indicators and a rear connector panel.
ODU	Diecast aluminum weather-proof housing, 10 in high, 4 in deep, 6 in wide.
ODU mounting	Anodized aluminum mounting structure to secure ODU to pole, mast or wall, with security lock to prevent unauthorized removal.
Antenna	Two, four or six feet diameter parabolic dish. Includes mounting structure to attach it to a pole or mast (1.9 in to 4.5 in diameter) that allows azimuth and tilt adjustment.

This table describes the SkyZhone 45 system digital interfaces:

**Table 3: Digital interfaces**

Specification	Description
System payload	DS-3, 44.736 Mbps full-duplex per GR 499 specifications.
Input/output connection	BNC
Input/output impedance	75 ohm, unbalanced.
Line coding	B3ZS
Error correction	Reed Solomon plus equalization.

This table describes the SkyZhone 45 system RF specifications:

**Table 4: General RF specifications**

Specification	Description
Frequency Band	5.725 to 5.825 GHz, 5.25 to 5.35 GHz
Modulation	16 QAM
Channelization plan	17 overlapping channels selected through craft interface
Occupied bandwidth	17 MHz
Channel spacing	5 MHz between center frequencies
TX/RX frequency separation	475 MHz
Transmit IF frequency	615 MHz
Receive IF frequency	140 MHz
ODU-IDU (IF) connector	TNC female
ODU RF connector	N female
ODU RF impedance	50 ohm

This table describes the SkyZhone 45 system transmitter specifications:

**Table 5: Transmitter specifications**

Specification	Description												
Frequency reference	Internal TCXO												
Frequency stability	1.0 ppm (over -40 Celsius to +60 Celsius) Aging <3.5 ppm over 10 years.												
Transmitted power output	Controlled by craft interface or NMS in 1.0 dB increments to comply with maximum EIRP requirements of CFR 47 Part 15.407.												
Transmitted spectral mask:	In compliance with CFR 47 Part 15.407												
Radiated harmonic suppression	In compliance with the following:												
	<table border="1"> <thead> <tr> <th>Harmonic</th> <th>Power dBc</th> </tr> </thead> <tbody> <tr> <td>2nd</td> <td>50</td> </tr> <tr> <td>3rd</td> <td>60</td> </tr> <tr> <td>4th</td> <td>60</td> </tr> <tr> <td>5th through 8th</td> <td>70</td> </tr> <tr> <td>9th or greater</td> <td>70</td> </tr> </tbody> </table>	Harmonic	Power dBc	2nd	50	3rd	60	4th	60	5th through 8th	70	9th or greater	70
Harmonic	Power dBc												
2nd	50												
3rd	60												
4th	60												
5th through 8th	70												
9th or greater	70												

This table describes the SkyZhone 45 system receiver specifications:

**Table 6: Receiver specifications**

Specification	Description
Frequency reference	Temperature Compensated Crystal Oscillator
Frequency stability	1.0 ppm (over -40 Celsius to +60 Celsius) Aging <3.5 ppm over 10 years
Threshold at 10 <sup>-8</sup> /BER	-88 dBm

This table describes the SkyZhone 45 system power specifications:

**Table 7: Power specifications**

Specification	Description
IDU DC Power Requirements	Input Voltage -48 VDC nominal @ 50 W. Tolerance range -36 to -72 VDC. The IDU shall meet the “shared DC power” voltage limits criteria and electrical noise criteria of GR-499 core.
IDU AC Power Requirements	Input Voltage 90-260 VAC Frequency Range 45-65 Hz.
ODU Power Requirements	+17 VDC @ 15 W supplied by IDU through Coaxial Cable, measured at IDU output connector.

This table describes the SkyZhone 45 system environment specifications:

**Table 8: Environmental specifications**

Specifications	Description
IDU Operating Temperature	-40 to +60 degrees Celsius
IUD Storage Temperature	-40 to +75 degrees Celsius
IDU Humidity	95% non-condensing in sheltered environment
ODU Operating Temperature	-40 to +60 degrees Celsius
ODU Storage Temperature	-40 to +75 degrees Celsius
ODU Humidity	100% in unsheltered environment

This table describes the system network management and administrative specifications:



**Table 9: Network management and administration**

Specification	Description
Provisioning	Through local VT100 Craft interface port.
Alarms	Indication is provided using the LED display, and error messages are transmitted through the serial (Craft) port.
Alarm connector	Phoenix Contact modular screw terminal.

DRAFT

DRAFT

# 2

## PREPARING FOR INSTALLATION

This chapter explains how to prepare to install the SkyZhone 45 system, and includes the following sections:

- Site selection requirements, page 19
- Antenna path guidelines, page 19
- Received Signal Level and link budget, page 20
- Fade margin calculations, page 21
- Unit Frequencies, page 21
- Powering the units, page 21
- Equipment, page 22

### Site selection requirements

The performance of the SkyZhone 45 system depends upon its proper installation. A good installation conforms to these guidelines:

- The antennas are installed in line-of-sight of each other, with adequate clearance.
- The antennas are mounted to stable structures.
- There is dependable, protected and easily accessible power at each site.
- The coaxial connection between the IDU and ODU is no longer than 300 ft.

### Antenna path guidelines

The SkyZhone 45 wireless transport will not operate properly unless you can see each antenna from the other. High frequencies used cannot pass through trees or other obstacles. In general, consider the following when calculating line-of-site between the antennas:

- The curvature of the earth.
- Buildings and trees.
- Future tree growth and construction.

In addition to line-of-sight clearance, a well-engineered high-frequency path will also incorporate additional clearance. Extra space is needed to compensate for signal loss due to partial obstructions, atmospheric inducting, and multipath reflections.

To maximize radio reception

- Calculate 0.6 times the first Fresnel zone
- Add this distance to the path clearance above the tallest obstacle in the line-of-sight path.

A typical Fresnel zone clearance required at mid-path over a 10 mile link is 28 feet at 6 GHz. An on-line resource for Fresnel zone calculations is available at:

<http://home.infi.net/~allenk/freszone.html>

## Received Signal Level and link budget

The link budget is used to prevent signal reception problems. An Received Signal Level (RSL) is calculated and compared to the receive threshold of the SkyZhone 45 radio when the system is installed.

Use the following formula to calculate the RSL:

$$\text{RSL (dBm)} = P_{\text{out}} - \text{FL1} + \text{G1} + \text{G2} - \text{FL2} - L_p$$

where:

$P_{\text{out}}$  is the transmitter output power (in dBm). See Table 14 on page 46 for values.

FL1 is the feeder loss of the transmit side (in dB). This is typically -1 dB.

G1 is the gain of the transmit antenna (in dB). Use the following values:

- +29 dB for the 2 foot antenna
- +33 dB for the 4 foot antenna
- +37 dB for the 6 foot antenna.

G2 is the gain of the receive antenna (in dB). Use the following values:

- +29 dB for the 2 foot antenna
- +33 dB for the 4 foot antenna
- +37 dB for the 6 foot antenna

FL2 is the feeder loss of the receive side (in dB). This is typically -1 dB.

$L_p$  is the Path loss defined by:

$$L_p \text{ (dB)} = 96.6 + 20 \log_{10} F + 20 \log_{10} D$$

where: F= 5.8 (frequency in GHz)

D=Distance of path in miles

## Fade margin calculations

The fade margin is the difference between the RSL and the receiver’s threshold. Use the RSL as calculated in “Received Signal Level and link budget”, and compare it to the receive threshold of the SkyZhone 45 radio (-88 dBm for BER of 10<sup>-8</sup>) The fade margin is the difference between the two signal levels.

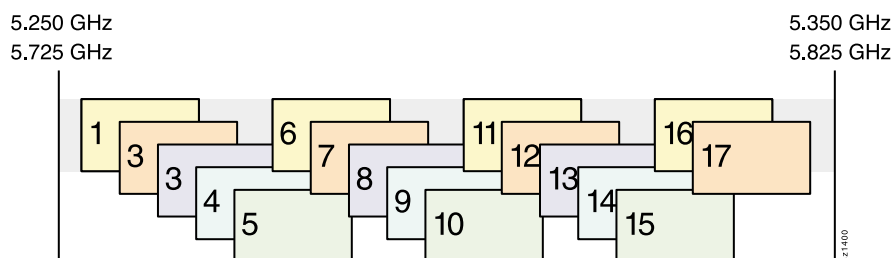
A fade margin of at least 20 dB is suggested for reliable performance, and larger margins may be required over areas with water or thermal inversions.

## Unit Frequencies

The SkyZhone 45 radios operate over two 100 MHz channels. The SkyZhone 45 system divides each 100 MHz wide band into seventeen overlapping sub-channels, each about 17 MHz wide. Spectrum reuse is maximized and signal interference is minimized by changing sub-channels, alternating polarization, and changing azimuth.

Each system has an “A” and “B” ODU. The radio with ODU variant “A” transmits in the range of 5.725 to 5.825 GHz, and receives in the range 5.250 to 5.350 GHz. The “B” variant is the opposite, transmitting in the range 5.250 to 5.350 GHz and receiving at 5.725 to 5.825 GHz. This frequency split allows full duplex communications.

**Figure 6: SkyZhone 45 channel allocation**



For information about channel center frequencies, see “Channel center frequencies” on page 44.

## Powering the units

The SkyZhone 45 system ODU receives power from the IDU. The IDU must have access to a supply of appropriate power, either DC or AC. Do not connect both AC power and DC power to the same IDU.

Power requirements are listed in Table 6 on page 16.

## Equipment

Before you begin the SkyZhone 45 system installation, make sure that you have all of the hardware and tools required.

### Hardware included with SkyZhone 45 system

The SkyZhone 45 system includes the following hardware:

- Two Indoor Units (IDU), each with:
  - AC power cord
  - One set 19 in rack mount brackets with screws
  - One set 23 in rack mount brackets
  - One surge suppressor for the ODU-IDU cable
  - This manual in CD ROM format
- One Outdoor Unit (ODU) “A” variant
- One Outdoor Unit (ODU) “B” variant
- Two sets of ODU mounting hardware
- Two antenna cables, 6 ft LMR-600 with connectors.
- Two antennas (2 ft, 4 ft or 6 ft in diameter), each with:
  - Mounting hardware (design will vary with antenna size)
  - Installation instructions (will vary with antenna size)

### Customer-supplied hardware

The customer is responsible for supplying the following hardware:

- Two 19- or 23-inch mounting racks or cabinets for the IDUs. They must be indoors or in cabinets or vaults protected from moisture.
- Mounting structures for the antennas and ODU equipment. They must be structurally and mechanically adequate for the antenna size and location.
- DC power fuse panels, if DC power is used. The DC power must be supplied from a switched, protected DC power panel.
- Ground connections. Grounding connections must be provided at both IDU and ODU locations.

### Installation contractor-supplied hardware

The installation contractor supplies the following hardware:

- IDU-ODU interconnecting cables with connectors.

This cable is type RG-6 cable, 75 ohm impedance, terminated in type TNC weatherproof connectors. Acceptable types include 18 gauge Belden 9248 or Alpha 9314. The length may vary between installations but the cable run must not exceed 300 ft in length.

Do not use 50 ohm cable for this connection. Do not substitute RG-59 cable for 18 gauge RG-6 cable. Connectors may be crimped or soldered, but must be type TNC male.

- Copper ground wire (#6). This wire is used to ground the antennas, ODUs and IDUs.
- Miscellaneous hardware, including ground lugs, cable ties, bulkhead pass-throughs, connector sealants, and other materials as needed.

## Required tools

These tools are required for most SkyZhone 45 installations:

- Personal safety equipment  
Safety harnesses, climbing rope, hard hats, and other gear as required for tower-mounting antennas and ODUs.
- A VT100 compatible PC emulator or terminal.  
The terminal is used to configure the system using the DB9 (Craft) serial port on the back of the IDU.
- A Volt-ohm meter (Fluke model 77 or equivalent)  
Used to verify DC power, measure DC voltage and resistance (cable continuity), and to verify the continuity of the IDU-ODU cable. It is also used to measure RSSI during final antenna alignment.
- Radio installation hand tools.  
The tools should include screwdrivers, wrenches, and pliers, plus an electric drill and bits. The SkyZhone 45 system uses US standard fasteners.

DRAFT



# 3 INSTALLATION

This explains how to install the SkyZhone 45 system and includes the following sections:

- Important safety instructions, page 25
- Antenna installation, page 27
- ODU installation, page 28
- IDU installation, page 33
- ODU LEDs, page 37
- IDU LEDs, page 37



**WARNING!** Every part of this microwave radio system, including antennas, must be properly grounded. Grounding maximizes the system performance, minimizes lightning damage, and ensures safety. Make sure ground connections are available for all of the SkyZhone 45 equipment before beginning the installation.

---

## Important safety instructions

The SkyZhone 45 system equipment is designed and manufactured in compliance with safety standard EN60950.

Following these precautions will ensure personal safety and prevent damage to the SkyZhone 45 equipment or to other connected equipment.




**Note:** Read and follow all warning notices and instructions marked on the product or included in this guide.

---

### Safety instructions:

- 1 The SkyZhone 45 product should be installed by professionals. If this product was not purchased directly from Zhone or an authorized distributor, contact Zhone Technologies, Inc. for referral to a professional installer. Non-authorized installation is in possible violation of FCC regulations.

- 2** Every SkyZhone 45 component must be grounded through the terminal marked with the international ground symbol. (  )
- 3** Slots and openings in the equipment are for ventilation. For reliable operation and to avoid overheating, do not or block cover any slots or openings in the system chassis.
- 4** DO NOT attempt to service this product yourself, or your warranty will be void. Refer all servicing to Zhone Global Service and Support.
- 5** Special cables, which may be required by the regulatory inspection authority for the installation site, are the responsibility of the customer.
- 6** When installed in the final configuration, the product must comply with the applicable safety standards and regulatory requirements of the geographic location in which it is installed. If necessary, consult with the appropriate regulatory agencies and inspection authorities to ensure compliance.
- 7** A rare phenomenon can create a voltage potential difference between the earth grounds of two or more buildings that are interconnected through installed communication links such as coaxial cables. Consult a qualified electrical consultant to determine whether this phenomenon exists and, if necessary, implement corrective action before installing the products.
- 8** Always use adequate Electrostatic Discharge (ESD) protection when handling circuit card assemblies and other electronic parts.
- 9** DO NOT allow anything to rest on the power cord. Do not place the product where the power cord could be walked on or damaged.

## Antenna installation



**WARNING!** It is the responsibility of the installer to ensure that the antenna is mounted so that it is not accessible to the public and is not directed where dangerous levels of human exposure could result.

Due to the possibility of exposure to Radio Frequency (RF) radiation above the recommended levels, do not stand within five (5) feet of the front of the antenna during system operation.

## Mechanical installation

The antennas are mounted to a vertical pipe or tower leg that has sufficient rigidity to prevent the antenna being moved by wind. Follow the wind load guidelines in the antenna installation instructions, and design the antenna structure with the wind load guidelines in mind.

The antenna assemblies include mounting hardware that provides adjustment in vertical and horizontal planes.

The antenna has a type-N style connector with a special sleeve to prevent its being connected except to the short coaxial cable that connects to the ODU.

Three different-sized parabolic antennas are available with the SkyZhone 45. Parabolic antennas provide forward gain and protection from in-band interference on other azimuths. The FCC approval is valid ONLY when one of the Zhone Technologies, Inc. antennas are used. Do not use antennas from any other source.

Read and use the installation instructions packaged with the antennas. Table 10 describes the instructions that apply to each antenna:

**Table 10: Antenna installation and adjustment procedures**

Antenna version	Description
SSP2-52B (2 ft)	Feed Assembly Plane Polarized Installation Instructions
	Adjustable Parabolic Antenna Mount Installation Instructions
SSP4-52B (4 ft)	4' and 6' Diameter Microwave Antennas with Vertical Tilt Mount Installation Instructions
	Feed Assembly Plan Polarized Installation Instructions
SSP6-52A (6 ft)	4' and 6' Diameter Microwave Antennas with Vertical Tilt Mount Installation Instructions
	Feed Assembly Plan Polarized Installation Instructions
All Antennas	Weatherproofing the "Type N" Female Connector on Feeds

## Antenna alignment

Each antenna is aimed directly at, and has an optical line-of-sight radio path to, the antenna on the other end of the link. The presence of buildings, foliage or other obstructions within the radio path or the first Fresnel zone will impede performance and could prevent communications. Depending upon the antenna diameter used, the beam width of most of the transmitted signal will be 5 degrees or less, requiring that the antenna be accurately aimed.

A quality magnetic compass and spirit level should be used to aim the antenna. The azimuth of the other site must be known and magnetic deflection considered. You can consult topographical maps to determine the amount of local magnetic deflection.

The antenna mounting hardware can be adjusted after the antenna is installed. To use the adjusting points, the clamping bolts must be slightly loose. After the antenna is aligned for maximum signal strength, tighten the mounting bolts.

The antenna is connected to earth ground using #6 AWG copper ground wire, in compliance with local and national electrical codes.



### WARNING!

**There is no proven link between the low level of RF emitted by this device to any type of injury or disease, however, it is recommended that you follow these precautions to minimize unnecessary RF exposure:**

- **Do not connect power to the IDU and do not install the cable between the IDU and ODU until the antenna and ODU are installed. This will prevent radiation from the antenna when people are within close proximity.**
  - **Do not install the antenna where it is possible for a person to stand within five feet of the radiating side.**
- 

## ODU installation

There are two versions of the ODU, labeled A and B. Each SkyZhone 45 system must have one A variant ODU and one B variant ODU. The A version transmits on frequencies between 5.725 and 5.825 GHz, and receives on frequencies between 5.250 and 5.350 GHz. The B version transmits on the lower frequencies and receives on the higher.

Either variant can be used at either end of a link, however, it is recommended that the A variant be installed on the end of the link that is nearest the Central Office.

## ODU mechanical installation

Use the mounting bracket that came with the ODU to install it. Use these guidelines to install the ODU:

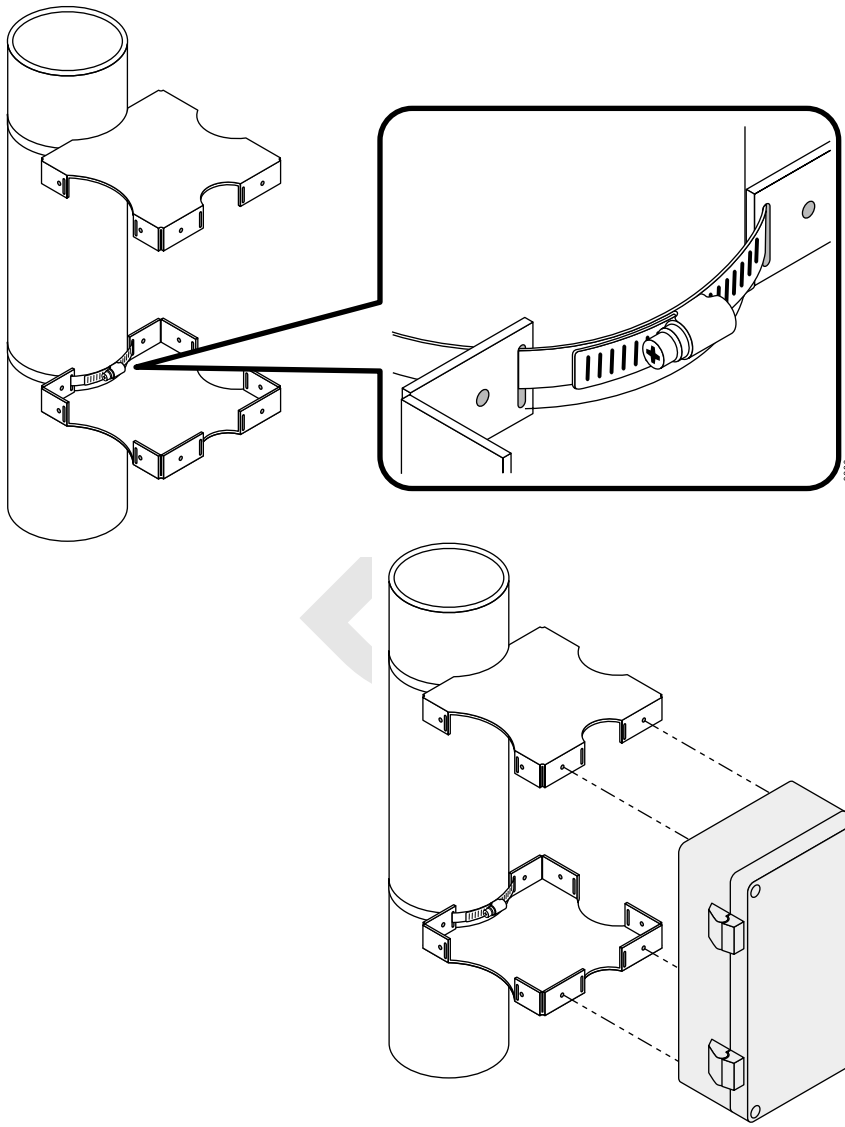
- The ODU must be installed within six feet of the antenna, or within reach of the 6 ft LMR-600 cable provided (see Figure 10 on page 32). This cable is very rigid and requires sufficient bending radius.
- The mounting clamp is designed to secure the ODU to a pole or mast, and should be installed immediately below the antenna.
- The ODU must be installed with its connectors pointing towards the ground. See Figure 10 on page 32 for an example of a properly installed ODU.

### To mount the ODU:

- 1 Install the mounting bracket to the pole or mast.
- 2 Install the side plates to the mounting bracket. (This ensures correct vertical spacing).
- 3 Open the ODU front cover and mount the unit to the side plates using the mounting screws.
- 4 Secure the front cover of the weatherproof cabinet using the fastening tool provided with the system. Use of this tool prevents unauthorized access to the enclosure.

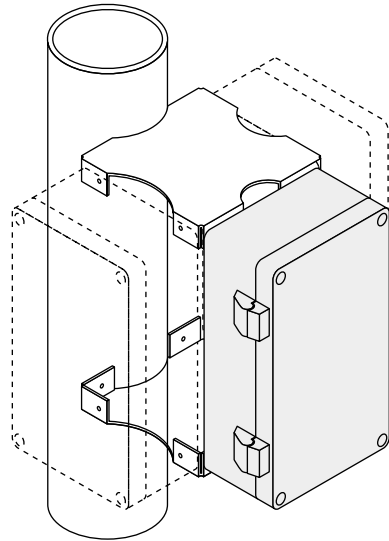
See Figure 7 for a detailed view of installing the ODU mounting bracket to the pole or mast.

Figure 7: ODU mounting installation detail



You can mount multiple ODUs to a single mounting bracket as shown in Figure 8.

Figure 8: Mounting options



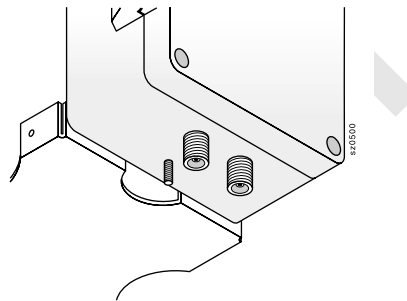
## Connecting the ODU to the antenna

The ODU has two coaxial connectors, as shown in Figure 9. The larger type N-style connector connects to the antenna, and the smaller TNC-style connector connects to the IDU.



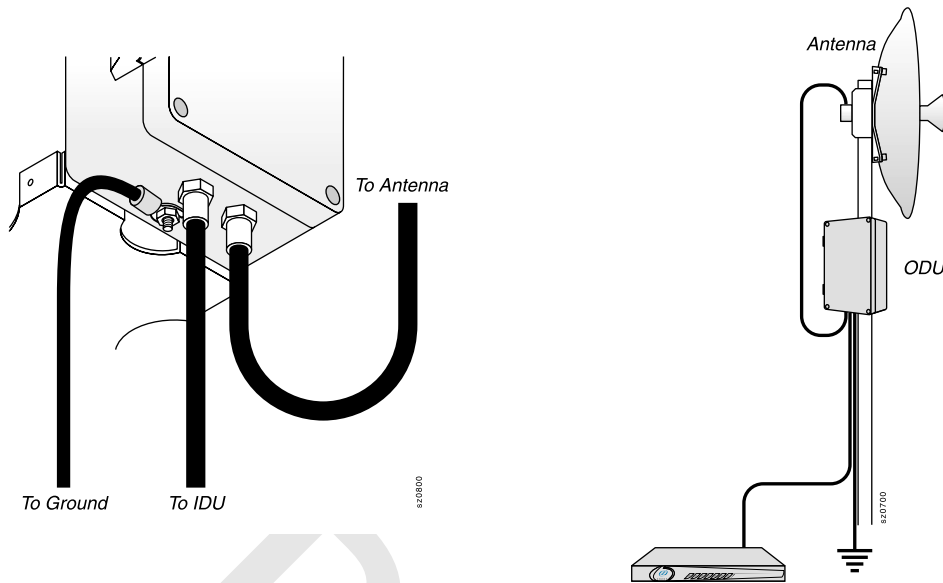
**Note:** The ground stud on the ODU must be connected to earth ground.

Figure 9: ODU connector panel



Connect the ODU to the antenna as shown in Figure 10.

Figure 10: Connecting the ODU to the antenna



## Securing the connectors

After connecting the coaxial cable to the antenna, secure the special N-style connector using an open-end adjustable wrench. Use care not to over-tighten the connectors.



**Caution:** Make sure that the Type N connector to the antenna is properly and securely seated before you secure the connector cover. This connector cover can only be used once, because it strips the threads of the connector to prevent unauthorized or inadvertent removal. Once secured, the connector cover cannot be removed without damaging the antenna connector.

## Weatherproofing the type N connector

After the coaxial cable is connected, wrap the Type N-style connector in butyl rubber sealant, and squeeze it firmly around all of the joints to make a continuous seal. For best weatherability, wrap the butyl seal with several layers of black PVC tape (not supplied).

## Adjusting azimuth and elevation

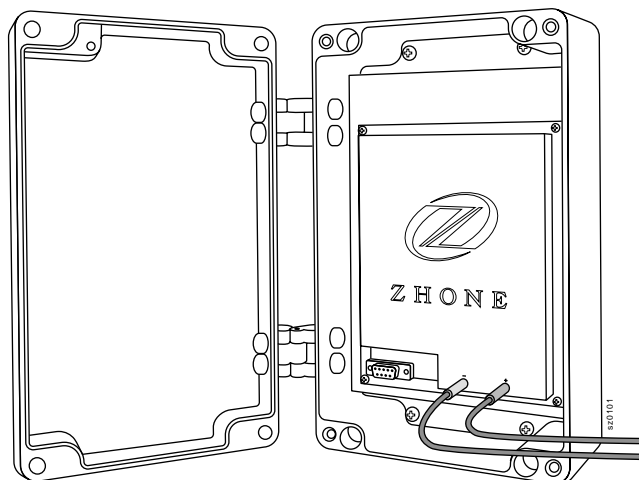
The antenna installation instructions explain azimuth and elevation panning. You can use these instructions, and a compass or GPS and a level, to roughly align the antenna. There will be a weak signal.

RSSI test points inside the ODU provide a voltage that varies with receive signal strength. See Figure 11. The system must be provisioned and the link



made operational before final azimuth and elevation adjustments can be made using the Received Signal Strength Indication (RSSI) test points.

**Figure 11: RSSI test points**



The voltage range of the RSSI indication is very small, varying from 0.9 VDC to 1.4 VDC. Use a digital voltmeter capable of resolution at these ranges (for example, a Fluke model 77), and adjust the antenna's azimuth and tilt until an optimal signal is reached as indicated by the voltage at the RSSI connection. A higher voltage indicates more signal strength. Use care not to "peak" the antenna on a side lobe, which is often about 20 dB below the main lobe in strength. The antenna should be on the approximate azimuth that was calculated using a compass and map.

## IDU installation

The IDU units are installed inside at each end of the microwave link, within 300 feet of the ODU, and are protected from rain or condensing moisture.

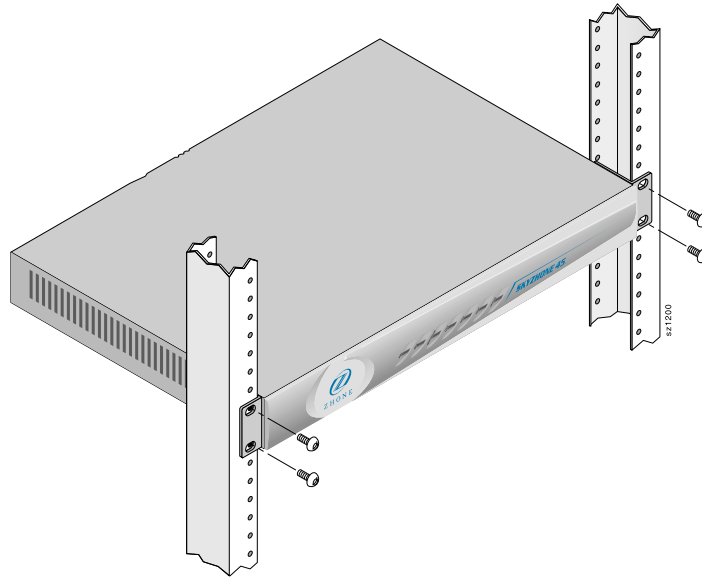
Secure the IDU in the rack. Rack mount brackets are provided to install the unit into a 19- or 23-in rack as shown in Figure 12



**Caution:** To prevent damage to the system, use only the screws provided.

Note that all of the IDU connections are made on the rear panel.

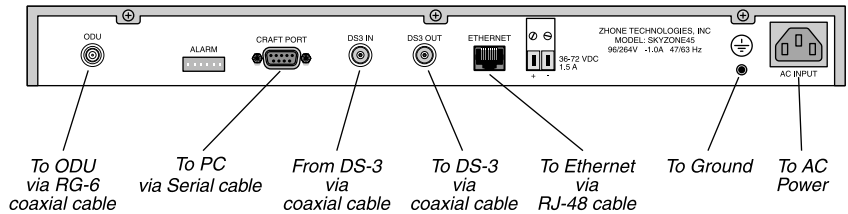
**Figure 12: IDU installation**



## System interconnections

Figure 13 shows the connections made on the IDU.

**Figure 13: Connecting IDU Interfaces**



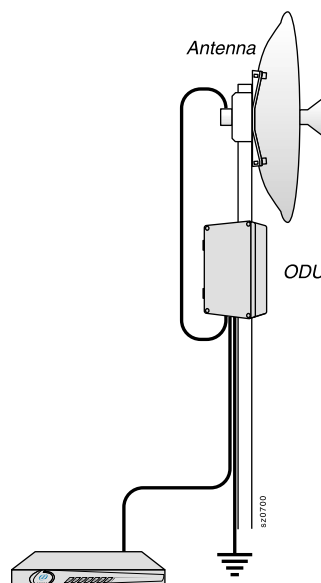
## Cabling IDU to ODU

Before connecting the IDU to the ODU, check the electrical continuity of the center conductor and the ground shield end-to-end. This verifies that the connectors have been installed properly.

Connect the IDU to the ODU only after a ground connection has been made at the IDU and the surge protector is installed on the IDU TNC female connector.

Install the 75 Ohm cable between the ODU and the IDU as shown in Figure 14.

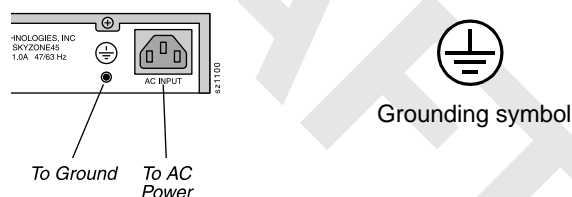
**Figure 14: Cabling IDU to ODU**



## Electrical installation

Before any other connections are made, connect a ground wire to the terminal marked with the grounding symbol (see Figure 15).

**Figure 15: Electrical connector locations**



## IDU to ODU cable connection

Locate the TNC-style connector on the left side of the IDU rear panel. It is connected to the ODU with a contractor-supplied RG-6 coaxial cable. Install the surge protector that was included with the system on the IDU female TNC connector, then connect the cable between the IDU and ODU.



**Note:** Exposed cabling should be protected in conduit.

## DS3

Connect the two DS3 cables to the DS3 BNC connectors. These cables should be marked “DS-3 IN” and “DS-3 OUT”. The system will not carry traffic (but will be undamaged) if these couplers are reversed.

## Alarms

Alarm indications in SkyZhone 45 release version 1.0 are displayed using the LEDs on the unit front panels.

## Local PC for terminal emulation

Connect a VT-100 terminal or a PC running terminal emulation software to the DB-9 (Craft) serial port. See “The management interface” on page 41 for more information.

## Ethernet interface

There is an RJ-45 10/100 BaseT Ethernet connector to the right of the BNC connectors on the back of the IDU. This interface is reserved for network management support.

## DC power connection

The two-pin connection marked DC power connects -48 VDC (nominal) power to the IDU. DC power supplied to this unit should come from an external network power panel with fuse protection.



**Caution:** The IDU is not polarity sensitive and will operate properly with power over the 36 to 60 VDC. No damage will occur due to under- or over-voltage conditions up to 100 VDC.

---



**WARNING!** Do not connect DC power until the ODU is installed and connected to the IDU and to the antenna.

---

## AC power connection

The AC power connection accepts AC voltage over the range of 90-260 volts, in a frequency range of 50-60 Hz.



**WARNING!** Do not connect AC power until the ODU is installed and connected to the IDU and to the antenna. Do not connect both AC power and DC power to the same IDU. The ground pin in an AC power cord is not adequate grounding. Use the external ground connection.

---

## Confirming power to the system

After either AC or DC power has been supplied to the IDU, the IDU front panel LED marked PWR will illuminate. The radio will not begin transmitting until configured by the installer to comply with FCC regulations. See Chapter 4, “Provisioning,” on page 39.

## ODU LEDs

Table 11 describes the ODU LEDs.

**Table 11: ODU LED indicators**

LED	Description
A (green) blinking	A heartbeat indicator that is synchronized with a watchdog timer. Indicates that the ODU has power and the processor is running.
B (yellow) ON	Indicates that the non-volatile memory chip is being accessed. This is an infrequent and brief event. This LED is lit primarily during system self-test.
C (green) ON	Indicates that the synthesizer is in Lock Mode. This LED is active during regular operation, but not until the unit is configured.
D (yellow) ON	Indicates a minimum received level is present. This LED is active during regular operation, but not until the unit is configured. When lit, the RSSI test points can be used for fine alignment of the antenna.
E (red) ON	Indicates a fault with the ODU processor. The ODU will not pass traffic.

## IDU LEDs

The IDU has seven LEDs on the front panel. When the system is powered up, the LED marked PWR will illuminate. See “IDU LEDs” on page 55 for more information.

DRAFT

# 4 PROVISIONING

This chapter explains how to provision the SkyZhone 45. It has the following sections:

- Overview, page 39
- The management interface, page 41
- Provisioning overview, page 43
- Verifying the installation, page 49
- The QuickStatus command, page 50

After the system is provisioned, it will be fully functional and able to transmit data.

## Overview

The SkyZhone 45 system is provisioned through the DB-9 (Craft) serial port on the IDU using a VT-100 terminal or a PC running terminal emulation software.



**Note:** The system will not transmit or receive until you complete the provisioning as explained in this chapter.

---

This section gives a provisioning overview and includes these sections:

- Provisioning the primary operational frequency, page 39
- Provisioning the secondary frequency, page 40
- Provisioning transmitter power, page 40
- Provisioning the receive attenuator setting, page 40
- Provisioning the transmit overlimit regulator, page 40
- Enabling the RF power amplifier and LNA, page 40

## Provisioning the primary operational frequency

The primary operational frequency is the frequency that the system will operate on when it is initiated. Before choosing this frequency, perform an interference analysis using a spectrum analyzer. The channel should be clear

of interference for the specific azimuth and deployment. Seventeen overlapping channels are available for each of the A and B type systems.

## Provisioning the secondary frequency

The secondary frequency is used as a backup if the primary channel become unusable due to interference. Before choosing this frequency, perform an interference analysis using a spectrum analyzer. The channel should be clear of interference for the specific azimuth and deployment. Choose one of the seventeen channels in the channel plan.

## Provisioning transmitter power

Transmitter power is regulated by controlling the value of an attenuator in the transmit portion of the ODU. There are 32 values from 00 (minimum) to 1F (maximum). Each HEX step changes the attenuation by 1 dB. The default system transmit attenuation is 15 dB.

## Provisioning the receive attenuator setting

The receive attenuator controls the signal level to the receiver input. Most systems operating over path lengths greater than one mile will require no extra attenuation in the receive path. Some installations, including those with large antennas, may require additional receive attenuation. There are 16 values from 00 (minimum) to 1F (maximum). Each HEX step changes the attenuation by 2 dB. The default receive attenuation is 0 dB.

## Provisioning the transmit overlimit regulator

The SkyZhone 45 is equipped with a detector that monitors the actual transmit output level after the transmitter power amplifier. This enables the system to detect saturation of the power amplifier, which could cause the transmitter to exceed FCC maximum emission levels. If the ODU CPU detects the transmitter exceeding this level, the transmitter power amplifier will be shut down. There are three HEX settings for this detector that depend upon the antenna size.

## Enabling the RF power amplifier and LNA

This step in the provisioning initiates the RF transmission. The RF power amplifier and receive Low Noise Amplifier (LNA) are controlled by this command. Do not enable these amplifiers until the system is fully installed, the antennas are properly positioned, and there are no people in front of the radiating area of the antenna.



## The management interface

The SkyZhone 45 IDU has an RS-232 serial (Craft) interface for managing the system. To access the serial port you must first configure your VT-100 terminal (or computer with terminal emulation software) with these settings:

- 9,600 bps
- 8 data bits
- No parity
- 1 stop bit
- Hardware flow control

The IDU processes the configuration instructions and sends them to the ODU.

The cable provided by the installer that connects the serial port on the PC or terminal to the RS-232 (Craft) port on the IDU must have continuity between the wires connecting pins 2, 3, 5, 7 and 8 between each connector. Do not use a null modem on this cable. The pin configurations for the IDU and ODU are shown in Table 12:

**Table 12: RS-232 (Craft) port pin configuration**

Pin Number	Use
1	Not used
2	Data to terminal
3	Data from terminal
4	Not used
5	Ground
6	Not used
7	RTS
8	CTS
9	Ground

## Power-up indications

When power is applied to the SkyZhone 45 system, there is an approximate 45 second wait, and then the following screen displays.



**Note:** The VxWorks System version number, the bootrom version number and the Generic System Image version number are provided

for reference to software engineers and do not refer to the ODU software version.

---

VxWorks OperatingSystem version 5.4

Copyright 2001 Zhone Technologies, Inc.

```
CPU: SkyZhone45 Indoor Unit IDU
Bootrom version 1.0.1
Created on February 28, 2001 13:41:24
Console Test.....Passed
Loading the generic system image Please wait...
The image in boot area is good
```

```
Generic system image load completed
Generic system image booting. Please wait...
```

```
CPU: SkyZhone45 Indoor Unit (IDU)
Generic System Image version 1.0.0.0
SkyZhone45....Beaming your way.....
Starting SkyZhone45.
Created on Mar2 2001, 00:09:26
```

```
SkyZhone45 Indoor Unit (IDU) is powering on the Outdoor
Unit (ODU), waiting one second...
SkyZhone45 system is ready for operation.
SkyZhone45 is monitoring the line interfaces.
```

```
SkyZhone45: Indoor Unit - DS3 Line RX LOS Alarm Set SA
SkyZhone45: Indoor Unit - Radio Link RX OOL Alarm Cleared
NSA
SkyZhone45: Console running...
-ODU->
```

After the system is initialized, the -ODU-> prompt displays and the system is ready to be provisioned.

## Error Messages

When the ODU receives a command it cannot process, it may not respond, or, it may return an error message. If there is no response, the command was entered incorrectly. If either of the sample messages below is returned, the command was not processed and has to be resent.

```
>BCC_ _ERR
-ODU->
```

This message means that part of the command was garbled between the IDU and the ODU. Repeated messages like this indicate that the communications link between the IDU and the ODU is not working properly.

```
>SYN_ _ERR
-ODU->
```

This message indicates that a command preceded by ODU@ was incorrect.

If there is no ODU connected to the IDU, or if the cable is bad, the following message will be returned:

```
-ODU->Communications fault to/from ODU....Please check ODU cable.
```

When communications are restored between the ODU and IDU, this message will display:

```
-ODU->Communication fault to/from ODU restored
```

## Provisioning overview

The RS-232 interface on the IDU is used to provision the ODU. The following rules apply to the commands:

- All of the commands are in uppercase letters.
- The first character of the twelve character sequence command is always @.
- The last two keystrokes are always an exclamation mark (!) and the Enter key, and look like this:  
! <Enter>

## Commands

### Setting the primary frequency

This command sets one of the A01 through A17 or B01 through B17 channels as the primary frequency. A system with an A variant ODU will not accept a B channel assignment command, and a B variant ODU will not accept A variant channels.

The default channel setting on factory shipped ODUs is channel 03. A variants will be shipped on A03. B variants will be shipped on B03.

The following example sets the primary channel as A08:

```
@ S F 0 P A 0 0 8 ! <Enter>
```

The first three characters @ S F begins the command string for set frequency.

The fourth character, 0, defines the unit number, which is always zero.

The fifth character, P, indicates that the primary channel is being programmed.

The sixth character, A, indicates a terminal with an A variant ODU is being provisioned.

The seventh character, 0, is has no function.

The eighth and ninth characters, **0 8**, set the channel number.

The last two keystrokes of the command are **! <Enter>**.

## Setting the secondary frequency

This command sets one of 17 channels A01 through A17 or B01 through B17 as the secondary frequency. A system with an A variant ODU will not accept a B channel assignment command, and a B variant ODU will not accept A variant channels.

The default secondary channel setting on factory shipped ODUs is channel 15. “A” variants will be shipped on A15. “B” variants will be shipped on B15.

The following example sets the secondary channel to B13.

```
@ S F 0 S B 0 1 3 ! <Enter>
```

The first three characters **@ S F** begins the command string for Set Frequency.

The fourth character, **0**, defines the unit number, which is always zero.

The fifth character, **S**, indicates that the secondary channel is being programmed

The sixth character, **B**, indicates that a B variant ODU is being provisioned.

The seventh character, **0**, is has no function.

The eighth and ninth characters, **1 3**, set the channel number.

The last two keystrokes of the command are **! <Enter>**.

## Channel center frequencies

Table 13 provide the channel center frequencies. Note that channels are overlapping. Center frequency of each channel is 5 MHz from the next channel. Occupied bandwidth is about 17 MHz and a 5 MHz guard band between occupied spectrum is recommended. Systems on parallel paths should use channels with center frequencies separated by 25 MHz. Using opposite polarization and angular (azimuth) differences allows use of closer spacing.

**Table 13: Channel Center Frequencies**

Channel	Transmit center frequency	Receive center frequency	Channel	Transmit center frequency	Receive center frequency
A01	5.735 GHz	5.260 GHz	B01	5.260 GHz	5.735 GHz
A02	5.740 GHz	5.265 GHz	B02	5.265 GHz	5.740 GHz
A03	5.745 GHz	5.270 GHz	B03	5.270 GHz	5.745 GHz
A04	5.750 GHz	5.275 GHz	B04	5.275 GHz	5.750 GHz

Table 13: Channel Center Frequencies (Continued)

Channel	Transmit center frequency	Receive center frequency	Channel	Transmit center frequency	Receive center frequency
A05	5.755 GHz	5.280 GHz	B05	5.280 GHz	5.755 GHz
A06	5.760 GHz	5.285 GHz	B06	5.285 GHz	5.760 GHz
A07	5.765 GHz	5.290 GHz	B07	5.290 GHz	5.765 GHz
A08	5.770 GHz	5.295 GHz	B08	5.295 GHz	5.770 GHz
A09	5.775 GHz	5.300 GHz	B09	5.300 GHz	5.775 GHz
A10	5.780 GHz	5.305 GHz	B10	5.305 GHz	5.780 GHz
A11	5.785 GHz	5.310 GHz	B11	5.310 GHz	5.785 GHz
A12	5.790 GHz	5.315 GHz	B12	5.315 GHz	5.790 GHz
A13	5.795 GHz	5.320 GHz	B13	5.320 GHz	5.795 GHz
A14	5.800 GHz	5.325 GHz	B14	5.325 GHz	5.800 GHz
A15	5.805 GHz	5.330 GHz	B15	5.330 GHz	5.805 GHz
A16	5.810 GHz	5.335 GHz	B16	5.335 GHz	5.810 GHz
A17	5.815 GHz	5.340 GHz	B17	5.340 GHz	5.815 GHz

## Setting the transmit signal strength

Transmit power output level is controlled by the length of the IDU/ODU connecting cable and by the transmit attenuator setting. The length of the cable that connects the IDU and OCU must be considered when the power setting is selected.

Table 14 is based on a 100 ft cable length. If the cable length is 50 ft, transmit power must be decreased by 3 dB. If the cable is 200 ft long, increase the transmit power by 3 dB. If it is 300 ft long, increase the transmit power by 6 dB.

This command programs the transmit attenuator in the ODU. The HEX setting 00 is for full power and 1F is for full attenuation. This establishes the antenna output power. Table 14 shows the output in dBm and the resultant Effective Isotropic Radiated Power (EIRP) for all three antenna sizes. EIRP is calculated by subtracting 1 dB loss in the antenna cable from the antenna gain.



**Caution:** If a message displays “Not Allowed” then that attenuator setting cannot be used with the antenna. The installer is legally responsible for using an appropriate output power setting.

This example sets the transmit attenuator for a TX output of -2dBm at the antenna port:

```
@ S T 0 0 0 0 0 A ! <Enter>
```

The first three characters **@ S T** begin the command string for the **Set Transmit Signal Strength** command.


The fourth character, **0**, defines the unit number, which is always zero.

The fifth through seventh characters are **0**.

The eighth and ninth characters, **0 A**, set the HEX attenuation value (see Table 14).

The last two keystrokes of the command are **! <Enter>**.

**Table 14: Transmit signal strength**

Attenuator setting (HEX)	TX output at the antenna port	EIRP using 2' antenna (29 dB gain)	EIRP using 4' antenna (33 dB gain)	EIRP using 6" antenna (37 dB gain)
00	+7 dBm	Not allowed	Not allowed	Not allowed
 <b>Caution:</b> The attenuator setting “00” should only be used during ODU testing. The antennas offered with SkyZhone 45 provide more EIRP at this power setting than allowed for operation in the United States under Part 15.407 of the FCC rules.				
06	+2 dBm	+30 dBm	Not allowed	Not allowed
07	+1 dBm	+29 dBm	Not allowed	Not allowed
08	0 dBm	+28 dBm	Not allowed	Not allowed
09	-1 dBm	+27 dBm	Not allowed	Not allowed
0A	-2 dBm	+26 dBm	+30 dBm	Not allowed
0B	-3 dBm	+25 dBm	+29 dBm	Not allowed
0C	-4 dBm	+23 dBm	+28 dBm	Not allowed
0D	-5 dBm	+22 dBm	+27 dBm	Not allowed
0F	-6 dBm	+21 dBm	+26 dBm	+30 dBm
10	-7 dBm	+20 dBm	+25 dBm	+29 dBm
11	-8 dBm	+19 dBm	+24 dBm	+28 dBm
12	-9 dBm	+18 dBm	+23 dBm	+27 dBm
HEX values between 13 and 1F will set transmit power below useful levels.				
1F (maximum)	-24 dBm	+4 dBm	+8 dBm	+12 dBm

## Setting the receive signal attenuation

This command programs the receive attenuator in the ODU, HEX setting 00 for no attenuation and 1F for maximum attenuation. It is usually set at 00 for maximum receive ability but can be adjusted for each link. If the link is short the received signal may need to be reduced.

The following example adds 6 dB of attenuation to the receive path within the ODU:

```
@ S R 0 0 0 0 0 4 ! <Enter>
```

The first three characters @ S R begin the command string for set receive attenuation.

The fourth character, 0, defines the unit number, which is always zero.

The fifth through seventh characters are 0.

The eighth and ninth characters, 0 4, set the HEX attenuation value (see Table 15).

The last two keystrokes of the command are ! <Enter>.

Table 15 shows the attenuation in Db. The resultant receive level at the antenna is -80 dBm, before antenna gains. (The high signal level is only on the shortest paths.) Calculations are based on antenna gain plus 1 dB loss in the Zhone-supplied antenna cable. If the Receive Signal Level (RSL) is calculated to be above -40 dBm, attenuation should be added using this command. The SkyZhone 45 will perform best with a RSL between -50 and -60 dBm.

**Table 15: Receive attenuation settings**

Attenuator setting (HEX)	Attenuation inserted into receive path	RSL at receiver using 2' antenna (29 dB gain)	RSL at receiver using 4' antenna (33 dB gain)	RSL at receiver using 6' antenna (37 dB gain)
00	0 dB	-52 dBm	-48 dBm	-44 dBm



**Caution:** The attenuator setting “00” should only be used during ODU testing. The antennas offered with SkyZhone 45 provide more EIRP at this power setting than allowed for operation in the United States under Part 15.407 of the FCC rules.

02	-2 dB	-54 dBm	-50 dBm	-46 dBm
03	-4 dB	-56 dBm	-52 dBm	-48 dBm
04	-6 dB	-58 dBm	-54 dBm	-50 dBm
05	-8 dB	-60 dBm	-56 dBm	-52 dBm
06	-10 dB	-62 dBm	-58 dBm	-54 dBm
07	-12 dB	-64 dBm	-60 dBm	-56 dBm
08	-14 dB	-66 dBm	-62 dBm	-58 dBm
09	-16 dB	-68 dBm	-64 dBm	-60 dBm
0A	-18 dB	-70 dBm	-66 dBm	-62 dBm
0B	-20 dB	-72 dBm	-68 dBm	-64 dBm
0C	-22 dB	-74 dBm	-70 dBm	-66 dBm

Table 15: Receive attenuation settings (Continued)

Attenuator setting (HEX)	Attenuation inserted into receive path	RSL at receiver using 2' antenna (29 dB gain)	RSL at receiver using 4' antenna (33 dB gain)	RSL at receiver using 6' antenna (37 dB gain)
0D	-24 dB	-76 dBm	-72 dBm	-68 dBm
0E	-28 dB	-78 dBm	-74 dBm	-70 dBm
0F	-30 dB	-80 dBm	-76 dBm	-72 dBm
10	-32 dB	-82 dBm	-78 dBm	-74dBm
15	-42 dB	Below receive threshold	-88 dBm (receive sensitivity for $10^{-8}$ BER)	-84 dBm
1F (maximum)	-62 dB	Below receive threshold	Below receive threshold	Below receive threshold

## Setting the transmit signal strength threshold

This command programs the KTSSI byte in the ODU which provides a comparison limit to the transmit power seen within the ODU. If the transmitted power exceeds this value, the ODU CPU will automatically turn off the power amplifier.

The following example sets the transmit comparison level at the proper setting for a 4 foot antenna:

```
@ C T 0 0 0 0 0 E ! <Enter>
```

The first three characters, @ C T, begin the command string for the **compare transmit signal strength** command.

The fourth character, 0, defines the unit number, which is always zero.

The fifth and sixth characters, y y, set the attenuation value (see Table 16).

The last two keystrokes of the command are ! <Enter>.

Table 16: Transmit threshold settings

	2 ft antenna	4 ft antenna	6 ft antenna
HEX Setting	94	85	7E

## Setting the amplifiers ON

This command enables the power to the receive and transmit amplifiers, allowing the link to operate. After this command is given the ODU will begin transmitting, and the receiver will look for received signal.





**WARNING! Do not perform this command unless the antenna is clear of people, properly mounted, and connected to the ODU**

The following example sets the transmit and receive amplifiers to ON :

```
@ S A 0 O N 0 0 0 ! <Enter>
```

The first three characters @ S A begins the command string for the **set amplifiers** command.

The fourth character, **0**, defines the unit number, which is always zero.

The fifth and sixth characters are O N (letters), which set the amplifiers to ON.

The seventh, eighth and ninth characters are 0.

The last two keystrokes of the command are ! <Enter>.

## Setting the amplifiers OFF

This command turns off the power to the receive and transmit amplifiers, disabling the link.

The following example sets the transmit and receive amplifiers to OFF:

```
@ S A 0 O F 0 0 0 ! <Enter>
```

The first three characters @ S A begin the command string for the **set amplifiers** command.

The fourth character, **0**, defines the unit number, which is always zero.

The fifth and sixth characters are O F (letters) which set the amplifiers to OFF.

The seventh, eighth and ninth characters are 0.

The last two keystrokes of the command are ! <Enter>.

## Verifying the installation

After the provisioning is complete, the link should be transmitting, and if the antennas are properly aligned, a link will automatically be established. The front panel LEDs should look like the image below (assuming that DS-3 data is not yet being sent), indicating that a signal is being transmitted and

received.



After a link is established and the antenna alignment is complete, the status of the ODU including RSSI can be read using the **dump status** command.

## The QuickStatus command

The **QuickStatus** command lets you check system status and verify system configuration.

Enter the @ sign, ? and <Enter> at the -ODU-> prompt. The screen that is returned is shown below, and Table 17 explains what the output means.

```
-ODU->@?
ZHONE TECHNOLOGIES, INC.
VERSION 1.0.4
SERIAL#xxxxxxType A
RSSI=xx KRSSI=xx
TSSI=xx KTSSI=xx
TX ATTEN=xx RX ATTEN=xx
PRIFREQ=xxx SECFREQ=xxx
CURFREQ=xxx
TEMP=xx KTEMP=xx
LOCK=YES
PA/LNA=OFF
LOOP=OFF
VMON=ALERT
Enter Command:
-ODU->
```

Responses indicated by xxx vary with the system settings.

**Table 17: Status readout**

Response	Meaning
ZHONE TECHNOLOGIES INC.	The manufacturer of the ODU.
SERIAL# _ 00000 _TYPE_A	The serial number of the ODU and whether it is a Type A or Type B variant.
RSSI = 00	A HEX value for RSSI.
KRSSI=20	The HEX setting for receive threshold constant is set at 20.

Table 17: Status readout

Response	Meaning
TSSI = _00	A HEX value for TSSI, which is the current transmit output level. This should be less than the Transmit Signal Strength Threshold.
KTSSI=20	The HEX setting for transmit threshold constant is currently 20
PRIFREQ=A01	The primary frequency is channel A01
SECFREQ=A13	The secondary frequency is channel A13
TEMP=_00	A HEX value for the current temperature inside the IDU.
KTEMP=20	The HEX setting for the temperature constant is 20.
FREQ= _000	The current channel setting, which may be the PRIMARY or SECONDARY frequency.
LOCK=_YES	Gives condition of frequency lock. Normal is “YES” and the other indication is “NO”.
PA=_ON	Gives status of power amplifier. Normal is “ON” and the other indication is “OFF”.
LOOP=_OFF	Indicates if Loop Back testing is in progress. Normal is “OFF” and the other indications is “ON”.
VMON=_OK	Indicates voltage monitors are operational. Normal is “OK” and the other indication is “ALT” for Alert.

DRAFT

# 5 SYSTEM MAINTENANCE

This chapter describes basic system maintenance. It contains the following sections:

- Physical maintenance, page 53
- Diagnostics using the b byte, page 53
- IDU LEDs, page 55

## Physical maintenance

The SkyZhone 45 system does not require any regular maintenance but it is important that you monitor the radio link at regular intervals to make sure that the radio and all the link components are operating properly and that the link conditions have not changed.

Because the antenna and ODU are exposed to the elements and are often in locations where others can access them, they should be inspected on a regular basis. Regularly check these things:

- Antenna mounting hardware. This can be vibrated loose by the wind.
- Cables. Connecting cables that are exposed on rooftops can be cut when walked on.
- Cables that cross rooftops covered in crushed rock over tar can be cut by the sharp stones if someone walks on them.

## Diagnostics using the b byte

After each full length command the system is given, the ODU answers with a response that contains the first character of the command. The second character is the b byte, which is a way to measure SkyZhone 45 system status. The response from the ODU looks like this example:

```
> s b 0 0 0 0 0 x
```

The third character is the b byte. This HEX character displays information about the status of the ODU. The b byte should be 0 (zero) when the system is operating normally. The higher the HEX indication, the more severe the condition. The tenth character in this response is a check-sum digit, which may vary. The other digits in the response are not significant.

**Table 18: b byte readout explanation**

<b>b byte character</b>	<b>Indication</b>	<b>Possible solution</b>
0	All OK	Not applicable.
1	Indicate one or more of these conditions exists in the ODU: Loopback is on. No frequency set. Power amplifier not on. System in diagnostic mode. System in initialization sequence.	Perform status dump for details. Double-check that provisioning was performed correctly.
2	Indicates that the preset limits for one or more of the following have been exceeded: KTEMP ODU-Over-temperature. KTSSI-Transmit Signal Strength Threshold. KRSSI-Minimum receive level.	Perform status dump for details. The ODU processor will turn off the transmit amplifier. Check the ODU temperature Check that the KTSSI setting is proper for the power setting and antenna. If RSSI is too low, check the antenna alignment and the antenna cable. Double-check that provisioning was performed correctly.
3	Indicates a combination of conditions indicated by 1 and 2.	See 1 and 2 for solutions.
4	Indicates that one (or more) of the ODU voltages the system is monitoring is out of tolerance.	Ensure IDU-ODU cable is properly installed with tight connections. Double-check that provisioning was performed correctly. If failure continues contact Zhone GSS
5	Conditions indicated by 1 plus an ODU voltage problem.	See solutions for 1 and 4 above.
6	Not applicable	
7	Indicates a combination of the conditions indicated by 1 and 2 plus a voltage problem.	See solutions for 1, 2, and 4.
8	Indicates a synthesizer unlock condition.	Double-check that provisioning was performed correctly. If failure continues, contact Zhone GSS.
9	Indicates a combination of one of the conditions indicated by 1 plus synthesizer unlock.	Perform status dump for details. Double-check that provisioning was performed correctly. If failure continues contact Zhone GSS

**Table 18: b byte readout explanation (Continued)**

<b>b byte character</b>	<b>Indication</b>	<b>Possible solution</b>
A	Not applicable	
B	Indicates a combination of the conditions indicated by “1” and “2” plus synthesizer unlock.	Likely a fatal error. Contact Zhone GSS
C	Indicates a combination of voltage problems plus synthesizer unlock.	Likely a fatal error. Contact Zhone GSS
D	Indicates a combination of conditions in “1”, voltage problems and synthesizer unlock.	Likely a fatal error. Contact Zhone GSS
E	Not applicable	
F	Indicates a major failure	Likely a fatal error. Contact Zhone GSS

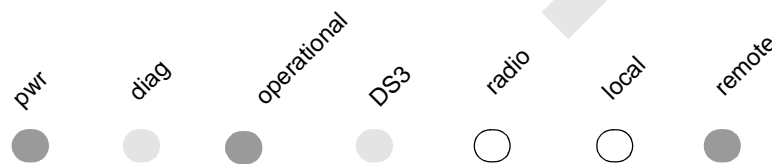
## IDU LEDs

The IDU has a seven LED display on the front panel. Error indications are described below.

### Local DS3 failure

When the Local DS3 line has failed, the LED appears as shown in Figure 16.

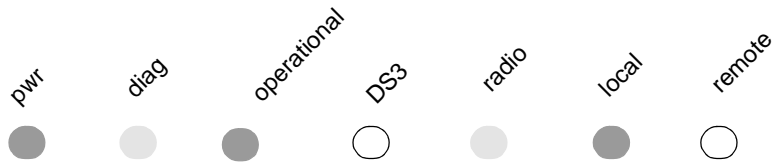
**Figure 16: Local DS3 failure LED display**



### Remote radio failure

When the radio has failed, the LED display appears as shown in Figure 17.

Figure 17: Remote radio failure



## Local environmental alarms

When there are environmental alarms, the LED display appears as shown in Figure 18.

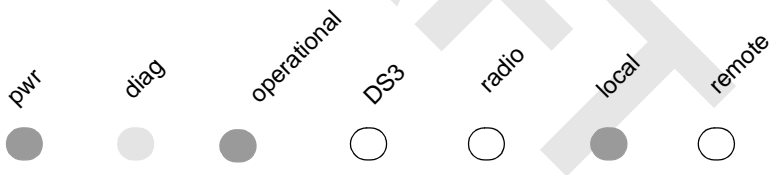
Figure 18: Local environmental alarms



## Remote loopback test indication

When a remote loopback test is being executed, the LED display appears as shown in Figure 19.

Figure 19: Remote loopback test indication



## DS3 loop back/link testing

TBD

## Error messages

TBD