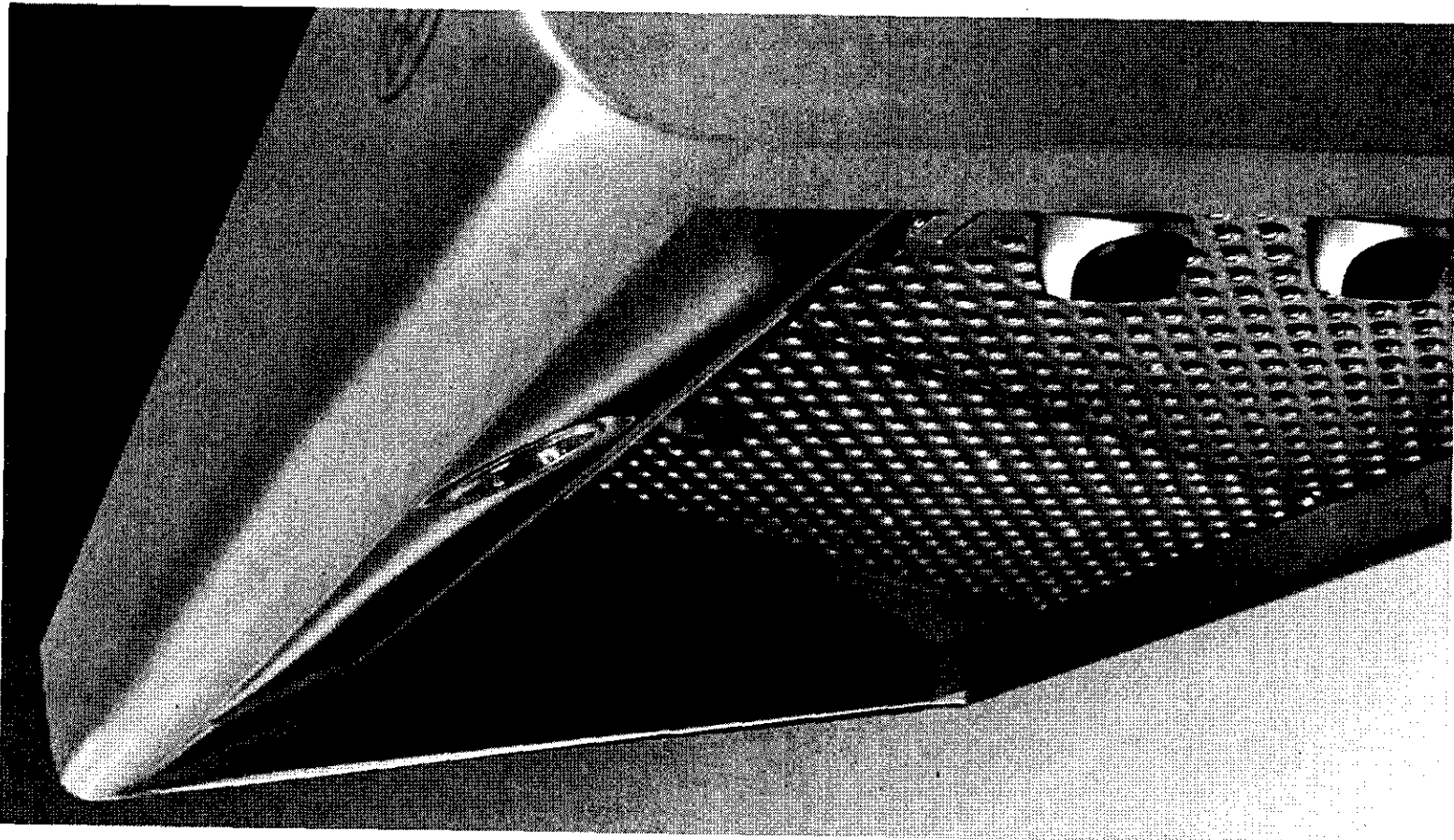




# THE PROFESSIONAL AND EURO VENT HOOD

## Installation Guide



### MODELS:

VS30	VS1236
VS36	ES30
VS48	ES36



# A MESSAGE TO OUR CUSTOMERS

---

Thank you for selecting this DCS Professional Vent Hood. Because of this appliance's unique features we have developed this Installation Guide. It contains valuable information on how to properly install your new appliance for years of safe and enjoyable cooking. Keep this guide handy, as it will help answer questions that may arise as you use your new appliance.

For your convenience, product questions can be answered by a DCS Customer Care Representative by phone: 1-888-281-5698, email: [support@dcsappliances.com](mailto:support@dcsappliances.com), or by mail:

Fisher & Paykel Appliances, Inc.  
Attention: DCS Customer Care  
5900 Skylab Road  
Huntington Beach, CA 92647

[www.dcsappliances.com](http://www.dcsappliances.com)

---

**APPROVED FOR INDOOR COOKING APPLIANCES AND RESIDENTIAL USE ONLY.**

**PLEASE READ ENTIRE INSTRUCTIONS BEFORE PROCEEDING.**  
**Installation must comply with all local codes.**

---

 **WARNING**

If the information in this manual is not followed exactly, a fire or explosion may result causing property damage, personal injury or death. Do not store or use gasoline or other flammable vapors and liquids in the vicinity of this or any other appliance.

---

 **WARNING**

To reduce the risk of injury to persons in the event of a rangetop grease fire, observe the following: Turn burner off first. Smother flames with a close-fitting lid, cookie sheet, or metal tray. Be careful to prevent burns. If the flames do not go out immediately evacuate and call the fire department. Never pick up a flaming pan - You may be burned. **DO NOT USE WATER**, including wet dishcloths or towels - a violent steam explosion will result. Use an extinguisher **ONLY** if:

- 1) You know you have a Class ABC extinguisher, and you already know how to operate it.
- 2) The fire is small and contained in the area where it started.
- 3) The fire department is being called.
- 4) You can fight the fire with your back to an exit.

---

 **SAFETY WARNING:**

Turn off power circuit at service panel and lock out panel, before wiring this appliance.  
Requirement: 120 V AC, 60 Hz. 15 A (minimum) Branch Circuit

**PLEASE RETAIN THIS MANUAL FOR FUTURE REFERENCE.**

# A MESSAGE TO OUR CUSTOMERS

---

## **FOR YOUR SAFETY**

### *If You Smell Gas:*

- *Do not try to light any appliance.*
- *Do not touch any electrical switch; do not use any phone in your building.*
- *Immediately call your gas supplier from a neighbor's phone. Follow the gas supplier's instructions.*
- *If you cannot reach your gas supplier, call the fire department.*
- *Installation and service must be performed by a qualified installer, service agency or the gas supplier.*

## TABLE OF CONTENTS

---

SAFETY PRACTICES.....	3-5
PRODUCT DIMENSIONS.....	6
PARTS .....	7
BEFORE INSTALLING HOOD .....	8-9
INSTALLATION .....	10-15
Wall Mount Installation.....	10-12
Cabinet Installation.....	13-14
Integral Ventilator Installation.....	15
HOW TO OBTAIN SERVICE.....	16
WARRANTY .....	17

# SAFETY PRACTICES AND PRECAUTIONS

---

---

## **CAUTION:**

*For general ventilating use only. **DO NOT** use to exhaust hazardous or explosive materials or vapors.*



## **WARNING:**

*To reduce the risk of fire, electrical shock, or injury to persons, observe the following :*

- A. Use this unit only in the manner intended by the manufacturer. If you have questions, contact the manufacturer.
- B. Before servicing or cleaning the unit, switch power off at service panel and lock service panel disconnecting means to prevent power from being switched on accidentally. When the service disconnecting means cannot be locked, securely fasten a prominent warning device, such as a tag, to the service panel.
- C. Installation work and electrical wiring must be done by qualified person(s) in accordance with all applicable codes & standards, including fire-rated construction.
- D. Sufficient air is needed to maintain proper combustion and safe exhausting of gases through the flue (chimney) of fuel burning equipment to prevent backdrafting. Follow the heating equipment manufacturers guideline and safety standards such as those published by the National Fire Protection Association (NFPA), the American Society for Heating, Refrigeration and Air Conditioning Engineers (ASHRAE), and the local code authorities.
- E. When cutting or drilling into wall or ceiling, do not damage electrical wiring and other hidden utilities.
- F. Ducted systems must always be vented to the outdoors.

---

## **CAUTION:**

*To reduce the risk of fire and to properly exhaust air, be sure to duct air to outside. Do not vent exhaust air into spaces within walls or ceiling, nor into attics, crawl spaces, or garages.*



## **WARNING:**

*To reduce the risk of fire, use only metal duct work.*

Install this hood in accordance with all requirements specified.



## **WARNING:**

*To reduce the risk of fire or electric shock, do not use this hood with any external solid state speed control device.*

# SAFETY PRACTICES & PRECAUTIONS

---

## **WARNING:**

*To reduce the risk of a range top grease fire:*

- A. Never leave surface units unattended at high settings. Boilovers cause smoking and greasy spillovers that may ignite. Heat oil slowly on low or medium settings.
- B. Always turn hood "ON" when cooking at high heat or when flambeing food (i.e. Crepes Suzette, Cherries Jubilee, Peppercorn Beef Flambe').
- C. Clean ventilating fans frequently. Grease should not be allowed to accumulate on fan or filter.
- D. Use proper pan size. Always use cookware appropriate for the size of the surface unit.

## **WARNING:**

*To reduce the risk of injury to persons, in the event of a range top grease fire, observe the following:*

- A. SMOTHER FLAMES with a close-fitting lid, cookie sheet, or other metal tray, then turn off the gas burner or the electric element. BE CAREFUL TO PREVENT BURNS. If the flames do not go out immediately, EVACUATE AND CALL THE FIRE DEPARTMENT.
- B. NEVER PICK UP A FLAMING PAN - you may be burned.
- C. DO NOT USE WATER, including wet dishcloths or towels - a violent steam explosion may result. DO NOT use water on a grease fire. Burning grease and water will explode.
- D. Use an extinguisher ONLY if:
  - 1) You know you have a class ABC extinguisher, and you already know how to operate it.
  - 2) The fire is small and contained in the area where it started.
  - 3) The fire department is being called.
  - 4) You can fight the fire with your back to an exit.

**NOTE:** Unit **MUST** be vented to the outside of the building.

**IMPORTANT:** Refer to ducting information supplied in this Manual ( Pg. 9)

## **WARNING:**

*To reduce the risk of electrical shock or injury to persons, all vent hoods must be installed with ventilators that have been approved for use with the hood.*

# SAFETY PRACTICES & PRECAUTIONS

---

This Vent Hood system is designed to remove smoke, cooking vapors and odors from the cooktop area.

---

 **WARNING:**

*All wall and floor openings where the vent hood is installed must be sealed.*

Consult the cooktop or range installation instructions given by the manufacturer before making any cutouts. **MOBILE HOME INSTALLATION-** The installation of this Hood must conform to the Manufactured Home Construction and Safety Standards, Title 24 CFR, Part 3280 (formerly Federal Standard for Mobile Home Construction and Safety, Title 24, HUD, Part 280). Three wire power supply must be used and the appliance wiring must be revised. See electrical requirements on page 1.

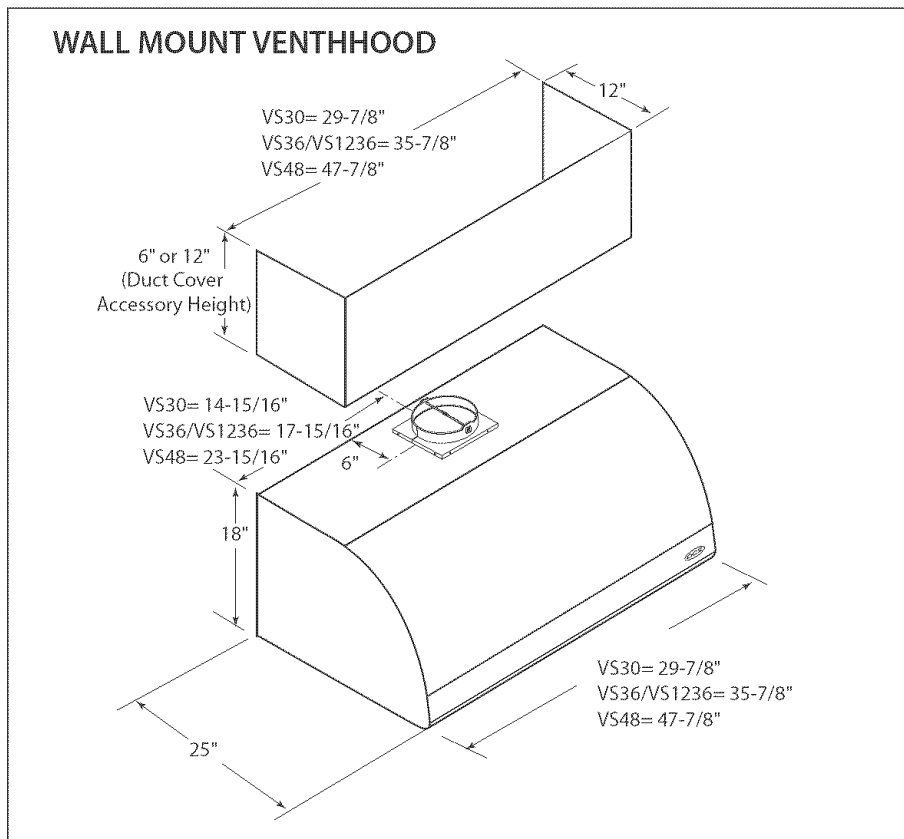
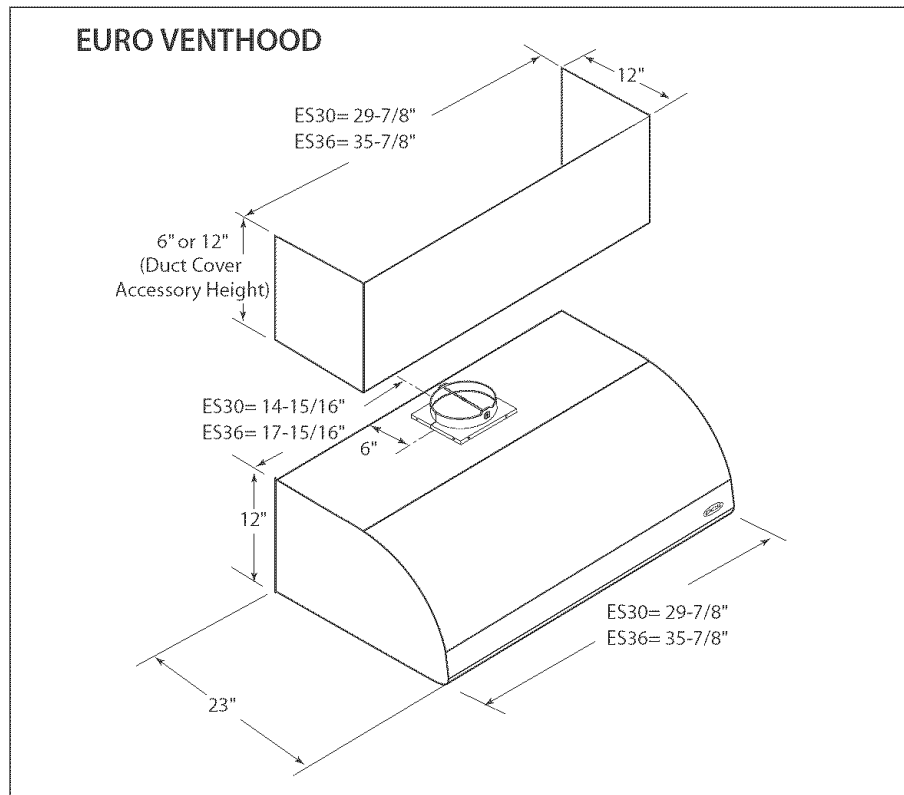
- DO NOT use 4" laundry-type wall caps.
- Flexible-type ductwork is not recommended.
- DO NOT obstruct the flow of combustion and ventilation air. Be sure a fresh air supply is available.
- Failure to follow venting requirements may result in a fire.
- Electrical ground is required on this Hood.
- If cold water pipe is interrupted by plastic, non-metallic gaskets or other materials, DO NOT use for grounding.
- DO NOT ground to a gas pipe.
- DO NOT have a fuse in the neutral or grounding circuit. A fuse in the neutral or grounding circuit could result in electrical shock.
- Check with a qualified electrician if you are in doubt as to whether the Hood is properly grounded.
- Failure to follow electrical requirements may result in a fire.
- Be sure all the range and/or cooktop controls are turned off and the appliance is cool before using any type of aerosol cleaner on or around the appliance. The chemical that produces the spraying action could, in the presence of heat, ignite or cause metal parts to corrode.
- Clean the ventilator hood and filters above the range or cooktop frequently so grease from cooking vapors does not accumulate on them.
- Service should only be done by authorized technicians. Technicians must disconnect the power supply before servicing this appliance.

---

 **WARNING:**

*California Proposition 65 - The burning of gas cooking fuel generates some by-products which are known by the State of California to cause cancer or reproductive harm. California law requires businesses to warn customers of potential exposure to such substances. To minimize exposure to these substances, always operate this unit according to the instructions contained in this booklet and provide good ventilation to the room when cooking with gas.*

# PRODUCT DIMENSIONS



# PARTS

---

## PARTS INCLUDED WITH YOUR HOOD

- Hood Canopy Assembly with Light Bulbs installed.
- Metal Transition with Back draft dampers (already installed on ES30, ES36, VS30, VS36 models)
- Use & Care /Installation Instructions
- Filters (quantity depending on model and size)
- Screws and Drywall Anchors
- Wooden Strip for Hood Support
- Drip Trays (quantity depending on model and size)
- Filter Trim Bracket (ES36 model only – Install on unit after electrical connections are completed on page 15)
- Integral Blower

## PARTS NOT INCLUDED WITH YOUR HOOD

- Ducting (See Page 9 for duct requirements: 8" or 10" Ø to be used.)
- Duct Tape
- 1/2" Conduit
- Wire Nuts
- Optional duct cover, 6" or 12" height
  - VDC1230 – 12" Duct cover kit for VS30/ES30
  - VDC1236 – 12" Duct cover kit for VS36/VS1236/ES36
  - VDC1248 – 12" Duct cover kit for VS48
  - VDC630 – 6" Duct cover kit for VS30/ES30
  - VDC636 – 6" Duct cover kit for VS36/VS1236/ES36
  - VDC648 – 6" Duct cover kit for VS48
- Optional IR Kit + support bracket (Infrared bulbs included. Use only bulbs mod. 175R-PAR, 175W maximum infrared bulbs).
  - IR30 – Kit with single 175 W heat lamp for VS30/ES30
  - IR36 – Kit with two 175 W heat lamp for VS36/VS1236/ES36
  - IR48 – Kit with two 175 W heat lamp for VS48



# BEFORE INSTALLING HOOD

---

1. For the most efficient air flow exhaust, use a straight run or as few elbows as possible. Maximum duct length is 40 feet, including elbows.

---

## **CAUTION:**

*Vent unit to outside of building only.*

2. Two people are necessary for installation.
3. The hood is fitted with Screws and Drywall Anchors suitable for most surfaces. Consult a qualified installer.
4. Do not use flex ducting.
5. COLD WEATHER installations should have an additional backdraft damper installed to minimize the back flow of cold air and nonmetallic thermal break to minimize conduction of outside temperatures as part of the ductwork. The damper should be on the cold air side (outside wall) of the thermal break.

The break should be as close as possible to where the ducting enters the heated portion of the house.

6. Local building codes may require the installation of a make-up air system. Consult your HVAC professional for specific requirements in your area.
7. Hood installation height above cooktop is the users preference. Lower installation heights will improve the efficiency of capturing cooking odors, grease, and smoke. This hood has been approved for installation heights 30" above the cooktop. Taller people may find a 30" installation height is inconvenient. DCS recommends an installation height between 30" and 36".
8. ES30 and ES36 hood models are not recommended to be used over indoor range grills.
9. For installation over DCS Range and Cooktop models RGS-364GL or CS-364GL, the VS1236 model vent is recommended.
10. Make sure your range or cooktop is level.

## **TYPICAL INSTALLATION**

The hood can be installed using a wall mounting system or suspended under existing cabinetry in the kitchen. Ducting can be configured for both vertical and horizontal discharge.

If an infrared kit was purchased for installation with the hood, assemble the kit to the hood prior to installation.

For wall mount installations, duct cover kits can be purchased as spacers between hood and ceiling. Duct covers are assembled to unit after the hood is installed.

# BEFORE INSTALLING HOOD

## ELELCTRICAL

Install a 1/2" conduit from the service panel long enough to reach the hood once it is installed.

Branch circuit requirement is 120V, 60Hz, 15A(minimum).

## INFRARED LAMP AND PANEL KIT

Optional infrared lamp and panel kit can be ordered separately and mounted into your vent hood.

Models available: IR30, IR36 and IR48. See instructions supplied with kit for assembly to your hood.

### **WARNING**

*To avoid any electrical shock the installation of the IR lamp should be done by a qualified electrician and before starting the installation of the hood.*

## DUCTING

Hood models: ES30, ES36, VS30, VS36 are supplied with a starting collar and backdraft damper on top of the hood for connection to 8" round duct. Models: VS1236 and VS48 are supplied with a 10" round transition with damper and is assembled as shown in Fig. 3.

Vertical Discharge Figure

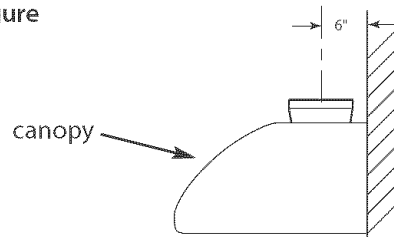


FIG. 1

Horizontal Discharge Figure

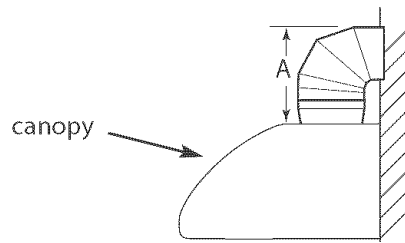


FIG. 2

FOR 90° ELBOW		A
10"		16"
8"		11"

Install ducting long enough to reach the transition once the hood is installed plus 1-1/2 inch to connect ductwork.

## ASSEMBLE TRANSITION TO HOOD (VS1236 and VS48 hoods only)

The transition supplied with the hood mounts to the top of the hood, Figure 3.

1. Place the transition piece over the hood exhaust and secure with 4 screws provided (Figure 3).
2. Duct tape connection between transition and hood.
3. Remove tape holding damper

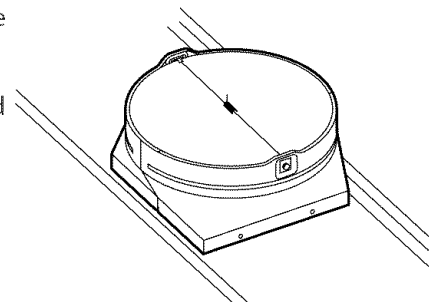
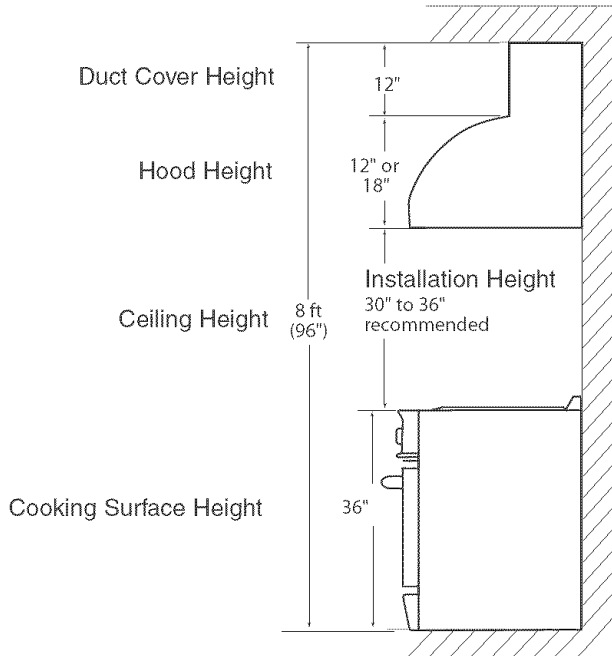


FIG. 3

## WALL MOUNT INSTALLATION

**Calculating Installation Height** – Installation height for a standard 8 ft high kitchen ceiling is shown below in Figure X. The minimum installation height allowed is 30". Typical installations are between 30" and 36".



Installation Height Figure X

Use the following formula to calculate installation height:

$$\text{Installation Height} = (\text{Ceiling Height}) - (\text{Height Cooktop Surface}) - (\text{Hood Height}) - (\text{Duct Cover Height})$$

$$(\text{Example: Installation height} = 96" - 36" - 18" - 12" = 30")$$

Hood Height = 12" for ES30 and ES36 models

18" for VS30, VS36, VS1236 and VS48 models

Duct Cover Height – Duct cover accessories are available in 6" or 12" heights. For taller ceilings duct covers can be joined together in any combination.

### 1. Hood Installation Height

After the hood installation height has been determined, draw a horizontal line at a distance above the cooktop equal to the desired hood installation height plus dimension "E" (see Table on Figure 4).

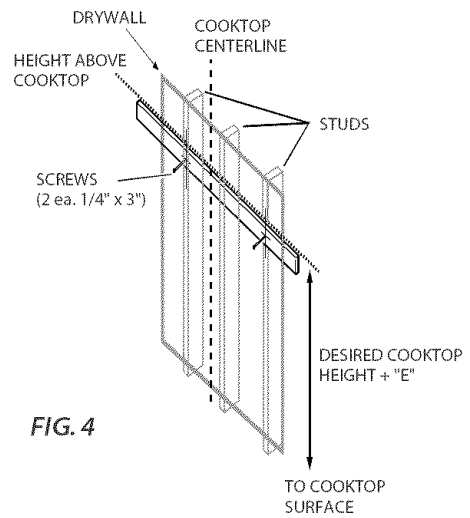
This line is the mounting location of the wooden bracket shipped with the hood.

2. Find the centerline of the cooktop. Draw a vertical line along this centerline up to the horizontal line drawn in step 1.
3. The hood is mounted to the wall using a wooden bracket shipped with the hood. Remove the bracket from the hood by removing two shipping screws. Mark the centerline of the bracket.

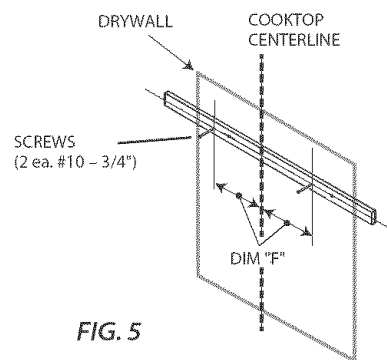
# INSTALLATION

4. Find studs behind the drywall by tapping the wall or using a stud finder. Locate one stud on either side of the cooktop centerline to use for mounting the wooden bracket as shown in Figure 4.
5. Align the top of the wood bracket along the horizontal line drawn in step 1. Align the centerlines of the bracket and cooktop.
6. Drill a 3" deep 1/8" hole through the wooden bracket, drywall and into the stud.
7. Use 2 to 4, 1/4" x 3" flat head wood screws to attach the bracket to the wall as shown in Figure 4. For support of longer hoods, use three or four studs as available. Countersink the heads to prevent interference with the hood.
8. On the wood bracket, mark the locations used to hang the hood according to Figure 5 and its Table.

HOOD MODEL	DIM. "E"
VS Series	15-1/2"
ES Series	10-3/8"



HOOD MODEL	DIM. "F"
VS Series	7-5/8"
ES Series	7-9/16"



# INSTALLATION

9. Drill a 1/8" hole through the wooden bracket and drywall. These screws do not need to go into the studs.
10. Screw two #10 X 3/4" pan head wood screws into the wood bracket, leaving 1/4" of the screw exposed for hanging the hood.
11. Hang the hood using slots I in Figure 6. Make sure the wood bracket fits into the recess on the back of the hood.
12. Level the hood and tighten screws in slot I.
13. From inside the hood, drive 4 or 6 #10 x 3/4" pan head wood screws (depending on model) through holes J into wooden bracket.
14. Fix duct to transition with screws and seal with duct tape. Screws must not hamper the damper.
15. Drill a 3/8" hole through the center of the holes K into the wall. Insert two wall plugs into drilled holes. Tighten hood to wall anchors by installing 2 screws with washers.

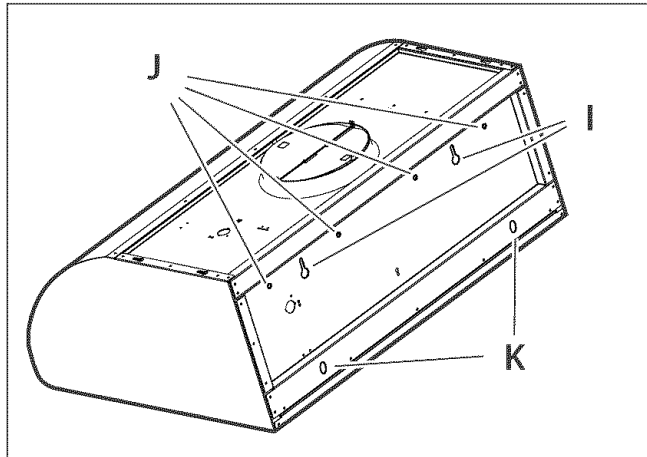


FIG. 6

*Go to page 14 to continue the installation.*

## ASSEMBLY AND INSTALLATION OF THE DUCT COVERS:

Optional duct covers shown in Figure 7 may be used to fill the space between the hood and ceiling in wall mount installations. 6" and 12" high duct covers are available and may be ordered separately.

1. If multiple duct covers are used, connect the pieces together using sheet metal screws provided with chimneys.
2. Attach the duct cover(s) to the hood using sheet metal screws as shown in Figure 7.

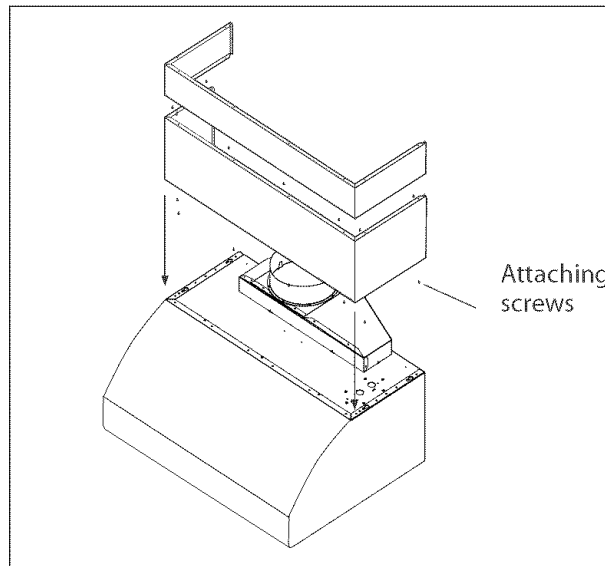


FIG. 7

# INSTALLATION

## CABINET INSTALLATION

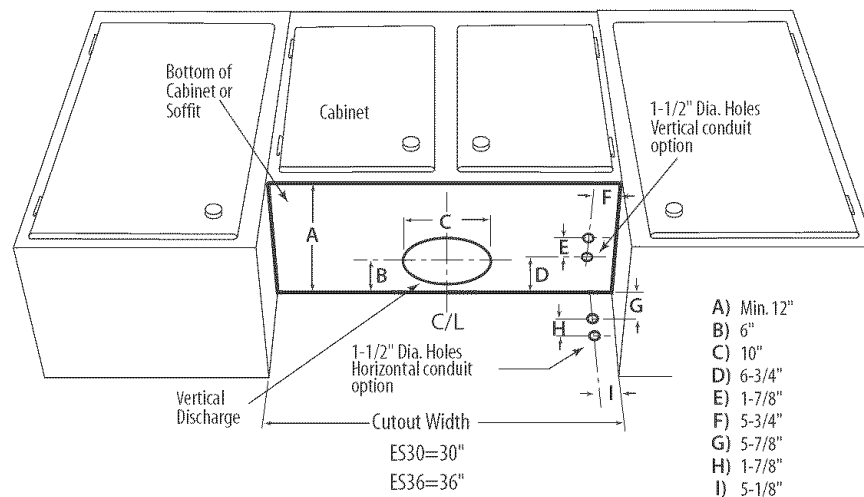
### Cabinet Preparation

**⚠ WARNING:**

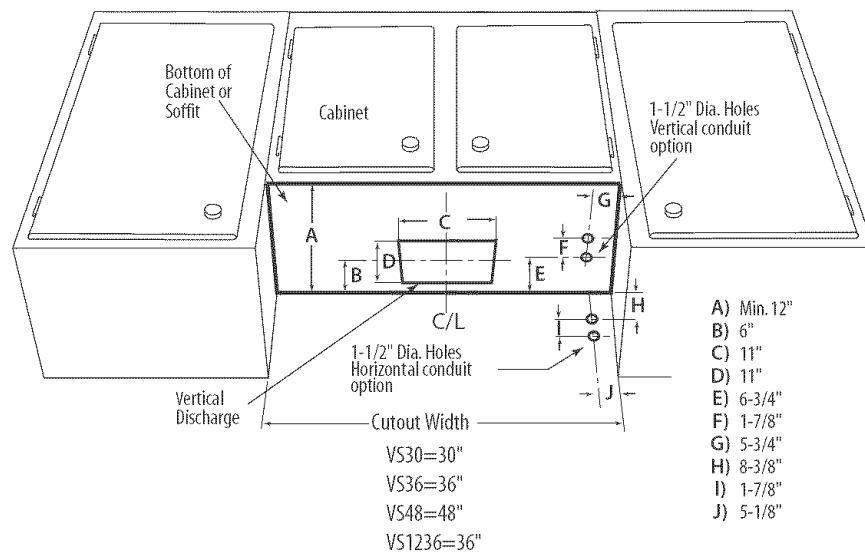
*The cabinet must be structurally joined to the wall studs to support the weight of this hood.*

### ES30/ES36 SERIES HOOD

### VS30/VS36 SERIES HOOD



### VS1236/VS48 SERIES HOOD



# INSTALLATION

## CABINET INSTALLATION

1. Find the centerline of the cabinet bottom. Draw a line along this centerline from rear to front of the cabinet.
2. Refer to the top of the hood and Fig. 8. Draw two lines, one at distance 'K' from the wall, the other one at distance 'Z' from the previous line. NOTE: These lines must be perpendicular to the cabinet centerline. Mark 4 points, two along each line at a distance of half W from the center line, to determine the screw locations.
3. Fit four #10 pan head wood screws on cabinet bottom. Do not tighten completely but leave a space of about 1/2" from cabinet bottom surface and screw heads.
4. Hang the hood on screws through side slots provided on hood top. Tighten the four screws.

Drill a 3/8" hole through the center of the holes K into the wall. Insert two wall plugs into drilled holes. Tighten hood to wall anchors by installing 2 screws with washers.

5. Attach duct to transition with screws and seal with duct tape. Screws must not hamper the damper.

### ES SERIES

	K	Z	W
ES30	2-11/16"	6-7/8"	29-1/16"
ES36	2-11/16"	6-7/8"	35-1/16"

### VS SERIES

	K	Z	W
VS30	2-5/8"	7-1/16"	29-1/16"
VS36/VS1236	2-5/8"	7-1/16"	35-1/16"
VS48	2-5/8"	7-1/16"	47-1/16"

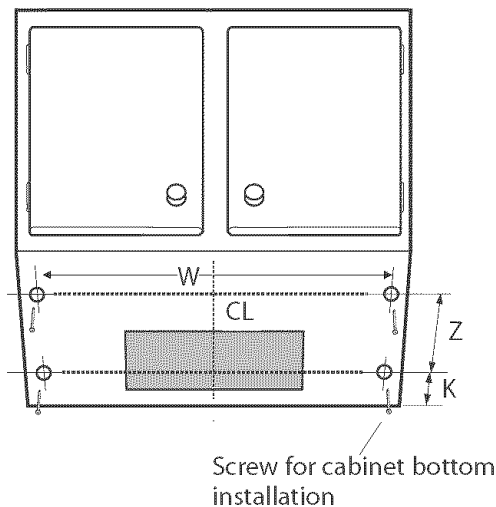
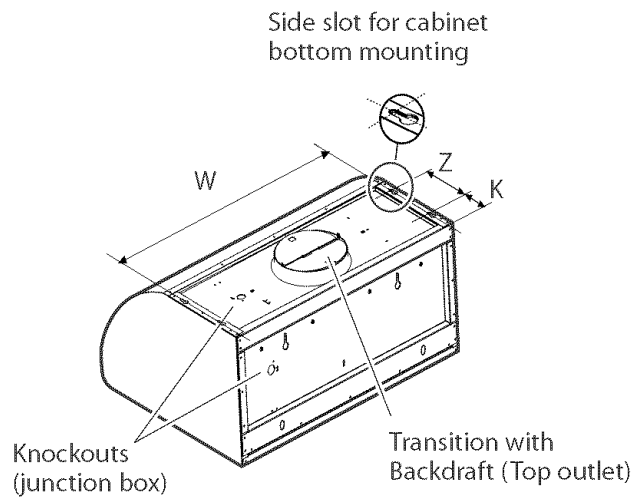


FIG. 8

# INSTALLATION

## INTEGRAL VENTILATOR INSTALLATION

The Integral Ventilator can be mounted to discharge air as shown in Figure 9. From the inside of the hood, slip motor into the bracket on the left. Rotate motor upwards until it snaps into the spring clip on the right.

**IMPORTANT:** Secure the motor to the hood with the machine screw and lock washer.

### WIRING THE HOOD:

 **WARNING:**

*Turn off electricity at the service panel before wiring the unit.  
Branch circuit requirement is 120V, 60Hz, 15A (minimum).*

1. Connect the Integral Ventilator moxex plug connector to the connector present inside the hood as shown in Figure 9 or Figure 10.
2. Remove the j-box cover as shown in Figure 11.
3. Remove 1 of 2 knockouts and install 1/2" conduit connector in j-box.
4. Run black, white, and green wires (#18 AWG) in 1/2" conduit from power supply to j-box.
5. Connect the black to black (hot line) wire, white to white (common line) wire and green/yellow wire to ground in j-box cover.
6. Close j-box cover.
7. For ES36 only: mount the filter trim bracket supplied on the right side of the hood. Check that all engage points perfectly match, then fix with 3 screws as shown in figure 12.

### Final installation steps

Replace filters and grease trays as described in the Use & Care manual. Turn power on at service panel. Check operation of the hood.

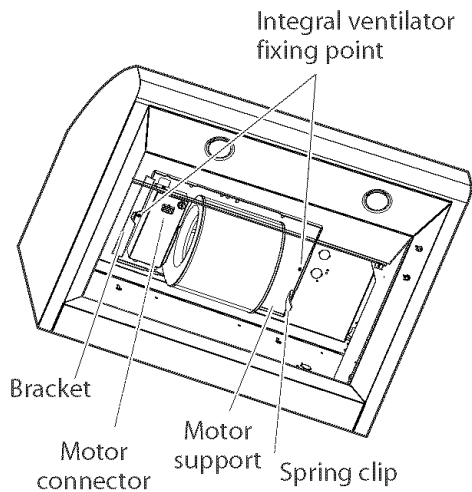
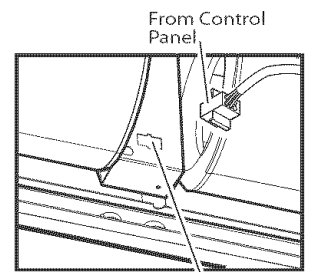


FIG. 9



Motor connector

FIG. 10

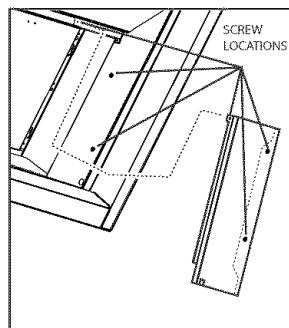


FIG. 12

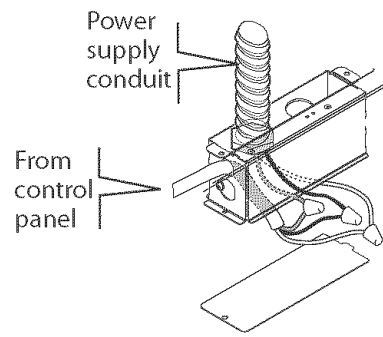


FIG. 11



# HOW TO OBTAIN SERVICE

---

## BEFORE YOU CALL FOR SERVICE

- Is the circuit breaker tripped or the fuse blown?
- Is there a power outage in the area?

For warranty service, please contact your local service provider or DCS Customer Care Representative at (888) 281-5698. Before you call, please have the following information ready:

- Model Number
- Serial Number
- Date of installation
- A brief description of the problem
- Proof of purchase

Your satisfaction is of the utmost importance to us. If a problem cannot be resolved to your satisfaction, please call, write or email us at:

Write:

Fisher & Paykel Appliances, Inc.  
Attention: DCS Customer Care  
5900 Skylab Road  
Huntington Beach, CA 92647

email: [support@dcsappliances.com](mailto:support@dcsappliances.com)

# WARRANTY

---

## LENGTH OF WARRANTY

One (1) Year Full parts and Labor Covers the entire product

Five (5) Year Limited warranty covering the switches and motor part only.

## DCS WILL PAY FOR

All repair labor and parts found to be defective due to materials or workmanship for one full year "IN HOME" warranty during the first year of ownership. This does not apply if the unit was subjected to other than normal household use. Service must be provided by Authorized Factory Agent during normal working hours. No charges will be made for repair or replacement at the location of initial installation or factory for parts returned pre-paid, through the dealer and claimed within the warranty period, and found by DCS to be defective.

Replacement will be F.O.B. DCS, and DCS will not be liable for any transportation costs, labor costs, or export duties. This warranty shall not apply, nor can we assume responsibility for damage that might result from failure to follow manufactures instructions or local codes, where the appliance has been tampered with or altered in anyway or which, in our judgement, has been subjected to misuse, negligence, or accident. Implied warranty shall not extend beyond the duration of this written warranty. This warranty is in lieu of all warranties expressed or implied and all other obligations or liability in connection with the sale of this appliance.

## DCS WILL NOT PAY FOR

- Installation or start-up.
- Shipping damage.
- Service by an unauthorized agency.
- Damage or repairs due to service by an unauthorized agency or the use of unauthorized parts.
- Service during other than normal working hours.
- Improper installation, such as improper hook-up, etc.
- Service visits to teach you how to use the appliance; correct the installation; reset circuit breakers, replace home fuses, cleaning or maintenance.
- Repairs due to other than normal household use.
- Damage caused from accident, abuse, alteration, misuse, incorrect installation or installation not in accordance with local codes.
- Units installed in non-residential application such as day care centers, bed and breakfast centers, churches, nursing homes, restaurants, hotels, schools, etc.

This warranty applies to appliances used in residential applications; it does not cover their use in commercial situations. This warranty is for products purchased and retained in the 50 states of the U.S.A., the District of Columbia and Canada. This warranty applies even if you should move during the warranty period. Should the appliance be sold by the original purchaser during the warranty period, the new owner continues to be protected until the expiration date of the original purchaser's warranty period.

*This warranty is in lieu of all other warranties, expressed or implied, and all implied warranties, including warranties of merchantability and fitness for a particular purpose, are hereby disclaimed to the full extent permitted by law. To the extent that implied warranties may not be disclaimed, the duration of any implied warranties, including implied warranties of merchantability and fitness for a particular purpose, are limited to the duration of this expressed warranty. This warranty gives you specific legal rights. You may also have other rights which vary from state to state.*





# NOTES

---





5900 Skylab Road, Huntington Beach, CA 92647  
Tel: 714.372.7000 • Fax: 714.372.7001  
Customer Care: 888.281.5698  
[www.dcsappliances.com](http://www.dcsappliances.com)

As product improvement is an ongoing process at DCS, we reserve the right to change specifications or design without notice.

DCS améliore constamment ses produits et se réserve le droit de modifier les spécifications ou la conception de ses produits sans aucun préavis.