

Made in China



DECATHLON SA - 4 Boulevard de Mons - BP
299 59650 Villeneuve d'Ascq cedex - France

BIKE COMPUTER 120 INSTRUCTIONS

IMPORTANT

- Decathlon is not liable for accidents or injuries due to improper use of the product, failure to apply to the instructions given in this guide, or modifications to the product.
- To avoid serious injury or death, follow the safety information in this document.
- Keep these instructions.
- While every effort has been made to ensure that the information contained in the guide is accurate and complete, Decathlon is not liable for any errors or omissions
- This bike computer is not a toy. This product is not intended for use by children 12 years of age or younger. Youth of ages 13 to 17 should only use the product under the direct supervision of an adult. An adult should review and explain the full set of instructions in this guide with the youth (age 13 and over) before the use.
- This device complies with part 15 of the FCC Rules. Operation is subject to the following two conditions: (1) This device may not cause harmful interference, and (2) this device must accept any interference received, including interference that may cause undesired operation.
- **CAUTION:** changes or modifications not expressly approved by the party responsible for compliance could void the user's authority to operate the equipment.
- **NOTE:** This equipment has been tested and found to comply with the limits for a Class B digital device, pursuant to Part 15 of the FCC Rules. These limits are designed to provide reasonable protection against harmful interference in a residential installation. This equipment generates, uses and can radiate radio frequency energy and, if not installed and used in accordance with the instructions, may cause harmful interference to radio communications. However, there is no guarantee that interference will not occur in a particular installation. If this equipment does cause harmful interference to radio or television reception, which can be determined by turning the equipment off and on, the user is encouraged to try to correct the interference by one or more of the following measures:
 - Reorient or relocate the receiving antenna.
 - Increase the separation between the equipment and receiver.
 - Connect the equipment into an outlet on a circuit different from that to which the receiver is connected.
 - Consult the dealer or an experienced radio/TV technician for help.

SAFETY PRECAUTIONS

 **WARNING :** FAILURE TO FOLLOW THESE WARNINGS MAY RESULT IN SERIOUS INJURY OR PROPERTY DAMAGE AND WILL VOID THE WARRANTY.

- Do not change the position of the sensor when riding. The spokes of the wheel may cut your fingers.
- Do not always watch the informations of the bike computer when riding. Keep your eyes on the road. You may crash if you don't stay concentrated on the road.

Most injuries are caused by misuse and/or not following instructions. Use caution when using this product.

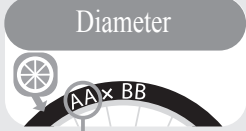
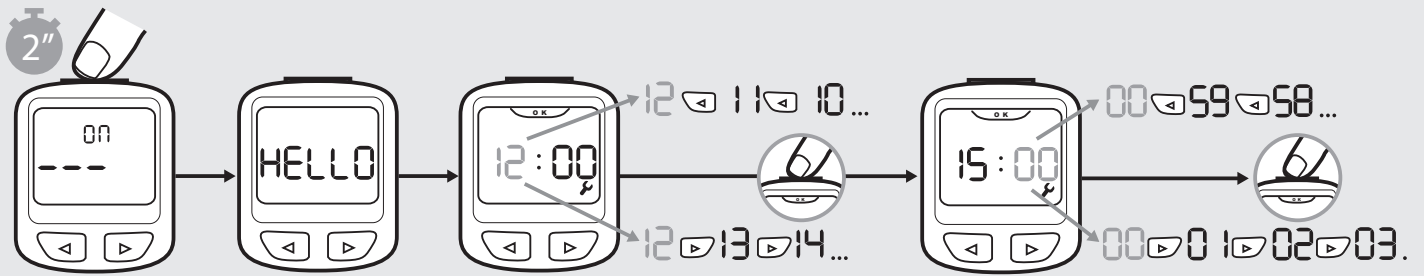
USER INSTRUCTIONS

HOW TO USE

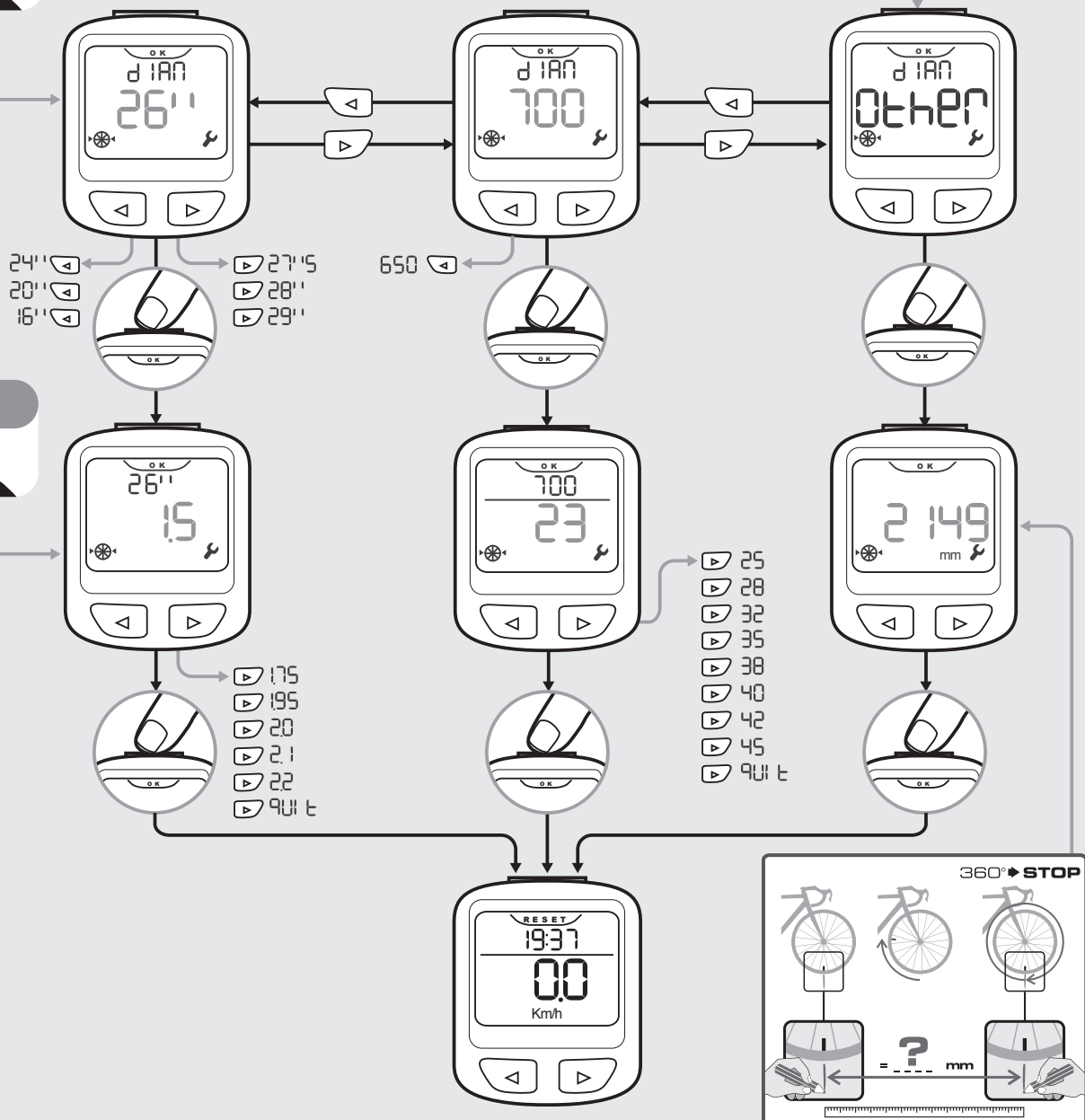
-  **Carefully follow the assembly instructions for a proper installation.**

STORAGE

First use



If your tyre size is not listed, go to the «other» menu and enter the exact size in millimetres.



Set-up

