



Grazie per aver acquistato un prodotto Polk. Per domande o commenti, chiamateci o inviateci un'email.

#### Assistenza tecnica

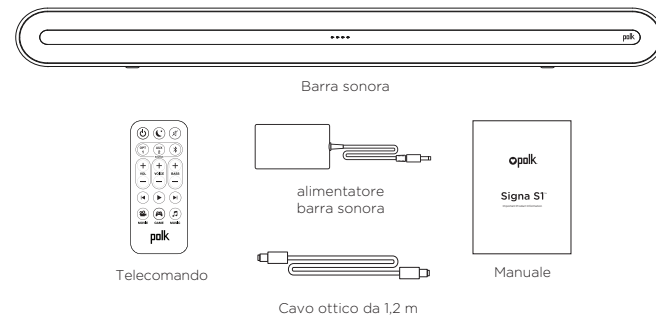
Nel Nord America, chiamate il servizio Clienti POLK al numero 800-377-POLK(7655) (L-V, 9:00-17:30 EST) Al di fuori degli USA, chiamate al +1-410-358-3600

email polkcs@polkaudio.com

Polk Audio  
1 Viper Way  
Vista, CA 92081

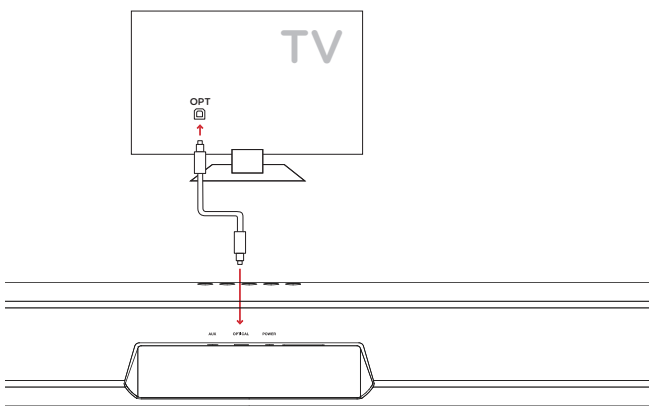
Il manuale utente completo è disponibile online all'indirizzo [www.polkaudio.com](http://www.polkaudio.com)

#### Contenuto della confezione



#### Collegamento di Signa Solo alla TV

- Utilizzare il cavo ottico in dotazione per collegare la barra sonora alla TV.



Se la TV non dovesse avere un ingresso per il cavo ottico, collegare la barra sonora alla TV tramite un cavo AUX (non incluso).

**NOTA: solo il collegamento ottico supporta la decodifica Dolby 5.1.**

Vielen Dank für Ihren Einkauf. Wenn Sie eine Frage oder einen Kommentar haben, zögern Sie nicht uns anzurufen oder eine E-Mail zu schicken.

#### Technical Assistance

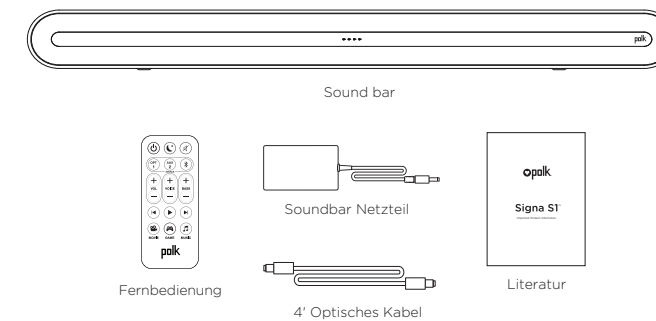
In Nordamerika erreichen Sie den Polk-Kundendienst unter der folgenden Nummer: 800-377-POLK (7655) (M-F, 9.00 bis 17.00 Uhr, EST) Außerhalb der USA, wählen Sie bitte + 1-410-358-3600

E-Mail: polkcs@polkaudio.com

Polk Audio  
1 Viper Way  
Vista, CA 92081

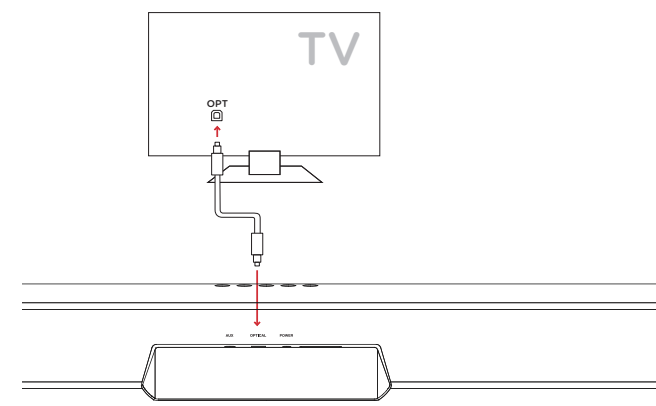
Die komplette Betriebsanleitung finden Sie im Internet unter [www.polkaudio.com](http://www.polkaudio.com)

#### Was ist in der Box



#### Anschließen Ihres Signa Solo an Ihr Fernsehgerät

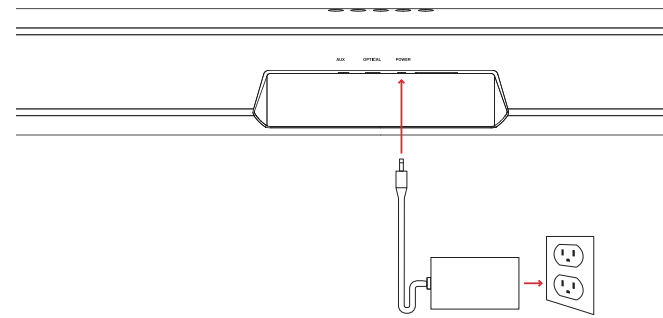
- Benutzen Sie das mitgelieferte optische Kabel, um die Soundbar mit dem Fernsehgerät zu verbinden.



Wenn Ihr Fernsehgerät keinen optischen Ausgang hat, schließen Sie die Soundbar mit einem AUX-Kabel (nicht im Lieferumfang enthalten) an das Fernsehgerät an.

**HINWEIS: Nur ein optischer Ausgang unterstützt Dolby 5.1-Decodierung.**

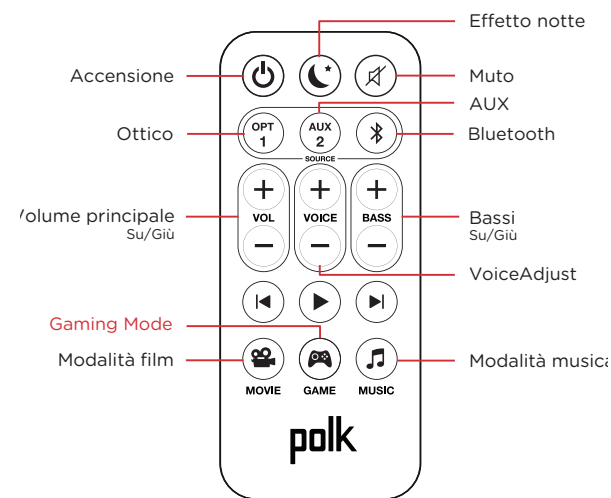
- Collegare il cavo di alimentazione della barra sonora ad una presa elettrica



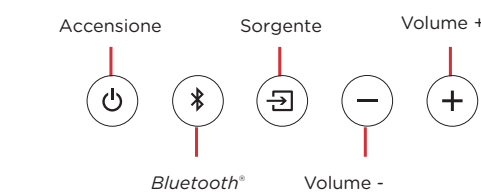
- Accendere la barra sonora  
Premere il tasto di accensione nella barra sonora o nel telecomando.

**NOTA: assicurarsi che gli altoparlanti interni della TV siano muti quando si utilizzano gli ingressi ottici e AUX.**

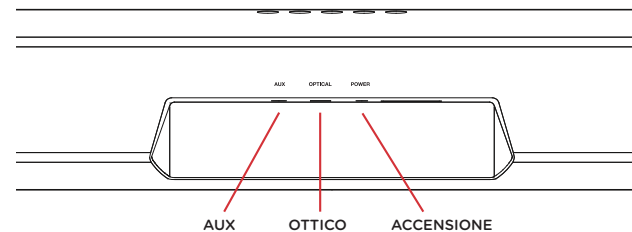
#### Telecomando



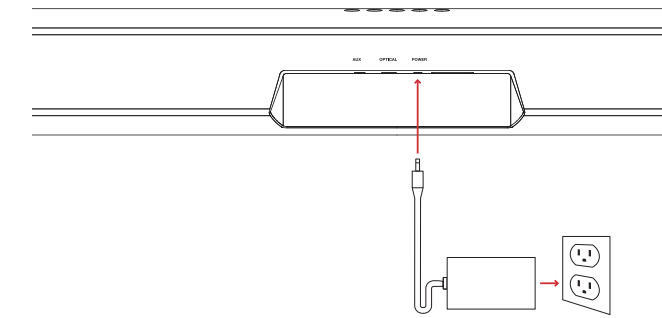
#### Pannello superiore della barra sonora



#### Pannello posteriore della barra sonora



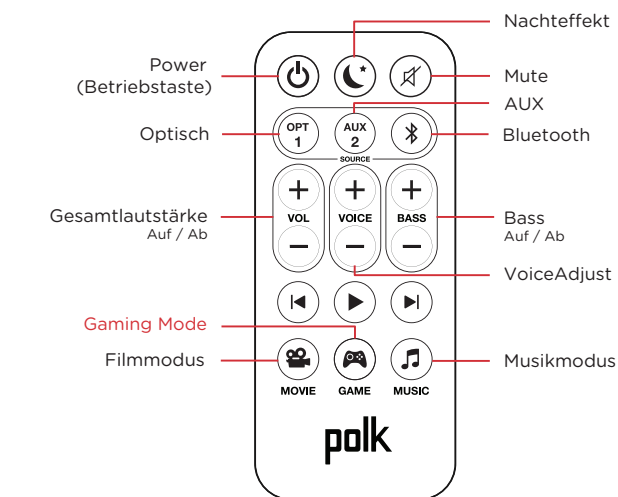
- Schließen Sie das Soundbar-Netzkaabel an eine Netzsteckdose an



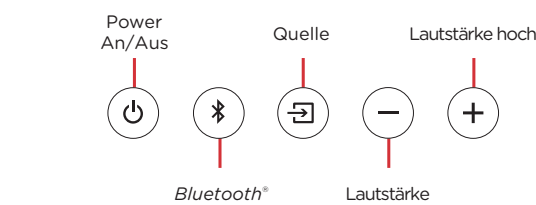
- Schalten Sie die Soundbar ein  
Drücken Sie die Betriebstaste auf der Soundbar oder der Fernbedienung.

**HINWEIS: Vergewissern Sie sich, dass die internen Lautsprecher des Fernsehgeräts ausgeschaltet sind, wenn Sie optische und Aux-Eingänge verwenden.**

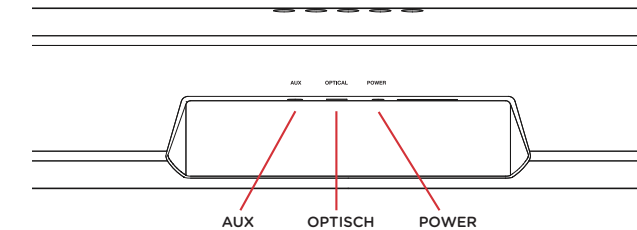
#### Fernbedienung



#### Soundbar-Oberseite



#### Soundbar-Rückseite



polk

Signa Solo™

Quick Start Guide

Thank you for your Polk purchase. If you have a question or comment, please feel free to call or email us.

**Technical Assistance**

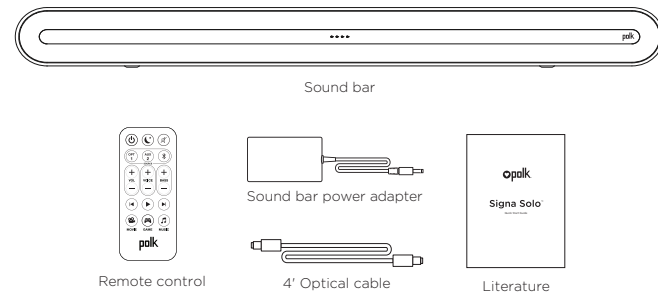
In North America, call Polk Customer Service at 800-377-POLK(7655) (M-F, 9 a.m.-5:30 p.m. EST) Outside the US, call +1-410-358-3600

email polkcs@polkaudio.com

Polk Audio  
1 Viper Way  
Vista, CA 92081

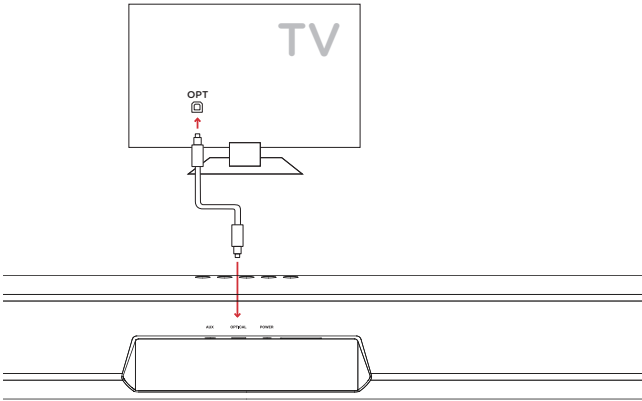
The complete owner's manual can be found online at [www.polkaudio.com](http://www.polkaudio.com)

**What's in the Box**



**Connecting Your Signa Solo to Your TV**

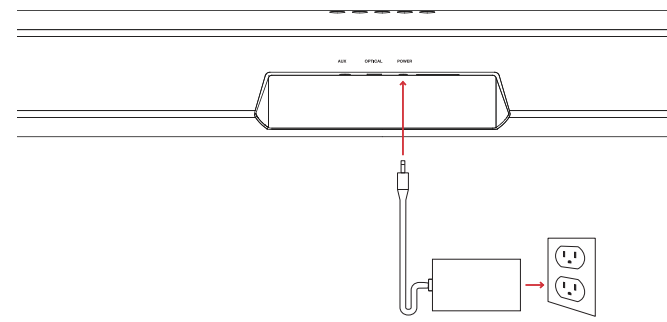
1. Use the provided Optical cable to connect the sound bar to the TV.



If your TV does not have an Optical output, connect the sound bar to the TV with an AUX cable (not included).

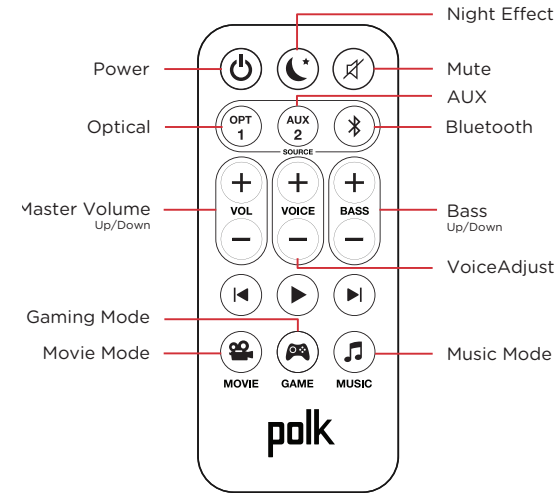
**NOTE: Only optical supports Dolby 5.1 decoding.**

2. Connect the sound bar power cord to an AC outlet

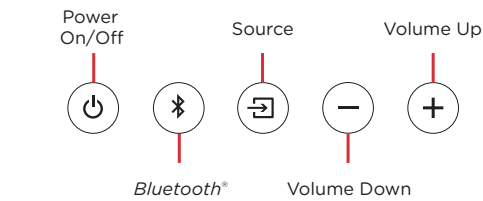


3. Turn on your sound bar  
Press the Power button on the sound bar or remote.  
**NOTE: Make sure TV internal speakers are off when using optical and aux inputs.**

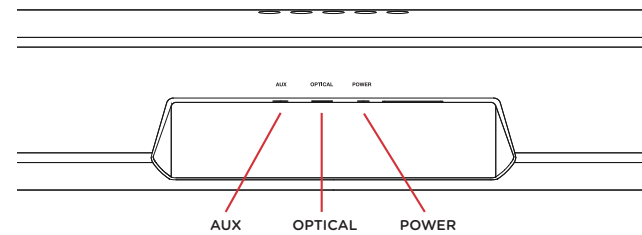
**Remote Control**



**Sound Bar Top Panel**



**Sound Bar Back Panel**



fr

Merci de votre achat de ce produit Polk. Si vous avez des questions ou des commentaires, vous pouvez nous appeler ou communiquer avec nous par courriel.

**Assistance technique**

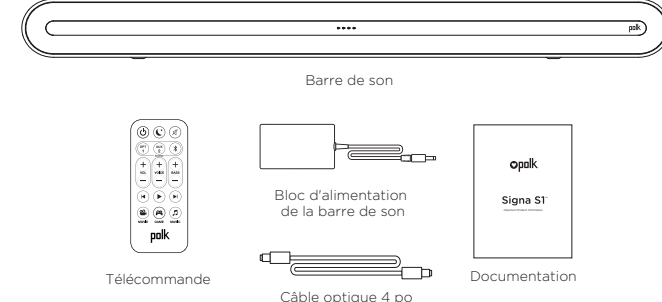
En Amérique du Nord, contactez le service à la clientèle de Polk au 800-377-POLK (7655) (L-V, 9 h à 17 h 30, HNE) À l'extérieur des US, composez le +1-410-358-3600

Courriel polkcs@polkaudio.com

Polk Audio  
1 Viper Way  
Vista, CA 92081

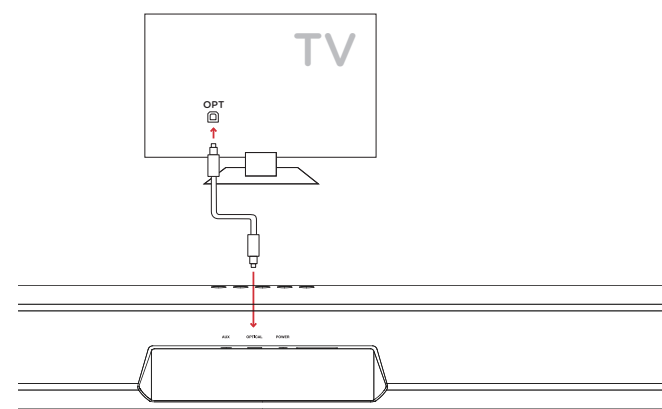
Vous trouverez le manuel complet de l'utilisateur au [www.polkaudio.com](http://www.polkaudio.com)

**Ce qu'il y a dans la boîte**



**Connecter votre Signa Solo à votre téléviseur**

1. Utilisez le câble optique fourni pour connecter la barre de son à votre téléviseur.

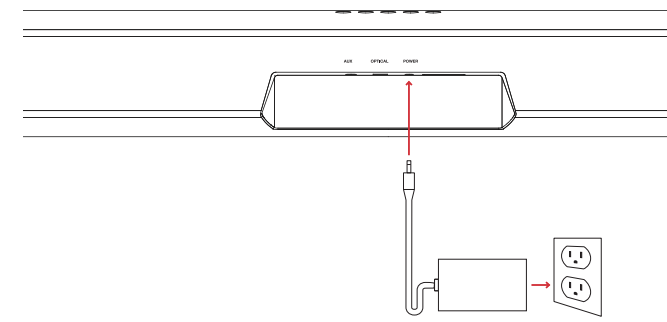


Si votre téléviseur n'est pas muni d'une sortie optique, connectez la barre de son au téléviseur avec un câble auxiliaire (non compris).

**REMARQUE : Seule la sortie optique prend en charge le décodage Dolby 5.1.**

es

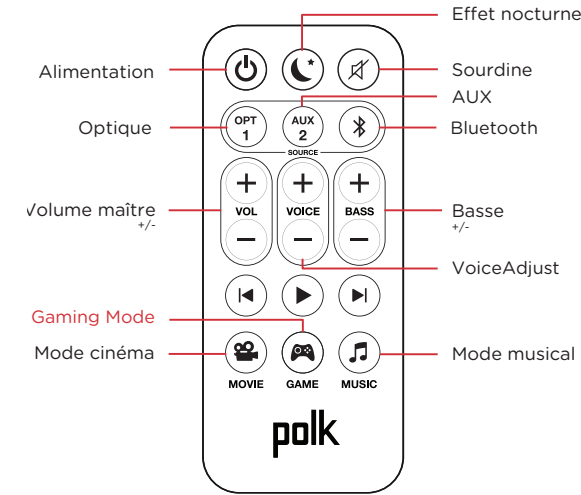
2. Conectez la barre de son à une prise de courant CA



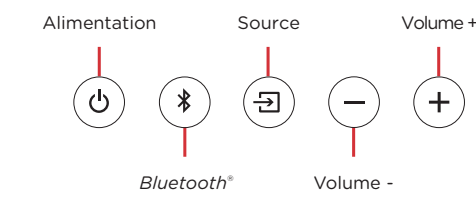
3. Allumez votre barre de son  
Appuyez sur le bouton d'alimentation de la barre de son ou de la télécommande.

**REMARQUE : Veillez à ce que les haut-parleurs internes de téléviseur soient éteints lorsque vous utilisez les entrées optiques ou les entrées auxiliaires.**

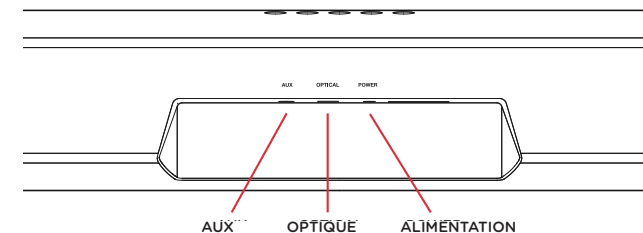
**Télécommande**



**Panneau supérieur de la barre de son**



**Panneau arrière de la barre de son**



¡Gracias por su compra de Polk. Si tiene alguna pregunta o comentario, por favor, no dude en llamarnos o enviarnos un e-mail.

**Asistencia técnica**

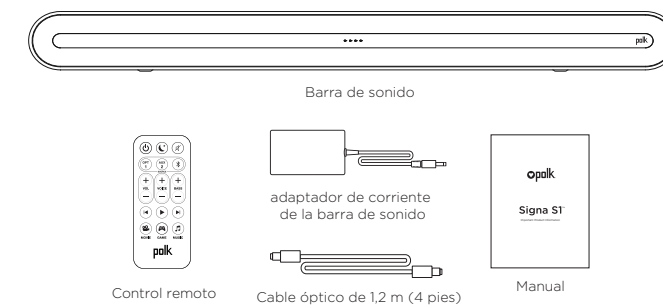
En Norteamérica, llame al Servicio al cliente de Polk 800-377-POLK(7655) (L-V, 9 a.m. - 5:30 p.m. EST) Fuera de EE. UU., llame al +1-410-358-3600

email polkcs@polkaudio.com

Polk Audio  
1 Viper Way  
Vista, CA 92081

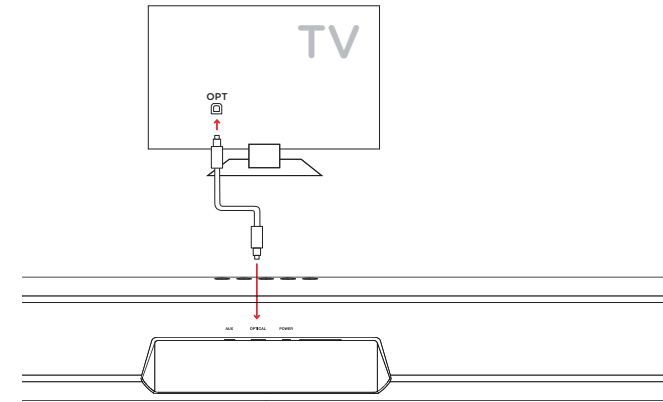
Puede encontrar el manual del propietario completo online en [www.polkaudio.com](http://www.polkaudio.com)

**Qué incluye la caja**



**Conectar su Signa Solo a su TV**

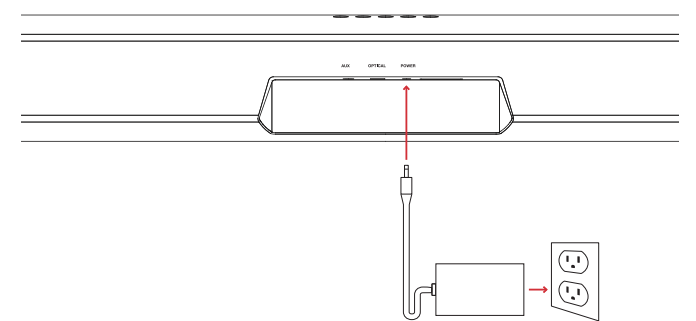
1. Utilice el cable óptico proporcionado para conectar la barra de sonido al TV.



Si su TV no tiene una salida óptica, conecte la barra de sonido al TV con un cable AUX (no incluido).

**NOTA: Solo el cable óptico soporta la decodificación Dolby 5.1.**

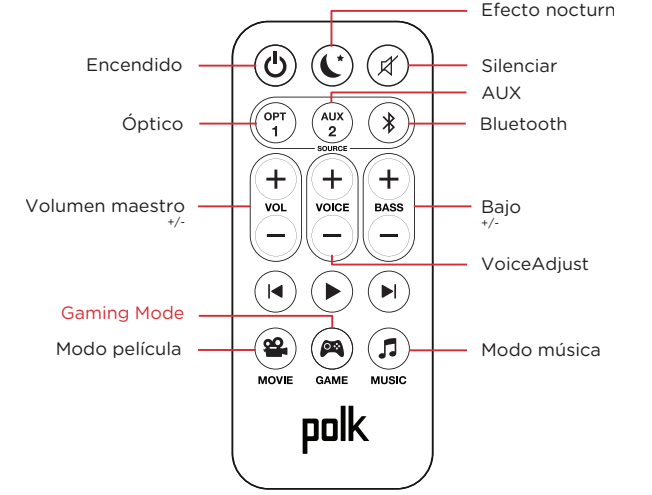
2. Conecte el cable de energía de la barra de sonido a una toma AC



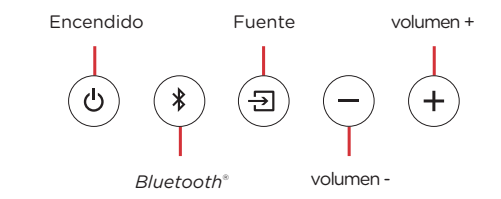
3. Encienda su barra de sonido.  
Pulse el botón Encendido en la barra de sonido o en el control remoto.

**NOTA: Asegúrese de que los altavoces internos del TV están apagados al utilizar entradas ópticas y aux.**

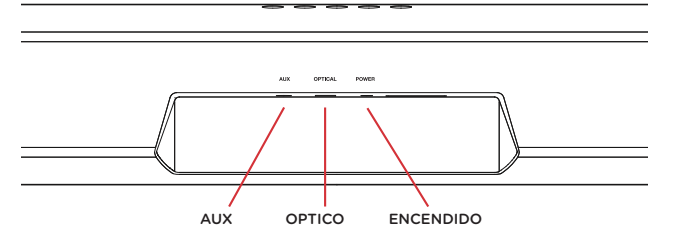
**Control Remoto**



**Panel superior de la barra de sonido**



**Panel posterior de la barra de sonido**







# Signa Solo™

Important Product Information

# Safety Precautions

## FCC Statement

1. This device complies with Part 15 of the FCC Rules. Operation is subject to the following two conditions:
  - (1) This device may not cause harmful interference, and
  - (2) This device must accept any interference received, including interference that may cause undesired operation.
2. Any Changes or modifications not expressly approved by the party responsible for compliance could void the user's authority to operate the equipment.

NOTE: This equipment has been tested and found to comply with the limits for a Class B digital device, pursuant to Part 15 of the FCC Rules. These limits are designed to provide reasonable protection against harmful interference in a residential installation. This equipment generates uses and can radiate radio frequency energy and, if not installed and used in accordance with the instructions, may cause harmful interference to radio communications. However, there is no guarantee that interference will not occur in a particular installation.

If this equipment does cause harmful interference to radio or television reception, which can be determined by turning the equipment off and on, the user is encouraged to try to correct the interference by one or more of the following measures:

- Reorient or relocate the receiving antenna.
- Increase the separation between the equipment and receiver.
- Connect the equipment into an outlet on a circuit different from that to which the receiver is connected.
- Consult the dealer or an experienced radio/TV technician for help.

## FCC RF Radiation Exposure Statement

1. This transmitter must not be collocated or operating in conjunction with any other antenna or transmitter.
2. This equipment complies with FCC radiation exposure limits set forth for an uncontrolled environment. This equipment should be installed and operated with minimum distance 20cm between the radiator & your body

## Innovation, Science and Economic Development (ISED) Canada

This Class B digital apparatus complies with Canadian ICES-003. To reduce potential radio interference to other users, the antenna type and its gain should be so chosen that the equivalent isotropically radiated power (e.i.r.p.) is not more than that permitted for successful communication.

## User Manual Notice for License-Exempt Radio Apparatus

This device complies with Industry Canada's licence-exempt RSSs. Operation is subject to the following two conditions:

- (1) This device may not cause interference ; and
- (2) This device must accept any interference, including interference that may cause undesired operation of the device.

Changes or modifications not expressly approved by the party responsible for compliance, could void the user's authority to operate the equipment.

## Radio Frequency (RF) Exposure Information

The radiated output power of the Wireless Device is below the Industry Canada (IC) radio frequency exposure limits. The Wireless Device should be used in such a manner such that the potential for human contact during normal operation is minimized.

This device has also been evaluated and shown compliant with the IC RF Exposure limits under mobile exposure conditions. (antennas are greater than 20cm from a person's body).

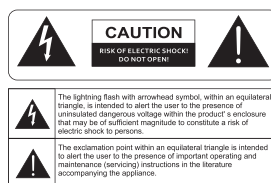
## Important Safety Instructions

1. Read these instructions.
2. Keep these instructions.
3. Heed all warnings.
4. Follow all instructions.
5. Do not use this apparatus near water.
6. Clean only with dry cloth.
7. Do not block any ventilation openings. Install in accordance with the manufacturer's instructions.
8. Do not install near any heat sources such as radiators, heat registers, stoves, or other apparatus (including amplifiers) that produce heat.
9. Do not defeat the safety purpose of the polarized or grounding-type plug. A polarized plug has two blades with one wider than the other. A grounding type plug has two blades and a third grounding prong. The wide blade or the third prong are provided for your safety. If the provided plug does not fit into your outlet, consult an electrician for replacement of the obsolete outlet.
10. Protect the power cord from being walked on or pinched particularly at plugs, convenience receptacles, and the point where they exit from the apparatus.
11. Only use attachments/accessories specified by the manufacturer.



D&M Europe B.V.  
Beemdstraat 11; 5653 MA  
Eindhoven

12. Use only with the cart, stand, tripod, bracket, or table specified by the manufacturer, or sold with the apparatus. When a cart is used, use caution when moving the cart/apparatus combination to avoid injury from tip-over.
13. Unplug this apparatus during lightning storms or when unused for long periods of time.
14. Refer all servicing to qualified service personnel. Servicing is required when the apparatus has been damaged in any way, such as power-supply cord or plug is damaged, liquid has been spilled or objects have fallen into the apparatus, the apparatus has been exposed to rain or moisture, does not operate normally, or has been dropped.
15. The equipment could be used at maximum 45 degree C ambient temperature
16. Do not open the equipment to reduce the risk of electrical shock. For safety reasons it is only allow to the opened by qualified service personnel.
17. WARNING: To reduce the risk of fire or electric shock, do not expose this apparatus to rain or moisture. And the apparatus shall not be exposed to dripping or splashing and that no objects filled with liquids, such as vases, shall be placed on the apparatus.
18. Where the mains plug is used as disconnect device, the disconnect device shall remain readily operable.
19. The product shall be used on open bench.
- 20.No naked flame sources, such as lighted candles, should be placed on the apparatus.



21. CAUTION: Danger of explosion if battery is incorrectly replaced. Replace only with the same or equivalent type.
22. The battery (battery, batteries, or battery pack) shall not be exposed to excessive heat such as sunshine, fire or the like.
23. WARNING: DO NOT INGEST BATTERY, CHEMICAL BURN HAZARD
  - a. The remote control supplied with this product contains a coin/button cell battery. If the coin/button cell battery is swallowed, it can cause severe internal burns in just 2 hours and can lead to death.
  - b. Keep new and used batteries away from children. If the battery compartment does not close securely, stop using the product and keep it away from children.
  - c. If you think batteries might have been swallowed or placed inside any part of the body, seek immediate medical attention. WARNING: Do not recharge non-rechargeable batteries.
24. WARNING: Avoid exposure to extreme heat or cold.

## EU Compliance Information

Eligible to bear the CE mark; Conforms to European Union Low Voltage Directive 2014/35/EU; European Union EMC Directive 2014/30/EU; European Union Restriction of Hazardous Substances Recast (RoHS) Directive 2011/65/EU; European Union WEEE Directive 2012/19/EU; European Union Eco-Design Directive 2009/125/EC; European Union Registration, Evaluation, Authorization and Restriction of Chemicals (REACH) Directive 2006/12/EC; European Union Radio Equipment Directive (RED), 2014/53/EU.



Hereby, Polk, declares that Signa Solo is in compliance with the essential requirements and other relevant provisions of Directive 2014/53/EU

- EN 300 328  
Electromagnetic compatibility and Radio spectrum Matters (ERM); Wideband transmission systems; Data transmission equipment operating in the 2.4 GHz ISM band and using wide band modulation techniques;

Harmonized EN covering the essential requirements of article 3.2 of the R&TTE Directive.

- EN 301 489-1  
Electromagnetic compatibility and Radio Spectrum Matters (ERM); ElectroMagnetic Compatibility (EMC) standard for radio equipment and services; Part 1: Common technical requirements

-EN 301 489-17  
Electromagnetic compatibility and Radio spectrum Matters (ERM); ElectroMagnetic Compatibility (EMC) standard for radio equipment and services; Part 17: Specific conditions for 2.4 GHz wideband transmission systems and 5 GHz high performance RLAN equipment

- EN 62479:2010  
Assessment of the compliance of low power electronic and electrical equipment with the basic restrictions related to human exposure to electromagnetic fields (10 MHz to 300 GHz)

Bluetooth Operating Frequency 2402-2480MHz  
Maximum RF Power: 10 dBm (e.i.r.p)

## 1-Year Limited Warranty

Polk Audio, LLC ("Polk") warrants to the original retail purchaser that Polk Audio branded wireless speakers, will be free from defects in materials and workmanship for a period of (1) one year, under normal use and conditions. Should this product prove to be defective in material or workmanship, Polk will, at its option, (a) repair the product, or (b) replace the product. If the product model is no longer available and cannot be repaired effectively, or replaced with an identical model, Polk may, at its sole and absolute option, replace the unit with a current model of equal or greater value.

To obtain warranty service, please visit the Polk Audio website at [www.polkaudio.com](http://www.polkaudio.com). You may also contact Polk Audio Customer Service at 1-800-377-7655 for instructions on where to send the product. You will be required to provide an original receipt or bill of sale, identifying you as the original purchaser and identifying the purchase made through an authorized Polk retailer. You will need to ship the product, prepaid and insured, together with the proof of purchase to Polk Audio, 1 Viper Way, Vista, CA 92081. Risk of loss or damage in transit shall be borne by the purchaser. Freight collect shipments will be refused.

This warranty is non-transferable and does not apply to any product that has been modified or used in a manner contrary to its intended purpose. This limited warranty is void if the product has an altered or missing serial number, or if the product was purchased from someone other than an authorized dealer. This limited warranty is void if the product has been damaged by accident or unreasonable use, neglect, improper service or other causes not arising out of defects in material or construction. Product(s) which are found to be damaged by abuse resulting in thermally damaged voice coils are not covered by this warranty but may be replaced at the sole and absolute discretion of Polk. This warranty terminates if you sell or otherwise transfer the product to another party. This limited warranty does not cover cosmetic damage, paint damage, damage to other components, parts or premises, or any consequential damages which may result for any reason.

Polk does not warrant that the product will operate without interruption or that the product will operate error-free. Certain external conditions which are out of Polk's control may affect the overall performance of the product, including, but not limited to, wireless network configuration, performance of the wireless network, distances between product and the wireless network connection and/or content sources, third party devices, radio and/or environmental interference with the product.

Polk may offer access to third party content or third party content providers via the Product. Polk reserves the right to alter, change, discontinue or modify access to any third party content or any third party content provider at any time, for any reason. Polk disclaims all warranties and representations offered by any third party content or third party content provider.

Polk shall have no obligation to provide any updates or upgrades to the product, but in the event that it does, such updates and upgrades shall be deemed the "product", and shall be subject to the terms and conditions stated herein.

THIS WARRANTY GIVES YOU SPECIFIC LEGAL RIGHTS AND YOU MAY HAVE OTHER RIGHTS THAT VARY FROM STATE TO STATE. ALL WARRANTIES, INCLUDING BUT NOT LIMITED TO EXPRESS WARRANTY, IMPLIED WARRANTIES OF MERCHANTABILITY AND FITNESS FOR A PARTICULAR PURPOSE, NON-INFRINGEMENT AND THE IMPLIED CONDITION OF SATISFACTORY QUALITY ARE EXPRESSLY EXCLUDED AND DISCLAIMED TO THE MAXIMUM EXTENT ALLOWED BY LAW, AND POLK NEITHER ASSUMES NOR AUTHORIZES ANY PERSON TO ASSUME FOR IT ANY LIABILITY IN CONNECTION WITH THE SALE OF THE PRODUCT. POLK HAS ABSOLUTELY NO LIABILITY FOR ANY ACTS OF THIRD PARTIES. SOME STATES DO NOT ALLOW THE EXCLUSION OF CERTAIN IMPLIED WARRANTIES, OR CONDITIONS ON AN IMPLIED WARRANTY, SO THE ABOVE LIMITATION MAY NOT APPLY TO YOU. POLK DOES NOT ACCEPT LIABILITY FOR SPECIAL, INDIRECT, INCIDENTAL, PUNITIVE OR CONSEQUENTIAL DAMAGES, LOST PROFITS, LOST SAVINGS OR DAMAGES RESULTING FROM IMPROPER USE, OR THE INABILITY TO USE THE PRODUCT. THE MAXIMUM LIABILITY FOR WHICH POLK MAY BE RESPONSIBLE SHALL NOT EXCEED THE PURCHASE PRICE OF THE PRODUCT. SOME STATES DO NOT ALLOW THE EXCLUSION OR LIMITATION OF INCIDENTAL OR CONSEQUENTIAL DAMAGES, SO THE ABOVE LIMITATION OR EXCLUSIONS MAY NOT APPLY TO YOU.

WARNING: This product contains a chemical known to the State of California to cause cancer.



## Mesures de sécurité

### Énoncé du FCC

- Cet appareil est conforme à l'article 15 de la réglementation du FCC. Le fonctionnement est sujet aux deux conditions suivantes :
  - Cet appareil peut ne pas causer de brouillage préjudiciable, et
  - Cet appareil doit accepter tout brouillage reçu, incluant le brouillage qui peut causer un fonctionnement non désiré.
- Tout changement ou modification non expressément approuvés par la partie responsable de la conformité peuvent annuler l'autorité de l'utilisateur d'utiliser cet équipement.

NOTE : Cet équipement a été testé et jugé conforme aux limites pour un appareil de Classe B en vertu de l'article 15 de la réglementation du FCC. Ces limites sont conçues pour fournir une protection raisonnable contre les brouillages préjudiciables dans une installation résidentielle. Cet équipement génère, utilise et peut causer des brouillages préjudiciables aux communications radio. Toutefois, il n'y a aucune garantie que le brouillage ne se produira pas avec une installation en particulier.

Si cet équipement cause du brouillage préjudiciable à la réception radio ou télé, qui peut être déterminé en allumant ou en éteignant l'équipement, l'utilisateur est encouragé à tenter de corriger le brouillage en utilisant une ou plusieurs des mesures suivantes :

- Réorienter ou déplacer l'antenne réceptrice.
- Augmenter la séparation entre l'équipement et le récepteur.
- Brancher l'équipement dans une prise de courant qui est sur un circuit différent de celui où le récepteur est branché.
- Consulter le détaillant ou un technicien radio/télé expérimenté pour de l'aide.

### Énoncé du FCC relatif à l'exposition aux rayonnements RF

- Ce transmetteur ne doit pas être installé ni utilisé en conjonction avec toute autre antenne ou tout autre transmetteur.
- Cet équipement est conforme aux limites d'exposition aux radiations énoncées par le FCC pour un environnement non contrôlé. Cet équipement doit être installé et utilisé en conservant une distance minimale de 20 cm entre le radiateur et votre corps.

### Innovation, Sciences et Développement économique (ISDE) Canada

Cet appareil numérique de Classe B est conforme à la norme canadienne ICES-003. Pour réduire l'interférence radio potentielle pour les autres utilisateurs, le type d'antenne et son gain doivent être choisis afin que la puissance isotrope rayonnée équivalente (p.i.r.e.) n'excède pas la limite permise pour permettre une bonne communication.

### Avis relatif au manuel de l'utilisateur pour les appareils radio exempts de licence

Cet appareil est exempt de licence d'Industrie Canada RSS. Son fonctionnement est assujéti aux deux conditions suivantes :

- Cet appareil ne peut causer d'interférence et ;
- Cet appareil doit accepter toute interférence, incluant les interférences qui peuvent causer un fonctionnement non souhaité de cet appareil.

Les changements ou les modifications non expressément approuvés par la partie responsable de la conformité pourraient annuler la permission d'opération de l'équipement par l'utilisateur.

### Information sur l'exposition aux radiofréquences (RF)

La puissance d'émission par rayonnement de l'appareil sans fil est inférieure aux limites d'exposition aux fréquences radio d'Industrie Canada (IC). L'appareil sans fil doit être utilisé de façon à minimiser le potentiel de contact humain pendant une utilisation normale.

Cet appareil a aussi été évalué et a été démontré comme étant conforme aux limites d'exposition IC RF dans des conditions d'exposition mobile (les antennes sont à une distance plus grande que 20 cm du corps d'une personne).

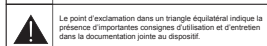
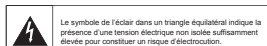
### Consignes de sécurité importantes

- Lisez ces instructions.
- Conservez ces instructions.
- Suivez toutes les instructions.
- Respectez toutes les mises en garde.
- Ne pas utiliser cet appareil à proximité de l'eau.
- Nettoyez avec un chiffon sec seulement.
- Ne pas bloquer les fentes d'aération. Installer conformément aux instructions du fabricant.
- Ne pas installer à proximité de sources de chaleur comme les radiateurs, bouches de chaleur, poêles ou autres appareils (incluant les amplificateurs) qui produisent de la chaleur.
- Ne pas contourner l'objectif de sécurité de la fiche polarisée ou munie d'un dispositif de mise à la terre. Une fiche polarisée comporte deux broches dont l'une est plus large que l'autre. Une fiche avec mise à la terre comporte deux broches et une broche de terre. La broche plus large ou la broche de terre sont fournies pour assurer une plus grande sécurité. Si la fiche fournie n'entre pas dans votre prise, consultez un électricien pour faire remplacer la prise défectueuse.
- Protéger le cordon d'alimentation afin qu'il ne soit pas piétiné ou écrasé, particulièrement au niveau des fiches, des prises de courant et au point où il sort de l'appareil.
- Utiliser uniquement les fixations et accessoires spécifiés par le fabricant.



D&M Europe B.V.  
Beemdstraat 11; 5653 MA  
Eindhoven

- Utiliser seulement avec le chariot, pied, trépied, support ou table spécifié par le fabricant ou vendu avec l'appareil. Lorsqu'un chariot est utilisé, des précautions doivent être prises au moment de déplacer l'ensemble chariot/l'appareil afin d'éviter les blessures pouvant être causées par un basculement.
- Débrancher cet appareil pendant les orages ou lorsqu'il n'est pas utilisé pendant de longues périodes.
- Confier toute réparation à un technicien qualifié. Des réparations sont requises lorsque l'appareil a été endommagé de quelque manière que ce soit, comme des dommages au cordon ou à la fiche, du liquide déversé sur l'appareil ou des objets ayant tombé dans ce dernier, dans un cas où l'appareil a été exposé à la pluie ou à l'humidité, ne fonctionne pas normalement ou a été échappé.
- L'équipement peut être utilisé à une température ambiante maximale de 45 degrés Celsius.
- Ne pas ouvrir l'équipement afin de réduire les risques de décharges électriques. Pour des raisons de sécurité, seul du personnel de service qualifié est autorisé à ouvrir l'appareil.
- AVERTISSEMENT : Afin de réduire le risque d'incendie ou de décharge électrique, ne pas exposer cet appareil à la pluie ou à l'humidité. Et l'appareil ne doit pas être exposé à l'égouttement ou aux éclaboussures et aucun objet rempli d'eau, comme un vase, ne doit être placé sur l'appareil.
- Lorsque la prise de secteur est utilisée comme dispositif de déconnexion, celui-ci doit demeurer constamment en état de fonctionner.
- Le produit doit être utilisé sur une surface dégagée.
- Aucune source de flamme nue, comme des chandeliers allumés, ne doit être placée sur l'appareil.



- ATTENTION : Danger d'explosion si la pile est remplacée de façon incorrecte. Remplacer seulement avec le même type de piles ou un équivalent.
- La pile (batteries ou bloc-batterie) ne doit pas être exposée à la chaleur excessive comme les rayons du soleil, le feu ou autre source de grande chaleur.
- AVERTISSEMENT : N'INGÉREZ PAS LA PILE. DANGER DE BRÛLURE CHIMIQUE.
  - La télécommande fournie avec ce produit contient une pile bouton/en forme de pièce de monnaie. Si la pile bouton est avalée, cela peut causer des brûlures internes graves en seulement 2 heures et peut mener au décès.
  - Gardez les piles neuves et usagées hors de la portée des enfants. Si le compartiment à pile ne ferme pas sûrement, cessez d'utiliser le produit et tenez-le hors de portée des enfants.
  - Si vous pensez qu'une pile a pu être avalée ou placée à l'intérieur de toute partie du corps, ayez recours à une aide médicale immédiatement.
- MISE EN GARDE : Ne pas recharger des piles non rechargeables.
- MISE EN GARDE : Éviter l'exposition à la chaleur et au froid extrêmes.

### Information sur la conformité à l'UE

Admissible pour porter le logo CE, Conforme à la directive European Union Low Voltage 2014/35/EU; à la directive 2014/30/EU European Union EMC; à la directive 2011/65/EU European Union Restriction of Hazardous Substances Recast (RoHS); Union européenne Directive WEEE 2012/19/EU; Directive 2009/125/EC European Union Eco-Design European Union Registration, Evaluation, Directive 2006/121/EC sur l'enregistrement, l'autorisation et la restriction des substances chimiques (REACH); Directive de l'Union européenne concernant l'équipement radioélectrique (RED), 2014/53/EU.



Polk déclare par les présentes que la barre de son Signa Solo Sound sont conformes aux exigences essentielles et autres dispositions pertinentes de la Directive 2014/53/EU.

- EN 300 328

Compatibilité électromagnétique et spectre radioélectrique (ERM); Systèmes de transmission à large bande; équipement de transmission fonctionnant avec la bande 2,4 GHz ISM et utilisant des techniques de modulation;

Norme EN harmonisée couvrant les exigences essentielles de l'article 3.2 de la directive R&TTE.

- EN 301 489-1

Compatibilité électromagnétique et spectre radioélectrique (ERM); Norme de Compatibilité électromagnétique (CEM) pour l'équipement et les services radio; Partie 1 : Exigences techniques communes

- EN 301 489-17

Compatibilité électromagnétique et spectre radioélectrique (ERM); Norme de Compatibilité électromagnétique (CEM) pour l'équipement et les services radio; Partie 17 : Conditions spécifiques pour les systèmes de transmission à large bande de 2,4 GHz et l'équipement à haut rendement de RF LAN 5 GHz

- EN 62479:2010

Évaluation de la conformité de l'équipement électronique à faible puissance et de l'équipement électrique aux restrictions de base liées à l'Exposition humaine aux champs électromagnétiques (10 MHz à 300 GHz)

Fréquence d'opération Bluetooth : 2402-2480 MHz

Puissance RF maximale : 10 dBm (e.i.r.p)

### Garantie limitée d'un an

Polk Audio, LLC (« Polk ») garantit à l'acheteur au détail original que les haut-parleurs sans fil de marque Polk Audio soient exempts de défauts dans des conditions normales et selon une utilisation normale. S'il est prouvé que ce produit est défectueux sur le plan matériel ou de la main-d'œuvre, Polk, à son choix pourra (a) réparer le produit, ou (b) remplacer le produit. Si le modèle du produit n'est plus disponible et ne peut être réparé adéquatement, ou remplacé par un modèle identique, Polk peut, à sa discrétion exclusive et absolue, remplacer l'appareil par un modèle actuel de valeur égale ou supérieure.

Pour obtenir du service dans le cadre de la garantie, veuillez visiter le site web de Polk Audio au [www.polkaudio.com](http://www.polkaudio.com). Vous pouvez aussi contacter le service à la clientèle de Polk Audio au 1-800-377-7655 pour obtenir des instructions et savoir où envoyer le produit. Vous devez fournir un reçu original ou le contrat de vente vous identifiant comme l'acheteur original et indiquant que l'achat a été effectué chez un détaillant Polk autorisé. Vous devrez envoyer le produit, avec port prépayé et assurance et en incluant la preuve d'achat à Polk Audio, 1 Viper Way, Vista, CA 92081. Le risque de perte ou de dommage pendant le transit sera pris en charge par l'acheteur. Les envois avec fret payable à destination seront refusés.

Cette garantie est non transférable et ne s'applique à aucun produit qui a été modifié ou utilisé de manière contraire à son utilisation prévue. Cette garantie limitée est annulée si le numéro de série du produit a été altéré ou s'il est manquant ou si le produit a été acheté d'un vendeur qui n'est pas un détaillant autorisé. Cette garantie limitée est annulée si le produit a été endommagé par accident ou par une utilisation non raisonnable, par de la négligence, une réparation non appropriée ou par une autre cause qui n'est pas liée à un défaut matériel ou d'assemblage. Le(s) produit(s) qui sont endommagés par un abus causant des dommages thermiques aux bobines mobiles ne sont pas couverts par cette garantie mais peut(peuvent) être remplacé(s) à la discrétion exclusive de Polk. Cette garantie est résiliée si vous vendez ou transférez de toute autre manière à une autre partie. Cette garantie limitée ne couvre pas les dommages cosmétiques, les dommages à la peinture, les dommages aux autres composants, pièces ou installations ou tout dommage indirect pouvant survenir pour toute raison.

Polk ne garantit pas que le produit fonctionnera sans interruption ou sans erreurs. Certaines conditions externes qui sont hors du contrôle de Polk peuvent affecter les performances générales du produit, incluant, mais sans s'y limiter la configuration du réseau sans fil, les performances du réseau sans fil, la distance entre le produit et la connexion au réseau sans fil et/ou les sources de contenu, les appareils de tierce partie, les interférences radio et/ou environnementales avec le produit.

Polk peut offrir un accès à du contenu de tierces parties ou à des fournisseurs de contenu de tierces parties via le Produit. Polk se réserve le droit d'altérer, modifier, discontinuer ou modifier l'accès à tout contenu de tiers ou à tout fournisseur de contenu de tiers, à tout moment, pour toute raison. Polk décline toutes les garanties et représentations offertes par tout fournisseur de tiers ou tout fournisseur de contenu de tiers.

Polk n'a aucune obligation de fournir toute mise à jour ou mise à niveau pour le produit, mais dans l'éventualité où Polk aurait de telles obligations, de telles mises à jour ou mises à niveau devront être jugées comme le « produit » et seront assujetties aux conditions énoncées aux présentes.

CETTE GARANTIE VOUS ACCORDE DES DROITS LÉGAUX SPÉCIFIQUES MAIS VOUS POUVEZ AVOIR D'AUTRES DROITS QUI VARIENT SELON LES PROVINCES. TOUTES LES GARANTIES, INCLUANT, MAIS SANS S'Y LIMITER, LES GARANTIES EXPRESSES, LES GARANTIES IMPLICITES DE QUALITÉ MARCHANDE ET LA PERTINENCE À UNE FIN EN PARTICULIER, L'ABSENCE DE CONTREFAÇON ET LA CONDITION IMPLICITE DE QUALITÉ SATISFAISANTE SONT EXPRESSEMENT EXCLUES ET REJETÉES DANS LES LIMITES PERMISES PAR LA LOI ET POLK N'ASSUME NI AUTORISE AUCUNE PERSONNE À ASSUMER POUR ELLE-MÊME TOUTE RESPONSABILITÉ LIÉE À LA VENTE DU PRODUIT. POLK N'EST ABSOLUMENT PAS RESPONSABLE DES ACTIONS DE TIERCES PARTIES. CERTAINES PROVINCES N'AUTORISENT PAS L'EXCLUSION DE CERTAINES GARANTIES OU CONDITIONS D'UNE GARANTIE IMPLICITE, ALORS LES LIMITATIONS QUI PRÉCÉDENT POURRAIENT NE PAS S'APPLIQUER À VOUS. POLK N'ACCÈPTE AUCUNE RESPONSABILITÉ LIÉE À DES DOMMAGES SPÉCIAUX, INDIRECTS, IMPRÉVUS, PUNITIFS OU CORRELATIFS, À DES PERTES DE PROFITS, DES PERTES D'ÉCONOMIES OU À DES DOMMAGES ENTRAÎNÉS PAR UNE UTILISATION INAPPROPRIÉE OU À L'INAPTITUDE À UTILISER LE PRODUIT. L'IMPUNITÉ MAXIMALE DE POLK NE DOIT PAS EXCÉDER LE PRIX D'ACHAT DU PRODUIT. CERTAINES PROVINCES N'AUTORISENT PAS L'EXCLUSION OU LA LIMITATION DE DOMMAGES IMPRÉVUS OU CORRELATIFS ALORS LES LIMITATIONS QUI PRÉCÉDENT POURRAIENT NE PAS S'APPLIQUER À VOUS.

MISE EN GARDE : Ce produit contient un produit chimique reconnu dans l'état de la Californie comme pouvant causer le cancer.

# Precauciones de seguridad

## Declaración FCC

- Este dispositivo cumple con el apartado 15 de la normativa de la FCC. El funcionamiento está sujeto a las siguientes dos condiciones:
  - (1) Este dispositivo no debería causar interferencias perjudiciales, y
  - (2) Este dispositivo debe aceptar cualquier interferencia, incluyendo las interferencias que puedan causar un funcionamiento no deseado del dispositivo.
- Cualquier cambio o modificación no aprobada expresamente por la parte responsable de cumplimiento podría anular el permiso del usuario para usar el equipo.

NOTA: Este equipo ha sido probado y se ha comprobado que cumple los límites para dispositivos digitales de clase B, de acuerdo con el apartado 15 de la normativa de la FCC. Estos límites están diseñados para ofrecer una protección razonable contra las interferencias perjudiciales en una instalación doméstica. Este equipo genera, utiliza y puede irradiar energía de radiofrecuencia y, si no se instala y se utiliza de acuerdo con las instrucciones suministradas, podría ocasionar interferencias perjudiciales para las comunicaciones de radio. No obstante, no se puede garantizar que no se vaya a producir este tipo de interferencias en una instalación en particular.

Si este equipo ocasiona interferencias perjudiciales en la recepción de radio o televisión, que puede comprobarse encendiendo y apagando el equipo, se recomienda que intente corregir la interferencia mediante una de las siguientes acciones:

- Reoriente o reubique la antena receptora.
- Aumente la separación entre el equipo y el receptor.
- No conecte el equipo en la toma del mismo circuito que el receptor.
- Pida ayuda a su distribuidor o a un técnico de radio/TV.

## Declaración de FCC sobre exposición a la radiación de RF

- Este transmisor no debe colocarse u operar junto con otra antena o transmisor.
- Este equipo cumple los límites de exposición de radiación de la FCC establecidos para un entorno no controlado. Este equipo debería instalarse y operar con una distancia mínima de 20 cm entre el emisor y su cuerpo.

## Innovación, ciencia y desarrollo económico (ISED). Canadá

Este aparato digital de clase B cumple la especificación canadiense ICES-003. Para reducir las interferencias de radio potenciales en otros usuarios, el tipo de antena y su ganancia debería elegirse de forma que la potencia isotrópica radiada equivalente (e.i.r.p., por sus siglas en inglés) no sea superior a la permitida para una comunicación correcta.

## Aviso del manual de usuario para aparatos de radio exentos de licencia

Este dispositivo cumple con los estándares RSS de Industry Canada para aparatos exentos de licencia. El manejo está sujeto a las dos siguientes condiciones:

- (1) Este dispositivo no puede causar interferencias.
- (2) Este dispositivo debe aceptar cualquier interferencia, incluyendo las que puedan provocar un funcionamiento no deseado del aparato.

Los cambios o modificaciones no aprobados explícitamente por la parte responsable del cumplimiento podrían invalidar la autoridad del usuario para manejar el equipo.

## Información de exposición a radiofrecuencias (RF)

La potencia de salida radiada del dispositivo inalámbrico está por debajo de los límites de exposición de radiofrecuencia de Industry Canada (IC). El dispositivo inalámbrico se debe utilizar de tal forma que se minimice el contacto con las personas durante el uso normal.

Este dispositivo también ha sido evaluado y se ha mostrado compatible con los límites de exposición a la radiofrecuencia de IC en condiciones de exposición portable. Asimismo, ha demostrado dicha compatibilidad. (Antenas situadas a una distancia inferior a 20 cm del cuerpo de una persona).

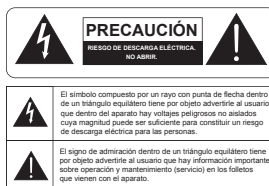
## Instrucciones importantes de seguridad

1. Lea estas instrucciones.
2. Guarde estas instrucciones.
3. Preste atención a todas las precauciones.
4. Siga todas las instrucciones.
5. No use este aparato cerca del agua.
6. Límpiolo solo con un paño seco.
7. No bloquee las aberturas de ventilación. Instálelo de acuerdo a las instrucciones del fabricante.
8. No lo instale cerca de fuentes de calor tales como radiadores, rejillas de calefacción, estufas u otros aparatos (incluidos amplificadores) que emanan calor.
9. No elimine el dispositivo de seguridad del enchufe con toma de tierra o polarizado. Los enchufes polarizados disponen de dos clavijas, una de mayor tamaño que la otra. Los enchufes con toma de tierra tienen dos clavijas y un tercer terminal de tierra. La clavija más ancha o el tercer terminal se incluye con fines de seguridad. Si el enchufe suministrado no encaja en la toma, póngase en contacto con un electricista para sustituir la toma antigua.
10. Proteja el cable de alimentación de forma que nadie lo pise ni quede apretado, particularmente cerca de los enchufes, receptáculos de tomas múltiples y en el lugar en que sale del aparato.
11. Utilice sólo conexiones y accesorios suministrados por el fabricante.



D&M Europe B.V.;  
Beemdstraat 11; 5653 MA  
Eindhoven

12. Utilícelo sólo con el carrito, soporte, trípode, abrazadera o mesa especificada por el fabricante o que se venda con el dispositivo. Cuando se utilice un carrito, tenga cuidado al mover la combinación de carrito/dispositivo para evitar que se produzcan lesiones en caso de que se caiga.
13. Desenchufe el dispositivo durante tormentas eléctricas o si no lo va a utilizar durante periodos largos de tiempo.
14. Toda reparación debe ser realizada por personal cualificado. Lleve el dispositivo a reparar si presenta algún daño, como por ejemplo, si el cable de alimentación o el enchufe están dañados, si se han vertido líquidos o se han caído objetos sobre el dispositivo o si éste ha estado expuesto a la lluvia o humedad, si no funciona correctamente o si se ha caído al suelo.
15. El dispositivo puede usarse a una temperatura ambiental máxima de 45° C.
16. Para reducir el riesgo de descarga eléctrica, no abra el dispositivo. Por razones de seguridad, solo puede abrirlo personal cualificado.
17. PRECAUCIÓN: Para reducir el riesgo de fuego o de descarga eléctrica, no exponga este dispositivo a la lluvia o a la humedad. Y el dispositivo no debería ser expuesto a goteos o salpicaduras, y ningún objeto con líquido, como por ejemplo un vaso, debería colocarse sobre el dispositivo.
18. La toma de corriente alterna se utiliza como dispositivo de desconexión y debe permanecer fácilmente operable.
19. El producto deberá usarse en banco abierto.
20. No coloque sobre el aparato ninguna llama viva, como por ejemplo una vela.



21. PRECAUCIÓN: Riesgo de explosión si la batería está colocada incorrectamente. Reemplace solo con el mismo tipo o equivalente.
  22. La batería (batería, baterías o pack de batería) no debería ser expuesta a calor excesivo, como por ejemplo sol, fuego o similar.
  23. PRECAUCIÓN: Si el compartimento de la batería no cierra de forma segura, deje de usar el producto y manténgalo fuera del alcance de los niños y mascotas.
24. PRECAUCIÓN: No recargar baterías no recargables.  
25. PRECAUCIÓN: Evitar la exposición a calor o frío extremos.

## Información de cumplimiento de la UE

Apto para llevar la marca CE. Conforme a la Directiva de la Unión Europea de Bajo Voltaje 2014/35/EU; Directiva de compatibilidad electromagnética de la Unión Europea 2014/30/EU; Directiva de Restricción de Sustancias Peligrosas de la Unión Europea 2011/65/EU; Directiva de Residuos de Aparatos Eléctricos y Electrónicos de la Unión Europea 2012/19/EU; Directiva de la Unión Europea de Diseño Ecológico 2009/125/EC; Directiva de Registro, Evaluación, Autorización y Restricción de Sustancias Químicas de la Unión Europea 2006/121/EC; Directiva sobre equipos de radio de la Unión Europea (RED), 2014/53/UE.



Por este medio, Polk declara que la Signa Solo cumplen los requerimientos esenciales y otras provisiones relevantes de la directiva 2014/53/EU.

- EN 300 328  
Compatibilidad electromagnética y cuestiones de espectro de radiofrecuencia (ERM, por sus siglas en inglés); Equipos de transmisión de banda ancha; equipos de transmisión de datos operando en bandas ICM a 2,4 GHz y usando técnicas de modulación de espectro ensanchado;

EN armonizada cubriendo los requisitos esenciales según el artículo 3.2 de la directiva de R&TTE.

- EN 301 489-1  
Compatibilidad electromagnética y cuestiones de espectro de radiofrecuencia (ERM); compatibilidad electromagnética (EMC, por sus siglas en inglés) estándar para equipos radio y servicios; parte 1: requisitos técnicos comunes

-EN 301 489-17  
Compatibilidad electromagnética y cuestiones de espectro de radiofrecuencia (ERM); Estándar de Compatibilidad Electromagnética (EMC) para equipos y servicios radio; parte 17: Condiciones específicas para sistemas de transmisión de banda ancha de 2,4 GHz y equipos RLAN de alto rendimiento de 5 GHz

- EN 62479:2010  
Evaluación de la conformidad de los equipos eléctricos y electrónicos de baja potencia con las restricciones básicas relativas a la exposición humana a los campos electromagnéticos (10 MHz - 300 GHz).

## Garantía limitada de 1 año

Polk Audio, LLC ("Polk") garantiza al comprador minorista original que los altavoces inalámbricos de marca Polk Audio están libres de defectos en los materiales y en la mano de obra durante un período de (1) un año, bajo uso y condiciones normales. En caso de que este producto demostrara tener defectos de materiales o de mano de obra, Polk bajo su criterio, (a) reparará el producto, o (b) reemplazará el producto. Si el modelo de producto no estuviera ya disponible y no se pudiera reparar de forma efectiva, o reemplazar con un modelo idéntico, Polk puede, a su absoluto y exclusivo criterio, reemplazar la unidad con un modelo actual de valor igual o superior.

Para obtener servicio de garantía, por favor, visite el sitio web de Polk Audio en [www.polkaudio.com](http://www.polkaudio.com). También puede contactar con el servicio de atención al cliente de Polk Audio en el número 1-800-377-7655 para recibir instrucciones de dónde enviar el producto. Se le pedirá que proporcione el recibo original o factura de venta, identificando a usted como el comprador original e identificando la compra realizada a través de un vendedor autorizado Polk. Tendrá que enviar el producto, franqueado y asegurado, junto con la prueba de compra a Polk Audio, 1 Viper Way, Vista, CA 92081. El riesgo de pérdida o daño durante el transporte deberá ser asumido por el comprador. Los envíos a cobro revertido serán rechazados.

Esta garantía no es transferible y no se aplica a ningún producto que haya sido modificado o usado de una forma contraria a su propósito previsto. Esta garantía limitada queda anulada si el producto ha sido alterado o si falta el número de serie, o si el producto fue comprado a alguien que no sea un vendedor autorizado. Esta garantía limitada queda anulada si el producto ha sido dañado accidentalmente o por un uso indebido, negligente, mantenimiento inadecuado u otras causas no derivadas de defectos de materiales o fabricación. El producto o productos que se consideren dañados por un mal uso que produzca bobinas móviles dañadas térmicamente no están cubiertos por esta garantía pero pueden ser reemplazadas a la total y absoluta discreción de Polk. Esta garantía finaliza si usted vende o transfiere el producto a un tercero. Esta garantía limitada no cubre daños superficiales, daños en la pintura, daños a otros componentes, partes o preformas, o cualquier daño resultante por alguna razón.

Polk no garantiza que el producto funcionará sin interrupción o que el producto funcionará sin errores. Ciertas condiciones externas que están fuera del control de Polk pueden afectar al rendimiento general del producto, incluyendo entre otras, configuración de la red inalámbrica, rendimiento de la red inalámbrica, distancias entre el producto y la conexión a la red inalámbrica o a las fuentes del contenido, dispositivos de terceros, interferencias de radio o ambientales con el producto.

Polk puede ofrecer acceso a contenido de terceros o a proveedores de contenidos de terceros a través del producto. Polk se reserva el derecho de alterar, cambiar, discontinuar o modificar el acceso a cualquier contenido de terceros o a cualquier proveedor de contenidos de terceros en cualquier momento, por cualquier motivo. Polk no reconoce las garantías y representaciones ofrecidas por contenido de terceros o por proveedores de contenidos de terceros.

Polk no tendrá obligación de proporcionar actualizaciones o mejoras del producto, pero en caso de que sea así dichas actualizaciones y mejoras serán consideradas el "producto" y quedarán sujetas a los términos y condiciones establecidos aquí.

Esta garantía le proporciona derechos legales específicos y puede que usted tenga otros derechos que varían de un estado a otro. Todas las garantías incluyendo, entre otras, garantías expresas, garantías implícitas de COMERCIALIDAD E IDONEIDAD PARA UN DETERMINADO FIN, de no incumplimiento y la condición implícita de calidad satisfactoria están excluidas expresamente y rechazadas hasta el grado máximo que permita la ley, y Polk no asumen y autoriza a ninguna persona para asumir ninguna responsabilidad relacionada con la venta del producto. POLK no tiene absolutamente ninguna responsabilidad por cualquier acto de terceros. Algunos estados no permiten la exclusión de ciertas garantías implícitas, o condiciones en una garantía implícita, por tanto, puede que no se le aplique a usted la limitación anterior. Polk no acepta responsabilidad por daños especiales directos, indirectos, fortuitos, punitivos o consiguientes, pérdida de beneficios, pérdida de ahorros o daños resultantes de un curso inadecuado o de la incapacidad para usar el producto. Algunos estados no permiten la exclusión o limitación de daños fortuitos o consiguientes, y por tanto puede que no se le aplique a usted la limitación o exclusiones anteriores.

PRECAUCIÓN: Este producto contiene un químico que según el Estado de California provoca cáncer.



## Misure di sicurezza

### Dichiarazione di conformità FCC

- Questo dispositivo è conforme alle norme della FCC, Commissione Federale delle Comunicazioni, Parte 15. Il funzionamento è soggetto alle seguenti due condizioni:
  - Il dispositivo non sia causa di interferenze dannose ed
  - è tenuto ad accettare le interferenze ricevute, comprese le interferenze che possano causare malfunzionamento del dispositivo stesso.
- I cambiamenti o le modifiche non espressamente approvati dall'ente di conformità responsabile possono annullare l'autorizzazione dell'utente per l'utilizzo del dispositivo.

N.B. Questo apparecchio è stato collaudato ed è risultato conforme ai limiti per un dispositivo digitale Classe B, ai sensi della Parte 15 delle norme FCC. Questi limiti sono concepiti per offrire un'adeguata protezione contro interferenze dannose, in un impianto residenziale. Questo apparecchio genera, usa e può emettere energia in radiofrequenza; se non viene installato e utilizzato secondo le istruzioni, può causare interferenze dannose alle comunicazioni radio. Non è comunque garantita l'assenza di interferenze in particolari impianti.

Qualora l'apparecchio dovesse provocare interferenze nella ricezione radiotelevisiva, cosa che può verificarsi spegnendo e riaccendendo l'apparecchio, si consiglia di eliminare l'interferenza in un modo, o in più di un modo, di seguito:

- Riorientare o riposizionare l'antenna ricevente.
- Aumentare la distanza tra l'apparecchiatura e il ricevitore.
- Collegare l'apparecchio ad una presa di un circuito diverso da quello a cui è collegato il ricevitore.
- Rivolgersi al rivenditore o ad un tecnico dell'assistenza per ulteriori suggerimenti.

### Dichiarazione FCC sull'esposizione alle radiazioni RF

- I trasmettitori all'interno del dispositivo non devono essere posizionati o utilizzati in prossimità di altre antenne o trasmettitori.
- Questa apparecchiatura è conforme ai limiti di esposizione alle radiazioni stabiliti dall'FCC, definiti per un ambiente non controllato. L'apparecchio deve essere installato e messo in funzione ad una distanza minima di 20 cm tra il corpo irradiante e la persona.

### Innovazione, scienza e sviluppo economico (ISED) - Canada

Questo apparato digitale Classe B è conforme alla ICES-003 canadese. Per ridurre potenziali interferenze radio agli utenti, il tipo di antenna e il suo guadagno devono essere scelti in modo che la potenza equivalente irradiata isotropicamente (E.I.R.P.) non superi la potenza necessaria per la comunicazione corretta.

### Avvisi della guida per l'utente degli apparati radio esenti da licenza

Questo dispositivo è conforme con le Specifiche Standard Radio (RSS) senza licenza del dipartimento della Industry Canada. Il funzionamento è soggetto alle seguenti due condizioni:

- Questo dispositivo non può causare interferenze; e
- Questo dispositivo deve accettare qualsiasi interferenza, incluse le interferenze che potrebbero causare un comportamento non desiderato del dispositivo.

Cambiamenti o modifiche non espressamente approvati dall'ente responsabile della conformità, potrebbero invalidare il diritto dell'utente ad utilizzare l'apparecchiatura.

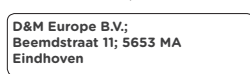
### Informativa sull'esposizione alle radio frequenze (RF)

La potenza dell'emissione radiata del dispositivo senza fili ("wireless") è al di sotto dei limiti di esposizione alle radio frequenze dell'Industry Canada (IC). Si deve utilizzare il dispositivo senza fili in modo tale per cui venga ridotto al minimo il potenziale di contatto con l'uomo.

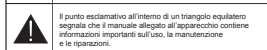
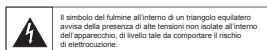
Questo dispositivo è stato testato e soddisfa i limiti applicabili per l'esposizione a radio frequenze IC RF nelle condizioni di esposizione a dispositivo mobile. (Nelle antenne sono superiori ai 20 cm dall'essere umano).

### Importanti istruzioni per la sicurezza

- Leggere le istruzioni.
- Conservare le istruzioni.
- Prestare attenzione a tutte le avvertenze.
- Attenersi a tutte le istruzioni.
- Non usare l'apparato in prossimità dell'acqua.
- Pulire solo con un panno asciutto.
- Non ostruire le aperture di ventilazione. Installare in osservanza delle istruzioni del fabbricante.
- Non installare in prossimità di fonti di calore come termosifoni, generatori di calore, stufe o altri apparati (amplificatori compresi) che producono calore.
- Non annullare l'obiettivo di sicurezza della spina polarizzata, o della messa a terra. Una spina polarizzata ha due lame, una più grande dell'altra. Una spina a terra ha due lame e un terzo polo di terra. La lama larga o il terzo polo sono forniti per la vostra sicurezza. Se la spina fornita non entra nella presa, consultare un elettricista per sostituire la presa obsoleta.
- Proteggere il cavo di alimentazione affinché non venga calpestato o schiacciato, in particolare, in prossimità delle spine, delle prese e del punto in cui esce dall'apparato.
- Usare solamente attacchi ed accessori specificati dal fabbricante.



- Usare solo con carrello, supporto, cavalletto, sostegno o tavolo specificati dal fabbricante o acquistati con l'apparato. Quando si usa un carrello, prestare attenzione quando lo si sposta insieme all'apparato per evitare cadute dall'alto.
- Scollegare l'apparecchio durante i temporali, o se non viene utilizzato per lunghi periodi di tempo.
- Per l'assistenza rivolgersi a personale qualificato. L'assistenza è necessaria quando l'apparecchio è stato in qualche modo danneggiato, come ad esempio, quando il cavo di alimentazione o la spina sono rovinati, sono stati rovesciati dei liquidi, o sono caduti degli oggetti all'interno, l'apparecchio è stato esposto a pioggia o umidità, non funziona normalmente, o è stato fatto cadere.
- L'apparecchio potrà essere usato con una temperatura ambiente al massimo di 45° C.
- Per ridurre il rischio di scosse elettriche, non aprire l'apparecchiatura. Per motivi di sicurezza, consentirne l'apertura solo a personale qualificato.
- AVVERTENZA. Per ridurre il rischio di incendi o scosse elettriche, non esporre l'apparato a pioggia o umidità. Inoltre, non deve essere esposto a gocce o spruzzi e a nessun oggetto contenente liquidi, come i vasi posti sopra l'apparecchio.
- L'ingresso AC viene utilizzato come dispositivo di scollegamento e dovrà essere facilmente accessibile.
- Il prodotto deve essere utilizzato su un banco aperto.
- Nessuna fiamma, come candele accese, deve essere collocata sopra l'apparecchio.



- ATTENZIONE. Pericolo di esplosione se la batteria viene sostituita in modo errato. Sostituire solo con lo stesso tipo o equivalente.
- La batteria (batteria, batterie o confezione batterie) non deve essere esposta a calore eccessivo come luce solare, fuoco o simili.
- AVVERTENZA. Se il vano batteria non si chiude in modo sicuro, smettere di usare il prodotto e tenerlo lontano dalla portata dei bambini e animali domestici.

24. AVVERTENZA. Non ricaricare le batterie non ricaricabili.

25. AVVERTENZA. Evitare l'esposizione a calore estremo o freddo.

### Informativa sulla conformità UE

Idoneo a sopportare il marchio CE; conforme alla Direttiva dell'Unione Europea sulla bassa tensione 2014/35/EU; Direttiva EMC Unione europea 2014/30/UE; Direttiva dell'Unione Europea 2011/65/UE Restrizioni per la rifusione di sostanze pericolose (RoHS); Direttiva dell'Unione Europea 2012/19/UE RAEE; Direttiva dell'Unione Europea 2009/125/CE Eco-Design; Direttiva dell'Unione Europea 2006/121/CE Registrazione, valutazione, autorizzazione e restrizioni di prodotti chimici (REACH); Direttiva dell'Unione europea sulle apparecchiature radio (RED), 2014/53/EU.



Con la presente, la Polk dichiara che il prodotto Signa Solo sound bar è conforme ai requisiti essenziali ed alle altre disposizioni pertinenti della Direttiva 2014/53/EU.

- EN 300 328

Compatibilità elettromagnetica e spettro radio (ERM); sistemi di trasmissione a banda larga; apparecchiature di trasmissione dati che operano nella banda ISM a 2,4 GHz e l'utilizzo di tecniche di modulazione di larghezza di banda.

Norma armonizzata EN relativamente ai requisiti essenziali dell'articolo 3.2 della Direttiva R&TTE.

- EN 301 489-1

Compatibilità elettromagnetica e spettro radio (ERM); standard compatibilità elettromagnetica (EMC) per apparecchiature e servizi radio; Parte 1: Requisiti tecnici comuni

- EN 301 489-17

Compatibilità elettromagnetica e spettro radio (ERM); compatibilità elettromagnetica (EMC) per apparecchiature e servizi radio; Parte 17: Condizioni specifiche per 2,4 GHz a banda larga sistemi di trasmissione e apparecchiature per RLAN ad alte prestazioni da 5 GHz

- EN 62479:2010

Valutazione della conformità di apparecchiature elettroniche ed elettriche di bassa potenza ai limiti di base relativi all'esposizione umana ai campi elettromagnetici (10 MHz a 300 GHz)

### Garanzia limitata 1 anno

La Polk Audio LLC ("Polk") garantisce all'acquirente al dettaglio originario che gli altoparlanti senza fili, a marchio Polk Audio, sono esenti da difetti nei materiali e nella fabbricazione, per un periodo di anni uno, in condizioni di normale utilizzo. Se questo prodotto dovesse rivelarsi difettoso nel materiale o nella fabbricazione, a sua discrezione, la Polk a) riparerà il prodotto, o b) sostituirà il prodotto. Se il modello del prodotto non fosse più disponibile e non possa essere riparato in modo efficace, o sostituito con un modello identico, la Polk può, a sua discrezione esclusiva e assoluta, sostituire l'unità con un modello attuale di valore uguale o superiore.

Per ottenere il servizio della garanzia, si rimanda al sito internet Polk Audio, [www.polkaudio.com](http://www.polkaudio.com). È, inoltre, possibile contattare il Servizio Clienti Polk Audio al numero 1-800-377-7655 per le informazioni su dove inviare il prodotto. Sarà richiesto di produrre una ricevuta originale, o documentazione di vendita, per l'identificazione come acquirente originario e perché l'acquisto sia stato effettuato tramite un rivenditore autorizzato Polk. Sarà necessario spedire il prodotto, prepagato e assicurato, unitamente alla prova di acquisto, alla Polk Audio, 1 Viper Way, Vista, CA 92081. Il rischio di perdita o danneggiamento durante il trasporto sono a carico dell'acquirente. Le spedizioni in porto assegnato saranno rifiutate.

La garanzia non è trasferibile e non si applica a qualsiasi prodotto che sia stato modificato, o utilizzato in modo contrario alla sua destinazione. La presente garanzia limitata è nulla se il prodotto ha un numero di serie alterato o mancante, o se il prodotto è stato acquistato da un soggetto diverso da un rivenditore autorizzato. La presente garanzia limitata è nulla se il prodotto è stato danneggiato incidentalmente, o da uso irragionevole, negligenza, manutenzione impropria, o altre cause non derivanti da difetti di materiale o di costruzione. I prodotti che si trovano ad essere danneggiati da abuso, con conseguenti bobine danneggiate termicamente, non sono coperti da garanzia, ma possono essere sostituiti a sola e assoluta discrezione della Polk. La presente garanzia finisce laddove si venda, o si trasferisca altrimenti il prodotto a terzi. La presente garanzia limitata non copre danni estetici, danni alla vernice, danni ad altri componenti, parti o sedi, o danni indiretti che possano derivare, per qualsiasi motivo.

La Polk non garantisce che il prodotto funzionerà senza interruzioni, o che il prodotto funzionerà senza errori. Alcuni fattori esterni, fuori dal controllo della Polk, possono influenzare le prestazioni complessive del prodotto, tra cui, a titolo esemplificativo, la configurazione di rete wireless, le prestazioni della rete wireless, la distanza tra il prodotto e la connessione di rete wireless e/o fonti di contenuti, dispositivi di terzi, interferenze radio e/o ambientali con il prodotto.

La Polk può offrire l'accesso a contenuti di terzi, o a fornitori di contenuti di terzi, tramite il prodotto. La Polk si riserva il diritto di alterare, modificare, sospendere o modificare l'accesso a qualsiasi contenuto di terzi, o di fornitori di contenuti terzi, in qualsiasi momento, per qualsiasi motivo. La Polk declina ogni garanzia o dichiarazione offerta da qualsiasi contenuto di terzi, o di fornitori di contenuti di terzi.

La Polk non è obbligata a fornire aggiornamenti o miglioramenti al prodotto, ma, nel caso in cui ne dovesse fornire, tali aggiornamenti e miglioramenti si considerano parte integrante del "prodotto" e sono, pertanto, soggetti ai termini e alle condizioni indicati nel presente documento.

LA PRESENTE GARANZIA CONFERISCE DIRITTI SPECIFICI E, IN ALCUNI CASI, ALTRI DIRITTI VARIABILI DA STATO A STATO. TUTTE LE GARANZIE, IVI COMPRESI, A TITOLO ESEMPLIFICATIVO, GARANZIE ESPRESSE, GARANZIE DI COMMERCIALIZZAZIONE E IDONEITÀ PER UN PARTICOLARE SCOPO; LA NON VIOLAZIONE E LA CONDIZIONE IMPLICITA DI QUALITÀ SODDISFACENTE SONO ESPRESSAMENTE ESCLUSE E DECLINATE, NELLA MISURA MASSIMA CONSENTITA DALLA LEGGE; NÉ LA POLK SI ASSUME NÉ AUTORIZZA QUALSIASI SOGGETTO, AD ASSUMERSENE OGNI RESPONSABILITÀ, IN RELAZIONE ALLA VENDITA DEL PRODOTTO. LA POLK NON HA ASSOLUTAMENTE ALCUNA RESPONSABILITÀ PER ATTI DI TERZI. ALCUNI STATI NON CONSENTONO L'ESCLUSIONE DI ALCUNE GARANZIE, O CONDIZIONI SU UNA GARANZIA IMPLICITA, QUINDI, LA LIMITAZIONE DI CUI SOPRA POTREBBE NON ESSERE APPLICABILE. LA POLK NON ACCETTA RESPONSABILITÀ PER DANNI SPECIALI, ACCIDENTALI, PUNITIVI O INDIRETTI, PERDITA DI PROFITTI E DI RISPARMI, O PER DANNI DERIVANTI DA USO IMPROPRIO, O INCAPACITÀ DI UTILIZZARE IL PRODOTTO. LA RESPONSABILITÀ MASSIMA PER LA QUALE LA POLK PUÒ ESSERE IMPUTABILE NON SUPERERÀ IL PREZZO DI ACQUISTO DEL PRODOTTO. ALCUNI STATI NON CONSENTONO L'ESCLUSIONE O LA LIMITAZIONE DI DANNI DIRETTI O INDIRETTI, PERTANTO LE SUDETTE LIMITAZIONI O ESCLUSIONI POTREBBERO NON ESSERE APPLICABILI.

AVVERTENZA. Questo prodotto contiene un prodotto chimico che è noto allo Stato della California come cancerogeno.

## Sicherheitsvorkehrungen

### FCC-Erklärung

- Dieses Gerät entspricht Teil 15 der FCC-Bestimmungen. Der Betrieb unterliegt den folgenden zwei Bedingungen:
  - Dieses Gerät darf keine schädlichen Störungen verursachen, und
  - Dieses Gerät muss alle empfangenen Störungen akzeptieren, auch Störungen, die einen unerwünschten Betrieb verursachen.
- Jegliche Änderungen oder Modifikationen, die nicht ausdrücklich von der zuständigen Stelle genehmigt wurden, können zum Erlöschen der Betriebslaubnis durch den Benutzer führen.

**HINWEIS:** Dieses Gerät wurde getestet und erfüllt die Grenzwerte für ein Gerät der Klasse B gemäß Teil 15 der FCC-Vorschriften. Diese Grenzwerte sollen einen angemessenen Schutz vor schädlichen Störungen in Wohngebieten gewährleisten. Dieses Gerät erzeugt, verwendet und kann Hochfrequenzenergie ausstrahlen, und wenn es nicht installiert und in Übereinstimmung mit den Vorschriften verwendet wird, kann es zu Störungen des Funkverkehrs führen. Es gibt jedoch keine Garantie, dass Störungen in einer bestimmten Installation nicht auftreten.

Wenn dieses Gerät Störungen des Radio- oder Fernsehempfang verursacht, was durch Ausschalten des Geräts und festgestellt werden kann, wird der Benutzer aufgefordert, die Störungen durch eine oder mehrere der folgenden Maßnahmen zu beheben:

- Richten Sie die Empfangsantenne neu aus oder stellen diese um.
- Vergrößern Sie den Abstand zwischen dem Gerät und dem Empfänger.
- Schließen Sie das Gerät an eine Steckdose in einem anderen Stromkreis an, als an den der Empfänger angeschlossen ist.
- Fragen Sie den Händler oder einen erfahrenen Radio- /und Fernsehtechniker.

### FCC-RF-Strahlenbelastungserklärung

- Dieser Sender darf nicht in Verbindung mit anderen Antennen oder Sender aufgestellt oder in Betrieb sein.
- Dieses Gerät entspricht den FCC-Strahlenbelastungsgrenzen, die für eine unkontrollierte Umgebung festgelegt wurden. Dieses Gerät sollte mit einem Mindestabstand von 20 cm zwischen dem Strahler und Ihrem Körper installiert und betrieben werden.

### Innovation, Wissenschaft und wirtschaftliche Entwicklung (ISED) Kanada

Dieses Gerät der Klasse B entspricht der kanadischen Norm ICES-003. Um mögliche Funkstörungen von anderen Benutzern zu reduzieren, sollte der Antennentyp und seine Verstärkung so gewählt werden, dass die äquivalente isotrope Strahlungsleistung (EIRP) nicht mehr als die beträgt, die für eine erfolgreiche Kommunikation zulässig ist.

### Hinweis aus dem Benutzerhandbuch für lizenzfreie Funkvorrichtung

Dieses Gerät entspricht den kanadischen Lizenzierungsrichtlinien für genehmigungsfreie RSS. Der Betrieb unterliegt den beiden folgenden Bedingungen:

- (1) Dieses Gerät darf keine Interferenzen verursachen; und
- (2) Dieses Gerät muss jegliche Interferenzen aufnehmen, einschließlich solcher, die zu unbeabsichtigtem Betrieb des Geräts führen können.

Änderungen oder Modifikationen, die nicht ausdrücklich von der für die Einhaltung der Vorschriften verantwortlichen Partei genehmigt wurden, können zum Erlöschen der Betriebslaubnis für das Gerät führen.

### Radiofrequenz (RF) Informationen zur Belastung

Die Strahlungsleistung des Wireless-Gerät liegt unter den Grenzwerten, die von Industry Canada (IC) für hochfrequente Strahlung festgelegt wurden. Das drahtlose Gerät sollte auf einer solchen Art und Weise verwendet werden, so dass Risiken durch menschlichen Kontakt während des normalen Betriebs minimiert werden.

Dieses Gerät wurde auch mit den IC RF Expositionsgrenzwerte unter mobilen Belichtungsbedingungen entsprechend ausgewertet und in Übereinstimmung gebracht. (Antennen größer als 20 cm vom Körper einer Person entfernt).

### Wichtige Sicherheitsanweisungen

- Lesen Sie diese Anweisungen gut durch.
- Bewahren Sie diese Anweisungen gut auf.
- Beachten Sie alle Hinweise.
- Befolgen Sie alle Anweisungen.
- Dieses Gerät nicht in der Nähe von Wasser betreiben.
- Reinigen Sie es nur mit einem trockenen Tuch.
- Blockieren Sie keine Lüftungsöffnungen. Nur in Übereinstimmung mit den Anweisungen des Herstellers installieren.
- Stellen Sie das Gerät nicht in der Nähe von Wärmequellen wie Radiatoren, Heizkörpern, Öfen oder anderen Geräten (einschließlich Verstärkern) auf, die Wärme erzeugen.
- Beschädigen Sie nicht die Sicherheitsfunktion des polarisierten oder geerdeten Steckers. Ein polarisierter Stecker hat zwei Klingen, wovon eine breiter als die andere ist. Ein geerdeter Stecker weist zwei Stifte und einen dritten Erdungsstift auf. Der breite Stift oder der dritte Stift dienen Ihrer Sicherheit. Wenn der mitgelieferte Stecker nicht in die Steckdose passt, rufen Sie einen Elektriker, um die veraltete Steckdose austauschen zu lassen.
- Vermeiden Sie, über das Netzkabel zu gehen oder es abzuknicken, insbesondere an Steckern, Steckdosen und an der Stelle, wo es aus dem Gerät austritt.
- Nur Geräte und Zubehör verwenden, das vom Hersteller spezifiziert wurde.

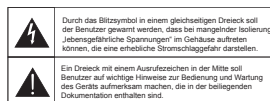


D&M Europe B.V.;  
Beemdstraat 11; 5653 MA  
Eindhoven

- Verwenden Sie nur Wagen, Ständer, Stativ, Halter oder Tische, die vom Hersteller empfohlen oder mit dem Gerät verkauft wurden. Wenn Sie einen Wagen verwenden, seien Sie vorsichtig, wenn Sie den Wagen bzw. das Gerät bewegen, um Verletzungen durch Umkippen zu vermeiden.
- Trennen Sie das Gerät während eines Gewitters oder bei längerer Nutzungspause vom Stromnetz ab.
- Lassen Sie alle Wartungsarbeiten qualifiziertem Servicepersonal. Eine Wartung ist notwendig, wenn das Gerät in irgendeiner Weise beschädigt wurde, wie zum Beispiel, wenn das Stromkabel oder der Stecker beschädigt ist, Flüssigkeit verschüttet wurde oder Gegenstände in das Gerät gefallen sind, das Gerät Regen oder Feuchtigkeit ausgesetzt wurde, nicht normal funktioniert, oder fallen gelassen wurde.
- Das Gerät kann bis zu einer Umgebungstemperatur von höchstens 45 °C verwendet werden.
- Öffnen Sie das Gerät nicht, um die Gefahr eines elektrischen Schlags zu reduzieren. Aus Sicherheitsgründen darf es nur auf die von qualifiziertem Servicepersonal geöffnet werden.
- WARNUNG:** Um die Gefahr von Feuer oder Stromschlag zu vermeiden, setzen Sie dieses Gerät weder Regen oder Feuchtigkeit aus. Das Gerät darf nicht Tropf- oder Spritzwasser ausgesetzt werden und es dürfen keine Gegenstände mit Flüssigkeiten, wie zum Beispiel Vasen, auf dem Gerät abgestellt werden.



- Der Wechselstromeingang wird als Trennvorrichtung genutzt und muss leicht zugänglich bleiben.
- Das Produkt wird auf offener Bank verwendet.
- Es dürfen keine offenen Flammen – wie zum Beispiel brennende Kerzen – auf dem Gerät abgestellt werden.



- VORSICHT:** Explosionsgefahr droht, wenn die Batterie nicht korrekt ersetzt wird. Ersatz nur mit dem gleichen oder gleichwertigen Typ.
- Die Batterie (Batterie, Batterien oder Akkus) dürfen nicht zu starker Hitze ausgesetzt werden – wie zum Beispiel Sonnenschein, Feuer oder ähnlichem.
- WARNUNG:** Wenn sich das Batteriefach nicht sicher schließen lässt, setzen Sie das Produkt nicht weiter ein und halten Sie es von Kindern und Haustieren fern.
- WARNUNG:** Versuchen Sie bitte niemals, nicht wiederaufladbare Batterien aufzuladen.
- WARNUNG:** Vermeiden Sie extreme Hitze und Kälte.

### EU-Konformitätsinformationen

Berechtigt, das CE-Zeichen zu tragen; Entspricht der EU-Niederspannungsrichtlinie L 2014/35/EU; EMV-Richtlinie der Europäischen Union 2014/30/EU; Beschränkung der Europäischen Union Richtlinie über gefährliche Stoffe (RoHS) Richtlinie 2011/65/EU; Europäische Union WEEE-Richtlinie 2012/19/EU; Europäische Richtlinie zur Ökodesign-Richtlinie 2009/125 / EG; Registrierung, Bewertung, Richtlinie 2006/121 / EG Zulassung und Beschränkung chemischer Stoffe (REACH); Europäische Funkanlagenrichtlinie (R&TE-Richtlinie) 2014/53/EU



Hiermit erklärt Polk, dass Signa Solo in Übereinstimmung mit den grundlegenden Anforderungen und den anderen relevanten Vorschriften der Richtlinie 2014/53/EU steht.

- EN 300 328 V2.1.1 (2016-11) Elektromagnetische Verträglichkeit und Funkspektrumangelegenheiten (ERM); Breitbandübertragungssysteme; Datenübertragungsgeräte im 2,4-GHz-ISM-Band unter Nutzung von Breitband-Modulationstechniken;

Harmonisierte EN, die die grundlegenden Anforderungen von Artikel 3.2 der R & TTE-Richtlinie abdeckt.

- EN 301 489-1

Elektromagnetische Verträglichkeit und Funkspektrum-Angelegenheiten (ERM); Elektromagnetische Verträglichkeit (EMV) für Funkgeräte und -dienste; Teil 1: Gemeinsame technische Anforderungen

- EN 301 489-17

Elektromagnetische Verträglichkeit und Funkspektrumangelegenheiten (ERM); Elektromagnetische Verträglichkeit (EMV) für Funkgeräte und -dienste; Teil 17: Besondere Bedingungen für die 2,4-GHz-Breitband-Übertragungssysteme und 5 GHz -RLAN-Hochleistungs-ausrüstung

- EN 62479:2010

Beurteilung der Einhaltung von elektronischen und elektrische Geräte mit den grundlegenden Einschränkungen im Zusammenhang mit der menschlichen Exposition gegenüber elektromagnetischen Feldern (10 MHz bis 300 GHz)

### Garantie begrenzt auf ein Jahr

Polk Audio, LLC ("Polk") garantiert dem ursprünglichen Käufer, dass die drahtlosen Lautsprecher der Marke Polk Audio für einen Zeitraum von (1) einem Jahr unter normalen Betriebsbedingungen und Bedingungen von Mängeln in Material und Verarbeitung frei sind. Sollte dieses Produkt trotzdem Material- oder Herstellungsfehler aufweisen, wird Polk nach seiner Entscheidung das Produkt entweder (a) reparieren oder (b) ersetzen. Wenn das Produkt Modell nicht mehr verfügbar ist, nicht effektiv repariert oder mit einem identischen Modell ersetzt werden kann, kann Polk nach alleinigen und absoluten Ermessen das Gerät mit einem aktuellen Modell von gleichem oder höherem Wert ersetzen.

Um Garantieleistungen zu erhalten, besuchen Sie bitte die Audio-Website von Polk unter [www.polkaudio.com](http://www.polkaudio.com). Sie können auch den Audio-Kundendienst von Polk unter der Rufnummer 1-800-377-7655 für weitere Anweisungen kontaktieren, an wen Sie das Produkt einsenden müssen. Sie werden benötigt, einen ursprünglichen Eingang oder Kaufvertrag zur Verfügung zu stellen, um als der ursprüngliche Käufer zu identifizieren und die über einen autorisierten Vertragshändler von Polk abgeschlossenen Kauf zu identifizieren. Sie müssen das Produkt frei und versichert zusammen mit dem Kaufbeleg an Polk Audio, 1 Viper Way, Vista, CA 92081, USA einsenden. Die Gefahr des Verlustes oder Transportschäden sind vom Käufer zu tragen. Unfreie Sendungen werden abgelehnt.

Diese Garantie ist nicht übertragbar und gilt nicht für jedes Produkt, das auf eine Art und Weise modifiziert oder verwendet wurde, die dem ursprünglichen Zweck entgegensteht. Diese eingeschränkte Garantie erlischt, wenn das Produkt eine veränderte oder fehlende Seriennummer hat, oder wenn das Produkt von einer anderen Person als einem autorisierten Vertragshändler erworben wurde. Diese eingeschränkte Garantie erlischt, wenn das Produkt durch einen Unfall oder unsachgemäßen Gebrauch, Vernachlässigung, unsachgemäße Wartung oder aus anderen Gründen, die sich nicht auf Defekte im Material oder in der Konstruktion zurückführen lassen. Produkt(e), die durch Missbrauch beschädigt wurden, der zu thermisch geschädigten Schwingspulven führte, werden durch diese Garantie nicht abgedeckt, sondern können nur im alleinigen Ermessen von Polk ersetzt werden. Die Garantie erlischt, wenn Sie das Produkt verkaufen oder auf andere Weise auf eine andere Partei zu übertragen. Diese eingeschränkte Garantie gilt nicht für kosmetische Schäden, Lackschäden, Schäden an anderen Komponenten, Teilen oder Räumlichkeiten oder Folgeschäden, die aus irgendeinem Grund entstehen können.

Polk garantiert nicht, dass das Produkt ohne Unterbrechung oder fehlerfrei betrieben werden kann. Bestimmte äußere Bedingungen, die außerhalb der Kontrolle Polks liegen, können die Gesamtleistung des Produkts beeinträchtigen, einschließlich, aber nicht beschränkt auf drahtlose Netzwerkconfiguration, die Leistung des drahtlosen Netzes, Abstände zwischen Produkt und der drahtlosen Netzwerkverbindung und / oder Inhaltsquellen beschränkt, Geräte Dritter, Radio und / oder Umweltinterferenz mit dem Produkt.

Polk kann den Zugriff auf Inhalte Dritter oder Drittanbieter von Inhalten über das Produkt anbieten. Polk behält sich das Recht vor, den Zugriff auf Inhalte von Dritten oder dritten Content-Providern jederzeit aus irgendeinem Grund zu ändern, zu modifizieren bzw. ganz einzustellen. Polk schließt alle durch Inhalte von Dritten oder Anbieter von Inhalten Dritter angebotenen Garantien und Erklärungen aus.

Polk ist nicht verpflichtet, Aktualisierungen oder Upgrades für das Produkt zur Verfügung zu stellen, aber in dem Fall, dass sie es dennoch anbieten, wie zum Beispiel Updates und Upgrades, soll dies als ein „Produkt“ erachtet werden, und unterliegt demgemäß den hier angegebenen Bedingungen.

DIESE GARANTIE GIBT IHNEN BESTIMMTE RECHTE UND SIE KÖNNEN ANDERE RECHTE HABEN, DIE SICH VON STAAT ZU STAAT UNTERSCHIEDEN. ALLE GARANTIEEN, EINSCHLIESSLICH, ABER NICHT BESCHRÄNKT AUF EXPLIZITE GARANTIEEN SOWIE IMPLIZITE GARANTIEEN ÜBER DIE EIGNUNG FÜR EINEN BESTIMMTEN ZWECK, NICHT-VERLETZUNG UND IMPLIZITER ZUSTAND BEFRIEDIGENDER QUALITÄT SIND AUSDRÜCKLICH AUSGESCHLOSSEN UND WERDEN BIS AUF'S ÄUßERSTE WIE VOM GESETZ ZULÄSSIG ABGELEHNT, UND POLK ÜBERNIMMT WEDER NOCH AUTORISIERT IRGEND EINE PERSON, IRGEND EINE HAFTUNG IM ZUSAMMENHANG MIT DEM VERKAUF DES PRODUKTS ZU ÜBERNEHMEN. POLK ÜBERNIMMT ABSOLUT KEINE HAFTUNG FÜR HANDLUNGEN DRITTER. IN EINIGEN STAATEN IST DER AUSSCHLUSS BESTIMMTER IMPLIZIERTER GARANTIEEN ODER BEDINGUNGEN FÜR DIE ANGENOMMENEN GARANTIEEN NICHT ZULÄSSIG, SO DASS OBEN GENANNT EINSCHRÄNKUNGEN FÜR SIE NICHT ZUTREFFEN. POLK ÜBERNIMMT KEINERLEI HAFTUNG FÜR BESONDERE, INDIREKTE, ZUFÄLLIGE, STRAFBARE ODER FOLGESCHÄDEN, GEWINNVERLUSTE, EINSPARUNGEN ODER SCHÄDEN AUS UNSACHGEMÄßER VERWENDUNG ODER DER UNFÄHIGKEIT, DAS PRODUKT ZU VERWENDEN. DIE HÖCHSTGRENZE DER HAFTUNG, FÜR DIE POLK JEMALS VERANTWORTLICH ZU MACHEN SEIN KÖNNTE, ENTSPICHT DEM KAUFPREIS DES PRODUKTS. IN EINIGEN STAATEN IST DER AUSSCHLUSS BESTIMMTER IMPLIZIERTER GARANTIEEN ODER BEDINGUNGEN FÜR DIE ANGENOMMENEN FOLGESCHÄDEN NICHT ZULÄSSIG, SO DASS OBEN GENANNT EINSCHRÄNKUNGEN FÜR SIE NICHT ZUTREFFEN.

WARNUNG: Dieses Produkt enthält eine Chemikalie, die dem den US-Bundesstaat Kalifornien als krebserregend bekannt ist.



1 Viper Way  
Vista, CA 92081  
800 377 7655  
[www.polkaudio.com](http://www.polkaudio.com)

HBP3831A