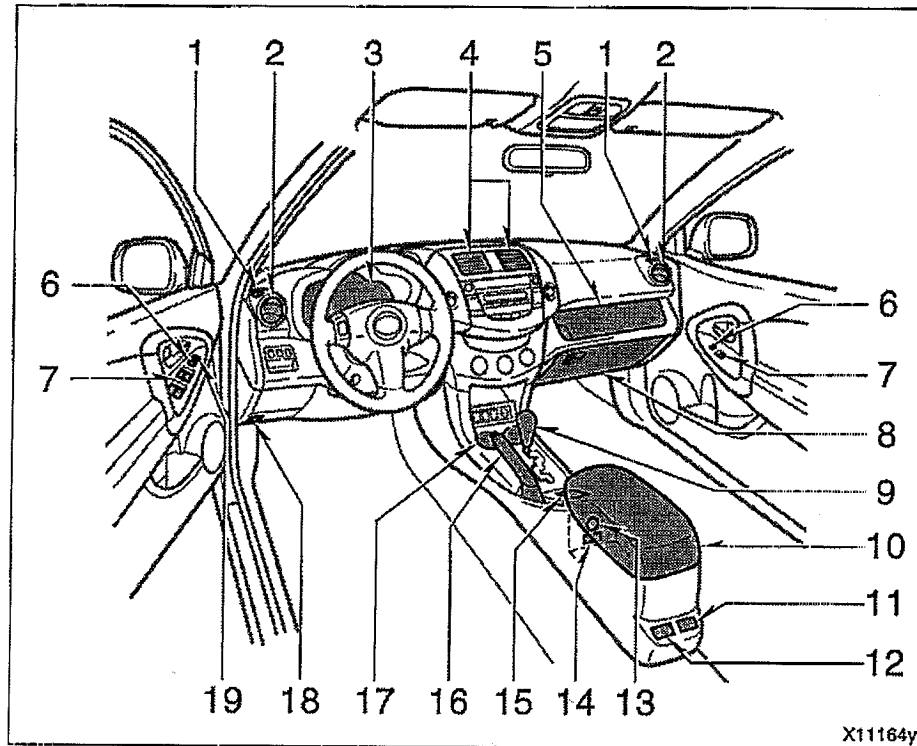


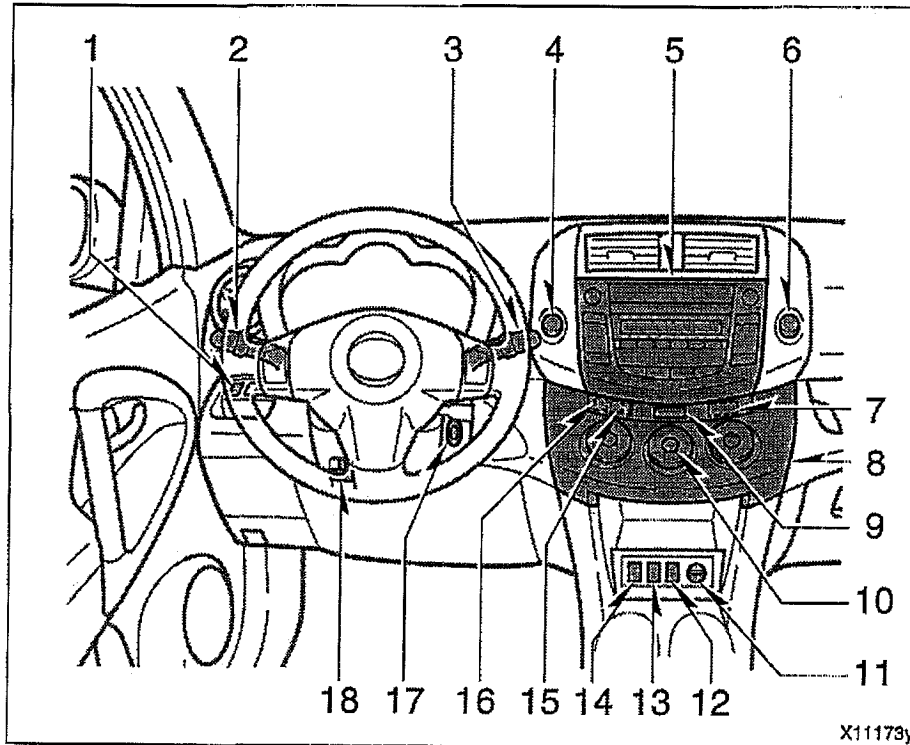
### Instrument panel overview

►View A

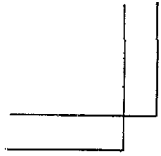


1. Side defroster outlets
2. Side vents
3. Instrument cluster
4. Center vents
5. Auxiliary box
6. Power door lock switches
7. Power window switches
8. Glove box
9. Automatic transmission selector lever
10. Rear console box
11. A/V input adapter
12. Power outlet (115 VAC)
13. Power outlet (12 VDC)
14. AUX adapter
15. Power rear view mirror control switches
16. Parking brake lever
17. Cup holders
18. Hood lock release lever
19. Window lock switch

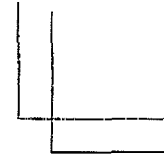
►View B (with manual air conditioning system)



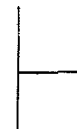
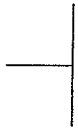
1. Instrument panel light control dial
2. Headlight, turn signal and front fog light switches
3. Wiper and washer switches
4. Four-wheel drive lock switch (four-wheel drive models) or "AUTO LSD" switch (two-wheel drive models)
5. Audio system
6. Emergency flasher switch
7. Front passenger occupant classification indicator light
8. Air conditioning controls
9. Clock display
10. Rear window and outside rear view mirror defogger switch
11. Power outlet
12. Windshield wiper de-icer switch
13. Seat heater switch
14. Downhill assist control switch
15. Front passenger's seat belt reminder light
16. Engine immobilizer system indicator light



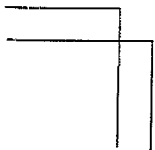
'07 Rav4\_U (L/O 0608)



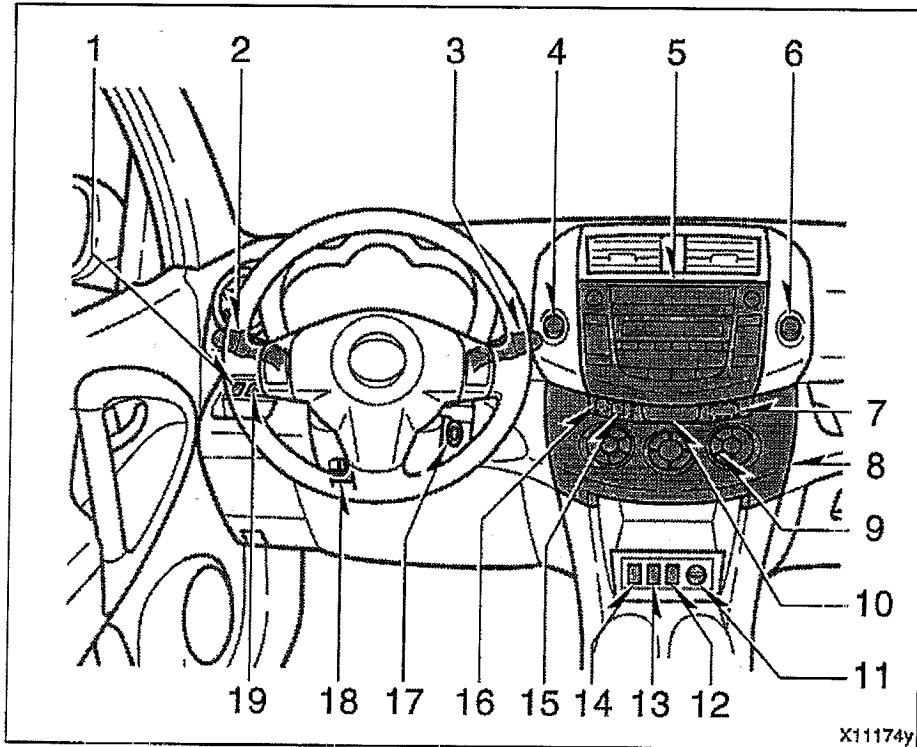
- 17. Ignition switch
- 18. Tilt and telescopic steering lock release lever



4



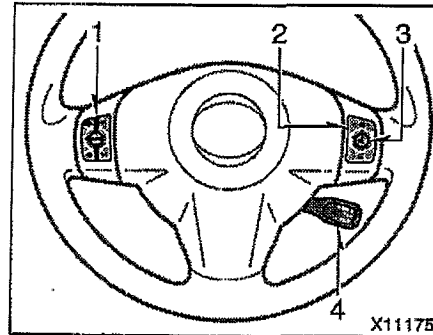
►View B (with automatic air conditioning system)



1. Instrument panel light control dial
2. Headlight, turn signal and front fog light switches
3. Wiper and washer switches
4. Four-wheel drive lock switch (four-wheel drive models) or "AUTO LSD" switch (two-wheel drive models)
5. Audio system
6. Emergency flasher switch
7. Front passenger occupant classification indicator light
8. Air conditioning controls
9. Rear window and outside rear view mirror defogger switch
10. Clock and air conditioning display
11. Power outlet
12. Windshield wiper de-icer switch
13. Seat heater switch
14. Downhill assist control switch
15. Front passenger's seat belt reminder light
16. Engine immobilizer system indicator light

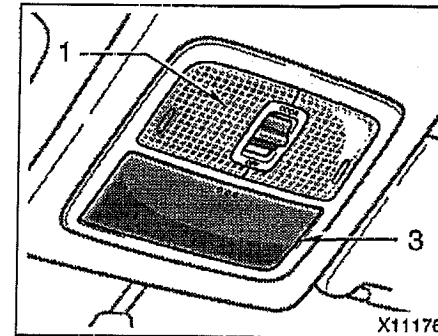
- 17. Ignition switch
- 18. Tilt and telescopic steering lock release lever
- 19. Power outlet main switch

### Steering switches overview

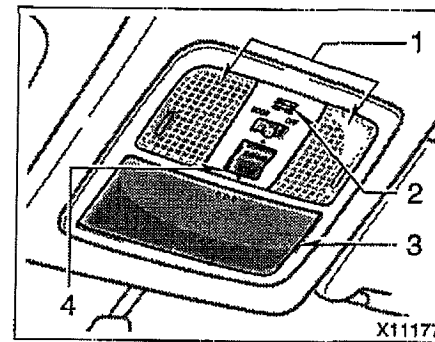


- 1. Audio remote control switches
- 2. Telephone switch
- 3. Speech command switch
- 4. Cruise control switch

### Overhead console overview



Without electric moon roof



With electric moon roof

## Hands-free phone system— —Reference

### Phone Setup (see page 242)

- **Pair phone**  
To use the hands-free system, you need to register your phone in the system.
- **Change name**  
The registered phone names can be changed.
- **Delete**  
The registered phones can be deleted.
- **List phones**  
The registered phone names can be checked.
- **Select phone**  
The registered phones can be selected.
- **Set passkey**  
The passkey can be changed.

### Security (see page 247)

- **Set PIN**  
The PIN can be set or changed.
- **Phone book lock**  
The phone book can be locked.
- **Phone book unlock**  
The locked phone book can be unlocked.

### System Setup (see page 251)

- **Adjust Guidance Volume**  
Guidance volume can be adjusted.
- **Initialize**

### Phone Book (see page 251)

- **Add Entry**  
Phone numbers and voice tags can be registered.
- **Change Name**  
The registered names can be changed.
- **Delete Entry**  
The registered names can be deleted.

- **Delete Speed Dial**

The registered speed dial can be deleted.

- **List names**

The registered names can be checked.

- **Set Speed Dial**

Speed dials can be set

**Redial (see page 259)**

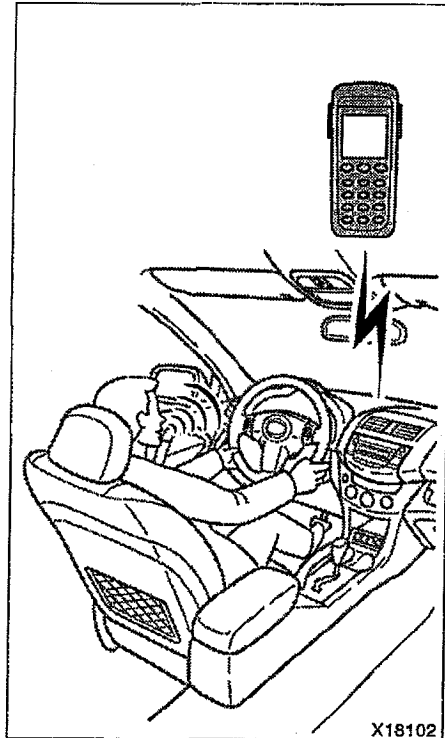
**Callback (see page 260)**

**Making a phone call (see page 262)**

**Receiving a phone call (see page 264)**

**Talking on the phone (see page 265)**

—Some basics



This system supports Bluetooth®, a wireless system that allows you to make or receive calls without taking your hands from the steering wheel and without using cables to connect the phone and system.

The phone must be paired to the system before using the hands-free feature. If your cellular phone does not support Bluetooth®, this system will not function.

**CAUTION**

While you are driving, do not use a cellular phone or connect the Bluetooth® phone.

**NOTICE**

Do not leave your cellular phone in the car. The temperature indoors may be high and damage the phone.

The system may not function in the following conditions and places:

- The cellular phone is turned off.
- The current position is outside the communication area.
- The cellular phone is not connected.
- The cellular phone has a low battery.
- The cellular phone is located behind the seat or in the glove box and console box.
- The cellular phone touches or is covered with metal materials.

This system supports the following service.

- HFP (Hands Free Profile) Ver.1.0
- DNP (Dial-up Networking Profile) Ver.1.1
- OPP (Object Push Profile) Ver.1.1

If your cellular phone does not support HFP, you cannot enter the Bluetooth® phone, and take OPP service individually.



BLUETOOTH is a trademark owned by Bluetooth SIG, Inc.

When transferring ownership of the vehicle:

**A lot of personal data is registered when you use the hands-free system. When transferring ownership of the vehicle, initialize the system.**

If you initialize it, the former state will never come back again. Pay much attention when initializing the data.

You can initialize the following data in the system.

- Phone book data
- Dialed numbers and received calls
- Speed dial
- Bluetooth® phone data
- Security code

FCC ID : BABBT010A  
IC ID : 2024B-BT010A  
MADE IN CHINA

This device complies with Part 15 of the FCC Rules and RSS-210. Operation is subject to the following two conditions (1) This device may not cause harmful interference, and (2) This device must accept any interference received, including interference that may cause undesired operation.

 **CAUTION**

**Changes or modifications not expressly approved by the party responsible for compliance could void the user's authority to operate the equipment.**

**NOTE:** This equipment has been tested and found to comply with the limits for a Class B digital device, pursuant to part 15 of the FCC Rules. These limits are designed to provide reasonable protection against harmful interference in a residential installation. This equipment generates, uses and can radiate radio frequency energy and, if not installed and used in accordance with the instructions, may cause harmful interference to radio communications. However, there is no guarantee that interference will not occur in a particular installation. If this equipment does cause harmful interference to radio or television reception, which can be determined by turning the equipment off and on, the user is encouraged to try to correct the interference by one or more of the following measures:

- Reorient or relocate the receiving antenna.
- Increase the separation between the equipment and receiver.
- Connect the equipment into an outlet on a circuit different from that to which the receiver is connected.
- Consult the dealer or an experienced radio/TV technician for help.



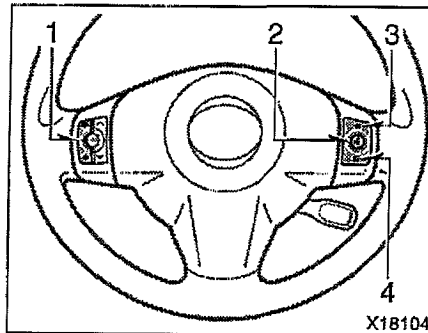
—Control and features

►Steering switches and microphone

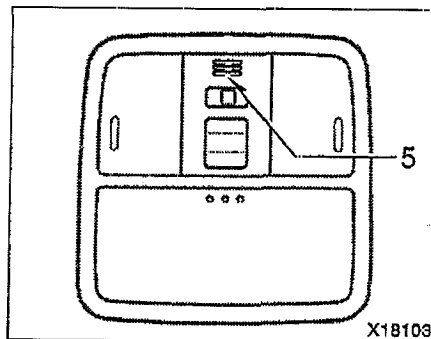
**CAUTION:** Radio Frequency Radiation Exposure

This equipment complies with FCC/IC radiation exposure limits set forth for uncontrolled equipment and meets the FCC radio frequency (RF) Exposure Guidelines in Supplement C to OET65 and RSS-102 of the IC radio frequency(RF)Exposure rules. This equipment has very low levels of RF energy that it deemed to comply without maximum permissive exposure evaluation (MPE). But it is desirable that it should be installed and operated with at least 20cm and more between the radiator and person's body (excluding extremities: hands, wrists, feet and legs).

**Co-location :** This transmitter must not be co-location or operated in conjunction with any other antenna or transmitter.



Steering switches



Microphone

**1. Volume control switch**

To increase the volume: Push "+".  
To decrease the volume: Push "-".

When driving at 80 km/h (50 mph) or more, the volume automatically increases without switch adjustment. When your speed falls below 70 km/h (43 mph), the volume automatically returns to its original level.

Voice guidance volume cannot be changed by pushing the volume control switch on the steering wheel.

**2. Talk switch**

Pushing the talk switch turns the hands-free system on and initiates the speech command system.

**3. On-hook switch**

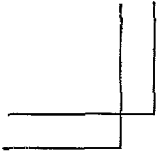
When the hands-free system is on, pushing the on-hook switch turns the hands-free system off.

Pushing and holding the talk switch ends the speech command system.

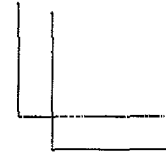
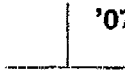
**4. Off-hook switch**

Pushing the off-hook switch turns the hands-free system on.

When receiving a call, pushing the off-hook switch allows you to talk on the phone.

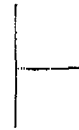


'07 Rav4\_U (L/O 0608)

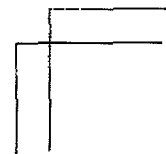
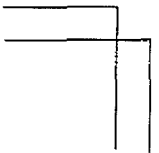


**5. Microphone**

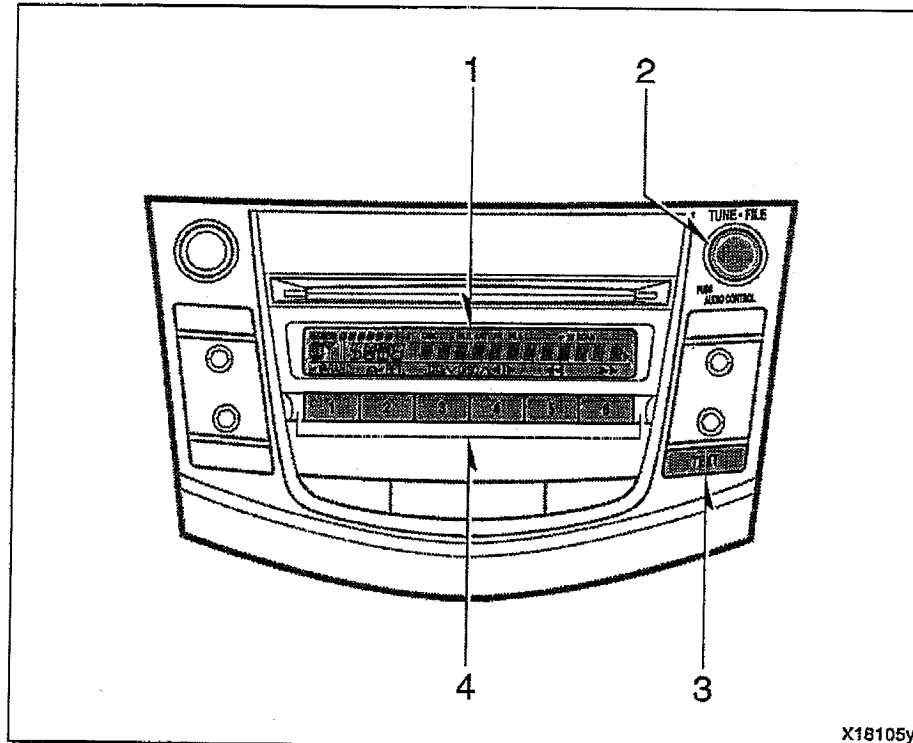
The microphone is used when talking on the phone or using the speech command system.



240



►Audio unit



**1. Display**

Displays such items as the reception level, a party's name and phone number. See "DISPLAY" described on the following page for further details about the display.

**2. "AUDIO CONTROL" knob**

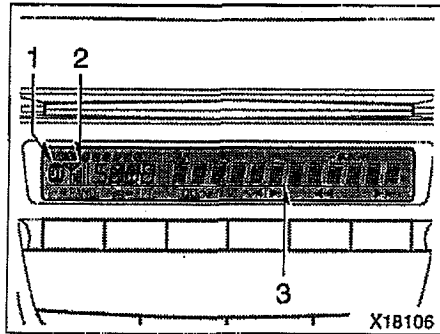
Turning the "AUDIO CONTROL" knob displays the menu items, names, numbers, etc. to be selected. To select an item, push the "AUDIO CONTROL" knob. Due to safety concerns, the "AUDIO CONTROL" knob does not function while the vehicle is in motion.

**3. "TEXT" button**

When the party's name or phone number is too long to be displayed, pushing and holding the "TEXT" button displays the remaining characters.

**4. Preset buttons**

Pushing the preset button displays the registered speed dial numbers.



## DISPLAY

### 1. Bluetooth® display

Displays when a Bluetooth® connection is made. If there is no display, the Bluetooth® connection has not been made and communication between the phone and system is not possible. When using the hands-free system, make sure that [BT] is displayed. The display is updated in real time.

### 2. Reception level display

Displays the reception level of the Bluetooth® signals. This may not match the display on the cellular phone. The reception level of some cellular phones may not be displayed.

The number of bars is greater when the signal received is stronger.

### 3. Message display

Displays phone numbers, names, comments, menu items, etc.

## —Phone Setup

The phone setup menu includes the following:

- Pair Phone

To use the hands-free system, you need to register your phone in the system. Once you have registered it, you can make a hands-free call. Up to 6 phones can be registered.

- Select Phone

When the system connects to Bluetooth®, the phone previously used is automatically selected. Select a different phone if necessary. Only the selected phone can be used with the hands-free system.

- Change Name

The registered phone names can be changed.

- List Phones

The registered phone names can be checked.

The following can be performed during the name playback:

- Select phone

- Change name

- Delete

- **Set PassKey**

The passkey can be changed. A 4 to 8 digit code can be input as a passkey.

- **Delete**

The registered phones can be deleted.

**To enter the phone setup menu**

1. Push the off-hook switch to turn the hands-free system on.
2. Follow voice guidance instructions, or turn the "AUDIO CONTROL" knob until [Setup] is displayed and push the knob.

[Setup. Please push the talk switch and say security, or phone setup.] is heard.

3. Follow voice guidance instructions, or turn the "AUDIO CONTROL" knob until [Phone Setup] is displayed and push the knob.

[Phone setup. Push the talk switch and say pair phone, select phone, change name, list phones, set passkey or delete.] is heard.

[XXX (phone name) already selected.] is heard and the phone name is displayed.

If no phone has been registered, the system may not function properly.

**To pair phones**

1. Push the talk switch and say [Pair phone], or turn the "AUDIO CONTROL" knob until [Pair Phone] is displayed and push the knob.

[Pair. Push the talk switch and say a name for the phone.] is heard.

2. Follow voice guidance instructions, or turn the "AUDIO CONTROL" knob until [Record Name] is displayed, push the knob and say the desired phone name.

[Push the talk switch and say confirm. Otherwise, say go back.] is heard.

3. Follow voice guidance instructions, or turn the "AUDIO CONTROL" knob until [Confirm] is displayed and push the knob.

[XXX (desired phone name) Ready for phone pairing. Please use the phone to connect it to the hands-free system. The passkey for the phone is....] is heard.

After "HANDS FREE" is displayed, a passkey\* is displayed and [Searching.] is heard.

4. Input the displayed passkey into the phone.

[The phone is paired and ready for use. Returning to the main menu.] is heard and [Paired] is displayed.

The system may not function in the following cases:

- If 6 phones have already been registered.
- If the vehicle is moving.
- If the system cannot communicate with the phone.

\*: Passkey is a password required to register a phone to the system.

**INFORMATION**

- **To use the hands-free system, you need to register your phone in the system. Once you have registered it, you can make a hands-free call. Up to 6 phones can be registered.**
- **For the operation of the phone, see the manual that comes with your cellular phone.**
- **The passkey can be changed. See page 246 for changing the passkey.**

**To select a phone**

1. Push the talk switch and say [Select phone], or turn the "AUDIO CONTROL" knob until [Select Phone] is displayed and push the knob.

[Select phone. Push the talk switch and say the phone name or say list phones.] is heard.

2. Follow voice guidance instructions, or turn the "AUDIO CONTROL" knob until the desired phone name is displayed and push the knob.

**When the phone is selected by a voice command:**

[XXX (phone name) Push the talk switch and say confirm. Otherwise, say go back.] is heard and the phone name is displayed.

Follow voice guidance instructions, or turn the "AUDIO CONTROL" knob until [Confirm] is displayed and push the knob.

[XXX selected. Returning to the phone setup.] is heard.

**When the phone is selected by using the knob:**

[XXX selected. Returning to the phone setup.] is heard.

The system may not function in the following cases:

- If the phone is not found.
- If the system does not recognize the voice command.

**To change a name**

1. Push the talk switch and say [Change name], or turn the "AUDIO CONTROL" knob until [Change Name] is displayed and push the knob.

[Change name. Push the talk switch and say the phone name to change.] is heard.

2. Follow voice guidance instructions, or turn the "AUDIO CONTROL" knob until the phone name that you want to change is displayed and push the knob.

**When the phone is selected by a voice command:**

[XXX (phone name) Push the talk switch and say confirm. Otherwise, say go back.] is heard and the phone name is displayed.

1. Follow voice guidance instructions, or turn the "AUDIO CONTROL" knob until [Confirm] is displayed and push the knob.

[Push the talk switch and say a new name.] is heard.

2. Follow voice guidance instructions, or turn the "AUDIO CONTROL" knob until [Record Name] is displayed, push the knob and say the desired phone name.

[XXX Push the talk switch and say confirm. Otherwise, say go back.] is heard.

3. Follow voice guidance instructions, or turn the "AUDIO CONTROL" knob until [Confirm] is displayed and push the knob.

[Name changed. Returning to the phone setup.] is heard and [Changed] is displayed.

**When the phone is selected by using the knob:**

[XXX Push the talk switch and say confirm. Otherwise, say go back.] is heard and the phone name is displayed.

1. Follow voice guidance instructions, or turn the "AUDIO CONTROL" knob until [Confirm] is displayed and push the knob.

[Push the talk switch and say a new name.] is heard.

2. Follow voice guidance instructions, or turn the "AUDIO CONTROL" knob until [Record Name] is displayed, push the knob and say the desired phone name.

[XXX Push the talk switch and say confirm. Otherwise, say go back.] is heard.

3. Follow voice guidance instructions, or turn the "AUDIO CONTROL" knob until [Confirm] is displayed and push the knob.

[Name changed. Returning to the phone setup.] is heard and [Changed] is displayed.

The system may not function in the following cases:

- If no phone has been registered.
- If the system does not recognize the voice command.

**To list phones**

1. Push the talk switch and say [List phones], or turn the "AUDIO CONTROL" knob until [List Phones] is displayed and push the knob.

[List phones. To select a name, push the talk switch during the name playback.] is heard.

2. Follow voice guidance instructions.

[Push the talk switch and say select phone, change name, or delete.] is heard.

Select one of the following:

#### Select phone

Push the talk switch and say [Select phone], or turn the "AUDIO CONTROL" knob until [Select Phone] is displayed and push the knob.

For further details on selecting a phone, see page 244.

#### Change name

Push the talk switch and say [Change name], or turn the "AUDIO CONTROL" knob until [Change Name] is displayed and push the knob.

For further details on changing a name, see page 244.

#### Delete

Push the talk switch and say [Delete], or turn the "AUDIO CONTROL" knob until [Delete] is displayed and push the knob.

For further details on deleting a phone, see page 247.

If no phone has been registered, the system may not function properly.

#### To set a passkey

1. Push the talk switch and say [Set passkey], or turn the "AUDIO CONTROL" knob until [Set Passkey] is displayed and push the knob.

[Set Passkey. The passkey is required for the phone pairing process. Push the talk switch and say a new passkey.] is heard and passkey is displayed.

2. Follow voice guidance instructions, or turn the "AUDIO CONTROL" knob to select a number.

#### When using a voice command:

[XXXX (new passkey) Push the talk switch and say confirm. Otherwise, continue adding numbers, or say go back or delete.] is heard and the new passkey is displayed.

Follow voice guidance instructions, or turn the "AUDIO CONTROL" knob until [Confirm] is displayed and push the knob.

[Passkey changed. Returning to the phone setup.] is heard.

#### When using the knob:

1. Turn the "AUDIO CONTROL" knob to select a number. Push the "AUDIO CONTROL" knob to set.

2. When the passkey is set, push the "AUDIO CONTROL" knob.

[Passkey changed. Returning to the phone setup.] is heard.

The system does not function in the following cases:

- If the passkey has less than 4 digits.
- If the passkey has more than 8 digits.



#### To delete a phone

1. Push the talk switch and say [Delete], or turn the "AUDIO CONTROL" knob until [Delete] is displayed and push the knob.

[Delete. Push the talk switch and say the phone name to delete.] is heard.

2. Follow voice guidance instructions, or turn the "AUDIO CONTROL" knob until the phone name you want to delete is displayed and push the knob.

#### When using a voice command:

[XXX (desired phone name) Push the talk switch and say confirm. Otherwise, say go back.] is heard and the phone name is displayed.

Follow voice guidance instructions, or turn the "AUDIO CONTROL" knob until [Confirm] is displayed and push the knob.

[Deleted. Returning to the phone setup.] is heard and [Deleted] is displayed.

#### When using the knob:

[Deleted. Returning to the phone setup.] is heard and [Deleted] is displayed.

The system may not function in the following cases:

- If no phone has been registered.
- If the system does not recognize the voice command.

#### —Security

The security menu includes the following:

- Set PIN (Personal Identification Number)

The PIN can be set or changed.

- Phone book lock

The phone book can be locked.

When the phone book is locked, the following functions cannot be used:

- Dial by name
- Redial
- Callback
- Speed Dial
- PhoneBook
- Phone book unlock

The locked phone book can be unlocked.

**To enter the security menu**

1. Push the off-hook switch to turn the hands-free system on.
2. Follow voice guidance instructions, or turn the "AUDIO CONTROL" knob until [Setup] is displayed and push the knob.  
[Setup. Please push the talk switch and say security, or phone setup.] is heard.
3. Follow voice guidance instructions, or turn the "AUDIO CONTROL" knob until [Security] is displayed and push the knob.

[Security. Push the talk switch and say set PIN, phone book lock, or phone book unlock.] is heard.

**To set a PIN**

Push the talk switch and say [Set PIN], or turn the "AUDIO CONTROL" knob until [Set PIN] is displayed and push the knob.  
[There is no PIN number set. Please register a PIN number. Please push the talk switch and say a four-digit PIN number.] is heard.

**When using a voice command:**

1. Push the talk switch and say a new PIN number.
2. Follow voice guidance instructions, or turn the "AUDIO CONTROL" knob until [Confirm] is displayed and push the knob.

[The PIN number has been set. Returning to the security.] is heard and [Completed] is displayed.

**When using the knob:**

1. Turn the "AUDIO CONTROL" knob to select a number. Push the "AUDIO CONTROL" knob to set.
2. Repeat the above procedure until the entire four-digit number is set.
3. When the PIN is set, push the "AUDIO CONTROL" knob.
4. Follow voice guidance instructions, or turn the "AUDIO CONTROL" knob until [Confirm] is displayed and push the knob.

[The PIN number has been set. Returning to the security.] is heard and [Completed] is displayed.

**If the PIN is to be changed:**

[There is a PIN number in place. Push the talk switch and say the correct PIN number.] is heard and [Current PIN?] is displayed.

1. Follow voice guidance instructions, or use the "AUDIO CONTROL" knob to input the current PIN number.

[Please push the talk switch and say a four-digit PIN number.] is heard.

2. Push the talk switch and say new PIN number.

[The PIN number has been set. Returning to the security.] is heard and [Completed] is displayed.

If the current number is not correct, the system does not function properly.

**To lock the phone book**

1. Push the talk switch and say [Phone book lock], or turn the "AUDIO CONTROL" knob until [Phbk Lock] is displayed and push the knob.

[There is a PIN number in place. Push the talk switch and say the correct PIN number.] is heard and [Current PIN?] is displayed.

2. Follow voice guidance instructions, or turn the "AUDIO CONTROL" knob to select a number.

**When using a voice command:**

[XXXX (PIN number) Push the talk switch and say confirm. Otherwise, say go back.] is heard and PIN number is displayed.

Follow voice guidance instructions, or turn the "AUDIO CONTROL" knob until [Confirm] is displayed and push the knob.

[PIN number accepted. The phone book is now locked. Returning to the main menu.] is heard and [Locked] is displayed.

**When using the knob:**

1. Turn the "AUDIO CONTROL" knob to select a number. Push the "AUDIO CONTROL" knob to set.
2. When the PIN number is set, push the "AUDIO CONTROL" knob.

[XXXX Push the talk switch and say confirm. Otherwise, say go back.] is heard and PIN number is displayed.

3. Follow voice guidance instructions, or turn the "AUDIO CONTROL" knob until [Confirm] is displayed and push the knob.

[PIN number accepted. The phone book is now locked. Returning to the main menu.] is heard and [Locked] is displayed.

The system may not function in the following cases:

- If the current number is not correct.
- If the phone book has already been locked.
- If the PIN number does not exist.

**To unlock the phone book**

1. Push the talk switch and say [Phone book unlock], or turn the "AUDIO CONTROL" knob until [Phbk Unlock] is displayed and push the knob.

[Phonebook unlock. There is a PIN number in place. Push the talk switch and say the correct PIN number.] is heard and [Current PIN?] is displayed.

2. Follow voice guidance instructions, or turn the "AUDIO CONTROL" knob to select a number.

**When using a voice command:**

[XXXX (PIN number) Push the talk switch and say confirm. Otherwise, say go back.] is heard and the PIN number is displayed.

Follow voice guidance instructions, or turn the "AUDIO CONTROL" knob until [Confirm] is displayed and push the knob.

[PIN number accepted. The phone book is now unlocked. Returning to the main menu.] is heard and [Unlocked] is displayed.

**When using the knob:**

1. Turn the "AUDIO CONTROL" knob to select a number. Push the "AUDIO CONTROL" knob to set.
2. When the PIN number is set, push the "AUDIO CONTROL" knob.

[XXXX Push the talk switch and say confirm. Otherwise, say go back.] is heard and the PIN number is displayed.

3. Follow voice guidance instructions, or turn the "AUDIO CONTROL" knob until [Confirm] is displayed and push the knob.

[PIN number accepted. The phone book is now unlocked. Returning to the main menu.] is heard and [Unlocked] is displayed.

The system may not function in the following cases:

- If the current number is not correct.
- If the phone book has already been unlocked.

**INFORMATION**

*A shortcut to each of the following functions is available. Enter the phone book menu, push the off-hook switch, and say either of the following:*

- *Phone book lock*
- *Phone book unlock*

### —System Setup

The system setup menu includes the following:

- Adjust Guidance Volume
- Initialize

#### To enter the system setup menu

1. Push the off-hook switch to turn the hands-free system on.
2. Follow voice guidance instructions, or turn the "AUDIO CONTROL" knob until [Setup] is displayed and push the knob.
3. Turn the "AUDIO CONTROL" knob until [System Setup] is displayed and push the knob.

[System setup. Please select guidance volume or initialize.] is heard.

#### To adjust the guidance volume

1. Turn the "AUDIO CONTROL" knob until [Guidance Vol] is displayed and push the knob.

[Guidance will be at this volume] is heard and the present volume level is displayed.

2. Turn the "AUDIO CONTROL" knob to adjust the volume and push the knob.

#### To Initialize

1. Turn the "AUDIO CONTROL" knob until [Initialize] is displayed and push the knob.

[System initialization. This will erase all user information in the hands free system; including paired phones, phone book entries, and call history. Select confirm to initialize. Otherwise, select go back.] is heard.

2. Turn the "AUDIO CONTROL" knob until [Confirm] is displayed and push the knob.

[System initialization. This will erase all user information in the hands free system; including paired phones, phone book entries, and call history. Select confirm to initialize. Otherwise, select go back.] is heard.

3. Turn the "AUDIO CONTROL" knob until [Confirm] is displayed and push the knob.

[Initialized. Returning to the main menu.] is heard.

### —Phone Book

The phone book menu includes the following:

- Add Entry

Phone numbers and voice tags can be registered.

- Change Name

The registered names can be changed.

- Delete Entry

The registered names can be deleted.

- Delete Speed Dial

The registered speed dial can be deleted.

- List Names

The registered names can be checked.

- Set Speed Dial

Speed dials can be set.

Up to 20 numbers can be registered in the phone book.

**To enter the phone book menu**

1. Push the off-hook switch to turn the hands-free system on.
2. Follow voice guidance instructions, or turn the "AUDIO CONTROL" knob until [Phonebook] is displayed and push the knob.

[Phone book. Please push the talk switch and say add entry, change name, delete entry, list names, set speed dial or delete speed dial.] is heard.

If the phone book is locked, the system may not function properly.

**To add entry**

The add entry includes the following:

- (a) By Voice
- (b) By Phone
- (c) Call History
- (d) Manual Input

Push the talk switch and say [Add entry], or turn the "AUDIO CONTROL" knob until [Add Entry] is displayed and push the knob.

[Add Entry. How will the number be entered. Push the talk switch and say by voice, by phone, or call history.] is heard.

**(a) By voice**

1. Push the talk switch and say [By voice], or turn the "AUDIO CONTROL" knob until [By Voice] is displayed and push the knob.

[Voice entry. Push the talk switch and say the number.] is heard.

2. Push the talk switch and say the dial number that you want to register.

[To store, push the talk switch and say confirm. Otherwise, continue adding numbers, or say go back, or delete.] is heard and number is displayed.

3. Follow voice guidance instructions.

If [Confirm] is said, then input a voice tag.

[Push the talk switch and say a name.] is heard.

1. Push the talk switch and say the name of the dial number that you want to register.

[XXXX (phone number) Push the talk switch and say confirm. Otherwise, say go back.] is heard.

2. Follow voice guidance instructions, or turn the "AUDIO CONTROL" knob until [Confirm] is displayed and push the knob.

[Stored. To register this as a speed dial entry, push the talk switch and say set speed dial. Otherwise, say confirm.] is heard and [Stored] is displayed.

3. Select one of the following:

- **Confirm**
- **Speed Dial**

#### Confirm

Push the talk switch and say [Confirm], or turn the "AUDIO CONTROL" knob until [Confirm] is displayed and push the knob.

[Returning to the phone book.] is heard.

#### Speed Dial

1. Push the talk switch and say [Set speed dial], or turn the "AUDIO CONTROL" knob until [Speed Dial] is displayed and push the knob.

[Set speed dial. Push the preset button to assign to XXXX] is heard.

2. Push and hold the desired preset button.

[preset... is now assigned. Returning to the phone book.] is heard.

The system may not function in the following cases:

- If the phone book is full.
- If the dial number has more than 24 digits.

#### (b) By Phone

1. Push the talk switch and say [By phone], or turn the "AUDIO CONTROL" knob until [By Phone] is displayed and push the knob.

[Phone entry. Prepare to send the information from the phone. When ready, push the talk switch and say confirm.] is heard.

2. Follow voice guidance instructions, or turn the "AUDIO CONTROL" knob until [Confirm] is displayed and push the knob.

[Send the information at this time.] is heard.

After the system has received the name and phone number, [Push the talk switch and say confirm. To select an alternate number, say next or previous. Otherwise, say go back.] is heard and the name and phone number are displayed.

3. Follow voice guidance instructions, push the talk switch and say [Confirm], or turn the "AUDIO CONTROL" knob until the dial number that you want to register is displayed and push the knob.

Next, input a voice tag.

For further details, see page 252.

### (c) Call History

1. Push the talk switch and say [Call history], or turn the "AUDIO CONTROL" knob until [Call History] is displayed and push the knob.

[Call history. Push the talk switch and say incoming or outgoing.] is heard and [Call History] is displayed.

2. Select one of the following:

- Incoming
- Outgoing

#### Incoming

1. Push the talk switch and say [Incoming], or turn the "AUDIO CONTROL" knob until [Incoming] is displayed and push the knob.

[Most recent incoming call was XXXX (phone number)] is heard and the incoming number is displayed.

[Push the talk switch and say confirm. Otherwise, say previous, or go back.] is heard.

2. Follow voice guidance instructions, or turn the "AUDIO CONTROL" knob until the dial number that you want to register is displayed and push the knob.

Next, input a voice tag.

For further details, see page 252.

254

### Outgoing

1. Push the talk switch and say [Outgoing], or turn the "AUDIO CONTROL" knob until [Outgoing] is displayed and push the knob.

[Most recent outgoing call was XXXX] is heard and the outgoing number is displayed.

[Push the talk switch and say confirm. Otherwise, say previous, or go back.] is heard.

2. Follow voice guidance instructions, or turn the "AUDIO CONTROL" knob until the dial number that you want to register is displayed and push the knob.

Next, input a voice tag.

For further details, see page 252.

### (d) Manual Input

1. Turn the "AUDIO CONTROL" knob until [Manual Input] is displayed and push the knob.
2. Turn the "AUDIO CONTROL" knob to select a number. Push the "AUDIO CONTROL" knob to set.
3. When the number is set, push the "AUDIO CONTROL" knob.

Next, input a voice tag.

For further details, see page 252.

#### INFORMATION

- *The system can recognize single digits from zero to nine, #(pound), \*(star), and +(plus). Numbers that are ten or greater are not recognized.*
- *To speed up input, it is a good idea to group all digits into a continuous string. However, you can enter each digit individually or group digits together in preferred string lengths.*

*The display corresponding to each operation appears on the screen as follows:*



**Input operation—**

**You say:** [Nine, nine, five]

**Voice output:** [995 to store push the talk switch and say confirm. Otherwise, continue adding numbers, or say go back, or delete.]

**Display:** [995]

**You say:** [Seven, three, four]

**Voice output:** [734 to store push the talk switch and say confirm. Otherwise, continue adding numbers, or say go back, or delete.]

**Display:** [995734]

Repeat the above procedure until the entire number that you want to register is input.

**Go back operation—**

**You say:** [Go back]

**Voice output:** [Go back. The last numbers said have been removed. Push the talk switch and say the number.]

**Display:** [995]

Repeating the above operation deletes the last digits in reverse order of input.

**Delete operation—**

**You say:** [Delete]

**Voice output:** [Deleted. Push the talk switch and say the number.]

**Display:** [Delete]

The display will return to the initial screen that allows a number to be input.

**To list names**

The voice tags can be edited during the name playback.

1. Push the talk switch and say [List names], or turn the "AUDIO CONTROL" knob until [List Names] is displayed and push the knob.

[List names. To select a name, push the talk switch during the name playback.] is heard.

2. Follow voice guidance instructions.

[XXXX selected.] is heard and [Selected] is displayed.

If you push the off-hook switch during the name playback, you can dial the number of the selected name.

### Editing the voice tags

The following can be performed:

- Dial
- Change Name
- Delete Entry
- Speed Dial

[Push the talk switch and say dial, change name, delete entry, or set speed dial.] is heard and [Selected] is displayed.

#### Dial

Push the talk switch and say [Dial], or turn the "AUDIO CONTROL" knob until [Dial] is displayed and push the knob.

#### Change Name

Push the talk switch and say [Change name], or turn the "AUDIO CONTROL" knob until [Change Name] is displayed and push the knob.

For further details, see page 257.

### Delete Entry

Push the talk switch and say [Delete entry], or turn the "AUDIO CONTROL" knob until [Delete Entry] is displayed and push the knob.

For further details, see page 256.

#### Speed dial

Push the talk switch and say [Set speed dial], or turn the "AUDIO CONTROL" knob until [Speed Dial] is displayed and push the knob.

For further details, see page 258.

### To delete entry

1. Push the talk switch and say [Delete entry], or turn the "AUDIO CONTROL" knob until [Delete Entry] is displayed and push the knob.

[Delete entry. Push the talk switch and say the name to delete.] is heard.

2. Follow voice guidance instructions, or turn the "AUDIO CONTROL" knob until the name that you want to delete is displayed and push the knob.

#### When using a voice command:

[XXXX (name) Push the talk switch and say confirm. Otherwise, say go back.] is heard and the name is displayed.

Follow voice guidance instructions, or turn the "AUDIO CONTROL" knob until [Confirm] is displayed and push the knob.

[Deleted. Returning to the phone book.] is heard and [Deleted] is displayed.

#### When using the knob:

[Deleted. Returning to the phone book.] is heard and [Deleted] is displayed.

The system may not function in the following cases:

- If no name has been registered.
- If the system does not recognize the voice command.

#### To delete speed dial

1. Push the talk switch and say [Delete speed dial], or turn the "AUDIO CONTROL" knob until [Del Spd Dial] is displayed and push the knob.

[Delete speed dial. Push the preset button to delete from speed dial.] is heard.

2. Select the preset button that you want to delete.

[To delete preset... push the talk switch and say confirm. Otherwise, say go back.] is heard.

3. Follow voice guidance instructions, or turn the "AUDIO CONTROL" knob until [Confirm] is displayed and push the knob.

[Deleted.] is heard and [Deleted] is displayed.

[Returning to the phone book.] is heard.

The system may not function in the following cases:

- If no speed dial has been registered.
- If the preset button has not been assigned.

#### To change name

1. Push the talk switch and say [Change name], or turn the "AUDIO CONTROL" knob until [Change Name] is displayed and push the knob.

[Change name. Push the talk switch and say the name to change.] is heard.

2. Follow voice guidance instructions, or turn the "AUDIO CONTROL" knob until the dial number that you want to change is displayed and push the knob.

#### When using a voice command:

[XXXX (phone number) Push the talk switch and say confirm. Otherwise, say go back.] is heard and the phone number is displayed.

1. Follow voice guidance instructions, or turn the "AUDIO CONTROL" knob until [Confirm] is displayed and push the knob.

[Push the talk switch and say a new name.] is heard.

2. Follow voice guidance instructions, or turn the "AUDIO CONTROL" knob until [Record Name] is displayed, push the knob and say new name.

[XXXX Push the talk switch and say confirm. Otherwise, say go back.] is heard.

3. Follow voice guidance instructions, or turn the "AUDIO CONTROL" knob until [Confirm] is displayed and push the knob.

[Name changed. Returning to the phone book.] is heard and [Changed] is displayed.

**When using the knob:**

[Push the talk switch and say a new name.] is heard.

1. Follow voice guidance instructions, or turn the "AUDIO CONTROL" knob until [Record Name] is displayed, push the knob and say new name.

[XXXX Push the talk switch and say confirm. Otherwise, say go back.] is heard.

2. Follow voice guidance instructions, or turn the "AUDIO CONTROL" knob until [Confirm] is displayed and push the knob.

[Name changed. Returning to the phone book.] is heard and [Changed] is displayed.

The system may not function in the following cases:

- If no name has been registered.
- If the system does not recognize the voice command.

**To set speed dial**

1. Push the talk switch and say [Set Speed dial], or turn the "AUDIO CONTROL" knob until [Speed Dial] is displayed and push the knob.

[Set speed dial. Push the talk switch and say a name.] is heard.

2. Follow voice guidance instructions, or turn the "AUDIO CONTROL" knob until the dial number that you want to register is displayed and push the knob.

**When using a voice command:**

[XXXX (phone number) To register this as a speed dial entry, push the talk switch and say confirm. Otherwise, say go back.] is heard and the phone number is displayed.

1. Follow voice guidance instructions, or turn the "AUDIO CONTROL" knob until [Confirm] is displayed and push the knob.

[Push the preset button to assign to XXXX] is heard.

2. Push and hold the desired preset button.

[preset... is now assigned. Returning to the phone book.] is heard.

**When using the knob:**

[Push the preset button to assign to XXXX] is heard.

Push and hold the desired preset button.

[preset... is now assigned. Returning to the phone book.] is heard.

The system may not function in the following cases:

- If no name has been registered.
- If the system does not recognize the voice command.

**INFORMATION**

*A shortcut to each of the following functions is available. Push the off-hook switch and talk switch, and say one of the following:*

- *Phone book add entry*
- *Phone book change name*
- *Phone book delete entry*
- *Phone book delete speed dial*
- *Phone book list names*
- *Phone book set speed dial*

**—Redial**

The following can be performed:

- Dial
- Delete
- Store

**To enter the redial**

1. Push the off-hook switch to turn the hands-free system on.
2. Follow voice guidance instructions, or turn the "AUDIO CONTROL" knob until [Redial] is displayed and push the knob.

[Redial. Most recent outgoing call was XXXX (phone number)] is heard and outgoing history is displayed.

[Please push the off-hook switch to dial. Otherwise, push the talk switch and say dial, previous, go back, store, or delete.] is heard.

**Dial**

Turn the "AUDIO CONTROL" knob until the number that you want to dial is displayed and push the knob. After that, do the one of the following:

- Push the off-hook switch.
- Push the talk switch and say [dial].
- Turn the "AUDIO CONTROL" knob until [Dial] is displayed and push the knob.

**Delete**

1. Turn the "AUDIO CONTROL" knob until the dial number that you want to delete is displayed and push the knob.
2. Push the talk switch and say [Delete], or turn the "AUDIO CONTROL" knob until [Delete] is displayed and push the knob.

[Delete. Push the talk switch and say confirm. Otherwise, say go back] is heard.

3. Follow voice guidance instructions, or turn the "AUDIO CONTROL" knob until [Confirm] is displayed and push the knob.

[Deleted.] is heard.

### Store

1. Turn the "AUDIO CONTROL" knob until the dial number that you want to register is displayed and push the knob.
2. Push the talk switch and say [Store], or turn the "AUDIO CONTROL" knob until [Store] is displayed and push the knob.

[Store. Push the talk switch and say confirm. Otherwise, say go back.] is heard.

3. Follow voice guidance instructions, or turn the "AUDIO CONTROL" knob until [Confirm] is displayed and push the knob.

Next, input a voice tag.

For further details, see page 252.

The system may not function in the following cases:

- If there is no outgoing history.
- If the phone book is locked.

### INFORMATION

- *Up to five outgoing calls can be stored in the system.*
- *When five outgoing calls are stored in memory, the oldest outgoing call is deleted to make room in memory for new calls.*
- *Only the latest outgoing call is stored when the same telephone number is dialed.*
- *A shortcut to "Redial" is available. Push the off-hook switch and then push the off-hook switch.*

### —Callback

The following can be performed:

- Dial
- Delete
- Store

#### To enter the callback

1. Push the off-hook switch to turn the hands-free system on.
2. Follow voice guidance instructions, or turn the "AUDIO CONTROL" knob until [Callback] is displayed and push the knob.

[Callback. Most recent incoming call was XXXX (phone number)] is heard and incoming history is displayed.

[Please push the off-hook switch to dial. Otherwise, push the talk switch and say dial, previous, go back, store, or delete.] is heard.

### Dial

Turn the "AUDIO CONTROL" knob until the number that you want to dial is displayed and push the knob. After that, do the one of the following:

- Push the off-hook switch.
- Push the talk switch and say [Dial].
- Turn the "AUDIO CONTROL" knob until [Dial] is displayed and push the knob.

### Delete

1. Turn the "AUDIO CONTROL" knob until the dial number that you want to delete is displayed and push the knob.
2. Push the talk switch and say [Delete], or turn the "AUDIO CONTROL" knob until [Delete] is displayed and push the knob.

[Delete. Push the talk switch and say confirm. Otherwise, say go back.] is heard.

3. Follow voice guidance instructions, or turn the "AUDIO CONTROL" knob until [Confirm] is displayed and push the knob.

[Deleted.] is heard.

### Store

1. Turn the "AUDIO CONTROL" knob until the dial number that you want to register is displayed and push the knob.
2. Push the talk switch and say [Store], or turn the "AUDIO CONTROL" knob until [Store] is displayed and push the knob.

[Store. Push the talk switch and say confirm. Otherwise, say go back.] is heard.

3. Follow voice guidance instructions, or turn the "AUDIO CONTROL" knob until [Confirm] is displayed and push the knob.

Next, input a voice tag.

For further details, see page 252.

The system may not function in the following cases:

- If there is no incoming history.
- If the phone book is locked.

### INFORMATION

- *Up to five incoming calls can be stored in the system.*
- *When five incoming calls are stored in memory, the oldest incoming call is deleted to make room in memory for new calls.*

### —Making a phone call

If the cellular phone is not registered, this system cannot be used. See page 242 for registering a cellular phone. Make sure that [BT] is displayed and get the cellular phone ready to use.

There are 3 ways to make a phone call with this system.

- **Speed dial**

A phone call can be made with a preset button in which a phone number is registered. See page 258 for setting the preset buttons.

- **Dial by Name**

The system dials the numbers corresponding to the spoken names registered in the system.

- **Dial by Number**

The system dials to the spoken numbers.

#### **To make a phone call**

Push the off-hook switch to turn the hands-free system on.

#### **To speed dial**

1. Push the preset button where the desired number is set. The name or telephone number is displayed.
2. Push the off-hook switch to dial.

#### **To dial by Name**

1. Push the talk switch and say [Dial by name].

[Dial by name. Please push the talk switch and say the stored name, or say [1st names.] is heard and [Dial by Name] is displayed.

2. Push the talk switch and say the phone name, or turn the "AUDIO CONTROL" knob until the name that you want to dial is displayed and push the knob.

#### **When using a voice command:**

[XXXX (phone number) Push the off-hook switch to dial. Otherwise, push the talk switch and say dial, or go back.] is heard. After that, do the one of the following:

- Push the off-hook switch.
- Push the talk switch and say [Dial].
- Turn the "AUDIO CONTROL" knob until [Dial] is displayed and push the knob.

#### **When using the knob:**

It calls the number.

The system may not function in the following cases:

- If there is no number registered in the preset button.
- If the system does not recognize the voice command.



**INFORMATION**

- *The phone numbers registered in the phone book can be retrieved.*
- *The system does not recognize that the voice tag is not registered in the registered cellular phone. For details about voice tags, see "To add entry" on page 252.*
- *A shortcut to [Dial by name] is available. Push the talk switch and say [Dial XXX (name you want to dial)].*

**To dial by Number**

1. Push the talk switch and say [Dial by Number].

[Dial by number. Please push the talk switch and say the number.] is heard and [Dial by Num] is displayed.

2. Push talk switch and say the dial number.

[Push the off-hook switch to dial. Otherwise, push the talk switch and say dial, go back, or delete.] is heard.

To dial the number, do the one of the following:

- Push the off-hook switch.
- Push the talk switch and say [Dial].
- Turn the "AUDIO CONTROL" knob until [Dial] is displayed and push the knob.

If the number exceeds 24 digits, the system may not function properly.

**INFORMATION**

- *The system can recognize single digits from zero to nine, #(pound), \*(star), and +(plus). Numbers that are ten or greater are not recognized.*
- *To speed up input, it is a good idea to group all digits into a continuous string. However, you can enter each digit individually or group digits together in preferred string lengths.*

*The display corresponding to each operation appears on the screen as follows:*

*Input operation—*

*You say: [Nine, nine, five]*

*Voice output: [995 push the off-hook switch to dial. Otherwise, push the talk switch and say dial, go back, or delete.]*

*Display: [995]*

*You say: [Seven, three, four]*

*Voice output: [734 push the off-hook switch to dial. Otherwise, push the talk switch and say dial, go back, or delete.]*

**Display:** [995734]

Repeat the above procedure until the entire number that you want to dial is input.

**Go back operation—**

**You say:** [Go back]

**Voice output:** [Go back, the last numbers entered have been removed. Push the talk switch and continue adding numbers otherwise say dial, go back, or delete.]

**Display:** [995]

Repeating the above operation deletes the last digits in reverse order of input.

**Delete operation—**

**You say:** [Delete]

**Voice output:** [Deleted. The entire number to dial has been deleted. Please push the talk switch and say the number.]

**Display:** [Dial by Num]

The display will return to the initial screen that allows a number to be input.

**Cancel operation—**

Do either one of the following:

- Push the on-hook switch at anytime during the operation.
- Push the talk switch and say [Cancel] after the beep at anytime during the operation except while a call is connected.

### —Receiving a phone call

When receiving a phone call, a ring tone is audible and the system changes into the telephone mode.

When receiving a phone call, the display is as follows. The display differs depending on whether or not the vehicle is in motion.

**When the vehicle is stopped:**

Number, name, or [Incoming] is displayed.

**When the vehicle is in motion:**

[Incoming] is displayed.

Do either one of the following:

- Pushing the off-hook switch allows you to talk on the phone.
- Pushing the on-hook switch refuses the call.

To adjust the ring volume, push "+" or "-" on the steering volume controls. Volume adjustment cannot be done using the audio system.

Repeatedly pushing "-" on the steering volume controls mutes the ring.

When receiving an international phone call, the name of the party may not be displayed correctly depending on the cellular phone.

**To transfer a call to the phone:**

The received call can be transferred from the hands-free system to the cellular phone that is connected to Bluetooth®. For details, refer to the user's guide for the cellular phone.

**—Talking on the phone**

While talking on the phone, the display is as follows. The display differs depending on whether or not the vehicle is in motion.

**When the vehicle is stopped:**

Number is displayed.

**When the vehicle is in motion:**

[Talking] is displayed.

When the call is finished, push the on-hook switch.

In the following situations, your voice may not reach the party.

- Talk alternately with the other party on the phone. If you talk at the same time, the voice may not reach each other. (It is not a malfunction.)
- Keep the volume of receiving voice down. Otherwise, echo is coming up. When you talk on the phone, speak clearly towards the microphone.
- When driving on a rough road.
- When driving at high speeds.
- When the window is open.
- When the air conditioning vents face the microphone.
- When the sound of the air conditioning fan is loud.

The microphone can be muted by pushing the talk switch and say [Mute].

**To transfer a call from the phone:**

Pushing the off-hook switch while talking on the cellular phone that is connected to Bluetooth® allows you to talk hands-free.

A call can also be transferred by pushing the talk switch and say [Call transfer].

**To transfer a call to the phone:**

The call can be transferred from the hands-free system to the phone that is connected to Bluetooth®. For details, refer to the user's guide for the cellular phone.