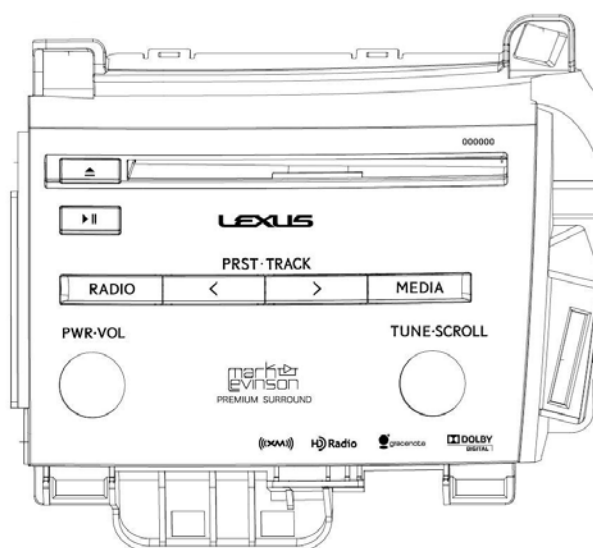


User manual



Model name	Car Navigation System with Bluetooth
Model No	Russia :FT0033A The Other countries:FT0033C

Index

	Page
1-Function list	3P-6P
2-Button function	7P
3-Reference	8P-9P

revision history

revision number	Date	author	Content of change
00	2011/12/24		NEW

1-Function list

(3/9)

Function	North America	Canada	Korea	The Near and Middle East	South Africa	Southeast Asia	Russia
Steering wheel	LHD	LHD	LHD	LHD	RHD	LHD RHD	LHD
Navigation	HDD	HDD	external	HDD	HDD	HDD	HDD
Radio	AM/FM/ XM	AM/FM/ XM	AM/FM	AM/FM	AM/FM	AM/FM	AM/FM
Phase diver	○	○	—	—	—	—	○
Switching diver	—	—	○	○	○	○	—
Digital TV	—	—	—	—	—	—	—
Deck	DVD- PLAYER	DVD- PLAYER	DVD- PLAYER	DVD- PLAYER	DVD- PLAYER	DVD- PLAYER	DVD- PLAYE R
CD ripping	—	—	—	—	—	—	—
USB audio	○	○	○	○	○	○	○
Bluetooth audio	○	○	○	○	○	○	○
AUX	○	○	○	○	○	○	○
VTR	○	○	○	○	○	○	○
Hands free	○	○	○	○	○	○	○
Rear seat video output (DVD/VTR)	○	○	○	○	○	○	○
A/C operation screen	—	—	—	—	—	—	—
Language switching	○	○	○	○	○	○	○
Vocal recognition	○	○	—	○	—	—	○

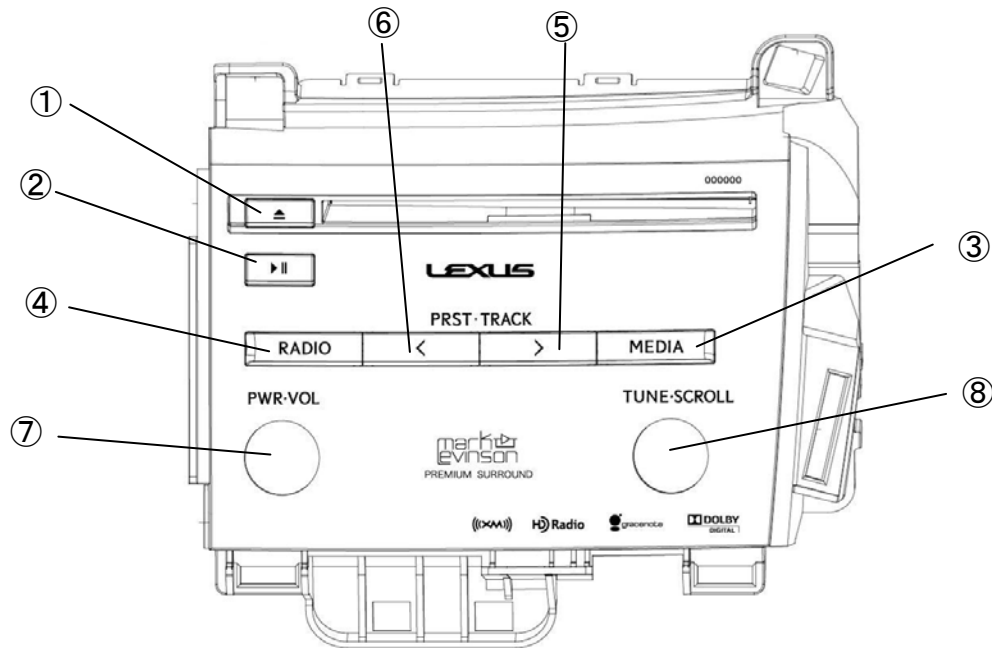
Function	North America	Canada	Korea	The Near and Middle East	South Africa	Southeast Asia	Russia
Perimeter monitoring	Built in back monitor system	Built in back monitor system	Built in back guide monitor system	Built in back guide monitor system	Built in back guide monitor system	Built in back guide monitor system	Built in back guide monitor system
Clearance sonar system	○	○	○	○	○	○	○
e-NAVI	○	○	—	—	—	—	—
Remote service	○	○	—	—	—	—	—
Hazard switch	—	—	—	—	—	—	—
Passenger indicator	—	—	—	—	—	—	—
Security indicator	—	—	—	—	—	—	—





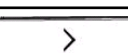
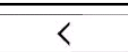


Function	North America	Canada	Korea	The Near and Middle East	South Africa	Southeast Asia	Russia
Rated voltage	DC 13.2V	DC 13.2V	DC 13.2V	DC 13.2V	DC 13.2V	DC 13.2V	DC 13.2V
Operating voltage	DC 10.5V ~16V	DC 10.5V ~16V	DC 10.5V ~16V	DC 10.5V ~16V	DC 10.5V ~16V	DC 10.5V ~16V	DC 10.5V~16V
Dark current	MAX:3.8mA OR LESS(12V)	MAX:3.8mA OR LESS(12V)	MAX:3.8mA OR LESS(12V)	MAX:3.8mA OR LESS(12V)	MAX:3.8mA OR LESS(12V)	MAX:3.8mA OR LESS(12V)	MAX:3.8mA OR LESS(12V)
Power consumption	MAX:8.7A OR LESS(10.5V)	MAX:8.7A OR LESS(10.5V)	MAX:8.7A OR LESS(10.5V)	MAX:8.7A OR LESS(10.5V)	MAX:8.7A OR LESS(10.5V)	MAX:8.7A OR LESS(10.5V)	MAX:8.7A OR LESS(10.5V)
AM tuning range	530~1710kHz	530~1710kHz	531~1602kHz	531~1602kHz	531~1602kHz	531~1602kHz	522~1611kHz
FM tuning range	87.75~107.9MHz	87.75~107.9MHz	87.5~108MHz	87.5~108MHz	87.5~108MHz	87~108MHz	87.5~108MHz
XM tuning range	2332.5~2345kHz	2332.5~2345kHz	—	—	—	—	—
HD-AM tuning range	530~1710kHz	530~1710kHz	—	—	—	—	—
HD-FM tuning range	87.75~107.9MHz	87.75~107.9MHz	—	—	—	—	—

Function	North America	Canada	Korea	The Near and Middle East	South Africa	Southeast Asia	Russia
DVD player	12cm 1 DISC	12cm 1 DISC	12cm 1 DISC	12cm 1 DISC	12cm 1 DISC	12cm 1 DISC	12cm 1 DISC
HDD capacity	80GB	80GB	80GB	80GB	80GB	80GB	80GB
Performance guaranteed temperature range	-20~ 65°C	-20~ 65°C	-20~ 65°C	-20~ 65°C	-20~ 65°C	-20~65°C	-20~ 65°C
Communication function guaranteed temperature range	-30~ 65°C	-30~ 65°C	-30~ 65°C	-30~ 65°C	-30~ 65°C	-30~65°C	-30~ 65°C
Mechanical parts movable temperature range	-20~ 65°C	-20~ 65°C	-20~ 65°C	-20~ 65°C	-20~ 65°C	-20~65°C	-20~ 65°C
Storage temperature range	-40~ 85°C	-40~ 85°C	-40~ 85°C	-40~ 85°C	-40~ 85°C	-40~85°C	-40~ 85°C

2-Button function

Representative model: North America



No.	Button Name	Time	Function
①		-	DISC EJECT
②		-	Play/Pause
③		-	Media source (CD,DVD,USB etc) transition (During Radio source)
④		-	Radio source (AM,FM etc) transition (During Media source)
⑤		-	Preset-Channel UP Key Track UP Key
⑥		-	Preset-Channel DOWN Key Track DOWN Key
⑦	 PWR-VOL	-	PWR supply switch (Audio ON/OFF) VOL control
⑧	 TUNE-SCROLL	-	TUNE-SCROLL control

3-Reference

>For vehicles sold in the U.S.A.

FCC ID: BABFT0033C

CAUTION: Radio Frequency Radiation Exposure

This equipment complies with FCC radiation exposure limits set forth for uncontrolled equipment and meets the FCC radio frequency (RF) Exposure Guidelines in Supplement C to OET65. This equipment has very low levels of RF energy that it deemed to comply without maximum permissive exposure evaluation (MPE). But it is desirable that it should be installed and operated with at least 20cm and more between the radiator and person's body (excluding extremities: hands, wrists, feet and ankles).

Co-location: This transmitter must not be co-located or operated in conjunction with any other antenna or transmitter.

This device complies with part 15 of the FCC Rules.

Operation is subject to the following two conditions:

- (1) This device may not cause harmful interference, and
- (2) this device must accept any interference received, including interference that may cause undesired operation.

FCC WARNING

Changes or modifications not expressly approved by the party responsible for compliance could void the user's authority to operate the equipment.

>For vehicles sold in Canada

IC: 2024B-FT0033C

CAUTION: Radio Frequency Radiation Exposure

This equipment complies with IC radiation exposure limits set forth for uncontrolled equipment and meets RSS-102 of the IC radio frequency (RF) Exposure rules. This equipment has very low levels of RF energy that it deemed to comply without maximum permissive exposure evaluation (MPE). But it is desirable that it should be installed and operated with at least 20cm and more between the radiator and person's body (excluding extremities: hands, wrists, feet and ankles).

This Category II radiocommunication device complies with Industry Canada Standard RSS-310.

Ce dispositif de radiocommunication de catégorie II respecte la norme CNR-310 d'Industrie Canada.

This device complies with Industry Canada licence-exempt RSS standard(s).

Operation is subject to the following two conditions: (1) this device may not cause interference, and (2) this device must accept any interference, including interference that may cause undesired operation of the device.

Le présent appareil est conforme aux CNR d'Industrie Canada applicables aux appareils radio exempts de licence. L'exploitation est autorisée aux deux conditions suivantes : (1) l'appareil ne doit pas produire de brouillage, et (2) l'utilisateur de l'appareil doit accepter tout brouillage radioélectrique subi, même si le brouillage est susceptible d'en compromettre le fonctionnement.