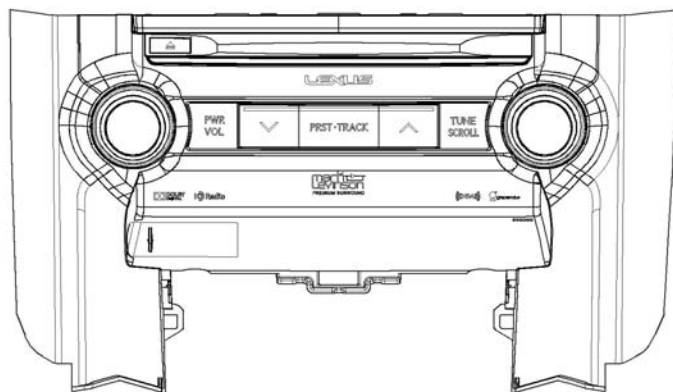


User manual



Model name	Car Navigation
Model No	FT0048A

Index

	Page
1-Function list	3P-6P
2-Button function	7P

revision history

revision number	Date	author	Content of change
00	201/03/19		NEW

1-Function list

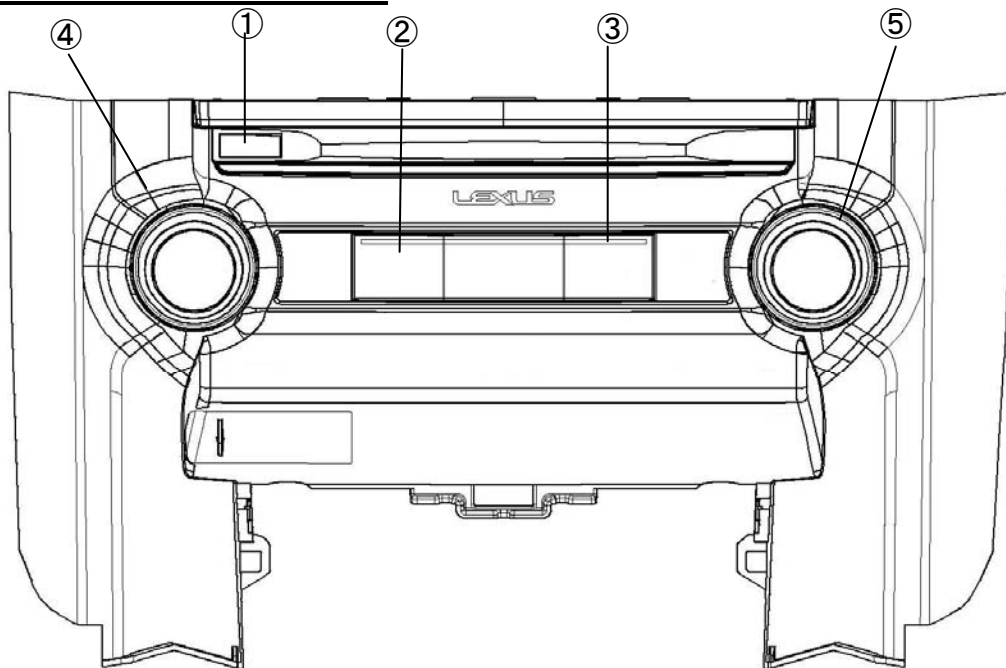
Function		North America	Canada
ハンドル	STEERING WHEEL	LHD	←
NAVI	NAVIGATION	SD	←
RADIO	←	AM/FM	←
フェーズダイバー	PHASE DIVER	○	←
SWダイバー	SWITCHING DIVER	—	←
DTV	DIGITAL TV	—	←
デッキ	DECK	DVD-PLAYER	←
CDリッピング	CD RIPPING	—	←
USBオーディオ	USB AUDIO	○	←
BTオーディオ	BLUETOOTH AUDIO	○	←
AUX	←	○	←
VTR	←	○	←
ハンズフリー	HANDSFREE	○	←
後席映像出力 (DVD/VTR)	REAR SEAT VIDEO OUTPUT (DVD/VTR)	○	←
A/C操作	A/C OPERATION SCREEN	○	←
言語切替	SET LANGUAGE	○	←
音声認識	SPEECH RECOGNITION	○	←


Function		North America	North America
周辺監視	SURROUND MONITORING	○	←
クリソナ	CLEARANCE SONAR	○	←
e-NAVI	e-NAVI	○	←
リモートサービス	REMOTE SERVICE	○	←
ハザードSW	HAZARD SWITCH	-	←
P席 A/Bインジケータ	PASSENGER INDICATOR	-	←
セキュリティインジケータ	SECURITY INDICATOR	-	←

Function		North America	Canada
定格電圧	RATED VOLTAGE	DC 13.2V	←
動作電源電圧	OPERATING VOLTAGE	DC 10.5V ~16V	←
暗電流	BACK UP CURRENT	MAX:3.7mA以下(12V) MAX:3.7mA OR LESS(12V)	←
消費電流	POWER CONSUMPTION	MAX:9.9A以下(10.5V) MAX:9.9A OR LESS(10.5V)	←
AM 受信周波数	AM TUNING RANGE	530~1710 kHz	←
FM 受信周波数	FM TUNING RANGE	87.75~107.9MHz	←
XM 受信周波数	XM TUNING RANGE	2332.5~2345kHz	←
HD-AM 受信周波数	HD-AM TUNING RANGE	530~1710 kHz	←
HD-FM 受信周波数	HD-FM TUNING RANGE	87.75~107.9MHz	←

Function		North America	Canada
DVD 部	DVD PLAYER	12cm 1枚 12cm 1 DISC	←
SD 容量 (MAP)	SD CAPACITY (MAP)	16G	←
性能保証温 度範囲	PERFORMANCE GUARANTEED TEMPERATURE RANGE	-20~65°C	←
通信機能	COMMUNICATION FUNCTION	-30~65°C	←
メカ可動部	MOVABLE PART	-20~65°C	←
保存温度範 囲	PRESERVATION TEMPERATURE RANGE	-40~85°C	←

4-Button function



No.	Button Name	Time	Function
①		-	DISC EJECT
②	<CH•TRACK	-	Preset-Channel DOWN Key Track DOWN Key
③	CH•TRACK>	-	Preset-Channel UP Key Track UP Key
④	PWR•VOL	-	PWR supply switch (Audio ON/OFF) VOL control
⑤	TUNE•SCROLL	-	TUNE•SCROLL control LIST choice

■ Certification

> For vehicles sold in the U.S.A.
FCC ID: BABFT0048A

CAUTION: Radio Frequency Radiation Exposure

This equipment complies with FCC radiation exposure limits set forth for an uncontrolled environment and meets the FCC radio frequency (RF) Exposure Guidelines in Supplement C to OET65. This equipment should be installed and operated keeping the radiator at least 20cm or more away from person's body (excluding extremities: hands, wrists, feet and ankles).

Co-location: This transmitter must not be co-located or operated in conjunction with any other antenna or transmitter.

This device complies with part 15 of the FCC Rules. Operation is subject to the following two conditions: (1) This device may not cause harmful interference, and (2) this device must accept any interference received, including interference that may cause undesired operation.

FCC WARNING

Changes or modifications not expressly approved by the party responsible for compliance could void the user's authority to operate the equipment.

> For vehicles sold in Canada

• IC: 2024B-FT0048A

This device complies with Industry Canada licence-exempt RSS standard(s). Operation is subject to the following two conditions: (1) this device may not cause interference, and (2) this device must accept any interference, including interference that may cause undesired operation of the device.

Le présent appareil est conforme aux CNR d'Industrie Canada applicables aux appareils radio exempts de licence. L'exploitation est autorisée aux deux conditions suivantes : (1) l'appareil ne doit pas produire de brouillage, et (2) l'utilisateur de l'appareil doit accepter tout brouillage radioélectrique subi, même si le brouillage est susceptible d'en compromettre le fonctionnement.

CAUTION: Radio Frequency Radiation Exposure

This equipment complies with IC radiation exposure limits set forth for an uncontrolled environment and meets RSS-102 of the IC radio frequency (RF) Exposure rules. This equipment should be installed and operated keeping the radiator at least 20cm or more away from person's body (excluding extremities: hands, wrists, feet and ankles).

ATTENTION: l'exposition aux rayonnements radiofréquence

– Cet équipement est conforme aux limites d'exposition aux rayonnements énoncées pour un environnement non contrôlé et respecte les règles d'exposition aux fréquences radioélectriques (RF) CNR-102 de l'IC. Cet équipement doit être installé et utilisé en gardant une distance de 20cm ou plus entre le dispositif rayonnant et le corps (à l'exception des extrémités : mains, poignets, pieds et chevilles).