

FT0087A

User manual



Model name	Car Audio
Model No	FT0087A

<u>Index</u>	Page
1-Rating	2P
2-Button function spec	3~5P
3-System spec	6P

1-Rating


RATED VOLTAGE	DC12V
LOAD IMPEDANCE	4Ω
BACK UP CURRENT	1mA OR LESS
RATED CURRENT	3.0 ± 0.5A (Vcc=14.4V 0.5W OUTPUT)
AM TUNING RANGE	522~1629kHz
FM TUNING RANGE	87.5~108.0MHz
CD/DVD TYPE	12cm DISC


2-Button function spec

<E4MU/DVD/USB/AUX/BT-Y>

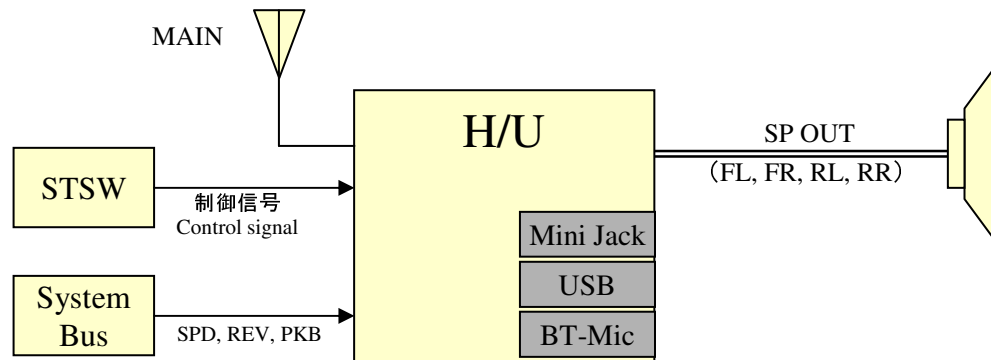


Button No.	Button Name	Operation	Function
①	POWER	Push	Audio OFF, Audio ON
②	EJECT	Push	(ACC-ON) Disc Eject (BU-ON, ACC-OFF) Emergency Eject
③	MENU / DISP	Push below 0.8sec	(ACC-ON) MAIN MENU (MAIN MENU) Previous Screen
		Push over 0.8sec	Display Adjustment Mode
④	VOLUME UP	Push	Volume UP
⑤	VOLUME DOWN	Push	Volume DOWN

Button No.	Button Name	Operation	Function
⑥	UP 	Push below 0.8sec	(Radio) Tune UP (CD-DA) Track UP (MP3/WMA/AAC DISC) File UP (USB Music) File UP (iPod Music) Song UP (Bluetooth Audio) Track UP (DVD Video) Chapter UP
		Push over 0.8sec below 1.7sec	(Radio) Seek UP
		Push over 0.8sec	(CD-DA) Fast UP (MP3/WMA/AAC DISC) Fast UP (USB Music) Fast UP (iPod Music) Fast UP (Bluetooth Audio) Fast UP (DVD Video – Playing) Fast UP (DVD Video – Pause) Slow Forward
		Push over 1.7sec	(Radio) Non-Stop Seek UP

Button No.	Button Name	Operation	Function
⑦	DOWN 	Push below 0.8sec	(Radio) Tune DOWN (CD-DA) Track DOWN, Return to beginning of current track (MP3/WMA/AAC DISC) File DOWN, Return to beginning of current file (USB Music) File DOWN, Return to beginning of current file (iPod Music) Song DOWN, Return to beginning of current song (Bluetooth Audio) Track DOWN Return to beginning of current track (DVD Video) Chapter DOWN Return to beginning of current chapter
		Push over 0.8sec below 1.7sec	(Radio) Seek DOWN
		Push over 0.8sec	(CD-DA) Fast DOWN (MP3/WMA/AAC DISC) Fast DOWN (USB Music) Fast DOWN (iPod Music) Fast DOWN (Bluetooth Audio) Fast DOWN (DVD Video - Playing) Fast DOWN (DVD Video - Pause) Slow Back
		Push over 1.7sec	(Radio) Non-Stop Seek DOWN

3-System spec



FCC ID: BABFT0087A

CAUTION: Radio Frequency Radiation Exposure

This equipment complies with FCC radiation exposure limits set forth for uncontrolled equipment and meets the FCC radio frequency (RF) Exposure Guidelines. This equipment has very low levels of RF energy that it deemed to comply without maximum permissive exposure evaluation (MPE). But it is desirable that it should be installed and operated with at least 20cm and more between the radiator and person's body in normal use position.

Co-location: This transmitter must not be co-located or operated in conjunction with any other antenna or transmitter.

This device complies with part 15 of the FCC Rules. Operation is subject to the following two conditions: (1) This device may not cause harmful interference, and (2) this device must accept any interference received, including interference that may cause undesired operation.

FCC WARNING

Changes or modifications not expressly approved by the party responsible for compliance could void the user's authority to operate the equipment.