



HYPE™
Wireless Karaoke
Mic & LED Speaker
Operation Manual HY-WKM

FCC ID: 2AANZHYWKM
BT ID: D042258
MADE IN CHINA

Thank you for purchasing the Hype™ Wireless Karaoke Mic & LED Speaker. Please read all instructions carefully before using and retain this manual for future use and reference.

PACKAGE CONTENTS

- Wireless Karaoke Mic
- Micro USB Charging Cable
- Operation Manual

KEY FEATURES

- Compatible with Bluetooth®-enabled devices
- Built-in rechargeable battery
- Color-changing LED light
- Built-in speaker
- Volume and echo control
- Multimedia shortcuts
- TF compatible

SAFETY INSTRUCTIONS

Keep the unit away from heat sources, direct sunlight, humidity, water and any other liquids.

Do not operate the unit if it has been exposed to water, moisture or any other liquids to prevent against electric shock, explosion and/or injury to yourself and damage to the unit.

Do not use the unit if it has been dropped or damaged in any way.

Repairs to electrical equipment should only be performed by a qualified electrician. Improper repairs may place the user at serious risk.

Do not puncture or harm the exterior surface of the product in any way.

Keep the unit free from dust, lint, etc.

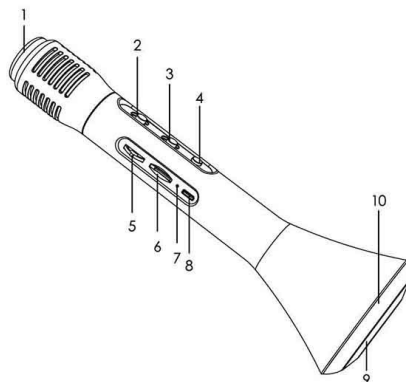
Do not use this unit for anything other than its intended use or purpose. Doing so may damage the device.

This product is not a toy. Keep out of reach of children.

Do not use the headset at excessive levels as this may damage hearing.

Do not expose batteries, battery pack, or batteries to installed to excessive heat, such as direct sunlight, or open flame.

DIAGRAM



1. Mic
2. Echo Switch
3. Volume Switch
4. On/Off /Led Switch
5. Multifunction Button
6. Micro SD Slot
7. LED Indicator
8. Micro USB Charge Port
9. Multi-color LED Light
10. Built-in Speaker

CHARGING THE KARAOKE MIC

The karaoke mic comes with a built-in rechargeable battery. Before using it for the first time, we recommend you charge the battery fully. Only use the supplied charge cable to charge the speaker.

Connect the USB end to a computer USB port or a USB wall charger and the micro USB to the charge port on the karaoke mic. The red LED indicator will illuminate while the karaoke mic is charging.

A full charge of the battery takes around 3-4 hours. When the battery is fully charged, the LED indicator will turn off. Disconnect the karaoke mic at this point. The karaoke mic will then be ready for use.

When the battery is low, the LED indicator will flash red and emit three tones every 20 seconds. When this occurs, please recharge the karaoke mic. When using your karaoke mic with an iPhone, the top right corner will indicate your karaoke mic's battery life.

PROMPT NOTIFICATION

- The karaoke mic will notify you with a beep prompt when power on.
- The Karaoke mic will notify you with a beep prompt when the Bluetooth is connected.
- The Karaoke mic will notify you with a beep prompt when power off.
- The Karaoke mic will notify you with a beep prompt when switch between TF and BT mode.

PAIRING THE KARAOKE MIC

1. Ensure the karaoke mic is turned off. If it is not, please turn off the karaoke mic first before pairing.
2. Press and hold the multifunction button for 3 seconds until the blue LED indicator flashes. This will indicate your karaoke mic is now in pairing mode.
3. Place the karaoke mic and the Bluetooth® device to which you would like to pair it within the operating distance. We recommend keeping the two devices no further than 3

feet apart.

4. Ensure Bluetooth is enabled on your device. Refer to the manufacturer's instructions for how to enable Bluetooth on your device.

5. Once you have activated Bluetooth on your device, select the karaoke mic "HY-WKM" from the list of available Bluetooth devices.

6. If required, enter the PIN code "0000" and confirm the entry.

Note: If pairing is unsuccessful, turn off the karaoke mic first and re-pair following the aforementioned steps. Once you have paired the karaoke mic with a device, the karaoke mic will remember this device and will pair automatically when the device's Bluetooth is activated and in range. You do not need to re-pair any previously connected devices.

OPERATING THE KARAOKE MIC

Playing music wirelessly

Once the karaoke mic is paired to your device, you can stream music wirelessly to the built-in speaker. Select the track you wish to listen to on your device to play through the speaker. Should you encounter any problems while streaming, please refer to your device's user manual.

Playing music from micro SD card

Insert a TF card loaded with your playlist into the micro SD slot. When a TF card is inserted, the karaoke mic will automatically switch to playing music from the TF card. Hold the multimedia function button for 3 seconds to switch between TF and BT modes.

Play track

Press the multimedia dial down once to start playing a track.

Pause track

Press the multimedia dial down once to pause the current track.

Skip to next track

Turn the multimedia dial right once to skip to the next track. Turn right and hold the multimedia dial to increase the

volumn.

Skip to previous track

Turn the multimedia dial left once to skip to the previous track.

Turn left and hold the multimedia dial to decrease the volumn.

Adjust Voice Echo

Push the echo switch up or down to adjust voice echo.

Adjust Voice Volume

Push the volume switch up or down to adjust voice volume.

TURN ON/OFF OR SWITCH LED LIGHT

1. When the karaoke mic is turned on, press the LED button once to turn on the LED light. It will start in solid color mode. The first color will be solid red.
2. Press the LED button 4 more times to cycle through other solid colors (blue, green, pink, light blue in that order).
3. Press the LED button a 6th time to switch the LED light to fade mode. The LED light will transition through all colors.
4. Press the LED button a 7th time to turn off the LED light.

SPECIFICATIONS

Bluetooth® Version:	V4.2
Operating Distance:	Up to 33ft (10m)
Pick Up:	Capacitive
Speaker Output:	3W
Frequency Range:	20Hz-20kHz
Sensitivity:	78db-113db
Play Time:	Up to 4 hours
Battery Type:	Lithium Battery
Battery Capacity:	1200mAh
Charging Voltage:	DC 5V
Charging Time:	3-4 Hours
Charging Interface:	Micro USB
Weight:	0.445 lb / 0.202 kg

CARE AND MAINTENANCE

- Do not expose the unit to excessive heat or humidity to avoid damage to the product's internal circuitry.
- Do not use abrasive cleaning solvents to clean the unit.
- Do not expose the unit to extremely high or low temperatures as this will shorten the life of the electronic device, destroy the battery, and/or distort certain plastic parts.
- Do not dispose of the unit in fire as they may explode or combust.
- Do not expose the unit to contact with sharp objects as this will cause scratches and damage.
- Do not let the unit fall from high places, as doing so may damage the internal circuitry.
- Do not attempt to disassemble the unit.

FCC STATEMENT

This device complies with part 15 of the FCC Rules. Operation is subject to the following two conditions: (1) This device may not cause harmful interference, and (2) this device must accept any interference received, including interference that may cause undesired operation. FCC INSTRUCTIONS FOR A CLASS B DIGITAL DEVICE OR PERIPHERAL

Note:

Changes or modifications not expressly approved by the party responsible for compliance could void the user's authority to operate the equipment.

This equipment has been tested and found to comply with the limits for a Class B digital device, pursuant to part 15 of the FCC Rules. These limits are designed to provide reasonable protection against harmful interference in a residential installation. This equipment generates, uses and can radiate radio frequency energy and, if not installed and used in accordance with the instructions, may cause harmful interference to radio communications. However, there is no guarantee that interference will not occur in a particular installation. If this equipment does cause harmful interference to radio or television reception, which can be determined by turning the equipment off and on, the user is encouraged to try to correct the interference by one or more of the following measures:

- Reorient or relocate the receiving antenna.
- Increase the separation between the equipment and receiver.
- Connect the equipment into an outlet on a circuit different from that to which the receiver is connected.
- Consult the dealer or an experienced radio/TV technician for help.

WARRANTY

For warranty information, Please contact us at : support@dglusa.com.