



Hologram Sticker Placement

PVC window



DGL Toys™ is an innovative division of DGL Group, Ltd.  
Other trademarks and trade names are those of their respective owners.

DGL Toys,  
195 Raritan Center Parkway Edison, NJ 08837.  
Specifications, colors and contents may vary from illustrations.  
Please retain this package for future use.  
Conforms to safety requirements of ASTM, FCC, & CPSIA.  
Adult supervision suggested

- BATTERY WARNING:**
- Do not mix alkaline, standard (carbon zinc), rechargeable (nickel hydride) batteries.
  - Do not mix old and new batteries.
  - Non-rechargeable batteries should not be recharged.
  - Rechargeable batteries should be removed from the appliance before being charged.
  - Rechargeable batteries should be charged under adult supervision only.
  - Exhausted batteries should be removed.
  - The supply terminals should not be short-circuited.
  - Only batteries of the same or equivalent type are recommended to be used.
  - Batteries should be inserted with the correct polarity.

Car operates on 5 x AA batteries. (not included)  
Remote operates on 2 x AA batteries. (not included)

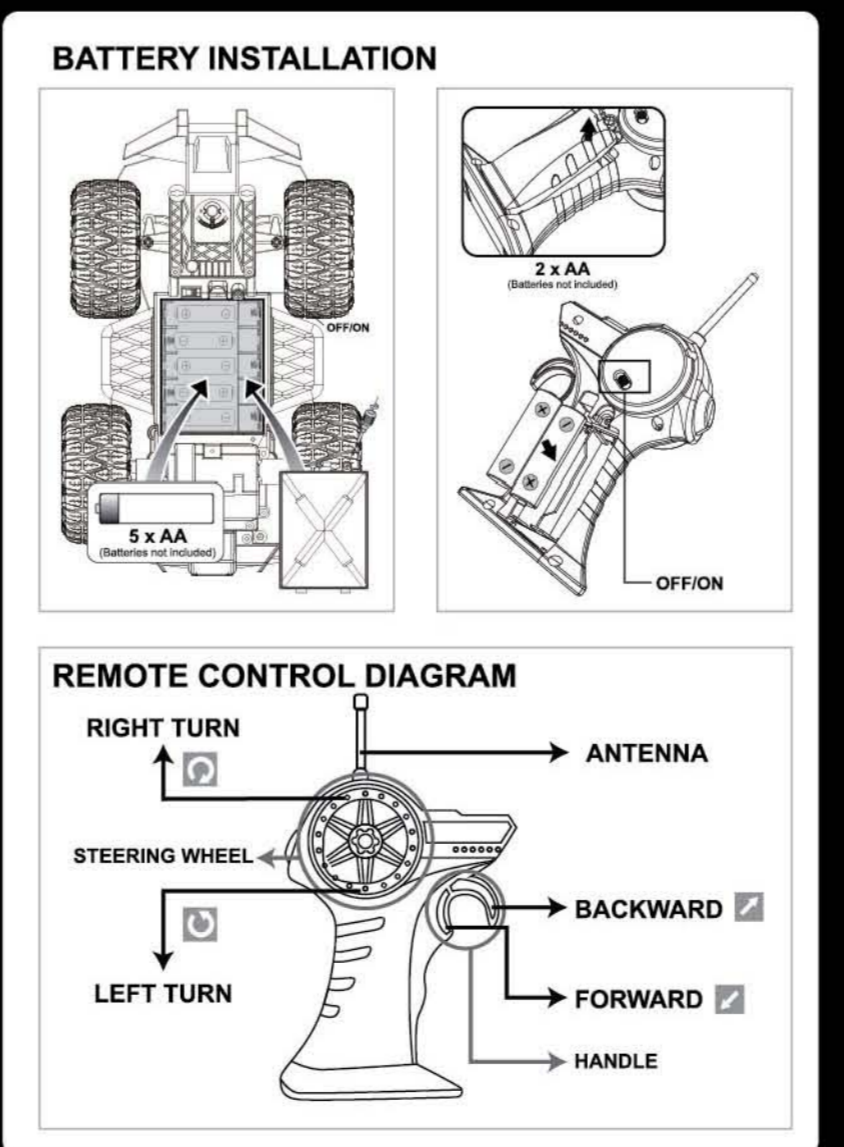
**FCC STATEMENT**  
This device complies with part 15 of the FCC rules. Operation is subject to the following two conditions: (1) This device may not cause harmful interference, and (2) this device must accept any interference received, including interference that may cause undesired operation.

Please note that changes or modifications not expressly approved by the party responsible for compliance could void the user's authority to operate the equipment.

**FCC INSTRUCTIONS FOR A CLASS B DIGITAL DEVICE OR PERIPHERAL:**

Note: The equipment has been tested and found to comply with the limits for a Class B digital device, pursuant to part 15 of the FCC rules. These limits are designed to provide reasonable protection against harmful interference in a residential installation. The equipment generates, uses and can radiate radio frequency energy and, if not installed and used in accordance with the instructions, may cause harmful interference to radio communications. However, there is no guarantee that interference will not occur in a particular installation. If the equipment does cause harmful interference to radio or television reception, which can be determined by turning the equipment off and on, the user is encouraged to try to correct the interference by one of the following measures:

- Reorient or relocate the receiving antenna.
- Increase the separation between the equipment and receiver.
- Connect the equipment into an outlet on a circuit different from that to which the receiver is connected.
- Consult the dealer or an experienced radio/TV technician for help.



Manufactured in China.  
Batch Ref: 30828302  
Model Number: NFL-RC-MNTR  
FCC ID: 2AANZRCMNTR

**WARNING:**  
CHOKING HAZARD—Small parts. Not for children under 3 years.