



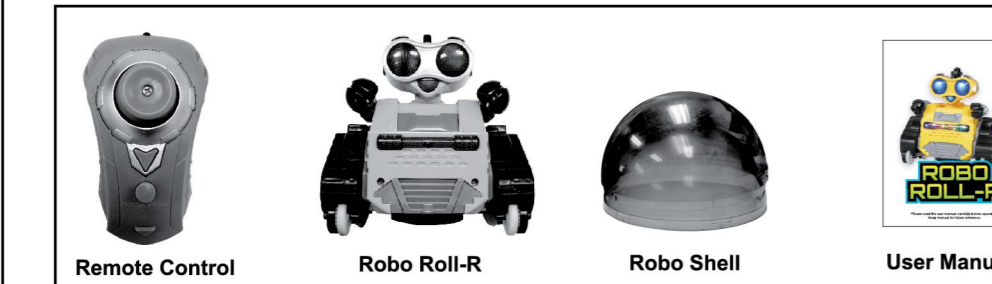
# ROBO ROLL-R

\*Please read the user manual carefully before operation.  
 Keep manual for future reference.

AGE 8+

Thank you for purchasing our product. In order to make it easier for you to use this product, we recommend that you read this manual carefully and keep for future reference.

### 1. PACKAGE CONTENTS



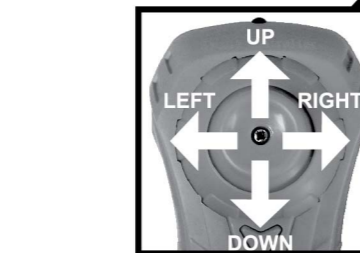
### 2. SAFETY PRECAUTIONS

1. Before you start playing with this toy, please read the instructions.
2. Small parts should be kept out of the reach of children to avoid accidents.
3. Do not leave batteries in high temperatures, or heated areas such as near a fire or stove or near an open flame.
4. Keep this toy at least 6 feet away from other people when controlling.
5. Do not disassemble or alter this product as it may cause the product to malfunction and be dangerous.
6. Ensure that the toy is within the sensing range for easy control.
7. Adult supervision is always recommended.
8. Make sure you always use new batteries in the Robot and Remote controller.
9. Do not touch the ROBO ROLL-R while it is in motion.
10. Do not drive near obstacles, people, or pets.
11. Do not operate if the ROBO ROLL-R is damaged.
12. Adult supervision is always recommended.

### 3. GETTING TO KNOW YOUR ROBO ROLL-R

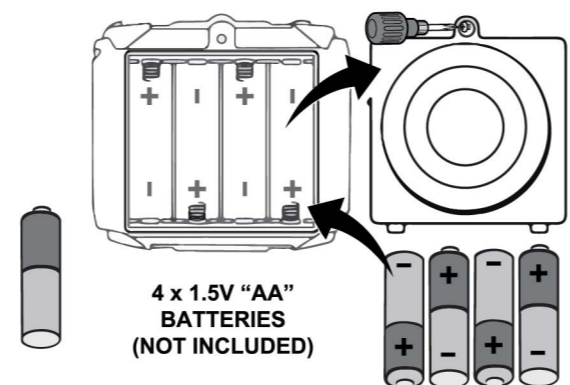


POWER  
(Back of Robot)



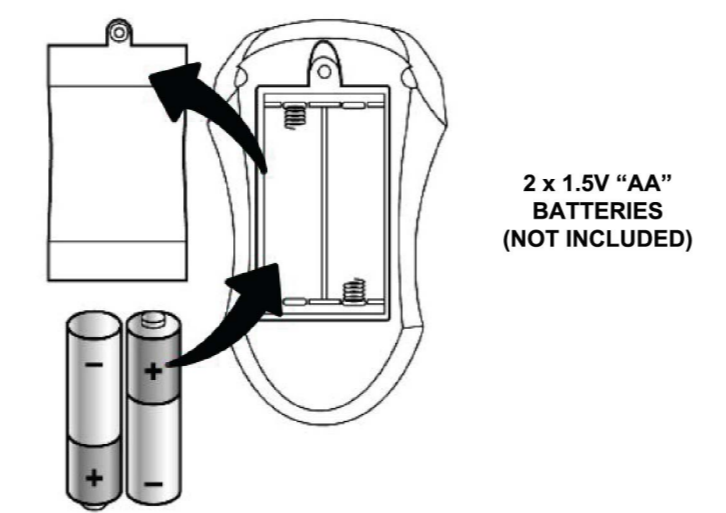
### 4. ROBO ROLL-R BATTERY INSTALLATION

1. Ensure the Robo Roll-R is turned off.
2. Use a screwdriver to unlock the battery cover at the base of the robot.
3. Remove the battery cover.
4. Install 4 "AA" batteries in the correct polarity as shown in the compartment. Batteries are not included.
5. Replace the battery cover, and replace the battery cover screw.



### 5. REMOTE BATTERY INSTALLATION

1. To open the battery cover, turn the screwdriver in counterclockwise direction.
2. Remove the battery covers. For the remote controller, install 2 "AA" batteries in the battery compartment, following the polarity direction inscribed inside.
3. Install the battery cover, and tighten the screw in a clockwise direction.



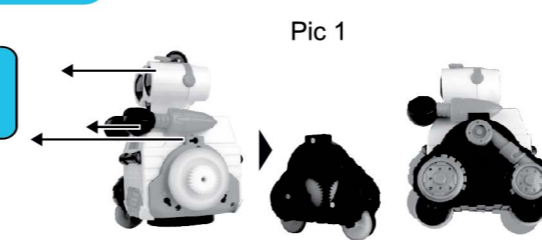
### 6. ROBO ROLL-R CONTROLS

1. Turn the POWER switch on the base of your robot to the "ON" position.
2. Insert batteries into the remote. The remote will automatically turn on. (Remote will turn off after 10 minutes of idle time, use the power button to wake the remote.)
3. As indicated on the right, move throttle on the remote to ensure it is on.
4. The LED at the front of the remote will flash for a few seconds. When it synchronizes, the LED will turn off.
5. Put the Robo-Roll-R on a flat, even surface.
6. Ensure you are holding the remote control within 10ft (3m) of your Robo-Roll-R.

\* IMPORTANT: Do not touch the throttle during the synchronization process.

### 7. ROBO ROLL-R WHEEL INSTRUCTIONS

Place wheel on the side of robot and twist to lock it in!



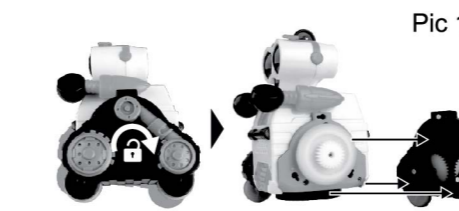
Check to make sure The Robots power is on.



Press the throttle and watch it go!

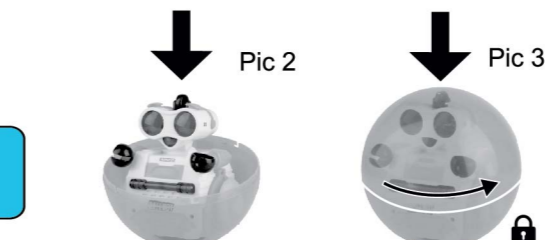


### 8. ROBO ROLL-R BALL INSTRUCTIONS



Twist the wheel clockwise to unlock and detach from the Robo Roll-R.

Place ROBO ROLL-R in Ball, Twist cover to lock in place.



### 9. TROUBLESHOOTING

Problem	Cause	Solution
Remote Won't Work	1. There are no batteries installed or batteries are improperly installed. 2. Batteries are dead.	1. Ensure batteries are installed in the correct polarity position indicated. 2. Replace batteries.
Toy Won't Work	1. ROBO ROLL-R is not turned on. 2. Batteries are dead.	1. Switch power button to ON position. 2. Replace Batteries.
Toy Suddenly Stops	1. Batteries are dead. 2. Light interference.	1. Replace remote and/or robot batteries. 2. Ride in a different environment to avoid strong light.

### 10. CARE AND MAINTENANCE

1. Use a damp cloth to clean this product.
2. Avoid prolonged exposure to sun or heat.
3. Do not submerge the toy in water. Doing so will damage electronic components.
4. When not in use, you should power off the remote controller and ROBO ROLL-R.
5. When storing for a long period of time, you should remove the batteries from the remote control and store both remote and robot in a dry location.
6. It is recommended to use new alkaline batteries for the remote control, to ensure the toy's best performance.

### 11. BATTERY WARNING, CARE & MAINTENANCE

1. Do not mix alkaline, standard (carbon zinc), rechargeable (nickel hydride) batteries.
2. Do not mix old and new batteries.
3. Non-rechargeable batteries should not be recharged.
4. Rechargeable batteries should be removed from the toy before being charged.
5. Rechargeable batteries should be charged under adult supervision only.
6. Depleted batteries should be removed.
7. The supply terminals should not be short-circuited.
8. It is recommended to only use batteries of the same or equivalent type.
9. Batteries should be inserted with the correct polarity.
10. Please use the charger from original factory to ensure your safe usage.
11. Do not charge outworn batteries.
12. Do not over charge battery. Please unplug the charger once fully charged.
13. Do not charge the battery next to inflammables, such as carpet, timber floor or wood furniture or on the surface of electro-conductive objects. Please always keep an eye on the battery when charging.
14. Do not charge battery when it is not cooled down.
15. The charging temperature should be between 0°-40°C.
16. See operating instructions of this battery or product.
17. Do not dispose of the battery as normal garbage. Please familiarize yourself with the local garbage disposal methods for batteries and dispose of batteries according to special requirements as required by state and local guidelines.

### 12. WARRANTY

For warranty info, please visit [www.dglt toys.com](http://www.dglt toys.com)

Manufactured in Shantou, Guangdong, China.  
 Batch Ref: 180822DGL  
 Model Number: AW-ROBO-ROLL  
 FCC ID: 2AANZROBO

DGL TOYS™ is an innovative division of DGL Group, Ltd.  
 Other trademarks and trade names are those of their respective owners.

DGL TOYS, 195 Raritan Center Parkway, Edison, NJ 08837.

Specifications, colors and contents may vary from illustrations.  
 Please retain this package for future use.

CAUTION: Adult assembly required due to small parts and sharp edges.  
 Keep out of reach from children and dispose of unused parts and wrappings responsibly.



### 13. FCC STATEMENT

This device complies with part 15 of the FCC Rules. Operation is subject to the following two conditions: (1) This device may not cause harmful interference, and (2) this device must accept any interference received, including interference that may cause undesired operation.

Please note that changes or modifications not expressly approved by the party responsible for compliance could void the user's authority to operate the equipment.

### FCC INSTRUCTIONS FOR A CLASS B DIGITAL DEVICE OR PERIPHERAL

Note: This equipment has been tested and found to comply with the limits for a Class B digital device, pursuant to part 15 of the FCC Rules. These limits are designed to provide reasonable protection against harmful interference in a residential installation. This equipment generates, uses and can radiate radio frequency energy and, if not installed and used in accordance with the instructions, may cause harmful interference to radio communications. However, there is no guarantee that interference will not occur in a particular installation. If this equipment does cause harmful interference to radio or television reception, which can be determined by turning the equipment off and on, the user is encouraged to try to correct the interference by one or more of the following measures:

- Reorient or relocate the receiving antenna.
- Increase the separation between the equipment and receiver.
- Connect the equipment into an outlet on a circuit different from that to which the receiver is connected.
- Consult the dealer or an experienced radio/TV technician for help.

THIS CLASS B DIGITAL APPARATUS COMPLIES WITH CANADIAN ICES-003.