

Giant Novelty Earbud Speaker User Manual

NOR-XLB-WHT

Thank you for choosing our wireless audio player, please read the entire contents of this user manual before operation. It is filled with reference information that will allow you to make the fullest use of the product. We appreciate your kind understanding if there is any misprint or translation error.

Function Introduction

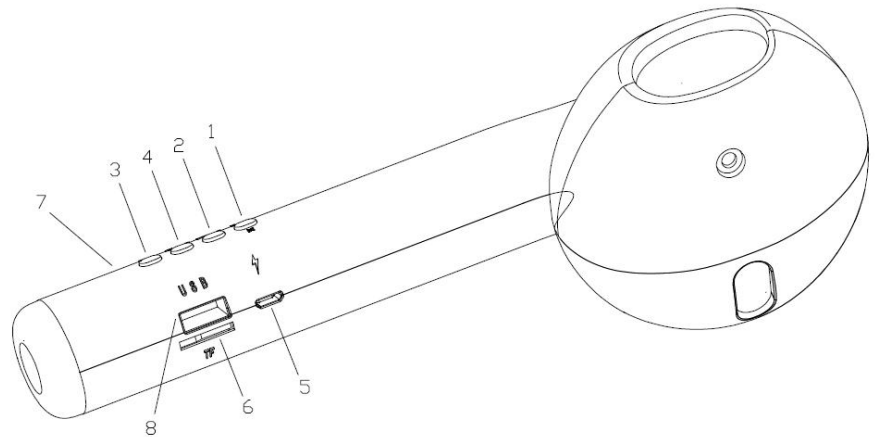
- Wireless audio: Stereo sound with MAX 10m liner receiving range.
- Wireless communication: Provide clear sound by using high fidelity wireless chip, no echo or tiny voice occurred.
- TF function: Power-off memory and loop playback function.
- USB function: Power-off memory and loop playback function.
- . USB output voltage: DC 5V/1A.
- . Aux-in: Easy to connect with laptop, mobile phone and other device with a 3.5mm audio cable.
- . TWS (True wireless) function: Player A and player B could play same music source under Bluetooth mode.

In the box:

- 1X audio player
- 1X charging cable
- 1X user manual

Controls & Functions:

1. Power/mode button
2. Previous song/volume down
3. Play/pause
4. Next song/volume up
5. Charging port/AUX-IN port
6. TF card slot
7. Mic
8. USB port



Power on & power off operating instruction

Power on: Press the power button for 2-3 seconds and then the speaker will be in pairing model after voice prompt.

Power off: Just press the power button for 2-3 seconds no matter which mode the speaker is staying, it will be power off accordingly.

Automatically shut down at low voltage: Please charging the speaker as soon as possible if the product working abnormally or power off at low voltage.

Wireless function introduction: Searching the Bluetooth pairing name “MK-101” on your cell phone after speaker power on, then click “MK-101” and the Bluetooth device will automatically match successfully after a few seconds, the password is “0000” if necessary. The speaker will automatically connect the device which it connected at the last time.

buttons function under wireless mode: short press “-”button for previous song, long press “-”button for volume down. short press “+”button for next song, long press “+”button for volume up. Short press “play button” for pause or play function.

Short press “play button” to answer the call or hang up, long press to reject a call; U could control the volume with your fingers pressed on the volume button.

Wireless communication function: you could answer the phone by pressing the corresponding button when there is a call coming; the best calling effect is within 1m from the speaker, you could adjust the volume according to your requirement.

TF card function introduction:

TF card playing function: Switching to TF card playing mode by pressing the mode button or put the TF card into the card slot directly, as the speaker with power-off memory and loop playback function.

buttons function under TF card mode: short press “-”button for previous song, long press “-”button for volume down. short press “+”button for next song, long press “+”button for volume up. Short press “play button” for pause or play function.

USB function introduction:

USB function: Switching to USB mode by pressing the mode button or put the USB disk into the USB port directly, as the speaker with power-off memory and loop playback function.

buttons function under USB mode: short press “-”button for previous song, long press “-”button for volume down. short press “+”button for next song, long press “+”button for volume up. Short press “play button” for pause or play function.

AUX-IN function introduction:

AUX-IN mode function introduction: Switching to AUX-IN mode by connecting with an audio cable, If you have already put the audio cable in the speaker before power on, just press the MODE button to select AUX IN mode.

Buttons function under AUX-IN mode: Short press “play button” for pause or play function. long press “-” button for volume down and long press “+”button for volume up.

TWS Operation

Attention: Please make sure that the 2 speakers both NOT connecting with any mobile device before doing TWS operation.

- . Suppose A is host player, B is slave player, power on A and B one by one, Double click the power/mode button of A, you will hear a “Ding-dong” prompt voice after 3-5 seconds when B connected with A successfully. Then searching the Bluetooth pairing name “ **NOR-XLB-WHT** ” on your cell phone and click “ **NOR-XLB-WHT**”, A could play music once paired successfully, B will play the same music at the same time.
- . You could control the volume, songs selection, pause, play, power off by pressing the buttons of either audio player during music playing.
- . Double click TWS (BT) button means turn off this function after the 2 speakers connected together.
- . TWS function ONLY could operate under Bluetooth mode, NO other modes.

Technical Parameter:

- Output power: 1x7W
- Working voltage: DC 3.7V
- Built-in battery: 3.7V / 1800mAh.
- Input voltage: DC 5V/1A
- Frequency: 60Hz-18 KHz
- Bluetooth version: 5.0
- BT operating range: 10m (no obstacle distance)
- SNR: >60dB
- Distortion: <10%
- Support MP3: bite rate, 32kbps-320kbps

Cautions

You will need to confirm to comply with the following basic safety instructions to guarantee safe and reliable use of the product.

- It is not allowed to make the product fall or suffer from thump.
- It is not allowed to make the product close to high magnetic field.
- It is not allowed to make the product close to high temperature heat source, or dry or blow the product at high temperature.
- It is not allowed to disassemble, repair or remake the product.
- Do not listen music at a high volume for a long time in case a bad effect on hearing.
- It is not allowed to use clean water to clean the speaker, a slightly wet cleaning cloth is workable.
- Please charging in time and unplug the charging cable when fully charged to extend the battery lifetime.
- Please properly handle the waste packaging, battery and waste electronics with corresponding classification.

FCC STATEMENT :

This device complies with Part 15 of the FCC Rules. Operation is subject to the following two conditions:

This device may not cause harmful interference, and

This device must accept any interference received, including interference that may cause undesired operation.

Warning: Changes or modifications not expressly approved by the party responsible for compliance could void the user's authority to operate the equipment.

NOTE: This equipment has been tested and found to comply with the limits for a Class B digital device, pursuant to Part 15 of the FCC Rules. These limits are designed to provide reasonable protection against harmful interference in a residential installation. This equipment generates uses and can radiate radio frequency energy and, if not installed and used in accordance with the instructions, may cause harmful interference to radio communications. However, there is no guarantee that interference will not occur in a particular installation. If this equipment does cause harmful interference to radio or television reception, which can be determined by turning the equipment off and on, the user is encouraged to try to correct the interference by one or more of the following measures:

Reorient or relocate the receiving antenna.

Increase the separation between the equipment and receiver.

Connect the equipment into an outlet on a circuit different from that to which the receiver is connected.

Consult the dealer or an experienced radio/TV technician for help.

RF warning statement:

The device has been evaluated to meet general RF exposure requirement. The device can be used in portable exposure condition without restriction.