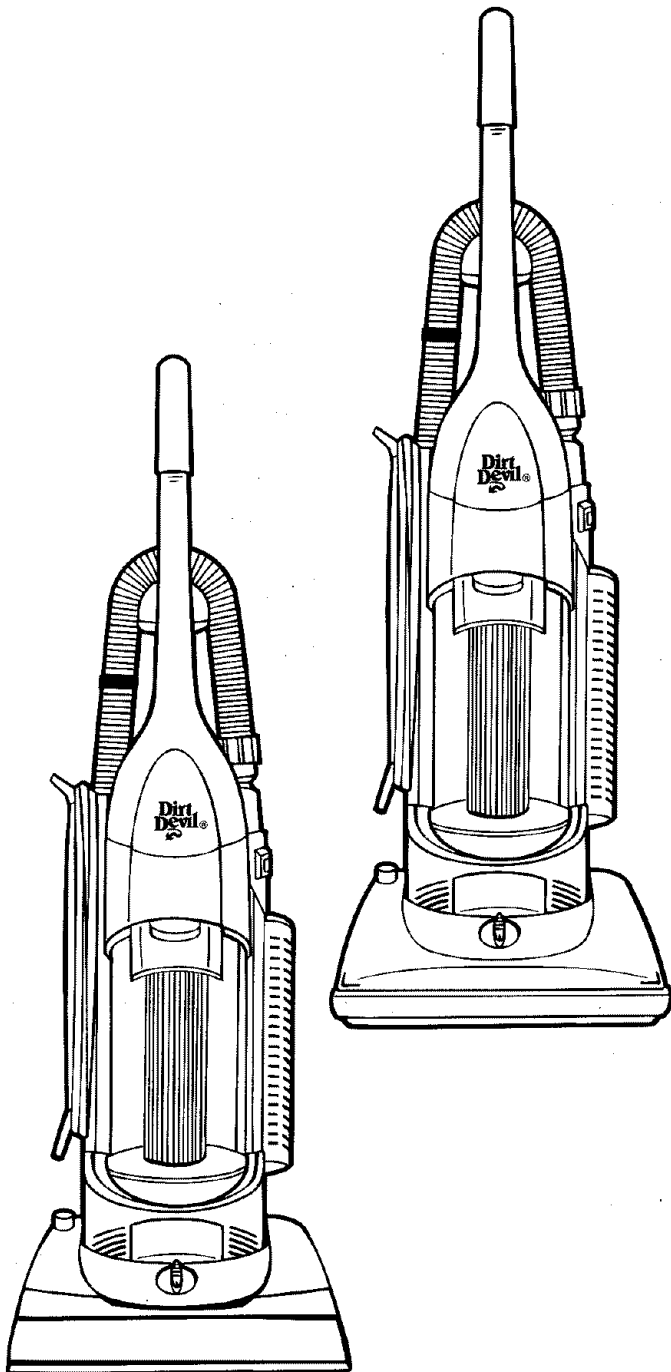




**OWNER'S MANUAL**  
Operating and Servicing  
Instructions



**SWIVEL GLIDE®**



- Please read these instructions carefully before using your Swivel Glide® Vision®.
- Let us help you put your cleaner together or answer any questions, call:

**1-800-321-1134 (USA & Canada)**  
**website: [www.dirtdevil.com](http://www.dirtdevil.com)**

For quick reference, please record your vacuum information below.

Model #: \_\_\_\_\_

Mfg. Code: \_\_\_\_\_

(Mfg. code located on the lower backside of cleaner)

©1998 All rights reserved #1-113344-000

3/03

## CONGRATULATIONS

You are now the proud owner of the Dirt Devil® Swivel Glide® Vision®, with Power You Can See™! You'll never buy another bag again with the unique bagless design that includes a see-through dirt container for retrieving lost items. You'll also enjoy superior cleaning performance with 12 amps of Maximum Vacuum Power.

We are very proud of our products and hope that you are equally satisfied with their quality and performance.

Thank you for your support of Dirt Devil® products.  
Visit our website at [www.dirtdevil.com](http://www.dirtdevil.com)

## TABLE OF CONTENTS

Feature Descriptions .....	Page 4
How To Assemble .....	Page 4
How To Operate .....	Page 5
Hose Assembly and Tool Storage .....	Page 5
Floor/Carpet Cleaning .....	Page 5
Above Floor Cleaning .....	Page 5
Hands Free Edge Cleaning .....	Page 5
Carpet Settings .....	Page 6
How To Transport Cleaner .....	Page 6
Dirt Container & HEPA Removal and Replacement .....	Page 6
Belt or Brushroll Removal and Replacement .....	Page 7
Lightbulb Removal and Replacement .....	Page 7
Troubleshooting Guide .....	Page 8

## LIMITED WARRANTY

To the consumer, Royal Appliance Mfg. Co. warrants this vacuum cleaner to be free of defects in material or workmanship commencing upon the date of the original purchase. Refer to your vacuum cleaner carton for the length of warranty and save your original sales receipt to validate start of warranty period.

If the vacuum cleaner should become defective within the warranty period, we will repair or replace any defective parts free of charge. The complete machine must be delivered prepaid to any ROYAL® Authorized Sales & Warranty Service Station. Please include complete description of the problem, day of purchase, copy of original sales receipt and your name, address and telephone number. If you are not near a Warranty Station, call the factory for assistance at USA & Canada: 1-800-321-1134. Use only genuine Royal® replacement parts.

The warranty does not include unusual wear, damage resulting from accident or unreasonable use of the vacuum cleaner. This warranty does not cover belts, filters, brushes, bags, bulbs or fan damage. This warranty does not cover unauthorized repairs. This warranty gives you specific legal rights and you may also have other rights. (Other rights may vary from state to state in the USA).

**THIS CLEANER IS INTENDED FOR HOUSEHOLD USE ONLY**

## **IMPORTANT SAFETY INSTRUCTIONS**

When you use an appliance, basic precautions should be followed, including the following:

- **READ ALL INSTRUCTIONS BEFORE USING THE APPLIANCE.**
- **ALWAYS FOLLOW THESE SAFETY INSTRUCTIONS.**
- **BRING CLEANER TO UPRIGHT POSITION WHEN USING THE HOSE AND ATTACHMENTS.**
- **DO NOT LEAVE CLEANER UNATTENDED WHEN PLUGGED IN.**
- **REGULARLY CHECK THE FILTERS TO CLEAN OR REPLACE.**
- **WARNING: DO NOT USE SHARP OBJECTS TO CLEAN OUT THE HOSE SINCE THEY COULD CAUSE DAMAGE.**
- **OCCASIONALLY REMOVE BRUSH AND CLEAN DEBRIS FROM END CAPS TO KEEP BRUSH ROTATING SMOOTHLY.**
- **WARNING: THE CORDS, WIRES AND/OR CABLES SUPPLIED WITH THIS PRODUCT CONTAINS CHEMICALS, INCLUDING LEAD OR LEAD COMPOUNDS, KNOWN TO THE STATE OF CALIFORNIA TO CAUSE CANCER AND BIRTH DEFECTS OR OTHER REPRODUCTIVE HARM. WASH HANDS AFTER USING.**

**READ ALL INSTRUCTIONS BEFORE USING THE APPLIANCE.**

### **WARNING: TO REDUCE THE RISK OF FIRE, ELECTRIC SHOCK OR INJURY:**

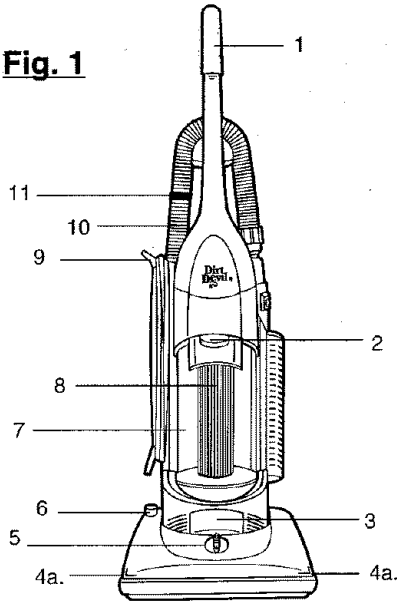
- Do not leave appliance when plugged in. Unplug from outlet when not in use and before servicing.
- Do not use outdoors or on wet surfaces. Electrical shock could occur.
- Do not allow to be used as a toy. Close attention is necessary when used by or near children.
- Use only as described in this manual. Use only manufacturer's recommended attachments.
- Do not use with damaged cord or plug. If appliance is not working as it should, has been dropped, damaged, left outdoors, or dropped into water, return it to a service center for inspection. Call 1-800-321-1134 for the nearest service center.
- Do not pull or carry by cord, use cord as handle, close a door on cord, or pull cord around sharp edges or corners. Do not run appliance over cord. Keep cord away from heated surfaces.
- Do not unplug by pulling on cord. To unplug, grasp the plug, not the cord.
- Do not handle plug or appliance with wet hands.
- Do not put any objects into openings. Do not use with any opening blocked; keep free of dust, lint, hair, and anything that may reduce air flow.
- Keep hair, loose clothing, fingers, and all parts of body away from openings and moving parts.
- Do not pick up anything that is burning or smoking, such as cigarettes, matches, or hot ashes.
- Do not use without dirt container and filters in place.
- Turn off all controls before unplugging.
- Use extra care when cleaning on stairs.
- Do not use to pick up flammable or combustible liquids, such as gasoline, or use in areas where they may be present.
- Keep the vacuum cleaner on the floor. Only the hand-held vacuum cleaners may be set on furniture.
- Cleaner must be in the upright position to lift the rotating brush off the carpet when doing above floor cleaning.
- Do not use an extension cord with this vacuum cleaner.
- Store the vacuum cleaner indoors. Put the vacuum cleaner away after use to prevent tripping accidents.
- Using improper voltage may result in damage to the motor and possible injury to the user. Proper voltage is listed on the cleaner plate.
- Unplug before connecting Turbo Tool (Turbo Tool not included on all models).

## **SAVE THESE INSTRUCTIONS**

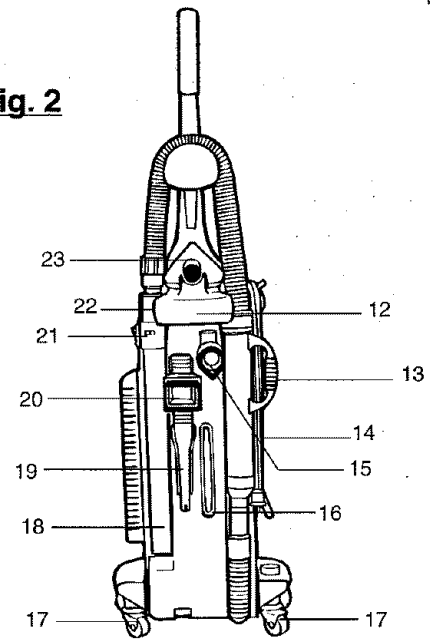
### **WARNING:**

To reduce the risk of electric shock, this appliance has a polarized plug (one blade wider than the other). This plug will fit in a polarized outlet only one way. If the plug does not fit fully in the outlet, reverse the plug. If it still does not fit, contact a qualified electrician to install the proper outlet. Do not change the plug in any way.

**Fig. 1**



**Fig. 2**



**FEATURES**

**Fig 1**

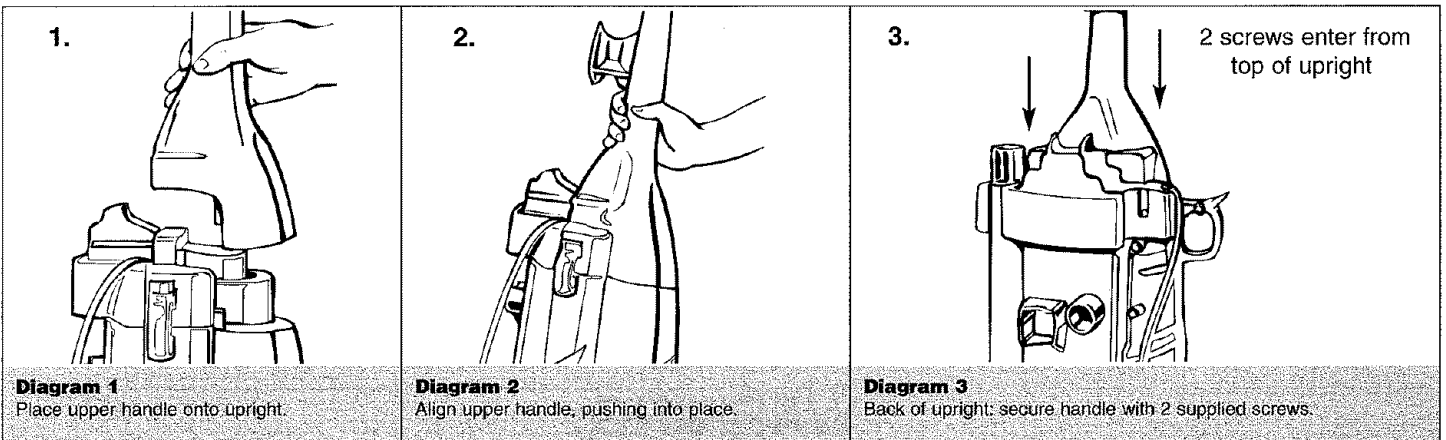
- 1. Handle
- 2. Dirt Container Release Lever
- 3. Headlight
- 4a. \*Power Edger™ slots w/Wrap Around Bumper (Optional)
- 4b.\*Scuff Guard™ Bumper (Optional)
- 5. Carpet Height Adjust Knob
- 6. Handle Release Pedal
- 7. Dirt Container
- 8. HEPA Filter (in Dirt Container)
- 9. Cord Clip
- 10. Stretch Hose
- 11. Hose Anchor

**Fig. 2**

- 12. Carrying Handle
- 13. Stretch Hose Handle
- 14. Long Power Cord
- 15. \*Power Edger (optional w/Wrap Around Bumper)
- 16. Belt Storage
- 17. Swivel Casters™
- 18. Extension Wand
- 19. Crevice Tool
- 20. 2-in-1 Tool - Dust brush/Upholstery tool
- 21. On/Off Switch - Just above HEPA Filter
- 22. Clear Hose Inlet
- 23. Edge Wedge® Tool (Corner and stair tool)

**NOTE: \*Optional tools not included with all models**

**HOW TO ASSEMBLE**

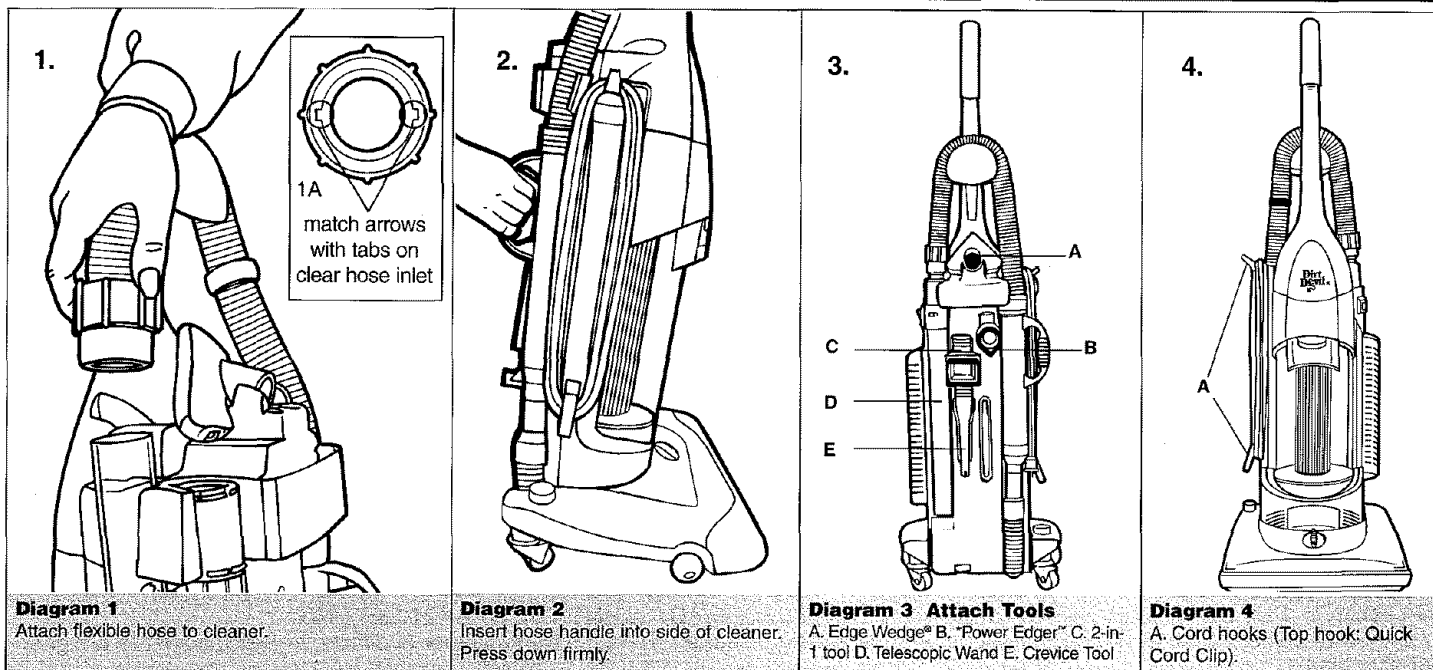


**HOW TO ASSEMBLE**

TOOL REQUIRED: PHILLIPS SCREWDRIVER

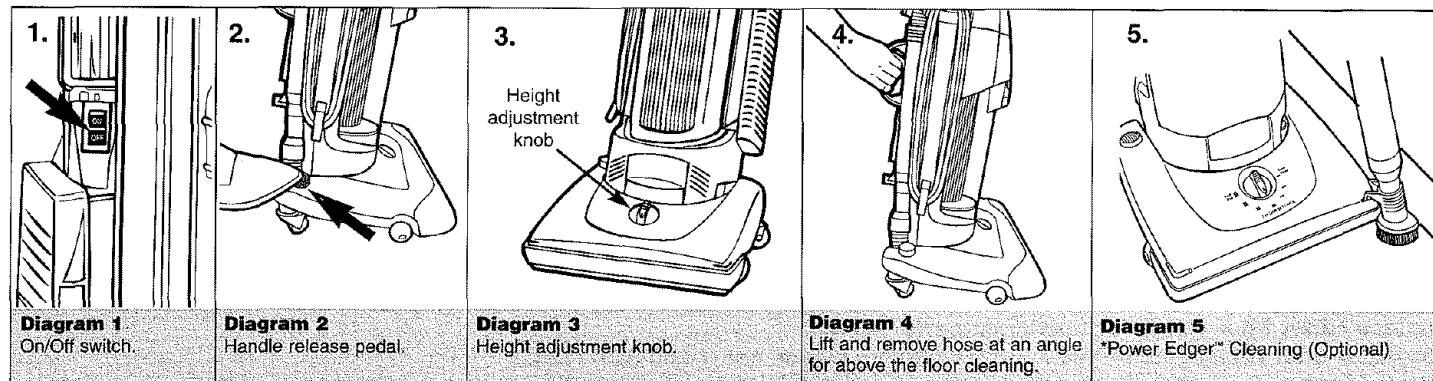
- 1. Stand unit in upright position and place upper handle onto upright (Diagram 1).
- 2. Push upper handle onto upright, aligning upper handle with handle opening (Diagram 2).
- 3. **TWO** screws (supplied) enter from top of upright to secure handle (Diagram 3).

# HOW TO OPERATE



## HOSE ASSEMBLY AND TOOL STORAGE

- ATTACH HOSE:** Attach the flexible hose to the cleaner (Diagram 1). Match the arrows on the hose to the tabs on the clear hose inlet (Diagram 1A). Push down firmly on the cuff and turn clockwise. Insert the hose handle into the side of the cleaner. Press down firmly to secure (Diagram 2).
- ATTACH TOOLS:** (Diagram 3) (A) Slide Edge Wedge® onto the base of upper handle with bristles facing in. (B) \*Push Power Edger™ (Optional) onto upper back panel with bristles facing out. (C) Slide 2-in-1 tool onto upper back panel with bristles facing out. (D) Slide the Extension wand, small end down, onto the lower back panel. (E) Slip crevice tool onto lower back panel.
- CORD STORAGE:** For tidy cord storage, wrap cord around hooks on side of cleaner with quick cord release (Diagram 4) (A).



**HOW TO OPERATE** 1. Plug cord into electrical outlet. 2. Turn cleaner "on". Switch located on left side of cleaner directly above HEPA filter (Diagram 1).

### FLOOR/CARPET CLEANING

- Handle should be in the upright position before adjusting the carpet setting (Diagram 2). Turn height adjustment knob to match the surface being cleaned (Diagram 3). Once height is selected the nozzle will go to the correct position.

**NOTE:** Rotating brush could cause area rug fringe to become tangled within cleaner. Use caution when vacuuming throw rugs with fringe.

### ABOVE FLOOR CLEANING

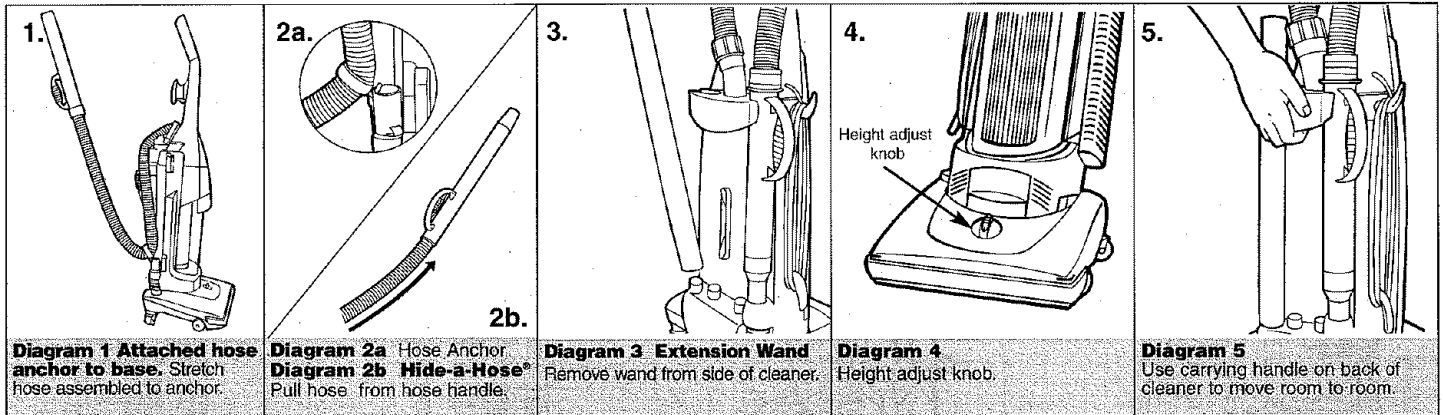
**Cleaner must be in the upright position to lift the rotating brush off the carpet when cleaning above the floor.**

- Put cleaner in its upright position.
- Remove the hose from the side of the cleaner using the handle (Diagram 4).  
**CAUTION:** Brush agitator continues to rotate while hose is removed or in use and at all times while cleaner is on. Keep hair, loose clothing, fingers, and all parts of body away from brush area while cleaner is on.
- Choose any of the handy accessories or use the hose alone. Simply push the attachment firmly onto the end of the wand or hose handle. To remove tool, twist and pull apart gently.

**\*FOR HANDS FREE EDGE CLEANING:** Remove \*Power Edger™ from upper back panel. Insert \*Power Edger™ into desired \*Power Edger™ slot. Remove hose end from side of unit and hose caddy. Slide hose end onto \*Power Edger™. Glide the upright against walls and baseboards for superior edge cleaning (Diagram 5).

**\*Not available on all models**

## HOW TO OPERATE cont.



**STRETCH HOSE AND HOSE ANCHOR:** The Hose Anchor is used to prevent the vacuum from tipping while using the above floor cleaning attachments. Remove the Stretch Hose from side of the cleaner using the handle. Lay hose over the back of cleaner (Diagram 1) and secure hose anchor ring, (Diagram 2a) located around hose to base. Pull hose from hose handle for additional length (Diagram 2b).

**EXTENSION WAND:** Remove wand from side of cleaner by pulling out at the top to unsnap and pull up (Diagram 3).

### CARPET SETTINGS

**IMPORTANT:** PUT HANDLE IN THE UPRIGHT POSITION BEFORE ADJUSTING THE CARPET SETTING.

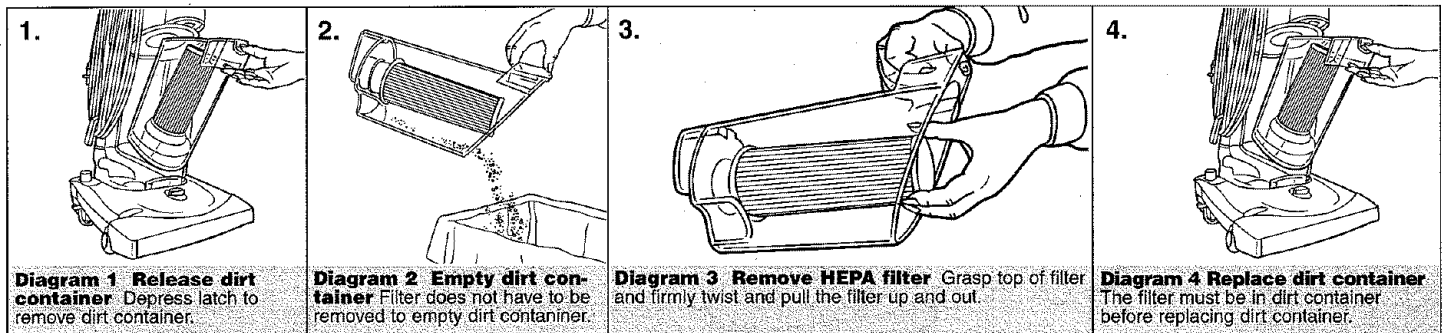
Turn knob to adjust height of nozzle to match the surface being cleaned (Diagram 4). If cleaner is difficult to push, adjust to a higher carpet setting.

### HOW TO TRANSPORT CLEANER

Use the carrying handle on the back of the cleaner to move cleaner from room to room (Diagram 5).

**NOTE:** Do not push cleaner forward while leaning on back casters. Do not pull cleaner on back casters.

## DIRT CONTAINER & HEPA FILTER: REMOVAL & REPLACEMENT



### CLEANING DIRT CONTAINER & HEPA FILTER:

Replace HEPA filter yearly for maximum performance.

For HEPA filter replacement Part # 2-JCO280-000, please call 1-800-321-1134.

**WARNING:** TO REDUCE THE RISK OF INJURY FROM MOVING PARTS - UNPLUG BEFORE SERVICING.

#### Empty & Clean DIRT CONTAINER:

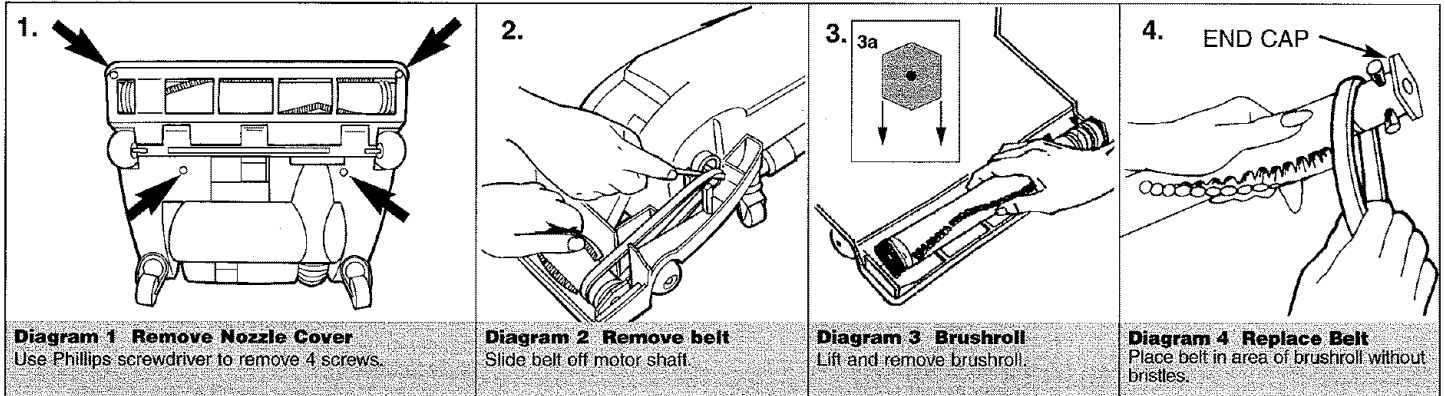
1. Depress latch to remove dirt container from cleaner (Diagram 1). Pull dirt container out to empty (Diagram 2).
2. Remove and clean filter (see instructions below).
3. Use a sponge and lukewarm water to wipe dirt container compartment clean.
4. **Replace Dirt Container:** Set aligning tab on bottom of dirt container into rectangular slot on the cleaner, and push to snap into place (Diagram 4). If dirt container does not snap into place, check to make sure the filter is secured properly.

#### CLEAN THE HEPA FILTER (internal) located in dirt container:

1. Remove dirt container. Hold dirt container, grasp at top of filter and firmly twist and pull the filter up and out (Diagram 3).
2. **Regular Maintenance\*:** Each time the dirt container is emptied, the filter should be cleaned. Tap the filter firmly against the inside of a trash can until dirt stops falling from the filter. (Filter will be discolored after use, this will not affect the filter's performance.) Do not brush the filter.
3. **Thorough Cleaning\*:** If you should notice a decrease in the vacuum's power or suction, inspect the cleaner for clogs, empty the dirt cup and remove all dust and debris from the filter. Once completely cleaned, the vacuum will immediately be ready for use.
4. **Replace the HEPA filter:** Push down on filter to snap into place and prevent dirt leakage. Return dirt cup to cleaner.

\* The cleaning instructions may vary depending on the dirt conditions. In some cases, more or less cleaning of the HEPA filter may be required.

## BELT OR BRUSH REMOVAL & REPLACEMENT



### BELT OR BRUSH REMOVAL & REPLACEMENT

**BELT STYLE: 4&5**

TOOL REQUIRED: PHILLIPS SCREWDRIVER

**WARNING:** TO REDUCE THE RISK OF INJURY FROM MOVING PARTS - UNPLUG CLEANER BEFORE CHANGING BELT OR BRUSHROLL.

**TO REMOVE BELT** Flip cleaner to expose nozzle base. Base should lay flat and face up. To remove nozzle cover, use Phillips screwdriver to remove the four screws. Arrows (Diagram 1) show location of screws. Flip cleaner back over and lift nozzle cover off. Slide belt off motor shaft (Diagram 2). Lift and remove brushroll (Diagram 3). Dispose of old belt.

#### TO REPLACE BELT

**NOTE:** When changing the belt, have height adjustment on lowest setting. This will make replacement easier.

1. Place belt on motor shaft, then slip brushroll through belt. Place belt in area of brushroll without bristles (Diagram 4).
2. With belt in place, pull and slide brushroll into nozzle (Diagram 3) making sure that the brushroll end caps are in the correct orientation (Diagram 3a inset).

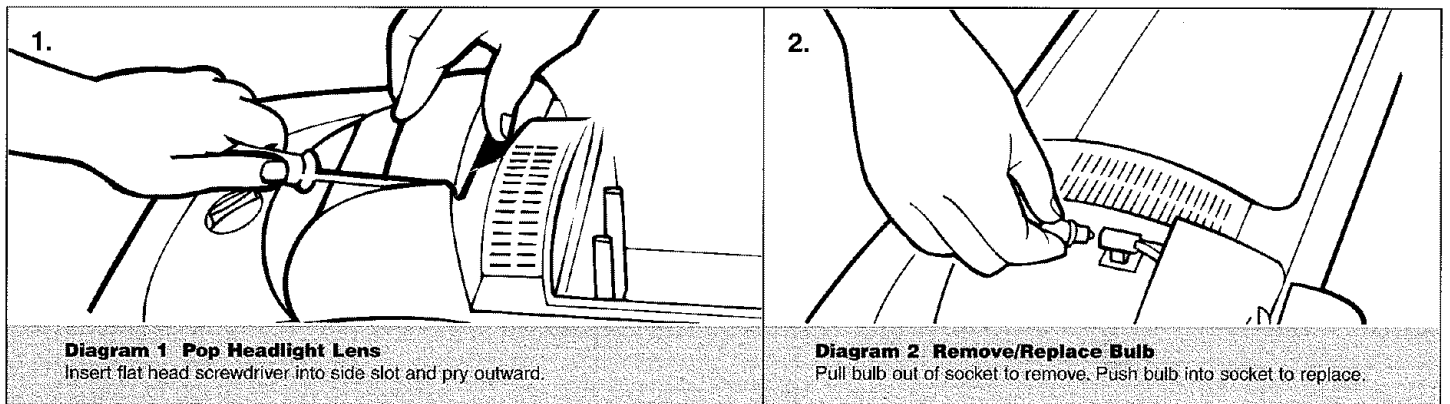
**IMPORTANT:** ROTATE BRUSHROLL MANUALLY TO MAKE SURE BELT IS NOT TWISTED.

3. Reattach nozzle cover. Secure by replacing the screws under the nozzle base.

#### BELT STORAGE

Stretch belt around hooks on back panel of upright (See page 4, Figure 2 for belt storage location).

## LIGHTBULB REMOVAL & REPLACEMENT



### LIGHTBULB REMOVAL & REPLACEMENT

TOOL REQUIRED: FLATHEAD SCREWDRIVER

**WARNING:** TO REDUCE THE RISK OF ELECTRIC SHOCK - UNPLUG CLEANER BEFORE REMOVING OR REPLACING LIGHTBULB.

This cleaner uses a common automotive lamp #906, 13.0 volts. For bulb replacement call 1-800-321-1134 or your local auto parts store.

1. Lean cleaner handle back. Insert end of standard (flat head) screwdriver into side slot and pry outward to pop headlight lens out (Diagram 1).
2. Pull bulb out of socket to remove. Push bulb into socket to replace (Diagram 2).
3. Snap headlight lens panel back into place.

# TROUBLE SHOOTING GUIDE

**WARNING: TO REDUCE RISK OF PERSONAL INJURY - UNPLUG CLEANER BEFORE SERVICING**

Problem	Possible Reasons	Possible Solutions
<b>Cleaner won't run</b>	<ol style="list-style-type: none"> <li>1. Power cord not firmly plugged into outlet.</li> <li>2. Blown fuse or tripped breaker.</li> <li>3. Needs service.</li> </ol>	<ol style="list-style-type: none"> <li>1. Plug unit in firmly.</li> <li>2. Check fuse or breaker in home. Replace fuse/reset breaker.</li> <li>3. Take to service center or call 1-800-321-1134.</li> </ol>
<b>Cleaner won't pick-up or low suction</b>	<ol style="list-style-type: none"> <li>1. Dirt container not installed correctly.</li> <li>2. Dirt container full.</li> <li>3. Clogged filter.</li> <li>4. Nozzle/dirt passage clogged.</li> <li>5. Clear hose inlet clogged.</li> <li>6. Brushroll worn.</li> <li>7. Broken or worn belt.</li> <li>8. Carpet height setting is incorrect.</li> </ol>	<ol style="list-style-type: none"> <li>1. Review dirt container Removal and Replacement-Pg. 6.</li> <li>2. Empty dirt container-Pg. 6.</li> <li>3. Remove filter and clean-Pg. 6.</li> <li>4. Remove base nozzle cover; remove obstruction OR Remove hose; remove obstruction.</li> <li>5. Remove hose and clean inlet- Pg. 5.</li> <li>6. Replace brushroll-Pg. 7.</li> <li>7. Replace belt-Pg. 7.</li> <li>8. Set carpet height adjustment to appropriate setting for carpet being cleaned-Pg. 5.</li> </ol>
<b>Dust escaping from cleaner</b>	<ol style="list-style-type: none"> <li>1. Dirt container full.</li> <li>2. Dirt container not installed correctly.</li> <li>3. Hose not installed correctly.</li> </ol>	<ol style="list-style-type: none"> <li>1. Empty dirt container-Pg. 6.</li> <li>2. Review dirt container Removal and Replacement-Pg. 6.</li> <li>3. Review Hose Installation-Pg. 5.</li> </ol>
<b>Cleaner tools won't pick up</b>	<ol style="list-style-type: none"> <li>1. Hose clogged.</li> <li>2. Hose inlet clogged.</li> <li>3. Dirt container full.</li> <li>4. Filter clogged.</li> </ol>	<ol style="list-style-type: none"> <li>1. Remove hose and tools; remove obstruction-Pg. 5.</li> <li>2. Remove hose and clean inlet-Pg. 5.</li> <li>3. Empty dirt container-Pg. 6.</li> <li>4. Clean filter-Pg. 6.</li> </ol>
<b>Headlight not working</b>	<ol style="list-style-type: none"> <li>1. Bulb burnt out.</li> <li>2. Loose electrical wires.</li> </ol>	<ol style="list-style-type: none"> <li>1. Replace bulb-Pg. 7.</li> <li>2. Call 1-800-321-1134 for nearest authorized Royal® Dealer.</li> </ol>
<b>Cleaner is difficult to push</b>	<ol style="list-style-type: none"> <li>1. Carpet height setting is incorrect.</li> </ol>	<ol style="list-style-type: none"> <li>1. Set carpet height adjustment to appropriate setting for carpet being cleaned-Pg. 5.</li> </ol>

**ANY OTHER SERVICING SHOULD BE DONE BY AN AUTHORIZED SERVICE REPRESENTATIVE  
CUSTOMER SERVICE (1-800-321-1134)**

In the event that further assistance is required, see your Yellow Pages for an authorized Royal® Dealer. Costs of any transportation to and from any place of repair are to be paid by the owner. The service parts used in this unit are easily replaced and readily available from an authorized Royal® Dealer or retailer. Always identify your cleaner by the model number and manufacturing code when requesting information or ordering replacement parts. (The model number appears on the back of the cleaner.)