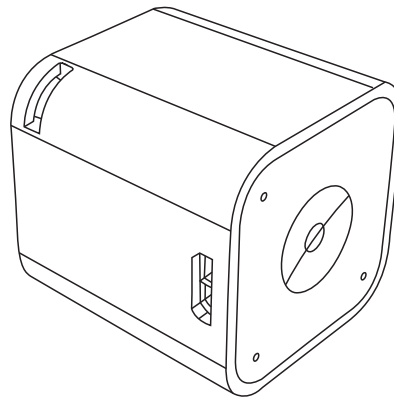


## USER MANUAL



### Product Specification

- Bluetooth: 2.1
- Working Distance: about 10 Meters
- SNR:  $\geq 80\text{DB}$
- Battery: 180mah 3.7V
- Speaker unit: Dia 23mm
- Power: 40hm 3W
- Frequency response: 180Hz-20Khz
- Charging: 5V/1A

### Product Feature

A	Smallest size of bluetooth speaker
B	Bluetooth distance is 10 Meters
C	Built-in Mic with hands free functionality

### Bluetooth Connection

Turn the speaker on by pressing the power button for several seconds. The blue LED flashes quickly and makes a sound indicating that the speaker is now in Bluetooth pairing mode.

### Connecting to Mobile Phones/Tablets/Computers

- Activate your phone's Bluetooth.
- Go to your phone's Bluetooth settings and scan for new Bluetooth devices.
- When your device locates BT11, click the device name and pair with it.
- If you are prompted for a pairing code, enter "0000".
- After successful pairing, your speaker makes a sound and the LED illuminates blue.



**NOTE:** Pairing time is varied with different mobile phones. You only need to pair each device once. The speaker can remember up to the last 8 devices paired with it.

## Bluetooth Connection

- When receiving incoming calls, the speaker provides instruction for receiving the call. Speak directly into the speaker during the phone call.

## Charging

- Connect the micro USB charging cable to a computer or USB charger. The red LED indicates that the speaker is charging. The red LED turns off when fully charged.

## Troubleshooting

### 1 My mobile phone can't find any new Bluetooth devices

- Make sure the Bluetooth speaker has entered pairing mode.
- Ensure the speaker is within the effective working range.

### 2 Bluetooth devices can't pair up

- Make sure your mobile phone allows new connections and did not reach the maximum allowed connections. Refer to your phone's user manual for more information.

- Make sure the pairing password entered is "0000". If you are using a Bluetooth transmitter device, please ensure the responding password of your Bluetooth transmitter supports "0000" code.

### 3 My mini speaker does not play music / answer call when connected to a Bluetooth mobile phone

- Make sure your Bluetooth mobile phone supports A2DP and HSF (hands-free) profile.
- Ensure your Bluetooth cell phone is within effective working range.

## Safety Notices

Read the following safety information before using the Bluetooth speaker.



**WARNING:** Keep the speaker dry and do not take it to damp places to avoid the product's internal circuit being affected.



**CAUTION:** Do not drop the speaker on the floor or other hard surfaces. The internal circuit might get damaged.



**CAUTION:** Do not expose the product to extremely cold temperatures. It may damage the internal circuit board.



**CAUTION:** Do not use harsh chemical products or detergent to clean the product.



**CAUTION:** Do not attempt to disassemble this product.



**CAUTION:** Do not scratch the surface with sharp tips.



**WARNING:** Keep the product away from direct sunlight or hot places. High temperatures will shorten the life of electronic devices, destroy the battery or distort certain plastic parts.

60.00mm

85.00mm

This device complies with Part 15 of the FCC Rules. Operation is subject to the following two conditions: (1) this device may not cause harmful interference, and (2) this device must accept any interference received, including interference that may cause undesired operation.

- "Warning: Changes or modifications to this unit not expressly approved by the party responsible for compliance could void the user's authority to operate the equipment."

- "NOTE: This equipment has been tested and found to comply with the limits for a Class B digital device, pursuant to Part 15 of the FCC Rules. These limits are designed to provide reasonable protection against harmful interference in a residential installation. This equipment generates, uses and can radiate radio frequency energy and, if not installed and used in accordance with the instructions, may cause harmful interference to radio communications.

However, there is no guarantee that interference will not occur in a particular installation. If this equipment does cause harmful interference to radio or television reception, which can be determined by turning the equipment off and on, the user is encouraged to try to correct the interference by one or more of the following measures:

- Reorient or relocate the receiving antenna.
- Increase the separation between the equipment and receiver.
- Connect the equipment into an outlet on a circuit different from that to which the receiver is connected.

Consult the dealer or an experienced radio/TV technician for help."



Made in china