

FCC INFORMATION

This equipment has been tested and found to comply with the limits for a Class B digital device, pursuant to Part 15 of the FCC Rules. These limits are designed to provide reasonable protection against harmful interference in a residential installation. This equipment generates, uses and can radiate radio frequency energy and, if not installed and used in accordance with the instructions, may cause harmful interference to radio communications. However, there is no guarantee that interference will not occur in a particular installation. If this equipment does cause harmful interference to radio or television reception, which can be determined by turning the equipment off and on, the user is encouraged to try to correct the interference by one or more of the following measures :

- Reorient or relocate the receiving antenna.
- Increase the separation between the equipment and receiver.
- Connect the equipment into an outlet on a circuit different from that to which the receiver is connected.
- Consult the dealer or an experienced radio/TV technician for help.

FCC WARNING:

This equipment may generate or use radio frequency energy. Changes or modifications to this equipment may cause harmful interference unless the modifications are expressly approved in the instruction manual. Modifications not authorized by the manufacturer may void users authority to operate this device.

This device complies with part 15 of the FCC rules. Operation is subject to the following two conditions.

- (1) this device may not cause harmful interference,
- (2) this device must accept any interference received, including interference that may cause undesired operation

POWER SOURCE

The unit has a built-in Li-polymer rechargeable battery, recharge it before use as below:


- 1.Connect the small plug from the supplied USB connection cable to the Micro USB Port on the end of the rod.
- 2.Connect the other end to any Personal Computer or USB Changer having DC 5V output.
- 3.During charging, the Red Charging Indicator on the end of the rod will light. When finished charging, it will turn off.

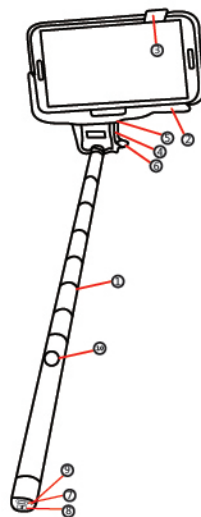
Notes:

Your battery will last longer if you following these simple guidelines for charging and storing it.

- A.For charging first time, charge it approximate 10 hours.
- B.Recharge and store the device within the temperature range to 5°C~35°C (40°F~95°F).
- C.Don not overcharges (longer than 24 hours). Excessive charging or running the unit until battery goes empty will damage battery. Battery life will be extended if you keep the battery fully charge.
- D.Battery life naturally shortens slowly over time.
- E.The rechargeable battery incorporated in this product is not user replaceable.

Location of Controls:

- 1.Telescopic Rod
- 2.Cell Phone Holder
- 3.Plastic Adaptor for Cell Phone Holder
- 4.Mounting Screw
- 5.Mounting Nut
- 6.Holding Knob
- 7.Micro USB Port (For charging only)
- 8.Power ON—OFF Switch
- 9.Indicators
- 10.PRESS Button 



OPERATION

BT (Blue Tooth) Pairing:

Pairing the unit to the desired BT cell phone (with camera) as below:

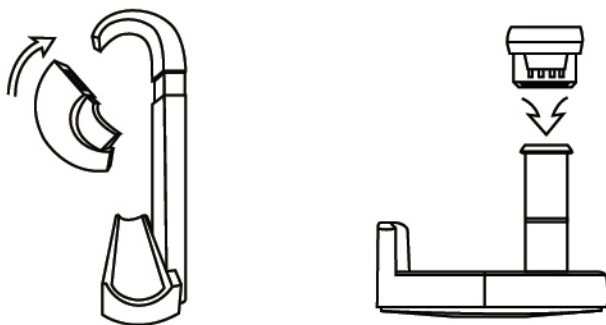
- 1.Power on the unit by slide the Power ON – OFF Switch to ON position. The Blue Indicator on the end of the rod will light and blinking.
- 2.Power on the BT cell phone and enter to BT searching mode.
- 3.Start pairing as the on screen instructions on the BT cell phone. After paired, the Blue Indicator will stop blinking. (For details pairing procedures, please refer to the user's manual of your BT cell phone).

Notes:

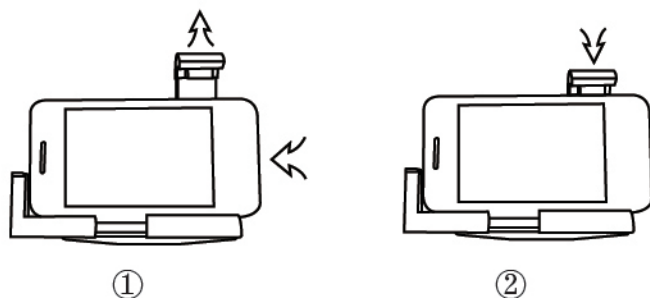
- 1.When the external BT cell phone searched the unit, our model number "CMA3319" will appears on the display of external BT cell phone.
- 2.Pairing code "1234" or "0000" may need to enter.

Installations:

- 1.Install the Plastic Adaptor to the Holder as the figure:

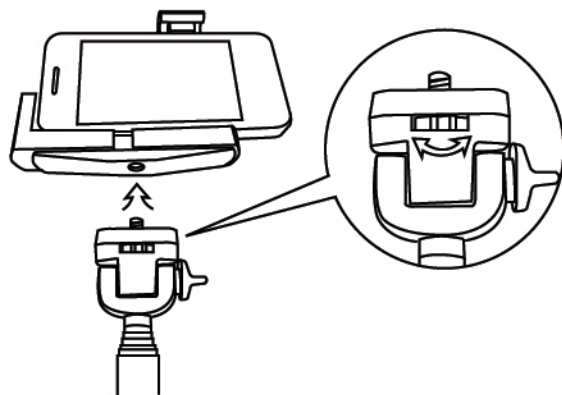


- 2.Install the Cell Phone to the Holder as the figure below:

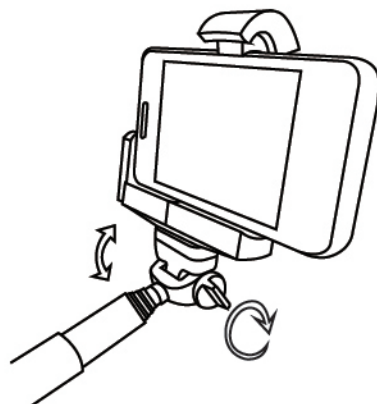


OPERATION

3. Install the Holder to the Telescopic Rod then tighten the mounting screw as the figure below:

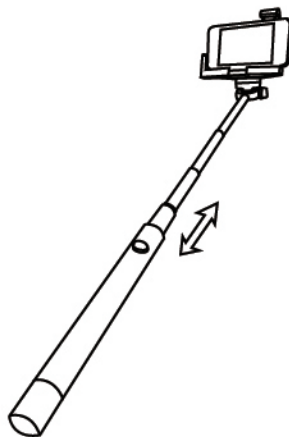


4. Angle adjusts: turn the Holding Knob counterclockwise to lose it. Turn the cell phone to the desired angle then turn the Holding Knob clockwise to lock it as the figure below:




OPERATION

5. Adjust the length of the Telescopic Rod by pull it in or out as the figure below:



To take Photo/Video:

1. Power on the BT cell phone and enter to BT mode.
2. Power on the unit by slide the Power ON -- OFF Switch to ON position. The Blue Indicator on the end of rod will light, wait until the Blue Indicator stop blinking. (It needs take a few seconds).
3. Set the BT cell phone to picture/video capture mode.
4. Adjust the Rod angle and length as desire then face the camera to you (or the object) you wants to take.
5. Press the PRESS Button  on the rod to capture the photo (In video taking mode, press to start to take video. Press again to stop).
6. When finished, slide the Power ON – OFF Switch to OFF position to power off the unit.



GENERAL SPECIFICATION

Power Source: Built in Li-polymer rechargeable battery; recharge by DC === 5V
through Micro USB Port

Length of Telescopic Rod: 9 – 39 inches

Maximum Load: 18 Oz

Compatible BT Cell Phone:

Android 3.0 and newer vesion

IOS 4.0 and newer vesion

Accessories:

1 x User's Manual

1 x USB Connection Cable (For charging only)

1 x Cell Phone Holder

1 x Plastic Adaptor (for Cell Phone Holder)

**SPECIFICATIONS AND ACCESOORIES ARE SUBJECT TO CHANGE WITHOUT
NOTICE**