

Mobile Phone
Doppio SL505
User Guide

Contents

1. For your safety.....	1
2. Learn about the phone.....	2
● Overview	2
● Function Keys.....	2
3. Before using	2
● Insert / eject Nano SIM cards and SD card	2
● Charge the Battery	4
4. Getting started	4
● Basic Function.....	5
● Home screen	5
● Touch screen	7
5. Communication	8
● Make a call	8
● Ongoing call.....	8
● Incoming call.....	8
● Send a Message.....	9
6. Multimedia.....	9
● Camera	9
● Gallery	11
● Music	11
7. Connection.....	12
● Airplane mode.....	12
● WLAN.....	12
● Bluetooth.....	13
● USB.....	13
8. Features	14
● Lambency Selfie	14
● Beautified Video	14
● Fingerprint Security	14
● Selfies Album.....	14
● Split Screen.....	15
● Data Clone.....	15
● Virus Detection	15
● Power Manager	16
● Smart Eye Protection	16
● Fingerprint Shutter	16
● Child Mode.....	16
9. Operation	17
● Smart gestures	17
● Suspend option	19
10. Warnings and notes	20
11. FAQ	错误！未定义书签。

1. For your safety

Please read this manual before using the cell phone to ensure your safety and proper use.



SWITCH OFF IN HOSPITALS

Please abide by relevant provisions or regulations. Please turn off your mobile phone near medical equipment.



SWITCH OFF WHEN REFUELING

Don't use the phone at a refueling point. Don't use near fuel or chemicals.



SIM CARDS AND SD CARD ARE PORTABLE

Keep your phone, phone parts and accessories out of children's reach.



BATTERY

Please do not destroy or damage the battery, it can be dangerous and cause fire. Please do not throw battery in fire to avoid hazard. When battery cannot be used, please dispose in safe environment. Do not try to dismantle the battery. If the battery or authorized charger is broken or old, please stop using them, and replace with certified genuine battery.

For first time using, please discharge completely and charge the battery in 100% full and continue charging one more hour with authorized charger.



USE QUALITY EQUIPMENT

Use authorized equipment to avoid danger.



ROAD SAFETY COMES FIRST

Give full attention while driving, Park before using your phone. Please follow traffic rules of local city town.



INTERFERENCE

All wireless devices may be susceptible to cause interference, which could affect performance.

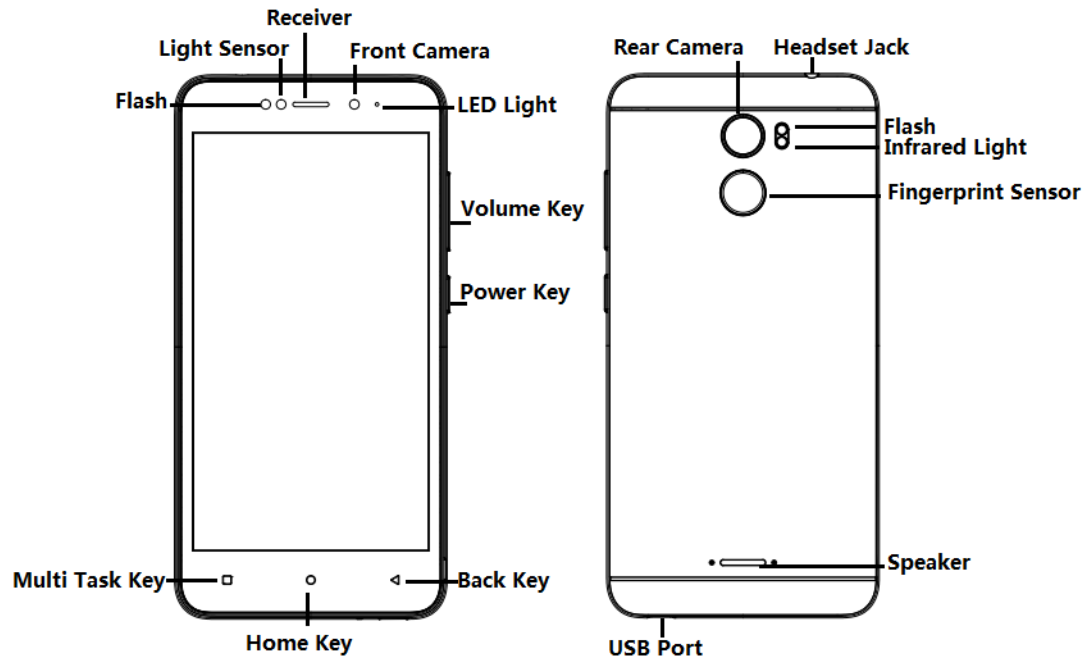


SWITCH OFF IN AIRCRAFT

Wireless devices can cause interference in aircraft. It's not only dangerous but also illegal to use mobile phone in an aircraft.

2. Learn about the phone

Overview



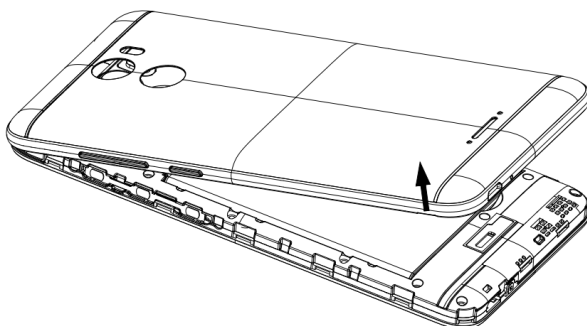
Function Keys

Keys	Functions
Power Key	<ul style="list-style-type: none"> Press to turn on/off the screen. Press and hold to power off the phone, reboot, and turn on airplane mode or silent.
Volume Key	<ul style="list-style-type: none"> Press to adjust the volume of device.
Multi Task Key	<ul style="list-style-type: none"> Tap to open the list of recently used apps. Click the circle button to clean all of recently used apps.
Home Key	<ul style="list-style-type: none"> Tap to return to Home screen. Long press to access Google™ search.
Back Key	<ul style="list-style-type: none"> Tap to return to the previous screen.

3. Before using

Insert / eject Nano SIM cards and SD card

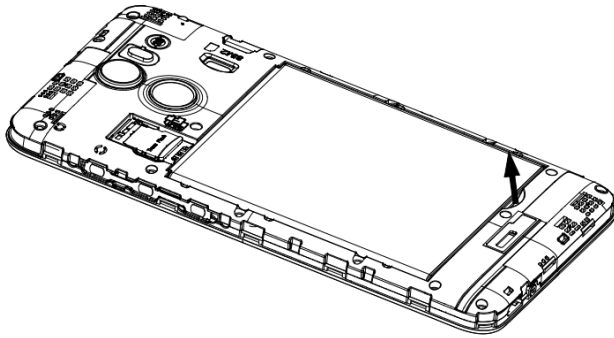
- 1) Switch off the mobile phone. Then remove the cover as shown in the figure.



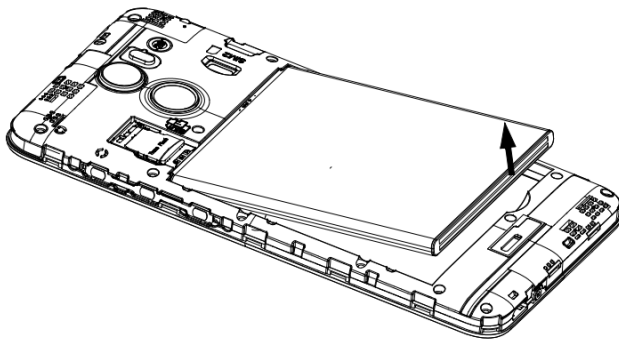
✓ **Note:** Please start from the bottom left while removing the cover, and flip it up at the bottom.

2) Remove the battery.

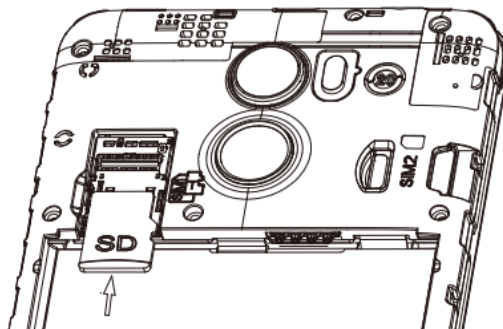
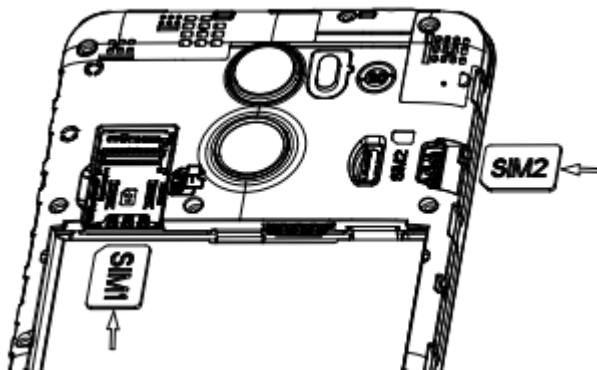
①



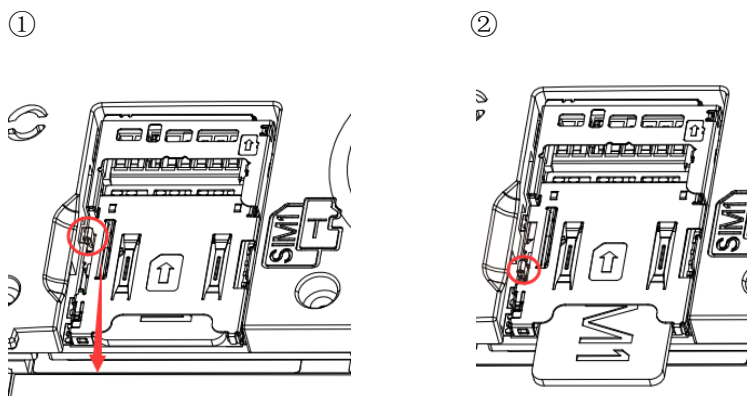
②



3) Insert the Nano SIM cards and SD card to the card slots correctly.

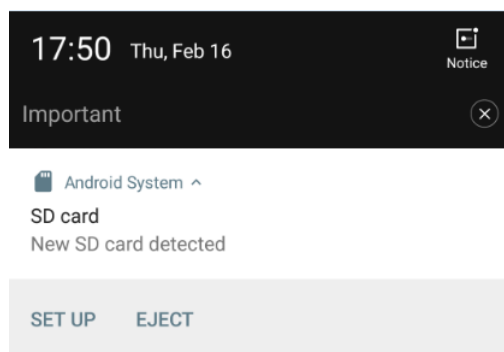


4) Pull the SIM Slider down on left side for eject SIM 1.



✓ **Note:** SD card can be used as internal storage.

Option 1: Notification Center --> Tap the notice to set up --> Use as internal storage --> Next --> Erase & Format



Option 2: Settings --> More settings-->Storage & USB --> Format as internal storage--> Erase & Format

5) Put back the battery and cover.

✓ **Note:**

- SIM cards do not support to hot plugging but SD card support it.
- Do not remove the cards while the device is transferring data. Doing so may cause data to be lost or damage to the cards and device.
- The SIM cards and SD card are small parts. Please keep away from Children to avoid swallowing the card by accident.
- Please do not touch the metal surface of SIM and SD cards and keep them away from electromagnetic field to avoid damaged data.

Charge the Battery

Charge the battery before using it. Connect the USB cable to the USB power adaptor, and then plug the end of the USB cable into the USB Port.

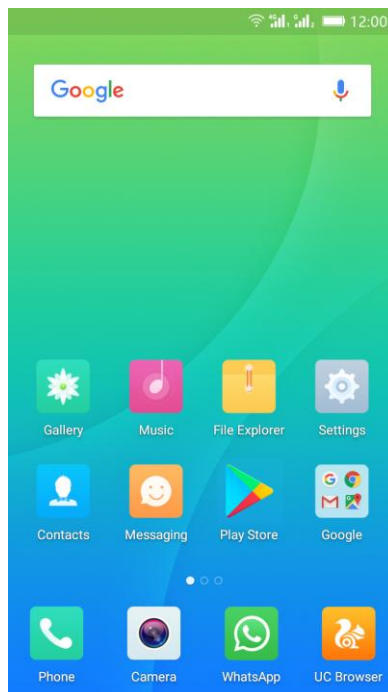
4. Getting started

🌈 **Basic Function**

- Turn on the phone
Press and hold the power key for a while to turn on the phone.
- Turn off the phone
Long press the power key until a menu shows. Choose “Power off” to turn off the phone.
- Restart the phone
Option 1: Long press the power key until a menu shows. Choose “Reboot” to restart the phone.
Option 2: Long press the power key till 11 seconds to auto restart the phone.
- Lock the screen
Option 1: Press the power key to turn off the screen and lock it
Option 2: In the Home screen, double tap the screen to lock it.
Option 3: The screen will auto lock if you don't use the phone for a while.
- Unlock the screen
Press the power key, and then slide to top for unlocking.

🌈 **Home screen**

The Home screen is your starting point to access all the features on your phone. It displays application icons, widgets, and other features. You can customize the Home screen with different wallpaper and display the items you want.



- Status Bar
At the top of the screen, it displays the time, signal, battery information, and icons for notifications that you've received.
- Notification Center

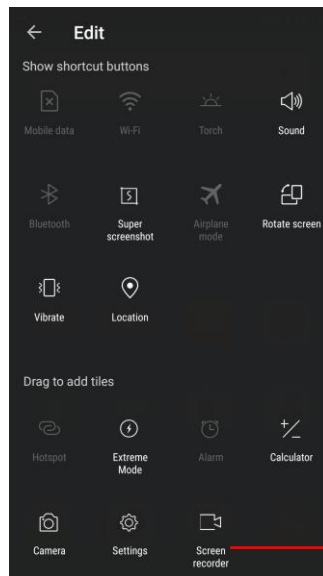
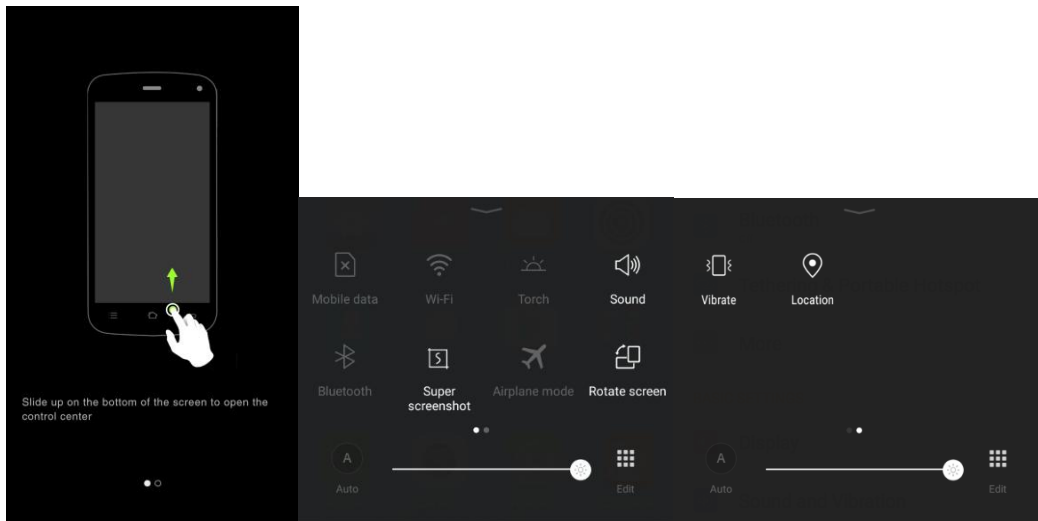
Swipe down from the top edge to see more details of the new notification, such as messaging, missed call, Wi-Fi network available etc. Tap the notification and drag to left or right to delete it.

Settings --> Notification and Control center --> Notification Center to manage it.

- Control Center

Slide up on the bottom of the screen to open the control center.

In the control center, it's a quick access to Mobile data, Wi-Fi, Torch, Sound, Bluetooth, Super screenshots, Airplane mode, Rotate screen, Vibrate and Location. Tap "Edit", and then drag to adjust the icons in control center.

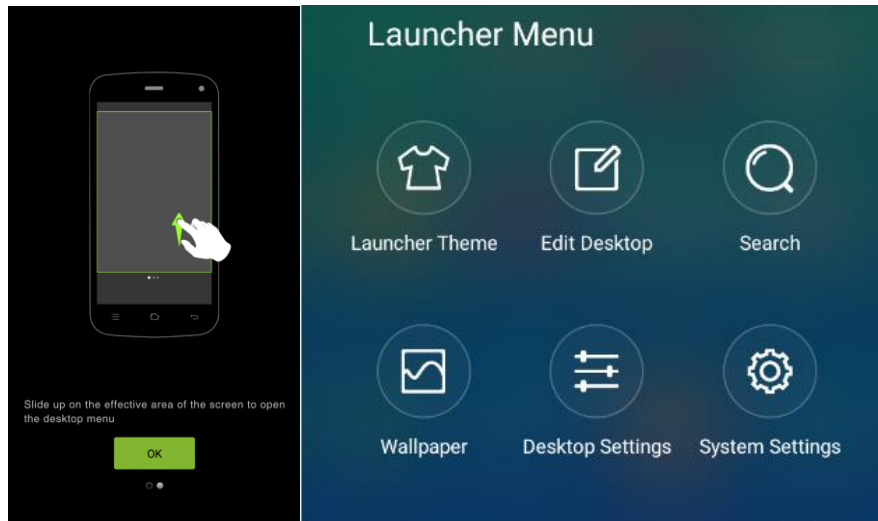


Screen Recorder:

Tap to record your operating process, and the videos can be save and share to others.

- Launcher Menu

Slide up on the effective area of the screen to open the launcher menu. You can change the Launcher Theme & Wallpaper, Edit Desktop. It's a quick access to Desktop Settings, System Settings and Search.



- Move an application
Touch & hold the icon you want to move. Drag the icon to move or cross at the edge of the screen to move into another screen.
- Uninstall an application
Touch & hold the icon you want to uninstall. On the top of the icon will appear “x”. Tap it to uninstall.
- Creating a folder
Drag an icon on the top of another one to create a folder. Open the folder and then tap the “Folder” to rename it.

Touch screen

The way to control mobile phone is using your finger on touch icons, buttons, menu items, the onscreen keyboard, and other items on the touch screen.

- Touch: To act on items on the screen, such as application and settings icons, to type letters and symbols using the onscreen keyboard, or to press onscreen buttons, you simply touch them with your finger.
- Touch & hold: Touch & hold an item on the screen by touching it and not lifting your finger until an action occurs.
- Drag: Touch & hold an item for a moment and then, without lifting your finger, move your finger on the screen until you reach the target position. You can drag items on the Home screen to reposition them and you can drag to open the Notification Center.
- Swipe or slide: To swipe or slide, quickly move your finger across the surface of the screen, without pausing when you first touch (so you don't drag an item instead). For example, you slide the screen up or down to scroll a list, and in the same way Calendar views you can swipe quickly across the screen to change the range of time visible.
- Pinch: In some applications (Such as Maps and Gallery) you can zoom in and out by

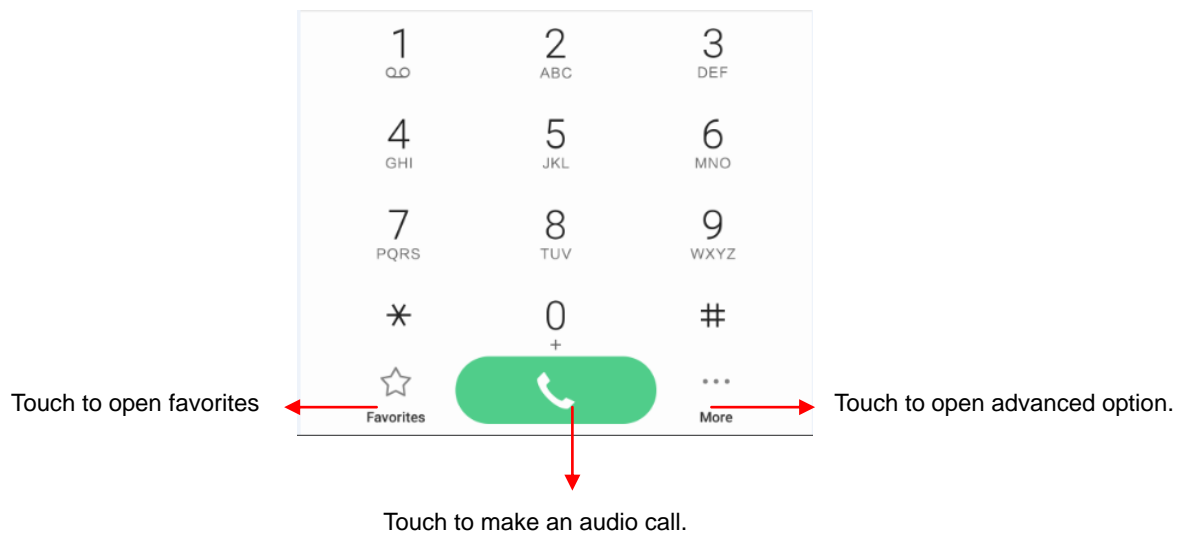
placing finger and thumb on the screen at same time and pinching them out together (to zoom out) or spreading them apart (to zoom in).

- Rotate the screen: On most screens, the orientation of the screen rotates with the phone as you turn it from upright to its side and back again. You can turn this feature on and off.

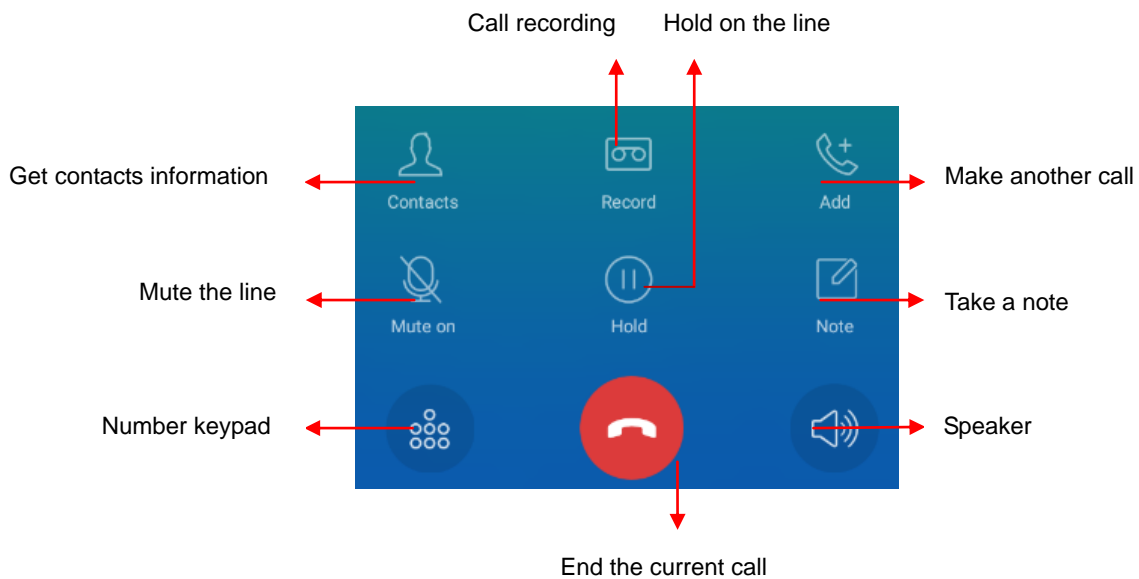
5. Communication

✚ Make a call

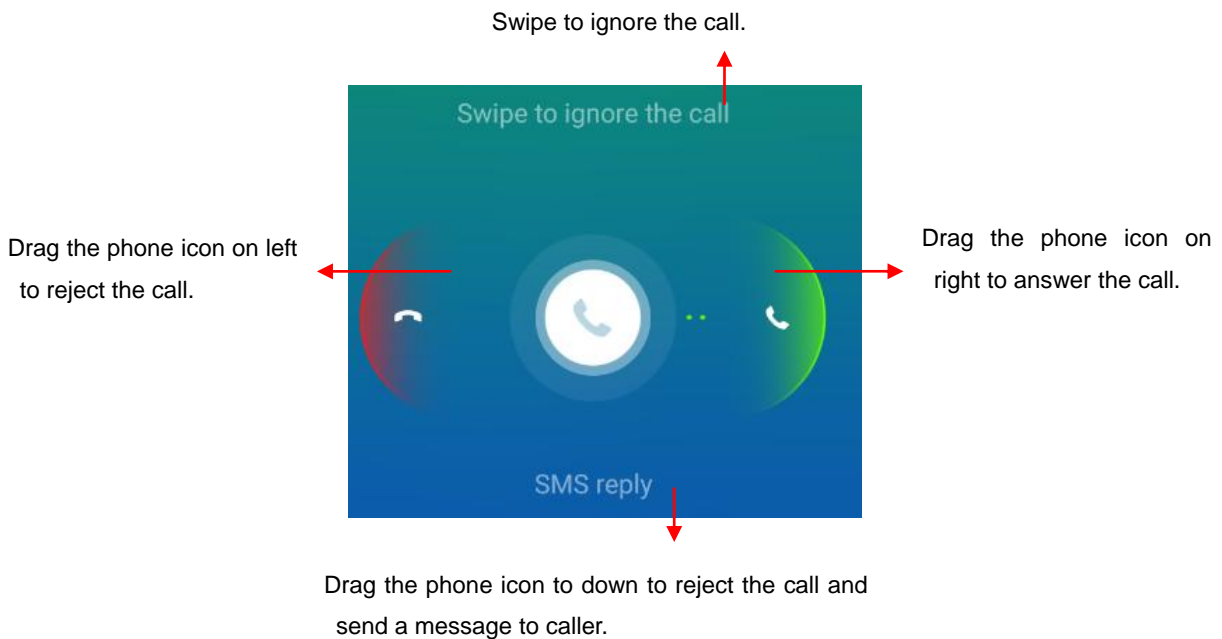
- Touch the phone icon on the Home screen.
- Enter the phone number you want to dial.
- Touch the phone icon to dial the number that you entered.



✚ Ongoing call




✚ Incoming call



✓ **Note:**

You can make an emergency call without SIM card if the locations are available for the network service. But you should not rely on it for emergencies. It's also depends on the local mobile network operator. For more information, please contact with operator.

 **Send a Message**

You can use this phone to exchange text messages and multimedia messages with your friends on their mobile phones. The messages come to and from the same contact or phone number will be visible into a single conversation, so you can see your entire message history with a person conveniently.

Enter text

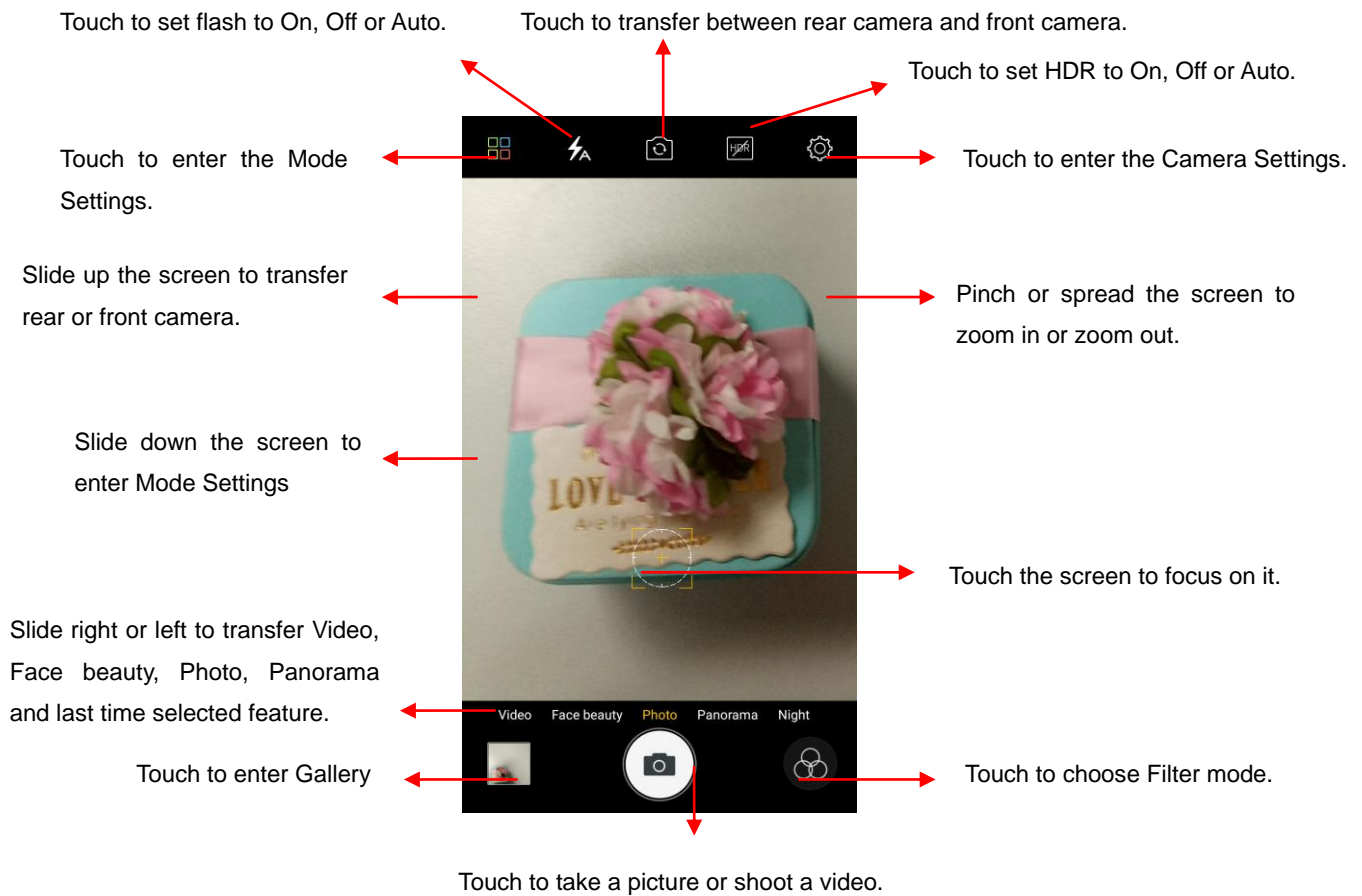
- Tap the text field to see onscreen keyboard.
- Tap the keys on the keyboard to type; the characters you've entered appear in a strip above the keyboard. With suggestions for the word you are typing to the right.
- Use the Delete key to erase characters to the left of the cursor.
- When you're finished typing, press back to close the keyboard.

6. Multimedia

 **Camera**

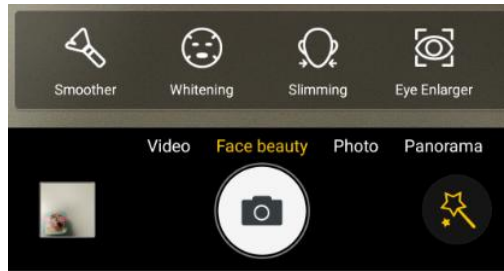
Camera is a combination of camera and camcorder that you use to shoot and share pictures and videos. Tap the image on the camera screen where should focus on. You can also change camera setting like transfer front and rear camera, adjust the exposure on this screen.

Take a photo



- **Night Mode** - Through nightscape noise reduction, we see the thing as it actually is.
- **Professional Mode** – It includes Focus, Shutter Speed, WB, ISO, AE.
- **Time-lapse Mode** – Time lapse photography is the rapid play of the video, from a long period of time condensed to a very short period of time.
- **Slow motion Mode** - Using slow motion function make a short video, playing with a slow speed.
- **Smart scene Mode** - Change camera mode to: Night, HDR, fog/flare or auto based on the view.
- **Text recognition Mode** – The text of the photograph can be edited.
- **GIF Mode** – Shooting multiple images to form a simple animation.
- **PicNote Mode** - Intelligent crop and optimize the text photo after shooting.
- **Smart scan Mode** - Align QR/Bar code within frame to scan.
- **Mood photo Mode** - Easy to shoot a good photo like Polaroid. You can select a filter and write down your mood.
- **Card scanner Mode** – Select a recognition language to scan the name card and then save the information to the phone.
- **Translation Mode** – Press the button and choose the scope to translate.
- **Panorama Mode** - Press camera button and slowly move the phone in one direction.
- **Face beauty Mode** – Beautify your photo and realize full skin beauty not just beautifying the face, so that presents more natural selfie. You can also select

Smoother, Whitening, Slimming, and Eye Enlarger. Drag the slider to adjust it.



Shoot a Video

- In camera mode, slide the screen to right for video capturing.
- Adjust the quality and other settings if you wish or leave them on automatic mode.
- Point the lens to frame the scene where you want to start.
- Touch the Video icon. Camera starts shooting the video.
- Touch Stop video icon to stop shooting. An image from your most recent video is displayed as a thumbnail at the bottom left.

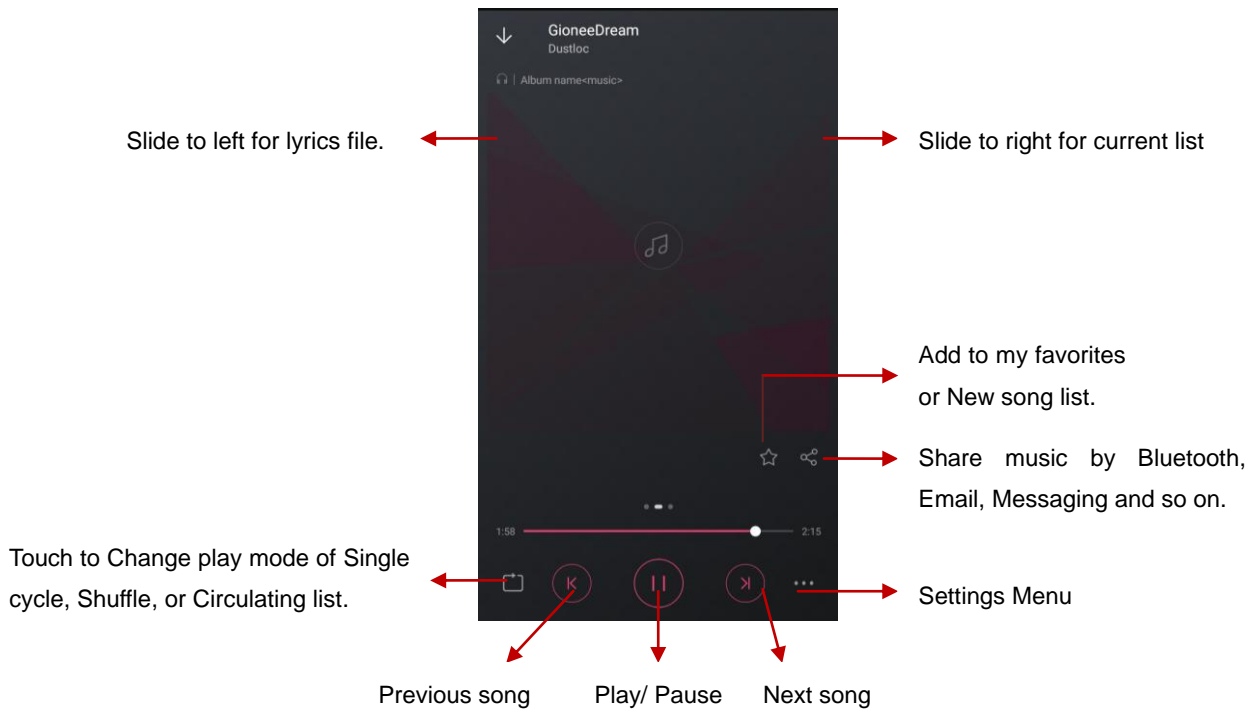
Gallery

Touch the Gallery icon in the Launcher to view albums of your pictures and videos which you've taken from camera. You may share the pictures and videos with your friends by Messaging, Email, Bluetooth and so on.

- Hidden management: You can hide any folder in Hidden Management. You can select multiple folders by long pressing on each folder icon, and clicking on "Hide". After hiding, the picture will not be displayed in the Time, Album and All. You can go to Gallery settings --> hidden management to view or manage the hidden folder.
- Trash: Deleted pictures will be moved to trash, which will be deleted permanently on the seventh day. You can delete or recover these pictures manually in trash.

Music

You can use Music player to organize, listen to music and other audio files that you transfer to your phone from your computer.



7. Connection

Your phone can connect to a variety of networks and devices, including mobile networks for voice and data transmission, WLAN data networks, and Bluetooth devices, such as headsets. You can also connect your phone to a computer, to transfer files from your phone storage, and share your phone's mobile data connection via USB or as a portable WLAN hotspot.

Airplane mode

Option1: **Settings-->More-->Airplane mode** to turn it on

Option2: Swipe up from the bottom edge to open control center--> tap Airplane mode

Some locations like Airplane may require you to turn off your phone's Cellular network, WLAN, and Bluetooth wireless connections. You can turn off all these wireless connections at once by placing your phone on Airplane mode.

WLAN

WLAN is a wireless networking technology that can provide internet access at distance of up to 100 meters, depending on the WLAN router and your surroundings. You can configure the WLAN as follow:

- **Settings-->WLAN**, check **WLAN** to turn it on.
- Enter **WLAN**. The phone scans for available WLAN networks and displays the names of those it finds. Secured networks are indicated with a Lock icon. The phone will auto login to the network if you have previously connected.
- Touch a network to connect to it.

If the network is open, you are prompted to confirm that you want to connect to that network by touching connect. If the network is secured, you're prompted to enter a

password or other credentials.

Bluetooth

Bluetooth is a short-range wireless communications technology that devices can use to exchange information over a distance of about 10 meters. The most common Bluetooth devices are headphones for making calls or listening to music, hands-free kits for cars, and other portable device, including laptops and cell phones.

To send a file

- **Settings--> Bluetooth**, check **Bluetooth** to turn it on.
- Enter **File Explorer** to select a file, Select **More--> Share--> Bluetooth**.
- Touch **Scan for devices**, the phone will scan for and display the names of all available Bluetooth devices in range.
- Touch the names of the other device in the list to pair them. After pairing the file will be sent.

To receive a file

Settings--> Bluetooth, check **Bluetooth** to turn it on. Ensure your Bluetooth has been connected within visibility time.

You can receive files from the devices which are paired with yours. The file you received will be saved to the "**Bluetooth**" folder in the File Explorer.

To connect to a Handsfree device

- Turn on the Handsfree device, make it in a searchable state;
- **Settings-->Bluetooth**, Select "**Search for devices**";
- After searching for the Handsfree device, Select it in the list to pair.
- After pairing, you can use the Handsfree device to listen to music, video and receive call.

USB

You can connect the phone to your computer with a USB cable to transfer music, pictures, and other files.

Turn on USB connection

1. Connect the phone to your computer with a USB cable.
2. In notification center, tap **USB charging this device** to open USB connection.
3. Choose the USB options.

Charge only, connected as a USB for charging.

Copy files, Transfer music, videos, documents and other documents (MTP).

View photos, Browse photos in DCIM and Pictures file folder (PTP).

USB debugging, Debug mode when USB is connected.

✓ **Note:**

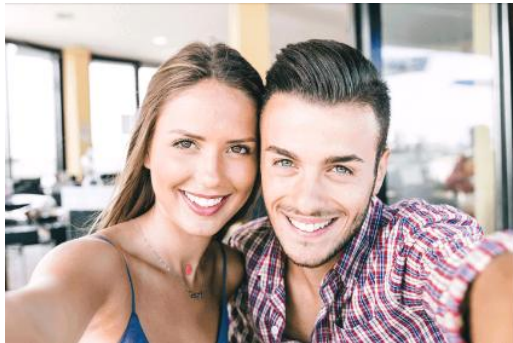
Do not disconnect the USB cable from the phone when you are transferring files.

Doing so may cause data loss or phone damage.

8. Features

🚦 Lambency Selfie

8MP front camera with a soft LED flash, under the low light environment can easily take a clear and bright self-portrait.

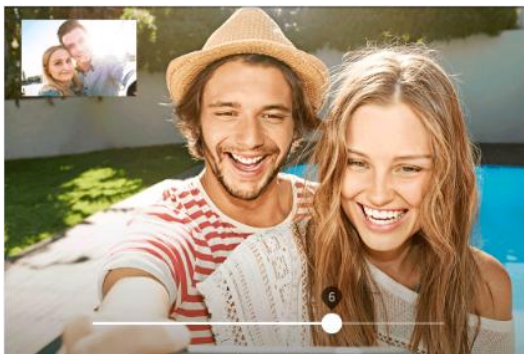


How to use

- 1) Turn on the camera
- 2) Select the front camera mode
- 3) Set the flash to On or Auto
- 4) Take pictures

🚦 Beautified Video

Video automatically detect the face and support 7-level beauty adjustment, WhatsApp and other video calls can automatically open beautified video.



How to use

- 1) Turn the camera on
- 2) Select the video mode
- 3) Click the beauty icon to adjust the beauty level

🚦 Fingerprint Security

Support fingerprint unlock.



How to use

- 1) Phone settings --> Security --> Fingerprint
- 2) Set the phone security password
- 3) Place your finger on Fingerprint sensor for fingerprint entry

🚦 Selfies Album

A new album 'Selfies' is added in the Gallery. Photos shot by front camera stocks in the 'Selfies' folder automatically.

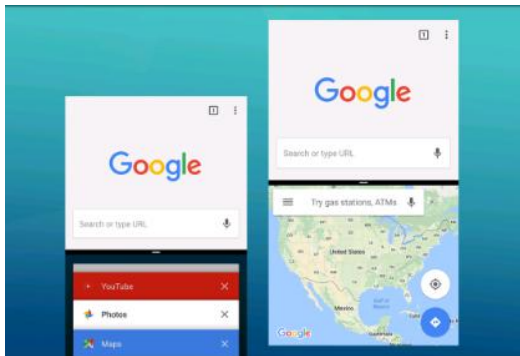


How to use

- 1) Take a selfie
- 2) You can always locate your selfies in a special folder 'Selfies' in the gallery

Split Screen

You can run two different applications on the same screen.

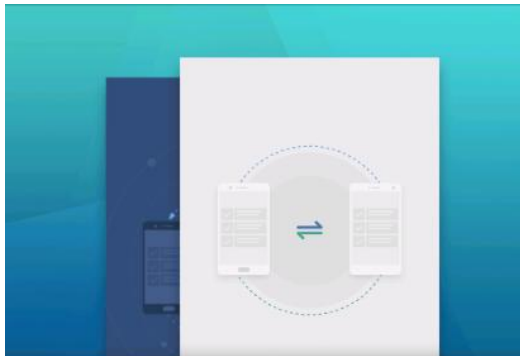


How to use

- 1) Click the multi task key and long press application to drag to the top of screen
- 2) Click to select another application that needs split screen
- 3) Or long press the multi-task key on the split table application page

Data Clone

You can transfer contacts, text messages, pictures, music, videos and apps data from your old phone to your new phone without data traffic.

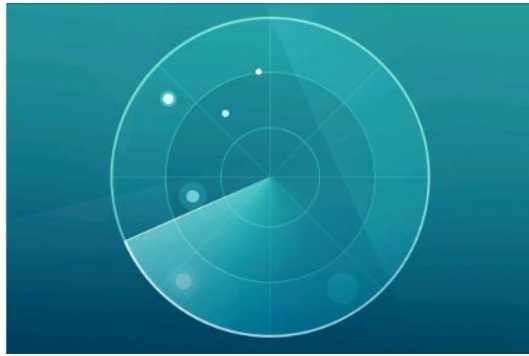


How to use

- 1) Phone settings-->More settings-->Backup & Reset--> Data Clone
- 2) Select the required replacement conditions

Virus Detection

All-round virus detection can make your phone more safer.



How to use

- 1) System Manager --> Virus detection
- 2) Choose Quick scan or Full scan

Power Manager

Extreme power saving, always in power.



How to use

- 1) System manager --> Power manager
- 2) Two power saving modes are available

Smart Eye Protection

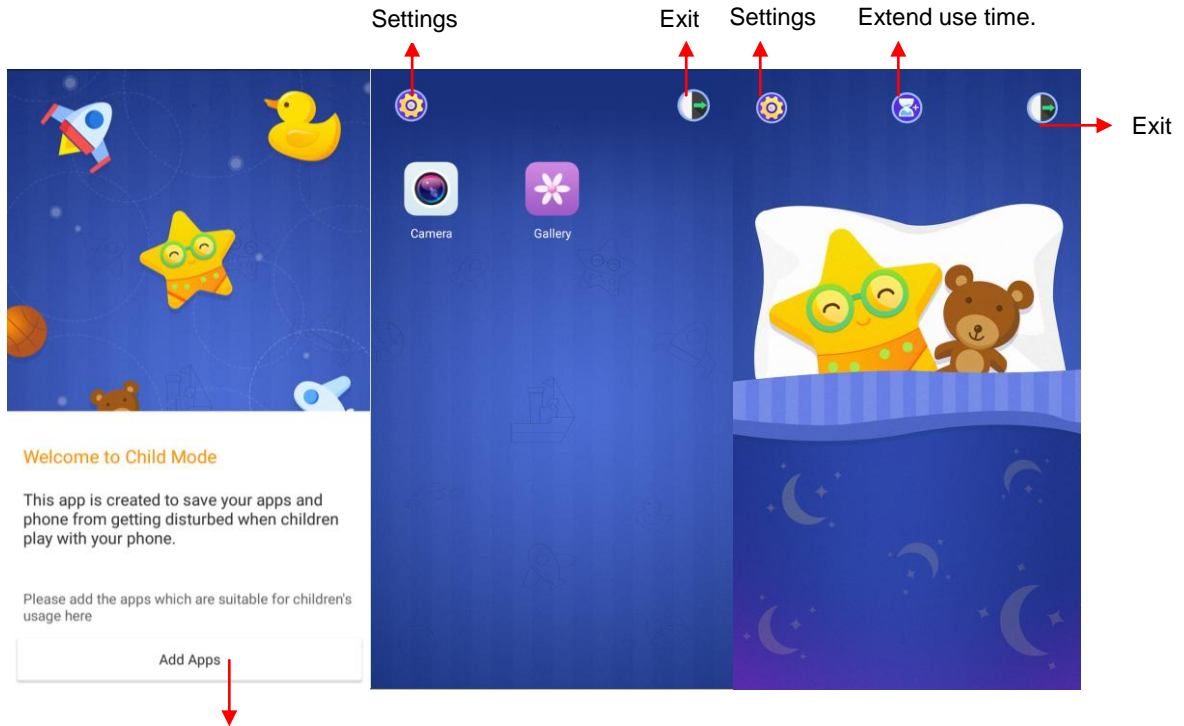
You can adjust brightness of mobile screen for the protection of your eyes according to you. **Settings --> Smart Eye Protection --> Select Enable now**

Fingerprint Shutter

In Camera mode, you can take photos by touching fingerprint sensor .It's easy for you to take more photos.

Child Mode

It's an exclusive place for children. As a parent, you can manage the applications and set up the limit usage time with a password.



Add Applications for setting up.

9. Operation

Smart gestures

Settings-->More settings--> Smart gestures to turn it on.

The smart gestures system supports a variety of experience and control, through gesture can be more convenient operation, some of the smart gesture functions will not work while flip cover is closed.

- Smart dial

Settings--> More settings --> Smart gestures --> Select Smart dial

In message content page, contacts detail page or call history details page, dial the number automatically by taking the phone to your ear.

In contact detail page, directly dial the first number if you have many numbers.

In dual card mobile phones, please set default dial card from Settings-Dual SIM setting-Default call at first.



- Smart answer

Settings--> More settings --> Smart gestures -->Select Smart answer

Take the phone to your ear so it will answer the incoming call automatically.

①

②



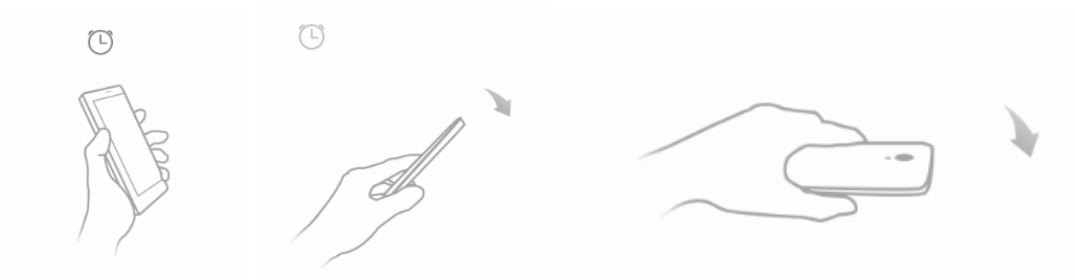
- Pause alarm

Settings--> More settings --> Smart gestures -->Select Pause alarm

Flip back the phone to pause an on-going alarm.

①

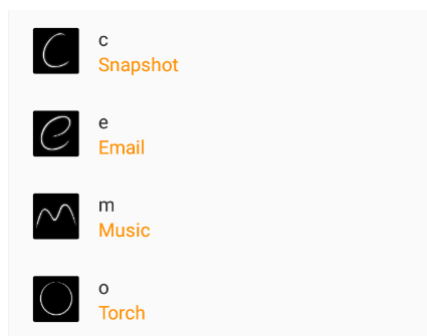
②



- Black screen gestures

Settings--> More settings --> Smart gestures --> Select Black screen gestures

Draw pattern to access menu quickly while phone is on sleep mode.



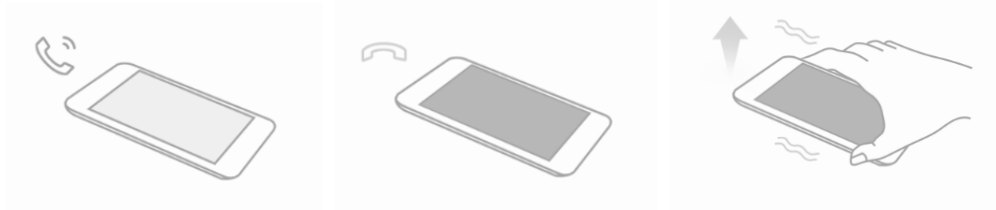
- Smart Vibration Reminder

Settings--> More settings --> Smart Gestures -->Select Smart Vibration Reminder

When the phone has missed call or unread SMS, pick up it in sleep screen will vibrate to remind again.


①

②



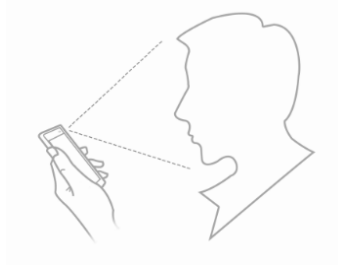
- Smart bright screen

Settings--> More settings --> Smart gestures-->Select Smart bright screen

When front camera detects you are viewing screen, the screen will be maintained normally. When you enable this function, the status bar will display this icon .

The following scenario, the function may fail:

- User doesn't face on the screen
- The light is too strong or too dark
- Front camera is used by other applications



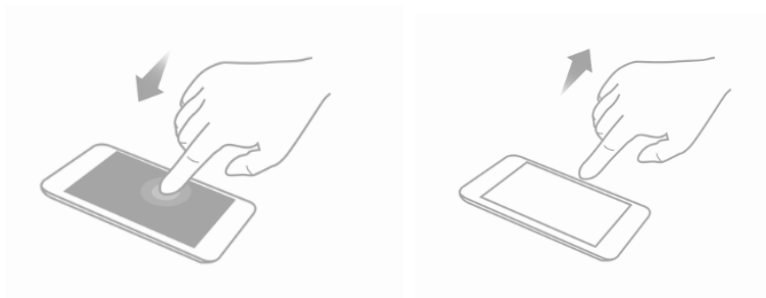
- Double click wake up

Settings--> More settings --> Smart gestures -->Select Double click wake up

When the screen is in sleep mode, quick double tap to wake up the phone.

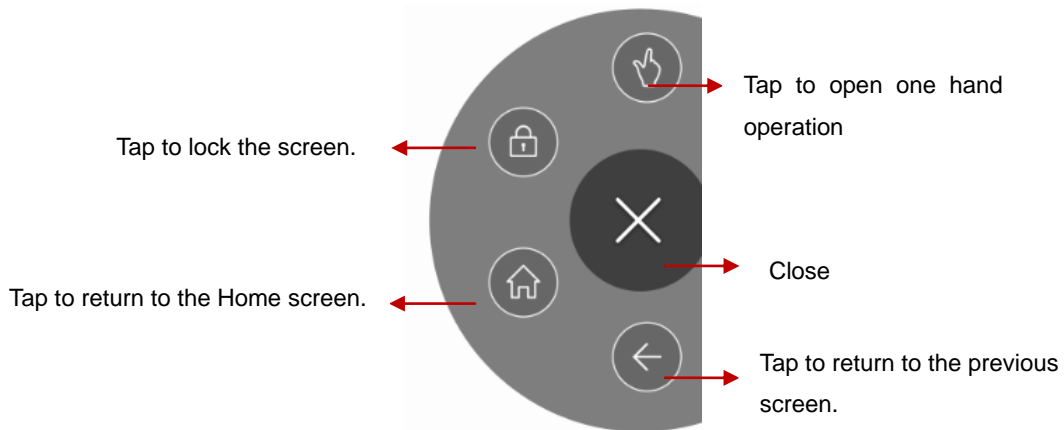
①

②



- **Suspend option**

Long press can be hidden in the notification bar. Operation the suspend button, achieved to return, sleep and so on.



10. Warnings and notes

Operational Warnings

IMPORTANT INFORMATION ON SAFE AND EFFICIENT OPERATION. Read this information before using your phone. For the safe and efficient operation of your phone, observe these guidelines:

Potentially explosive at atmospheres: Turn off your phone when you are in any areas with a potentially explosive atmosphere, such as fueling areas (gas or petrol stations, below deck on boats), storage facilities for fuel or chemicals, blasting areas and areas near electrical blasting caps, and areas where there are chemicals or particles (Such as metal powders, grains, and dust) in the air.

Interference to medical and personal Electronic Devices: Most but not all electronic equipment is shielded from RF signals and certain electronic equipment may not be shielded against the RF signals from your phone.

Audio Safety: This phone is capable of producing loud noises which may damage your hearing. When using the speaker phone feature, it is recommended that you place your phone at a safe distance from your ear.

Other Medical Devices, hospitals: If you use any other personal medical device, consult the manufacturer of your device to determine if it is adequately shielded from external RF energy. Your physician may be able to assist you in obtaining this information. Turn your phone OFF in health care facilities when any regulations posted in these areas instruct you to do so. Hospitals or health care facilities may be using equipment that could be sensitive to external RF energy.

Product statement on handling and use: You alone are responsible for how you use your phone and any consequences of its use.

You must always switch off your phone wherever the use of a phone is prohibited. Use of your phone is subject to safety measures designed to protect users and their environment. Always treat your phone and its accessories with care and keep it in a clean and dust-free place.

Do not expose your phone or its accessories to open flames or lit tobacco products.

Do not expose your phone or its accessories to liquid, moisture, or high humidity.

Do not drop, throw, or try to bend your phone or its accessories.

Do not use harsh chemicals, cleaning solvents, or aerosols to clean the device or its accessories.

Do not attempt to disassemble your phone or its accessories; only authorized personnel can do so.

Do not expose your phone or its accessories to extreme temperatures, minimum 32°F and maximum 113°F (0°C to 45°C).

Battery: Your phone includes an internal lithium-ion or lithium-ion polymer battery. Please note that use of certain data applications can result in heavy battery use and may require frequent battery charging. Any disposal of the phone or battery must comply with laws and regulations pertaining to lithium-ion or lithium-ion polymer batteries.

Faulty and damaged products: Do not attempt to disassemble the phone or its accessory. Only qualified personnel can service or repair the phone or its accessory. If your phone or its accessory has been submerged in water, Punctured, or subjected to a severe fall, do not use it until you have taken it to be checked at an authorized service center.

FCC Warning:

This device complies with part 15 of the FCC Rules. Operation is subject to the following two conditions: (1) This device may not cause harmful interference, and (2) this device must accept any interference received, including interference that may cause undesired operation.

Any Changes or modifications not expressly approved by the party responsible for compliance could void the user's authority to operate the equipment.

This equipment has been tested and found to comply with the limits for a Class B digital device, pursuant to part 15 of the FCC Rules. These limits are designed to provide reasonable protection against harmful interference in a residential installation. This equipment generates uses and can radiate radio frequency energy and, if not installed and used in accordance with the instructions, may cause harmful interference to radio communications. However, there is no guarantee that interference will not occur in a particular installation. If this equipment does cause harmful interference to radio or television reception, which can be determined by turning the equipment off and on, the user is encouraged to try to correct the interference by one or more of the following measures:

- Reorient or relocate the receiving antenna.
- Increase the separation between the equipment and receiver.
- Connect the equipment into an outlet on a circuit different from that to which the receiver is connected.
- Consult the dealer or an experienced radio/TV technician for help.

The SAR limit of USA (FCC) is 1.6 W/kg averaged over one gram of tissue.

Device types Doppio SL505 (FCC ID: N2GSL505) has also been tested against this SAR limit. The highest reported SAR values for head, body-worn accessory are 0.73 W/kg, 0.65 W/kg respectively. The Max simultaneous SAR is 0.94 W/kg. This device was tested for typical body-worn operations with the back of the handset kept 10mm from the body. To maintain compliance with FCC RF exposure requirements, use accessories that maintain a 10mm separation distance between the user's body and the back of the handset. The use of belt clips, holsters and similar accessories should not contain metallic components in its assembly. The use of accessories that do not satisfy these requirements may not comply with FCC RF exposure requirements, and should be avoided.

The antenna(s) used for this transmitter must not be co-located or operating in conjunction with any other antenna or transmitter.